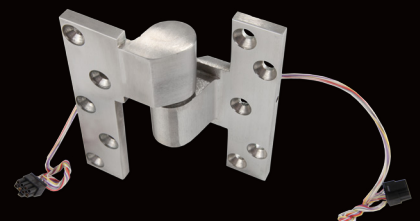
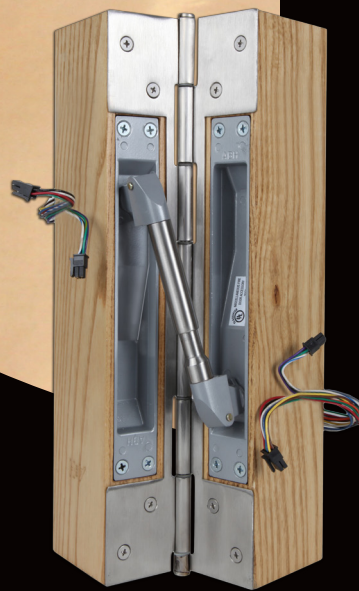




Manufacturing, Inc.



- Overhead Holders & Stops
- Hospital Push/Pull Latches
- Electro-Magnetic Door Holders
- Aluminum Continuous Geared Hinges
- Stainless Steel Continuous Pin & Barrel Hinges
- Stainless Steel Edge Guards
- Pivots & Pivot Sets
- Rescue Hardware
- Coordinators, Flush Bolts & Roller Latches
- Slide Bolts, Surface Bolts & Miscellaneous Products



Electrical Power Transfer Products

Electrical Power Transfer Products Cross Reference Chart

Type	ABH*	Von Duprin*	ASSA Abloy*		Dorma*
			Securitron*	Adams Rite*	
PT	PT1000	EPT-10	CEPT-10	-	-
	PT200	EPT-2	-	-	-
Ethernet Cable	PTC5E	-	CEPT-C5E	-	-
105° Door Swing	PT105	-	SEPT	-	ES105
	PTR105	-	EPT	4612-1	-
180° Door Swing	PT180	-	-	-	-
	PTR180	-	EPTL	4612-2	-
Molex® Connectors	"EZ" Option	-	EL	-	-

Electrified Pivots Cross Reference Chart

Type	ABH*	Rixson*	Ives*	Dorma*
Intermediate, ¾" Offset - (8) 30 AWG Wires	E019	EM19	7215PT INT 7226PT INT 7227PT INT	75200
Intermediate, ¾" Offset - Large Inrush (2) 18 AWG Wires	E019U	EM19U	-	-
Intermediate, ¾" Offset - Monitor Switch	CM019	CSM19	-	-
Intermediate, ¾" Offset - Monitor Switch and (8) 30 AWG Wires	CME019	CSEM19	-	-
Intermediate, 1-½" Offset - (8) 30 AWG Wires	E019-1.5	EM19 x 1-½ OS	-	-
Center Hung Top Pivot, Medium Duty - (8) 30 AWG Wires	E0320	-	-	-
Center Hung Top Pivot, Heavy Duty - (8) 30 AWG Wires	E0340	EH340	-	E8062
Center Hung Top Pivot, Extra Heavy Duty - (8) 30 AWG Wires	E0345	EH345	-	-
Center Hung Pivot Set, Heavy Duty - Top Pivot with (8) 30 AWG Wires	E0370	-	-	-
Pocket Pivot - (8) 30 AWG Wires	E0519	EF519	91105FPT	-
Intermediate, ¾" Offset - For Lead-lined Doors	EL019	EML19	-	-

*Brand names are trademarks or registered trademarks of their respective companies.

Table of Contents

PT1000	E-2
PT200	E-2
PT5CE	E-2
PT6PLUS	E-2
PT105	E-3
PT180	E-3
PTR105	E-3
PTR180	E-3
Intermediate Pivots - Electrified	
E019	E-4
E019U	E-4
E019-1.5	E-5
EL019	E-5
Center Hung Top Pivots - Electrified	
E0320	E-6
E0340	E-6
E0345	E-6
Pocket Pivot - Electrified	
E0519	E-7
Continuous Hinges - Electrified	
PT	E-8
TW	E-8
EZ	E-8
CT	E-8
MT	E-8
Retrofit Electrified 4" Hinge Section	E-8



Electrical Power Transfer Units

Standard Features

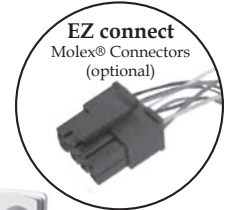
- PT1000, PT200, PTC5E and PTC6PLUS provide the means of transferring electrical power or data from the frame to the door in a secure and discreet manner
- PTC5E and PTC6PLUS are supplied with ethernet cable
- Unit mortises into the edges of the door and frame and is completely concealed when the door is in the closed position
- All metal construction including back boxes- **No plastic parts**
- Ideal for high abuse or heavy traffic situations
- UL/ULC Listed for use on fire doors
- Packaged individually with fasteners for wood or metal doors and frames
- **Standard Finishes:**
 - US28 - Brushed Aluminum
 - S5 - Powder Coated Dark Bronze to match US10B Finish
- Approximate shipping weight: 3 lbs.
- **Patent Pending**
- Matches competitors' door and frame prep

Standard applications:

- 1- $\frac{3}{4}$ " Door thickness
- Cam lift hinges (up to $\frac{1}{2}$ " lift) - allowing for 180° door swing
- Butt hinges up to 5" - allowing for 180° door swing
- 5 $\frac{1}{2}$ " butt hinges - allowing for 130° door swing
- 6" butt hinges - allowing for 110° door swing
- Up to $\frac{3}{4}$ " offset pivots - allowing for 180° door swing
- Not for use with swing clear hinges, pocket pivots, butt hinges larger than 6", 1- $\frac{1}{2}$ " offset pivots or center hung doors

Options

- **SEC** - Security Fasteners
- PT1000 & PT200 available with Molex® plug-in connectors option (suffix "EZ") - see picture inset



PT1000	- (10) 24 AWG Wires -Max. Rating: 24VDC, 1A
PT200	- (2) 18 AWG Wires -Max. Rating: 24 VDC, 5A or 120 VAC NEC Class 3
PTC5E	- (8) 24 AWG Wires & (1) 22 AWG Wire Stranded Ethernet Cable (1 - 100 MHz) -Max. Rating: 24 VDC, 1A
PTC6PLUS	- (8) 24 AWG Wires & (1) 22 AWG Wire Stranded Ethernet Cable (1 - 250 MHz) -Max. Rating: 24 VDC, 1A



PT105, PT180, PTR105 and PTR180

Standard Features

- These models provide housing for running wires from the frame to the door in a secure and discreet manner
- Stainless steel housing and spring conduit
- Spring conduit fits wire bundles up to 5/16" thick
- Shipping weight: 1 lb.
- Works with most butt hinges, continuous hinges and 3/4" offset pivots
- Standard finishes: US32D or US10B - Contact factory for custom finishes.

Options

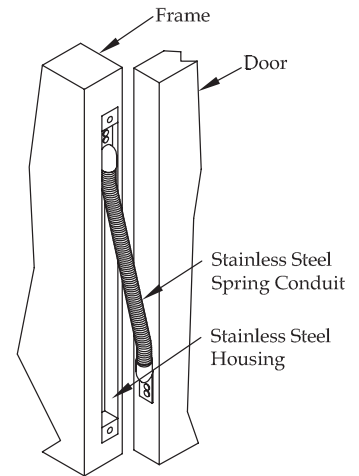
- **SEC** - Security Fasteners
- **SC** - For swing clear application (PT180 and PTR180 models only)
- **2WIRE** - Provided with (2) 18 AWG wires
- **10WIRE** - Provided with (10) 24 AWG wires
- **EZ** - EZ Connect Molex® Plug-in Connectors for installation ease

Models Available

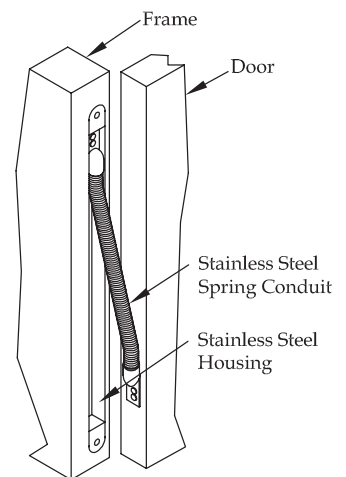
- **PT180** - 180° maximum door swing, square mounting tabs
- **PTR180** - 180° maximum door swing, round mounting tabs
- **PT105** - 105° maximum door swing, square mounting tabs
- **PTR105** - 105° maximum door swing, round mounting tabs



PT105
PT180



PTR105
PTR180

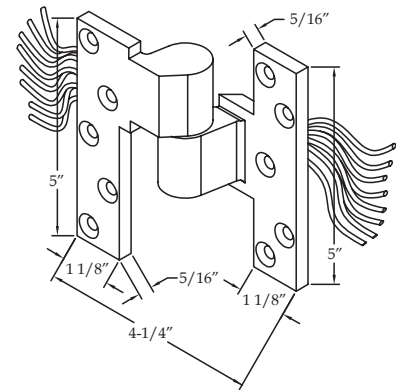


Intermediate Pivots - Electrified

E019 Intermediate Pivot - Electrified - 3/4" Offset

Standard Features

- Provides electrical power transfer from the frame to the door
 - (8) 30 AWG Wires
- Mortises into side jamb and hinge edge of door
- Handed - Specify LH or RH
- For use with 3/4" offset pivot sets
- UL listed for use on 3-hour fire rated doors - **Standard**
- Heavy duty stainless steel needle bearings
- Stainless steel base material



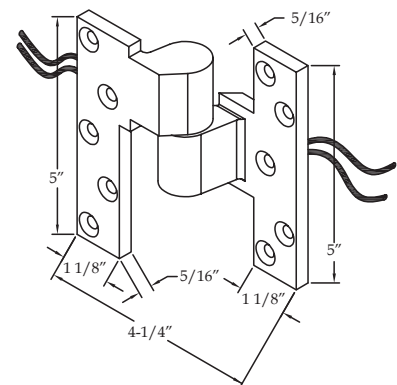
Options

- EZ - EZ Connect Molex[®] Connectors for installation ease
- SEC - Security fasteners

E019U Intermediate Pivot - Electrified - 3/4" Offset

Standard Features

- Provides electrical power transfer from the frame to the door
 - Large inrush current
 - (2) 18 AWG Wires
 - Each wire is rated at 2 amps continuously
- Mortises into side jamb and hinge edge of door
- Handed - Specify LH or RH
- For use with 3/4" offset pivot sets
- UL listed for use on 3-hour fire rated doors - **Standard**
- Heavy duty stainless steel needle bearings
- Stainless steel base material



Options

- EZ - EZ Connect Molex[®] Connectors for installation ease
- SEC - Security fasteners

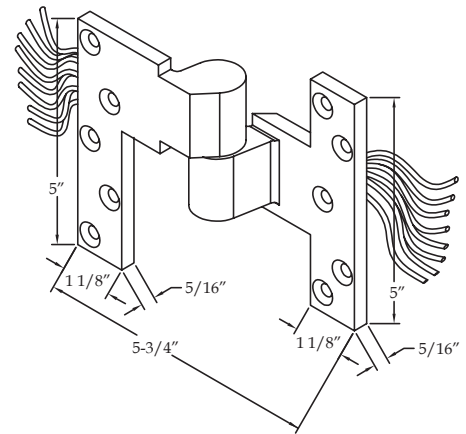


Intermediate Pivots - Electrified

E019-1.5 Intermediate Pivot - Electrified - 1-1/2" Offset

Standard Features

- Provides electrical power transfer from the frame to the door
 - (8) 30 AWG Wires
- Mortises into side jamb and hinge edge of door
- Handed - Specify LH or RH
- For use with 1-1/2" offset pivot sets
- UL listed for use on 3-hour fire rated doors - **Standard**
- Heavy duty stainless steel needle bearings
- Stainless steel base material



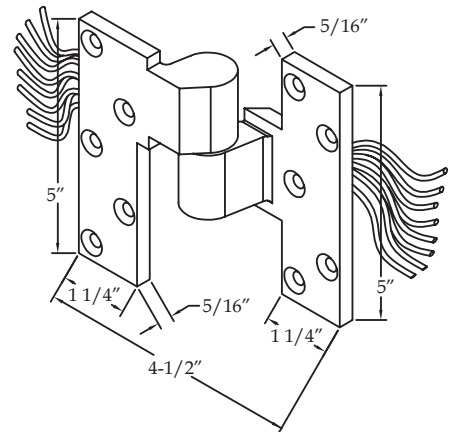
Options

- EZ - EZ Connect Molex[®] Connectors for installation ease
- SEC - Security fasteners

EL019 Intermediate Pivot - Electrified - 3/4" Offset

Standard Features

- Provides electrical power transfer from the frame to the door
 - (8) 30 AWG Wires
- Mortises into side jamb and hinge edge of door
- Handed - Specify LH or RH
- **For use with 3/4" offset lead-lined pivot sets**
- 1-3/4" lead-lined doors
- UL listed for use on 3-hour fire rated doors - **Standard**
- Heavy duty stainless steel needle bearings
- Stainless steel base material



Options

- EZ - EZ Connect Molex[®] Connectors for installation ease
- SEC - Security fasteners



Center Hung Top Pivots - Electrified

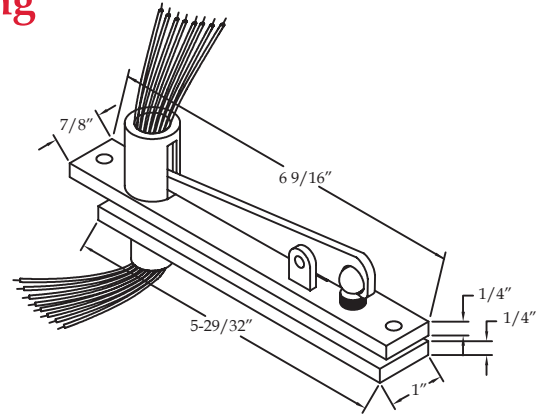
E0320 Top Pivot - Electrified - Center Hung

Standard Features

- Provides electrical power transfer from the frame to the door
 - (8) 30 AWG Wires
- Medium Duty
- Mortises into header and top of the door
- Dress plate provided for jamb portion
- Non-handed

Options

- EZ - EZ Connect Molex® Connectors for installation ease
- SEC - Security fasteners



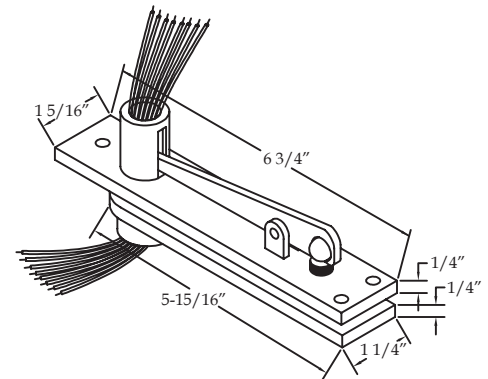
E0340 Top Pivot - Electrified - Center Hung

Standard Features

- Provides electrical power transfer from the frame to the door
 - (8) 30 AWG Wires
- Heavy duty
- Mortises into header and top of the door
- Dress plate provided for jamb portion
- Non-handed

Options

- EZ - EZ Connect Molex® Connectors for installation ease
- SEC - Security fasteners



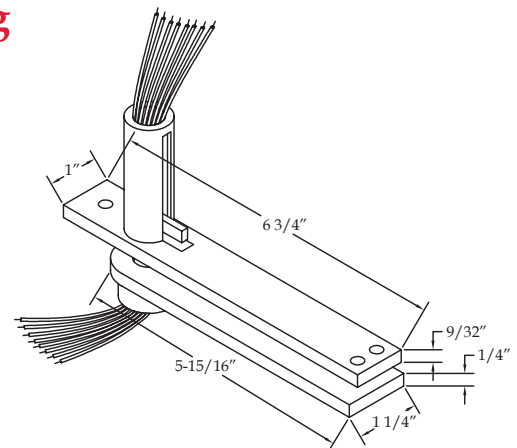
E0345 Top Pivot - Electrified - Center Hung

Standard Features

- Provides electrical power transfer from the frame to the door
 - (8) 30 AWG Wires
- Extra heavy duty
- Mortises into header and top of the door
- Dress plate provided for jamb portion
- Non-handed

Options

- EZ - EZ Connect Molex® Connectors for installation ease
- SEC - Security fasteners



Pocket Pivot - Electrified

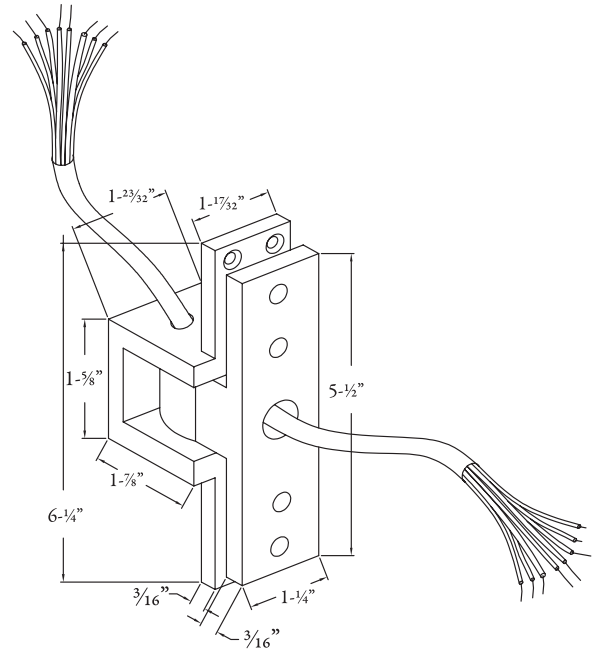
E0519 - Electrified Pocket Door Pivot

Standard Features

- Provides electrical power transfer from the frame to the door
 - (8) 30 AWG Wires
- For use with additional 0519 pocket pivots (non-electrified)
- Pivot point is located inside the frame
- Allows door to swing into a pocket in the frame at a right angle
- When the door is in the pocket, it is completely clear of the door opening and flush with adjacent wall
- Maximum door swing is 90°
- Maximum door load per pivot - 90 pounds
- Non-handed
- UL listed for use on 3-hour fire rated doors - **Standard**
- Heavy duty stainless steel needle bearings
- Stainless steel base material

Options

- **EZ** - EZ Connect Molex[®] Plug-inConnectors for installation ease
- **SEC** - Security fasteners



Electrified Continuous Hinges

ABH offers many options regarding electrifying continuous hinges. See catalog sections "F" and "G" or visit www.abhmfg.com for details.

PT – Cut-out Prep for Power Transfer

- Hinge is prepped for electrical power transfer unit (specify PT model being used and location on hinge)

TW – Concealed Electrical Thru-Wire

- Transfers power from the frame to the door in a discreet manner
 - **TW4** – (4) 30 AWG wires
 - **TW8** – (8) 30 AWG wires
 - **TW12** – (12) 30 AWG wires

EZ – Concealed Electrical Thru-Wire with EZ Connect

- Wires are supplied with Molex[®] Plug-in Connectors for installation ease
 - **EZ4** – (4) 30 AWG wires
 - **EZ8** – (8) 30 AWG wires
 - **EZ12** – (12) 30 AWG wires

CT – Concealed Electrical Monitor Switch and Thru-Wire (stainless steel hinge)

- Monitor switch is installed in the frame leaf to monitor the door position while the wires transfer power from the frame to the door
 - **CT4** – (4) 30 AWG wires
 - **CT8** – (8) 30 AWG wires
 - **CT12** – (12) 30 AWG wires

MT – Concealed Electrical Monitor Switch and Thru-Wire (aluminum hinge)

- Magnetic switch is installed in the frame leaf to monitor the door position while the wires transfer power from the frame to the door
 - **MT4** – (4) 30 AWG wires
 - **MT8** – (8) 30 AWG wires
 - **MT12** – (12) 30 AWG wires

Concealed Electrical Thru-Wire Section for Retro-fit

- For aluminum geared hinges only
- 4" section that is sold separately to retrofit to an existing opening
- Specify hinge model, finish and numbers of wires required (4, 8 or 12)
- Example part number: A110RC8



A500PT



A110PT



A500EZ8M
(moveable option shown)



A110EZ12



A110RC8

