

ABH[®]
MANUFACTURING INC.

PIVOTS & PIVOT SETS


















Mini Product Catalog



www.abhmfg.com
630-875-9900

Pivots & Pivot Sets

Table of Contents

	STANDARD FINISHES	1
	PIVOT CROSS REFERENCE CHART	2
	PIVOT TYPES, OPTIONS & PARTS	3
	PIVOTS & PIVOT SETS – ¾" & 1-½" OFFSET	
	0117, 0117.25	4
	0117.50, 0147	5
	0147-1.5, 0165	6
	0173, 0195	7
	0547, L0117	8
	L0147, CL0147	9
	EX0180, EXL0180	10
	INTERMEDIATE PIVOTS – ¾" & 1-½" OFFSET	
	019, 019-1.5	11
	L019, CL019	12
	INTERMEDIATE PIVOTS – ¾" & 1-½" OFFSET – ELECTRIFIED	
	CM019, CME019	13
	E019, EL019-1.5	14
	E019U, EL019	15
	EL019U	16
	CENTER HUNG PIVOTS	
	0117.75, 0127	17
	0128, 0327	18
	0370	19
	CENTER HUNG PIVOTS – ELECTRIFIED	
	E0117.75	19
	E0128, E0370	20
	CENTER HUNG TOP PIVOTS	
	0320, 0321	21
	0340, 0345	22
	CENTER HUNG TOP PIVOTS – ELECTRIFIED	
	CME0340, CME0345	23
	E0320, E0340	24
	E0345	25
	POCKET PIVOTS	
	0519, E0519	26
	REINFORCING PIVOT	
	0923, Handing Diagram	27

Standard Finishes

				ABH PRODUCTS																										
S - Standard C - Custom		ANSI #	Color Name	Door Pulls & Custom Pulls	Rescue Hardware	Electrical Power Transfers	Locking Ladder Pulls	Custom Strikes	Electromagnetic Door Holders	Surface Bolts, Slide Bolts, Vertical Rod Protectors & Covers	Roller Latches	Coordinators	Flush Bolts	Applied Stops, Pipe Stops	Overhead Holders & Stops	Hospital Push/Pulls	Cam Lift Hinges & Specialty Hinges	Custom Slim Line Pivots	Pivots & Pivot Sets	Stainless Steel Door-Edge Guards	Stainless Steel Pin & Barrel Continuous Hinges	Aluminum Geared Hinges								
PLATED FINISHES	S	US3	605/632	BRIGHT BRASS	•	•		•	•	•			•	•	•	•	•	•	•	•	•									
	S	US4	606/633	SATIN BRASS	•	•		•	•	•				•	•	•	•	•	•	•	•	•								
	C	US5	609/638	BRASS SATIN OXIDIZED	•	•		•	•	•						•	•	•	•	•	•	•								
	S	US9	611	BRIGHT BRONZE - CLEAR COATED	•	•		•	•	•						•	•	•	•	•	•	•	•							
	S	US10	612/639	SATIN BRONZE	•	•		•	•	•				•	•	•	•	•	•	•	•	•	•							
	C	US10A	641	ANTIQUÉ BRONZE LACQUERED	•	•		•	•	•						•	•	•	•	•	•	•	•							
	S	US10B	613/640	BRONZE OILED	•	•		•	•	•				•	•	•	•	•	•	•	•	•	•							
	C	US14	618	BRIGHT NICKEL (US32)	•	•		•	•	•						•	•	•	•	•	•	•	•							
	C	US14B	-	BRIGHT BLACK NICKEL	•	•		•	•	•						•	•	•	•	•	•	•	•							
	C	US15	619/646	SATIN NICKEL	•	•		•	•	•						•	•	•	•	•	•	•	•							
	C	US15A	620/647	SATIN NICKEL ANTIQUE OXIDIZED	•	•		•	•	•						•	•	•	•	•	•	•	•							
	C	US17A	621	SATIN BLACK NICKEL CLEAR COAT	•	•		•	•	•						•	•	•	•	•	•	•	•							
	S	US26	625/651	BRIGHT CHROME (US32)	•	•		•	•	•						•	•	•	•	•	•	•	•							
	C	US26D	626/652	SATIN CHROME (US32D)	•	•		•	•	•				•	•	•	•	•	•	•	•	•	•							
	S	US32D	630	SATIN STAINLESS STEEL	•	•		•	•	•				•	•	•	•	•	•	•	•	•	•	•						
S	US32	-	BRIGHT STAINLESS	•	•		•	•	•				•	•	•	•	•	•	•	•	•	•	•							
S	USP	600	PRIME COAT	•	•		•	•	•						•	•	•	•	•	•	•	•	•							
COATED FINISHES	S	S1	-	PAINTED ALUMINUM	•	•	•	•	•	•					•	•	•	•	•	•	•	•	•							
	S	S2	695	PAINTED BRASS	•	•	•	•	•	•					•	•	•	•	•	•	•	•	•	•						
	S	S3	694	PAINTED BRONZE	•	•	•	•	•	•					•	•	•	•	•	•	•	•	•	•						
	S	S4/BSP	693	BLACK SUEDE POWDER COATING	•	•	•	•	•	•				•	•	•	•	•	•	•	•	•	•	•	•					
	S	S5	695	PAINTED DARK BRONZE	•	•	•	•	•	•					•	•	•	•	•	•	•	•	•	•	•					
	S	S8/WSP	-	WHITE SUEDE POWDER COATING	•	•	•	•	•	•				•	•	•	•	•	•	•	•	•	•	•	•					
	S	AM	-	CRYSTAL CLEAR - ANTI-MICROBIAL	•	•	•	•	•	•					•	•	•	•	•	•	•	•	•	•	•					
ANODIZED FINISHES	S	C	-	CLEAR ANODIZED (US28)			•		•		•													•						
	C	ABH	-	CHAMPAGNE ANODIZED																					•					
	C	ABH	-	LIGHT BRONZE ANODIZED																						•				
	C	ABH	-	MEDIUM BRONZE ANODIZED																							•			
	S	D	-	DARK BRONZE ANODIZED																							•			
	C	ABH	-	STAT BRONZE ANODIZED																								•		
	S	B	-	BLACK ANODIZED																								•		
	C	ABH	-	GOLD ANODIZED																									•	
	C	ABH	-	CUSTOM ANODIZED FINISHES																									•	

*** Custom Finishes Available - Contact Factory**

ABH® reserves the right to make changes or improvements in design, material, parts or specifications, and "discontinue" without notice.

Pivot - Cross Reference Chart

Type	ABH	Rixson*	Ives*	Dorma*	ANSI/BHMA*	McKinney	Stanley	Markar
3/4" Offset Pivots								
	0117	117 F117	-	OP440 OP440F	C07162 C07202	-	-	-
	0117.25	117-1/4	7212 SET	-	C07172	-	-	-
	0117.50	117-1/2 F117-1/2	7227 SET 7227F SET	OPH750 OPH750F	C07121 C07202	-	-	-
	0147	147 F147	7226 SET 7226F SET	-	C07162 C07202	-	-	-
	0165	165	-	-	C07162(mod)	-	-	-
	0173	173	7222	-	C07162	-	-	-
	0180	180 F180 180-20 H180 H180-20 FH180	7212 TOP 7215 TOP 7215F/7222 7226 TOP 7226F TOP 7227 TOP 7227F TOP	75220	C07321 C07371	-	-	-
	0195	195 F195	7215 SET 7215F SET	OPJ350	C07131	-	-	-
	0547	547, F547	-	-	C07162 (mod)	-	-	-
	L0117	L117 FL117	7237F SET	OPL800	C07111	-	-	-
	L0147	L147 FL147	7230F SET	OPL440	C07162 C07202	-	-	-
	CL0147	-	-	-	-	-	-	-
	L0180	L180, FL180	7230F TOP	75140	-	-	-	-
	EX0180	-	-	-	-	-	-	-
	EXL0180	-	-	-	-	-	-	-
1-1/2" Offset Pivots								
	0147-1.5	147 x 1-1/2 OS F147 x 1-1/2 OS	7244F SET	OP15200	C07162	-	-	-
	0180-1.5	180 x 1-1/2 OS F180 x 1-1/2 OS H180 x 1-1/2 OS	7244F TOP 7245F TOP	15120	-	-	-	-
Intermediate	019-1.5	M19 x 1-1/2 OS OS-20 FM19 x 1-1/2 OS	7244F INT 7245F INT	15220	C07321 C07371	-	-	-
Offset Intermediate Pivots								
3/4" Offset	019	M19 M19-20 FM19 M190-20 FM190	7215 INT 7215F INT 7226 INT 7226F INT 7227 INT 7227F INT	751 20	-	-	-	-
3/4" Offset	L019	ML19 FML19	7230F INT 7237F INT	75240	C07311	-	-	-
3/4" Offset	CL019	-	-	-	-	-	-	-
Offset Intermediate, Electrified Pivots								
Intermediate, 3/4" Offset, Concealed, Monitoring Switch Only (No Power Transfer)	CM019	CSM19	-	-	-	-	-	-
Intermediate, 3/4" Offset, Monitoring Switch & (8) 30 AWG Wire Power Transfer	CME019	CSEM19	-	-	-	-	-	-
Intermediate, 3/4" Offset, (8) 30 AWG Wire Power Transfer	E019	EM019	7215PT INT 7226PT INT 7227PT INT	-	C07111	-	-	-
Intermediate, 1-1/2" Offset, Large Inrush, (8) 30 AWG Wire Power Transfer	E019-1.5	EM19 X 1-1/2 OS	-	-	-	-	-	-
Intermediate, 3/4" Offset, Large Inrush, (2) 18 AWG Wire Power Transfer	E019U	EM019U	-	-	-	-	-	-
Intermediate 3/4" Offset, Use for Lead-Lined Doors, (8) 30 AWG Wire Power Transfer	EL019	EML19	-	-	-	-	-	-
Intermediate, 3/4" Offset, (2) 18 AWG Wire Power Transfer	EL019U	-	-	-	-	-	-	-
Center Hung Pivots								
	0117.75	117-3/4	-	-	-	-	-	-
	0127	127-3/4	7255J SET	-	C07042	-	-	-
	0128	128-3/4	-	-	C07032	-	-	-
	0320	320	-	-	-	-	-	-
	0321	-	-	-	-	-	-	-
	0327	-	-	-	-	GP-SJ	DAP-3	-
	0340	340	7253 TOP 7255 TOP 7255J TOP 7256 TOP	-	-	-	-	-
	0345	345	-	-	-	-	-	-
	0370	370	7255 SET	CP440 CPA440	C07032	-	-	-
Center Hung, Electrified Pivots								
Center Hung, Bottom Pivot, Up to 600 lbs.	E0117.75	-	-	-	-	-	-	-
Center Hung, Bottom Pivot, Up to 500 lbs.	E0128	-	-	-	-	-	-	-
Center Hung, Top Pivot, Medium Duty, (8) 30 AWG Wire Power Transfer	E0320	-	-	-	-	-	-	-
Center Hung, Top Pivot, Heavy Duty, (8) 30 AWG Wire Power Transfer	E0340	EH340	-	-	E8062	-	-	-
Center Hung, Bottom Pivot, Heavy Duty, up to 500 lbs	E0370	-	-	-	-	-	-	-
Center Hung - Top Pivot Only, Monitoring Switch, (8) 30 AWG Wire Power Transfer	CME0340	-	-	-	-	-	-	-
Center Hung Top Pivot, Extra Heavy Duty, Monitoring Switch (8) 30 AWG Wire Power Transfer	CME0345	EH345	-	-	-	-	-	-
Pocket Pivots								
	0519	F519	-	-	-	-	-	-
Pocket Pivot, Electrified - (8) 30 AWG Wires	E0519	EF519	91105FPT	-	-	-	-	-
Reinforcing Pivot - Non-Handed								
	0923	-	-	-	-	-	-	B1923

* Brand names are trademarks or registered trademarks of their respective companies.

Pivot Types, Options & Parts

Offset Pivots

- Offset equals the dimension from the face of door to the pivot point
- Pivot point is $\frac{3}{4}$ " from heel edge of door
- For single-acting doors only

Center Hung Pivots

- Pivot point is centered in thickness of the door
- **Does not return to center (not spring loaded)**
- For use on double-acting doors, unless the door is stopped by a door stop mounted to the frame (cased opening frames)

Pocket Pivots

- Pivot point is located inside the frame
- Maximum door swing is 90°
- Door is completely clear of the door opening and flush with adjacent wall when open in the pocket

Reinforcing Pivots

- Used with other hinges to alleviate door sag in existing openings
- Surface mounts to the face of the frame header and the face of the door
- For use on $\frac{1}{8}$ " inset doors with $\frac{3}{4}$ " offset
- Non-handed

Parts – Screw Packs - Specify the following when ordering:

- "Screw Pack" followed by Pivot Model
- Finish
- Door material & frame material
- Example: Screw Pack - 019S-US32D x MDMF
- Use suffix "SEC" if security fasteners are required

Options

- **EZ Connect (Suffix "EZ")** – Eliminate the hassle of matching wires by adding Molex® Plug-in Connectors to electrified pivots.
- **Bottom Pivot Only (Suffix "B")** – For instances when only the pivot bottom is needed in the set.
- **Security Fasteners (Suffix "SEC")** – Pin-in Torx fasteners are supplied in lieu of standard for all exposed fasteners. **Specify frame and door material.**
- **Extended Spindle (Suffix "EXT-SPIN")** – Extended spindle for the bottom pivot is provided when additional clearance is required between the finished floor and the bottom of the door.

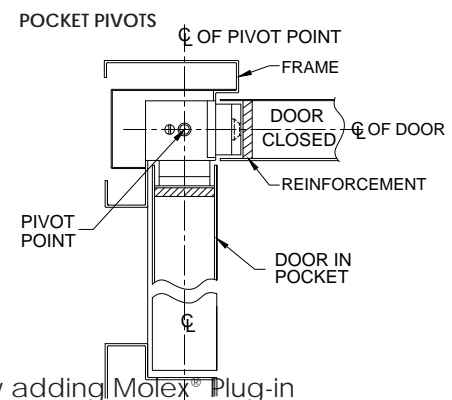
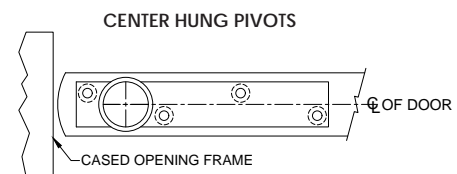
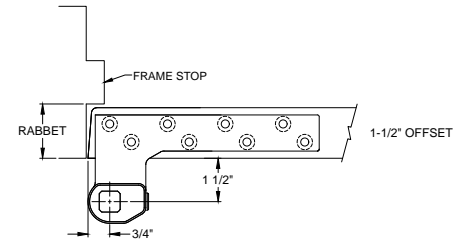
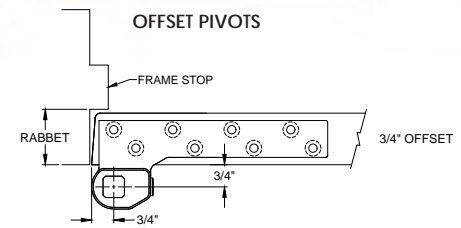
*Available in $\frac{1}{8}$ " increments up to 2" longer than standard – specify additional clearance required

- **Extended Pin (Suffix "EXT-PIN")** – Extended pin for top pivot is provided when additional clearance is required between the soffit and the top of the door.

*Available in $\frac{1}{8}$ " increments up to $\frac{3}{4}$ " longer than standard - specify additional clearance required

- **12 WIRE** - (12) 30 AWG Wires provided instead of (8) on Electrified Pivots

3

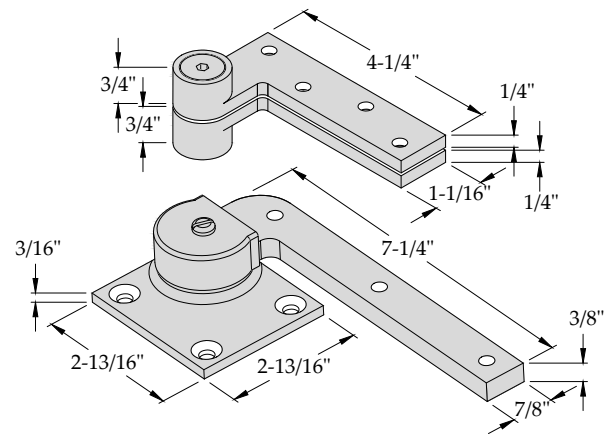


0117 Pivot Set - 3/4" Offset

Meets or Exceeds ANSI C07162 & C07202

Standard Features

- **0180 Top Pivot**
 - Frame leaf mortises into header
 - Door leaf mortises into top of door
- **0117B Bottom Pivot**
 - Base leaf mortises into floor
 - Door leaf mortises into bottom of door
- Handed – Specify LH or RH
- **Maximum door load – 300 lbs**
- Maximum door width – 42"
- UL listed for use on 3-hour fire rated doors – **Standard**
- Heavy duty bearings
- Stainless steel base material



Options

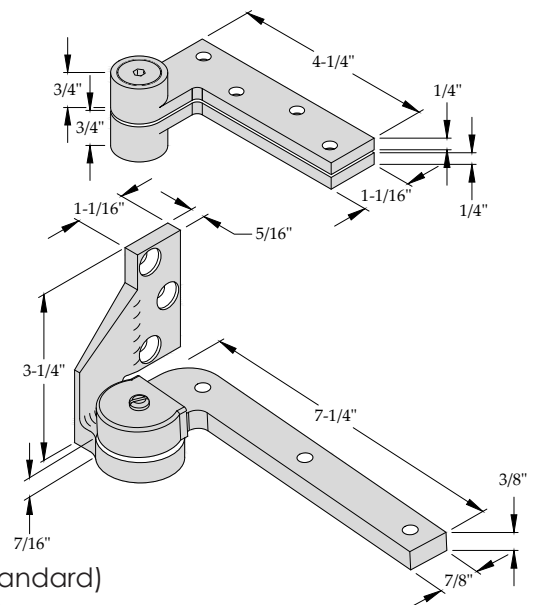
- **EXTS** – Extended Spindle on bottom pivot (up to 2" longer than standard)
- **EXTP** – Extended Pin on top pivot (up to 3/4" longer than standard)
- **SEC** – Security fasteners
- **B** – Bottom pivot only (no top pivot)

0117.25 Pivot Set - 3/4" Offset

Meets or Exceeds ANSI C07172

Standard Features

- **0180 Top Pivot**
 - Frame leaf mortises into header
 - Door leaf mortises into top of door
- **0117.25B Bottom Pivot**
 - Base leaf mortises into side jamb and rest on floor
 - Door leaf mortises into bottom of door
- Handed – Specify LH or RH
- **Maximum door load – 250 pounds**
- Maximum door width – 42"
- UL listed for use on 3-hour fire rated doors -**Standard**
- Heavy duty bearings
- Stainless steel base material



Options

- **EXTS** – Extended Spindle on bottom pivot (up to 2" longer than standard)
- **EXTP** – Extended Pin on top pivot (up to 3/4" longer than standard)
- **SEC** – Security fasteners
- **B** – Bottom pivot only (no top pivot)

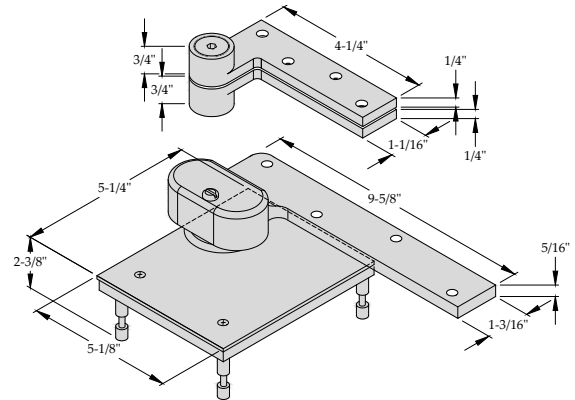
Offset Pivots & Pivot Sets

0117.50 Pivot Set - 3/4" Offset

Meets or Exceeds ANSI C07121 & C07202

Standard Features

- **0180 Top Pivot**
 - Frame leaf mortises into header
 - Door leaf mortises into top of door
- **0117.50B Bottom Pivot**
 - Base leaf mortises into floor
 - Door leaf mortises into bottom of door
- Handed – Specify LH or RH
- **Maximum door load – 650 lbs**
- Maximum door width – 48"
- UL listed for use on 3-hour fire rated doors -**Standard**
- Heavy duty bearings
- Stainless steel base material



Options

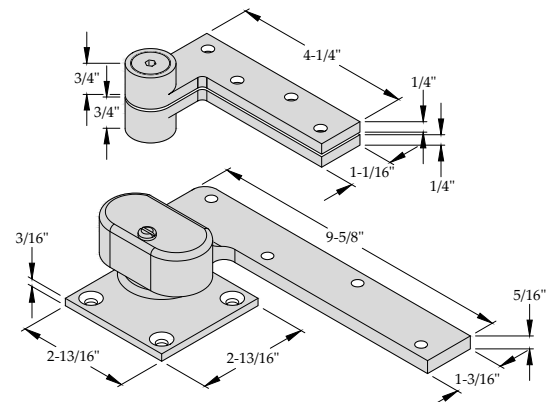
- **EXTS** – Extended Spindle on bottom pivot (up to 2" longer than standard)
- **EXTP** – Extended Pin on top pivot (up to 3/4" longer than standard)
- **SEC** – Security fasteners
- **B** – Bottom pivot only (no top pivot)

0147 Pivot Set - 3/4" Offset

Meets or Exceeds ANSI C07162 & C07202

Standard Features

- **0180 Top Pivot**
 - Frame leaf mortises into header
 - Door leaf mortises into top of door
- **0147B Bottom Pivot**
 - Base mounts to top of finished floor
 - Door leaf mortises into bottom of door
- Handed – Specify LH or RH
- **Maximum door load - 600 lbs**
- Maximum door width – 48"
- UL listed for use on 3-hour fire rated doors -**Standard**
- Heavy duty bearings
- Stainless steel base material



Options

- **EXTS** _ Extended Spindle on bottom pivot (up to 2" longer than standard)
- **EXTP** _ Extended Pin on top pivot (up to 3/4" longer than standard)
- **SEC** – Security fasteners
- **B** – Bottom pivot only (no top pivot)

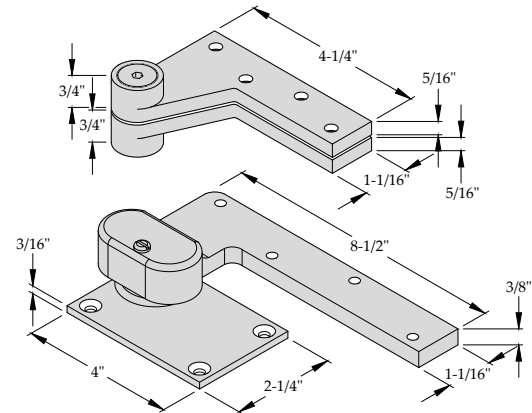
Offset Pivots & Pivot Sets

0147-1.5 Pivot Set - 1 1/2" Offset

Meets or Exceeds ANSI C07162 (modified)

Standard Features

- **0180-1.5 Top Pivot**
 - Frame leaf mortises into header
 - Door leaf mortises into top of door
- **(2) 0147-1.5B Intermediate Pivots**
 - Base mounts to top of finished floor
 - Door leaves mortise into side of door
- Handed – Specify LH or RH
For doors without bottom pivot or using floor closer
- **Maximum door load – 350 lbs**
- Maximum door width – 42"
- Heavy duty stainless steel needle bearings
- Stainless steel base material
- UL Listed



Options

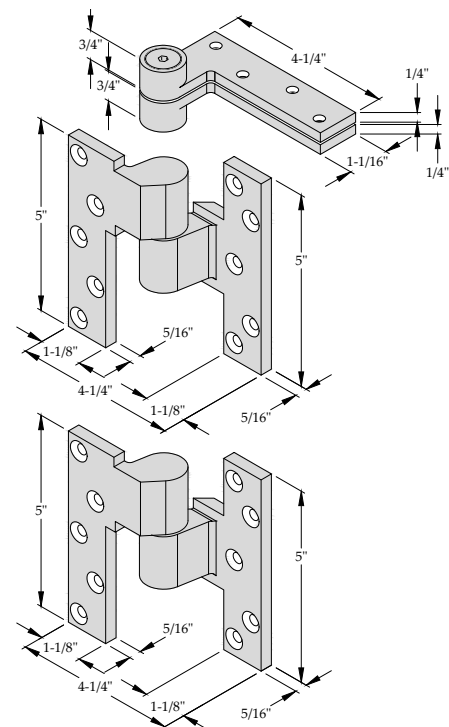
- **EXTS** – Extended Spindle on bottom pivot (up to 2" longer than standard)
- **EXTP** – Extended Pin on top pivot (up to 3/4" longer than standard)
- **SEC** – Security fasteners
- **B** – Bottom pivot only (no top pivot)

0165 Pivot Set - 3/4" Offset

Meets or Exceeds ANSI C07162 (modified)

Standard Features

- **0180 Top Pivot**
 - Frame leaf mortises into header
 - Door leaf mortises into top of door
- **(2) 019 Intermediate Pivots**
 - Frame leaves mortise into side jamb
 - Door leaves mortise into side of door
- Handed – Specify LH or RH
For doors without bottom pivot or using floor closer
- **Maximum door load – 300 lbs**
- Maximum door width – 42"
- Heavy duty stainless steel needle bearings
- Stainless steel base material



Options

- **EXTP** – Extended Pin on top pivot (up to 3/4" longer than standard)
- **SEC** – Security fasteners

Offset Pivots & Pivot Sets

0173 Pivot Set - 3/4" Offset

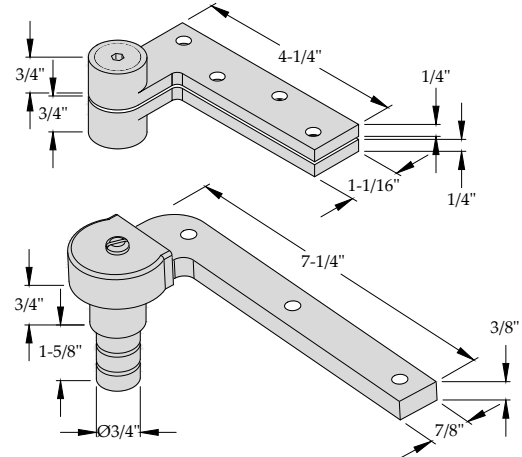
Meets or Exceeds ANSI C07162 (modified)

Standard Features

- (2) 019 Intermediate Pivots
 - Frame leaves mortise into side jamb
 - Door leaves mortise into hinge edge of door
- 0173B Bottom Pivot
 - Pivot Stud mortises into floor
 - Door leaf mortises into bottom of door
- Handed – Specify LH or RH
- For doors using Overhead Concealed Closers
- **Maximum door load – 150 lbs**
- Maximum door width – 42"
- Heavy duty bearings
- Stainless steel base material

Options

- EXTP – Extended Spindle on top pivot (up to 2" longer than standard)
- SEC – Security fasteners
- B – Bottom pivot only (no top pivot)



0195 Pivot Set - 3/4" Offset

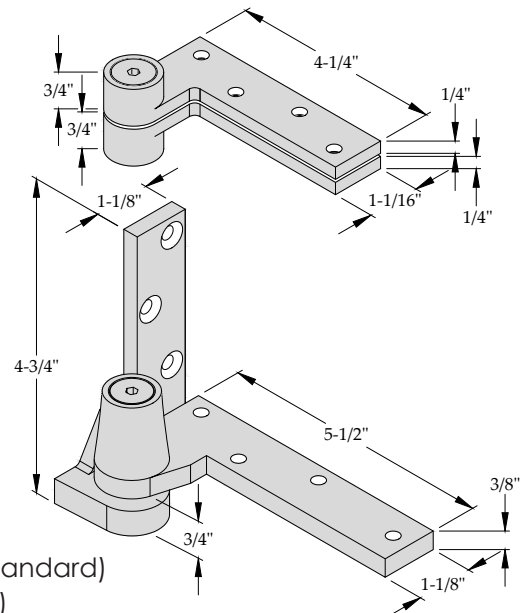
Meets or Exceeds ANSI C07131

Standard Features

- 0180 Top Pivot
 - Frame leaf mortises into header
 - Door leaf mortises into top of door
- 0195B Bottom Pivot
 - Bottom leaf mortise into side jamb and rest on floor
 - Door leaf mortises into bottom of door
- Handed – Specify LH or RH
- **Maximum door load - 450 lbs**
- Maximum door width – 48"
- UL listed for use on 3-hour fire rated doors -**Standard**
- Heavy duty stainless steel needle bearings
- Stainless steel base material

Options

- EXTS – Extended Spindle on bottom pivot (up to 2" longer than standard)
- EXTP – Extended Pin on top pivot (up to 3/4" longer than standard)
- SEC – Security fasteners
- B – Bottom pivot only (no top pivot)



Offset Pivots & Pivot Sets

0547 Pivot Set - 3/4" Offset

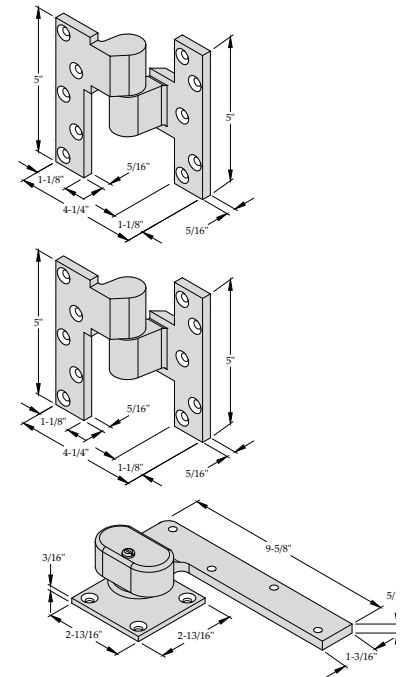
Meets or Exceeds ANSI C07162 (modified)

Standard Features

- (2) 019 Intermediate Pivots
 - Frame leaves mortise into side jamb
 - Door leaves mortise into hinge edge of door
- 0147 Bottom Pivot
 - Base leaf mounts to top of finished floor
 - Door leaf mortises into bottom of door
- Handed – Specify LH or RH
- For doors using Overhead Concealed Closers
- **Maximum door load – 500 lbs**
- Maximum door width – 42"
- Heavy duty bearings
- Stainless steel base material

Options

- EXTS – Extended Spindle on bottom pivot (up to 2" longer than standard)
- SEC – Security fasteners



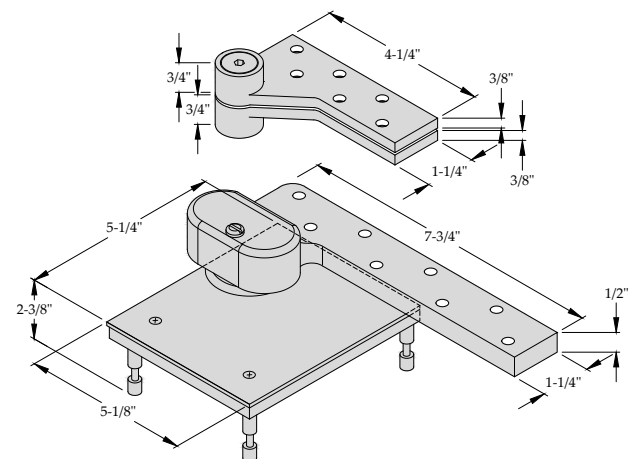
L0117 Pivot Set - 3/4" Offset

Standard Features

- 0180 Top Pivot
 - Frame leaf mortises into header
 - Door leaf mortises into top of door
- 0117B Bottom Pivot
 - Base leaf mortises to floor
 - Door leaf mortises into bottom of door
- For use on 1-3/4" lead-lined doors
- Handed – Specify LH or RH
- **Maximum door load – 1,750 lbs**
- Maximum door width – 48"
- UL listed for use on 3-hour fire rated doors -**Standard**
- Heavy duty bearings
- Stainless steel base material

Options

- EXTS – Extended Spindle on bottom pivot (up to 2" longer than standard)
- EXTP – Extended Pin on top pivot (up to 3/4" longer than standard)
- SEC – Security fasteners
- B – Bottom pivot only (no top pivot)



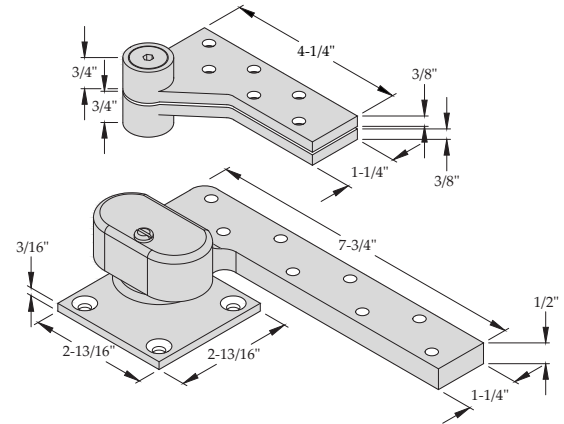
Offset Pivots & Pivot Sets

L0147 Pivot Set - 3/4" Offset

Meets or Exceeds ANSI C07121 & C07202

Standard Features

- L0180 Top Pivot
 - Frame leaf mortises into header
 - Door leaf mortises into top of door
- L0147B Bottom Pivot
 - Base leaf mounts to top of finished floor
 - Door leaf mortises into bottom of door
- Handed – Specify LH or RH
- For use on 1 3/4" lead-lined doors
- **Maximum door load - 800 lbs**
- Maximum door width – 48"
- UL listed for use on 3-hour fire rated doors -**Standard**
- Heavy duty bearings
- Stainless steel base material



Options

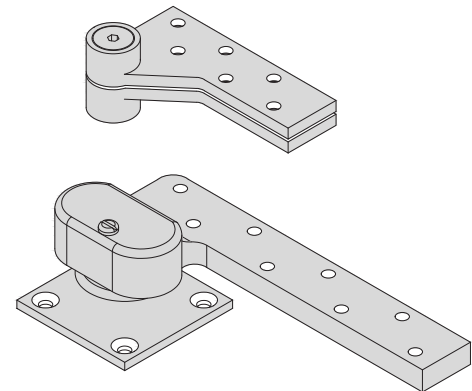
- EXTS – Extended Spindle on bottom pivot (up to 2" longer than standard)
- EXTP – Extended Pin on top pivot (up to 3/4" longer than standard)
- SEC – Security fasteners
- B – Bottom pivot only (no top pivot)

CL0147 Pivot Set - For Custom Applications

Meets or Exceeds ANSI C07121 & C07202

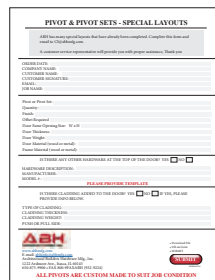
Standard Features

- CL0180 Top Pivot
 - Custom Size
 - Frame leaf mortises into header
 - Door leaf mortises into top of door
- CL0147B Bottom Pivot
 - Custom Size
 - Bottom leaf mortise into side jamb and rest on floor
 - Door leaf mortises into bottom of door
- Handed – Specify LH or RH
- Maximum door load – Will vary on application
- Maximum door width – Will vary on application
- UL listed for use on 3-hour fire rated doors -**Standard**
- Heavy duty bearings
- Stainless steel base material



Options

- EXTS – Extended Spindle on bottom pivot (up to 2" longer than standard)
- EXTP – Extended Pin on top pivot (up to 3/4" longer than standard)
- SEC – Security fasteners
- B – Bottom pivot only (no top pivot)



Thumbnail of the "SPECIAL" PDF form for custom applications, containing fields for project details, specifications, and contact information.

"SPECIAL" PDF FORM TO BE FILLED OUT WHEN ORDERING CUSTOM APPLICATIONS

Pivot & Pivot Sets

Form located in the Downloads of Pivots at www.abhmfg.com

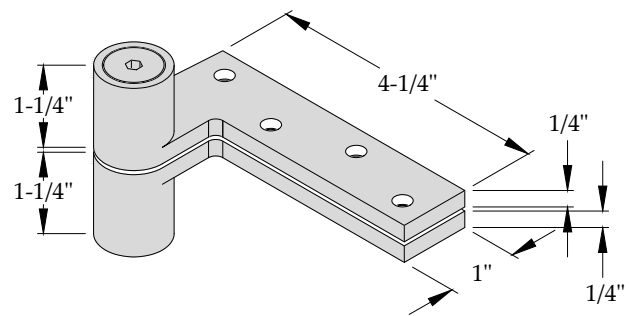


Offset Pivots & Pivot Sets

EX0180 Pivot Set - 3/4" Offset

Standard Features

- EX0180 Top Pivot
 - 3/4" Offset Top Pivot with extended pin
 - For use with heavy-duty applications
 - Must be used with compatible 3/4" offset bottom pivot or floor closer
 - Mortises into header and top of door
 - Non-Handed
 - Stainless Steel base material



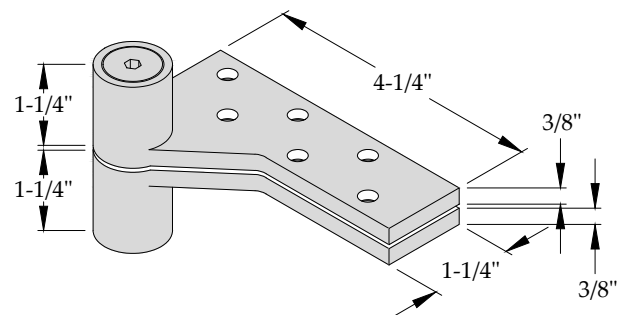
Options

- SEC – Security fasteners

EXL0180 Pivot Set - 3/4" Offset

Standard Features

- EXL0180 Top Pivot
 - 3/4" Offset Top Pivot with extended pin
 - For use on lead-lined doors, or extra heavy duty application
 - Must be used with compatible 3/4" offset bottom pivot or floor closer
 - Mortises into header and top of door
 - Non-Handed
 - Stainless Steel base material



Options

- SEC – Security fasteners

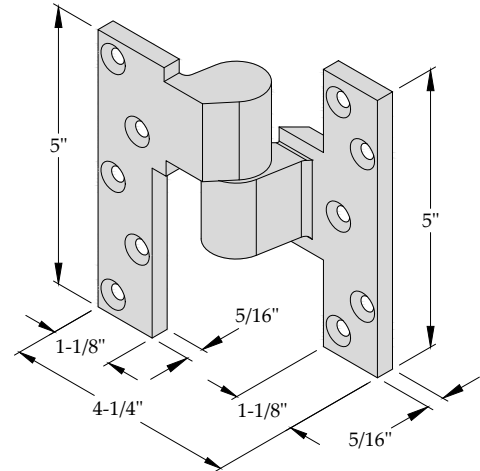
Offset Intermediate Pivots

019 Intermediate Pivot - 3/4" Offset

Meets or Exceeds ANSI C07321 & C07371

Standard Features

- Doors ranging from 60"- 90" tall should use one intermediate pivot. An additional intermediate pivot should be used for each additional 30" in door height.
- Mortises into side jamb and hinge edge of door
- Handed – Specify LH or RH
- For use with 3/4" offset pivot sets
- Helps maintain door alignment
- UL listed for use on 3-hour fire rated doors – **Standard**
- Heavy duty stainless steel needle bearings
- Stainless steel base material

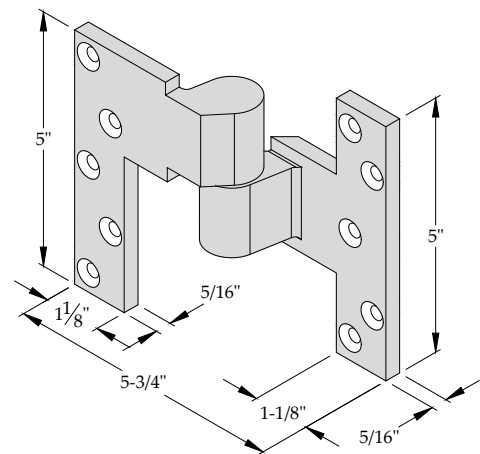


019-1.5 Intermediate Pivot - 1 1/2" Offset

Meets or Exceeds ANSI C07321 & C07371

Standard Features

- Doors ranging from 60"- 90" tall should use one intermediate pivot. An additional intermediate pivot should be used for each additional 30" in door height.
- Mortises into side jamb and hinge edge of door
- Handed – Specify LH or RH
- For use with 1 1/2" offset pivot sets
- Helps maintain door alignment
- UL listed for use on 3-hour fire rated doors – **Standard**
- Heavy duty stainless steel needle bearings
- Stainless steel base material



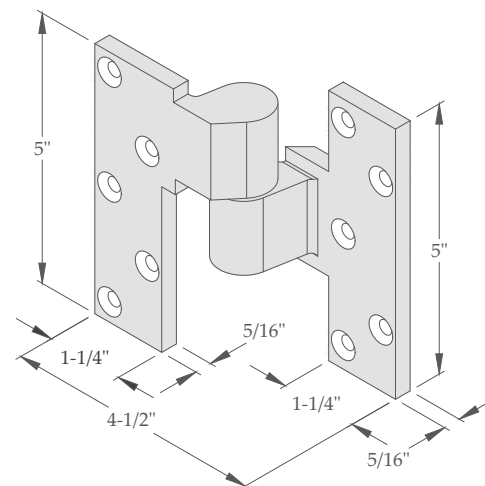
Offset Intermediate Pivots

L019 Intermediate Pivot - 3/4" Offset

Meets or Exceeds ANSI C07311

Standard Features

- Doors ranging from 60"- 90" tall should use one intermediate pivot
An additional intermediate pivot should be used for each additional 30" in door height.
- Mortises into side jamb and hinge edge of door
- Handed – Specify LH or RH
- For use with 3/4" offset lead-lined pivot sets
- For use with a 1-3/4" lead-lined doors
- Helps maintain door alignment
- UL listed for use on 3-hour fire rated doors – **Standard**
- Heavy duty stainless steel needle bearings
- Stainless steel base material

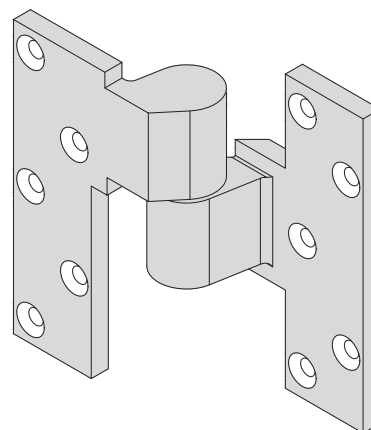


CL019 Intermediate Pivot For Custom Applications

Meets or Exceeds ANSI C07311

Standard Features

- **Custom size**
- Number of intermediate pivots will be determined by custom application
- Mortises into side jamb and hinge edge of door
- Handed – Specify LH or RH
- Helps maintain door alignment
- UL listed for use on 3-hour fire rated doors – **Standard**
- Heavy duty stainless steel needle bearings
- Stainless steel base material



PIVOT & PIVOT SETS - SPECIAL LAYOUTS	
<p>ABH has many special layouts that have already been completed & complete the base and special in 24-48 hours. A customer service representative will provide you with proper assistance. Thank you.</p>	
<p>ORDER NUMBER CUSTOMER NAME CUSTOMER ADDRESS CITY STATE ZIP CODE</p>	<p>DATE OF ORDER QUANTITY OTHER REQUIRED CITY AND STATE (For "W" & "H") SPEC. HEIGHT SPEC. WIDTH (For "W") FROM MATERIAL (For "W")</p>
<p>IF THERE ARE ANY OTHER HARDWARE AT THE TOP OF THE DOOR THE <input type="checkbox"/> IF YES PLEASE PROVIDE DETAILS</p>	
<p>IF THERE ARE ANY OTHER HARDWARE AT THE TOP OF THE DOOR THE <input type="checkbox"/> IF YES PLEASE PROVIDE DETAILS</p>	
<p>IF THERE ARE ANY OTHER HARDWARE AT THE TOP OF THE DOOR THE <input type="checkbox"/> IF YES PLEASE PROVIDE DETAILS</p>	
<p>TYPE OF GLASSING GLASSING THICKNESS GLASSING WEIGHT APPROX. WIND LOAD</p>	
<p>ABH Architectural Builders Hardware Manufacturing, Inc. 1222 Ardmore Avenue, Itasca, IL 60143 (630) 875-9900 • Fax (800) 932-9224 • www.ABHmfg.com • quotes@abhmfg.com</p>	
<p>ALL PIVOTS ARE CUSTOM MADE TO SUIT JOB CONDITIONS</p>	

"SPECIAL" PDF FORM TO BE FILLED OUT WHEN ORDERING CUSTOM APPLICATIONS

Pivot & Pivot Sets

Form located in the Downloads of Pivots at www.abhmfg.com



Offset Intermediate, Electrified Pivots

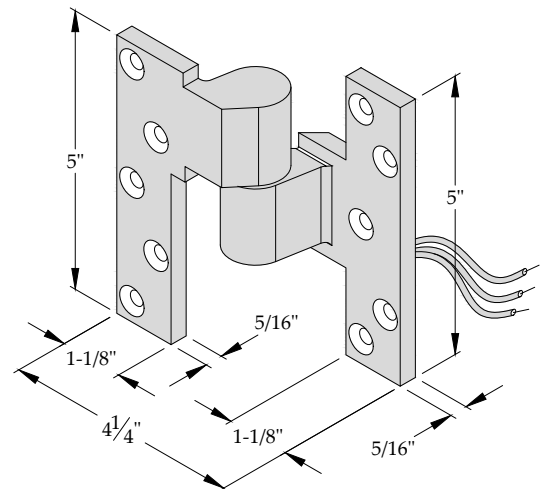
CM019 Intermediate Pivot - Concealed Monitoring Switch

Standard Features

- Concealed door position monitor switch included
 - Monitor with Switch (3) 22 AWG Wire leads on frame leaf
- Mortises into side jamb and hinge edge of door
- Handed – Specify LH or RH
- For use with 3/4" offset pivot sets
- UL listed for use on 3-hour fire rated doors – **Standard**
- Heavy duty stainless steel needle bearings
- Stainless steel base material

Options

- SEC – Security fasteners



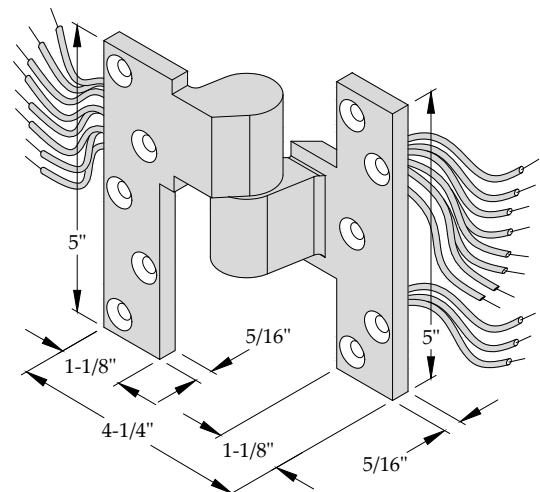
CME019 Intermediate Pivot - Electrified - 3/4" Offset

Standard Features

- Provides electrical power transfer from the frame to the door
 - (8) 30 AWG Wires
- Concealed door position monitor switch included
 - Monitor with Switch (3) 22 AWG Wire leads on frame leaf
- Mortises into side jamb and hinge edge of door
- Handed – Specify LH or RH
- For use with 3/4" offset pivot sets
- UL listed for use on 3-hour fire rated doors – **Standard**
- Heavy duty stainless steel needle bearings
- Stainless steel base material

Options

- EZ – EZ Connect Molex® Connectors for installation ease
- SEC – Security fasteners



Offset Intermediate, Electrified Pivots

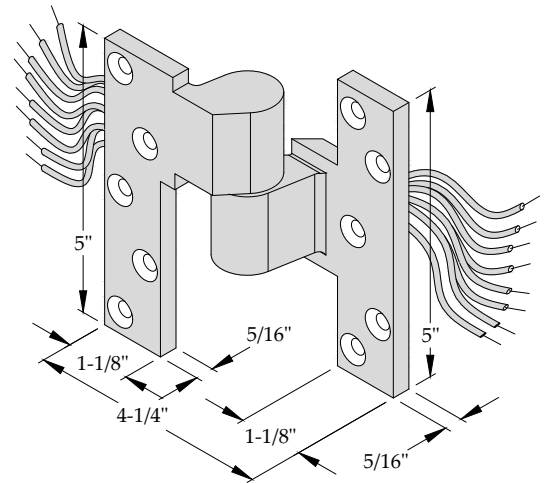
E019 Intermediate Pivot - Electrified - 3/4" Offset

Standard Features

- Provides electrical power transfer from the frame to the door
 - (8) 30 AWG Wires
- Mortises into side jamb and hinge edge of door
- Handed – Specify LH or RH
- For use with 3/4" offset pivot sets
- UL listed for use on 3-hour fire rated doors - **Standard**
- Heavy duty stainless steel needle bearings
- Stainless steel base material

Options

- **EZ** – EZ Connect Molex® Connectors for installation ease
- **SEC** – Security fasteners



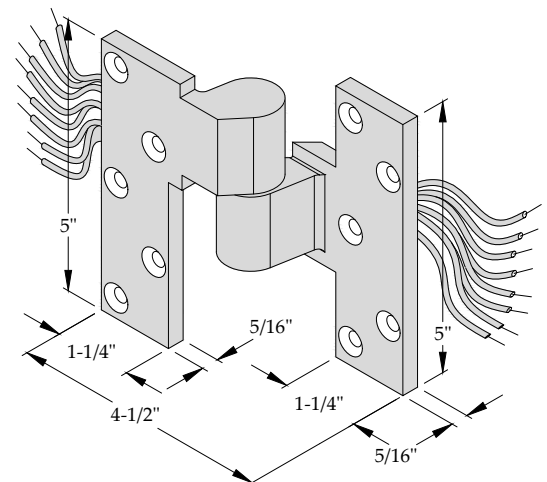
EL019-1.5 Intermediate Pivot - Electrified 1-1/2" Offset

Standard Features

- Provides electrical power transfer from the frame to the door
 - (8) 30 AWG Wires
- Mortises into side jamb and hinge edge of door
- Handed – Specify LH or RH
- For use with 1-1/2" offset lead-lined pivot sets
- UL listed for use on 3-hour fire rated doors - **Standard**
- Heavy duty stainless steel needle bearings
- Stainless steel base material

Options

- **EZ** – EZ Connect Molex® Connectors for installation ease
- **SEC** – Security fasteners



Offset Intermediate, Electrified Pivots

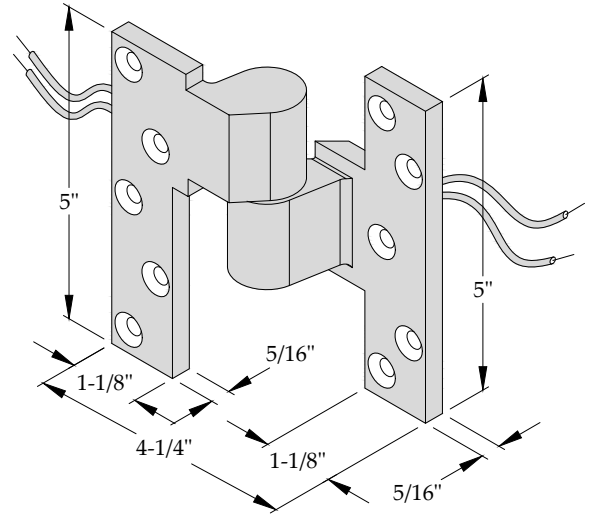
E019U Intermediate Pivot - Electrified - 3/4" Offset

Standard Features

- Provides electrical power transfer from the frame to the door
 - Large inrush current
 - (2) 18 AWG Wires
 - Each wire is rated at 2 amps continuously
- Mortises into side jamb and hinge edge of door
- Handed – Specify LH or RH
- For use with 3/4" offset pivot sets
- UL listed for use on 3-hour fire rated doors – **Standard**
- Heavy duty stainless steel needle bearings
- Stainless steel base material

Options

- SEC – Security fasteners



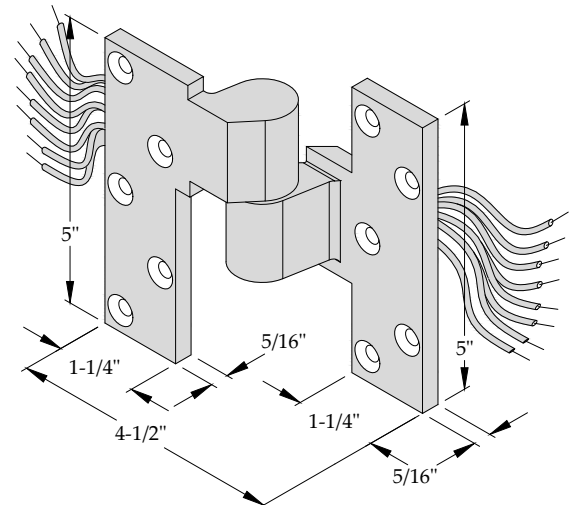
EL019 Intermediate Pivot - Electrified 3/4" Offset

Standard Features

- Provides electrical power transfer from the frame to the door
 - (8) 30 AWG Wires
- Mortises into side jamb and hinge edge of door
- Handed – Specify LH or RH
- For use with 3/4" offset lead-lined pivot sets
- UL listed for use on 3-hour fire rated doors – **Standard**
- Heavy duty stainless steel needle bearings
- Stainless steel base material

Options

- SEC – Security fasteners



Offset Intermediate, Electrified Pivots

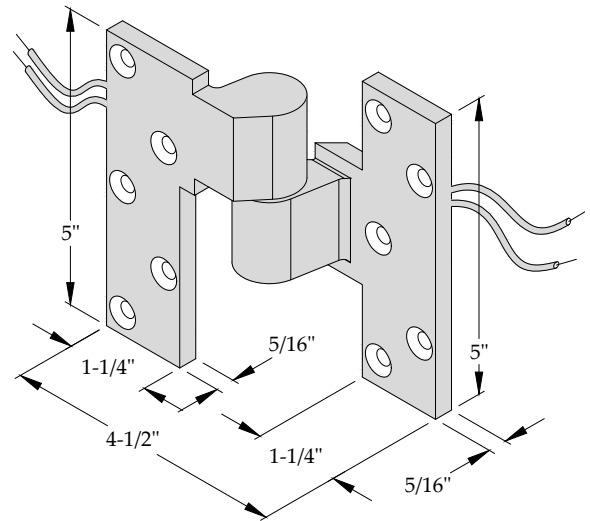
EL019U Intermediate Pivot – Electrified $\frac{3}{4}$ " Offset

Standard Features

- Provides electrical power transfer from the frame to the door
 - Large inrush current
 - (2) 18 AWG Wires
 - Each wire is rated at 2 amps continuously
- Mortises into side jamb and hinge edge of door
- Handed – Specify LH or RH
- For use with $\frac{3}{4}$ " offset lead-lined pivot sets
- UL listed for use on 3-hour fire rated doors – **Standard**
- Heavy duty stainless steel needle bearings
- Stainless steel base material

Options

- **SEC** – Security fasteners



Center Hung Pivot Sets

0117.75 Pivot Set - Center Hung

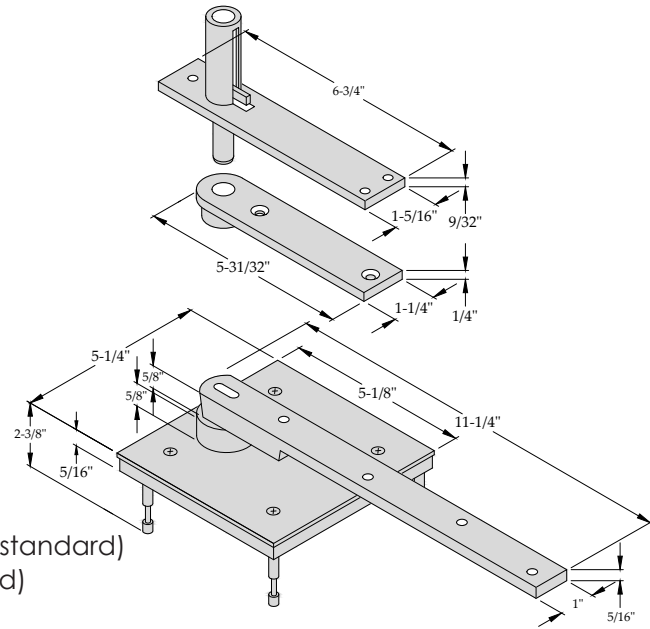
Meets or Exceeds ANSI C07162 & C07202

Standard Features

- **0345 Top Pivot**
 - Frame leaf mortises into header
 - Door leaf mortises into top of door
- **0117.75B Bottom Pivot**
 - Base leaf mortised into floor and rest on floor
 - Door leaf mortises into bottom of door
- Non-Handed
- **Maximum door load – 600 lbs**
- Maximum door width – 48"
- Heavy duty bearings
- Stainless steel base material

Options

- **EXTS** – Extended Spindle on bottom pivot (up to 2" longer than standard)
- **EXTP** – Extended Pin on top pivot (up to $\frac{3}{4}$ " longer than standard)
- **SEC** – Security fasteners
- **B** – Bottom pivot only (no top pivot)



0127 Pivot Set – Center Hung

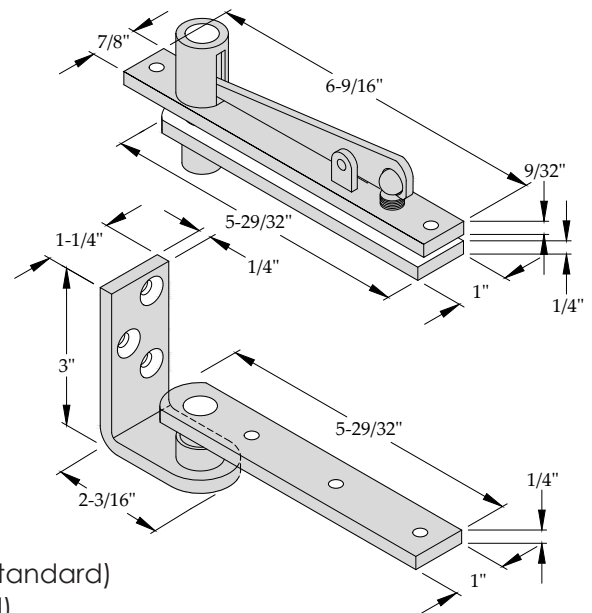
Meets or Exceeds ANSI C07042

Standard Features

- **0320 Top Pivot**
 - Frame leaf mortises into header
 - Door leaf mortises into top of door
- **0127B Bottom Pivot**
 - Base leaf mortises into side jamb and rest on floor
 - Door leaf mortises into bottom of door
- Non-handed
- Pivot set is centered into the door thickness
- **Maximum door load – 200 lbs**
- Maximum door size – 42"x 102"

Options

- Can be used with **ABH® Rescue Hardware**
- **EXTS** – Extended Spindle on bottom pivot (up to 2" longer than standard)
- **EXTP** – Extended Pin on top pivot (up to $\frac{3}{4}$ " longer than standard)
- **SEC** – Security fasteners
- **B** – Bottom pivot only (no top pivot)



Center Hung Pivot Sets

0128 Pivot Set – Center Hung

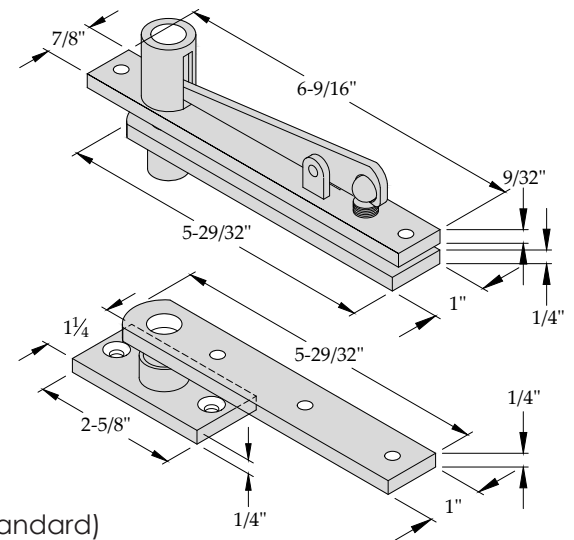
Meets or Exceeds ANSI C07032

Standard Features

- **0320 Top Pivot**
 - Frame leaf mortises into header
 - Door leaf mortises into top of door
- **0128B Bottom Pivot**
 - Base mounts to the top of finished floor
 - Door leaf mortises into bottom of door
- Non-handed
- Pivot set is centered into the door thickness
- **Maximum door load – 250 lbs**
- **Maximum door size – 42" x 102"**

Options

- Can be used with **ABH® Rescue Hardware**
- **EXTS** – Extended Spindle on bottom pivot (up to 2" longer than standard)
- **EXTP** – Extended Pin on top pivot (up to 3/4" longer than standard)
- **SEC** – Security fasteners
- **B** – Bottom pivot only (no top pivot)



0327 Pivot Set – Center Hung

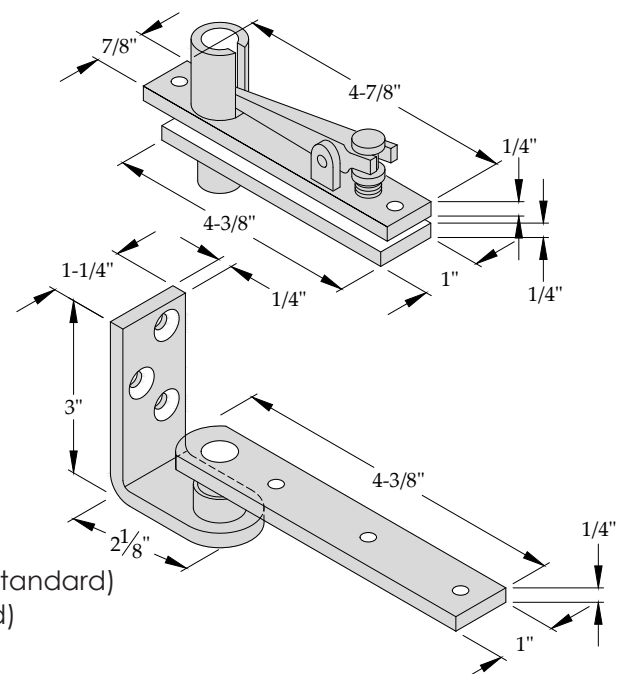
Meets or Exceeds ANSI C07042

Standard Features

- **0321 Top Pivot**
 - Frame leaf mortises into header
 - Door leaf mortises into top of door
- **0327B Bottom Pivot**
 - Base mortises into side jamb and rest on floor
 - Door leaf mortises into bottom of door
- Non-handed
- Pivot set is centered into the door thickness
- **Maximum door load – 135 lbs**

Options

- Can be used with **ABH® Rescue Hardware**
- **EXTS** – Extended Spindle on bottom pivot (up to 2" longer than standard)
- **EXTP** – Extended Pin on top pivot (up to 3/4" longer than standard)
- **SEC** – Security fasteners
- **B** – Bottom pivot only (no top pivot)



Center Hung Pivots Sets/Electrified Pivot Set

0370 Pivot Set – Center Hung

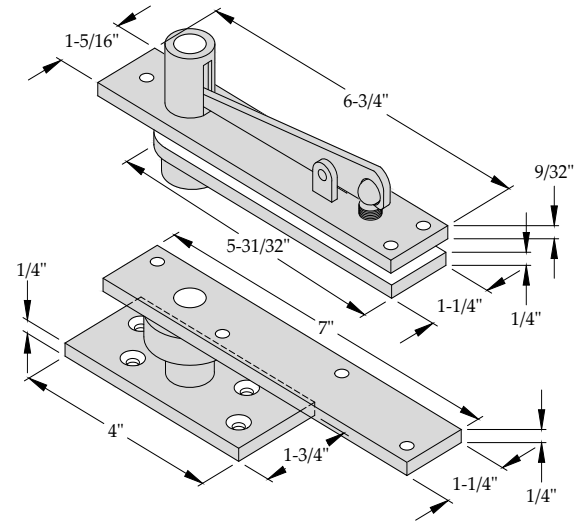
Meets or Exceeds ANSI C07032

Standard Features

- **0340 Top Pivot**
 - Frame leaf mortises into header
 - Door leaf mortises into top of door
- **0370B Bottom Pivot**
 - Base mounts to the top of finished door
 - Door leaf mortises into bottom of door
- Non-handed
- Pivot set is centered into the door thickness
- **Maximum door load – 500 lbs**
- **Maximum door size – 42" x 102"**

Options

- Can be used with **ABH® Rescue Hardware**
- **EXTS** – Extended Spindle on bottom pivot (up to 2" longer than standard)
- **EXTP** – Extended Pin on top pivot (up to 3/4" longer than standard)
- **SEC** – Security fasteners
- **B** – Bottom pivot only (no top pivot)



E0117.75 Pivot Set - Center Hung

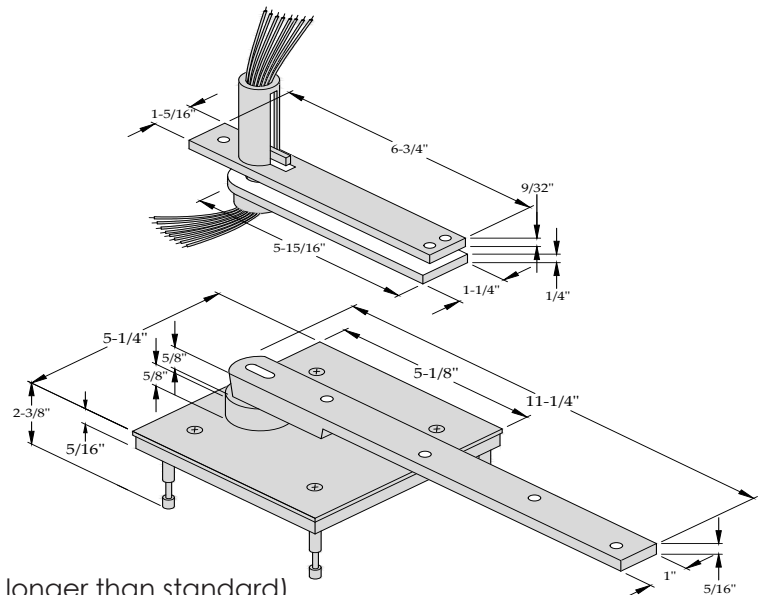
Meets or Exceeds ANSI C07162 & C07202

Standard Features

- **E0345 Top Pivot**
 - Frame leaf mortises into header
 - Door leaf mortises into top of door
- **E0117.75B Bottom Pivot**
 - All rest on floor
 - Door leaf mortises into bottom of door
- Non-Handed
- **Maximum door load – 600 lbs**
- **Maximum door width – 48"**
- Heavy duty bearings
- **Stainless steel base material**

Options

- **EXTS** – Extended Spindle on bottom pivot (up to 2" longer than standard)
- **EXTP** – Extended Pin on top pivot (up to 3/4" longer than standard)
- **SEC** – Security fasteners
- **B** – Bottom pivot only (no top pivot)



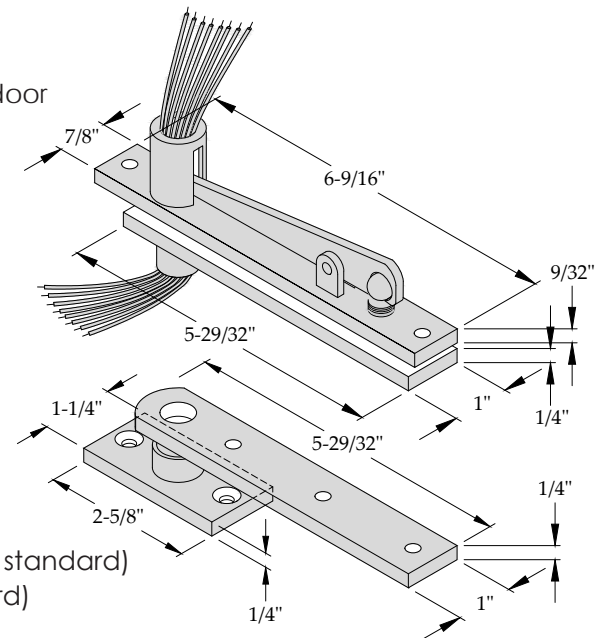
Center Hung Pivots Sets/Electrified Pivot Set

E0128 Pivot Set – Center Hung – Electrified

Meets or Exceeds ANSI C07032

Standard Features

- **E0320 Top Pivot**
 - Provides electrical power transfer from the frame to the door
 - (8) 30 AWG wires
 - Frame leaf mortises into header
 - Door leaf mortises into top of door
- **0128B Bottom Pivot**
 - Base mounts to the top of finished floor
 - Door leaf mortises into bottom of door
- Non-handed
- Pivot set is centered into the door thickness
- **Maximum door load – 250 lbs**
- Maximum door size – 42"x 102"



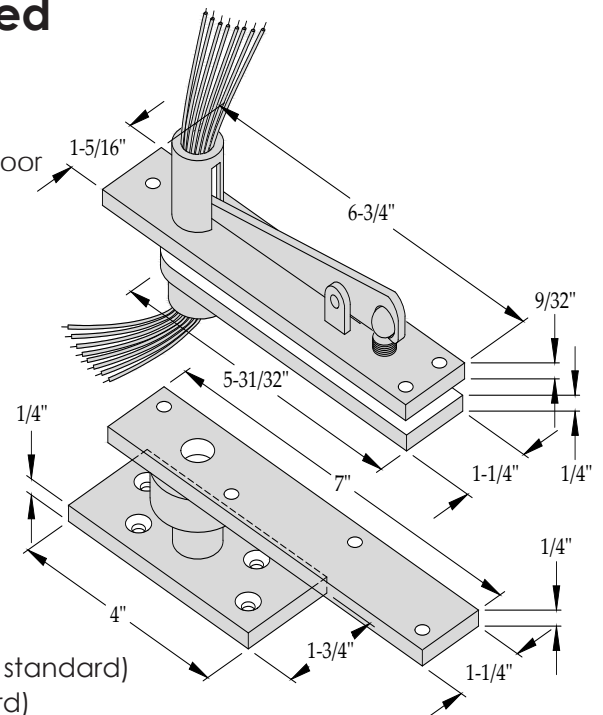
Options

- Can be used with **ABH® Rescue Hardware**
- **EXTS** – Extended Spindle on bottom pivot (up to 2" longer than standard)
- **EXTP** – Extended Pin on top pivot (up to 3/4" longer than standard)
- **SEC** – Security fasteners
- **B** – Bottom pivot only (no top pivot)

E0370 Pivot Set – Center Hung – Electrified

Standard Features

- **E0340 Top Pivot**
 - Provides electrical power transfer from the frame to the door
 - (8) 30 AWG wires
 - Frame leaf mortises into header
 - Door leaf mortises into top of door
- **0370B Bottom Pivot**
 - Bottom leaf mounts on top of finished door
 - Door leaf mortises into bottom of door
- Non-handed
- Pivot set is centered into the door thickness
- **Maximum door load – 500 lbs**
- Maximum door size – 42"x 102"



Options

- Can be used with **ABH® Rescue Hardware**
- **EXTS** – Extended Spindle on bottom pivot (up to 2" longer than standard)
- **EXTP** – Extended Pin on top pivot (up to 3/4" longer than standard)
- **SEC** – Security fasteners
- **B** – Bottom pivot only (no top pivot)

Center Hung Top Pivots

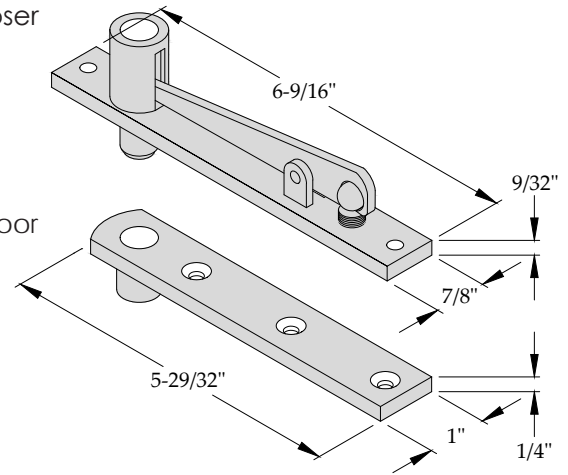
0320 Top Pivot - Center Hung, Medium Duty

Standard Features

- Walking beam top pivot for center hung bottom pivot for floor closer
- **Medium Duty**
- Jamb leaf mortise in header
- Door leaf mortise into top of the door
- Dress plate provided for jamb portion
- Non-handed
- Pivot point must be plumb with pivot point at the bottom of the door

Options

- **EXTP** – Extended Pin on top pivot (up to $\frac{3}{4}$ " longer than standard)
- **SEC** – Security fasteners



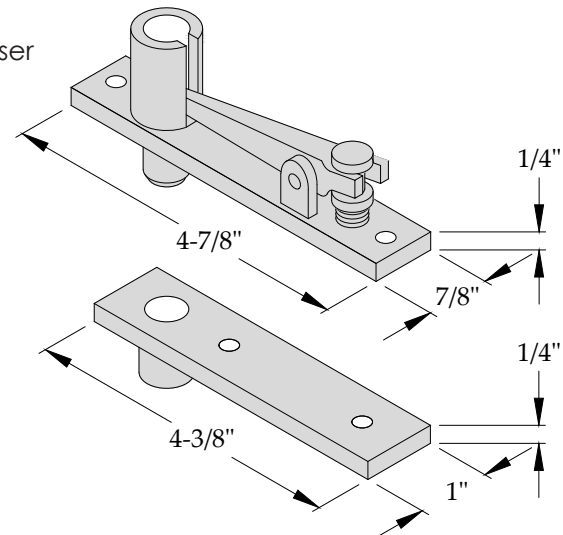
0321 Top Pivot – Center Hung, Light Duty

Standard Features

- Walking beam top pivot for center hung bottom pivot for floor closer
- **Light Duty**
- Jamb leaf mortise in header
- Door leaf mortise into top of the door
- Dress plate provided for jamb portion
- Non-handed
- Pivot point must be plumb with pivot point at the bottom of the door

Options

- **EXTP** – Extended Pin on top pivot (up to $\frac{3}{4}$ " longer than standard)
- **SEC** – Security fasteners



Center Hung Top Pivots

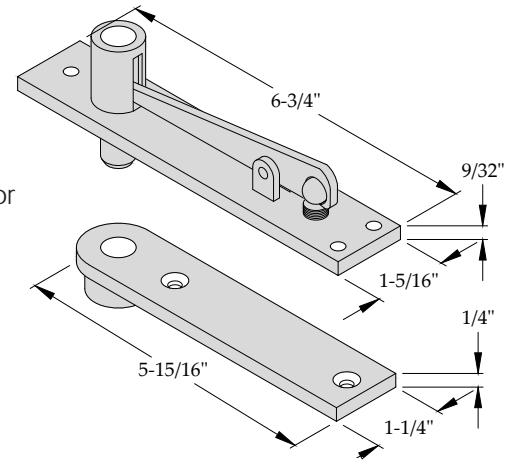
0340 Top Pivot - Center Hung, Heavy Duty

Standard Features

- Walking beam top pivot for center hung bottom pivot for floor closer
- **Heavy Duty**
- Jamb leaf mortise in header
- Door leaf mortise into top of the door
- Dress plate provided for jamb portion
- Non-handed
- Pivot point must be plumb with pivot point at the bottom of the door

Options

- **EXTP** – Extended Pin on top pivot (up to $\frac{3}{4}$ " longer than standard)
- **SEC** – Security fasteners



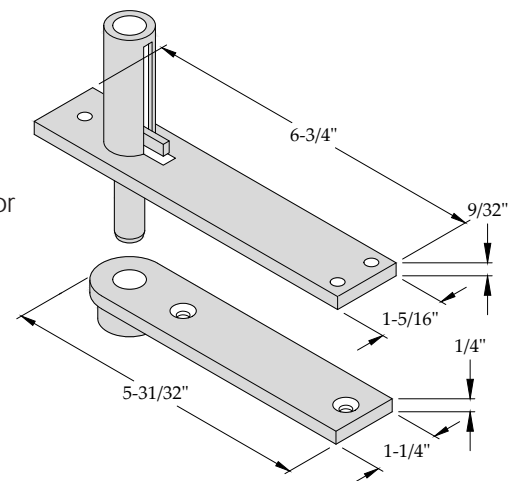
0345 Top Pivot - Center Hung, Extra Heavy Duty

Standard Features

- For use with 0370 bottom pivot when door height is in excess of 104"
- **Extra Heavy Duty**
- Jamb leaf mortise in header
- Door leaf mortise into top of the door
- Dress plate provided for jamb portion
- Non-handed
- Pivot point must be plumb with pivot point at the bottom of the door

Options

- **EXTP** – Extended Pin on top pivot (up to $\frac{3}{4}$ " longer than standard)
- **SEC** – Security fasteners

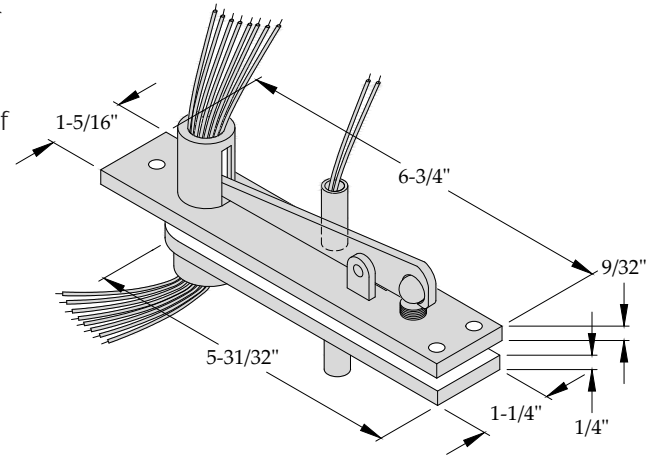


Center Hung Top Pivots - Electrified

CME0340 Top Pivot – Electrified - Center Hung, Heavy Duty

Standard Features

- Provides electrical power transfer from the frame to the door
 - (8) 30 AWG Wires
- Concealed door position monitor switch included
 - Monitor switch with (2) 22 AWG wire leads on frame leaf
- **Heavy Duty**
- Mortises into header and top of the door
- Dress plate provided for jamb portion
- Non-handed



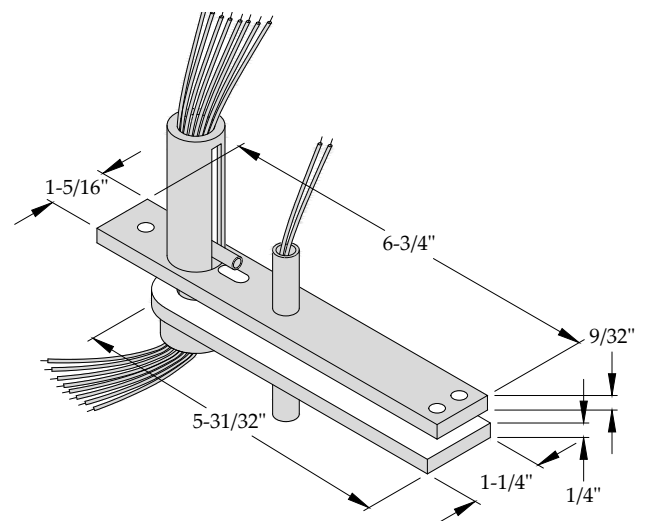
Options

- **EZ**- EZ Connect Molex® Connectors for installation ease
- **SEC** – Security fasteners

CME0345 Top Pivot – Electrified - Center Hung, Extra Heavy Duty

Standard Features

- Provides electrical power transfer from the frame to the door
 - (8) 30 AWG Wires
- Concealed door position monitor switch included
 - Monitor switch with (2) 22 AWG wire leads on frame leaf
- **Extra Heavy Duty**
- Mortises into header and top of the door
- Dress plate provided for jamb portion
- Non-handed



Options

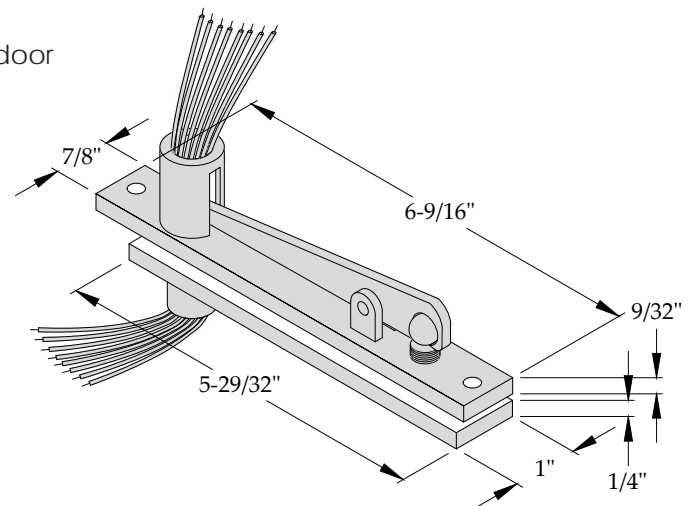
- **EZ**- EZ Connect Molex® Connectors for installation ease
- **SEC** – Security fasteners

Center Hung Top Pivot - Electrified

E0320 Top Pivot – Electrified - Center Hung, Medium Duty

Standard Features

- Provides electrical power transfer from the frame to the door
- (8) 30 AWG Wires
- **Medium Duty**
- Mortises into header and top of the door
- Dress plate provided for jamb portion
- Non-handed



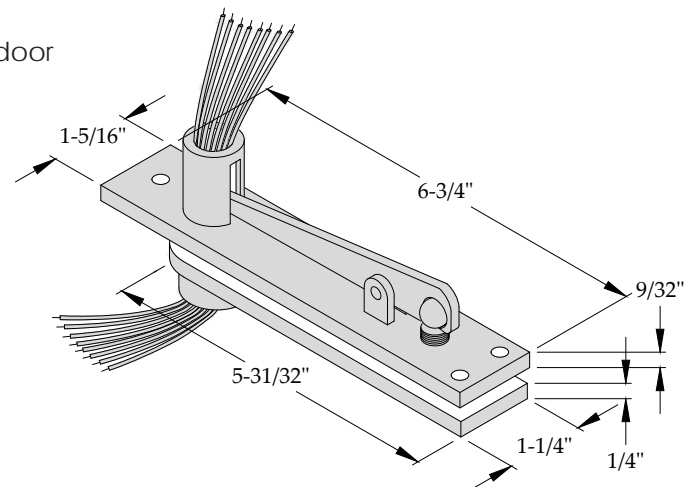
Options

- **EZ** – EZ Connect Molex® Connectors for installation ease
- **SEC** – Security fasteners

E0340 Top Pivot – Electrified - Center Hung, Heavy Duty

Standard Features

- Provides electrical power transfer from the frame to the door
- (8) 30 AWG Wires
- **Heavy Duty**
- Mortises into header and top of the door
- Dress plate provided for jamb portion
- Non-handed



Options

- **EZ** – EZ Connect Molex® Connectors for installation ease
- **SEC** – Security fasteners

Center Hung Top Pivot - Electrified

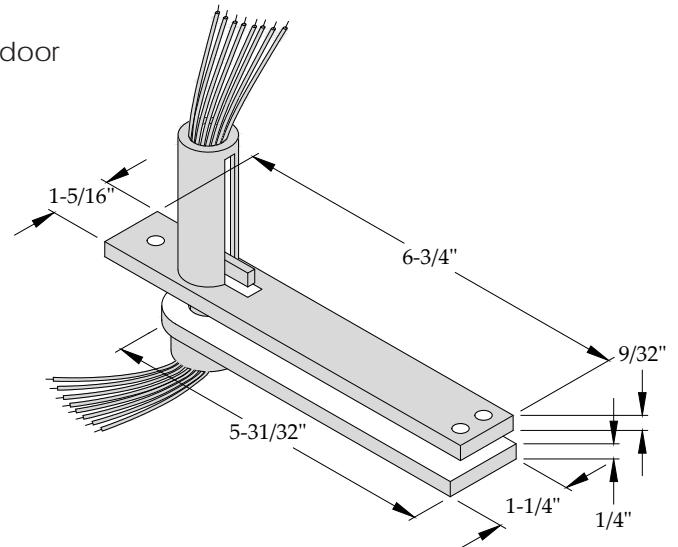
E0345 Top Pivot – Electrified - Center Hung, Extra Heavy Duty

■ Standard Features

- Provides electrical power transfer from the frame to the door
 - (8) 30 AWG Wires
- **Extra Heavy Duty**
- Mortises into header and top of the door
- Dress plate provided for jamb portion
- Non-handed

■ Options

- **EZ** – EZ Connect Molex[®] Connectors for installation ease
- **SEC** – Security fasteners



Pocket Pivots

0519 Pocket Door Pivot

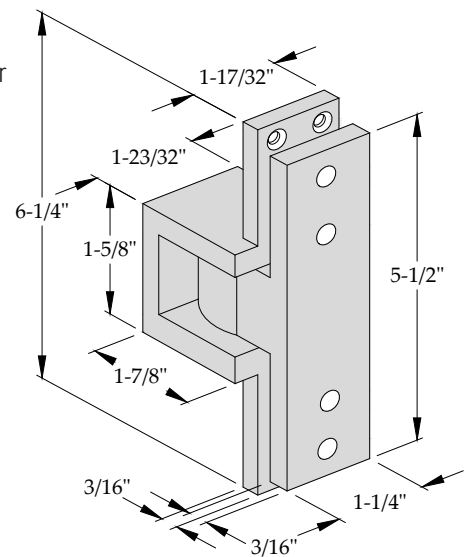
Standard Features

- Pivot point is located inside the frame
- Allows door to swing into a pocket in the frame at a right angle
When the door is in the pocket, it is completely clear of the door opening and flush with the adjacent wall
- Maximum door swing is 90°
- Minimum three pocket pivots per door 60" – 90" tall
- Add one pocket pivot for each additional 30" door height
- **Maximum door load per pivot – 90 lbs**
- Non-handed
- UL listed for use on 3-hour fire rated doors – **Standard**
- Heavy duty stainless steel needle bearings
- Stainless steel base material

Options

- **SEC** – Security fasteners

Meets or Exceeds ANSI C07611



E0519 - Electrified - Pocket Door Pivot

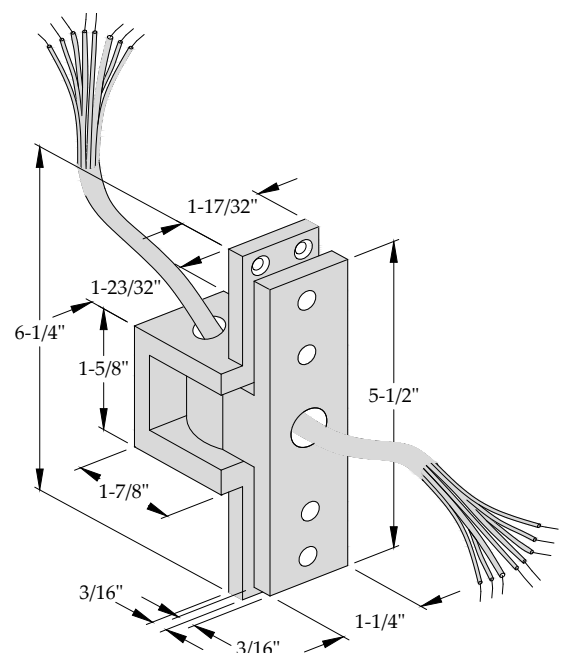
Standard Features

- Provides electrical power transfer from the frame to the door
(8) 30 AWG wires
- Pivot point is located inside the frame
- Allows door to swing into a pocket in the frame at a right angle
When the door is in the pocket, it is completely clear of the door opening and flush with the adjacent wall
- Maximum door swing is 90°
- **Maximum door load per pivot – 90 lbs**
- Non-handed
- UL listed for use on 3-hour fire rated doors – **Standard**
- Heavy duty stainless steel needle bearings
- Stainless steel base material

Options

- **EZ**– EZ Connect Molex® Connectors for installation ease
- **SEC** – Security fasteners

Meets or Exceeds ANSI C07162 & C07202



Reinforcing Pivot

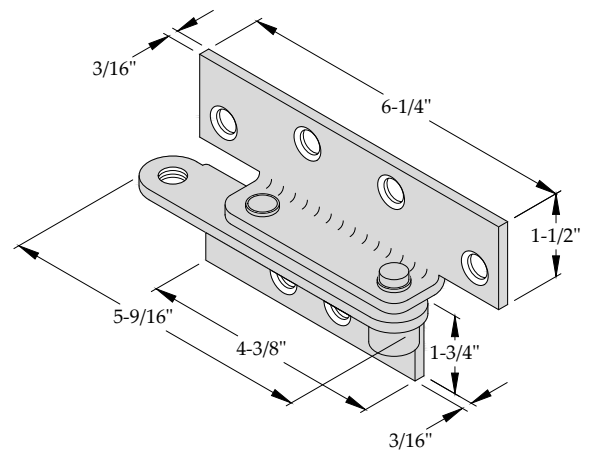
0923 Reinforcing Pivot

Standard Features

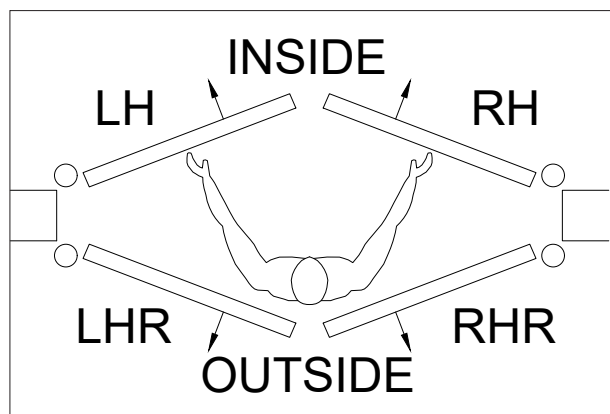
- Helps take load off failing top hinge and eliminate door sag
- Surface mounts to the face of the frame header and face of the door
- Matches pivot point of a standard 4½" butt hinge
- Non-handed
- **Maximum door load – 300 lbs**
- Cold-rolled steel, zinc plated – US2G
- For ⅛" inset door with ¼" offset

Options

- **SEC** – Security fasteners



HANDING DIAGRAM



CONTACT US

ORDERS

orders@abhmfg.com

Send all Purchase Orders or questions regarding existing orders.

QUOTES

quotes@abhmfg.com

Send all Quote Request or questions regarding existing quotes.

ACCOUNTS RECEIVABLES

ar@abhmfg.com

Send all questions regarding invoices, statements, credit issues or RMA requests.

CUSTOMER SERVICE

cs@abhmfg.com

Send all customer service related requests.

If you have any other questions regarding ABH products, please call 630-875-9900.



Architectural Builders Hardware Manufacturing, Inc.
1222 Ardmore Avenue, Itasca, IL 60143
630-875-9900 • (800) 932-9224
www.abhmfg.com

