

ABH[®]

Manufacturing, Inc.



- Overhead Holders & Stops
- Hospital Push/Pull Latches
- Electro-Magnetic Door Holders
- Electrical Power Transfer Products
- Aluminum Continuous Geared Hinges
- Stainless Steel Continuous Pin & Barrel Hinges
- Stainless Steel Edge Guards
- Pivots & Pivot Sets
- Coordinators, Flush Bolts & Roller Latches
- Slide Bolts, Surface Bolts & Miscellaneous Products



Rescue Hardware

Rescue Hardware & Double-Lipped Strikes

Cross Reference Chart

Type	Description	ABH*	McKinney*	Stanley*	Hager*
Double-Lipped Strikes	5-3/4" Frame - Center Hung	DS4510	DLS-8	DLS-2	451
	6-3/4" Frame - Center Hung	DS4520	DLS-8	DLS-2	452
	5-3/4" Frame - 1/8" Inset	DS4530	DLS-8	DLS-1	453
	6-3/4" Frame - 1/8" Inset	DS4540	DLS-8	DLS-1	454
	Special Size - Cylindrical Latch	SDS4500	-	-	-
	Special Size - Mortise Lock	SDSM4500	-	-	-
Rescue Stop & Double-Lipped Strike Combo	5-3/4" Frame - Center Hung	CR4550	-	-	455
	6-3/4" Frame - Center Hung	CR4560	-	-	456
	5-3/4" Frame - 1/8" Inset	CR4570	-	-	457
	6-3/4" Frame - 1/8" Inset	CR4580	-	-	458
	Special Size - Cylindrical Latch	SCR4550	-	-	-
	Special Size - Mortise Lock	SCRM4550	-	-	-
	5-3/4" Frame - Center Hung	CR4591	CSS-9	-	-
	6-3/4" Frame - Center Hung	CR4592	CSS-9	-	-
	6-3/4" Frame - 1/8" Inset	CR4593	CSS-9	-	-
	5-3/4" Frame - 1/8" Inset	CR4594	CSS-9	-	-
	Special Size - Cylindrical Latch	SCR4590	-	-	-
	Special Size - Mortise Lock	SCRM4590	-	-	-
Rescue Stop	Stand Alone	4590	DS-6	ES-1	610

*Brand names are trademarks or registered trademarks of their respective companies.

Table of Contents

Stand Alone Rescue Stop

4590 J-2

Double-Lipped Strikes for Cylindrical Latches

DS4510 J-3
 DS4520 J-3
 DS4530 J-3
 DS4540 J-3

Special Frame Size - Center Hung Door

SDS4500 - Cylindrical J-4
 SDSM4500 - Mortise Lock (No Dead Bolt) J-5
 SDSM4500 - Mortise Lock (With Dead Bolt) J-6

Special Frame Size - 1/8" Inset Door

SDS4500 - Cylindrical J-7
 SDSM4500 - Mortise Lock (No Dead Bolt) J-8
 SDSM4500 - Mortise Lock (With Dead Bolt) J-9

Double-Lipped Rescue Stops for Cylindrical Latches - 4550 Half-Moon Style

CR4550 J-10
 CR4560 J-10
 CR4570 J-10
 CR4580 J-10

Special Frame Size - Center Hung Door

SCR4550 - Cylindrical J-11
 SCR4550 - Mortise Lock (No Dead Bolt) J-12
 SCR4550 - Mortise Lock (With Dead Bolt) J-13

Special Frame Size - 1/8" Inset Door

SCR4550 - Cylindrical J-14
 SCR4550 - Mortise Lock (No Dead Bolt) J-15
 SCR4550 - Mortise Lock (With Dead Bolt) J-16

Double-Lipped Rescue Stops for Cylindrical Latches - 4590 Flipper Style

CR4591 J-17
 CR4592 J-17
 CR4593 J-17
 CR4594 J-17

Special Frame Size - Center Hung Door

SCR4590 - Cylindrical J-18
 SCR4590 - Mortise Lock (No Dead Bolt) J-19
 SCR4590 - Mortise Lock (With Dead Bolt) J-20

Special Frame Size - 1/8" Inset Door

SCR4590 - Cylindrical J-21
 SCR4590 - Mortise Lock (No Dead Bolt) J-22
 SCR4590 - Mortise Lock (With Dead Bolt) J-23

Rescue Stop & Center Hung Pivot Set Combos

012750 J-24
 012760 J-24
 012770 J-24
 012780 J-24

 012850 J-24
 012860 J-24
 012870 J-24
 012880 J-24

 012791 J-24
 012792 J-24
 012793 J-24
 012794 J-24

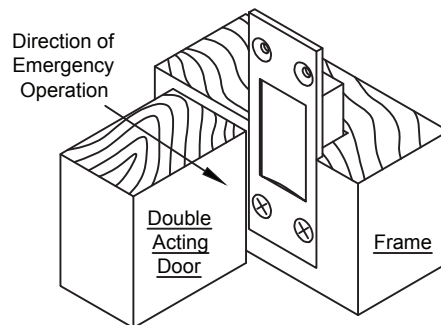
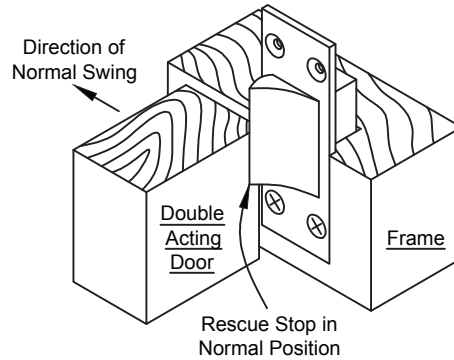
 012891 J-24
 012892 J-24
 012893 J-24
 012894 J-24



4590 - Rescue Stop

Standard Features

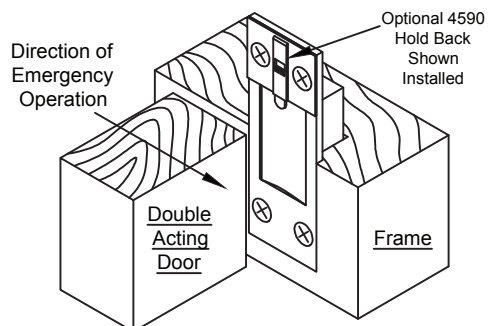
- Intended for use in hospital or nursing home patient bathroom doors
- Converts double-acting door to single-acting door
- Allows door to swing open in opposite direction if something or someone obstructs the normal swing of the door
- Pushing in on the spring loaded stop allows emergency operation of the door
- Stop automatically returns to normal position when released (spring-loaded)
- Standard fasteners provided:
 - 10-32 flat head machine screws
 - #10 flat head wood screws
- Available in US32D, US32, US10B, US10, US3 and US4 finishes - Contact factory for custom finish
- Meets ANSI Spec A1882



Rescue Stop may be
Depressed Manually to allow Door to
Open in Opposite Direction

OR

By using the Optional Hold Back Plate & Clip by
Sliding Down the Hold Back Clip (Shown below)



4590

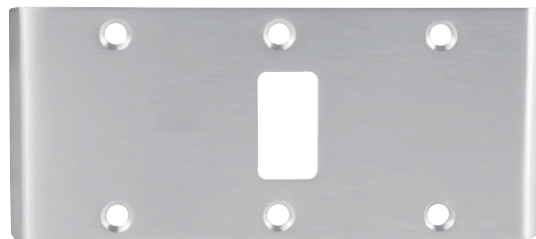
Hold Back Plate & Clip
(Provided Standard, But Optional to Install)



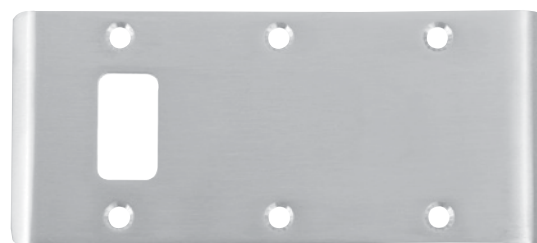
Double-Lipped Strikes

Standard Features

- Allows door to open in both directions without damaging the frame
- Door to be mounted on center hung pivot set – ABH 0327, 0127, 0128 or 0370 (see pivot section for details)
- For use on 1-3/4" thick doors - center hung or 1/8" inset
- Can be used in conjunction with ABH 4590 Rescue Stop (see page J-2 for details)
- Cut-out is standard for cylindrical latches. Custom units available for mortise locks (see pages J-5 to J-9)
- Standard models are for 5-3/4" and 6-3/4" frame size. Custom frame sizes available (see pages J-4 to J-9)
- Supplied with 8-32 x 3/8" undercut machine screws
- .074" thick stainless steel material
- Available in US32D, US32, US10B, US10, US3 and US4 finishes – Contact factory for custom finish
- Meets and/or exceeds ANSI Standard A1882



Center Hung Door - Cylindrical Latch
DS4510 - 5-3/4" Frame
DS4520 - 6-3/4" Frame



1/8" Inset Door - Cylindrical Latch
DS4530 - 5-3/4" Frame
DS4540 - 6-3/4" Frame

Options

- SEC - Pin-in socket security fasteners

Model Number	Frame Size	Strike Height	Latch Type	Door Inset
DS4510	5-3/4"	2-3/4"	Cylindrical	Center Hung
DS4520	6-3/4"	2-3/4"	Cylindrical	Center Hung
DS4530	5-3/4"	2-3/4"	Cylindrical	1/8" Inset
DS4540	6-3/4"	2-3/4"	Cylindrical	1/8" Inset



SDS4500 - Special Double-Lipped Strikes Center Hung for Cylindrical Latch

Innovation, Quality,
Customer Service...

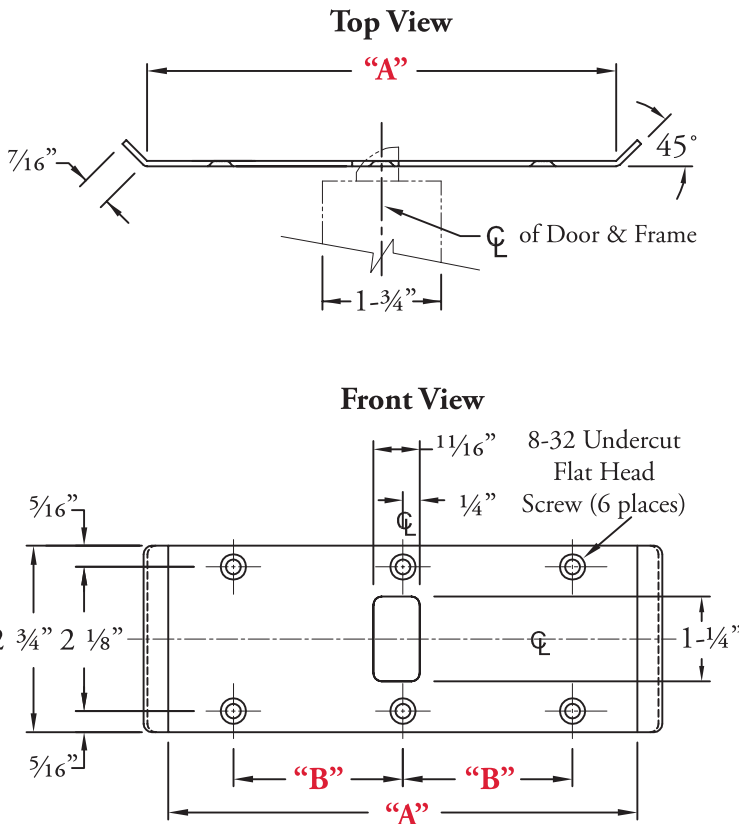
The sizing chart on the right lists custom layout numbers for all frame sizes from 5- $\frac{1}{4}$ " to 9" for:

- Center hung door
- Cylindrical latch application

ABH has the capability to custom manufacture thousands of different custom double-lipped strikes to fit nearly every application.

Please contact us if you need to match existing preps or if additional customizations are required and we will gladly assist.

How to Order			
Example SDS4500 x US32D x SP-DS5006			
Part Number	Finish	Custom Layout Number	Quantity
SDS4500			
SDS4500			



Custom Layout Number	Frame Size	Center to Center Mounting Holes
	"A"	"B"
SP-DS5006	5- $\frac{1}{4}$ "	1- $\frac{7}{8}$ "
SP-DS5007	5- $\frac{3}{8}$ "	1- $\frac{7}{8}$ "
SP-DS5008	5- $\frac{1}{2}$ "	1- $\frac{7}{8}$ "
SP-DS5009	5- $\frac{5}{8}$ "	1- $\frac{7}{8}$ "
DS4510	5- $\frac{3}{4}$ "	1- $\frac{7}{8}$ "
SP-DS5010	5- $\frac{7}{8}$ "	2- $\frac{3}{8}$ "
SP-DS5011	6"	2- $\frac{3}{8}$ "
SP-DS5012	6- $\frac{1}{8}$ "	2- $\frac{3}{8}$ "
SP-DS5013	6- $\frac{1}{4}$ "	2- $\frac{3}{8}$ "
SP-DS5014	6- $\frac{3}{8}$ "	2- $\frac{3}{8}$ "
SP-DS5015	6- $\frac{1}{2}$ "	2- $\frac{3}{8}$ "
SP-DS5016	6- $\frac{5}{8}$ "	2- $\frac{3}{8}$ "
DS4520	6- $\frac{3}{4}$ "	2- $\frac{3}{8}$ "
SP-DS5017	6- $\frac{7}{8}$ "	2- $\frac{3}{8}$ "
SP-DS5018	7"	2- $\frac{3}{8}$ "
SP-DS5019	7- $\frac{1}{8}$ "	2- $\frac{3}{8}$ "
SP-DS5020	7- $\frac{1}{4}$ "	2- $\frac{3}{8}$ "
SP-DS5021	7- $\frac{3}{8}$ "	2- $\frac{3}{8}$ "
SP-DS5022	7- $\frac{1}{2}$ "	2- $\frac{3}{8}$ "
SP-DS5023	7- $\frac{5}{8}$ "	2- $\frac{3}{8}$ "
SP-DS5024	7- $\frac{3}{4}$ "	2- $\frac{3}{8}$ "
SP-DS5025	7- $\frac{7}{8}$ "	2- $\frac{7}{8}$ "
SP-DS5026	8"	2- $\frac{7}{8}$ "
SP-DS5027	8- $\frac{1}{8}$ "	2- $\frac{7}{8}$ "
SP-DS5028	8- $\frac{1}{4}$ "	2- $\frac{7}{8}$ "
SP-DS5029	8- $\frac{3}{8}$ "	2- $\frac{7}{8}$ "
SP-DS5030	8- $\frac{1}{2}$ "	2- $\frac{7}{8}$ "
SP-DS5031	8- $\frac{5}{8}$ "	2- $\frac{7}{8}$ "
SP-DS5032	8- $\frac{3}{4}$ "	2- $\frac{7}{8}$ "
SP-DS5033	8- $\frac{7}{8}$ "	2- $\frac{7}{8}$ "
SP-DS5034	9"	2- $\frac{7}{8}$ "



SDSM4500 - Special Double-Lipped Strikes Center Hung for Mortise Lock (No Dead Bolt)

Innovation, Quality,
Customer Service...

The sizing chart on the right lists custom layout numbers for all frame sizes from 5- $\frac{1}{4}$ " to 9" for:

- Center hung door
- Mortise lock application (no dead bolt)

ABH has the capability to custom manufacture thousands of different custom double-lipped strikes to fit nearly every application.

Please contact us if you need to match existing preps or if additional customizations are required and we will gladly assist.

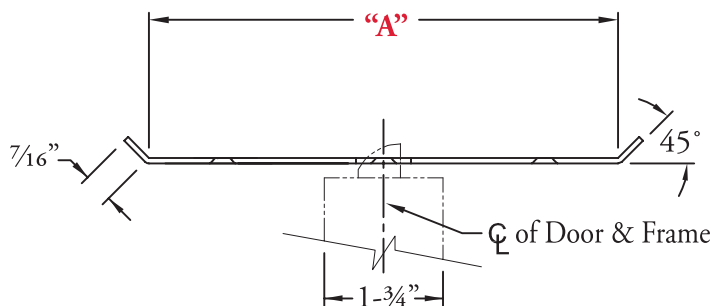
How to Order

Example SDSM4500 x US32D x SP-DS5066

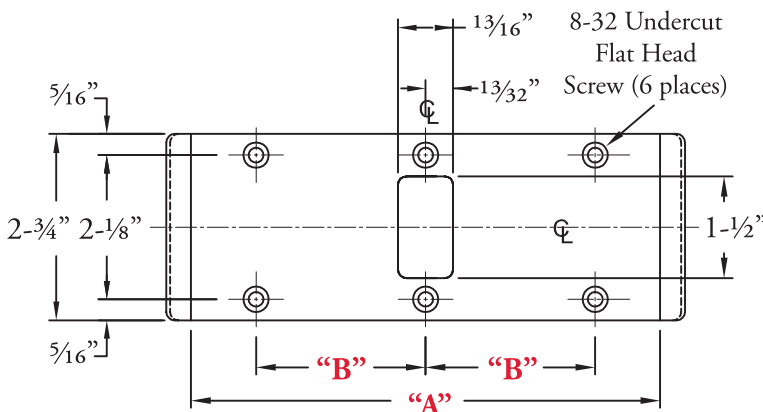
Part Number	Finish	Custom Layout Number	Quantity
SDSM4500			
SDSM4500			

Custom Layout Number	Frame Size	Center to Center Mounting Holes
	"A"	"B"
SP-DS5066	5- $\frac{1}{4}$ "	1- $\frac{7}{8}$ "
SP-DS5067	5- $\frac{3}{8}$ "	1- $\frac{7}{8}$ "
SP-DS5068	5- $\frac{1}{2}$ "	1- $\frac{7}{8}$ "
SP-DS5069	5- $\frac{5}{8}$ "	1- $\frac{7}{8}$ "
SP-DS5070	5- $\frac{3}{4}$ "	1- $\frac{7}{8}$ "
SP-DS5071	5- $\frac{7}{8}$ "	2- $\frac{3}{8}$ "
SP-DS5072	6"	2- $\frac{3}{8}$ "
SP-DS5073	6- $\frac{1}{8}$ "	2- $\frac{3}{8}$ "
SP-DS5074	6- $\frac{1}{4}$ "	2- $\frac{3}{8}$ "
SP-DS5075	6- $\frac{3}{8}$ "	2- $\frac{3}{8}$ "
SP-DS5076	6- $\frac{1}{2}$ "	2- $\frac{3}{8}$ "
SP-DS5077	6- $\frac{5}{8}$ "	2- $\frac{3}{8}$ "
SP-DS5078	6- $\frac{3}{4}$ "	2- $\frac{3}{8}$ "
SP-DS5079	6- $\frac{7}{8}$ "	2- $\frac{3}{8}$ "
SP-DS5080	7"	2- $\frac{3}{8}$ "
SP-DS5081	7- $\frac{1}{8}$ "	2- $\frac{3}{8}$ "
SP-DS5082	7- $\frac{1}{4}$ "	2- $\frac{3}{8}$ "
SP-DS5083	7- $\frac{3}{8}$ "	2- $\frac{3}{8}$ "
SP-DS5084	7- $\frac{1}{2}$ "	2- $\frac{3}{8}$ "
SP-DS5085	7- $\frac{5}{8}$ "	2- $\frac{3}{8}$ "
SP-DS5086	7- $\frac{3}{4}$ "	2- $\frac{3}{8}$ "
SP-DS5087	7- $\frac{7}{8}$ "	2- $\frac{7}{8}$ "
SP-DS5088	8"	2- $\frac{7}{8}$ "
SP-DS5089	8- $\frac{1}{8}$ "	2- $\frac{7}{8}$ "
SP-DS5090	8- $\frac{1}{4}$ "	2- $\frac{7}{8}$ "
SP-DS5091	8- $\frac{3}{8}$ "	2- $\frac{7}{8}$ "
SP-DS5092	8- $\frac{1}{2}$ "	2- $\frac{7}{8}$ "
SP-DS5093	8- $\frac{5}{8}$ "	2- $\frac{7}{8}$ "
SP-DS5094	8- $\frac{3}{4}$ "	2- $\frac{7}{8}$ "
SP-DS5095	8- $\frac{7}{8}$ "	2- $\frac{7}{8}$ "
SP-DS5096	9"	2- $\frac{7}{8}$ "

Top View



Front View



SDSM4500 - Special Double-Lipped Strikes Center Hung for Mortise Lock (With Dead Bolt)

Innovation, Quality,
Customer Service...

The sizing chart on the right lists custom layout numbers for all frame sizes from 5- $\frac{1}{4}$ " to 9" for:

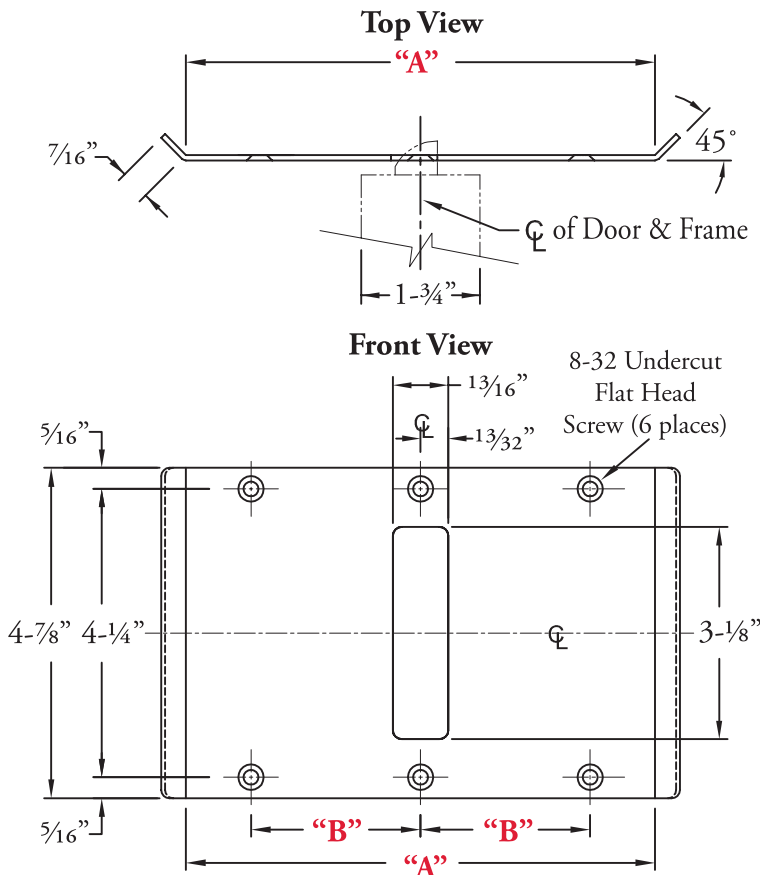
- Center hung door
- Mortise lock application (with dead bolt)

ABH has the capability to custom manufacture thousands of different custom double-lipped strikes to fit nearly every application.

Please contact us if you need to match existing preps or if additional customizations are required and we will gladly assist.

How to Order			
Example SDSM4500 x US32D x SP-DS5250			
Part Number	Finish	Custom Layout Number	Quantity
SDSM4500			
Please specify mortise lock body manufacturer when placing order.			

Custom Layout Number	Frame Size	Center to Center Mounting Holes
	"A"	"B"
SP-DS5128	5- $\frac{1}{4}$ "	1- $\frac{7}{8}$ "
SP-DS5129	5- $\frac{3}{8}$ "	1- $\frac{7}{8}$ "
SP-DS5130	5- $\frac{1}{2}$ "	1- $\frac{7}{8}$ "
SP-DS5131	5- $\frac{5}{8}$ "	1- $\frac{7}{8}$ "
SP-DS5132	5- $\frac{3}{4}$ "	1- $\frac{7}{8}$ "
SP-DS5133	5- $\frac{7}{8}$ "	2- $\frac{3}{8}$ "
SP-DS5134	6"	2- $\frac{3}{8}$ "
SP-DS5135	6- $\frac{1}{8}$ "	2- $\frac{3}{8}$ "
SP-DS5136	6- $\frac{1}{4}$ "	2- $\frac{3}{8}$ "
SP-DS5137	6- $\frac{3}{8}$ "	2- $\frac{3}{8}$ "
SP-DS5138	6- $\frac{1}{2}$ "	2- $\frac{3}{8}$ "
SP-DS5139	6- $\frac{5}{8}$ "	2- $\frac{3}{8}$ "
SP-DS5140	6- $\frac{3}{4}$ "	2- $\frac{3}{8}$ "
SP-DS5141	6- $\frac{7}{8}$ "	2- $\frac{3}{8}$ "
SP-DS5142	7"	2- $\frac{3}{8}$ "
SP-DS5143	7- $\frac{1}{8}$ "	2- $\frac{3}{8}$ "
SP-DS5144	7- $\frac{1}{4}$ "	2- $\frac{3}{8}$ "
SP-DS5145	7- $\frac{3}{8}$ "	2- $\frac{3}{8}$ "
SP-DS5146	7- $\frac{1}{2}$ "	2- $\frac{3}{8}$ "
SP-DS5147	7- $\frac{5}{8}$ "	2- $\frac{3}{8}$ "
SP-DS5148	7- $\frac{3}{4}$ "	2- $\frac{3}{8}$ "
SP-DS5149	7- $\frac{7}{8}$ "	2- $\frac{7}{8}$ "
SP-DS5150	8"	2- $\frac{7}{8}$ "
SP-DS5151	8- $\frac{1}{8}$ "	2- $\frac{7}{8}$ "
SP-DS5152	8- $\frac{1}{4}$ "	2- $\frac{7}{8}$ "
SP-DS5153	8- $\frac{3}{8}$ "	2- $\frac{7}{8}$ "
SP-DS5154	8- $\frac{1}{2}$ "	2- $\frac{7}{8}$ "
SP-DS5155	8- $\frac{5}{8}$ "	2- $\frac{7}{8}$ "
SP-DS5156	8- $\frac{3}{4}$ "	2- $\frac{7}{8}$ "
SP-DS5157	8- $\frac{7}{8}$ "	2- $\frac{7}{8}$ "
SP-DS5158	9"	2- $\frac{7}{8}$ "



SDS4500 - Special Double-Lipped Strikes 1/8" Inset for Cylindrical Latch

Innovation, Quality,
Customer Service...

The sizing chart on the right lists custom layout numbers for all frame sizes from 5-1/4" to 9" for:

- 1/8" inset door
- Cylindrical latch application

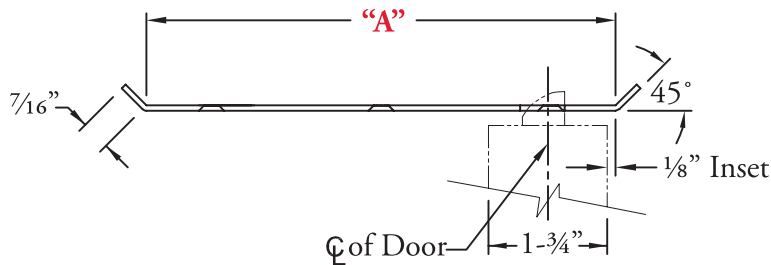
ABH has the capability to custom manufacture thousands of different custom double-lipped strikes to fit nearly every application.

Please contact us if you need to match existing preps or if additional customizations are required and we will gladly assist.

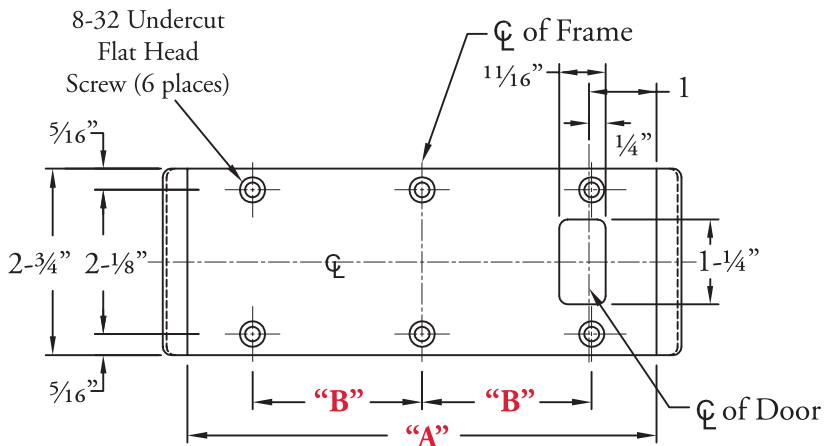
How to Order			
Example SDS4500 x US32D x SP-DS5190			
Part Number	Finish	Custom Layout Number	Quantity
SDS4500			
SDS4500			

Custom Layout Number	Frame Size	Center to Center Mounting Holes
	"A"	"B"
SP-DS5190	5-1/4"	1-7/8"
SP-DS5191	5-3/8"	1-7/8"
SP-DS5192	5-1/2"	1-7/8"
SP-DS5193	5-5/8"	1-7/8"
DS4530	5-3/4"	1-7/8"
SP-DS5194	5-7/8"	2-3/8"
SP-DS5195	6"	2-3/8"
SP-DS5196	6-1/8"	2-3/8"
SP-DS5197	6-1/4"	2-3/8"
SP-DS5198	6-3/8"	2-3/8"
SP-DS5199	6-1/2"	2-3/8"
SP-DS5200	6-5/8"	2-3/8"
DS4540	6-3/4"	2-3/8"
SP-DS5201	6-7/8"	2-3/8"
SP-DS5202	7"	2-3/8"
SP-DS5203	7-1/8"	2-3/8"
SP-DS5204	7-1/4"	2-3/8"
SP-DS5205	7-3/8"	2-3/8"
SP-DS5206	7-1/2"	2-3/8"
SP-DS5207	7-5/8"	2-3/8"
SP-DS5208	7-3/4"	2-3/8"
SP-DS5209	7-7/8"	2-7/8"
SP-DS5210	8"	2-7/8"
SP-DS5211	8-1/8"	2-7/8"
SP-DS5212	8-1/4"	2-7/8"
SP-DS5213	8-3/8"	2-7/8"
SP-DS5214	8-1/2"	2-7/8"
SP-DS5215	8-5/8"	2-7/8"
SP-DS5216	8-3/4"	2-7/8"
SP-DS5217	8-7/8"	2-7/8"
SP-DS5218	9"	2-7/8"

Top View



Front View



SDSM4500 - Special Double-Lipped Strikes 1/8" Inset for Mortise Lock (No Dead Bolt)

Innovation, Quality,
Customer Service...

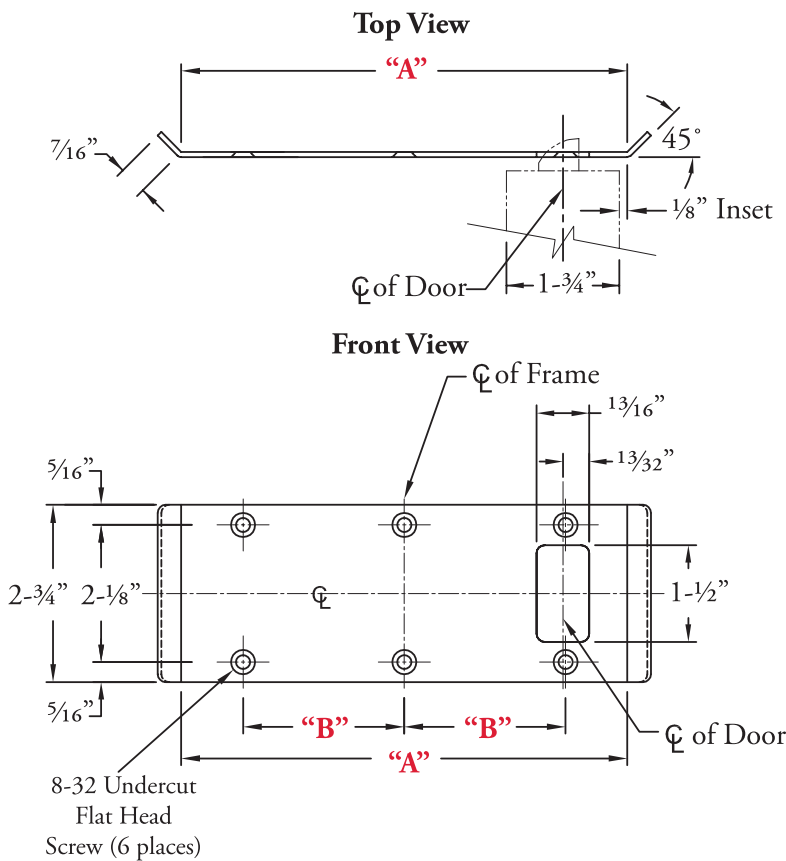
The sizing chart on the right lists custom layout numbers for all frame sizes from 5-1/4" to 9" for:

- 1/8" inset door
- Mortise lock application (no dead bolt)

ABH has the capability to custom manufacture thousands of different custom double-lipped strikes to fit nearly every application.

Please contact us if you need to match existing preps or if additional customizations are required and we will gladly assist.

How to Order			
Example SDSM4500 x US32D x SP-DS5250			
Part Number	Finish	Custom Layout Number	Quantity
SDSM4500			
SDSM4500			



Custom Layout Number	Frame Size	Center to Center Mounting Holes
	"A"	"B"
SP-DS5250	5-1/4"	1-7/8"
SP-DS5251	5-3/8"	1-7/8"
SP-DS5252	5-1/2"	1-7/8"
SP-DS5253	5-5/8"	1-7/8"
SP-DS5254	5-3/4"	1-7/8"
SP-DS5255	5-7/8"	2-3/8"
SP-DS5256	6"	2-3/8"
SP-DS5257	6-1/8"	2-3/8"
SP-DS5258	6-1/4"	2-3/8"
SP-DS5259	6-3/8"	2-3/8"
SP-DS5260	6-1/2"	2-3/8"
SP-DS5261	6-5/8"	2-3/8"
SP-DS5262	6-3/4"	2-3/8"
SP-DS5263	6-7/8"	2-3/8"
SP-DS5264	7"	2-3/8"
SP-DS5265	7-1/8"	2-3/8"
SP-DS5266	7-1/4"	2-3/8"
SP-DS5267	7-3/8"	2-3/8"
SP-DS5268	7-1/2"	2-3/8"
SP-DS5269	7-5/8"	2-3/8"
SP-DS5270	7-3/4"	2-3/8"
SP-DS5271	7-7/8"	2-7/8"
SP-DS5272	8"	2-7/8"
SP-DS5273	8-1/8"	2-7/8"
SP-DS5274	8-1/4"	2-7/8"
SP-DS5275	8-3/8"	2-7/8"
SP-DS5276	8-1/2"	2-7/8"
SP-DS5277	8-5/8"	2-7/8"
SP-DS5278	8-3/4"	2-7/8"
SP-DS5279	8-7/8"	2-7/8"
SP-DS5280	9"	2-7/8"



SDSM4500 - Special Double-Lipped Strikes 1/8" Inset for Mortise Lock (With Dead Bolt)

Innovation, Quality,
Customer Service...

The sizing chart on the right lists custom layout numbers for all frame sizes from 5-1/4" to 9" for:

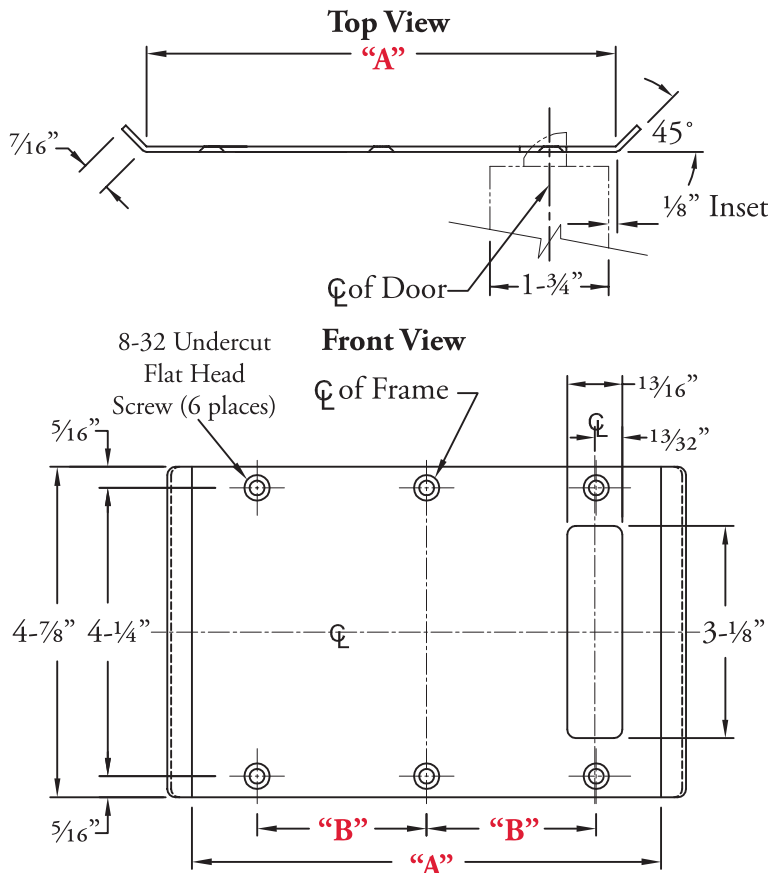
- 1/8" inset door
- Mortise lock application (with dead bolt)

ABH has the capability to custom manufacture thousands of different custom double-lipped strikes to fit nearly every application.

Please contact us if you need to match existing preps or if additional customizations are required and we will gladly assist.

How to Order			
Example SDSM4500 x US32D x SP-CR5312			
Part Number	Finish	Custom Layout Number	Quantity
SDSM4500			
Please specify mortise lock body manufacturer when placing order.			

Custom Layout Number	Frame Size	Center to Center Mounting Holes
	"A"	"B"
SP-DS5312	5-1/4"	1-7/8"
SP-DS5313	5-3/8"	1-7/8"
SP-DS5314	5-1/2"	1-7/8"
SP-DS5315	5-5/8"	1-7/8"
SP-DS5316	5-3/4"	1-7/8"
SP-DS5317	5-7/8"	2-3/8"
SP-DS5318	6"	2-3/8"
SP-DS5319	6-1/8"	2-3/8"
SP-DS5320	6-1/4"	2-3/8"
SP-DS5321	6-3/8"	2-3/8"
SP-DS5322	6-1/2"	2-3/8"
SP-DS5323	6-5/8"	2-3/8"
SP-DS5324	6-3/4"	2-3/8"
SP-DS5325	6-7/8"	2-3/8"
SP-DS5326	7"	2-3/8"
SP-DS5327	7-1/8"	2-3/8"
SP-DS5328	7-1/4"	2-3/8"
SP-DS5329	7-3/8"	2-3/8"
SP-DS5330	7-1/2"	2-3/8"
SP-DS5331	7-5/8"	2-3/8"
SP-DS5332	7-3/4"	2-3/8"
SP-DS5333	7-7/8"	2-7/8"
SP-DS5334	8"	2-7/8"
SP-DS5335	8-1/8"	2-7/8"
SP-DS5336	8-1/4"	2-7/8"
SP-DS5337	8-3/8"	2-7/8"
SP-DS5338	8-1/2"	2-7/8"
SP-DS5339	8-5/8"	2-7/8"
SP-DS5340	8-3/4"	2-7/8"
SP-DS5341	8-7/8"	2-7/8"
SP-DS5342	9"	2-7/8"

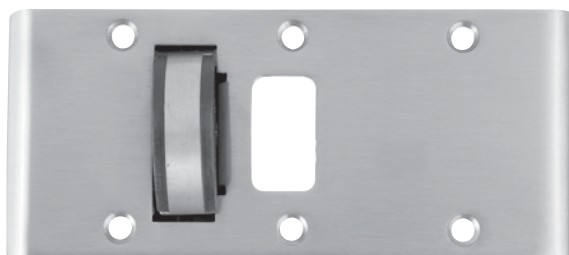


Double-Lipped Strike & Rescue Stop Combos Half-Moon Style

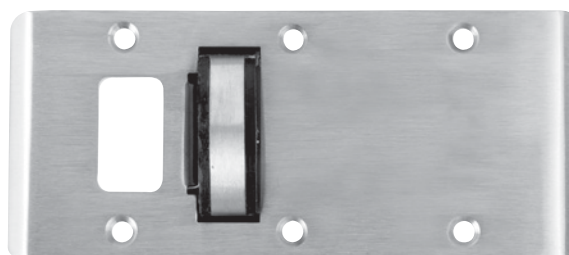
Innovation, Quality,
Customer Service...

Standard Features

- Intended for use in hospital or nursing home patient bathroom doors
- Allows door to open in both directions without damaging the frame after manually rotating the rescue stop into the frame
- Stop automatically returns to projected position when released
- Built-in hold back option
- Door to be mounted on center hung pivot set - ABH 0327, 0127, 0128 or 0370 (see pivot section for details)
- For use on 1-3/4" thick doors - center hung or 1/8" inset
- Cut-out is standard for cylindrical latches. Custom units available for mortise locks (see pages J-11 to J-16)
- Standard frame sizes are 5-3/4" and 6-3/4". Custom frame sizes available (see pages J-11 to J-16)
- Supplied with 8-32 x 3/8" undercut machine screws
- .074" thick stainless steel material
- Available in US32D, US32, US10B, US10, US3 and US4 finishes - Contact factory for custom finish
- Meets and/or exceeds ANSI Standard A1882



Center Hung Door - Cylindrical Latch
CR4550 - 5-3/4" Frame
CR4560 - 6-3/4" Frame



1/8" Inset Door - Cylindrical
CR4570 - 5-3/4" Frame
CR4580 - 6-3/4" Frame

Model Number	Frame Size	Strike Height	Latch Type	Door Inset
CR4550	5-3/4"	2-3/4"	Cylindrical	Center Hung
CR4560	6-3/4"	2-3/4"	Cylindrical	Center Hung
CR4570	5-3/4"	2-3/4"	Cylindrical	1/8" Inset
CR4580	6-3/4"	2-3/4"	Cylindrical	1/8" Inset



SCR4550 Special Double-Lipped Strike & Rescue Stop Combo Center Hung for Cylindrical Latch

Innovation, Quality,
Customer Service...

The sizing chart on the right lists custom layout numbers for all frame sizes from 5-1/4" to 9" for:

- Center hung door
- Cylindrical latch application

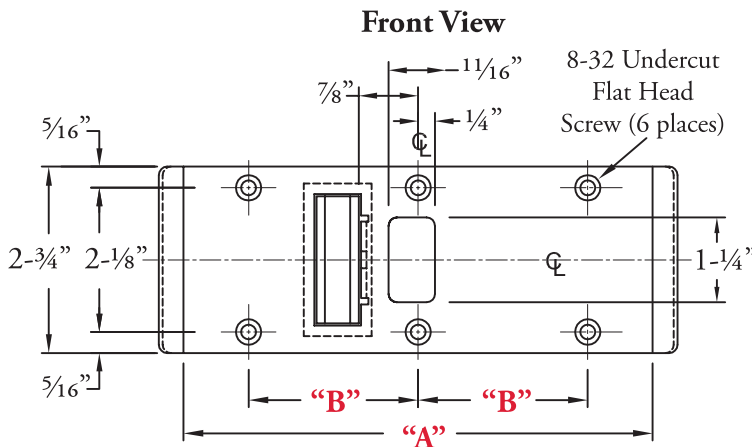
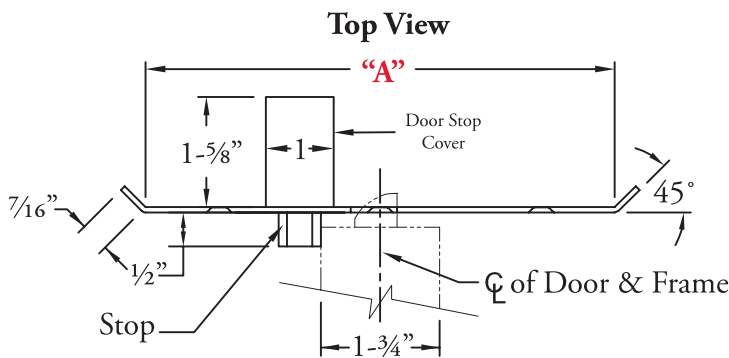
ABH has the capability to custom manufacture thousands of different custom double-lipped strike and rescue stop combos to fit nearly every application.

Please contact us if you need to match existing preps or if additional customizations are required and we will gladly assist.

How to Order

Example SCR4550 x US32D x SP-CR506

Part Number	Finish	Custom Layout Number	Quantity
SCR4550			
SCR4550			



Custom Layout Number	Frame Size	Center to Center Mounting Holes
	"A"	"B"
SP-CR506	5-1/4"	1-7/8"
SP-CR507	5-3/8"	1-7/8"
SP-CR508	5-1/2"	1-7/8"
SP-CR509	5-5/8"	1-7/8"
CR4550	5-3/4"	1-7/8"
SP-CR510	5-7/8"	2-3/8"
SP-CR511	6"	2-3/8"
SP-CR512	6-1/8"	2-3/8"
SP-CR513	6-1/4"	2-3/8"
SP-CR514	6-3/8"	2-3/8"
SP-CR515	6-1/2"	2-3/8"
SP-CR516	6-5/8"	2-3/8"
CR4560	6-3/4"	2-3/8"
SP-CR517	6-7/8"	2-3/8"
SP-CR518	7"	2-3/8"
SP-CR519	7-1/8"	2-3/8"
SP-CR520	7-1/4"	2-3/8"
SP-CR521	7-3/8"	2-3/8"
SP-CR522	7-1/2"	2-3/8"
SP-CR523	7-5/8"	2-3/8"
SP-CR524	7-3/4"	2-3/8"
SP-CR525	7-7/8"	2-7/8"
SP-CR526	8"	2-7/8"
SP-CR527	8-1/8"	2-7/8"
SP-CR528	8-1/4"	2-7/8"
SP-CR529	8-3/8"	2-7/8"
SP-CR530	8-1/2"	2-7/8"
SP-CR531	8-5/8"	2-7/8"
SP-CR532	8-3/4"	2-7/8"
SP-CR533	8-7/8"	2-7/8"
SP-CR534	9"	2-7/8"



SCRM4550

Special Double-Lipped Strike & Rescue Stop Combo Center Hung for Mortise Lock (No Dead Bolt)

The sizing chart on the right lists custom layout numbers for all frame sizes from 5- $\frac{1}{4}$ " to 9" for:

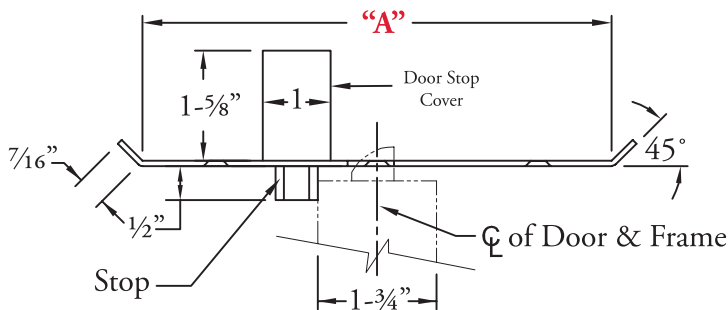
- Center hung door
- Mortise lock application (no dead bolt)

ABH has the capability to custom manufacture thousands of different custom double-lipped strike and rescue stop combos to fit nearly every application.

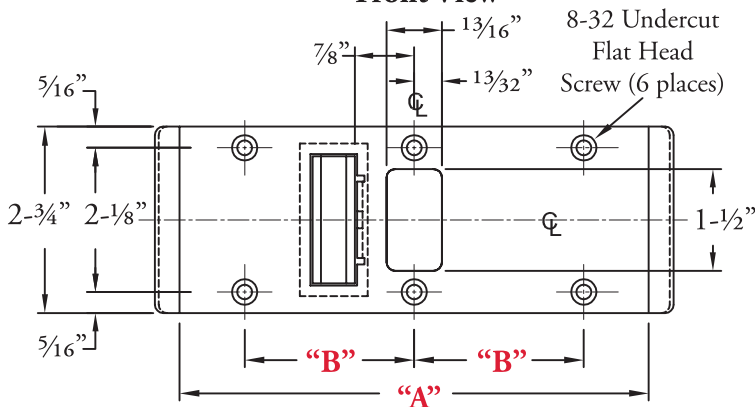
Please contact us if you need to match existing preps or if additional customizations are required and we will gladly assist.

How to Order			
Example SCRM4550 x US32D x SP-CR566			
Part Number	Finish	Custom Layout Number	Quantity
SCRM4550			
SCRM4550			

Top View



Front View



Custom Layout Number	Frame Size	Center to Center Mounting Holes
	"A"	"B"
SP-CR566	5- $\frac{1}{4}$ "	1- $\frac{7}{8}$ "
SP-CR567	5- $\frac{3}{8}$ "	1- $\frac{7}{8}$ "
SP-CR568	5- $\frac{1}{2}$ "	1- $\frac{7}{8}$ "
SP-CR569	5- $\frac{5}{8}$ "	1- $\frac{7}{8}$ "
SP-CR570	5- $\frac{3}{4}$ "	1- $\frac{7}{8}$ "
SP-CR571	5- $\frac{7}{8}$ "	2- $\frac{3}{8}$ "
SP-CR572	6"	2- $\frac{3}{8}$ "
SP-CR573	6- $\frac{1}{8}$ "	2- $\frac{3}{8}$ "
SP-CR574	6- $\frac{1}{4}$ "	2- $\frac{3}{8}$ "
SP-CR575	6- $\frac{3}{8}$ "	2- $\frac{3}{8}$ "
SP-CR576	6- $\frac{1}{2}$ "	2- $\frac{3}{8}$ "
SP-CR577	6- $\frac{5}{8}$ "	2- $\frac{3}{8}$ "
SP-CR578	6- $\frac{3}{4}$ "	2- $\frac{3}{8}$ "
SP-CR579	6- $\frac{7}{8}$ "	2- $\frac{3}{8}$ "
SP-CR580	7"	2- $\frac{3}{8}$ "
SP-CR581	7- $\frac{1}{8}$ "	2- $\frac{3}{8}$ "
SP-CR582	7- $\frac{1}{4}$ "	2- $\frac{3}{8}$ "
SP-CR583	7- $\frac{3}{8}$ "	2- $\frac{3}{8}$ "
SP-CR584	7- $\frac{1}{2}$ "	2- $\frac{3}{8}$ "
SP-CR585	7- $\frac{5}{8}$ "	2- $\frac{3}{8}$ "
SP-CR586	7- $\frac{3}{4}$ "	2- $\frac{3}{8}$ "
SP-CR587	7- $\frac{7}{8}$ "	2- $\frac{7}{8}$ "
SP-CR588	8"	2- $\frac{7}{8}$ "
SP-CR589	8- $\frac{1}{8}$ "	2- $\frac{7}{8}$ "
SP-CR590	8- $\frac{1}{4}$ "	2- $\frac{7}{8}$ "
SP-CR591	8- $\frac{3}{8}$ "	2- $\frac{7}{8}$ "
SP-CR592	8- $\frac{1}{2}$ "	2- $\frac{7}{8}$ "
SP-CR593	8- $\frac{5}{8}$ "	2- $\frac{7}{8}$ "
SP-CR594	8- $\frac{3}{4}$ "	2- $\frac{7}{8}$ "
SP-CR595	8- $\frac{7}{8}$ "	2- $\frac{7}{8}$ "
SP-CR596	9"	2- $\frac{7}{8}$ "



SCRM4550

Special Double-Lipped Strike & Rescue Stop Combo Center Hung for Mortise Lock (With Dead Bolt)

Innovation, Quality,
Customer Service...

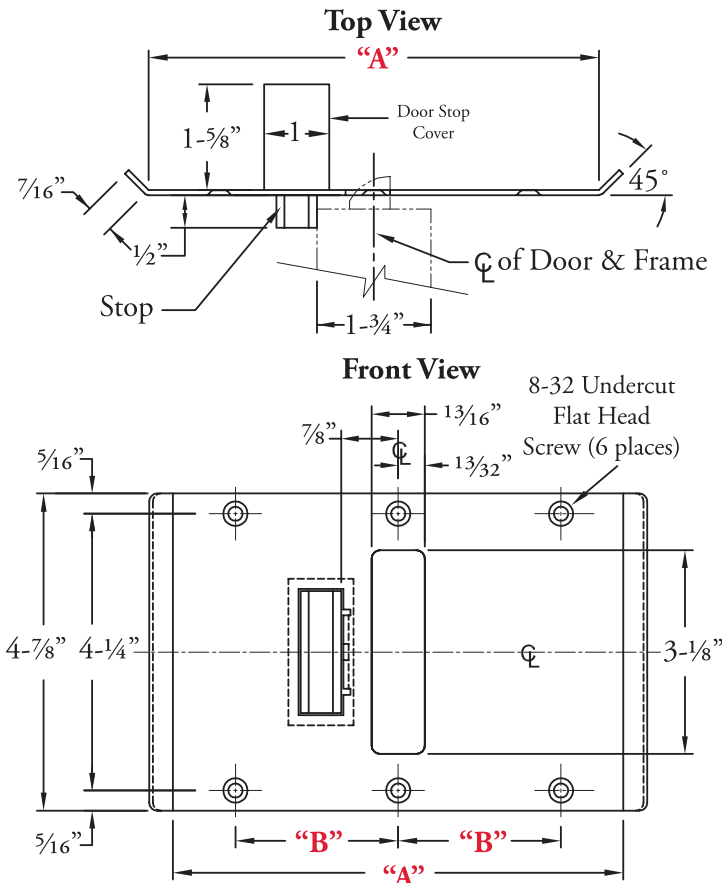
The sizing chart on the right lists custom layout numbers for all frame sizes from 5- $\frac{1}{4}$ " to 9" for:

- Center hung door
- Mortise lock application (with dead bolt)

ABH has the capability to custom manufacture thousands of different custom double-lipped strike and rescue stop combos to fit nearly every application.

Please contact us if you need to match existing preps or if additional customizations are required and we will gladly assist.

How to Order			
Example SCRM4550 x US32D x SP-CR628			
Part Number	Finish	Custom Layout Number	Quantity
SCRM4550			
Please specify mortise lock body manufacturer when placing order.			



Custom Layout Number	Frame Size	Center to Center Mounting Holes
	"A"	"B"
SP-CR628	5- $\frac{1}{4}$ "	1- $\frac{7}{8}$ "
SP-CR629	5- $\frac{3}{8}$ "	1- $\frac{7}{8}$ "
SP-CR630	5- $\frac{1}{2}$ "	1- $\frac{7}{8}$ "
SP-CR631	5- $\frac{5}{8}$ "	1- $\frac{7}{8}$ "
SP-CR632	5- $\frac{3}{4}$ "	1- $\frac{7}{8}$ "
SP-CR633	5- $\frac{7}{8}$ "	2- $\frac{3}{8}$ "
SP-CR634	6"	2- $\frac{3}{8}$ "
SP-CR635	6- $\frac{1}{8}$ "	2- $\frac{3}{8}$ "
SP-CR636	6- $\frac{1}{4}$ "	2- $\frac{3}{8}$ "
SP-CR637	6- $\frac{3}{8}$ "	2- $\frac{3}{8}$ "
SP-CR638	6- $\frac{1}{2}$ "	2- $\frac{3}{8}$ "
SP-CR639	6- $\frac{5}{8}$ "	2- $\frac{3}{8}$ "
SP-CR640	6- $\frac{3}{4}$ "	2- $\frac{3}{8}$ "
SP-CR641	6- $\frac{7}{8}$ "	2- $\frac{3}{8}$ "
SP-CR642	7"	2- $\frac{3}{8}$ "
SP-CR643	7- $\frac{1}{8}$ "	2- $\frac{3}{8}$ "
SP-CR644	7- $\frac{1}{4}$ "	2- $\frac{3}{8}$ "
SP-CR645	7- $\frac{3}{8}$ "	2- $\frac{3}{8}$ "
SP-CR646	7- $\frac{1}{2}$ "	2- $\frac{3}{8}$ "
SP-CR647	7- $\frac{5}{8}$ "	2- $\frac{3}{8}$ "
SP-CR648	7- $\frac{3}{4}$ "	2- $\frac{3}{8}$ "
SP-CR649	7- $\frac{7}{8}$ "	2- $\frac{7}{8}$ "
SP-CR650	8"	2- $\frac{7}{8}$ "
SP-CR651	8- $\frac{1}{8}$ "	2- $\frac{7}{8}$ "
SP-CR652	8- $\frac{1}{4}$ "	2- $\frac{7}{8}$ "
SP-CR653	8- $\frac{3}{8}$ "	2- $\frac{7}{8}$ "
SP-CR654	8- $\frac{1}{2}$ "	2- $\frac{7}{8}$ "
SP-CR655	8- $\frac{5}{8}$ "	2- $\frac{7}{8}$ "
SP-CR656	8- $\frac{3}{4}$ "	2- $\frac{7}{8}$ "
SP-CR657	8- $\frac{7}{8}$ "	2- $\frac{7}{8}$ "
SP-CR658	9"	2- $\frac{7}{8}$ "



SCR4550 Special Double-Lipped Strike & Rescue Stop Combo 1/8" Inset for Cylindrical Latch

Innovation, Quality,
Customer Service...

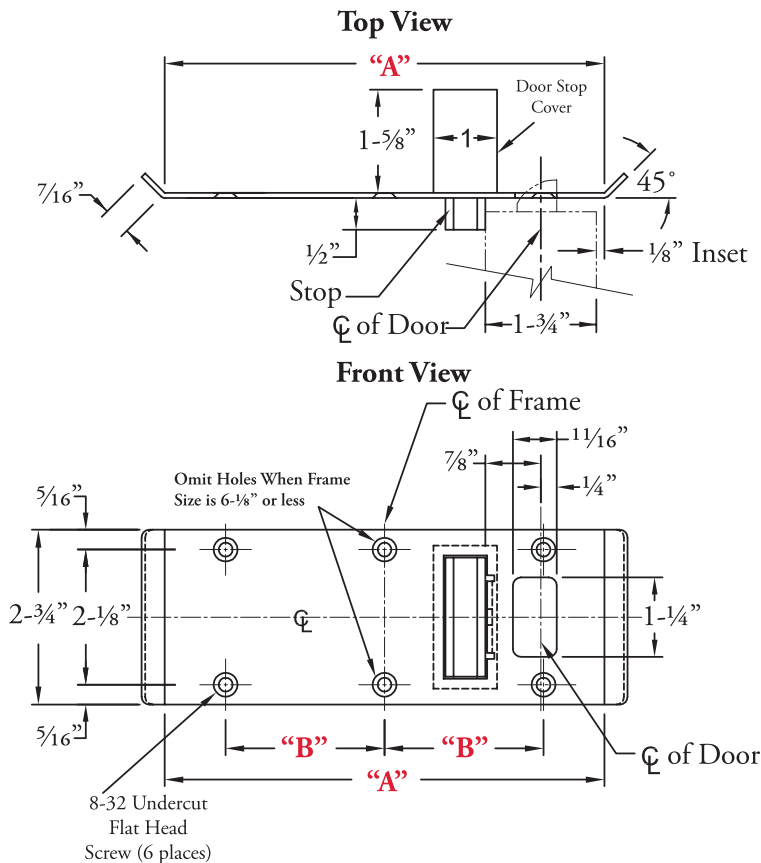
The sizing chart on the right lists custom layout numbers for all frame sizes from 5-1/4" to 9" for:

- 1/8" inset door
- Cylindrical latch application

ABH has the capability to custom manufacture thousands of different custom double-lipped strike and rescue stop combos to fit nearly every application.

Please contact us if you need to match existing preps or if additional customizations are required and we will gladly assist.

How to Order			
Example SCR4550 x US32D x SP-CR690			
Part Number	Finish	Custom Layout Number	Quantity
SCR4550			
SCR4550			



Custom Layout Number	Frame Size	Center to Center Mounting Holes
	"A"	"B"
SP-CR690	5-1/4"	1-7/8"
SP-CR691	5-3/8"	1-7/8"
SP-CR692	5-1/2"	1-7/8"
SP-CR693	5-5/8"	1-7/8"
CR4570	5-3/4"	1-7/8"
SP-CR694	5-7/8"	2-3/8"
SP-CR695	6"	2-3/8"
SP-CR696	6-1/8"	2-3/8"
SP-CR697	6-1/4"	2-3/8"
SP-CR698	6-3/8"	2-3/8"
SP-CR699	6-1/2"	2-3/8"
SP-CR700	6-5/8"	2-3/8"
CR4580	6-3/4"	2-3/8"
SP-CR701	6-7/8"	2-3/8"
SP-CR702	7"	2-3/8"
SP-CR703	7-1/8"	2-3/8"
SP-CR704	7-1/4"	2-3/8"
SP-CR705	7-3/8"	2-3/8"
SP-CR706	7-1/2"	2-3/8"
SP-CR707	7-5/8"	2-3/8"
SP-CR708	7-3/4"	2-3/8"
SP-CR709	7-7/8"	2-7/8"
SP-CR710	8"	2-7/8"
SP-CR711	8-1/8"	2-7/8"
SP-CR712	8-1/4"	2-7/8"
SP-CR713	8-3/8"	2-7/8"
SP-CR714	8-1/2"	2-7/8"
SP-CR715	8-5/8"	3-3/8"
SP-CR716	8-3/4"	3-3/8"
SP-CR717	8-7/8"	3-3/8"
SP-CR718	9"	3-3/8"



SCRM4550

Special Double-Lipped Strike & Rescue Stop Combo 1/8" Inset for Mortise Lock (No Dead Bolt)

The sizing chart on the right lists custom layout numbers for all frame sizes from 5-1/4" to 9" for:

- 1/8" inset door
- Mortise lock application (no dead bolt)

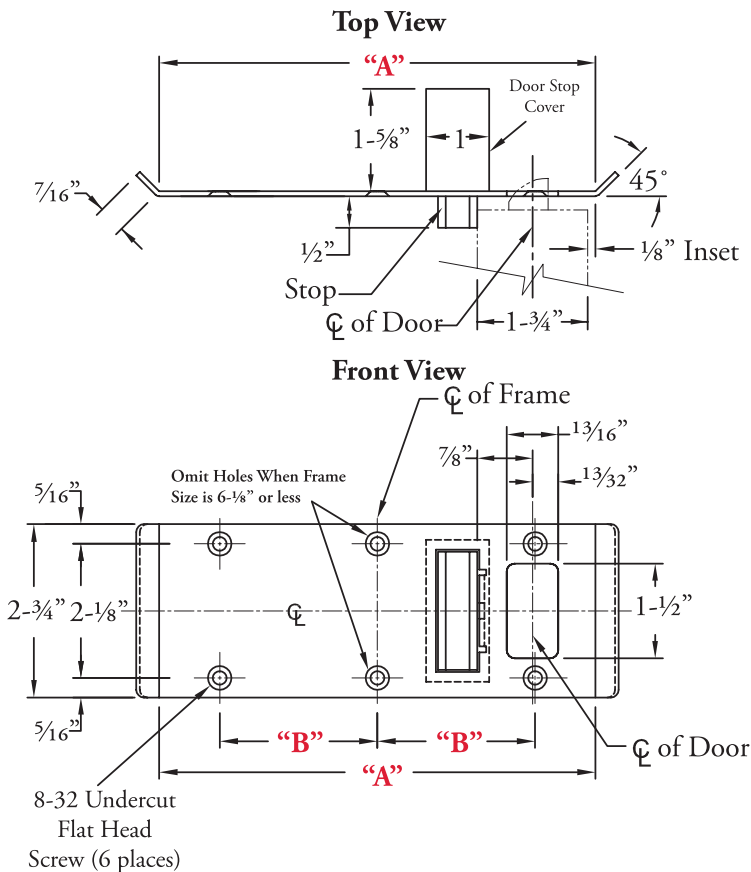
ABH has the capability to custom manufacture thousands of different custom double-lipped strike and rescue stop combos to fit nearly every application.

Please contact us if you need to match existing preps or if additional customizations are required and we will gladly assist.

How to Order

Example SCRM4550 x US32D x SP-CR750

Part Number	Finish	Custom Layout Number	Quantity
SCRM4550			
SCRM4550			



Custom Layout Number	Frame Size	Center to Center Mounting Holes
	"A"	"B"
SP-CR750	5-1/4"	1-7/8"
SP-CR751	5-3/8"	1-7/8"
SP-CR752	5-1/2"	1-7/8"
SP-CR753	5-5/8"	1-7/8"
SP-CR754	5-3/4"	1-7/8"
SP-CR755	5-7/8"	2-3/8"
SP-CR756	6"	2-3/8"
SP-CR757	6-1/8"	2-3/8"
SP-CR758	6-1/4"	2-3/8"
SP-CR759	6-3/8"	2-3/8"
SP-CR760	6-1/2"	2-3/8"
SP-CR761	6-5/8"	2-3/8"
SP-CR762	6-3/4"	2-3/8"
SP-CR763	6-7/8"	2-3/8"
SP-CR764	7"	2-3/8"
SP-CR765	7-1/8"	2-3/8"
SP-CR766	7-1/4"	2-3/8"
SP-CR767	7-3/8"	2-3/8"
SP-CR768	7-1/2"	2-3/8"
SP-CR769	7-5/8"	2-3/8"
SP-CR770	7-3/4"	2-3/8"
SP-CR771	7-7/8"	2-7/8"
SP-CR772	8"	2-7/8"
SP-CR773	8-1/8"	2-7/8"
SP-CR774	8-1/4"	2-7/8"
SP-CR775	8-3/8"	2-7/8"
SP-CR776	8-1/2"	2-7/8"
SP-CR777	8-5/8"	3-3/8"
SP-CR778	8-3/4"	3-3/8"
SP-CR779	8-7/8"	3-3/8"
SP-CR780	9"	3-3/8"



SCRM4550

Special Double-Lipped Strike & Rescue Stop Combo 1/8" Inset for Mortise Lock (With Dead Bolt)

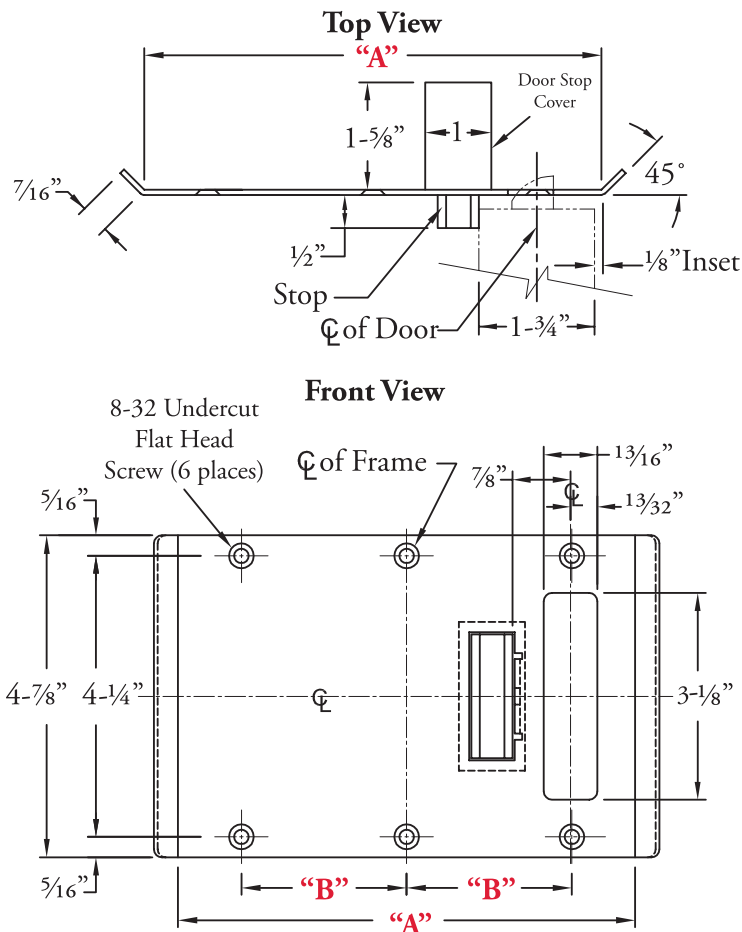
The sizing chart on the right lists custom layout numbers for all frame sizes from 5-1/4" to 9" for:

- 1/8" inset door
- Mortise lock application (with dead bolt)

ABH has the capability to custom manufacture thousands of different custom double-lipped strike and rescue stop combos to fit nearly every application.

Please contact us if you need to match existing preps or if additional customizations are required and we will gladly assist.

How to Order			
Example SCRM4550 x US32D x SP-CR812			
Part Number	Finish	Custom Layout Number	Quantity
SCRM4550			
Please specify mortise lock body manufacturer when placing order.			



Custom Layout Number	Frame Size	Center to Center Mounting Holes
	"A"	"B"
SP-CR812	5-1/4"	1-7/8"
SP-CR813	5-3/8"	1-7/8"
SP-CR814	5-1/2"	1-7/8"
SP-CR815	5-5/8"	1-7/8"
SP-CR816	5-3/4"	1-7/8"
SP-CR817	5-7/8"	2-3/8"
SP-CR818	6"	2-3/8"
SP-CR819	6-1/8"	2-3/8"
SP-CR820	6-1/4"	2-3/8"
SP-CR821	6-3/8"	2-3/8"
SP-CR822	6-1/2"	2-3/8"
SP-CR823	6-5/8"	2-3/8"
SP-CR824	6-3/4"	2-3/8"
SP-CR825	6-7/8"	2-3/8"
SP-CR826	7"	2-3/8"
SP-CR827	7-1/8"	2-3/8"
SP-CR828	7-1/4"	2-3/8"
SP-CR829	7-3/8"	2-3/8"
SP-CR830	7-1/2"	2-3/8"
SP-CR831	7-5/8"	2-3/8"
SP-CR832	7-1/4"	2-3/8"
SP-CR833	7-7/8"	2-7/8"
SP-CR834	8"	2-7/8"
SP-CR835	8-1/8"	2-7/8"
SP-CR836	8-1/4"	2-7/8"
SP-CR837	8-3/8"	2-7/8"
SP-CR838	8-1/2"	2-7/8"
SP-CR839	8-5/8"	2-7/8"
SP-CR840	8-3/4"	2-7/8"
SP-CR841	8-7/8"	2-7/8"
SP-CR842	9"	2-7/8"



Double-Lipped Strike & Rescue Stop Combos Flipper Style

Innovation, Quality,
Customer Service...

Standard Features

- Intended for use in hospital or nursing home patient bathroom doors
- Allows door to open in both directions without damaging the frame after manually pushing the rescue stop into the frame
- Stop automatically returns to projected position when released
- Door to be mounted on center hung pivot set – ABH 0327, 0127, 0128 or 0370 (see pivot section for details)
- For use on 1-3/4" thick doors - center hung or 1/8" inset
- Cut-out is standard for cylindrical latches. Custom units available for mortise locks (see pages J-19 to J-23)
- Standard frame sizes are 5-3/4" and 6-3/4". Custom frame sizes available (see pages J-18 to J-23)
- Supplied with 8-32 x 3/8" undercut machine screws
- .074" thick stainless steel material
- Available in US32D, US32, US10B, US10, US3 and US4 finishes – Contact factory for custom finish
- Meets and/or exceeds ANSI Standard A1882



Center Hung Door - Cylindrical Latch
CR4591 - 5-3/4" Frame
CR4592 - 6-3/4" Frame



1/8" Inset Door - Cylindrical Latch
CR4594 - 5-3/4" Frame
CR4593 - 6-3/4" Frame

Model Number	Frame Size	Strike Height	Latch Type	Door Inset
CR4591	5-3/4"	2-3/4"	Cylindrical	Center Hung
CR4592	6-3/4"	2-3/4"	Cylindrical	Center Hung
CR4594	5-3/4"	2-3/4"	Cylindrical	1/8" Inset
CR4593	6-3/4"	2-3/4"	Cylindrical	1/8" Inset



SCR4590 Special Double-Lipped Strike & Rescue Stop Combo Center Hung for Cylindrical Latch

Innovation, Quality,
Customer Service...

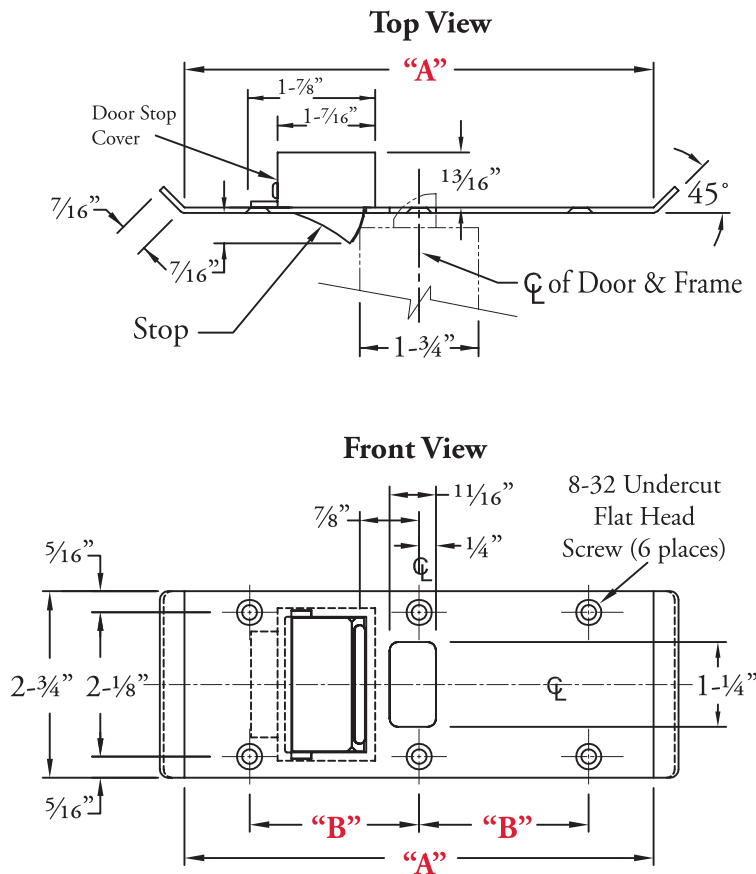
The sizing chart on the right lists custom layout numbers for all frame sizes from 5-1/4" to 9" for:

- Center hung door
- Cylindrical latch application

ABH has the capability to custom manufacture thousands of different custom double-lipped strike and rescue stop combos to fit nearly every application.

Please contact us if you need to match existing preps or if additional customizations are required and we will gladly assist.

How to Order			
Example SCR4590 x US32D x SP-CR868			
Part Number	Finish	Custom Layout Number	Quantity
SCR4590			
SCR4590			



Custom Layout Number	Frame Size	Center to Center Mounting Holes
	"A"	"B"
SP-CR868	5-1/4"	2-3/8"
SP-CR869	5-3/8"	2-3/8"
SP-CR870	5-1/2"	2-3/8"
SP-CR871	5-5/8"	2-3/8"
CR4591	5-3/4"	2-3/8"
SP-CR872	5-7/8"	2-3/8"
SP-CR873	6"	2-3/8"
SP-CR874	6-1/8"	2-3/8"
SP-CR875	6-1/4"	2-3/8"
SP-CR876	6-3/8"	2-3/8"
SP-CR877	6-1/2"	2-3/8"
SP-CR878	6-5/8"	2-3/8"
CR4592	6-3/4"	2-3/8"
SP-CR879	6-7/8"	2-3/8"
SP-CR880	7"	2-3/8"
SP-CR881	7-1/8"	2-3/8"
SP-CR882	7-1/4"	2-3/8"
SP-CR883	7-3/8"	2-3/8"
SP-CR884	7-1/2"	2-3/8"
SP-CR885	7-5/8"	3-3/8"
SP-CR886	7-3/4"	3-3/8"
SP-CR887	7-7/8"	3-3/8"
SP-CR888	8"	3-3/8"
SP-CR889	8-1/8"	3-3/8"
SP-CR890	8-1/4"	3-3/8"
SP-CR891	8-3/8"	3-3/8"
SP-CR892	8-1/2"	3-3/8"
SP-CR893	8-5/8"	3-3/8"
SP-CR894	8-3/4"	3-3/8"
SP-CR895	8-7/8"	3-3/8"
SP-CR896	9"	3-3/8"



SCRM4590 Special Double-Lipped Strike & Rescue Stop Combo Center Hung for Mortise Lock (No Dead Bolt)

Innovation, Quality,
Customer Service...

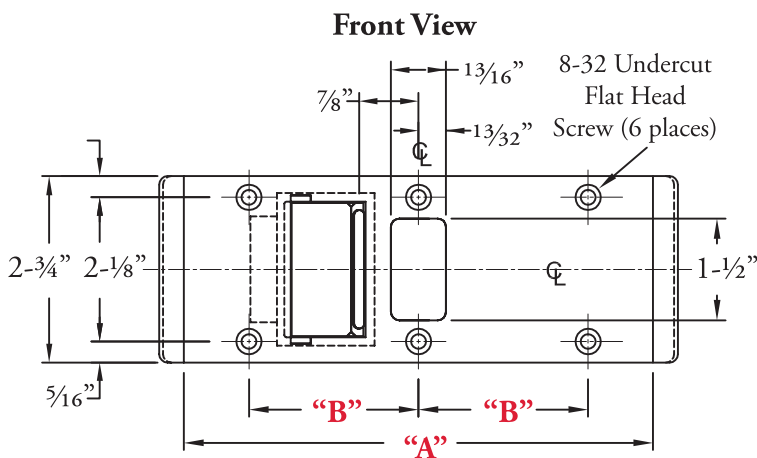
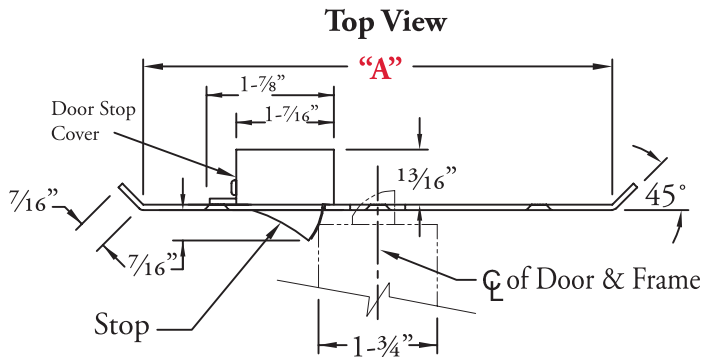
The sizing chart on the right lists custom layout numbers for all frame sizes from 5-1/4" to 9" for:

- Center hung door
- Mortise lock application (no dead bolt)

ABH has the capability to custom manufacture thousands of different custom double-lipped strike and rescue stop combos to fit nearly every application.

Please contact us if you need to match existing preps or if additional customizations are required and we will gladly assist.

How to Order			
Example SCRM4590 x US32D x SP-CR922			
Part Number	Finish	Custom Layout Number	Quantity
SCRM4590			
SCRM4590			



Custom Layout Number	Frame Size	Center to Center Mounting Holes
	"A"	"B"
SP-CR922	5-1/4"	2-3/8"
SP-CR923	5-3/8"	2-3/8"
SP-CR924	5-1/2"	2-3/8"
SP-CR925	5-5/8"	2-3/8"
SP-CR926	5-3/4"	2-3/8"
SP-CR927	5-7/8"	2-3/8"
SP-CR928	6"	2-3/8"
SP-CR929	6-1/8"	2-3/8"
SP-CR930	6-1/4"	2-3/8"
SP-CR931	6-3/8"	2-3/8"
SP-CR932	6-1/2"	2-3/8"
SP-CR933	6-5/8"	2-3/8"
SP-CR934	6-3/4"	2-3/8"
SP-CR935	6-7/8"	2-3/8"
SP-CR936	7"	2-3/8"
SP-CR937	7-1/8"	2-3/8"
SP-CR938	7-1/4"	2-3/8"
SP-CR939	7-3/8"	2-3/8"
SP-CR940	7-1/2"	2-3/8"
SP-CR941	7-5/8"	3-3/8"
SP-CR942	7-3/4"	3-3/8"
SP-CR943	7-7/8"	3-3/8"
SP-CR944	8"	3-3/8"
SP-CR945	8-1/8"	3-3/8"
SP-CR946	8-1/4"	3-3/8"
SP-CR947	8-3/8"	3-3/8"
SP-CR948	8-1/2"	3-3/8"
SP-CR949	8-5/8"	3-3/8"
SP-CR950	8-3/4"	3-3/8"
SP-CR951	8-7/8"	3-3/8"
SP-CR952	9"	3-3/8"



SCRM4590 Special Double-Lipped Strike & Rescue Stop Combo Center Hung for Mortise Lock (With Dead Bolt)

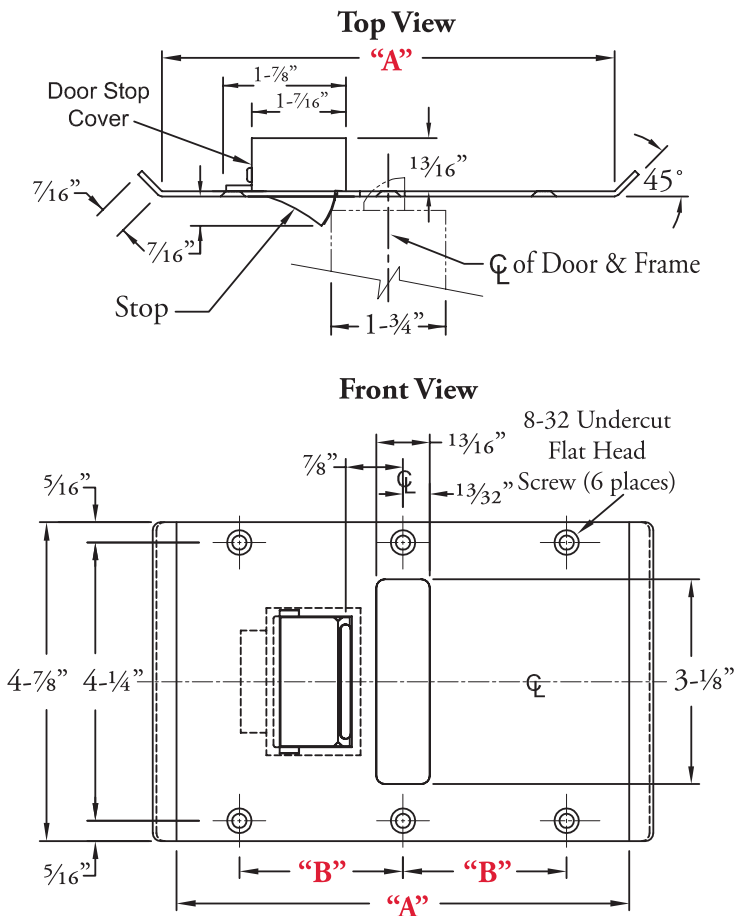
The sizing chart on the right lists custom layout numbers for all frame sizes from 5-1/4" to 9" for:

- Center hung door
- Mortise lock application (with dead bolt)

ABH has the capability to custom manufacture thousands of different custom double-lipped strike and rescue stop combos to fit nearly every application.

Please contact us if you need to match existing preps or if additional customizations are required and we will gladly assist.

How to Order			
Example SCRM4590 x US32D x SP-CR978			
Part Number	Finish	Custom Layout Number	Quantity
SCRM4590			
Please specify mortise lock body manufacturer when placing order.			



Custom Layout Number	Frame Size	Center to Center Mounting Holes
	"A"	"B"
SP-CR978	5-1/4"	2-3/8"
SP-CR979	5-3/8"	2-3/8"
SP-CR980	5-1/2"	2-3/8"
SP-CR981	5-5/8"	2-3/8"
SP-CR982	5-3/4"	2-3/8"
SP-CR983	5-7/8"	2-3/8"
SP-CR984	6"	2-3/8"
SP-CR985	6-1/8"	2-3/8"
SP-CR986	6-1/4"	2-3/8"
SP-CR987	6-3/8"	2-3/8"
SP-CR988	6-1/2"	2-3/8"
SP-CR989	6-5/8"	2-3/8"
SP-CR990	6-3/4"	2-3/8"
SP-CR991	6-7/8"	2-3/8"
SP-CR992	7"	2-3/8"
SP-CR993	7-1/8"	2-3/8"
SP-CR994	7-1/4"	2-3/8"
SP-CR995	7-3/8"	2-3/8"
SP-CR996	7-1/2"	2-3/8"
SP-CR997	7-5/8"	3-3/8"
SP-CR998	7-3/4"	3-3/8"
SP-CR999	7-7/8"	3-3/8"
SP-CR1000	8"	3-3/8"
SP-CR1001	8-1/8"	3-3/8"
SP-CR1002	8-1/4"	3-3/8"
SP-CR1003	8-3/8"	3-3/8"
SP-CR1004	8-1/2"	3-3/8"
SP-CR1005	8-5/8"	3-3/8"
SP-CR1006	8-3/4"	3-3/8"
SP-CR1007	8-7/8"	3-3/8"
SP-CR1008	9"	3-3/8"



SCR4590 Special Double-Lipped Strike & Rescue Stop Combo 1/8" Inset for Cylindrical Latch

The sizing chart on the right lists custom layout numbers for all frame sizes from 5-1/4" to 9" for:

- 1/8" inset door
- Cylindrical latch application

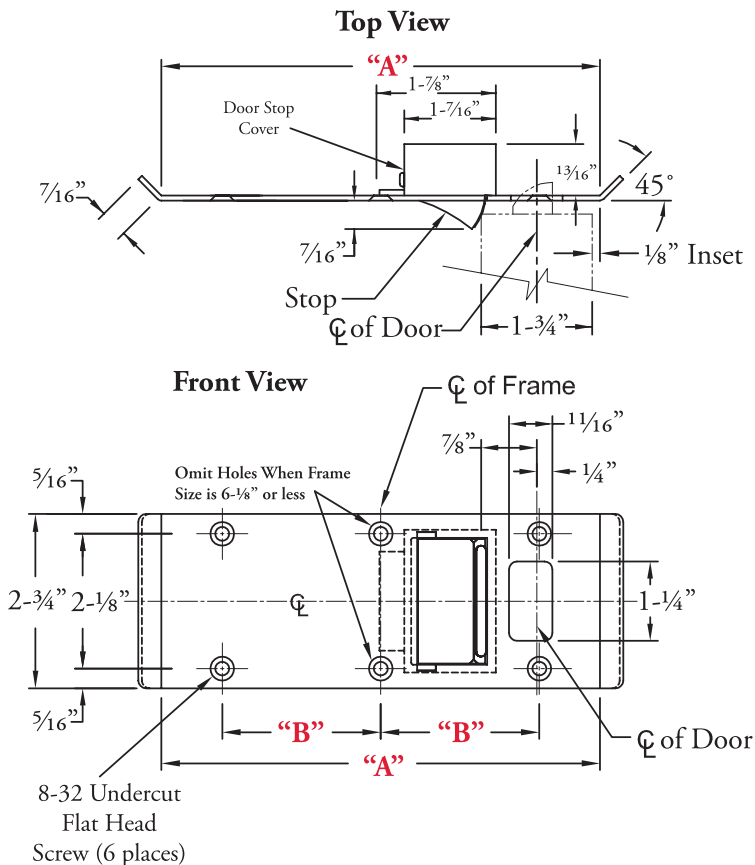
ABH has the capability to custom manufacture thousands of different custom double-lipped strike and rescue stop combos to fit nearly every application.

Please contact us if you need to match existing preps or if additional customizations are required and we will gladly assist.

How to Order

Example SCR4590 x US32D x SP-CR1040

Part Number	Finish	Custom Layout Number	Quantity
SCR4590			
SCR4590			



Custom Layout Number	Frame Size	Center to Center Mounting Holes
	"A"	"B"
SP-CR1040	5-1/4"	2-3/8"
SP-CR1041	5-3/8"	2-3/8"
SP-CR1042	5-1/2"	2-3/8"
SP-CR1043	5-5/8"	2-3/8"
CR4594	5-3/4"	2-3/8"
SP-CR1044	5-7/8"	2-3/8"
SP-CR1045	6"	2-3/8"
SP-CR1046	6-1/8"	2-3/8"
SP-CR1047	6-1/4"	2-3/8"
SP-CR1048	6-3/8"	2-3/8"
SP-CR1049	6-1/2"	2-3/8"
SP-CR1050	6-5/8"	2-3/8"
CR4593	6-3/4"	2-3/8"
SP-CR1051	6-7/8"	2-3/8"
SP-CR1052	7"	2-3/8"
SP-CR1053	7-1/8"	2-3/8"
SP-CR1054	7-1/4"	2-3/8"
SP-CR1055	7-3/8"	2-3/8"
SP-CR1056	7-1/2"	2-3/8"
SP-CR1057	7-5/8"	3-3/8"
SP-CR1058	7-3/4"	3-3/8"
SP-CR1059	7-7/8"	3-3/8"
SP-CR1060	8"	3-3/8"
SP-CR1061	8-1/8"	3-3/8"
SP-CR1062	8-1/4"	3-3/8"
SP-CR1063	8-3/8"	3-3/8"
SP-CR1064	8-1/2"	3-3/8"
SP-CR1065	8-5/8"	3-3/8"
SP-CR1066	8-3/4"	3-3/8"
SP-CR1067	8-7/8"	3-3/8"
SP-CR1068	9"	3-3/8"



SCRM4590

Special Double-Lipped Strike & Rescue Stop Combo 1/8" Inset for Mortise Lock (No Dead Bolt)

The sizing chart on the right lists custom layout numbers for all frame sizes from 5-1/4" to 9" for:

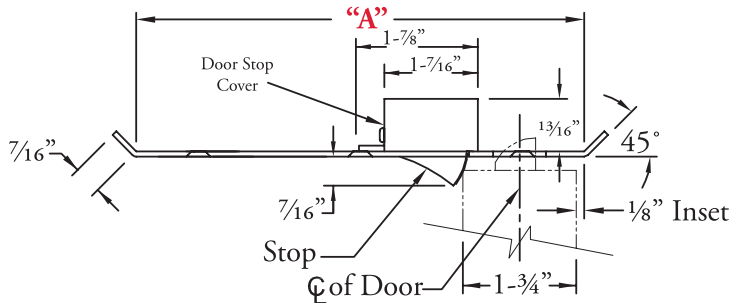
- 1/8" inset door
- Mortise lock application (no dead bolt)

ABH has the capability to custom manufacture thousands of different custom double-lipped strike and rescue stop combos to fit nearly every application.

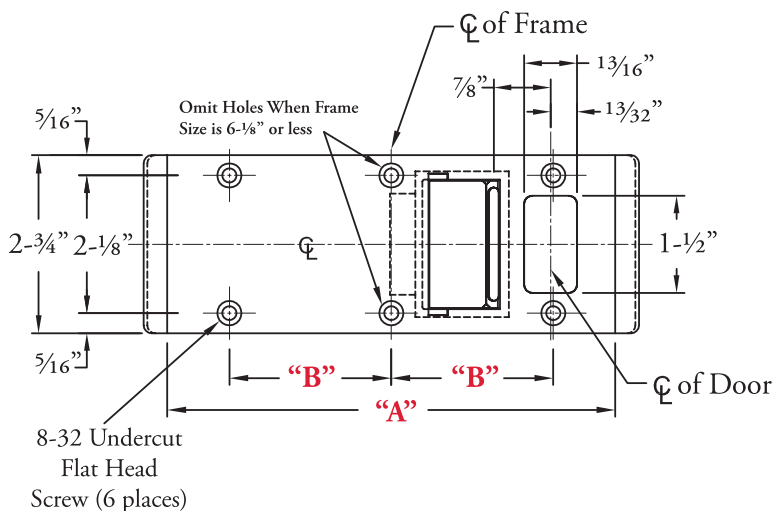
Please contact us if you need to match existing preps or if additional customizations are required and we will gladly assist.

How to Order			
Example SCRM4590 x US32D x SP-CR1100			
Part Number	Finish	Custom Layout Number	Quantity
SCRM4590			
SCRM4590			

Top View



Front View



Custom Layout Number	Frame Size	Center to Center Mounting Holes
	"A"	"B"
SP-CR1100	5-1/4"	2-3/8"
SP-CR1101	5-3/8"	2-3/8"
SP-CR1102	5-1/2"	2-3/8"
SP-CR1103	5-5/8"	2-3/8"
SP-CR1104	5-3/4"	2-3/8"
SP-CR1105	5-7/8"	2-3/8"
SP-CR1106	6"	2-3/8"
SP-CR1107	6-1/8"	2-3/8"
SP-CR1108	6-1/4"	2-3/8"
SP-CR1109	6-3/8"	2-3/8"
SP-CR1110	6-1/2"	2-3/8"
SP-CR1111	6-5/8"	2-3/8"
SP-CR1112	6-3/4"	2-3/8"
SP-CR1113	6-7/8"	2-3/8"
SP-CR1114	7"	2-3/8"
SP-CR1115	7-1/8"	2-3/8"
SP-CR1116	7-1/4"	2-3/8"
SP-CR1117	7-3/8"	2-3/8"
SP-CR1118	7-1/2"	2-3/8"
SP-CR1119	7-5/8"	3-3/8"
SP-CR1120	7-3/4"	3-3/8"
SP-CR1121	7-7/8"	3-3/8"
SP-CR1122	8"	3-3/8"
SP-CR1123	8-1/8"	3-3/8"
SP-CR1124	8-1/4"	3-3/8"
SP-CR1125	8-3/8"	3-3/8"
SP-CR1126	8-1/2"	3-3/8"
SP-CR1127	8-5/8"	3-3/8"
SP-CR1128	8-3/4"	3-3/8"
SP-CR1129	8-7/8"	3-3/8"
SP-CR1130	9"	3-3/8"



SCRM4590

Special Double-Lipped Strike & Rescue Stop Combo 1/8" Inset for Mortise Lock (With Dead Bolt)

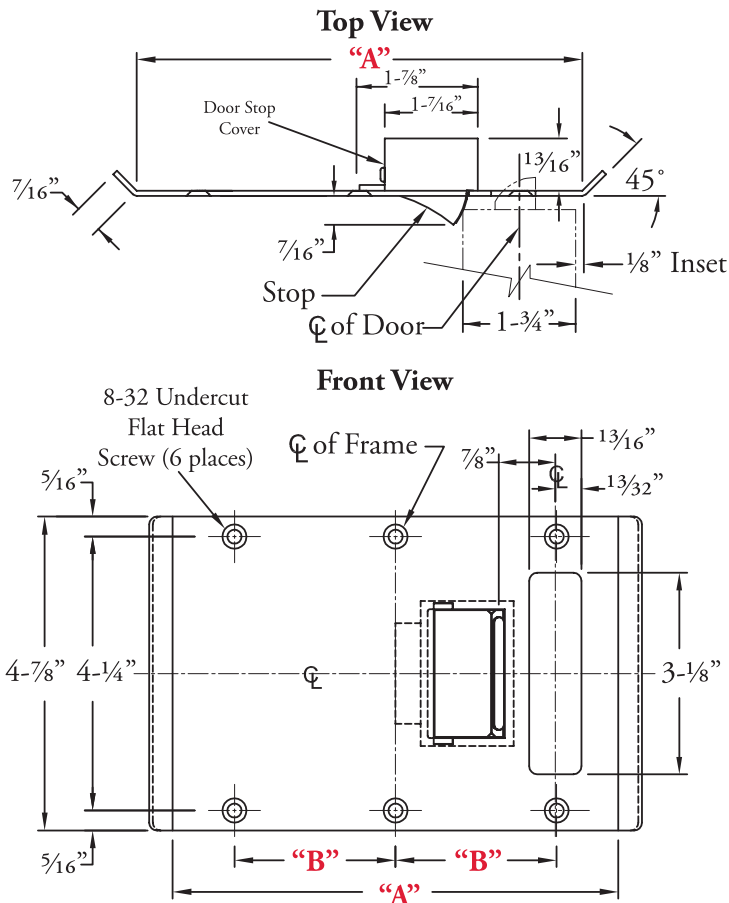
The sizing chart on the right lists custom layout numbers for all frame sizes from 5-1/4" to 9" for:

- 1/8" inset
- Mortise lock application (with dead bolt)

ABH has the capability to custom manufacture thousands of different custom double-lipped strike, and rescue stop combos to fit nearly every application.

Please contact us if you need to match existing preps or if additional customizations are required and we will gladly assist.

How to Order			
Example SCRM4590 x US32D x SP-CR1162			
Part Number	Finish	Custom Layout Number	Quantity
SCRM4590			
Please specify mortise lock body manufacturer when placing order.			



Custom Layout Number	Frame Size	Center to Center Mounting Holes
	"A"	"B"
SP-CR1162	5-1/4"	2-3/8"
SP-CR1163	5-3/8"	2-3/8"
SP-CR1164	5-1/2"	2-3/8"
SP-CR1165	5-5/8"	2-3/8"
SP-CR1166	5-3/4"	2-3/8"
SP-CR1167	5-7/8"	2-3/8"
SP-CR1168	6"	2-3/8"
SP-CR1169	6-1/8"	2-3/8"
SP-CR1170	6-1/4"	2-3/8"
SP-CR1171	6-3/8"	2-3/8"
SP-CR1172	6-1/2"	2-3/8"
SP-CR1173	6-5/8"	2-3/8"
SP-CR1174	6-3/4"	2-3/8"
SP-CR1175	6-7/8"	2-3/8"
SP-CR1176	7"	2-3/8"
SP-CR1177	7-1/8"	2-3/8"
SP-CR1178	7-1/4"	2-3/8"
SP-CR1179	7-3/8"	2-3/8"
SP-CR1180	7-1/2"	2-3/8"
SP-CR1181	7-5/8"	3-3/8"
SP-CR1182	7-3/4"	3-3/8"
SP-CR1183	7-7/8"	3-3/8"
SP-CR1184	8"	3-3/8"
SP-CR1185	8-1/8"	3-3/8"
SP-CR1186	8-1/4"	3-3/8"
SP-CR1187	8-3/8"	3-3/8"
SP-CR1188	8-1/2"	3-3/8"
SP-CR1189	8-5/8"	3-3/8"
SP-CR1190	8-3/4"	3-3/8"
SP-CR1191	8-7/8"	3-3/8"
SP-CR1192	9"	3-3/8"



Rescue Stop & Center Hung Pivot Set Combos

Combine an ABH center hung pivot set with a double-lipped strike and rescue stop combo as a complete package.

Available in US32D, US32, US10B, US10, US3 and US4 finishes – Contact factory for custom finish.

1. Choose from one of the following pivot sets:

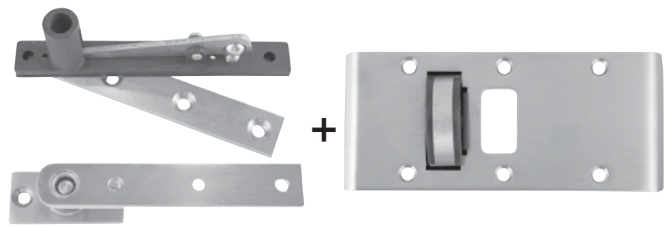
- 0127 – Center Hung Pivot Set, Medium Duty, Side Jamb Mount
- 0128 – Center Hung Pivot Set, Medium Duty, Floor Mount

2. Choose from one of the following double-lipped strike and rescue stop combos:

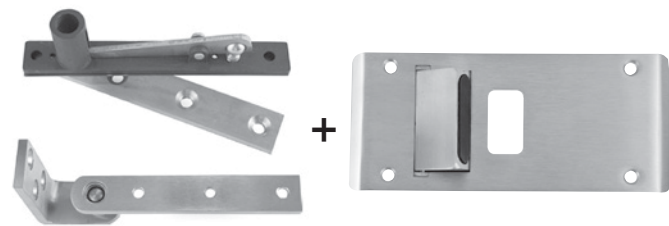
Half-Moon Style			
Rescue Stop & Strike Combo	Frame Size	Latch Type	Door Inset
CR4550	5-¾"	Cylindrical	Center Hung
CR4560	6-¾"	Cylindrical	Center Hung
CR4570	5-¾"	Cylindrical	½" Inset
CR4580	6-¾"	Cylindrical	½" Inset

Flipper Style			
Rescue Stop & Strike Combo	Frame Size	Latch Type	Door Inset
CR4591	5-¾"	Cylindrical	Center Hung
CR4592	6-¾"	Cylindrical	Center Hung
CR4594	5-¾"	Cylindrical	½" Inset
CR4593	6-¾"	Cylindrical	½" Inset

Model Number	=	Center Hung Pivot Set	+	Rescue Stop & Strike Combo
012750	=	0127	+	CR4550
012760	=	0127	+	CR4560
012770	=	0127	+	CR4570
012780	=	0127	+	CR4580
012850	=	0128	+	CR4550
012860	=	0128	+	CR4560
012870	=	0128	+	CR4570
012880	=	0128	+	CR4580
012791	=	0127	+	CR4591
012792	=	0127	+	CR4592
012793	=	0127	+	CR4593
012794	=	0127	+	CR4594
012891	=	0128	+	CR4591
012892	=	0128	+	CR4592
012893	=	0128	+	CR4593
012894	=	0128	+	CR4594



012850 - Rescue Stop & Pivot Set Combos



012792 - Rescue Stop & Pivot Set Combos

