



FALCON FAMILY

MOTION SENSOR FOR INDUSTRIAL DOORS,
GATES & WARNING INDICATION



DESCRIPTION

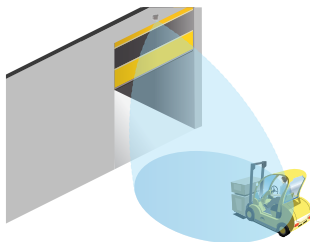
BEA's **FALCON FAMILY** of sensors is the premier microwave activation solution for indoor and outdoor industrial applications. The family includes the **FALCON**, **FALCON XL** (extra low mount) and **FALCON WIDE** (for wide detection areas).

The sensor is capable of providing pedestrian and parallel traffic rejection, reducing unwanted detections and door cycles.

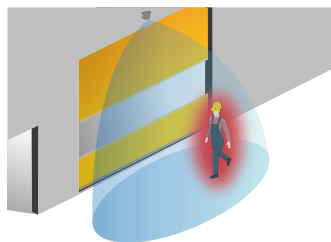
BEA's **FALCON FAMILY** is ideal for automatic industrial doors, vehicle gates / barriers, vehicle detection, loading docks or any other industrial application where motion detection is required.

Housed in a IP65 rated enclosure, the **FALCON FAMILY** is designed to operate in harsh environments.

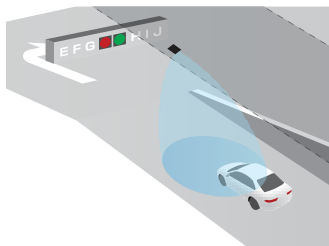
APPLICATIONS



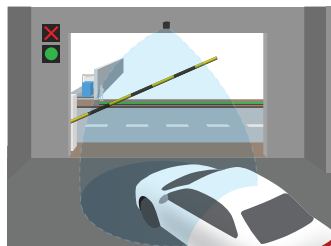
Factory Entrances



Pedestrian & Parallel Traffic Rejection



Parking Garage Detection



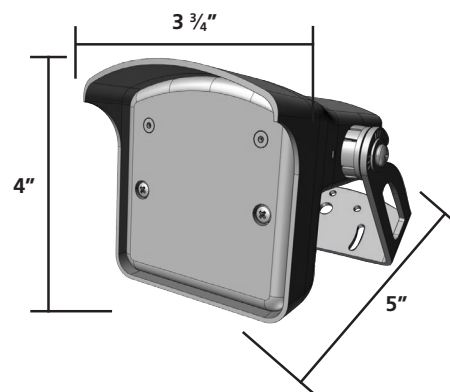
Barrier Arm Activation

TECHNICAL SPECIFICATIONS

Technology	Microwave Doppler Radar
Radiated Frequency	24.150 GHz
Transmitter Radiated Frequency	< 20 dBm EIRP
Radiated Power Density	< 5 mW / cm ²
Detection Mode	Motion
Detection Zone	
FALCON	13' × 16' @ 16'
FALCON XL	13' × 6 1/2' @ 8 1/2'
FALCON WIDE	30' × 11' @ 21'
	Typical at 30° and field size 9
Tilt Angles	0 – 180°
Output	Relay (free of potential change-over contact)
Max. Contact Voltage	42 VAC / VDC
Max. Contact Current	1 A (resistive)
Max. Switching Power	30 W (DC); 60 VA (AC)
Minimum Detection Speed	2 in / s*
Mains Frequency	50 – 60 Hz
Supply Voltage	12 – 24 VAC; ±10% 12 – 24 VDC; 30% / -10%
Power Consumption	< 2 W
Mounting Height	
FALCON	11 1/2 – 23'
FALCON XL	6 1/2 – 11 1/2'
FALCON WIDE	11 1/2 – 21'
Dimensions	3 3/4" (W) × 4" (H) × 5" (L)
Material	ABS & Polycarbonate
Temperature Range	-22 – 140 °F
Degree of Protection	IP65
Norm Conformity	EMC: 2004 / 108 / EC R&TTE: 1999 / 5 / EC

*Measured in optimal conditions

DIMENSIONS



DISCLAIMER Information is supplied upon the condition that the persons receiving it will make their own determination as to its suitability for their purposes prior to use. In no event will BEA be responsible for damages of any nature whatsoever resulting from the use of or reliance upon information from this document or the products to which the information refers. BEA has the right without liability to change descriptions and specifications at any time.

WWW.BEASENSORS.COM



BEA AMERICAS / RIDC Park West / 100 Enterprise Drive / Pittsburgh, PA
T 1-800-523-2462 / F 1-888-523-2462 / E info-us@BEAsensors.com

A Halma company