

h.e.s.

ASSA ABLOY

# Product Catalog 2024



Experience a safer  
and more open world



# Product Catalog 2024

# Catalog Contents

## Electric Strikes

1006	4
1500 Series™, 1600 Series™	12
ES100 Aperio® Wireless	16
4500C	24
5000, 5200, 5300	26
7000, 7501	34
8000, 8300, 8500	40
9100, 9200, 9400, 9500, 9600, 9700, 9800	50
Folger Adam 310-1(X) Series	64
Folger Adam 310 Series	66
Folger Adam 310-4 Series	68
Folger Adam 310-4-X Series	70
Folger Adam 310-6-X Series	72
Folger Adam 700 Series	74
Folger Adam 742 Series	76
Electric Strike Accessories	78
Electric Strike Compatibility Chart	80
Lock Cross Reference	82

## Cabinet Locks

610	86
660	88
KP20	90
KS200 Server	92
KS210 Server	96
KS-M	100

## Resources

Glossary Terms	101
Terms & Conditions, Warranty	103



**ASSA ABLOY**





# Electric Strikes

# 1006 Electric Strike

*Works with all cylindrical and mortise locksets with or without a deadbolt*



Also available in a Complete One Box Solution

## The strongest, most versatile electric strike available.

The 1006 Series Electric Strike is the strongest and most versatile electric strike available. The dual interlocking plunger design and heavy duty stainless steel construction enables it to exceed every standard developed for electric strikes. With multiple faceplate options, the 1006 will fully accommodate every lock designed to work within an ANSI 4-7/8" strike plate. Tested to exceed 3,000 lbs of static strength, 350 ft-lbs of dynamic strength and factory tested to exceed 1 million cycles of operation, the 1006 is in a class of its own.

## Features

### Standard Features

- Stainless steel construction
- Tamper resistant
- Static strength 2,500 lbs
- Dynamic strength 350 ft-lbs (fail secure)
- Endurance 1 million cycles
- Fail secure (standard)
- Non-handed
- Accommodates up to 1" [25.4mm] deadbolt
- Plug-in connector
- Full keeper shims for horizontal adjustment
- Trim enhancer
- Strike body depth 1-11/16" [43mm]
- SecuriCare five-year, no-fault, no questions asked warranty (Addition of **SMART Pac® III** extends the warranty to 10 years)

### Optional Features

- LBM Latchbolt monitor
- LBSM Latchbolt strike monitor
- Fail safe
- Interchangeable faceplates
- Monitor switch may not work with all faceplate options

### Accessories

- **HESCUT-MTK** Metal template kit
- **2005M3** SMART Pac® III
- **1000-102** Rain guard
- **1006-103** Full keeper shims
- **1000-104** Lip extension trim adapter
- **1006-105** Trim enhancer BLK (goof plate)
- **1006-109** Trim adapter
- **1000-110** Replacement strike plate
- **1000-130** KD filler plate
- **150** Strike latch guard



Grade 1



SecuriCare Warranty



Mortise Locks with Deadbolt



Mortise Locks without Deadbolt



Cylindrical Locksets



Specialty Locksets



Dual Voltage 12/24



Fire Rated



Windstorm Resistant



Outdoor Rated



Burglary Rated



## Specifications

### Certifications

- ANSI/BHMA A156.31, Grade 1
- UL 1034 burglary-resistant listed and suitable for outdoor use
- UL 294 listed
- RoHS compliant
- UL 10C fire rated, 3-hour single door (fail secure only)
- UL 10C fire rated, 1-1/2 hour double door (fail secure only)
- CAN/ULC-S104 fire door conformant
- NFPA-252 fire door compliant
- ASTM-E152 fire door compliant
- ANSI/SDI A250.13 windstorm resistant
- Florida Building Code approved TAS 201, 202, 203
- ANSI-ASTM E330
- Sustainability documentation

### Frame Application

- Metal
- Wood

### Electrical (DC Continuous Duty)

- Dual Voltage 12/24 VDC
- 450 mA at 12 VDC / 250 mA at 24 VDC

NOTE: DC must be well filtered with ripple less than 1 volt 12 ms.

## Dimensions

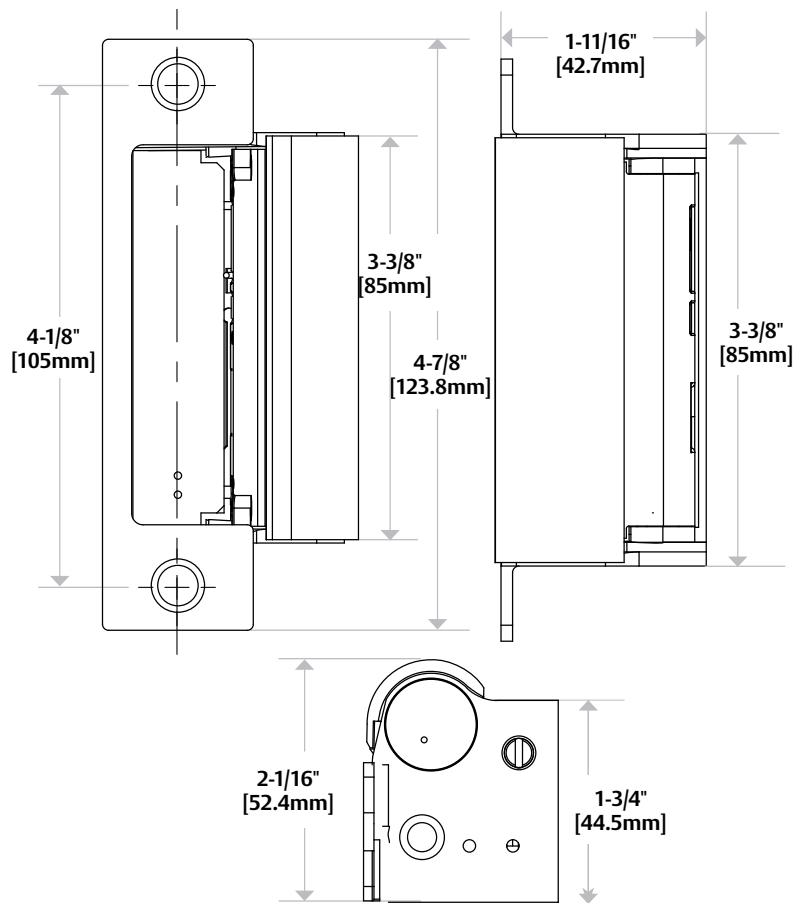


Diagram shown with DB faceplate

## How to Order

SERIES	MODEL	FAIL SECURE / SAFE	FINISH*	OPTION (S)
<b>1006</b>	—	<b>- F</b>	<b>- 630</b>	<b>- LBM</b>
<b>1006</b> Universal Electric Strike	<b>(blank)</b> Electric strike body only, faceplates ordered separately	<b>(blank)</b> Fail Secure (standard)	<b>605</b> Bright Brass	<b>(blank)</b> No Monitor
	<b>CS*</b> Complete Electric Strike; includes the SMART Pac III and J, KD, KM, HM, ND faceplates and brackets	<b>F</b> Fail Safe	<b>606</b> Satin Brass	<b>LBM</b> Latchbolt Monitor**
	<b>CLB*</b> Complete Electric Strike for latchbolt locks; includes J, K, KD and KM faceplates		<b>612</b> Satin Bronze	<b>LBSM</b> Latchbolt Strike Monitor**
	<b>CDB*</b> Complete Electric Strike for Deadbolt Locks; includes the ND and HM faceplates		<b>613</b> Bronze Toned	
	<b>CAS*</b> Complete Electric Strike for Deadbolt Locks; includes the N, ND and NM faceplates		<b>629</b> Bright Stainless Steel	
			<b>630</b> Satin Stainless Steel	
			<b>BLK</b> Black	

\*Complete Pacs are only available in the 630 finish. \*\*Not available with CS, CDB, or CAS

NOTE: Electric strike compatibility is determined at time of electric strike product release. ASSA ABLOY is not responsible for incompatibility of products that have changed in design or craftsmanship by their respective manufacturers. When compatibility is a concern, contact Customer Support for application assistance.

## 1006CS Smart Strike™

*The Complete One Box Solution for all cylindrical and mortise locksets, with or without a 1" deadbolt*

The 1006CS Smart Strike includes a 1006 electric strike body and SMART Pac® III plus faceplates and brackets that can provide the same function as any of the following options:

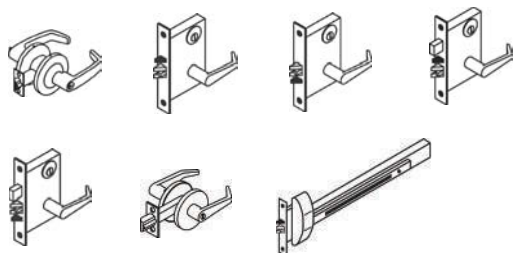
J Option                      H Option                      HTD Option

K Option                      HD Option                      N Option

KD Option                      HM Option                      ND Option

KM Option                      HT Option                      NM Option

### Compatible Locksets



## 1006CLB Complete for Latchbolt Locks

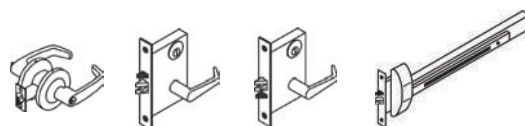
*The Complete One Box Solution for all cylindrical and mortise locksets*

The 1006CLB includes the 1006 electric strike body plus faceplates and brackets that provide the same function as any of the following options:

J Option                      KD Option

K Option                      KM Option

### Compatible Locksets



## 1006CAS Complete for Recapture

*The Complete One Box Solution for deadbolt recapture*

The 1006CAS Smart Strike includes a 1006 electric strike body plus faceplates and brackets that can provide the same function as any of the following options:

A Option                      N Option                      T Option

AD Option                      ND Option                      TD Option

AM Option                      NM Option

### Compatible Locksets



## 1006CDB Complete for Deadbolt Locks

*The Complete One Box Solution for all locksets with a 1" deadbolt*

The 1006CDB includes the 1006 electric strike body plus faceplates and brackets that provide the same function as any of the following options:

H Option                      HT Option                      ND Option

HD Option                      HTD Option                      NM Option


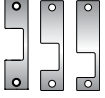
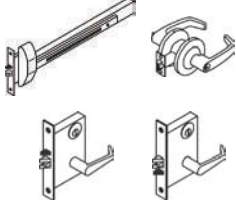

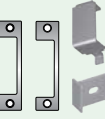
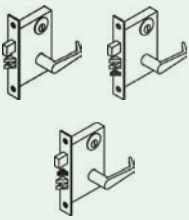

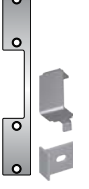
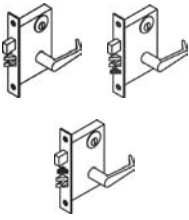

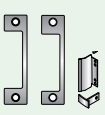
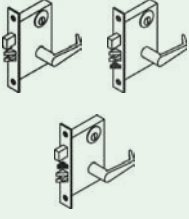
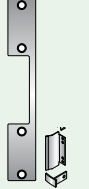
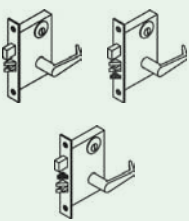
HM Option                      N Option

### Compatible Locksets


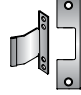


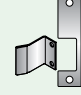



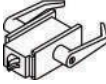





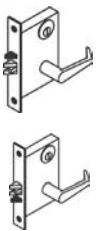




# 1006 Series Faceplate Options














<p><b>OPERATION</b></p>  <p>Mortise Locks with Deadbolt</p>	<p>Latchbolt and deadbolt are released by a single keeper. The keeper is held open to recapture the latchbolt and deadbolt when the door is closed.</p>	
 <p>4-7/8" × 1-1/4" [123.8mm x 31.75mm]</p>	<p><b>LB Option</b>  <b>The Latchbolt Solution:</b> Includes all hardware to accommodate every cylindrical and mortise lock up to a 3/4" [19mm] latchbolt  <i>Replaces function of the J, K, KM and KD Options.</i>            ANSI/BHMA Numbers: E09321, E09322, E09323</p>	
<p><b>OPERATION</b></p>  <p>Mortise Locks with Deadbolt</p>	<p>This deadbolt solution offers two modes of functionality; night latch and lockout. (Functional operation modes described below.)</p>	
 <p>4-7/8" × 1-1/4" [123.8mm x 31.75mm]</p>	<p><b>DB Option</b>  <b>The Deadbolt Solution:</b> Includes all hardware to retain and release all mortise and cylindrical locks with up to a 1" deadbolt  <i>Mode 1: Night latch function. The deadbolt is retracted during traffic hours. The latchbolt is released by the keeper and keeper returns to the locked position.</i>  <i>Mode 2: Lockout function. The electric strike will not release if the deadbolt is extended.</i>  <i>Replaces function of the N, ND, NM, H, HD, HM, HT, and HTD options</i>            ANSI/BHMA Numbers: E09391, E09392, E09393, E09331, E09332, E09333</p>	
<p><b>OPERATION</b></p>  <p>Mortise Locks with Deadbolt</p>	<p>This deadbolt solution offers two modes of functionality; night latch and lockout. (functional operation modes described below.)</p>	
 <p>9" × 1-3/8" [123.8mm x 34.9mm]</p>	<p><b>DB-2 Option</b>  <b>The Deadbolt Solution:</b> Includes all hardware to retain and release all mortise and cylindrical locks with up to a 1" deadbolt. Wood applications.  <i>Mode 1: Night latch function. The deadbolt is retracted during traffic hours. The latchbolt is released by the keeper and keeper returns to the locked position.</i>  <i>Mode 2: Lockout function. The electric strike will not release if the deadbolt is extended.</i>  <i>Replaces the N-2 and H-2 options</i>            ANSI/BHMA Numbers: E09391, E09392, E09393, E09331, E09332, E09333</p>	
<p><b>OPERATION</b></p>  <p>Mortise Locks with Deadbolt</p>	<p>Latchbolt and deadbolt are released by a single keeper. The keeper is held open to recapture the latchbolt and deadbolt when the door is closed.</p>	
 <p>4-7/8" × 1-1/4" [123.8mm x 31.75mm]</p>	<p><b>CAS Option</b>  <b>The Continuous Deadbolt Recapture Solution:</b> Includes all hardware to retain, release and recapture all mortise locks and tubular E Option locks with up to a 1" deadbolt.  <b>Mode:</b> <i>Normally extended deadbolt. Latchbolt and deadbolt are released by a single keeper. The keeper is held open to recapture the latchbolt and deadbolt when the door is closed.</i>  <i>Replaces the N, ND, NM, A, AM, AD, T and TD options</i>            ANSI/BHMA Numbers: E09391, E09392, E09393, E09331, E09332, E09333</p>	
 <p>9" × 1-3/8" [123.8mm x 34.9mm]</p>	<p><b>CAS-2 Option</b>  <b>The Deadbolt Solution:</b> Includes all hardware to retain, release and recapture all mortise locks and tubular locks with up to a 1" deadbolt. Wood applications.  <b>Mode:</b> <i>Normally extended deadbolt. Latchbolt and deadbolt are released by a single keeper. The keeper is held open to recapture the latchbolt and deadbolt when the door is closed.</i>  <i>Replaces the N-2, A-2 and T-2 options</i>            ANSI/BHMA Numbers: E09391, E09392, E09393, E09331, E09332, E09333</p>	

# 1006 Series Faceplate Options

<p><b>OPERATION</b></p>	 <p>Specialty Locksets</p>	<p>After releasing the latchbolt or deadbolt, the keeper is held open to recapture the bolt as the door is closed.</p>
 <p>4-7/8" × 1-1/4" [123.8mm x 31.75mm]</p>	<p><b>E Option</b> For use with: Corbin Russwin Security Bolt, Weiserbolt and normally extended 1" tubular deadbolts ANSI/BHMA Numbers: E09391, E09392, E09393</p>	
<p><b>OPERATION</b></p>	 <p>Specialty Locksets</p>	<p>The hookbolt is released by a single keeper. The keeper is held open to recapture the latchbolt and hookbolt when the door is closed.</p>
 <p>4-7/8" × 1-1/4" [123.8mm x 31.75mm]</p>	<p><b>R Option</b> For use with: Adams Rite style hookbolt up to 1" throw ANSI/BHMA Numbers: E09391, E09392, E09393, E09332, E09333</p>	
<p><b>OPERATION</b></p>	 <p>Specialty Locksets</p>	<p>After releasing the latchbolt, the keeper returns to the locked position.</p>
 <p>4-7/8" × 1-1/4" [123.8mm x 31.75mm]</p>	<p><b>Z Option</b> For use with: Unit and Mono locks ANSI/BHMA Numbers: E09321, E09322, E09323</p>	
<p><b>OPERATION</b></p>	 <p>Cylindrical Locksets</p>	<p>After releasing the latchbolt, the keeper returns to the locked position.</p>
 <p>9" × 1-3/8" [123.8mm x 34.9mm]</p>	<p><b>J-2 Option</b> For use with: All cylindrical locks up to a 3/4" [19mm] latchbolt. Wood applications. ANSI/BHMA Numbers: E09321, E09322, E09323</p>	
<p><b>OPERATION</b></p>	 <p>Mortise Locks without Deadbolt</p>	<p>After releasing the latchbolt, the keeper returns to the locked position.</p>
 <p>9" × 1-3/8" [123.8mm x 34.9mm]</p>	<p><b>KM-2 Option</b> For use with: Mortise locksets up to a 3/4" [19mm] latchbolt. Wood applications. ANSI/BHMA Numbers: E09321, E09322, E09323</p>	

"For use with" information is offered as a recommendation only. Reference should be made to the lockset manufacturer for proper installation instructions necessary to meet compatibility requirements.






# 1006 Series Faceplate Options

<p><b>OPERATION</b></p>	 <p>Cylindrical Locksets</p>	<p>After releasing the latchbolt or deadbolt, the keeper is held open to recapture the bolt as the door is closed.</p>
 <p>4-7/8" × 1-1/4" [123.8mm x 31.75mm]</p>	<p><b>J Option</b></p> <p><b>For use with:</b> Cylindrical locksets up to 3/4" [19mm] throw and all locksets with center-lined bolts.</p> <p><b>Compatible locksets:</b> All brands of cylindrical latchbolts</p> <p><b>ANSI/BHMA Numbers:</b> E09321, E09322, E09323</p>	
<p><b>OPERATION</b></p>	 <p>Mortise Locks with Deadbolt</p>	<p>After releasing the latchbolt, the keeper returns to the locked position.</p>
 <p>4-7/8" × 1-1/4" [123.8mm x 31.75mm]</p>	<p><b>KD Option</b></p> <p><b>For use with:</b> Mortise locksets up to 3/4" [19mm] throw latchbolt.</p> <p><b>Compatible locksets:</b> Dorma 9500, Jackson, Sargent (7700 &amp; 8100), Schlage, ASSA ABLOY ACCENTRA™* (8700)</p> <p><b>ANSI/BHMA Numbers:</b> E09321, E09322, E09323</p>	
 <p>4-7/8" × 1-1/4" [123.8mm x 31.75mm]</p>	<p><b>KM Option</b></p> <p><b>For use with:</b> Mortise locksets up to 3/4" [19mm] throw latchbolt.</p> <p><b>Compatible locksets:</b> Accurate, Arrow, Baldwin, Best, Corbin Russwin, Falcon, Marks, PDQ, Sargent (7800, 8200 &amp; 9200), ASSA ABLOY ACCENTRA™* (8800)</p> <p><b>ANSI/BHMA Numbers:</b> E09321, E09322, E09323</p>	
<p><b>OPERATION</b></p>	 <p>Mortise Locks with Deadbolt</p>	<p>Lockout function. The electric strike will not release if the deadbolt is extended. The deadbolt is retracted during traffic hours. The latchbolt is released by the keeper. The keeper returns to the locked position.</p>
 <p>4-7/8" × 1-1/4" [123.8mm x 31.75mm]</p>	<p><b>HM Option</b></p> <p><b>For use with:</b> Mortise locksets with a 1" deadbolt. Strike will not release when deadbolt is extended.</p> <p><b>Compatible locksets:</b> Accurate, Arrow, Baldwin, Best, Corbin Russwin, Falcon (45H, 47H, 34H &amp; 37H), Marks, Omnia, PDQ, Sargent (7800, 8200 &amp; 9200), ASSA ABLOY ACCENTRA™* (8800)</p> <p><b>ANSI/BHMA Numbers:</b> 09391, E09392, E09393, E09331, E09332, E09333</p>	
 <p>4-7/8" × 1-1/4" [123.8mm x 31.75mm]</p>	<p><b>HTD Option</b></p> <p><b>For use with:</b> Mortise locksets with a 1" deadbolt and no deadlatch or a center positioned deadlatch. Strike will not release when deadbolt is extended.</p> <p><b>Compatible locksets:</b> Sargent (7700 &amp; 8100), Schlage, ASSA ABLOY ACCENTRA™* (8700)</p> <p><b>ANSI/BHMA Numbers:</b> E09391, E09392, E09393, E09331, E09332, E09333</p>	

\* Formerly Yale Commercial

"For use with" information is offered as a recommendation only. Reference should be made to the lockset manufacturer for proper installation instructions necessary to meet compatibility requirements.

# 1006 Series Faceplate Options

<p><b>OPERATION</b></p>	 <p>Mortise Locks with Deadbolt</p>	<p>Night latch function. The deadbolt is retracted during traffic hours. The latchbolt is released by the keeper and keeper returns to the locked position.</p>
 <p>4-7/8" x 1-1/4" [123.8mm x 31.75mm]</p>	<p><b>ND Option</b></p> <p><b>For use with:</b> Mortise locksets with a deadbolt used for night latch function only.</p> <p><b>Compatible locksets:</b> Sargent (7700 &amp; 8100), Schlage, ASSA ABLOY ACCENTRA™* (8700)</p> <p><b>ANSI/BHMA Numbers:</b> E09391, E09392, E09393, E09331, E09332, E09333</p>	
 <p>4-7/8" x 1-1/4" [123.8mm x 31.75mm]</p>	<p><b>NM Option</b></p> <p><b>For use with:</b> Mortise locksets with a deadbolt used for night latch function only.</p> <p><b>Compatible locksets:</b> Accurate, Arrow, Baldwin, Best, Corbin Russwin, Falcon (45H, 47H, 34H &amp; 37H), Marks, Omnia, PDQ, Sargent (7800, 8200 &amp; 9200), ASSA ABLOY ACCENTRA™* (8800)</p> <p><b>ANSI/BHMA Numbers:</b> E09391, E09392, E09393, E09331, E09332, E09333</p>	

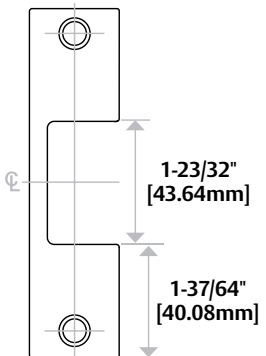
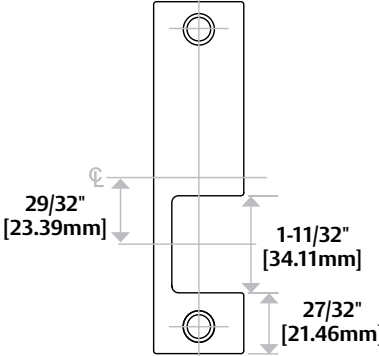
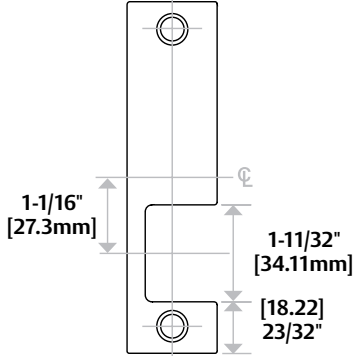
\* Formerly Yale Commercial

The following legacy faceplate options remain available for order. Suggestions are provided below for more versatile options.

H Option replaced by **HM Option**  
 HD Option replaced by **HTD Option**  
 HT Option replaced by **HTD Option**  
 K Option replaced by **KM Option**  
 K-2 Option combined into **KM-2 Option**

A-2 Option replaced by **CAS-2 Option**  
 H-2 Option replaced by **DB-2 Option**  
 N-2 Option replaced by **DB-2 Option**  
 T-2 Option replaced by **CAS-2 Option**

## 1006 Series Faceplate Option Dimensions

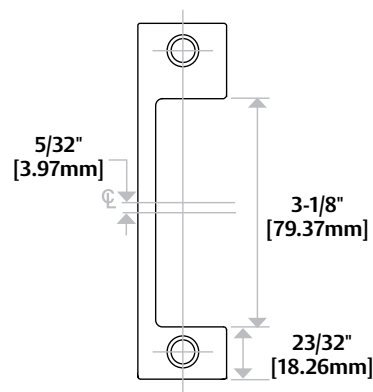
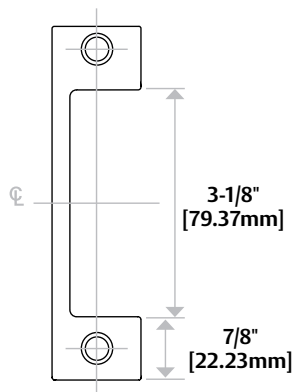
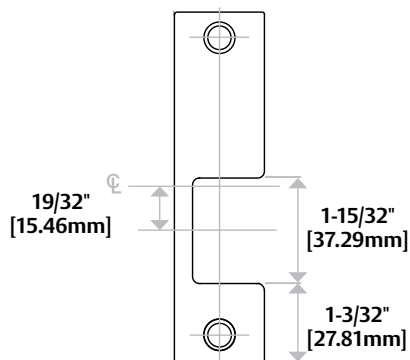
J, E	K	KD
 <p>1-23/32" [43.64mm]</p> <p>1-37/64" [40.08mm]</p>	 <p>29/32" [23.39mm]</p> <p>1-11/32" [34.11mm]</p> <p>27/32" [21.46mm]</p>	 <p>1-1/16" [27.3mm]</p> <p>1-11/32" [34.11mm]</p> <p>18.22 23/32"</p>

"For use with" information is offered as a recommendation only. Reference should be made to the lockset manufacturer for proper installation instructions necessary to meet compatibility requirements.

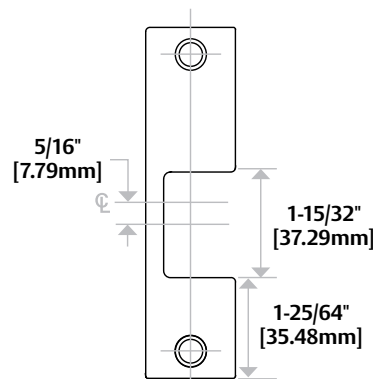
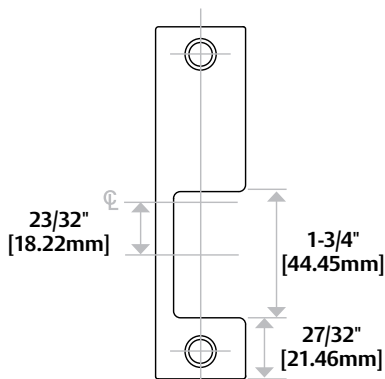
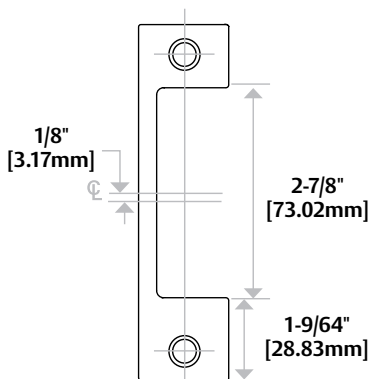


# 1006 Series Faceplate Option Dimensions

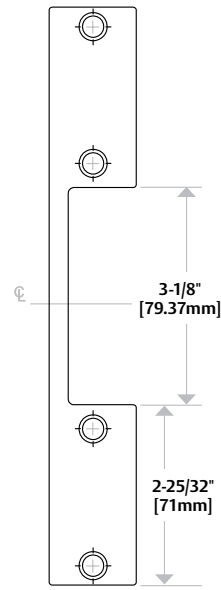
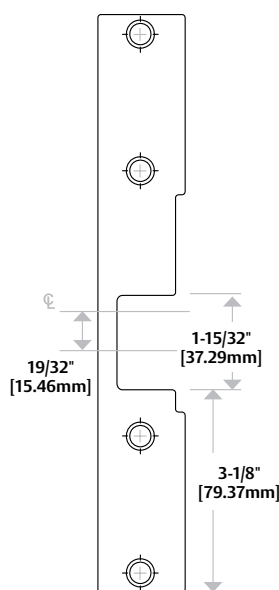
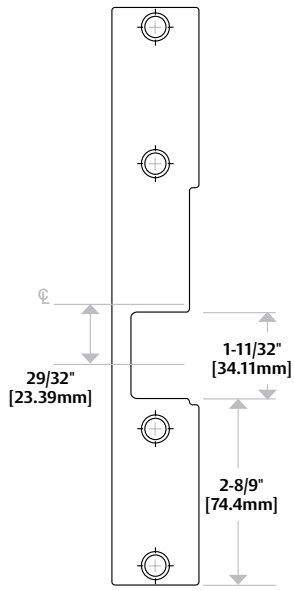
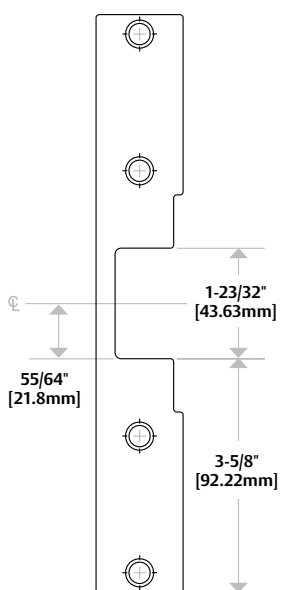
## KM H, HT, N HD, ND



## HM, NM R Z



## J-2 K-2 KM-2 N-2, H-2



For use with " information is offered as a recommendation only. Reference should be made to the lockset manufacturer for proper installation instructions necessary to meet compatibility requirements.

# 1500 Series™ Electric Strike

*Works with most brands  
of cylindrical and mortise  
locksets without a deadbolt*



Also available in  
a Complete One  
Box Solution

The most advanced, modular electric strike that works with most brands of cylindrical or mortise locks designed to work with a 4-7/8" strike plate.

The 1500 Series Electric Strike sets a new standard in the industry by offering dynamic integrated adjustability and field configurable options compatible with any cylindrical or mortise lock. The modular design of the platform makes stocking and installing easier with interchangeable faceplates and accessories. For the first time, the aesthetics of an electric strike are complementary to other surrounding door hardware and blend in with the opening due to the fully finished design, available in eight finishes.

## Features

### Standard Features

- Stainless steel construction
- Tamper resistant
- Static strength 1,500 lbs
- Dynamic strength 70 ft-lbs
- Endurance 1 million cycles
- Field selectable fail safe/fail secure
- Non-handed
- Interchangeable faceplates and accessories
- Field replaceable components
- Fully finished faceplate, keeper, case and trim
- Field adjustable integrated shim
- Strike body depth 1-3/8" [34.9mm]
- SecuriCare five-year, no-fault, no questions asked warranty

### Optional Features

- **LM** Lock monitor
- **DLM** Dual lock monitors
- **LMS** Lock monitor and strike monitor
- **DLMS** Dual lock monitors and strike monitor

### Accessories

- **157** Torx screws
- **HESCUT-MTK** Metal template kit
- **1500-104-xxx** Lip extension trim adapter (finish to match)
- **1500-106-xxx** 4500 adapter and trim enhancer kit (finish to match)
- **OPT-1SRK** Spring replacement kit
- **OPT-1LM** Single lock monitor
- **OPT-1DLM** Dual lock monitors
- **MOD-1SOL** Solenoid replacement module

For easy 3D instructions, download the BILT mobile app



Grade 1



SecuriCare  
Warranty



Mortise Locks  
without  
Deadbolt



Cylindrical  
Locksets



Field Selectable  
(Fail secure  
/Fail safe)



Dual Voltage  
12/24



PoE  
Friendly



Fire Rated



Windstorm  
Rated



Outdoor  
Rated



Burglary  
Rated

h.e.s.

ASSA ABLOY

## Specifications

### Certifications

- ANSI/BHMA A156.31, Grade 1
- UL 1034 burglary-resistant listed and suitable for outdoor use
- UL 294 listed
- RoHS compliant
- UL 10C fire rated, 3-hour single door (fail secure only)
- UL 10C fire rated, 1-1/2 hour double door (fail secure only)
- CAN/ULC-S104 fire door conformant
- NFPA-252 fire door compliant
- ASTM-E152 fire door compliant
- California Fire Marshal listed
- ANSI/SDI A250.13 windstorm resistant
- Florida Building Code approved TAS 201, 202, 203
- ANSI-ASTM E330
- Sustainability documentation

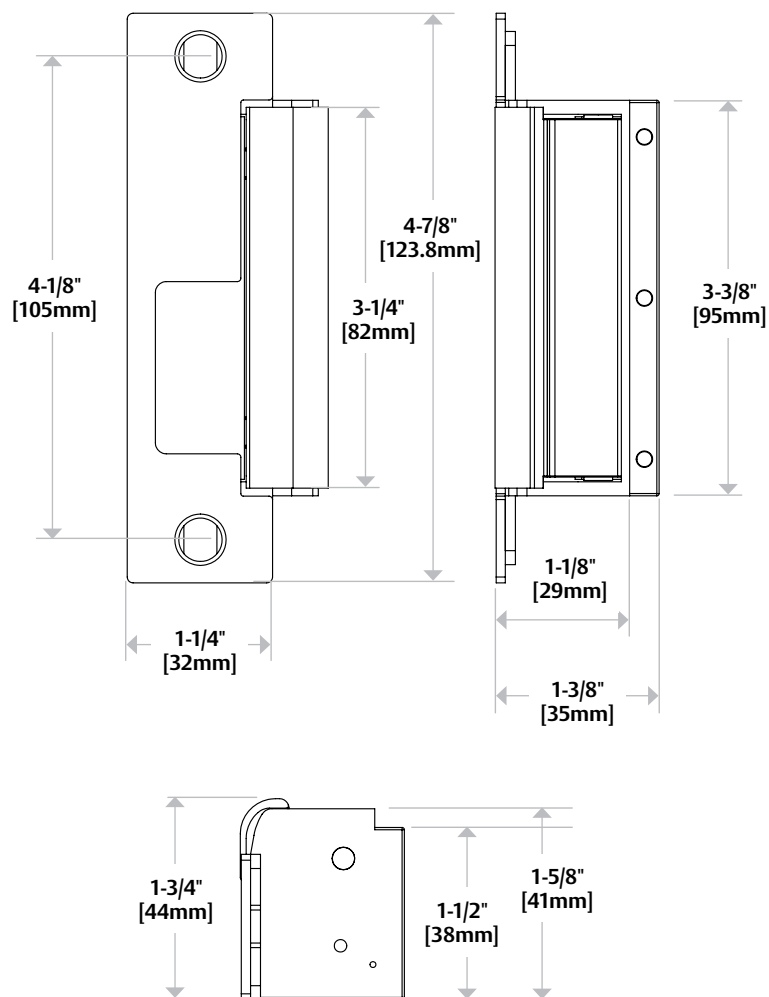
### Frame Application

- Metal
- Wood

### Electrical (DC Continuous Duty)

- Dual voltage 12/24 VDC/VAC
- 240 mA at 12 VDC/120 mA at 24 VDC
- PoE friendly

## Dimensions



## How to Order

SERIES	MODEL	FINISH*	OPTION (S)**
<b>1500</b>	—	— <b>630</b>	— <b>LM</b>
<b>1500</b> Universal Electric Strike; faceplate option kits ordered separately	<b>C*</b> Complete Electric Strike; includes 1LB faceplate kit for latchbolts	<b>605</b> Bright Brass <b>606</b> Satin Brass <b>612</b> Satin Bronze <b>613</b> Bronze Toned <b>613E</b> Dark Oxidized Satin Bronze Powder <b>629</b> Bright Stainless Steel <b>630</b> Satin Stainless Steel <b>BSP</b> Black Suede Powder	<b>(blank)</b> No Monitor <b>LM</b> Lock Monitor <b>DLM</b> Dual Lock Monitor <b>LMS</b> Lock Monitor and Strike Monitor <b>DLMS</b> Dual Lock Monitors and Strike Monitor

\*Complete Pacs are only available in the 630 finish \*\*LMS/DLMS factory installed only option.

NOTE: Electric strike compatibility is determined at time of electric strike product release. ASSA ABLOY is not responsible for incompatibility of products that have changed in design or craftsmanship by their respective manufacturers. When compatibility is a concern, contact Customer Support for application assistance.

# 1600 Series™ Electric Strike

*Works with all brands of cylindrical and mortise locksets, with or without a deadbolt*



Also available in a Complete One Box Solution

The 1600 Series electric strike accommodates up to a 1" deadbolt with enhanced vertical cavity spacing.

The 1600 Series Electric Strike sets a new standard in the industry by offering dynamic integrated adjustability and field configurable options compatible with any cylindrical or mortise lock. The modular design of the platform makes stocking and installing easier with interchangeable faceplates and accessories. For the first time, the aesthetics of an electric strike are complementary to other surrounding door hardware and blend in with the opening due to the fully finished design, available in eight finishes.

## Features

### Standard Features

- Stainless steel construction
- Tamper resistant
- Static strength 1,500 lbs
- Dynamic strength 70 ft-lbs
- Endurance 1 million cycles
- Field selectable fail safe/fail secure
- Non-handed
- Interchangeable faceplates and accessories
- Field replaceable components
- Fully finished faceplate, keeper, case and trim
- Field adjustable integrated shim
- Strike body depth 1-5/8" [41.3mm]
- SecuriCare five-year, no-fault, no questions asked warranty

### Optional Features

- **LM** Lock monitor
- **DLM** Dual lock monitors
- **LMS** Lock monitor and strike monitor
- **DLMS** Dual lock monitors and strike monitor

### Accessories

- **157** Torx screws
- **HESCUT-MTK** Metal template kit
- **1600-104-xxx** Lip extension trim adapter (finish to match)
- **1600-106-xxx** 1006 adapter and trim enhancer kit (filler plate finished to match, black trim enhancer)
- **OPT-1SRK** Spring replacement kit
- **OPT-1LM** Single lock monitor
- **OPT-1DLM** Dual lock monitors
- **MOD-1SOL** Solenoid replacement module

For easy 3D instructions, download the BILT mobile app



Grade 1



SecuriCare Warranty



Mortise Locks with Deadbolt



Mortise Locks without Deadbolt



Cylindrical Locksets



Field Selectable (Fail secure / Fail safe)



Dual Voltage 12/24



PoE Friendly



Fire Rated



Windstorm Rated



Outdoor Rated



Burglary Rated

h.e.s.

ASSA ABLOY



## Specifications

### Certifications

- ANSI/BHMA A156.31, Grade 1
- UL 1034 burglary-resistant listed and suitable for outdoor use
- UL 294 listed
- RoHS compliant
- UL 10C fire rated, 3-hour single door (fail secure only)
- UL 10C fire rated, 1-1/2 hour double door (fail secure only)
- CAN/ULC-S104 fire door conformant
- NFPA-252 fire door compliant
- ASTM-E152 fire door compliant
- California Fire Marshal listed
- ANSI/SDI A250.13 windstorm resistant
- Florida Building Code approved TAS 201, 202, 203
- ANSI-ASTM E330

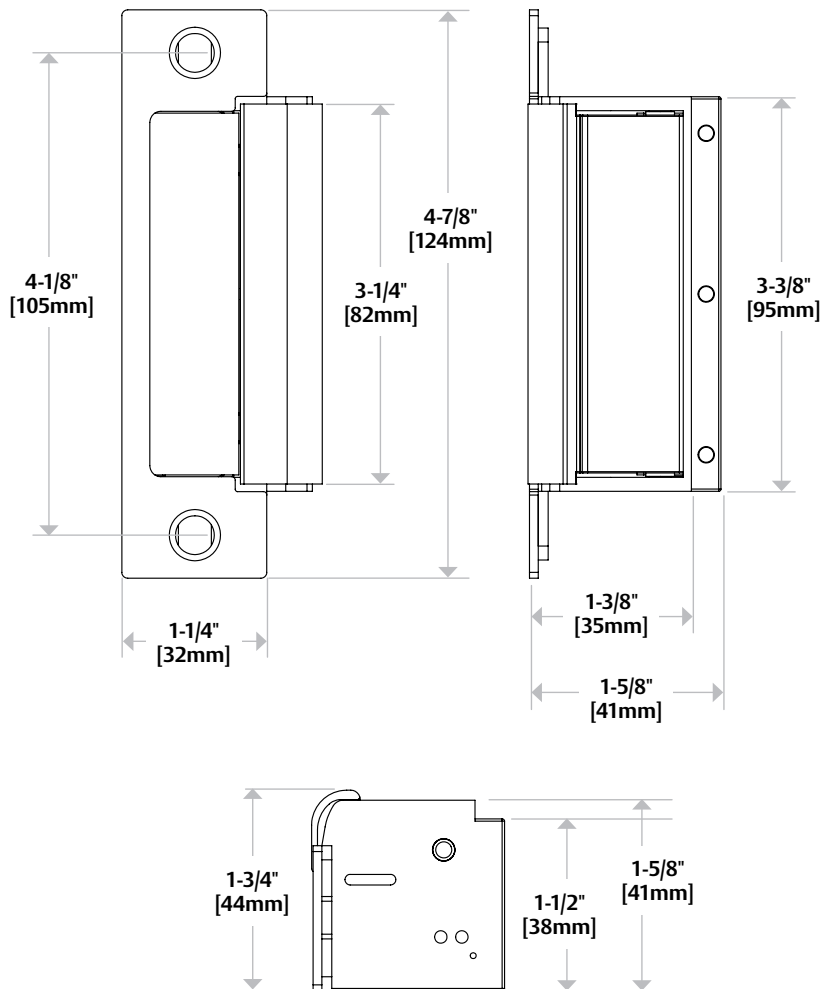
### Frame Application

- Metal
- Wood

### Electrical (DC Continuous Duty)

- Dual voltage 12/24 VDC/VAC
- 240 mA at 12 VDC/120 mA at 24 VDC
- PoE friendly

## Dimensions



## How to Order

SERIES	MODEL	FINISH*	OPTION (S)
<b>1600</b>	<b>- CS</b>	<b>- 630</b>	<b>- LM</b>
<b>1600</b> Universal Electric Strike	<b>(blank)</b> Electric strike body only, faceplates ordered separately	<b>605</b> Bright Brass	<b>(blank)</b> No Monitor
	<b>CS*</b> Complete Electric Strike; includes 1LB faceplate kit for latchbolts and 1DB faceplate kit for deadbolts	<b>606</b> Satin Brass	<b>LM</b> Lock Monitor
	<b>CLB*</b> Complete Electric Strike for Latchbolt Locks; includes 1LB faceplate kit for latchbolts	<b>612</b> Satin Bronze	<b>DLM</b> Dual Lock Monitor
	<b>CDB*</b> Complete Electric Strike for Deadbolt Locks; includes 1DB faceplate kit for deadbolts	<b>613</b> Bronze Toned	<b>LMS</b> Lock Monitor and Strike Monitor
		<b>613E</b> Dark Oxidized Satin Bronze Powder	<b>DLMS</b> Dual Lock Monitors and Strike Monitor
		<b>629</b> Bright Stainless Steel	
		<b>630</b> Satin Stainless Steel	
		<b>BSP</b> Black Suede Powder	

\*Complete Pacs are only available in the 630 finish

NOTE: Electric strike compatibility is determined at time of electric strike product release. ASSA ABLOY is not responsible for incompatibility of products that have changed in design or craftsmanship by their respective manufacturers. When compatibility is a concern, contact Customer Support for application assistance.

# ES100 Series Wireless Integrated Electric Strike

*The most versatile way to retrofit an opening with real-time online access control*



## The ES100 Series Wireless Electric Strikes make online access control simple and affordable.

For the first time, the industry leading features of the 1500 and 1600 series electric strikes have been paired with Aperio® wireless technology to provide even more affordable access control retrofit options for remote control and monitoring. Available in both Convenient (non-monitored) and Secure (monitored) model options. Compatible with most models of cylindrical and mortise latchbolt locksets, including 1" deadbolts. Simply put, the ES100 Series Electric Strike is the affordable, universal retrofit solution that offers flexible configuration options and dynamic adjustability without the need to run wires.

## Features

### Standard Features (All Models)

- 2.4 GHz Aperio wireless technology
- Integrates with existing access control systems and credentials
- Audit trail limited by access control system
- Battery operated for stand-alone operation
- SecuriCare three-year, no-fault, no questions asked warranty

### Electric Strike Features

- Non-handed
- Fail secure operation (standard)
- Static strength 1,500 lbs
- Dynamic strength 70 ft-lbs
- Interchangeable faceplates and accessories
- Factory configured monitored (M) and non-monitored options
  - » M Security – Monitored (Latch and Door Position Monitor with Request to Exit)
  - » MH Security – Monitored Kit with AH20 1:1 Wiegand Hub

- Integrated locked state and tamper monitoring
- Field adjustable integrated shim for changing door conditions
- Fully finished faceplate, keeper, case, trim, and strike body
- Stainless steel construction
- Tamper resistant
- Strike body depths  
1500: 1-3/8" [35mm]  
1600: 1-5/8" [41mm]

### Card Reader Features

- Supports HID multiCLASS SE® card technologies
- Supports NFC & BLE mobile access credentials
- BiColor LED visual status indicators; Red/Amber or Green/Amber



Grade 1

SecuriCare  
WarrantyMortise Locks  
with DeadboltMortise Locks  
without  
DeadboltCylindrical  
Locksets

Fire Rated

Windstorm  
RatedBurglary  
Rated

*NOTE: The ES100 Electric Strike is available as either a pre-paired lock and hub kit (no certification required) or as a field configurable component (requires Aperio® Certified Integrator certification). Pre-paired kits support limited features. Field configured devices are required in order to support all options. Visit [IntelligentOpenings.com](http://IntelligentOpenings.com) to learn more.*

ASSA ABLOY

### Accessories (For use with all models)

- **157** Torx screws
- **HESCUT-MTK** Metal template kit
- **Latch Guard**
- **OPT-1SRK** Spring replacement kit
- **OPT-1LM** Single lock monitor
- **EXT-10-ANT** Aperio® Hub External Antenna (Omni-directional)
- **APD10USB** Aperio Radio Dongle\*
- **ACC10** Credential Test Cards

\*Only available through ACP/CI channel

### For use with 1500 models (XXX – finished to match)

- **1500-104-XXX** Lip extension trim adapter
- **1500-106-XXX** 4500 adapter and trim enhancer kit

### For use with 1600 models (XXX – finished to match)

- **1600-104-XXX** Lip extension trim adapter
- **1600-106-XXX** 1006 adapter and trim enhancer kit (filler plate finished to match, black trim enhancer)

## Specifications

### Certifications

- UL 294 listed
- FCC Part 15 & Industry Canada Compliant
- CE Red – Radio Equipment Directive – 2014/53/EU
- UL 1034 burglary-resistant
- UL 10C fire rated, 3-hour single door (fail secure only)
- UL 10C fire rated, 1-1/2 hour double door (fail secure only)
- CAN/ULC-S2014 fire door conformant
- NFPA-252 fire door conformant
- ASTM-E152 fire door compliant
- California Fire Marshall listed
- ANSI/SDI A250.13 windstorm resistant
- Florida Building Code approved TAS 201, 202, 203
- ANSI-ASTM E330
- RoHS compliant

### Frame Application

- Metal
- Wood

### Electrical

- Estimated Battery Life: 45,000 Cycles\*
- (2) “AA” lithium batteries (included)
  - » AA LR6 (1.5 V) Lithium Ion Batteries required. Use of other types of batteries, such as alkaline, will significantly decrease battery life.
- microUSB port for emergency power

\*All battery life claims are approximate and based on a set configuration profile. Battery performance is based on pre-defined system settings such as battery chemistry and battery model used, credential presentation settings (LED/buzzer), UHF polling period, UHF status intervals, and operations per day. Actual battery performance will vary and depends on the factors above.

### Environmental

#### Electric Strike

- **Operating Temperature** -13° to 140° F [-25° to 60° C]
- **Operating Humidity** 0 to 90% relative humidity non-condensing

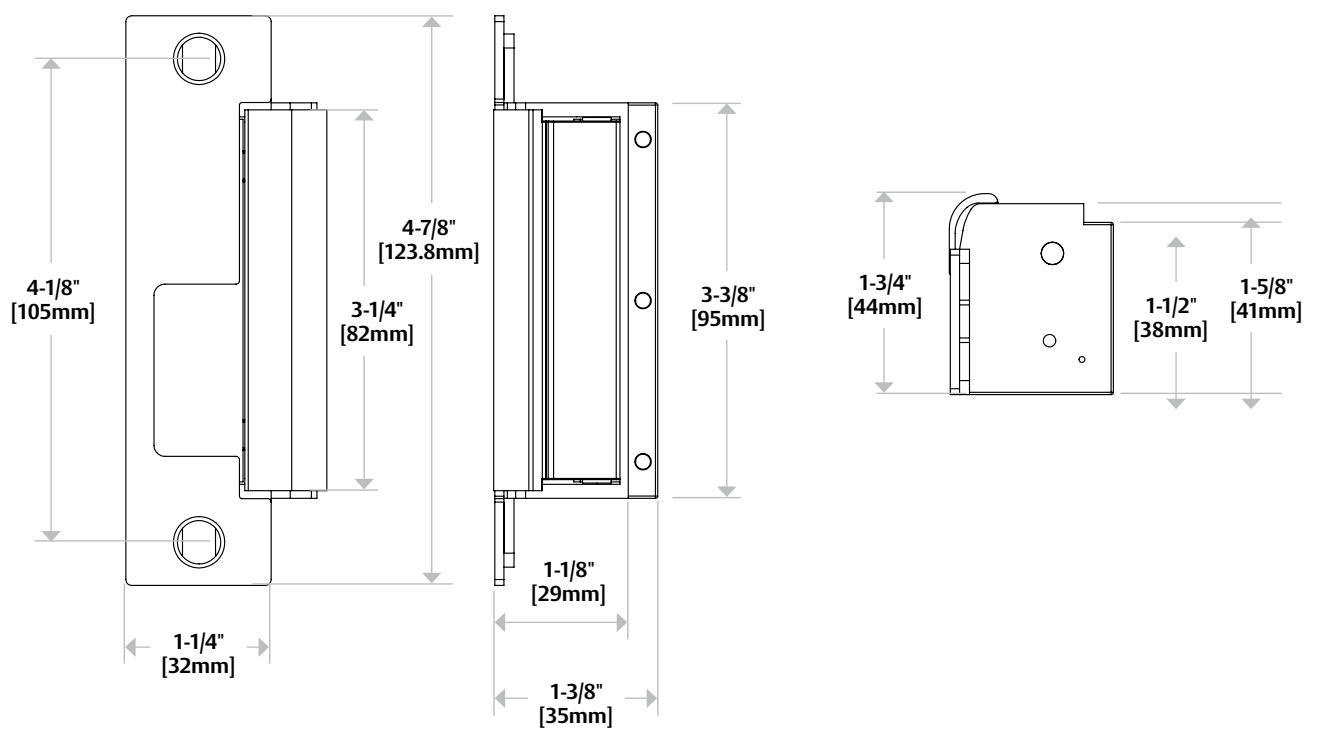
#### Card Reader

- **Operating Temperature** 14° to 140° F [-10° to 60° C]
- **Operating Humidity** 0 to 90% relative humidity non-condensing
- Tested to IP65

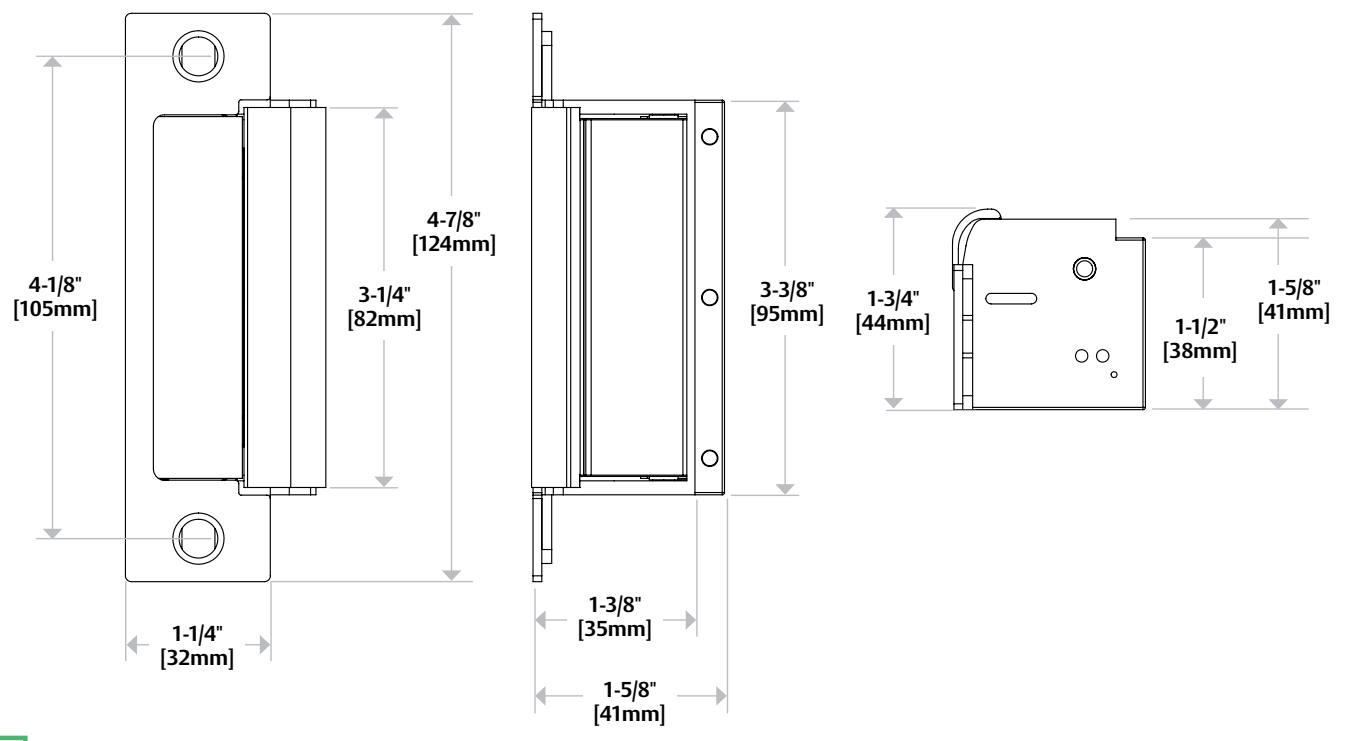
### Card Technology HID® multiCLASS SE®

- **High Frequency (13.56 MHz)**
  - » HID iCLASS®
  - » HID iCLASS SE® (SIO®-enabled)
  - » HID iCLASS® Seos®
  - » HID MIFARE® SE
  - » HID DESFire® EV1 SE
  - » MIFARE CLASSIC
  - » DESFire® EV1
  - » DESFire® EV2 (legacy mode)
- **Low Frequency (125 kHz)**
  - » HID Prox®
  - » AWID
  - » EM4102
  - » IOProx
- **Mobile Access Credentials**
  - » NFC
  - » HID BLE Mobile Access
  - » SEOS iOS Apple Wallet

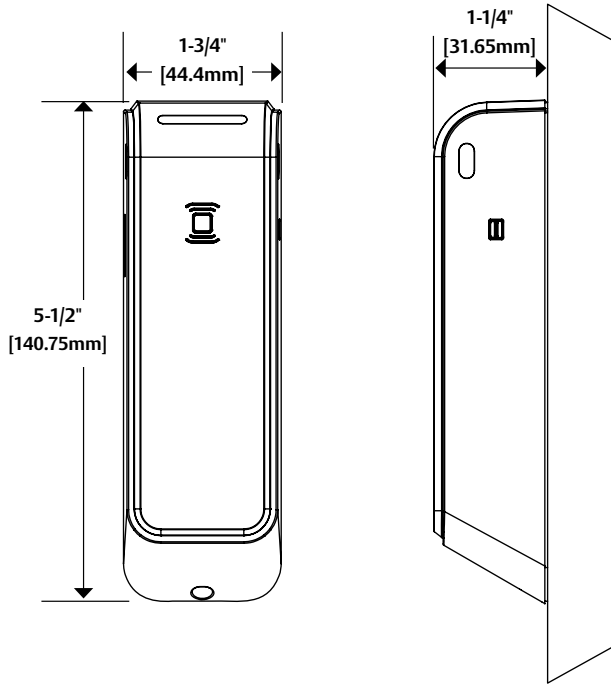
### ES100-15 Dimensions



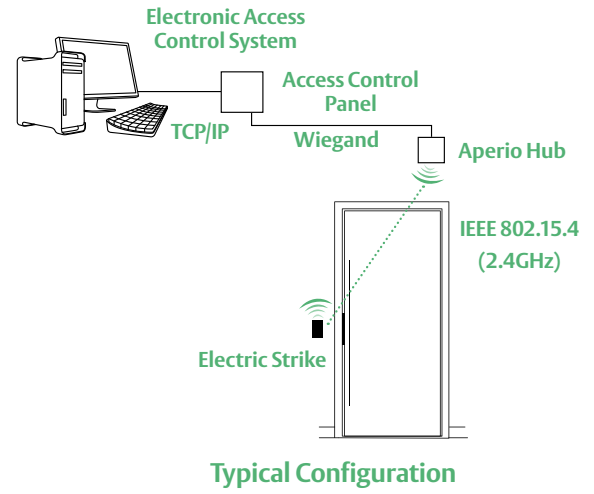
### ES100-16 Dimensions



## ES100 Reader Dimensions



- Reader Harness Length 9" [228.6 mm]
- Strike Harness Length 7" [177.8 mm]
- Strike DPS/Latch Monitor Harness Length 10" [254mm]



Local wireless communication eliminates the cost and inconvenience of wiring in and around the door, without the hassle of complex site surveys.

## How to Order

SERIES	MODEL	FACEPLATES	OPTIONS	CARD TECHNOLOGY	STRIKE FINISH
ES100	- 15	L	M	-IPS	- 630
	15 Reader Body and 1500 Strike for ANSI Latchbolt Locks	(blank) Strike Body Only L Complete Pac for Latchbolts	(blank)** Convenience — Non-Monitored; Field configured to work with AH20, AH30, or AH40 wireless hubs	IPS HID iCLASS®, HID iCLASS SE® (SIO-enabled), HID iCLASS® Seos™, HID MIFARE® SE, HID DESFire® EV1 SE, MIFARE Classic, MIFARE DESFire EV1, NFC-enabled Mobile Phones: HID Mobile Access (NFC), Seos Apple Wallet (NFC)	605 Bright Brass 606 Satin Brass 612 Satin Bronze 613E Dark Oxidized Bronze Powder
	16 Reader Body and 1600 Strike for ANSI Latchbolt & Deadbolt Lockse	D* Complete Pac for Deadbolts S* Complete Pac for Latchbolts and Deadbolts	M** Security — Monitored (Latch and Door Position Monitor with REX) H*** Without Monitoring; Factory Paired with AH20 1:1 Wiegand Hub MH*** With Monitoring; Factory Paired with AH20 1:1 Wiegand Hub	IPEXXXX† Same as IPS but with factory loaded HID Elite Credential  BIPSXXXXX***† HID iCLASS, HID iCLASS SE (SIO-enabled), HID iCLASS Seos, HID MIFARE SE, HID DESFire EV1 SE, MIFARE Classic, MIFARE DESFire EV1, NFC & BLE-enabled Mobile Phones: HID Mobile Access (BLE and NFC), Seos Apple Wallet (NFC)  BIPEXXXXX***† Same as BIPS but with factory loaded HID Elite Credential	629 Bright Stainless Steel 630 Satin Stainless Steel BSP Black Suede Powder

\*Available with 1600 Only. \*\* Only available through ACP/CI channel. \*\*\*XXXXX is a unique or customer specific key that is only reorderable for that specific company. \*\*\* Only available with L or S Complete Pac Options in 630 finish. † HID Authorization form will need to be filled out and signed by the end user who has authority of the ELITE KEY.

## 1500C Complete Electric Strike

*For all cylindrical and mortise locksets with 3/4" latchbolt.*

The 1500C includes a 1500 electric strike body and the 1LB faceplate kit for latchbolts.

1J Option      1KM Option

1K Option      1KD Option

### Compatible Locksets



## 1600CLB Complete for Latchbolt Locks

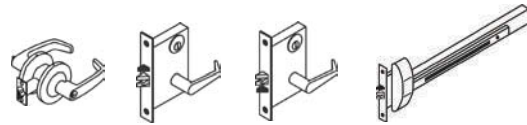
*The Complete One Box Solution for all cylindrical and mortise locksets.*

The 1600CLB includes a 1600 electric strike body and the 1LB faceplate kit for latchbolts.

1J Option      1KM Option

1K Option      1KD Option

### Compatible Locksets



## 1600CS Complete Electric Strike

*The Complete One Box Solution for all cylindrical and mortise locksets, with or without a 1" deadbolt.*

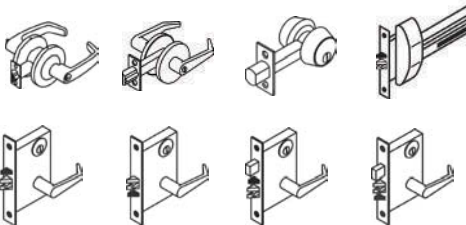
The 1600CS includes a 1600 electric strike body, the 1LB faceplate kit for latchbolts and the 1DB faceplate kit for deadbolts.

1J Option      1KD Option      1ND Option

1K Option      1N Option      1NTD Option

1KM Option      1NM Option

### Compatible Locksets



## 1600CDB Complete for Deadbolt Locks

*The Complete One Box Solution for all locksets with a 1" deadbolt.*

The 1600CDB includes a 1600 electric strike body and the 1DB faceplate kit for deadbolts.



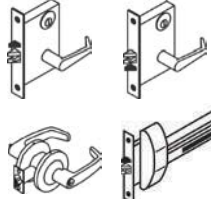


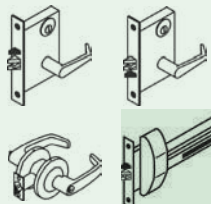

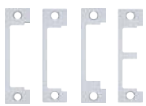
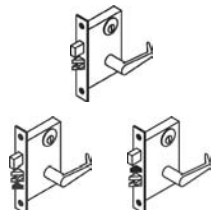


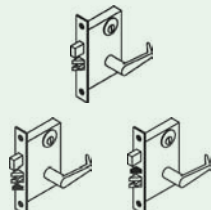
1N Option      1ND Option

1NM Option      1NTD Option

### Compatible Locksets

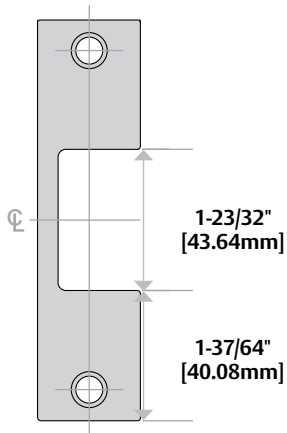


# 1500 | 1600 | ES100 Series Faceplate Options

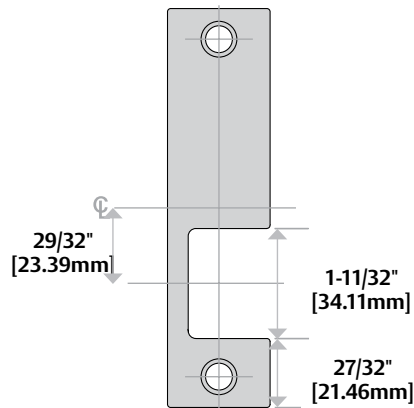
<p><b>OPERATION</b></p>	 <p>Cylindrical Locksets Mortise Locks without Deadbolt</p>	<p>After releasing the latchbolt, the keeper returns to the locked position.</p>
 <p><b>4-7/8" x 1-1/4"</b> [123.8mm x 31.75mm]</p>	<p><b>1LB Option</b></p> <p><b>The Latchbolt Solution:</b> Includes the hardware to accommodate every cylindrical and mortise lock up to a 3/4" [19mm] latchbolt. For metal frame applications.</p>	
<p><b>OPERATION</b></p>	 <p>Cylindrical Locksets Mortise Locks without Deadbolt</p>	<p>After releasing the latchbolt, the keeper returns to the locked position.</p>
 <p><b>9" x 1-3/8"</b> [123.8mm x 34.9mm]</p>	<p><b>1LB-2 Option</b></p> <p><b>The Latchbolt Solution:</b> Includes the hardware to accommodate every cylindrical and mortise lock up to a 3/4" [19mm] latchbolt. For wood frame applications.</p>	
<p><b>OPERATION</b></p>	 <p>Mortise Locks with Deadbolt</p>	<p>After releasing the latchbolt, the keeper returns to the locked position.</p>
 <p><b>4-7/8" x 1-1/4"</b> [123.8mm x 31.75mm]</p>	<p><b>1DB Option (1600 Only)</b></p> <p><b>The Deadbolt Solution:</b> Includes all hardware to retain, and release all mortise locks, and tubular deadbolts up to a 1" latchbolt. For metal frame applications.</p> <p><i>Mode 1: Night latch function. The deadbolt is retracted during traffic hours. The latchbolt is released by the keeper and keeper returns to the locked position.</i></p> <p><i>Mode 2: Lockout function. The electric strike will not release if the deadbolt is extended.</i></p>	
<p><b>OPERATION</b></p>	 <p>Mortise Locks with Deadbolt</p>	<p>After releasing the latchbolt, the keeper returns to the locked position.</p>
 <p><b>9" x 1-3/8"</b> [123.8mm x 34.9mm]</p>	<p><b>1DB-2 Option (1600 Only)</b></p> <p><b>The Deadbolt Solution:</b> Includes all hardware to retain, and release all mortise locks, and tubular deadbolts up to a 1" latchbolt. For wood frame applications.</p> <p><i>Mode 1: Night latch function. The deadbolt is retracted during traffic hours. The latchbolt is released by the keeper and keeper returns to the locked position.</i></p> <p><i>Mode 2: Lockout function. The electric strike will not release if the deadbolt is extended.</i></p>	

# 1500 | 1600 | ES100 Series Faceplate Option Dimensions

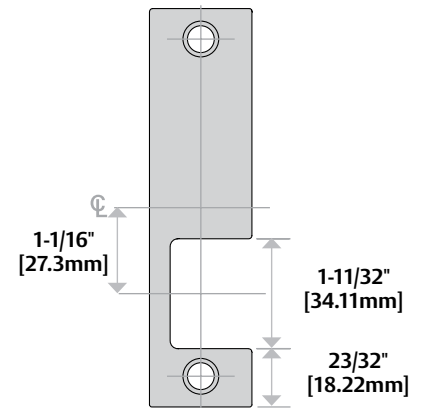
1J



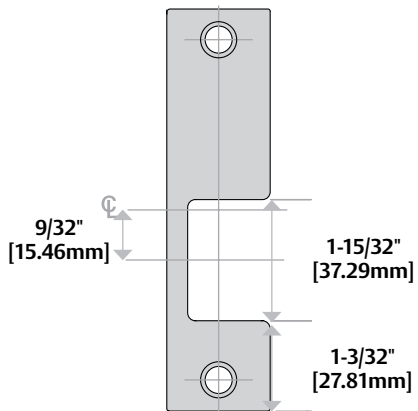
1K



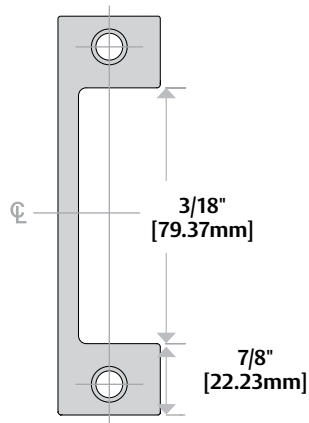
1KD



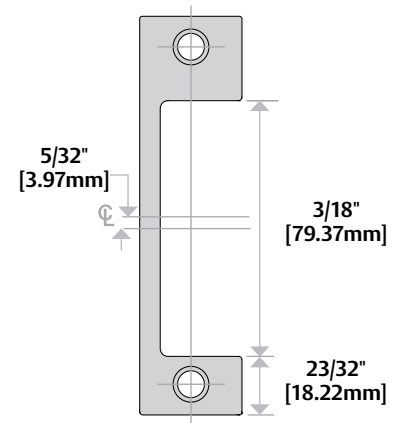
1KM



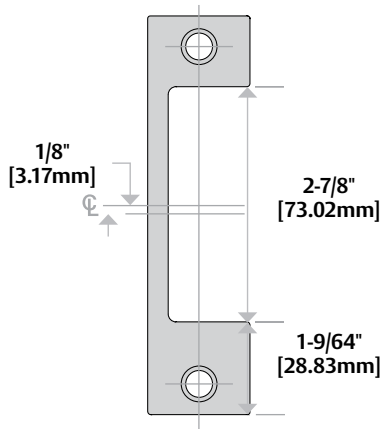
1N



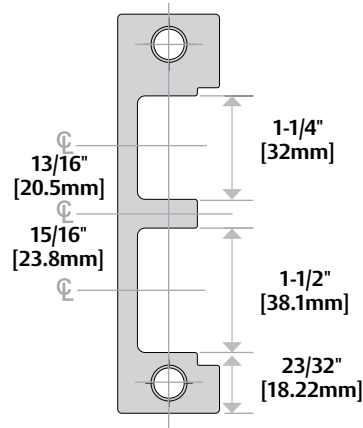
1ND



1NM

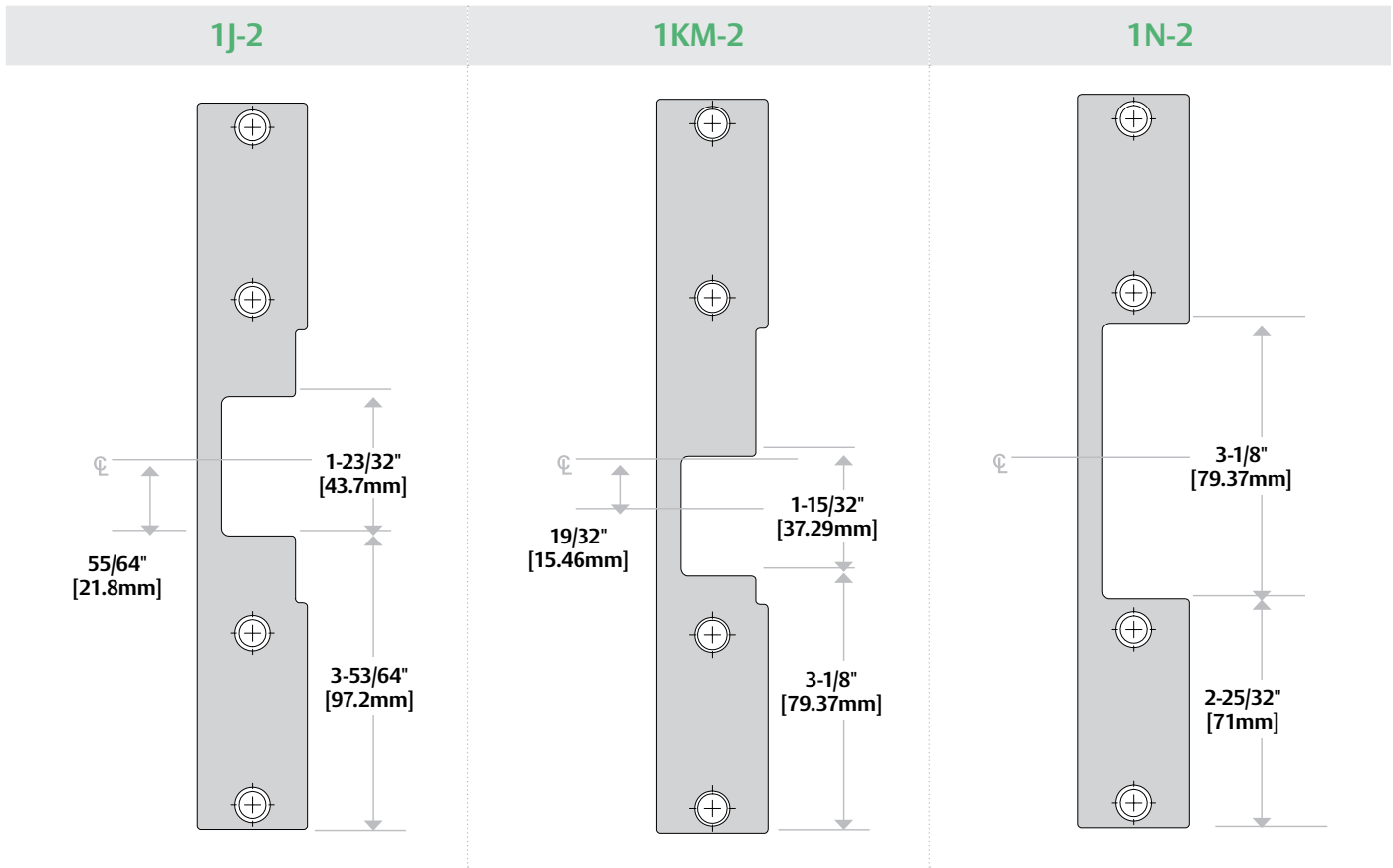


1NTD





# 1500 | 1600 | ES100 Series Faceplate Option Dimensions



# 4500C Electric Strike Complete Pac

Works with cylindrical and mortise locksets up to a 3/4" throw latchbolt



## The low profile, heavy-duty, fire rated solution.

The 4500C Series Electric Strike is designed to maintain 1/2" drywall penetration even in a 2" UL 10C fire rated frame. The 4500C features a low profile 1-3/8" depth and heavy-duty stainless steel construction. Its strength is derived from a unique keeper pin locking design, enabling the 4500C to exceed the ratings of the frame, door and locking hardware. The 4500C includes two faceplates designed to accommodate either cylindrical or mortise locksets up to a 3/4" throw latchbolt.

## Features

### Standard Features

- Stainless steel construction
- Tamper resistant
- Static strength 1,500 lbs
- Dynamic strength 100 ft-lbs
- Endurance 1 million cycles
- Field selectable fail safe/fail secure
- Two faceplates provided to accommodate a variety of locksets
- Non-handed
- Internally mounted solenoid
- Accommodates up to a 3/4" [19mm] latchbolt
- Strike body depth 1-3/8" [34.9mm]
- Plug-in connector
- Trim enhancer
- Full keeper shims for horizontal adjustment
- SecuriCare five-year, no-fault, no questions asked warranty (Addition of SMART Pac® III extends the warranty to 10 years)

### Optional Features

- **LBM** Latchbolt monitor
- **LBSM** Latchbolt strike monitor

### Accessories

- **4500-105** Trim enhancer - black
- **4500-110** Replacement strike plate
- **4500-131** Filler block - 7/16" [11mm]
- **150** Strike latch guard
- **HESCUT-MTK** Metal template kit
- **2001M** Plug-in bridge rectifier
- **2004M** ElectroLynx® adapter
- **2005M3** SMART Pac® III
- **2006M** Plug-in buzzer
- **4501-1/2** 1/2" [12.7mm] stackable lip extension
- **4501-1** 1" [25.4mm] stackable lip extension



Grade 1

SecuriCare  
WarrantyMortise Locks  
without  
DeadboltCylindrical  
LocksetsField Selectable  
(Fail secure  
/Fail safe)Dual Voltage  
12/24PoE  
Friendly

Fire Rated

Burglary  
Rated

ASSA ABLOY

## Specifications

### Certifications

- ANSI/BHMA A156.31, Grade 1
- UL 1034 burglary-resistant listed
- UL 294 listed
- UL 10C fire rated, 3-hour (fail secure only)
- CAN/ULC-S104 fire door conformant
- NFPA-252 fire door compliant
- ASTM-E152 fire door compliant
- California Fire Marshal listed

### Frame Application

- Metal

### Electrical (DC Continuous Duty)

- Dual voltage 12/24 VDC/VAC
- 240 mA at 12 VDC/120 mA at 24 VDC
- PoE friendly

## Dimensions

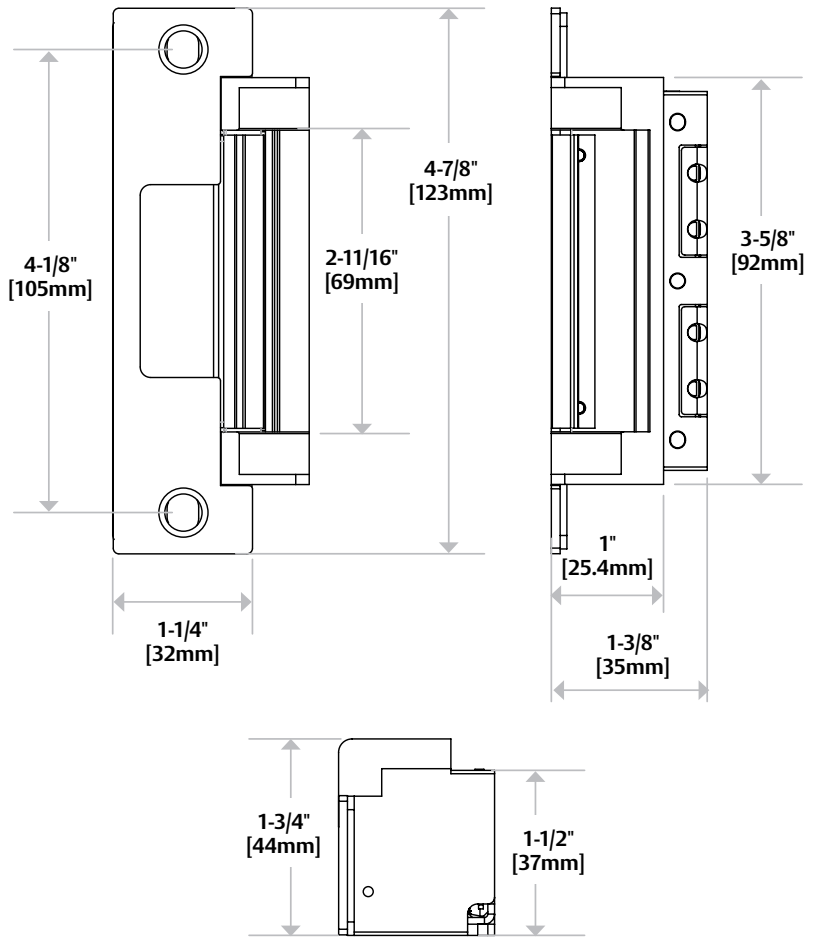


Diagram shown with cylindrical faceplate

## How to Order

SERIES	FINISH	OPTION (S)
<b>4500C</b>	<b>- 630</b>	<b>- LBM</b>
<b>4500C</b> Complete Electric Strike; includes faceplates for cylindrical and mortise locks	<b>605</b> Bright Brass <b>606</b> Satin Brass <b>612</b> Satin Bronze <b>613</b> Bronze Toned <b>629</b> Bright Stainless Steel <b>630</b> Satin Stainless Steel	<b>(blank)</b> No Monitor <b>LBM</b> Latchbolt Monitor <b>LBSM</b> Latchbolt Strike Monitor

NOTE: Electric strike compatibility is determined at time of electric strike product release. ASSA ABLOY is not responsible for incompatibility of products that have changed in design or craftsmanship by their respective manufacturers. When compatibility is a concern, contact Customer Support for application assistance.

# 5000 Electric Strike

Works with cylindrical locksets  
up to a 5/8" throw latchbolt



Also available in  
a Complete One  
Box Solution

## The Grade 1, low-profile solution for cylindrical locksets.

The 5000 Series Electric Strike is a compact, high performance electric strike designed for low profile openings where there is limited space behind the jamb. Its strength is derived from a unique keeper pin locking design, enabling the 5000 to exceed the ratings of the frame, door and locking hardware. This field selectable fail safe/fail secure unit is easy to install and accommodates latchbolts up to 5/8" throw.

## Features

### Standard Features

- Tamper resistant
- Static strength 1,500 lbs
- Dynamic strength 70 ft-lbs
- Endurance 1 million cycles
- Field selectable fail safe/fail secure
- Non-handed
- Internally mounted solenoid
- Accommodates 1/2" – 5/8" [12.7mm – 15.9mm] latchbolt (5/8" [15.9mm] with 1/8" [3.2mm] door gap)
- Strike body depth 1-1/16" [27.3mm]
- Plug-in connector
- Trim enhancer included
- SecuriCare five-year, no-fault, no questions asked warranty (*Addition of SMART Pac® III extends the warranty to 10 years*)

### Optional Features

- **LBM** Latchbolt monitor

### Accessories

- **150** Strike latch guard
- **HESCUT-MTK** Metal template kit
- **2001M** Plug-in bridge rectifier
- **2004M** ElectroLynx® adapter
- **2005M3** SMART Pac® III
- **2006M** Plug-in buzzer
- **5104-1/2** 1/2" [12.7mm] stackable lip extension
- **5104-1** 1" [25.4mm] stackable lip extension
- **5104-1-1/4** 1-1/4" [32mm] stackable lip extension



Grade 1



SecuriCare  
Warranty



Cylindrical  
Locksets



Field Selectable  
(Fail secure  
/Fail safe)



Dual Voltage  
12/24



PoE  
Friendly



Outdoor  
Rated



Burglary  
Rated

hes.

ASSA ABLOY

## Specifications

### Certifications

- ANSI/BHMA A156.31, Grade 1
- UL 1034 burglary-resistant listed and suitable for outdoor use
- UL 294 listed
- RoHS compliant

### Frame Application

- Metal
- Wood

### Electrical (DC Continuous Duty)

- Dual voltage 12/24 VDC/VAC
- 240 mA at 12 VDC/120 mA at 24 VDC
- PoE friendly

## Dimensions

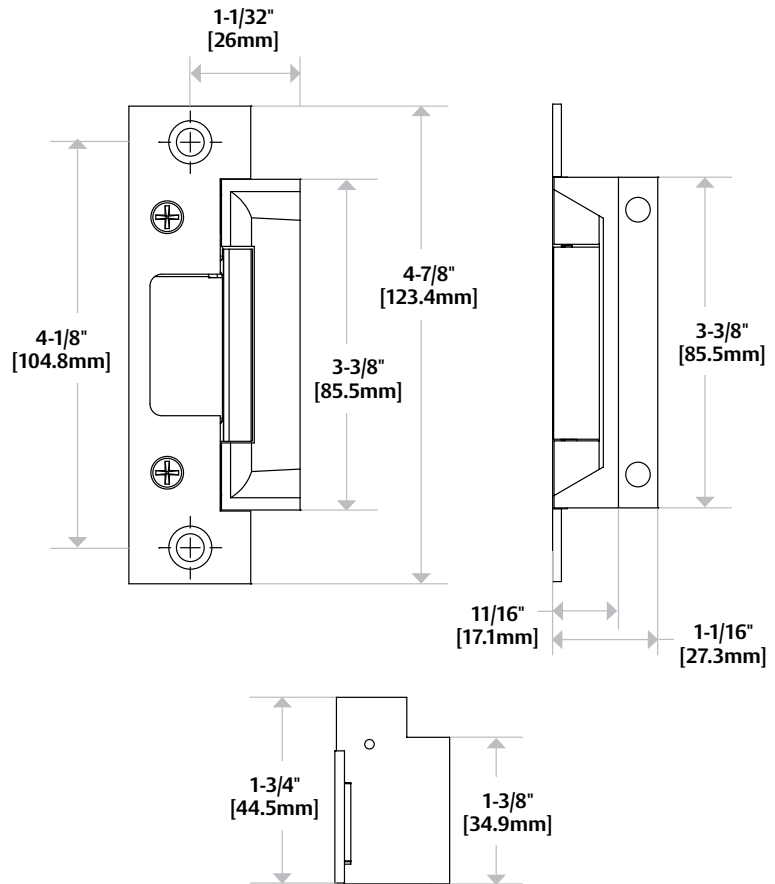


Diagram shown with 501 Option

## How to Order

SERIES	MODEL	FINISH	OPTION (S)
<b>5000</b>	<b>C</b>	<b>- 630</b>	<b>- LBM</b>
<b>5000</b> Universal Electric Strike; faceplate option kits ordered separately	<b>C*</b> Complete Electric Strike; includes the 501 and 501A faceplates <b>(blank)</b> Strike Body Only	<b>630</b> Satin Stainless Steel	<b>(blank)</b> No Monitor <b>LBM</b> Latchbolt Monitor

\*Complete Pacs are only available in the 630 finish

FACEPLATE OPTIONS	FINISH
<b>502</b>	<b>- 613E</b>
<b>For Cylindrical Locksets (ANSI Metal)</b>	<b>605</b> Bright Brass
<b>501 Option 4-7/8" x 1-1/4"</b>	<b>606</b> Satin Brass
<b>For Cylindrical Locksets (Aluminum)</b>	<b>612</b> Satin Bronze
<b>501A Option 4-7/8" x 1-1/4"</b>	<b>613E</b> Dark Oxidized Satin Bronze Powder
<b>502 Option 7-15/16" x 1-7/16"</b>	<b>629</b> Bright Stainless Steel
<b>503 Option 6-7/8" x 1-1/4"</b>	<b>630</b> Satin Stainless Steel
<b>For Cylindrical Locksets (Wood)</b>	<b>630</b> Satin Stainless Steel
<b>504 Option 10" x 1-3/8"</b>	<b>BSP</b> Black Suede Powder

NOTE: Electric strike compatibility is determined at time of electric strike product release. ASSA ABLOY is not responsible for incompatibility of products that have changed in design or craftsmanship by their respective manufacturers. When compatibility is a concern, contact Customer Support for application assistance.

# 5200 Electric Strike

Works with cylindrical locksets  
up to a 3/4" throw latchbolt



Also available in  
a Complete One  
Box Solution

## The Grade 1 solution with horizontal adjustability.

The 5200 Series Electric Strike features an in-frame horizontal adjustable design to simplify the installation process. This feature allows the installer to easily adjust the electric strike opening to accommodate the horizontal position of the latchbolt after the strike has been installed. This field selectable fail safe/fail secure unit is easy to install and accommodates latchbolts up to 3/4" throw.

## Features

### Standard Features

- Tamper resistant
- Static strength 1,500 lbs
- Dynamic strength 70 ft-lbs
- Endurance 1 million cycles
- Field selectable fail safe/fail secure
- In-frame horizontal adjustment
- Non-handed
- Internally mounted solenoid
- Accommodates 5/8" – 3/4" [15.9mm – 19mm] latchbolt (3/4" [19mm] with 1/8" [3.2mm] door gap)
- Strike body depth 1-3/16" [30.2mm]
- Plug-in connector
- Trim enhancer included
- SecuriCare five-year, no-fault, no questions asked warranty (*Addition of SMART Pac® III extends the warranty to 10 years*)

### Optional Features

- **LBM** Latchbolt monitor
- **LBSM** Latchbolt strike monitor

### Accessories

- **5200-500** Filler block for retrofit applications
- **150** Strike latch guard
- **HES CUT-MTK** Metal template kit
- **2001M** Plug-in bridge rectifier
- **2004M** ElectroLynx® adapter
- **2005M3** SMART Pac® III
- **2006M** Plug-in buzzer
- **5204-1/2** 1/2" [12.7mm] stackable lip extension
- **5204-1** 1" [25.4mm] stackable lip extension
- **5204-1-1/4** 1-1/4" [31.8mm] stackable lip extension



Grade 1



SecuriCare  
Warranty



Cylindrical  
Locksets



Field Selectable  
(Fail secure  
/Fail safe)



Dual Voltage  
12/24



PoE  
Friendly



Burglary  
Rated

hes.

ASSA ABLOY

## Specifications

### Certifications

- ANSI/BHMA A156.31, Grade 1
- UL 1034 burglary-resistant listed
- UL 294 listed
- RoHS compliant

### Frame Application

- Metal
- Wood

### Electrical (DC Continuous Duty)

- Dual voltage 12/24 VDC/VAC
- 240 mA at 12 VDC/120 mA at 24 VDC
- PoE friendly

## Dimensions

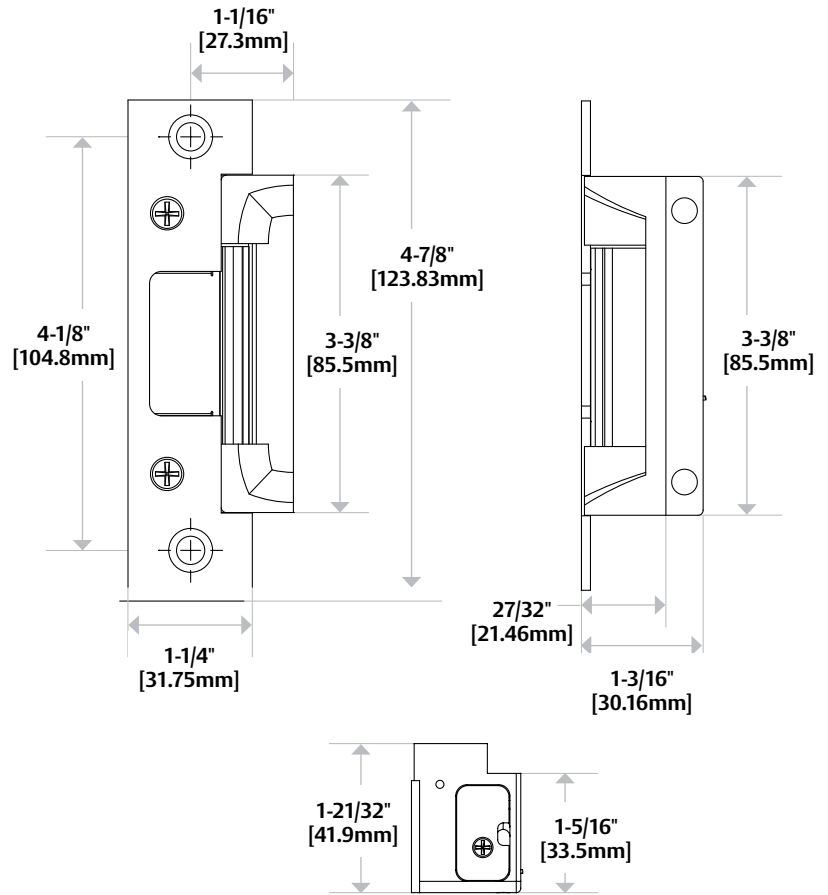


Diagram shown with 501 Option

## How to Order Specify quantity and the following information. Order related products separately

SERIES	MODEL	FINISH	OPTION (S)
<b>5200</b>	<b>C</b>	<b>- 630</b>	<b>- LBM</b>
<b>5200</b> Universal Electric Strike; faceplate option kits ordered separately	<b>C*</b> Complete Electric Strike; includes the 501 and 501A faceplates <b>(blank)</b> Strike Body Only	<b>630</b> Satin Stainless Steel	<b>(blank)</b> No Monitor <b>LBM</b> Latchbolt Monitor <b>LBSM</b> Latchbolt Strike Monitor

\*Complete Pacs are only available in the 630 finish

FACEPLATE OPTIONS	FINISH
<b>502</b>	<b>- 613E</b>
<b>For Cylindrical Locksets (ANSI Metal)</b>	<b>605</b> Bright Brass
<b>501 Option 4-7/8" x 1-1/4"</b>	<b>606</b> Satin Brass
<b>For Cylindrical Locksets (Aluminum)</b>	<b>612</b> Satin Bronze
<b>501A Option 4-7/8" x 1-1/4"</b>	<b>613E</b> Dark Oxidized Satin Bronze Powder
<b>502 Option 7-15/16" x 1-7/16"</b>	<b>629</b> Bright Stainless Steel
<b>503 Option 6-7/8" x 1-1/4"</b>	<b>630</b> Satin Stainless Steel
<b>For Cylindrical Locksets (Wood)</b>	<b>BSP</b> Black Suede Powder
<b>504 Option 10" x 1-3/8"</b>	

NOTE: Electric strike compatibility is determined at time of electric strike product release. ASSA ABLOY is not responsible for incompatibility of products that have changed in design or craftsmanship by their respective manufacturers. When compatibility is a concern, contact Customer Support for application assistance.

# 5300 Electric Strike

Works with cylindrical locksets  
up to a 5/8" throw latchbolt



Also available in  
a Complete One  
Box Solution

## The Grade 1, fire-rated, solution for cylindrical locksets.

The 5300 Series Electric Strike is a compact, fire-rated, high performance electric strike designed for openings where up to a 3-hour fire rating is required and there may be limited space behind the jamb. Its strength is derived from a unique keeper pin locking design, enabling the 5300 to exceed the ratings of the frame, door and locking hardware. This field selectable fail safe\*/fail secure unit is easy to install and accommodates latchbolts up to 5/8" throw.

\*NOTE: Fail safe negates the fire rating of the product.

## Features

### Standard Features

- Tamper resistant
- Static strength 1,500 lbs
- Dynamic strength 70 ft-lbs
- Endurance 1 million cycles
- Field selectable fail safe/fail secure
- Non-handed
- Internally mounted solenoid
- Accommodates 1/2" – 5/8" [12.7mm – 15.9mm] latchbolt (5/8" [15.9mm] with 1/8" [3.2mm] door gap)
- Strike body depth 1-1/16" [27.3mm]
- Plug-in connector
- Trim enhancer included
- SecuriCare five-year, no-fault, no questions asked warranty (Addition of SMART Pac® III extends the warranty to 10 years)

### Optional Features

- **LBM** Latchbolt monitor

### Accessories

- **150** Strike latch guard
- **HESCUT-MTK** Metal template kit
- **2001M** Plug-in bridge rectifier
- **2004M** ElectroLynx® adapter
- **2005M3** SMART Pac® III
- **2006M** Plug-in buzzer
- **5104-1/2** 1/2" [12.7mm] stackable lip extension
- **5104-1** 1" [25.4mm] stackable lip extension
- **5104-1-1/4** 1-1/4" [32mm] stackable lip extension



Grade 1



SecuriCare  
Warranty



Cylindrical  
Locksets



Field Selectable  
(Fail secure  
/Fail safe)



Dual Voltage  
12/24



PoE  
Friendly



Outdoor  
Rated



Burglary  
Rated



Fire Rated

h.e.s.

ASSA ABLOY



## Specifications

### Certifications

- ANSI/BHMA A156.31, Grade 1
- UL 1034 burglary-resistant listed and suitable for outdoor use
- UL 294 listed
- RoHS compliant
- UL 10C fire rated, 3-hour single door (fail secure only)
- CAN/ULC-S104 fire door conformant
- NFPA-252 fire door compliant
- ASTM-E152 fire door compliant

### Frame Application

- Metal
- Wood

### Electrical (DC Continuous Duty)

- Dual voltage 12/24 VDC/VAC
- 240 mA at 12 VDC/120 mA at 24 VDC
- PoE friendly

## Dimensions

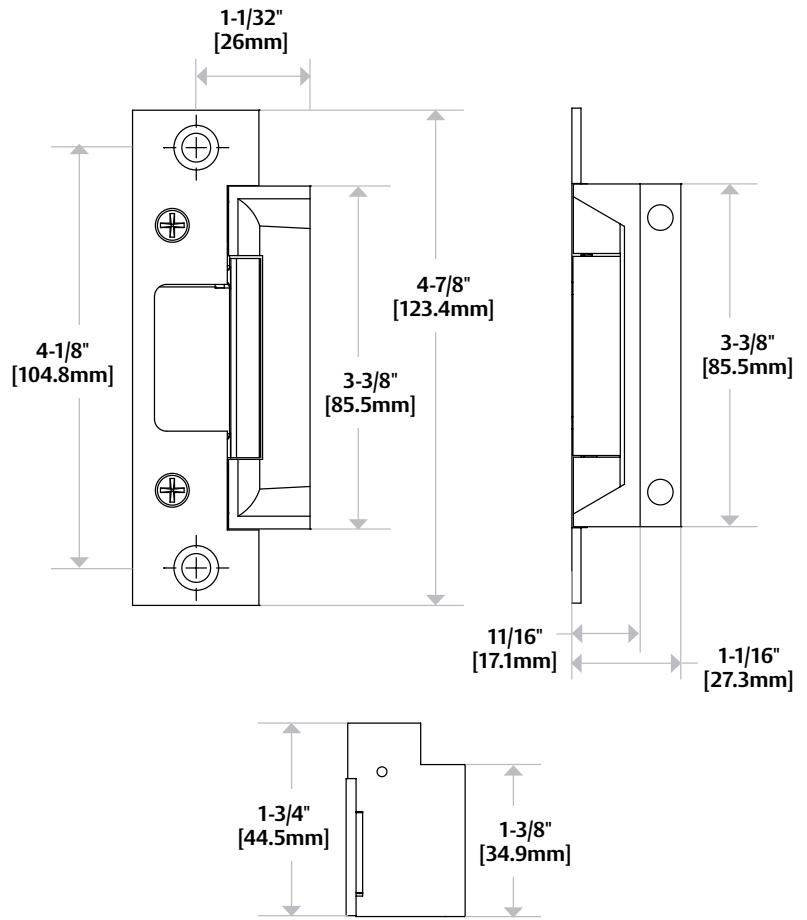


Diagram shown with 501 Option

## How to Order Specify quantity and the following information. Order related products separately















SERIES	MODEL	FINISH	OPTION (S)
<b>5300</b>	<b>C</b>	<b>- 630</b>	<b>- LBM</b>
5300 Universal Electric Strike; faceplate option kits ordered separately	C* Complete Electric Strike; includes the 501 and 501A faceplates <b>(Blank)</b> Strike Body Only	630 Satin Stainless Steel	LBM Latchbolt Monitor

\*Complete Pacs are only available in the 630 finish.

FACEPLATE OPTIONS	FINISH
<b>502</b>	<b>- 613E</b>
For Cylindrical Locksets (ANSI Metal)	605 Bright Brass
501 Option 4-7/8" x 1-1/4"	606 Satin Brass
For Cylindrical Locksets (Aluminum)	612 Satin Bronze
501A Option 4-7/8" x 1-1/4"	613E Dark Oxidized Satin Bronze Powder
502 Option 7-15/16" x 1-7/16"	629 Bright Stainless Steel
503 Option 6-7/8" x 1-1/4"	630 Satin Stainless Steel
For Cylindrical Locksets (Wood)	630 Satin Stainless Steel
504 Option 10" x 1-3/8"	BSP Black Suede Powder

NOTE: Electric strike compatibility is determined at time of electric strike product release. ASSA ABLOY is not responsible for incompatibility of products that have changed in design or craftsmanship by their respective manufacturers. When compatibility is a concern, contact Customer Support for application assistance.

# 5000/5200/5300 Series Faceplate Options

<p><b>OPERATION</b></p>		<p>After releasing the latchbolt, the keeper returns to the locked position.</p>
 <p><b>4-7/8" × 1-1/4"</b> [123.8mm × 31.75mm] <i>Square corners and flat faceplate</i></p>	<p><b>501 Option</b> <b>For use with:</b> Cylindrical locksets in ANSI metal jambs ANSI/BHMA Numbers: E09321, E09322, E09323</p>	
 <p><b>4-7/8" × 1-1/4"</b> [123.8mm × 31.75mm] <i>Radius corners and flat faceplate</i></p>	<p><b>501A Option</b> <b>For use with:</b> Cylindrical locksets or spring latch in aluminum frames. Includes universal mounting tabs. ANSI/BHMA Numbers: E09321, E09322, E09323</p>	 
 <p><b>7-15/16" × 1-7/16"</b> [201.6mm × 36.5mm] <i>Radius corners and flat faceplate</i></p>	<p><b>502 Option</b> <b>For use with:</b> Cylindrical locksets or spring latch in aluminum frames. Includes universal mounting tabs. ANSI/BHMA Numbers: E09321, E09322, E09323</p>	 
 <p><b>6-7/8" × 1-1/4"</b> [174.6mm × 31.75mm] <i>Radius corners and flat faceplate</i></p>	<p><b>503</b> <b>For use with:</b> Cylindrical locksets or spring latch in aluminum frames. Includes universal mounting tabs. ANSI/BHMA Numbers: E09321, E09322, E09323</p>	 
 <p><b>10" × 1-3/8"</b> [254mm × 34.9mm] <i>Radius corners and flat faceplate</i></p>	<p><b>504</b> <b>For use with:</b> Cylindrical locksets. Four-point mounting for wood installations ANSI/BHMA Numbers: E09321, E09322, E09323</p>	

"For use with" information is offered as a recommendation only. Reference should be made to the lockset manufacturer for proper installation instructions necessary to meet compatibility requirements.



## Preload

# What is Preload?

When pressure is applied to some models of electric strikes, the solenoid may not have the ability to mechanically release the keeper because the pressure binds it against the latch. Even a small amount of this preload can cause problems in the functioning of some electric strikes. Door preload can prevent the smooth unlocking of the electric strike or even disable a strike – preventing a door from being opened.

## Preload and Building Security

An electric strike failing to release when energized is not the only problem preload can cause.

If the power to the electric strike is interrupted, either by accidental or deliberate means, strong preload pressure can cause a strike in fail safe mode not to function.

If a serious preload condition is present when the strike is activated, the pressure will move the door slightly into an open position, leaving the door unlocked and the building vulnerable.

Some of the underlying problems that cause door preload, such as pressure from air conditioning, are not practically or easily corrected.

## What Causes Preload?

A number of conditions can cause door preload including:

- Stack pressure caused by HVAC systems
- Misaligned strike and lockset
- Warped wood doors; damaged or bent metal doors
- Thick door seals or heavy weatherstripping

A strike that does not open or opens only intermittently could be showing signs of a preload problem. If preload pressure causes a strike or multiple strikes to malfunction, many access and security issues may arise.

# 7000 Electric Strike

Works with cylindrical latchbolts up to 5/8" throw and rim exit devices up to a 3/4" throw

Also available in a Complete One Box Solution



## The dual, preload solution for cylindrical latchbolts and rim exit devices.

The 7000 Series Electric Strike offers two solutions to address preloaded doors. The in-frame adjustable feature allows the installer to easily adjust the electric strike opening to accommodate the horizontal position of the latchbolt after installation.

The preload release function allows the electric strike to operate smoothly throughout the year under varying loads on the door caused by air conditioning pressure, changes in the weather, warped doors or doors with weather stripping that may often bind standard electric strikes. This unit accommodates cylindrical latchbolts up to 5/8" throw and rim exit latchbolts up to 3/4" throw.

## Features

### Standard Features

- Stainless steel construction
- Tamper resistant
- Static strength 1,500 lbs (791 and 792 options)
- Dynamic strength 70 ft-lbs (791 and 792 options)
- Static strength 1,000 lbs (783S, 786S, and 789S options)
- Dynamic strength 50 ft-lbs (783S, 786S, and 789S options)
- Endurance 1 million cycles
- Field selectable fail safe/fail secure
- Accommodates preload (up to 15 lbs: fail secure only)
- Horizontal adjustment
- Non-handed
- Internally mounted solenoid
- Strike body depth 1-11/16" [42.9mm]
- Plug-in connector
- Trim enhancer (791 and 792 options)
- Pocket adapter (786S and 789S options)
- SecuriCare five-year, no-fault, no questions asked warranty (Addition of SMART Pac® III extends the warranty to 10 years)

### Optional Features

- **LBM** Latchbolt monitor

### Accessories

- **7000-SMB** Surface mounting box (783S and 789S options)
- **7000-104** Lip extension trim adapter
- **7000-105** Trim enhancer (goof plate)
- **7000-106** Keeper pocket adapter
- **7000-107** Full keeper shim pack
- **7000-108** 1/8" [3.2mm] spacer plate (783S and 789S options, black finish only)
- **7000-110** Replacement strike plate (791 and 792 option)
- **150** Strike latch guard
- **HESCUT-MTK** Metal template kit
- **2001M** Plug-in bridge rectifier
- **2004M** ElectroLynx® adapter
- **2005M3** SMART Pac® III
- **2006M** Plug-in buzzer
- **791-XXX, 792-XXX** Available in all finishes
- **783S-XXX, 786S-XXX, 789S-XXX** Available in 630, 613E



Grade 1



SecuriCare  
Warranty



Cylindrical  
Locksets



Rim Exit  
Devices



Field Selectable  
(Fail secure  
/Fail safe)



Dual Voltage  
12/24



Preload



Burglary  
Rated

hes.

ASSA ABLOY

## Specifications

### Certifications

- ANSI/BHMA A156.31, Grade 1 (791 & 792 options)
- ANSI/BHMA A156.31, Grade 2 (783S, 786S & 789S options)
- UL 1034 burglary-resistant listed
- UL 294 listed

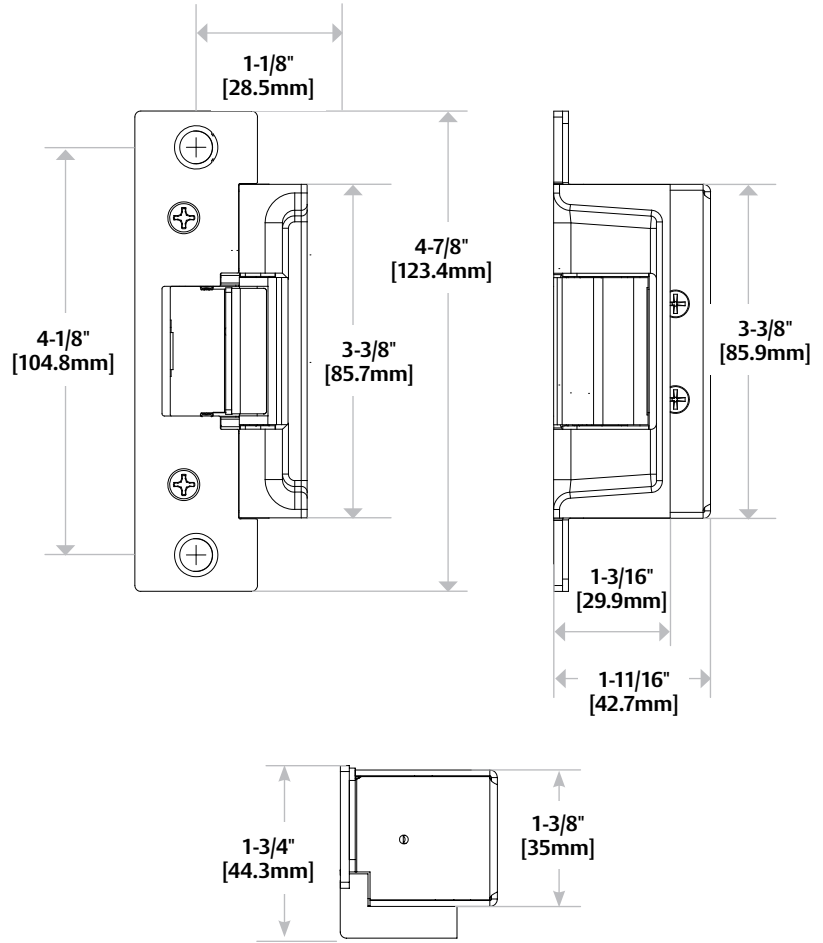
### Frame Application

- Metal
- Wood
- Aluminum

### Electrical (DC Continuous Duty)

- Dual voltage 12/24 VDC
- 450 mA at 12 VDC/250 mA at 24 VDC

## Dimensions



## How to Order Specify quantity and the following information. Order related products separately

SERIES	MODEL	FINISH	OPTION (S)
<b>7000</b>	<b>C</b>	<b>- 630</b>	<b>- LBM</b>
<b>7000</b> Universal Electric Strike; faceplate option kits ordered separately	<b>C*</b> Complete Electric Strike; includes the 791 and 792 faceplates <b>(Blank)</b> Strike Body Only	<b>630</b> Satin Stainless Steel	<b>(blank)</b> No monitor <b>LBM</b> Latchbolt Monitor

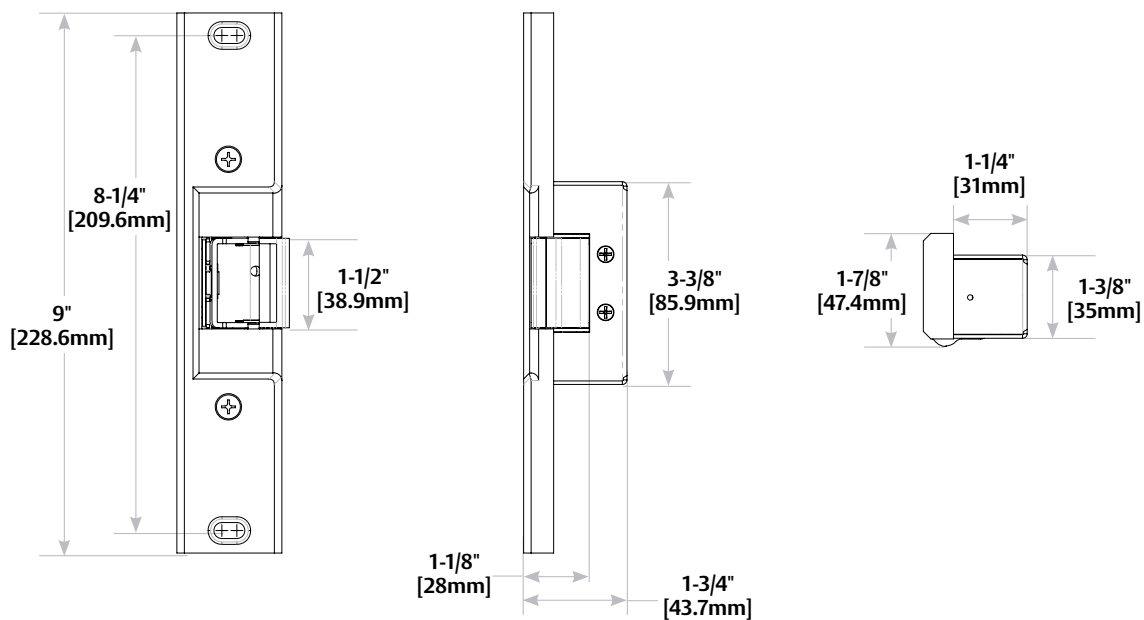
FACEPLATE OPTIONS	FINISH
<b>792</b>	<b>- 606</b>
<b>For Cylindrical Locksets</b>	<b>605</b> Bright Brass
<b>791 Option</b> 4-7/8" x 1-1/4"	<b>606</b> Satin Brass
<b>792 Option</b> 7-15/16" x 1-7/16"	<b>612</b> Satin Bronze
<b>For Rim Exit Devices</b>	<b>613E</b> Dark Oxidized Satin Bronze Powder
<b>783S Option</b> 9" x 1-3/4" x 11/16"	<b>629</b> Bright Stainless Steel
<b>786S Option</b> 6-1/2" x 1-3/4" x 1/2"	<b>630</b> Satin Stainless Steel
<b>789S Option</b> 9" x 1-3/4" x 1/2"	<b>BLK</b> Black

\*Complete Pacs are only available in the 630 finish

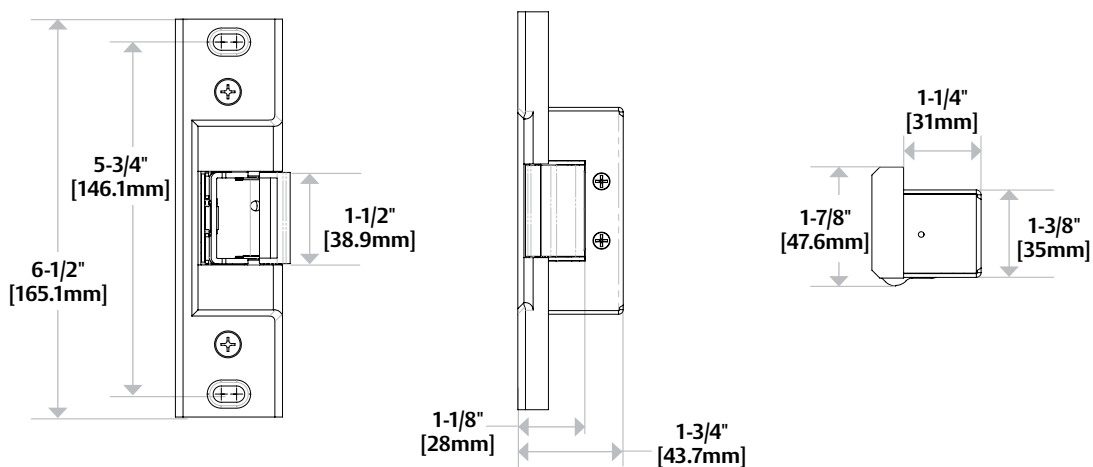
NOTE: Electric strike compatibility is determined at time of electric strike product release. ASSA ABLOY is not responsible for incompatibility of products that have changed in design or craftsmanship by their respective manufacturers. When compatibility is a concern, contact Customer Support for application assistance.

# 7000 Series Rim Exit Device Options

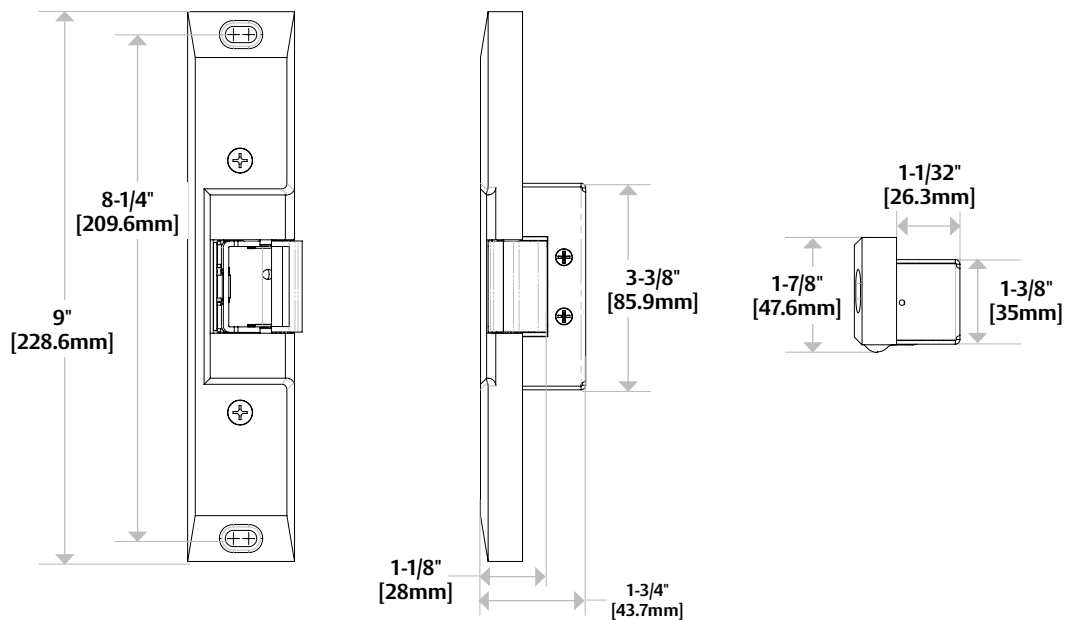
## 783S










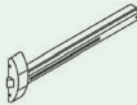

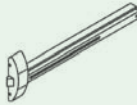

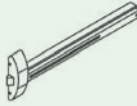
## 786S



## 789S



# 7000 Series Faceplate Options

<p><b>OPERATION</b></p>	 <p>Cylindrical Locksets</p>	<p>After releasing the latchbolt, the keeper returns to the locked position.</p>
 <p><b>4-7/8" × 1-1/4"</b> [123.8mm × 31.75mm]</p>	<p><b>791 Option</b> <b>For use with:</b> Cylindrical locksets up to 5/8" [15.9mm] throw ANSI/BHMA Numbers: E09321, E09322, E09323</p>	 <p><b>1</b> Grade 1</p>
 <p><b>7-15/16" × 1-7/16"</b> [201.6mm × 36.5mm]</p>	<p><b>792 Option</b> <b>For use with:</b> Cylindrical locksets up to 5/8" [15.9mm] throw ANSI/BHMA Numbers: E09321, E09322, E09323</p>	 <p><b>1</b> Grade 1</p>
<p><b>OPERATION</b></p>	 <p>Rim Exit Devices</p>	<p>After releasing Pullman latch, the keeper returns to the locked position.</p>
 <p><b>9" × 1-3/4" × 11/16"</b> [228.6mm × 44.5mm × 17.5mm]</p>	<p><b>783S Option</b> <b>For use with:</b> Rim exit devices in metal jambs with up to a 3/4" [19mm] Pullman latch <b>Compatible locksets:</b> American Device, Arrow, Dor-O-Matic, Monarch, Precision, Sargent, Von Duprin, ASSA ABLOY ACCENTRA™* ANSI/BHMA Numbers: E09311, E09312, E09313</p>	 <p><b>2</b> Grade 2</p>
 <p><b>6-1/2" × 1-3/4" × 1/2"</b> [165.1mm × 44.5mm × 12.7mm]</p>	<p><b>786S Option</b> <b>For use with:</b> Rim exit devices in aluminum jambs and surface mounted vertical rod exit devices with up to a 3/4" [19mm] Pullman latch. Includes keeper pocket adapter. <b>Compatible locksets:</b> American Device, Arrow, Dor-O-Matic, Jackson, Monarch, Precision, Sargent, Von Duprin, ASSA ABLOY ACCENTRA™* ANSI/BHMA Numbers: E09311, E09312, E09313</p>	 <p><b>2</b> Grade 2</p>
 <p><b>9" × 1-3/4" × 1/2"</b> [228.6mm × 44.5mm × 12.7mm]</p>	<p><b>789S Option</b> <b>For use with:</b> Rim exit devices in aluminum jambs with up to a 3/4" [19mm] Pullman latch. Includes keeper pocket adapter. <b>Compatible locksets:</b> American Device, Arrow, Dor-O-Matic, Jackson, Monarch, Precision, Sargent, Von Duprin, ASSA ABLOY ACCENTRA™* ANSI/BHMA Numbers: E09311, E09312, E09313</p>	 <p><b>2</b> Grade 2</p>

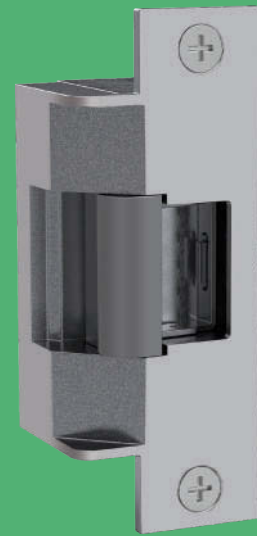
"For use with" information is offered as a recommendation only. Reference should be made to the lockset manufacturer for proper installation instructions necessary to meet compatibility requirements.

\* Formerly Yale Commercial

# 7501 Electric Strike Complete Pac

Works with cylindrical locksets  
up to a 3/4" throw latchbolt

Also available in  
a Complete One  
Box Solution



## The Grade 1, fire rated, preload solution.

The 7501 Series Electric Strike is ideal for fire rated applications with preload conditions caused by a warped or misaligned door, weather stripping, a smoke seal or any other condition that could cause door bind. The heavy duty stainless steel construction provides the strength and durability required to accommodate fire rated latchbolts up to 3/4" throw.

## Features

### Standard Features

- Stainless steel construction
- Tamper resistant
- Static strength 1,500 lbs
- Dynamic strength 70 ft-lbs
- Endurance 1 million cycles
- Field selectable fail safe/fail secure
- Accommodates preload (up to 15lbs: fail secure only)
- Non-handed
- Internally mounted solenoid
- Strike body depth 1-11/16" [42.86mm]
- Plug-in connector
- Trim enhancer
- SecuriCare five-year, no-fault, no questions asked warranty (Addition of SMART Pac® III extends the warranty to 10 years)

### Optional Features

- **LBM** Latchbolt monitor

### Accessories

- **2001M** Plug-in bridge rectifier
- **2004M** ElectroLynx® adapter
- **2005M3** SMART Pac® III
- **2006M** Plug-in buzzer
- **150** Strike latch guard
- **HESCUT-MTK** Metal Template Kit



Grade 1



SecuriCare  
Warranty



Cylindrical  
Locksets



Field Selectable  
(Fail secure  
/Fail safe)



Dual Voltage  
12/24



Fire Rated



Preload



Burglary  
Rated

hes.

ASSA ABLOY



## Specifications

### Certifications

- ANSI/BHMA A156.31, Grade 1
- UL 1034 burglary-resistant listed
- UL 10C fire rated, 3-hour (fail secure only)
- CAN/ULC-S104 fire door conformant
- NFPA-252 fire door compliant
- ASTM-E152 fire door compliant
- UL 294 listed

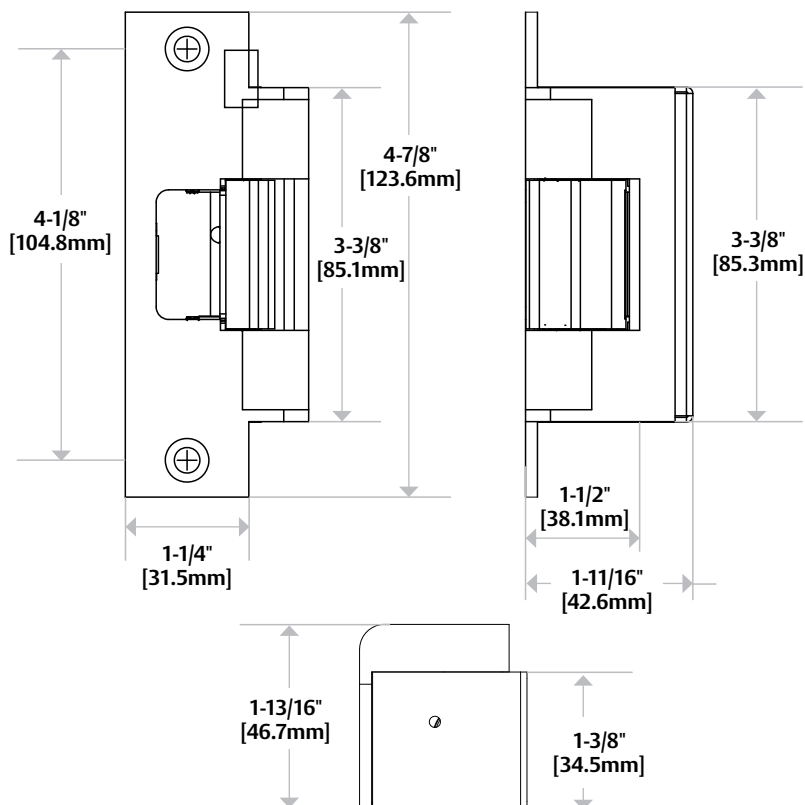
### Frame Application




- Metal

### Electrical (DC Continuous Duty)

- Dual voltage 12/24 VDC
- 450 mA at 12 VDC/250 mA at 24 VDC

## Dimensions



<p><b>OPERATION</b></p>	 <p>Cylindrical Locksets</p>	<p>After releasing the latchbolt, the keeper returns to the locked position.</p>
 <p>4-7/8" x 1-1/4" x 1-11/16" [123.8mm x 31.75mm x 42.9mm]</p>	<p><b>7501</b></p> <p><b>For use with:</b> Cylindrical locksets up to a 3/4" [19mm] throw</p> <p>ANSI/BHMA Numbers: E09321, E09322, E09323</p>	

## How to Order

SERIES	FINISH	OPTION (S)
<b>7501</b>	<b>- 630</b>	<b>- LBM</b>
7501 Universal Electric Strike; includes faceplate for cylindrical locksets	605 Bright Brass 606 Satin Brass 612 Satin Bronze 613 Bronze Toned 629 Bright Stainless Steel 630 Satin Stainless Steel	(blank) No Monitor LBM Latchbolt Monitor

NOTE: Electric strike compatibility is determined at time of electric strike product release. ASSA ABLOY is not responsible for incompatibility of products that have changed in design or craftsmanship by their respective manufacturers. When compatibility is a concern, contact Customer Support for application assistance.

# 8000 Electric Strike

Works with cylindrical locksets and accommodates latchbolts up to 5/8" throw



Also available in a Complete One Box Solution

## The concealed electric strike solution for cylindrical locksets.

The 8000 Series Electrical Strike is a compact, high performance electric strike featuring a unique concealed design for use with cylindrical locksets. No cutting on the frame is required. Simply remove the existing strike plate, adjust the vertical alignment feature to the latchbolt centerline and install. Its strength is derived from a unique keeper pin locking design, enabling the 8000 to exceed the ratings of the frame, door and locking hardware. This field selectable fail safe/fail secure unit is easy to install and accommodates latchbolts up to 5/8" throw.

## Features

### Standard Features

- No cutting on frame required
- Vertical adjustability to accommodate door sag and misalignment
- Tamper resistant
- Static strength 1,500 lbs
- Dynamic strength 70 ft-lbs
- Endurance 1 million cycles
- Field selectable fail safe/fail secure
- Non-handed
- Internally mounted solenoid
- Accommodates 1/2" – 5/8" [12.7mm – 15.9mm] cylindrical latchbolt (5/8" [15.9mm] with 1/8" [3.175mm] door gap)
- Strike body depth 1-1/16" [27.3mm]
- Strike body width 1-7/16" [36.5mm]
- Plug-in Connector
- SecuriCare five-year, no-fault, no questions asked warranty (Addition of SMART Pac® III extends the warranty to 10 years)

### Optional Features

- **LBM** Latchbolt monitor

### Accessories

- **2001M** Plug-in bridge rectifier
- **2004M** ElectroLynx® adapter
- **2005M3** SMART Pac® III
- **2006M** Plug-in buzzer



Grade 1



SecuriCare  
Warranty



Cylindrical  
Locksets



Field Selectable  
(Fail secure  
/Fail safe)



Dual Voltage  
12/24



PoE  
Friendly



Outdoor  
Rated



Burglary  
Rated

hes.

ASSA ABLOY

## Specifications

### Certifications

- ANSI/BHMA A156.31, Grade 1
- UL 1034 burglary-resistant listed and suitable for outdoor use
- UL 294 listed
- RoHS compliant

### Frame Application

- Metal
- Wood
- Aluminum

### Electrical (DC Continuous Duty)

- Dual voltage 12/24 VDC/VAC
- 240 mA at 12 VDC/120 mA at 24 VDC
- PoE friendly

## Dimensions

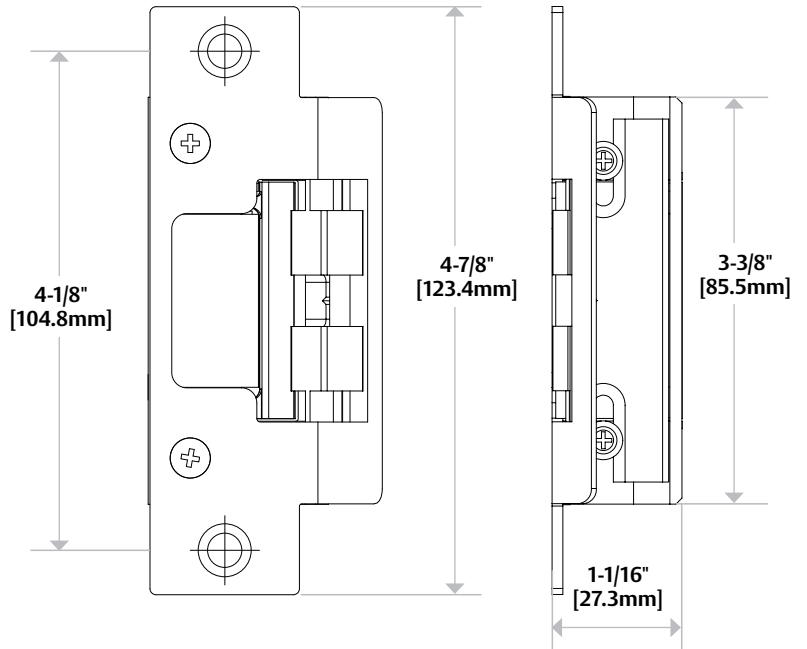


Diagram shown with 801 Option

## How to Order Specify quantity and the following information. Order related products separately

SERIES	MODEL	FINISH*	OPTION (S)
<b>8000</b>	<b>C</b>	<b>- 630</b>	<b>- LBM</b>
<b>8000</b> Universal Electric Strike; faceplate option kits ordered separately	<b>C*</b> Complete Electric Strike; includes the 801 and 801A faceplates <b>(blank)</b> Strike Body Only	<b>630</b> Satin Stainless Steel	<b>(Blank)</b> No monitor <b>LBM</b> Latchbolt Monitor

\*Complete Pacs are only available in the 630 finish

FACEPLATE OPTIONS	FINISH
<b>801</b>	<b>- 613E</b>
<b>For Cylindrical Locksets (ANSI Metal)</b>	<b>605</b> Bright Brass
<b>801 Option 4-7/8" x 1-1/4"</b>	<b>606</b> Satin Brass
<b>For Cylindrical Locksets (Aluminum)</b>	<b>612</b> Satin Bronze
<b>801A Option 4-7/8" x 1-1/4"</b>	<b>613</b> Bronze Toned
<b>802 Option 7-15/16" x 1-7/16"</b>	<b>629</b> Bright Stainless Steel
<b>803 Option 6-7/8" x 1-1/4"</b>	<b>630</b> Satin Stainless Steel
<b>For Cylindrical Locksets (Wood)</b>	
<b>804 Option 10" x 1-3/8"</b>	<b>BLK</b> Black

NOTE: Electric strike compatibility is determined at time of electric strike product release. ASSA ABLOY is not responsible for incompatibility of products that have changed in design or craftsmanship by their respective manufacturers. When compatibility is a concern, contact Customer Support for application assistance.

# 8300 Electric Strike

Works with cylindrical locksets and accommodates latchbolts up to 5/8" throw

Also available in a Complete One Box Solution



## The fire rated, concealed solution for cylindrical locksets.

The 8300 Series Electric Strike is a fire rated, compact, high performance electric strike featuring a unique concealed design for use with cylindrical locksets. No cutting on the frame is required. Simply remove the existing ANSI strike plate, adjust the vertical alignment feature to the latchbolt centerline and install. Its strength is derived from a unique keeper pin locking design, enabling the 8300 to exceed the ratings of the frame, door and locking hardware. This unique electric strike is easy to install and complies with NFPA 80-07 guidelines for retrofit into fire rated frames. The 8300 accommodates latchbolts up to 5/8" throw.

## Features

### Standard Features

- Complies with the guidelines for retrofit into fire rated frames
- No cutting on frame required for 4-7/8" ANSI prep
- Vertical adjustability to accommodate door sag and misalignment
- Tamper resistant
- Static strength 1,500 lbs
- Dynamic strength 70 ft-lbs
- Endurance 1 million cycles
- Field selectable fail safe/fail secure
- Non-handed
- Accommodates 1/2" – 5/8" [12.7mm – 15.9mm] cylindrical latchbolt (5/8" [15.9mm] with 1/8" [3.175] door gap)
- Strike body depth 1-1/16" [27.3mm]
- Plug-in connector
- SecuriCare five-year, no-fault, no questions asked warranty (Addition of SMART Pac® III extends the warranty to 10 years)

### Optional Features

- **LBM** Latchbolt monitor

### Accessories

- **2001M** Plug-in bridge rectifier
- **2004M** ElectroLynx® adapter
- **2005M3** SMART Pac® III
- **2006M** Plug-in buzzer



Grade 1



SecuriCare  
Warranty



Cylindrical  
Locksets



Field Selectable  
(Fail secure  
/Fail safe)



Dual Voltage  
12/24



PoE  
Friendly



Fire Rated



Outdoor  
Rated



Burglary  
Rated

hes.

ASSA ABLOY

## Specifications

### Certifications

- ANSI/BHMA A156.31, Grade 1
- UL 1034 burglary-resistant listed and suitable for outdoor use
- UL 294 listed
- RoHS compliant
- UL 10C fire rated, 3-hour single door (fail secure only)
- CAN/ULC-S104 fire door conformant
- NFPA-252 fire door compliant
- ASTM-E152 fire door compliant
- NFPA 80-07 compliant

### Frame Application

- Metal
- Wood
- Aluminum

### Electrical (DC Continuous Duty)

- Dual voltage 12/24 VDC/VAC
- 240 mA at 12 VDC/120 mA at 24 VDC
- PoE friendly

## Dimensions

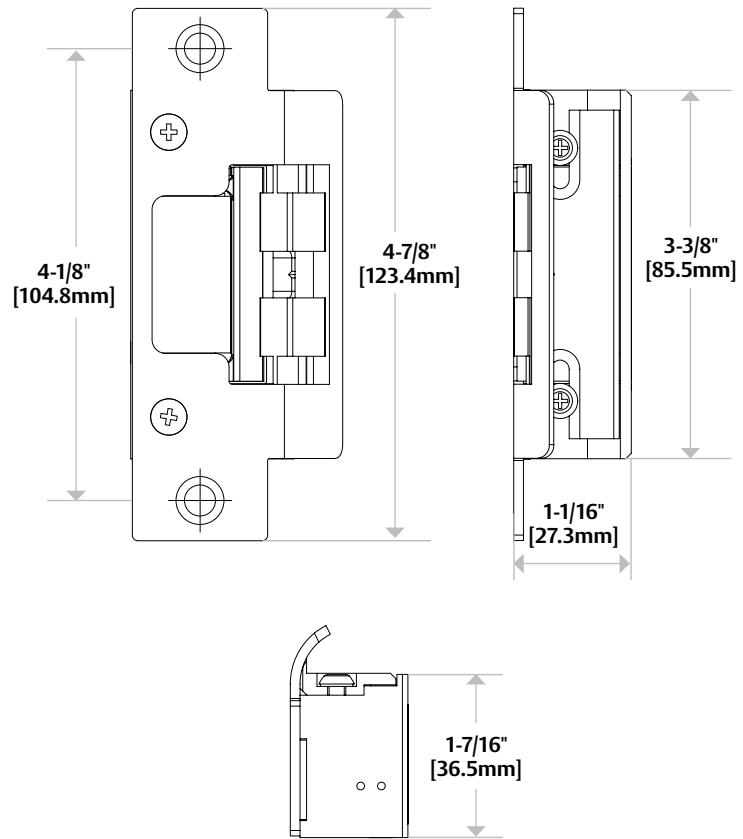


Diagram shown with 801 Option

## How to Order














SERIES	MODEL	FINISH	OPTION (S)
<b>8300</b>	<b>C</b>	<b>- 630</b>	<b>- LBM</b>
<b>8300</b> Universal Electric Strike; faceplate option kits ordered separately	<b>C*</b> Complete Electric Strike; includes the 801 and 801A faceplates <b>(blank)</b> Strike Body Only	<b>630</b> Satin Stainless Steel	<b>(Blank)</b> No monitor <b>LBM</b> Latchbolt Monitor

\*Complete Pacs are only available in the 630 finish

FACEPLATE OPTIONS	FINISH
<b>801</b>	<b>- 613E</b>
<b>For Cylindrical Locksets (ANSI Metal)</b>	<b>605</b> Bright Brass
<b>801 Option</b> 4-7/8" x 1-1/4"	<b>606</b> Satin Brass
<b>For Cylindrical Locksets (Aluminum)</b>	<b>612</b> Satin Bronze
<b>801A Option</b> 4-7/8" x 1-1/4"	<b>613</b> Bronze Toned
<b>802 Option</b> 7-15/16" x 1-7/16"	<b>629</b> Bright Stainless Steel
<b>803 Option</b> 6-7/8" x 1-1/4"	<b>630</b> Satin Stainless Steel
<b>For Cylindrical Locksets (Wood)</b>	
<b>804 Option</b> 10" x 1-3/8"	<b>BLK</b> Black

NOTE: Electric strike compatibility is determined at time of electric strike product release. ASSA ABLOY is not responsible for incompatibility of products that have changed in design or craftsmanship by their respective manufacturers. When compatibility is a concern, contact Customer Support for application assistance.

# 8000/8300 Series Faceplate Options

OPERATION	 <p>After releasing the latchbolt, the keeper returns to the locked position.</p>	
 <p><b>4-7/8" × 1-1/4"</b> [123.8mm x 31.75mm] Square corners</p>	<p><b>801 Option</b></p> <p><b>For use with:</b> Cylindrical locksets in ANSI metal jambs, with latchbolts up to 5/8" [15.9mm] throw.</p> <p>ANSI/BHMA Numbers: E05031, E09321, E09322, E09323</p>	
 <p><b>4-7/8" × 1-1/4"</b> [123.8mm x 31.75mm] Radius corners and flat faceplate</p>	<p><b>801A Option</b></p> <p><b>For use with:</b> Cylindrical locksets with latchbolts up to 5/8" [15.9mm] throw. Includes universal mounting tabs. Aluminum frames.</p> <p>ANSI/BHMA Numbers: E05031, E09321, E09322, E09323</p>	
 <p><b>4-7/8" × 1-1/4"</b> [123.8mm x 31.75mm] 1/4" extended lip</p>	<p><b>801E Option</b></p> <p><b>For use with:</b> Extended lip for 'knock-down' style frame installations. For use with cylindrical latchbolts up to 5/8" [15.9mm] throw.</p> <p>ANSI/BHMA Numbers: E05031, E09321, E09322, E09323</p>	
 <p><b>7-15/16" × 1-7/16"</b> [201.6mm x 36.5mm]</p>	<p><b>802 Option</b></p> <p><b>For use with:</b> Cylindrical locksets with latchbolts up to 5/8" [15.9mm] throw. Includes universal mounting tabs. Aluminum frames.</p> <p>ANSI/BHMA Numbers: E05031, #E09321, E09322, E09323</p>	
 <p><b>6-7/8" × 1-1/4"</b> Radius corners and flat faceplate</p>	<p><b>803 Option</b></p> <p><b>For use with:</b> Cylindrical locksets with latchbolts up to 5/8" [15.9mm] throw. Includes universal mounting tabs. Aluminum frames.</p> <p>ANSI/BHMA Numbers: E05031, E09321, E09322, E09323</p>	
 <p><b>9" × 1-3/8"</b> [123.8mm x 34.9mm] Radius corners and flat faceplate</p>	<p><b>805 Option</b></p> <p><b>For use with:</b> Cylindrical locksets. Latchbolts up to 5/8" [15.9mm] throw. Four point mounting for wood installations.</p> <p>ANSI/BHMA Numbers: #E05031, #E09321, #E09322, #E09323</p>	

"For use with" information is offered as a recommendation only. Reference should be made to the lockset manufacturer for proper installation instructions necessary to meet compatibility requirements.

# Reduce your install time by evaluating your opening

The 8000/8300 Electric Strikes can be adjusted to compensate for frame and door irregularities. Sometimes, adjusting the frame and door back to industry standards is not an option. Here are some tips to quickly compensate for frame twist and determine the condition of the latchbolt.

## Measure Frame Twist

One way to measure frame twist is to place a carpenter square on the stop and the face of the door. If the angle is less than 90 degrees, the 45 degree ramp angle of the 8000/8300 is steepened and may need to be corrected as shown (*Figure 1*).

We recommend you check the condition of the latchbolt prior to installing the 8000/8300. Poorly constructed, worn out or damaged latchbolts may not slide along a ramp at any angle. To check the condition of your latchbolt, we recommend applying a slight force to the tip of the latchbolt (about 45 degrees to the door face). Make sure the latchbolt can be pushed up into the door.

## Compensate for Frame Twist

When a frame is twisted, the relationship between the face of a closed door and of the inside face of the frame (i.e., rabbet) may not meet the 90 degree industry standard. Untrue frames and doors impact latchbolt wear and the force required to exit, so we recommend you ensure that the angle is between 90–95 degrees.

If manipulating the frame is not possible, we recommend placing several shims included under the top and bottom (stop side) of the faceplate (*Figure 2*). This effectively increases the 8000/8300 ramp angle and compensates for frame twist. You can also compensate for frame twist by placing shims under the top and bottom (bevel side) of the latchbolt (*Figure 3*).

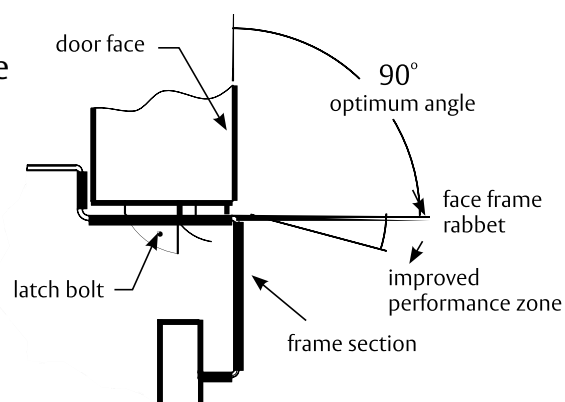


Figure 1

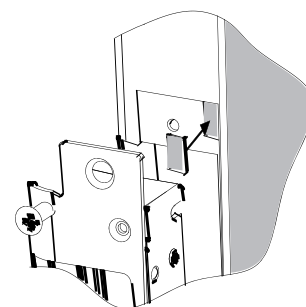


Figure 2

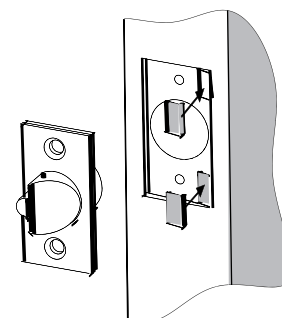


Figure 3

# 8500 Electric Strike

Works with mortise locksets  
without a deadbolt up to  
a 3/4" throw latchbolt



Also available in  
a Complete One  
Box Solution

## The fire rated, concealed electric strike solution for mortise locksets.

The 8500 Series Electric Strike is a fire rated, compact, high performance electric strike featuring a unique concealed design for use with mortise locksets without a deadbolt. Designed for fast, convenient installation, the 8500 installs with little or no modification to the frame. Simply remove the existing strike plate, remove the dust box, and install. Its strength is derived from a unique keeper pin locking design, enabling the 8500 to exceed Grade 1 ratings. This unique electric strike complies with NFPA 80-07 guidelines for retrofit into fire rated frames. The 8500 accommodates mortise latchbolts up to 3/4" throw.

## Features

### Standard Features

- No cutting to the face of the frame
- Stainless steel construction
- Tamper resistant
- Static strength 1,500 lbs
- Dynamic strength 70 ft-lbs
- Endurance 1 million cycles
- Field selectable fail safe/fail secure
- Non-handed
- Metal frame
- Internally mounted solenoid
- Accommodates 3/4" [19mm] mortise latchbolts
- Strike body depth 1-5/16" [33.3mm]
- Plug-in connector
- Full pocket shims for horizontal adjustment
- SecuriCare five-year, no-fault, no questions asked warranty (Addition of SMART Pac® III extends the warranty to 10 years)

### Optional Features

- **LBM** Latchbolt monitor
- **LBSM** Latchbolt strike monitor
- 4 faceplate option kits to work with most mortise locksets (sold separately)

### Accessories

- **2001M** Plug-in bridge rectifier
- **2004M** ElectroLynx® adapter
- **2005M3** SMART Pac® III
- **2006M** Plug-in buzzer
- **150** Strike latch guard



Grade 1



SecuriCare  
Warranty



Mortise Locks  
without  
Deadbolt



Field Selectable  
(Fail secure  
/Fail safe)



Dual Voltage  
12/24



PoE  
Friendly



Fire Rated



Outdoor  
Rated



Burglary  
Rated

hes.

ASSA ABLOY



## Specifications

### Certifications

- ANSI/BHMA A156.31, Grade 1
- UL 1034 burglary-resistant listed and suitable for outdoor use
- UL 294 listed
- RoHS compliant
- UL 10C fire rated, 3-hour single door (fail secure only)
- CAN/ULC-S104 fire door conformant
- NFPA-252 fire door compliant
- ASTM-E152 fire door compliant
- NFPA 80-07 compliant

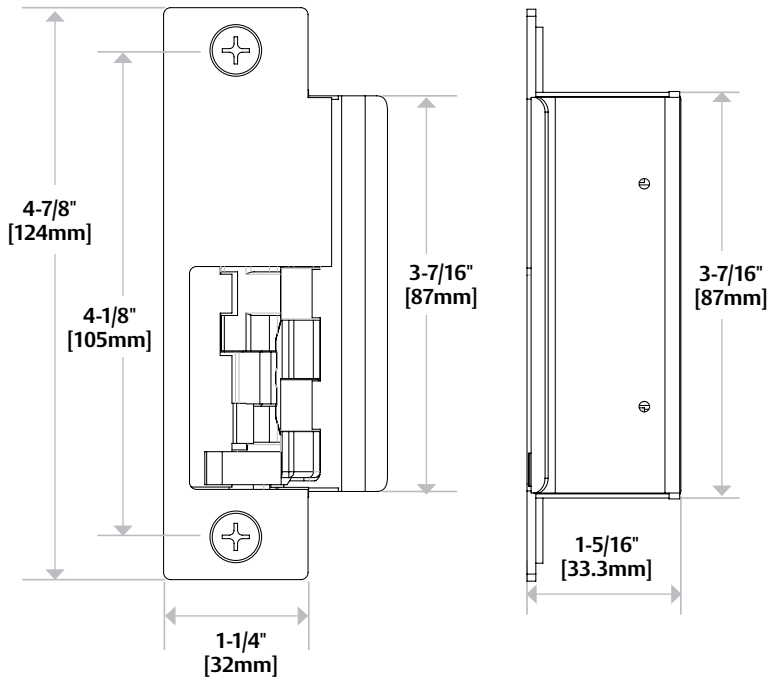
### Frame Application

- Metal

### Electrical (DC Continuous Duty)

- Dual voltage 12/24 VDC/VAC
- 240 mA at 12 VDC/120 mA at 24 VDC
- PoE friendly

## Dimensions



Removal of the dustbox required for use with ANSI/BHMA A156.115 prep


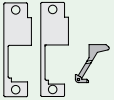

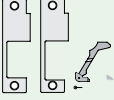


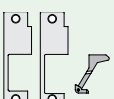

## How to Order

SERIES	FINISH	OPTION (S)
<b>8500</b>	<b>- 630</b>	<b>- LBM</b>
<b>8500</b> Universal Electric Strike; faceplates ordered separately	<b>605</b> Bright Brass <b>606</b> Satin Brass <b>612</b> Satin Bronze <b>613</b> Bronze Toned <b>629</b> Bright Stainless Steel <b>630</b> Satin Stainless Steel	<b>(blank)</b> No Monitor <b>LBM</b> Latchbolt Monitor <b>LBSM</b> Latchbolt Strike Monitor

NOTE: Electric strike compatibility is determined at time of electric strike product release. ASSA ABLOY is not responsible for incompatibility of products that have changed in design or craftsmanship by their respective manufacturers. When compatibility is a concern, contact Customer Support for application assistance.

# 8500 Series Faceplate Option Kits

The 8500 faceplate option kits combine two different faceplate pocket styles with three different deadlatch platform profiles for compatibility with a wide variety of mortise locksets. 8500 faceplate option kits are lock specific. There are two faceplates included in each kit: a standard faceplate and a faceplate with a wider pocket to address less-than-ideal sagging door conditions.

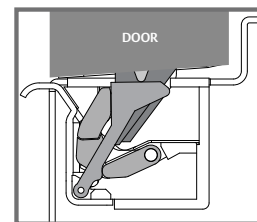
<b>OPERATION</b>	 Mortise Locks without Deadbolt	After release, the keeper returns to the locked position.
 <b>4-7/8" × 1-1/4"</b> <b>[123.8mm x 31.75mm]</b>	<b>851M Option</b> <b>For use with:</b> Mortise locksets <b>Compatible locksets:</b> Sargent 8100, 8200, 9200 <i>ANSI/BHMA Numbers: E05031, E09321, E09322, E09323</i>	
 <b>4-7/8" × 1-1/4"</b> <b>[123.8mm x 31.75mm]</b>	<b>852K Option</b> <b>For use with:</b> Mortise locksets <b>Compatible locksets:</b> Corbin Russwin ML 2000 <i>ANSI/BHMA Numbers: E05031, E09321, E09322, E09323</i>	
 <b>4-7/8" × 1-1/4"</b> <b>[123.8mm x 31.75mm]</b>	<b>852L Option</b> <b>For use with:</b> Mortise locksets <b>Compatible locksets:</b> Schlage L9000 <i>ANSI/BHMA Numbers: E05031, E09321, E09322, E09323</i>	
 <b>4-7/8" × 1-1/4"</b> <b>[123.8mm x 31.75mm]</b>	<b>852M Option</b> <b>For use with:</b> Mortise locksets <b>Compatible locksets:</b> ASSA ABLOY ACCENTRA™* 8700 (manufactured after 2005) & 8800, Accurate, Falcon, Kaba Ilco/Unican <i>ANSI/BHMA Numbers: E05031, E09321, E09322, E09323</i>	

\* Formerly Yale Commercial

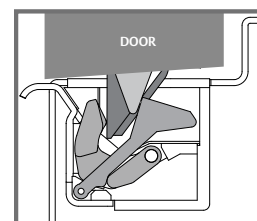
## Get to Know the 8500

The 8500 concealed electric strike for mortise locksets builds on the tradition of ground-breaking design you've come to know in the 8000 Series concealed electric strike family. It has a unique design unlike any electric strike on the market today. It's important to understand the extraordinary design of the 8500 so that you can correctly install and operate it.

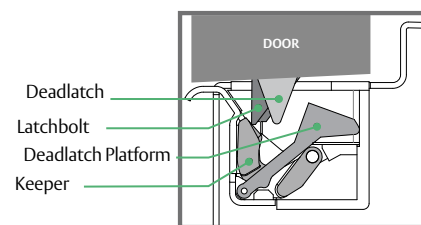
When the door is closed, the mortise latchbolt is held secure by the 8500 keeper. A 'deadlatch platform' insert holds the deadlatch in its locked state. Place the deadlatch platform into one of three locations in the strike as appropriate for the type of mortise lockset.



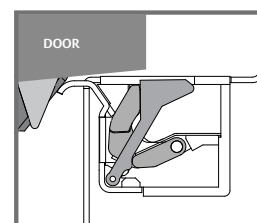
When the electric strike is energized, the keeper begins to rotate and the deadlatch platform falls away, allowing the deadlatch to drop and the latchbolt to become locked.



As the door moves forward, the latchbolt slides first along the keeper and then up the internal ramp.

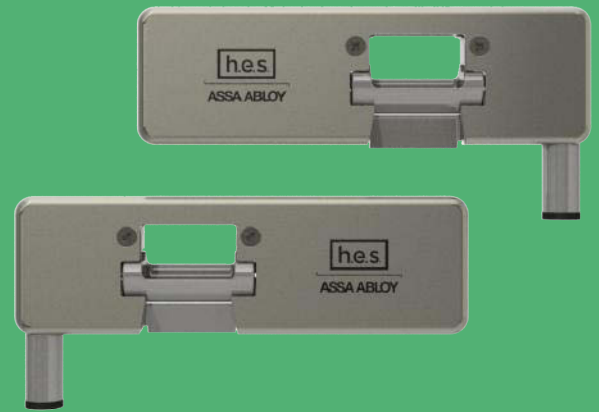


As the door continues along its arc away from the frame, the latchbolt and deadlatch exit the 8500, which quickly returns to its locked state.



# 9100 Surface Mounted Electric Strike

*Works with tubular, vertical rod exit devices on single doors*



The low-profile, retro-mounted solution for glass openings.

The innovative 9100 electric strike sets a new industry standard for glass openings with tubular, vertical rod exit devices. The low-profile 9100 offers simplified retro-mounted installation within the existing mechanical prep to provide fast and easy installation without the need to cut the frame. Integrated adjustability provides optimal latch positioning to accommodate demanding installations. The 9100 has adaptable voltage sensing technology which allows the product to function in ranges from 12 through 24 volts with no required wiring selection. Available with field selectable fail safe/fail secure functionality and monitoring options for maximized versatility.

The 9100 exceeds Grade 1 standards and is designed with the strength and durability to meet UL outdoor rating requirements.

## Features

### Standard Features

- Retro-mount using existing header prep
- No cutting required
- Integrated adjustability
- Adaptable voltage sensing technology (12-24 VDC)
- Factory configured or field installable monitoring
- Static strength 1,500 lbs
- Dynamic strength to 70 ft-lbs
- Endurance 1 million cycles
- Field selectable fail secure/fail safe
- Quiet operation
- Stainless steel construction
- SecuriCare five-year, no-fault, no questions asked warranty

### Optional Features

- **L** Left Handed or **R** Right Handed options
- **LM** Latchbolt monitor
- **LMS** Latchbolt strike monitor
- Available in 7 finishes

### Accessories

- **OPT-9LM** Single Monitoring Kit
- **RK-ESK1** Retrofit Kit for Single Doors
- **UHB** Securitron Universal Header Bracket
- **HEB** Securitron Header Extension Bracket



Grade 1



SecuriCare  
Warranty



Tubular  
Exit Device



Field Selectable  
(Fail secure  
/Fail safe)



Dual Voltage  
12/24



PoE  
Friendly



Outdoor  
Rated



Burglary  
Rated

hes.

ASSA ABLOY

## Specifications

### Certifications

- ANSI/BHMA A156.31 Grade 1
- UL 1034 Burglary-Resistant Listed; Suitable for Outdoor Use
- UL 294 Listed
- UL 305 Listed
- RoHS compliant

### Frame Application

- Aluminum
- Hollow Metal
- Wood (additional mounting hardware required)

### Electrical (DC Continuous Duty)

- Operating Voltage (12-24 VDC/VAC)
- 240 mA at 12 VDC, 120 mA at 24 VDC

## Compatible Latches



Roller Latch

- CRL PA Series
- FHC HP Series
- PRL PL Series

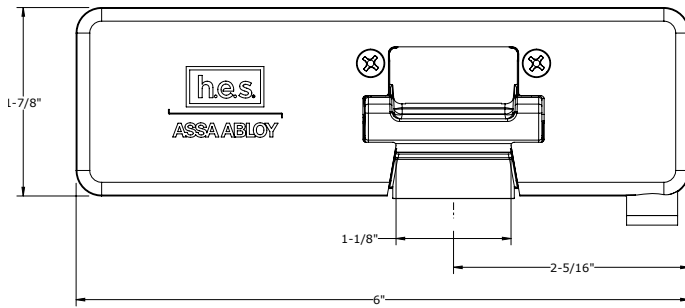


Security Latch

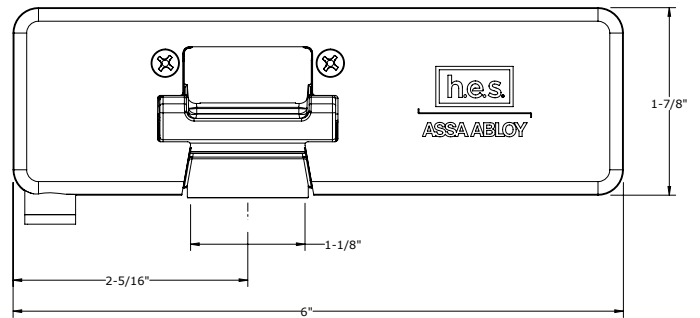
- Rockwood PDU Series



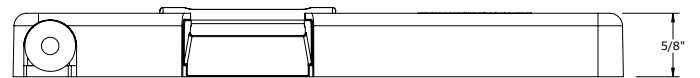
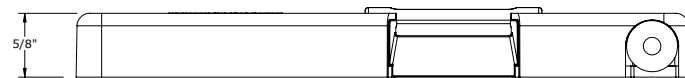
## Dimensions



Left Handed or RHR



Right Handed or LHR

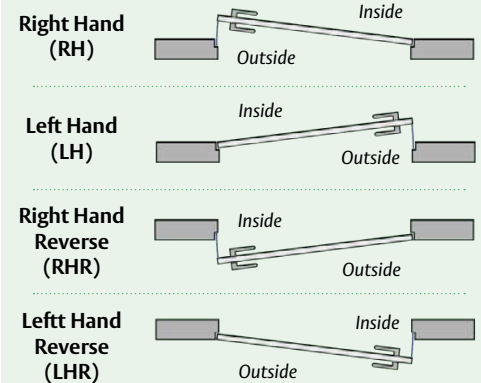


## How to Order

SERIES	HANDING	FINISH	OPTION (S)
<b>9100</b>	<b>L</b>	<b>- 630</b>	
<b>9100</b> Electric Strike for tubular, vertical rod exit devices for single doors	<b>L</b> Left Hand/Right Hand Reverse*	<b>605</b> Bright Brass	<b>(blank)</b> No Monitoring
	<b>R</b> Right Hand/Left Hand Reverse*	<b>606</b> Satin Brass	<b>LM</b> Latchbolt Monitoring
		<b>612</b> Satin Bronze	<b>LMS</b> Latchbolt and Strike Monitoring
		<b>613E</b> Dark Oxidized Satin Bronze Powder	
		<b>629</b> Bright Stainless Steel	
		<b>630</b> Satin Stainless Steel	
	<b>BSP</b> Black Suede Powder		

\*Refer to handing diagram for proper handing selection

## Handing Diagram



NOTE: Electric strike compatibility is determined at time of electric strike product release. ASSA ABLOY is not responsible for incompatibility of products that have changed in design or craftsmanship by their respective manufacturers. When compatibility is a concern, contact Customer Support for application assistance.

# 9200 Surface Mounted Electric Strike

*Works with tubular, vertical rod exit devices on double doors*



The low-profile, retro-mounted solution for glass openings.

The innovative 9200 electric strike sets a new industry standard for glass openings with tubular, vertical rod exit devices. The 9200 offers simplified retro-mounted installation within the existing mechanical prep to provide fast and easy installation. Integrated adjustability provides optimal latch positioning to accommodate demanding installations and the low-profile design eliminates the need to add to or modify the frame. With adaptable voltage sensing technology, no wiring selection is required, allowing the product to function in ranges from 12 through 24 volts. Additionally, field selectable fail safe/fail secure functionality and monitoring options provide maximized versatility.

The 9200 exceeds Grade 1 standards and is designed with the strength and durability to meet UL outdoor rating requirements.

## Features

### Standard Features

- Retro-mount using existing header prep
- No cutting required
- Non-handed
- Integrated adjustability
- Adaptable voltage sensing technology (12-24 VDC)
- Factory configured or field installable monitoring
- Static strength 1,500 lbs
- Dynamic strength to 70 ft-lbs
- Endurance 1 million cycles
- Field selectable fail secure/fail safe
- Quiet operation
- Stainless steel construction
- SecuriCare five-year, no-fault, no questions asked warranty

### Optional Features

- **W** Wide or **N** Narrow backset options
- **LM** Latchbolt monitor
- **LMS** Latchbolt strike monitor
- Available in 7 finishes

### Accessories

- **OPT-9DLM** Double Monitoring Kit
- **RK-ESK2** Retrofit Kit for Double Doors
- **UHB** Securitron Universal Header Bracket
- **HEB** Securitron Header Extension Bracket



Grade 1



SecuriCare  
Warranty



Tubular  
Exit Device



Field Selectable  
(Fail secure  
/Fail safe)



Dual Voltage  
12/24



PoE  
Friendly



Outdoor  
Rated



Burglary  
Rated

hes.

ASSA ABLOY

## Specifications

### Certifications

- ANSI/BHMA A156.31 Grade 1
- UL 1034 Burglary-Resistant Listed; Suitable for Outdoor Use
- UL 294 Listed
- UL 305 Listed
- RoHS compliant

### Frame Application

- Aluminum
- Hollow Metal
- Wood (additional mounting hardware required)

### Electrical (DC Continuous Duty)

- Operating Voltage (12-24 VDC/VAC)
- 480 mA at 12 VDC, 240 mA at 24 VDC

## Compatible Latches



Roller Latch

— CRL PA Series

— FHC HP Series

— PRL PL Series

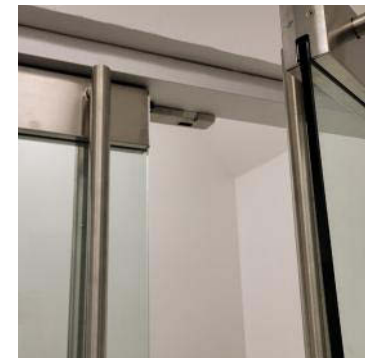
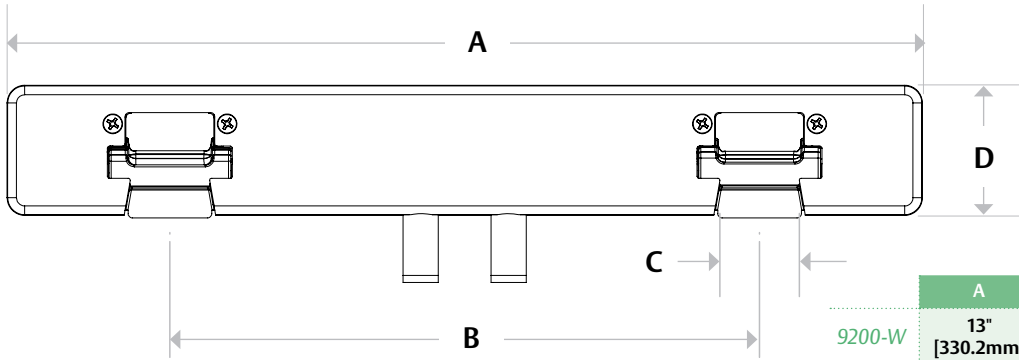
— dormakaba GP Series



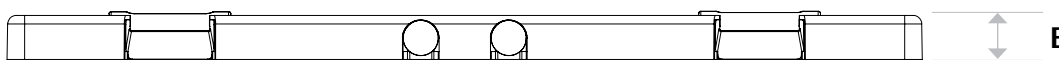
Security Latch

— Rockwood PDU Series

## Dimensions



	A	B	C	D	E
9200-W	13" [330.2mm]	8-3/8" [212.7 mm]	1-1/8" [28.6mm]	1-7/8" [46.9mm]	5/8" [15.9mm]
9200-N	13" [330.2mm]	4-5/8" [117.5mm]	1-1/8" [28.6mm]	1-7/8" [46.9mm]	5/8" [15.9mm]



## How to Order

SERIES	KEEPER SPACING	FINISH	OPTION (S)
<b>9200</b>	<b>W</b>	<b>- 630</b>	
9200 Electric Strike for tubular, vertical rod exit devices for double doors	N 4-5/8"*	605 Bright Brass	(blank) No Monitoring
	W 8-3/8"*	606 Satin Brass	LM Latchbolt Monitoring
		612 Satin Bronze	LMS Latchbolt and Strike Monitoring
		613E Dark Oxidized Satin Bronze Powder	
		629 Bright Stainless Steel	
		630 Satin Stainless Steel	
		BSP Black Suede Powder	

\*Keeper distance centerline to centerline

NOTE: Electric strike compatibility is determined at time of electric strike product release. ASSA ABLOY is not responsible for incompatibility of products that have changed in design or craftsmanship by their respective manufacturers. When compatibility is a concern, contact Customer Support for application assistance.

# 9400 Surface Mounted Electric Strike

Works with rim exit devices  
with a 1/2" throw latchbolt



## The slim-line, surface mounted solution.

The 9400 Series Electric Strike is a slim-line, surface mounted electric strike designed to accommodate rim exit devices with a 1/2" throw Pullman latchbolt. All components are completely encased within its 1/2" thick stainless steel housing, so no cutting on the frame is required for installation. Simply place the electric strike on the surface of the frame, align it with the exit latchbolt, and install.

An 1/8" spacer plate is provided to accommodate varying door gaps. The 9400 exceeds Grade 1 standards for strength and performance. It is field selectable for fail safe/fail secure operation, and for 12 or 24 VDC. The 9400 features a smooth cover to conceal the mounting screws and provide a sleek surface for superior looks.

## Features

### Standard Features

- Installs in metal and wood frames
- Wood screws not provided
- One 1/8" [3.2mm] spacer plate included
- Decorative cover for sleek look
- Stainless steel construction
- Tamper resistant
- Static strength 1,500 lbs
- Dynamic strength 70 ft-lbs
- Endurance 1 million cycles
- Field selectable fail safe/fail secure
- Horizontal adjustability
- Non-handed
- Internally mounted solenoid
- Accommodates up to 1/2" [12.7mm] Pullman latch
- SecuriCare five-year, no-fault, no questions asked warranty (Addition of SMART Pac® III extends the warranty to 10 years)

### Optional Features

- **LBM** Latchbolt monitor
- **LBSM** Latchbolt strike monitor

### Accessories

- **9000-116-XXX** 1/16" Spacer plate (Available in 613E, 628E, 630 & BSP finishes)
- **9000-108-XXX** 1/8" Spacer plate (Available in 613E, 628E, 630 & BSP finishes)
- **9000-MTK** Metal template kit
- **SMB** Surface mounting box
- **2001M** Plug-in bridge rectifier
- **2004M** ElectroLynx® adapter
- **2005M3** SMART Pac® III
- **2006M** Plug-in buzzer
- **9000-ASB-XXX** Aluminum Spacer Bracket (available 613E, 628E, 630 & BSP finis)
- **BN-250** 1/4-20 Blind Nuts



Grade 1

SecuriCare  
WarrantyRim Exit  
DevicesField Selectable  
(Fail secure  
/Fail safe)Dual Voltage  
12/24Outdoor  
RatedBurglary  
Rated

### Spacer Plate Included

The 9400 ships with one 1/8" [3.2mm] spacer plate included in the box. Units ordered in a 630 finish are stainless steel. All other finishes have a black suede powder stainless steel spacer. Additional black spacer plates can be ordered as an accessory.

ASSA ABLOY



## Specifications

### Certifications

- ANSI/BHMA A156.31, Grade 1
- UL 1034 burglary-resistant listed and suitable for outdoor use
- UL 294 listed
- UL 305 listed
- RoHS compliant

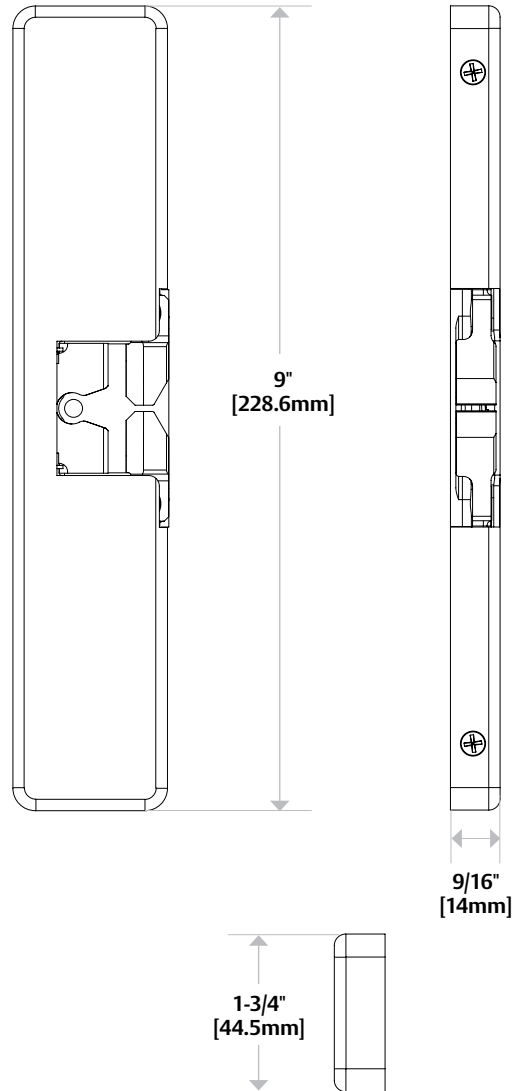
### Frame Application

- Metal
- Wood

### Electrical (DC Continuous Duty)

- Dual voltage 12/24 VDC
- 450 mA at 12 VDC/250 mA at 24 VDC

## Dimensions



## How to Order

SERIES	FINISH	OPTION (S)
<b>9400</b>	<b>- 630</b>	<b>- LBM</b>
<b>9400</b> Surface-Mounted Electric Strike for 1/2" Pullman Rim Exit Devices; no faceplates required	<b>605</b> Bright Brass <b>606</b> Satin Brass <b>612</b> Satin Bronze <b>613</b> Bronze Toned <b>613E</b> Dark Oxidized Satin Bronze Powder <b>629</b> Bright Stainless Steel <b>630</b> Satin Stainless Steel <b>BSP</b> Black Suede Powder	<b>LBM</b> Latchbolt Monitor <b>LBSM</b> Latchbolt Strike Monitor

NOTE: Electric strike compatibility is determined at time of electric strike product release. ASSA ABLOY is not responsible for incompatibility of products that have changed in design or craftsmanship by their respective manufacturers. When compatibility is a concern, contact Customer Support for application assistance.

# 9500 Surface Mounted Electric Strike

Works with rim exit devices with  
a 3/4" throw Pullman latchbolt



## The durable, fire rated surface mounted solution.

The 9500 Series Electric Strike is a three hour fire rated, surface mounted electric strike designed to accommodate rim exit devices with a 3/4" throw Pullman latchbolt. All components are completely encased within its 3/4" thick stainless steel housing, so no cutting on the frame is required for installation. Simply place the electric strike on the surface of the frame, align it with the exit latchbolt and install. Adjustments have never been easier as the base is now separate from the cover.

The 9500 exceeds Grade 1 standards for strength and performance. It is field selectable for fail safe / fail secure operation, and for 12 or 24 VDC. This unique electric strike complies with NFPA 80-07 guidelines for retrofit into fire rated frames.

## Features

### Standard Features

- Installs in metal or wood frames (wood screws not included)
- Separate base and decorative cover for easy adjustments
- Stainless steel construction
- Tamper resistant
- Static strength 1,500 lbs
- Dynamic strength 70 ft-lbs
- Endurance 1 million cycles
- Field selectable fail safe/fail secure
- Horizontal adjustability
- Non-handed
- Internally mounted solenoid
- Accommodates up to 3/4" [19mm] Pullman latch
- SecuriCare five-year, no-fault, no questions asked warranty (*Addition of SMART Pac® III extends the warranty to 10 years*)

### Optional Features

- **LBM** Latchbolt monitor
- **LBSM** Latchbolt strike monitor

### Accessories

- **9000-116-XXX** 1/16" Spacer plate (Available in 613E, 628E, 630 & BSP finishes)
- **9000-108-XXX** 1/8" Spacer plate (Available in 613E, 628E, 630 & BSP finishes)
- **9000-MTK** Metal template kit
- **SMB** Surface mounting box
- **2001M** Plug-in bridge rectifier
- **2004M** ElectroLynx® adapter
- **2005M3** SMART Pac® III
- **2006M** Plug-in buzzer



Grade 1

SecuriCare  
WarrantyRim Exit  
DevicesField Selectable  
(Fail secure  
/Fail safe)Dual Voltage  
12/24

Fire Rated

Outdoor  
RatedBurglary  
Rated

ASSA ABLOY

## Specifications

### Certifications

- ANSI/BHMA A156.31, Grade 1
- UL 1034 burglary-resistant listed and suitable for outdoor use
- UL 294 listed
- UL 305 listed
- RoHS compliant
- UL 10C fire rated, 3-hour single door (fail secure only)
- CAN/ULC-S104 fire door conformant
- NFPA-252 fire door compliant
- ASTM-E152 fire door compliant
- California Fire Marshal listed
- NFPA 80-07 compliant

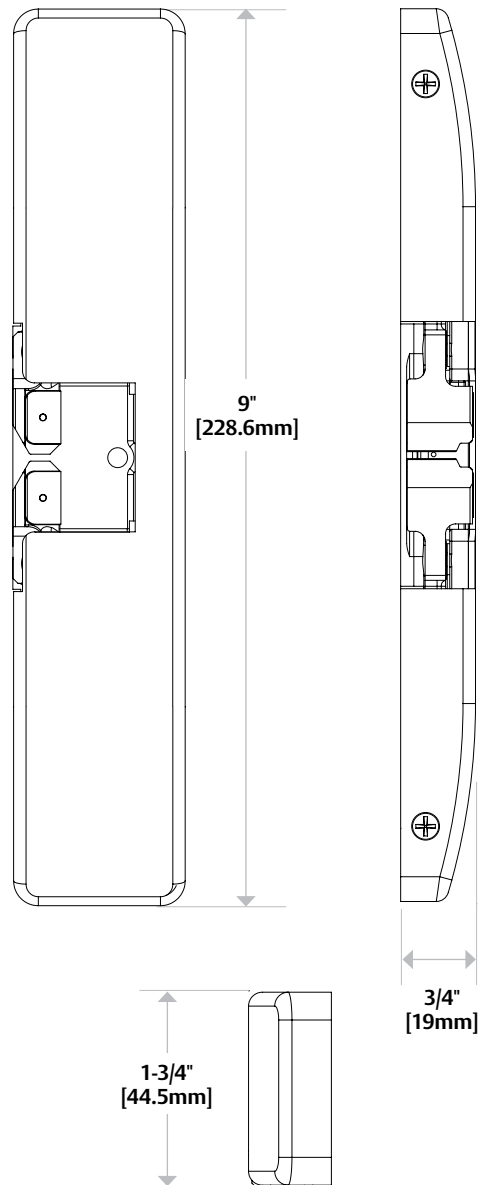
### Frame Application

- Metal
- Wood

### Electrical (DC Continuous Duty)

- Dual voltage 12/24 VDC
- 450 mA at 12 VDC/250 mA at 24 VDC

## Dimensions



## How to Order

SERIES	FINISH	OPTION (S)
<b>9500</b>	<b>- 630</b>	<b>- LBM</b>
<b>9500</b> Surface-Mounted Electric Strike for 3/4" Pullman Rim Exit Devices, fire rated; no faceplates required	<b>605</b> Bright Brass <b>606</b> Satin Brass <b>612</b> Satin Bronze <b>613</b> Bronze Toned <b>613E</b> Dark Oxidized Satin Bronze Powder <b>629</b> Bright Stainless Steel <b>630</b> Satin Stainless Steel <b>BSP</b> Black Suede Powder	<b>LBM</b> Latchbolt Monitor <b>LBSM</b> Latchbolt Strike Monitor

NOTE: Electric strike compatibility is determined at time of electric strike product release. ASSA ABLOY is not responsible for incompatibility of products that have changed in design or craftsmanship by their respective manufacturers. When compatibility is a concern, contact Customer Support for application assistance.

# 9600 Surface Mounted Electric Strike

Works with rim exit devices with  
a 3/4" throw Pullman latchbolt



## The stylish windstorm resistant, surface mounted solution.

The 9600 Series Electric Strike is a windstorm resistant, surface mounted electric strike designed to accommodate rim exit devices with a 3/4" throw Pullman latchbolt. All components are completely encased within its 3/4" thick stainless steel housing, so no cutting on the frame is required for installation. Simply place the electric strike on the surface of the frame, align it with the exit latchbolt and install. Adjustments have never been easier as the base is now separate from the cover. It is field selectable for fail secure or fail safe operation, and for 12 or 24 VDC.

The 9600 is a surface mounted electric strike designed with the strength and durability required to exceed the severe forces of ANSI Windstorm testing.

## Features

### Standard Features

- Installs in metal or wood frames (wood screws not included)
- Separate base and decorative cover for easy adjustments
- Stainless steel construction
- Tamper resistant
- Static strength 2,000 lbs
- Dynamic strength 120 ft-lbs
- Endurance 1 million cycles
- Field selectable fail safe/fail secure
- Horizontal adjustment
- Non-handed
- Internally mounted solenoid
- Accommodates up to 3/4" [19mm] Pullman latch
- SecuriCare five-year, no-fault, no questions asked warranty (*Addition of SMART Pac® III extends the warranty to 10 years*)

### Optional Features

- **LBM** Latchbolt monitor
- **LBSM** Latchbolt strike monitor

### Accessories

- **9000-116-XXX** 1/16" Spacer plate (Available in 613E, 628E, 630 & BSP finishes)
- **9000-108-XXX** 1/8" Spacer plate (Available in 613E, 628E, 630 & BSP finishes)
- **9000-MTK** Metal template kit
- **SMB** Surface mounting box
- **2001M** Plug-in bridge rectifier
- **2004M** ElectroLynx adapter
- **2005M3** SMART Pac III
- **2006M** Plug-in buzzer
- **9000-ASB-XXX** Aluminum Spacer Bracket (available 613E, 628E, 630 & BSP finis)



Grade 1

SecuriCare  
WarrantyRim Exit  
DevicesField Selectable  
(Fail secure  
/Fail safe)Dual Voltage  
12/24Windstorm  
ResistantOutdoor  
RatedBurglary  
Rated

ASSA ABLOY

## Specifications

### Certifications

- ANSI/BHMA A156.31, Grade 1
- UL 1034 burglary-resistant listed and suitable for outdoor use
- UL 294 listed
- UL 305 listed
- RoHS compliant
- ANSI/SDI A250.13 windstorm resistant
- Florida Building Code approved TAS 201, 202, 203
- ANSI-ASTM E330

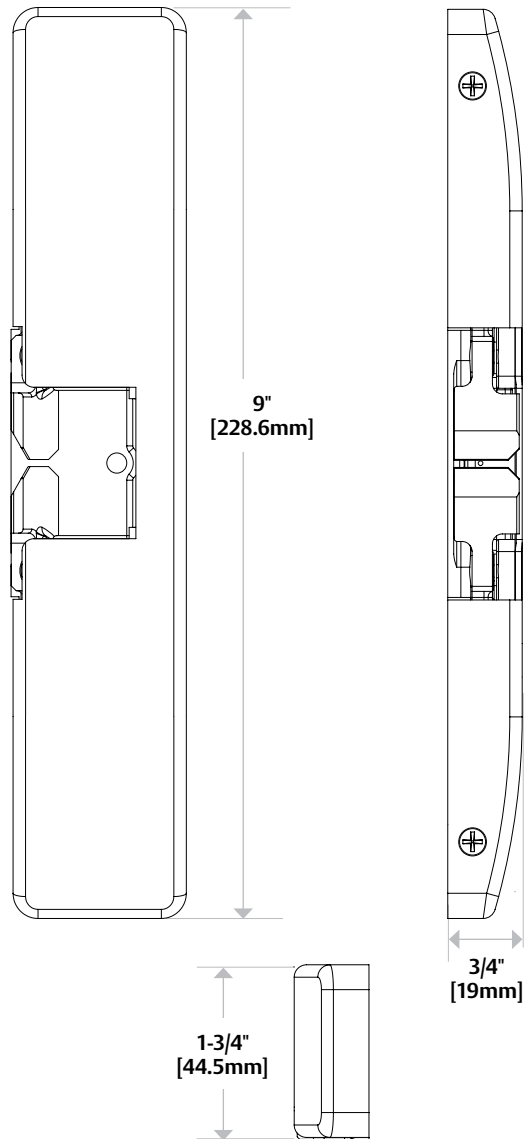
### Frame Application

- Metal
- Wood

### Electrical (DC Continuous Duty)

- Dual voltage 12/24 VDC
- 450 mA at 12 VDC/250 mA at 24 VDC

## Dimensions



## How to Order

SERIES	FINISH	OPTION (S)
<b>9600</b>	<b>- 630</b>	<b>- LBM</b>
<b>9600</b> Surface-Mounted Electric Strike for 3/4" Pullman Rim Exit Devices, non-fire rated; no faceplates required	<b>605</b> Bright Brass <b>606</b> Satin Brass <b>612</b> Satin Bronze <b>613</b> Bronze Toned <b>613E</b> Dark Oxidized Satin Bronze Powder <b>629</b> Bright Stainless Steel <b>630</b> Satin Stainless Steel <b>BSP</b> Black Suede Powder	<b>LBM</b> Latchbolt Monitor <b>LBSM</b> Latchbolt Strike Monitor

NOTE: Electric strike compatibility is determined at time of electric strike product release. ASSA ABLOY is not responsible for incompatibility of products that have changed in design or craftsmanship by their respective manufacturers. When compatibility is a concern, contact Customer Support for application assistance.

# 9700 Surface Mounted Electric Strike

Works with Corbin Russwin® Securebolt® and ASSA ABLOY ACCENTRA™ Squarebolt® exit devices



The stylish windstorm resistant and fire rated, squarebolt solution.

The 9700 Series Electric Strike is a heavy duty, surface mounted electric strike designed to accommodate Corbin Russwin® Securebolt® and ASSA ABLOY ACCENTRA™ Squarebolt® exit devices. All components are completely encased within its 3/4" thick stainless steel housing, so no cutting on the frame is required for installation. It is field selectable for fail secure or fail safe operation, and for 12 or 24 VDC.

The 9700 is designed with the strength and durability required to exceed the severe forces of ANSI Windstorm testing. This unique electric strike also complies with NFPA 80-07 guidelines for retrofit into fire rated frames.

## Features

### Standard Features

- Installs in metal or wood (wood screws not included)
- Separate base and decorative cover for easy adjustments
- Stainless steel construction
- Tamper resistant
- Static strength to 2,000 lbs
- Dynamic strength to 120 ft-lbs
- Endurance 1 million cycles
- Field selectable fail safe/fail secure
- Horizontal adjustment
- Non-handed
- Internally mounted solenoid
- SecuriCare five-year, no-fault, no questions asked warranty (Addition of SMART Pac® III extends the warranty to 10 years)

### Optional Features

- **LBM** Latchbolt monitor
- **LBSM** Latchbolt strike monitor

### Accessories

- **9000-116-XXX** 1/16" Spacer plate (Available in 613E, 628E, 630 & BSP finishes)
- **9000-108-XXX** Spacer plate (BSP, 613E, 630, 628E)
- **9000-MTK** Metal template kit
- **SMB** Surface mounting box
- **2001M** Plug-in bridge rectifier
- **2004M** ElectroLynx® adapter
- **2005M3** SMART Pac® III
- **2006M** Plug-in buzzer



Grade 1



SecuriCare  
Warranty



Rim Exit  
Devices



Field Selectable  
(Fail secure  
/Fail safe)



Dual Voltage  
12/24



Fire Rated



Windstorm  
Rated



Outdoor  
Rated



Burglary  
Rated

h.e.s.

ASSA ABLOY

## Specifications

### Certifications

- ANSI/BHMA A156.31, Grade 1
- UL 1034 burglary-resistant listed and suitable for outdoor use
- UL 294 listed
- UL 305 listed
- RoHS compliant
- UL 10C fire rated, 3-hour single door (fail secure only)
- CAN/ULC-S104 fire door conformant
- NFPA-252 fire door compliant
- ASTM-E152 fire door compliant
- California Fire Marshal listed
- NFPA 80-07 compliant
- ANSI/SDI A250.13 windstorm resistant
- Florida Building Code approved TAS 201, 202, 203
- ANSI-ASTM E330

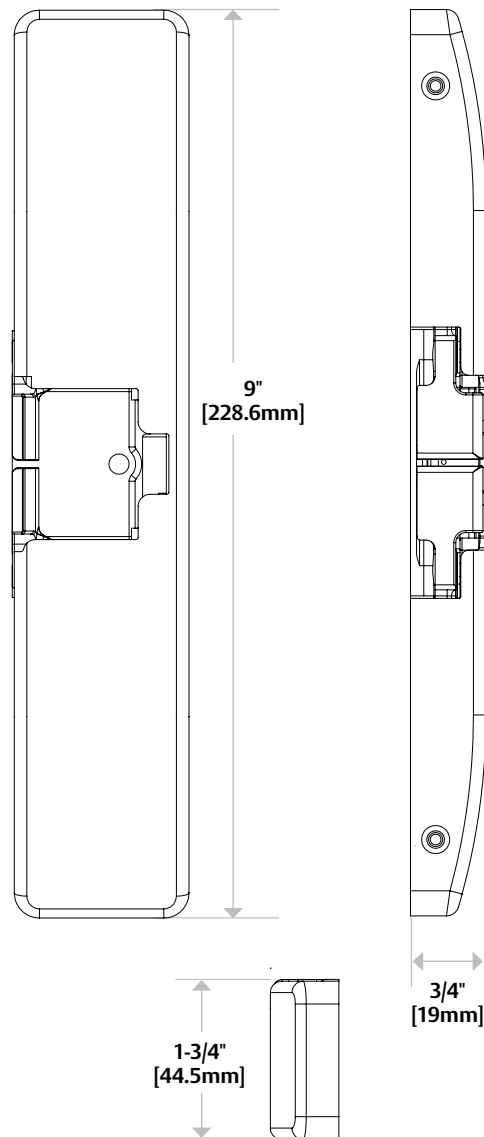
### Frame Application

- Metal
- Wood

### Electrical (DC Continuous Duty)

- Dual voltage 12/24 VDC
- 450 mA at 12 VDC/250 mA at 24 VDC

## Dimensions



## How to Order

SERIES	FINISH	OPTION (S)
<b>9700</b>	<b>- 630</b>	<b>- LBM</b>
9700 Surface Mounted Electric Strike for Corbin Russwin® Securebolt® and ASSA ABLOY ACCENTRA™ Squarebolt® exit devices	<b>605</b> Bright Brass <b>606</b> Satin Brass <b>612</b> Satin Bronze <b>613</b> Bronze Toned <b>613E</b> Dark Oxidized Satin Bronze Powder <b>629</b> Bright Stainless Steel <b>630</b> Satin Stainless Steel <b>BSP</b> Black Suede Powder	<b>LBM</b> Latchbolt Monitor <b>LBSM</b> Latchbolt Strike Monitor

NOTE: Electric strike compatibility is determined at time of electric strike product release. ASSA ABLOY is not responsible for incompatibility of products that have changed in design or craftsmanship by their respective manufacturers. When compatibility is a concern, contact Customer Support for application assistance.

# 9800 Surface Mounted Electric Strike

Works with Adams Rite® Starwheel®  
and Interlocking rim exit devices



The low-profile, surface mounted electric strike designed to accommodate the Adams Rite 8700 and 8800 Series Rim Exit Devices.

The 9800 Series Electric Strike exceeds Grade 1 standards for strength and performance. All functions are performed within the 1/2" thick strike body, which is protected by a sleek stainless steel cover to conceal the mounting screws and provide the most aesthetic appearance. All while being field selectable for fail secure or fail safe operation, and dual voltage, 12 or 24 VDC.

1/16" and 1/8" spacer plates are provided to accommodate varying door gaps. Simply place the electric strike on the surface of the frame, align it with the Starwheel or Interlocking latchbolt, and install.

## Features

### Standard Features

- Compatible with Adams Rite 8700 and 8800 Series Rim Exit Devices
- Installs on aluminum, hollow metal and wood frames (wood screws not provided)
- One 1/16" [1.6mm] spacer plate included
- One 1/8" [3.2mm] spacer plate included
- Decorative cover for sleek look
- Stainless steel construction
- Tamper-resistant
- Static strength 1,500 lbs
- Dynamic strength 70 ft-lbs
- Endurance 1 million cycles
- Field selectable fail safe/fail secure
- Horizontal adjustment
- Non-handed
- Internally mounted solenoid
- SecuriCare five-year, no-fault, no questions asked warranty (Addition of SMART Pac® III extends the warranty to 10 years)

### Accessories

- **9000-116-XXX** 1/16" Spacer plate (Available in 613E, 628E, 630 & BSP finishes)
- **9000-108-XXX** 1/8" Spacer plate (Available in 613E, 628E, 630 & BSP finishes)
- **9000-MTK** Metal template kit
- **SMB** Surface mounting box
- **2001M** Plug-in bridge rectifier
- **2004M** ElectroLynx® adapter
- **2005M3** SMART Pac® III
- **2006M** Plug-in buzzer
- **9000-ASB-XXX** Aluminum Spacer Bracket (Available in 613E, 628E, 630 & BSP finishes)
- **BN-250** 1/4-20 Blind Nuts



Grade 1

SecuriCare  
WarrantyRim Exit  
DevicesField Selectable  
(Fail secure  
/Fail safe)Dual Voltage  
12/24Outdoor  
RatedBurglary  
Rated

## Spacer Plates Included

The 9800 ships standard with one 1/16" [1.6mm] and one 1/8" [3.2mm] spacer plate included in the box. Units ordered in 613E, 628E, 630 & BSP finishes will be made of stainless steel and finished to match. All other finishes will receive black stainless steel spacers. Additional spacer plates can be ordered separately.

ASSA ABLOY



## Specifications

### Certifications

- ANSI/BHMA A156.31, Grade 1
- UL 1034 burglary-resistant listed and suitable for outdoor use
- UL 294 listed
- UL 305 listed
- RoHS compliant

### Holding Force

- Static strength 1,500 lbs
- Dynamic strength 70 ft-lbs

### Frame Application

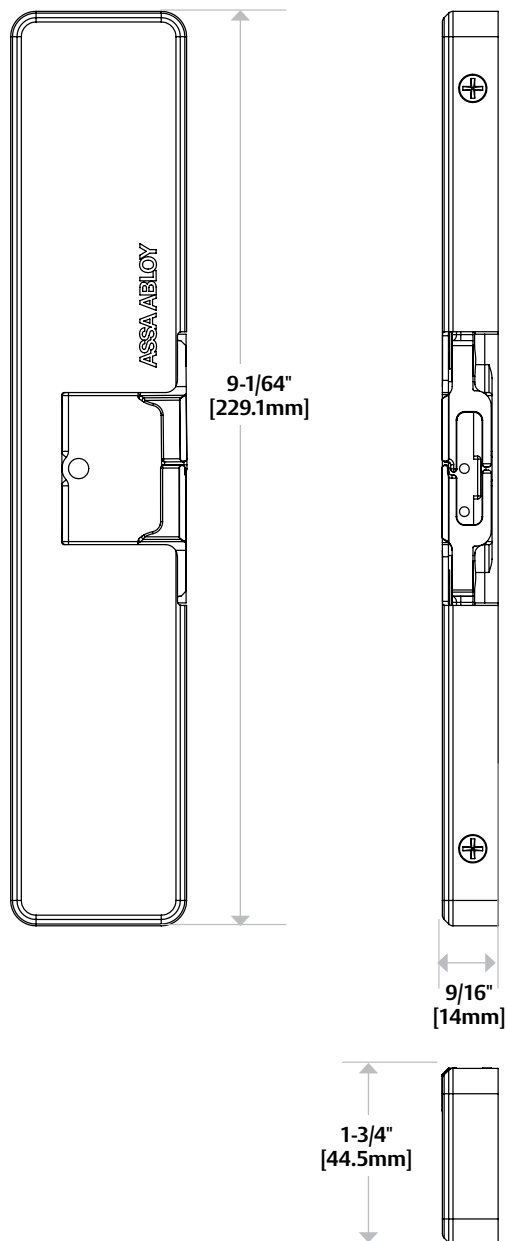
- Aluminum
- Hollow Metal
- Wood

### Electrical (DC Continuous Duty)

- Dual voltage 12/24 VDC
- 450 mA at 12 VDC/250 mA at 24 VDC

**Product NOTE:** this product is also available as the Adams Rite 7800 Electric Strike.

## Dimensions

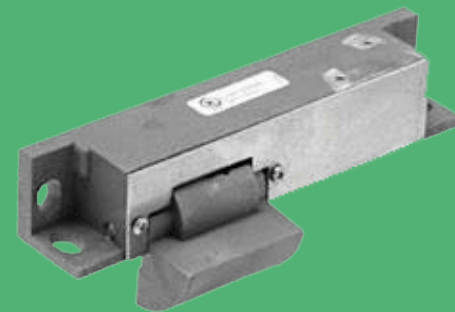


## How to Order

SERIES	FINISH
<b>9800</b>	<b>- 630</b>
<b>9800</b> Surface Mounted Electric Strike for Adams Rite® Starwheel and Interlocking Rim Exit Devices; no faceplates required	<b>605</b> Bright Brass
	<b>606</b> Satin Brass
	<b>613E</b> Dark Oxidized Satin Bronze Powder
	<b>628E</b> Satin Aluminum, Clear Anodized Powder
	<b>629</b> Bright Stainless Steel
	<b>630</b> Satin Stainless Steel
	<b>BSP</b> Black Suede Powder

NOTE: Electric strike compatibility is determined at time of electric strike product release. ASSA ABLOY is not responsible for incompatibility of products that have changed in design or craftsmanship by their respective manufacturers. When compatibility is a concern, contact Customer Support for application assistance.

# Folger Adam 310-1(X) Electric Strike Body Only



Works with cylindrical and mortise locksets with 1/2", 5/8" or 3/4" throw latchbolts

The 310 series is a 3-hour fire rated, industrial grade electric strike designed for extreme heavy duty applications.

The all stainless steel construction of this device makes it ideal for strength and corrosion resistance.

## Features

### Standard Features

- Tamper resistant, heavy duty construction
- Constructed entirely of stainless steel for strength and corrosion resistance
- Static strength 1,500 lbs
- Dynamic strength 70 ft-lbs
- Endurance 1 million cycles
- Adjustable keeper allows for door and frame alignment 1/2", 3/4" [19mm] and 1" [25.4mm] keeper depths
- Non-handed
- Fail secure (standard)
- Plug-in connector
- SecuriCare five-year, no-fault, no questions asked warranty (Addition of SMART Pac® III extends the warranty to 10 years)

### Optional Features

- **Fail Safe**
- **LCBMA** Latchbolt & Locking Cam Monitor with Auxiliary Switch

### Accessories

- **152** Universal mounting tabs
- **310-2-3** Strike latch guard (astragal)
- **2001-1** Wire-in bridge rectifier
- **2001M** Plug-in bridge rectifier
- **2004M** ElectroLynx® adapter
- **2005M3** SMART Pac® III
- **2006M** Plug-in buzzer



Grade 1

SecuriCare  
WarrantyCylindrical  
LocksetsMortise Locks  
without  
DeadboltRim Exit  
DevicesSpecialty  
Locksets

Fire Rated

Burglary  
Rated

h.e.s.

ASSA ABLOY

## Specifications

### Certifications

- UL 10C fire rated, 3-hour single door (fail secure only)
- UL 10C fire rated, 3-hour double door (fail secure only)
- CAN4-S104 (ULC-S104) fire door conformant
- UL 1034, burglary-resistant listed
- UL 294 listed
- ANSI/BHMA A156.31, Grade 1
- NFPA-252 fire door conformant
- ASTM-E152 fire door conformant
- RoHS compliant

### Electrical (Continuous Duty)

- 510 mA at 12 VDC/250 mA at 24 VDC

## Dimensions

### 310-1(1/2)

For use with up to 5/8" throw latchbolts (without deadbolt)  
1/2" keeper standard

### 310-1(3/4)

For use with 3/4" [19mm] throw latchbolts (without deadbolt) on single and double glass door applications with the addition of a third party faceplate.

- Works with Rockwood PDU8000 and CR Laurence PA100 Series panic devices when used with ESK Series stop/strike

3/4" [19mm] keeper standard

### 310-1(1)

For use with both a 3/4" [19mm] throw latchbolt and a 1" [25.4mm] throw deadbolt  
1" [25.4mm] keeper standard

### 310-1(PK)

For up to 3/4" [19mm] Pullman style latchbolts  
PK keeper standard

### 310-1(SK)

For Squarebolt® style rim exit devices

- Works with Corbin Russwin® ED4200S, ED5200S and ED5200SA Securebolt® or ASSA ABLOY ACCENTRA™\* 7150(F), 7250, 7270M(F) Squarebolt® Exit Devices.

SK keeper standard

\*Formerly Yale Commercial

## How to Order

PREFIX	SERIES	KEEPER STYLE	FAIL SECURE / SAFE	VOLTAGE	OPTION (S)
<b>SB</b>	<b>-310-1</b>	<b>(3/4)</b>	<b>- F</b>	<b>- 24D</b>	<b>- LCBMA</b>
<b>SB</b> Strike Body	<b>310-1</b> Strike Body Only	(1/2) 1/2" keeper (3/4) 3/4" keeper (1) 1" keeper (PK) For use with 3/4" Pullman style latchbolts (SK) For use with Squarebolt® style rim exit devices	(blank) Fail Secure (standard) F Fail Safe	12D 12 Volt 24D 24 Volt	(blank) No Monitor LCBMA Latchbolt & locking cam monitor with auxiliary switch

NOTE: Electric strike compatibility is determined at time of electric strike product release. ASSA ABLOY is not responsible for incompatibility of products that have changed in design or craftsmanship by their respective manufacturers. When compatibility is a concern, contact Customer Support for application assistance.

# Folger Adam 310 Electric Strike

Works with cylindrical and mortise locksets with 1/2", 5/8" or 3/4" throw latchbolts



The 310 series is a 3-hour fire rated, industrial grade electric strike designed for extreme heavy duty applications.

The all stainless steel construction of this device makes it ideal for high abuse applications that would disable other electric strikes.

## Features

### Standard Features

- Tamper resistant (heavy duty construction)
- Constructed entirely of stainless steel for strength and corrosion resistance
- Static strength 1,500 lbs
- Dynamic strength 70 ft-lbs
- Endurance rating 1 million cycles
- Horizontally adjustable keeper allows for door and frame misalignment
- 1/2" [12.7mm] keeper depth (310-2)
- 3/4" [19mm] keeper depth (310-2 3/4 and 310-2 3/4OB)
- 1" [25.4mm] keeper depth (310-3-1)
- Non-handed
- Fail secure (standard)
- Plug-in connector
- SecuriCare five-year, no-fault, no questions asked warranty (Addition of SMART Pac® III extends the warranty to 10 years)

### Optional Features

- **Fail Safe**
- **LCBMA** Latchbolt & Locking Cam Monitor with Auxiliary Switch (all except 310-2-3/4OB)

### Accessories

- **152** Universal mounting tabs
- **310-2-3** Strike latch guard (astragal)
- **2001-1** Wire-in bridge rectifier
- **2001M** Plug-in bridge rectifier
- **2004M** ElectroLynx® adapter
- **2005M3** SMART Pac® III
- **2006M** Plug-in buzzer



Grade 1

SecuriCare  
WarrantyCylindrical  
LocksetsMortise Locks  
with DeadboltMortise Locks  
without  
Deadbolt

Fire Rated

Burglary  
Rated

h.e.s.

ASSA ABLOY

## Specifications

### Certifications

- UL 10C fire rated, 3-hour single door (fail secure only)
- UL 10C fire rated, 3-hour double door (fail secure only)
- CAN4-S104 (ULC-S104) fire door conformant
- UL 1034, burglary-resistant listed
- UL 294 listed
- ANSI/BHMA A156.31, Grade 1
- NFPA-252 fire door conformant
- ASTM-E152 fire door conformant
- RoHS compliant

### Electrical (DC Continuous Duty)

- 510 mA at 12 VDC/250 mA at 24 VDC

## Dimensions



### 310-2

For a 1/2" [12.7mm] or 5/8" [15.875mm] throw latchbolt (without deadbolt) on single doors and pairs of doors.  
1/2" [12.7mm] keeper standard



### 310-2-3/4

For a 3/4" [19mm] throw latchbolt (without deadbolt) on single doors and pairs of doors.  
3/4" [19mm] keeper standard



### 310-2 3/4OB

For a pair of doors, without a door coordinator, which is equipped with a lock having a 3/4" [19mm] throw latchbolt (without deadbolt).  
3/4" [19mm] keeper standard



### 310-3-1

For a lockset with both a 3/4" [19mm] throw latchbolt and a 1" [25.4mm] throw deadbolt.  
• Deadbolt must be retracted manually  
• Position of block within cavity is adjustable for RH and LH applications  
1" [25.4mm] keeper standard

## How to Order

SERIES	FAIL SECURE / SAFE	VOLTAGE	FINISH*	OPTION (S)
<b>310-2</b>	<b>- F</b>	<b>- 24D</b>	<b>- 630</b>	<b>- LCBMA</b>
<b>COMPLETE PACS</b>	<b>(blank)</b> Fail Secure (standard)	<b>12D</b> 12 Volt	<b>605</b> Bright Brass	<b>(blank)</b> No Monitor
<b>310-2</b> 1/2" keeper standard; For up to a 5/8" throw latchbolt	<b>F</b> Fail Safe	<b>24D</b> 24 Volt	<b>606</b> Satin Brass	<b>LCBMA*</b> Latchbolt & locking cam monitor with auxiliary switch
<b>310-2 3/4</b> 3/4" keeper standard; For up to a 3/4" [19mm] throw latchbolt without deadbolt		<b>612</b> Satin Bronze		
<b>310-2 3/4OB</b> 3/4" keeper standard; For a pair of doors without a door coordinator		<b>613E</b> Dark Oxidized Satin Bronze Powder		
<b>310-3-1</b> 1" keeper standard; For up to a 3/4" throw latchbolt and a 1" deadbolt		<b>629</b> Bright Stainless Steel		
			<b>630</b> Satin Stainless Steel	

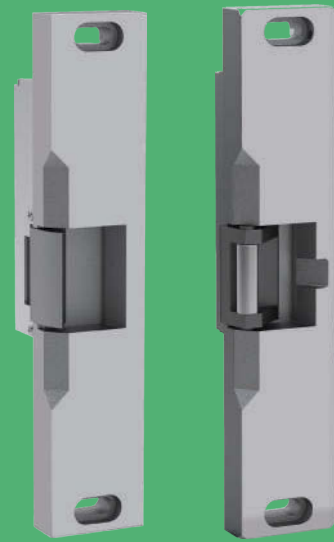
\*LCBMA not available with 310-2 3/4OB

PREFIX	SERIES	FINISH*
<b>FP</b>	<b>- 310-2 3/4OB</b>	<b>- 630</b>
<b>FACEPLATE ONLY</b>		<b>605</b> Bright Brass
<b>FP Faceplate</b>	<b>310-2</b> 1/2" keeper standard; For up to a 5/8" throw latchbolt	<b>606</b> Satin Brass
	<b>310-2 3/4</b> 3/4" keeper standard; For up to a 3/4" [19mm] throw latchbolt without deadbolt	<b>612</b> Satin Bronze
	<b>310-2 3/4OB</b> 3/4" keeper standard; For a pair of doors without a door coordinator	<b>613E</b> Dark Oxidized Satin Bronze Powder
	<b>310-3-1</b> 1" keeper standard; For up to a 3/4" throw latchbolt and a 1" deadbolt	<b>629</b> Bright Stainless Steel
		<b>630</b> Satin Stainless Steel

NOTE: Electric strike compatibility is determined at time of electric strike product release. ASSA ABLOY is not responsible for incompatibility of products that have changed in design or craftsmanship by their respective manufacturers. When compatibility is a concern, contact Customer Support for application assistance.

# Folger Adam 310-4 Electric Strike

Works with Pullman style latchbolts  
up to 3/4" and Squarebolt®  
style rim exit devices



310-4

310-4S

The 310-4 is a 3-hour fire rated, industrial grade electric strike designed for extreme heavy duty applications.

The all stainless steel construction of this device makes it ideal for high abuse applications that would disable other electric strikes. The Folger Adam 310-4 Series has a unique 3/4" face plate with an integrated 1/4" base shim that can be removed in the field to accommodate rim exit devices with a 1/2" or 3/4" throw latchbolt.

## Features

### Standard Features

- Integrated shim for quick customization of faceplate thickness (1/2" to 3/4" [19mm])
- Tamper resistant, heavy duty construction
- Constructed entirely of stainless steel for strength and corrosion resistance
- Static strength 1,500 lbs
- Dynamic strength 70 ft-lbs
- Endurance rating 1 million cycles
- Integrated ramps for better deadlatch handling
- Set screws for horizontal lockdown
- In-frame horizontal adjustability
- Wider faceplate for greater versatility
- Non-handed
- Fail secure (standard)
- Plug-in connector
- SecuriCare five-year, no-fault, no questions asked warranty (Addition of SMART Pac® III extends the warranty to 10 years)

### Optional Features

- **Fail Safe**
- **LCBMA** Latchbolt & Locking Cam Monitor with Auxiliary Switch

### Accessories

- **7000-SMB** Surface mounting box
- **2001-1** Wire-in bridge rectifier
- **2001M** Plug-in bridge rectifier
- **2004M** ElectroLynx® adapter
- **2005M3** SMART Pac® III
- **2006M** Plug-in buzzer



Grade 1

SecuriCare  
WarrantyRim Exit  
Devices

Fire Rated

Burglary  
Rated

h.e.s.

ASSA ABLOY

## Specifications

### Certifications

- UL 10C, 3-hour fire rated (fail secure only)
- CAN4-S104 (ULC-S104) fire door conformant
- UL 1034, burglary-resistant listed
- UL 294 listed
- ANSI/BHMA A156.31, Grade 1
- NFPA-252 fire door conformant
- ASTM-E152 fire door conformant
- RoHS compliant

### Electrical (Continuous Duty)

- 510 mA at 12 VDC/250 mA at 24 VDC

### 310-4

For up to 3/4" [19mm] Pullman style latchbolts on single doors

PK keeper standard

### 310-4S

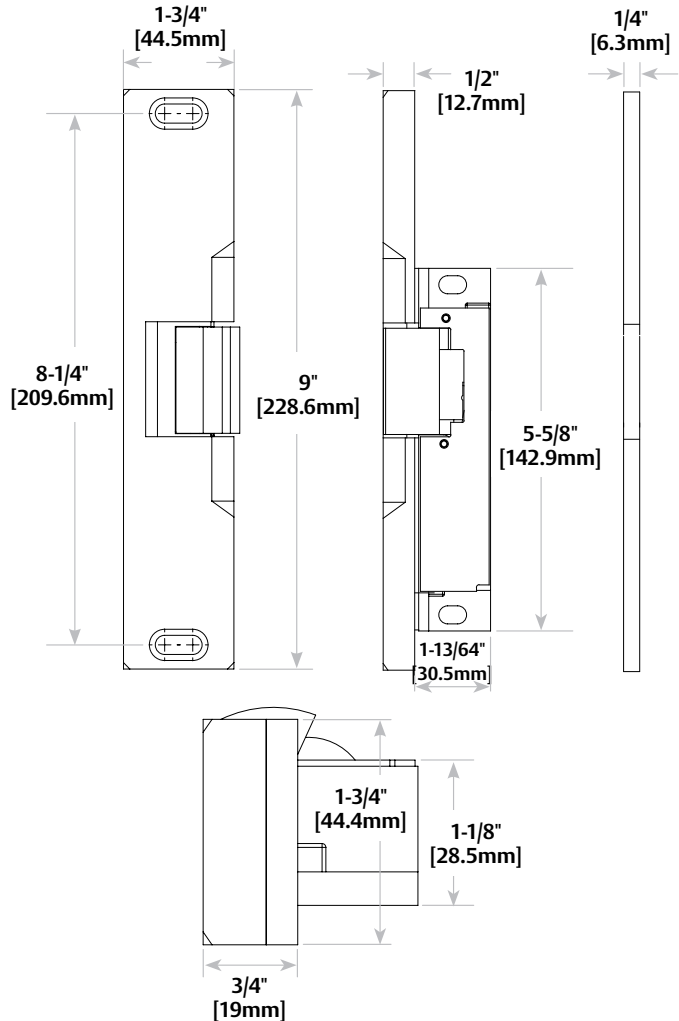
For Squarebolt® style rim exit devices such as;

- Corbin Russwin® ED4200S, ED5200S and ED5200SA SecureBolt®
- ASSA ABLOY ACCENTRA™\* 7150(F), 7250, 7270M(F) Squarebolt® Exit Devices

SK keeper standard

\* Formerly Yale Commercial

## Dimensions *Model 310-4 shown*



## How to Order

SERIES	FAIL SECURE / SAFE	VOLTAGE	FINISH	OPTION (S)
<b>310-4 (S)</b>	<b>- F</b>	<b>- 12D</b>	<b>- 605</b>	<b>- LCBMA</b>
<b>COMPLETE PACS</b>	<b>(blank)</b> Fail Secure (standard)	<b>12D</b> 12 Volt	<b>605</b> Bright Brass	<b>(blank)</b> No Monitor
<b>310-4</b> PK keeper standard; For use with 3/4" Pullman style latchbolts	<b>F</b> Fail Safe	<b>24D</b> 24 Volt	<b>606</b> Satin Brass	<b>LCBMA*</b> Latchbolt & locking cam monitor with auxiliary switch
<b>310-4(S)</b> SK keeper standard; For use with Squarebolt® style rim exit devices			<b>612</b> Satin Bronze	
			<b>613E</b> Dark Oxidized Satin Bronze Powder	
			<b>629</b> Bright Stainless Steel	
			<b>630</b> Satin Stainless Steel	

PREFIX	SERIES	KEEPER STYLE	FINISH
<b>FP</b>	<b>- 310-4</b>	<b>(SK)</b>	<b>- 605</b>
<b>FACEPLATE ONLY</b>		<b>SK</b> For use with Squarebolt® style rim exit devices	<b>605</b> Bright Brass
<b>FP</b> Faceplate	<b>310-4</b> PK keeper standard; For use with 3/4" Pullman style latchbolts		<b>606</b> Satin Brass
	<b>310-4(S)</b> SK keeper standard; For use with Squarebolt® style rim exit devices		<b>612</b> Satin Bronze
			<b>613E</b> Dark Oxidized Satin Bronze Powder
			<b>629</b> Bright Stainless Steel
			<b>630</b> Satin Stainless Steel

NOTE: Electric strike compatibility is determined at time of electric strike product release. ASSA ABLOY is not responsible for incompatibility of products that have changed in design or craftsmanship by their respective manufacturers. When compatibility is a concern, contact Customer Support for application assistance.

# Folger Adam 310-4-X Electric Strike



*Works with surface  
vertical rod exit devices*

The 310-4-X vertical surface mounted series is designed for heavy duty applications on single or double doors.

The all stainless steel construction of this device makes it ideal for high abuse applications. This line of electric strikes will accommodate rim exit devices with a swinging Pullman style latchbolt.

## Features

### Standard Features

- Tamper resistant, heavy duty construction
- Constructed entirely of stainless steel for strength and corrosion resistance
- Static strength 1,500 lbs
- Dynamic strength 70 ft-lbs
- Endurance 1 million cycles
- Adjustable keeper to allow for door and frame misalignment
- Pullman keeper
- Non-handed
- Fail secure (standard)
- Plug-in connector
- SecuriCare five-year, no-fault, no questions asked warranty (Addition of SMART Pac® III extends the warranty to 10 years)

### Optional Features

- **Fail Safe**
- **LCBMA** Latchbolt & Locking Cam Monitor with Auxiliary Switch

### Accessories

- **2001-1** Wire-in bridge rectifier
- **2001M** Plug-in bridge rectifier
- **2004M** ElectroLynx® adapter
- **2005M3** SMART Pac® III
- **2006M** Plug-in buzzer



Grade 1



SecuriCare  
Warranty



Specialty  
Locksets



Burglary  
Rated

h.e.s.

ASSA ABLOY



## Specifications

### Certifications

- UL 1034, burglary-resistant listed
- UL 294 listed
- ANSI/BHMA A156.31, Grade 1
- RoHS compliant

### Electrical (Continuous Duty)

- 510 mA at 12 VDC/250 mA at 24 VDC

### 310-4-1

For both leaves of a pair of doors when spacing of the vertical rod is between 4" [101.6mm] and 4-3/4" [120.65mm]

PK keeper standard

### 310-4-2

For both leaves of a pair of doors when spacing of the vertical rod is between 4-5/8" [111.125mm] and 5-3/8" [136.5mm]

PK keeper standard

### 310-4-3

For both leaves of a pair of doors when spacing of the vertical rod is between 5-1/4" [133.35mm] and 6" [152.4mm]

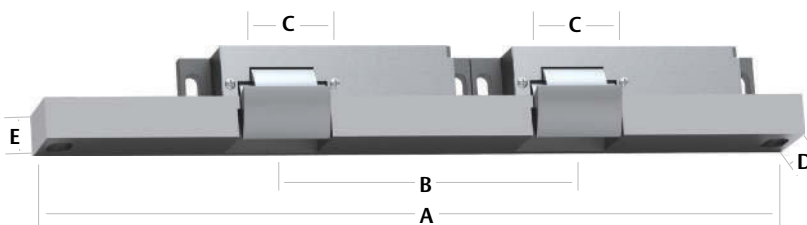
PK keeper standard

### 310-4-30

For both leaves of a pair of doors when spacing of the vertical rod is between 2-5/8" [66.675mm] and 3-3/8" [85.725mm]

PK keeper standard

## Dimensions



	A	B	C	D	E
310-4-1	13-3/8" [339.7mm]	4-3/8" [111.125mm]	1-13/16" [46mm]	1-1/2" [38.1mm]	3/4" [19mm]
310-4-2	14" [355.6mm]	5" [127mm]	1-13/16" [46mm]	1-1/2" [38.1mm]	3/4" [19mm]
310-4-3	14-5/8" [371.5mm]	5-5/8" [142.8mm]	1-13/16" [46mm]	1-1/2" [38.1mm]	3/4" [19mm]
310-4-30	12" [304.8mm]	3" [76.2mm]	1-13/16" [46mm]	1-1/2" [38.1mm]	3/4" [19mm]

**NOTE:** Double-door models are available with four different center-to-center dimensions between latchbolt keepers. Keepers are wide enough to compensate for vertical-rod exit bolts, which may be as much as 3/8" (10mm) off center-to-center dimension, either way.

**NOTE:** When using an electric strike in conjunction with a vertical-rod exit device:

1. The bottom rod of the exit device must be removed or made inoperative.
2. The latchbolt of the exit device must be the Pullman or beveled type.
3. The latchbolt must be free-latching and remain projected while the door is open. Mechanisms that hold the latchbolt retracted while the door is open, and automatically release it when the door is closed, must be removed or made inoperative.

## How to Order

SERIES	KEEPER STYLE	FAIL SECURE / SAFE	VOLTAGE	FINISH	OPTION (S)
<b>310-4-X</b>	<b>(PK)</b>	<b>F</b>	<b>- 24D</b>	<b>- 612</b>	<b>- LCBMA</b>
<b>COMPLETE PACS</b>	<b>(PK)</b> For use with 3/4" Pullman style latchbolts	<b>(blank)</b> Fail Secure (standard) <b>F</b> Fail Safe	<b>12D</b> 12 Volt <b>24D</b> 24 Volt	<b>605</b> Bright Brass <b>606</b> Satin Brass <b>612</b> Satin Bronze <b>613E</b> Dark Oxidized Satin Bronze Powder <b>629</b> Bright Stainless Steel <b>630</b> Satin Stainless Steel	<b>(blank)</b> No Monitor <b>LCBMA</b> Latchbolt & locking cam monitor with auxiliary switch
<b>1</b>	For use with vertical rod spacing between 4" and 4-3/4"				
<b>2</b>	For use with vertical rod spacing between 4-5/8" and 5-3/8"				
<b>3</b>	For use with vertical rod spacing between 5-1/4" and 6"				
<b>30</b>	For use with vertical rod spacing between 2-5/8" and 3-3/8"				

PREFIX	SERIES	KEEPER STYLE	FINISH
<b>FP</b>	<b>- 310-4-X</b>	<b>(PK)</b>	<b>- 630</b>
<b>FACELPATE ONLY</b>		<b>(PK)</b> For use with 3/4" Pullman style latchbolts	<b>605</b> Bright Brass <b>606</b> Satin Brass <b>612</b> Satin Bronze <b>613E</b> Dark Oxidized Satin Bronze Powder <b>629</b> Bright Stainless Steel <b>630</b> Satin Stainless Steel
<b>FP</b> Faceplate	<b>1</b>	For use with vertical rod spacing between 4" and 4-3/4"	
	<b>2</b>	For use with vertical rod spacing between 4-5/8" and 5-3/8"	
	<b>3</b>	For use with vertical rod spacing between 5-1/4" and 6"	
	<b>30</b>	For use with vertical rod spacing between 2-5/8" and 3-3/8"	

**NOTE:** Electric strike compatibility is determined at time of electric strike product release. ASSA ABLOY is not responsible for incompatibility of products that have changed in design or craftsmanship by their respective manufacturers. When compatibility is a concern, contact Customer Support for application assistance.

# Folger Adam 310-6-X Electric Strike

Works with concealed  
vertical rod exit devices



310-6-X



310-6-8

The 310-6-X vertical mounted series is designed for heavy duty applications on single or double doors.

The all stainless steel construction of this device makes it ideal for high abuse applications. This line of electric strikes will accommodate rim exit devices with a swinging Pullman style latchbolt.

## Features

### Standard Features

- Tamper resistant, heavy duty construction
- Constructed entirely of stainless steel for strength and corrosion resistance
- Static strength 1,500 lbs
- Dynamic strength 70 ft-lbs
- Endurance 1 million cycles
- Adjustable keeper allows for door and frame misalignment
- Non-handed
- Fail secure (standard)
- Plug-in connector
- SecuriCare five-year, no-fault, no questions asked warranty (Addition of SMART Pac® III extends the warranty to 10 years)

### Optional Features

- **Fail Safe**
- **LCBMA** Latchbolt & Locking Cam Monitor with Auxiliary Switch

### Accessories

- **2001-1** Wire-in bridge rectifier
- **2001M** Plug-in bridge rectifier
- **2004M** ElectroLynx® adapter
- **2005M3** SMART Pac® III
- **2006M** Plug-in buzzer

## Specifications

### Certifications

- UL 1034, burglary-resistant listed
- UL 294 listed
- ANSI/BHMA A156.31, Grade 1
- RoHS compliant

### Electrical (Continuous Duty)

- 510 mA at 12 VDC/250 mA at 24 VDC

### 310-6-1

For both leaves of a pair of doors when spacing of the vertical rods is between 4" [101.6mm] and 4-3/4" [120.65mm]

PK keeper standard

### 310-6-2

For both leaves of a pair of doors when spacing of the vertical rods is between 4-5/8" [117.475mm] and 5-3/8" [136.525mm]

PK keeper standard

### 310-6-3

For both leaves of a pair of doors when spacing of the vertical rods is between 5-1/4" [133.35mm] and 6" [152.4mm]

PK keeper standard

### 310-6-8

For only the active leaf of a pair

PK keeper standard

### 310-6-30

For both leaves of a pair of doors when spacing of the vertical rods is between 2-5/8" [66.7mm] and 3-3/8" [85.7mm]

PK keeper standard



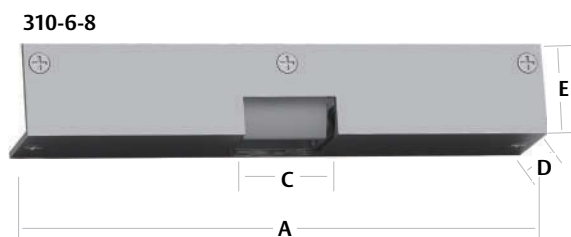
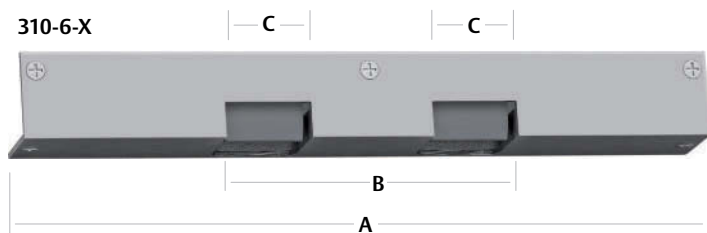
Grade 1

SecuriCare  
WarrantySpecialty  
LocksetsBurglary  
Rated

h.e.s.

ASSA ABLOY

## Dimensions



**NOTE:** Double-door models are available with four different center-to-center dimensions between latchbolt keepers. Keepers are wide enough to compensate for vertical-rod exit bolts, which may be as much as 3/8" (10mm) off center-to-center dimension, either way.

**NOTE:** When using an electric strike in conjunction with a vertical-rod exit device:

1. The bottom rod of the exit device must be removed or made inoperative.
2. The latchbolt of the exit device must be the Pullman or beveled type.
3. The latchbolt must be free-latching and remain projected while the door is open. Mechanisms that hold the latchbolt retracted while the door is open, and automatically release it when the door is closed, must be removed or made inoperative.

**NOTE:** The electric strike will not operate with a deadbolt style vertical rod.

	A	B	C	D	E
310-6-1	14-1/2" [368.3mm]	4-3/8" [111.125mm]	1-13/16" [46mm]	1-3/4" [44.45mm]	1-3/4" [44.45mm]
310-6-2	15-1/8" [384.2mm]	5" [127mm]	1-13/16" [46mm]	1-3/4" [44.45mm]	1-3/4" [44.45mm]
310-6-3	15-3/4" [400.05mm]	5-5/8" [142.8mm]	1-13/16" [46mm]	1-3/4" [44.45mm]	1-3/4" [44.45mm]
310-6-30	13-1/8" [333.4mm]	3" [76.2mm]	1-13/16" [46mm]	1-3/4" [44.45mm]	1-3/4" [44.45mm]
310-6-8	10-7/8" [276.3mm]		1-13/16" [46mm]	1-3/4" [44.45mm]	1-3/4" [44.45mm]

## How to Order

SERIES	FAIL SECURE / SAFE	VOLTAGE	FINISH	OPTION (S)
<b>310-6-X</b>	<b>F</b>	<b>-24D</b>	<b>-612</b>	<b>-LCBMA</b>
COMPLETE PACS	(blank) Fail Secure (standard)	12D 12 Volt 24D 24 Volt	612 Satin Bronze 629 Bright Stainless Steel	(blank) No Monitor LCBMA Latchbolt & locking cam monitor with auxiliary switch
1 For use with vertical rod spacing between 4" and 4-3/4"	F Fail Safe			
2 For use with vertical rod spacing between 4-5/8" and 5-3/8"				
3 For use with vertical rod spacing between 5-1/4" and 6"				
30 For use with vertical rod spacing between 2-5/8" and 3-3/8"				

PREFIX	SERIES	FINISH
<b>F</b>	<b>310-6-X</b>	<b>-612</b>
FACEPLATE ONLY		612 Satin Bronze 629 Bright Stainless Steel
FP Faceplate	1 For use with vertical rod spacing between 4" and 4-3/4" 2 For use with vertical rod spacing between 4-5/8" and 5-3/8" 3 For use with vertical rod spacing between 5-1/4" and 6" 30 For use with vertical rod spacing between 2-5/8" and 3-3/8"	

**NOTE:** Electric strike compatibility is determined at time of electric strike product release. ASSA ABLOY is not responsible for incompatibility of products that have changed in design or craftsmanship by their respective manufacturers. When compatibility is a concern, contact Customer Support for application assistance.

# Folger Adam 700 Electric Strike

*Works with cylindrical and mortise locksets without a deadbolt*



The Folger Adam 700 series is a 3-hour fire rated, industrial grade electric strike designed for extreme heavy duty applications.

The all stainless steel construction of this device makes it ideal for high abuse applications. The Folger Adam 700 Series is designed to accommodate 1/2" throw latchbolts, and the Folger Adam 712-75 is designed to accommodate 3/4" latchbolts.\*

*\*NOTE: These products will require relocation of the center line when used with mortise locks. Consult customer support regarding use with the Best 40 series.*

## Features

### Standard Features

- Tamper resistant, heavy duty construction
- Constructed entirely of stainless steel for strength and corrosion resistance
- Static strength 1,500 lbs
- Dynamic strength 70 ft-lbs
- Horizontally adjustable keeper allows for door and frame misalignment
- 1/2" [12.7mm] keeper depth (712 and 732)
- 3/4" [19mm] keeper depth (712-75 and 732-75)
- Non-handed
- Fail secure (standard)
- Plug-in connector
- SecuriCare five-year, no-fault, no questions asked warranty (Addition of SMART Pac® III extends the warranty to 10 years)

### Optional Features

- **Fail Safe**
- **LBMLCM** Latchbolt & Locking Cam Monitor

### Accessories

- **150** Strike latch guard
- **152** Universal mounting tabs
- **2001-1** Wire-in bridge rectifier
- **2001M** Plug-in bridge rectifier
- **2004M** ElectroLynx® adapter
- **2005M3** SMART Pac® III
- **2006M** Plug-in buzzer



Grade 1



SecuriCare  
Warranty



Cylindrical  
Locksets



Mortise Locks  
without  
Deadbolt



PoE  
Friendly



Fire Rated



Burglary  
Rated

h.e.s.

ASSA ABLOY

## Specifications

### Certifications

- UL 10C fire rated, 3-hour single door (fail secure only)
- UL 10C fire rated, 3-hour double door (fail secure only)
- CAN4-S104 (ULC-S104) fire door conformant
- UL 1034, burglary-resistant listed
- UL 294 listed
- ANSI/BHMA A156.31, Grade 1
- NFPA-252 fire door conformant
- ASTM-E152 fire door conformant
- RoHS compliant

### Electrical (Continuous Duty)

- 290 mA at 12 VDC/150 mA at 24 VDC
- PoE friendly

## Dimensions



### 712

For use with 1/2" [12.7mm] to 5/8" [15.9mm] throw latchbolts in hollow metal frame applications.  
1/2" [12.7mm] Keeper standard



### 712-75

For use with 1/2" [12.7mm]\*, 5/8" [15.9mm]\* or 3/4" [19mm] throw latchbolts in hollow-metal frame applications.  
3/4" [19mm] Keeper standard



### 732

For use with 1/2" [12.7mm]\* to 5/8" [15.9mm]\* throw latchbolts in wood frame applications. Features an offset solenoid.  
1/2" [12.7mm] Keeper standard



### 732-75

For use with 1/2" [12.7mm]\*, 5/8" [15.9mm]\* or 3/4" [19mm] throw latchbolts in wood frame applications. Features an offset solenoid.  
3/4" [19mm] Keeper standard

\*NOTE: When using LBMLCM with a 1/2" [12.7mm] or 5/8" [15.9mm] keeper latchbolt, detection may be dependent on the door gap.

## How to Order

SERIES	FAIL SECURE / SAFE	VOLTAGE	FINISH	OPTION (S)
<b>712</b>	<b>- F</b>	<b>- 24D</b>	<b>- 630</b>	<b>- LBMLCM</b>
<b>COMPLETE PACS</b>	<b>(blank)</b> Fail Secure (standard) <b>F</b> Fail Safe	<b>12D</b> 12 Volt <b>24D</b> 24 Volt	<b>605</b> Bright Brass <b>606</b> Satin Brass <b>612</b> Satin Bronze <b>613E</b> Dark Oxidized Satin Bronze Powder <b>629</b> Bright Stainless Steel <b>630</b> Satin Stainless Steel	<b>(blank)</b> No Monitor <b>LBMLCM</b> Latchbolt & locking cam monitor
<b>712</b> 1/2" keeper standard; hollow metal frames, for up to a 5/8" throw latchbolt				
<b>712-75</b> 3/4" keeper standard; hollow metal frames, for up to a 3/4" throw latchbolt without deadbolt				
<b>732</b> 1/2" keeper standard; wood frames, for up to a 5/8" throw latchbolt				
<b>732-75</b> 3/4" keeper standard; wood frames, for up to a 3/4" throw latchbolt without deadbolt				

SERIES	FINISH
<b>712</b>	<b>- 630</b>
<b>FACEPLATE ONLY</b>	<b>605</b> Bright Brass <b>606</b> Satin Brass <b>612</b> Satin Bronze <b>613E</b> Dark Oxidized Satin Bronze Powder <b>629</b> Bright Stainless Steel <b>630</b> Satin Stainless Steel
<b>FP Faceplate</b>	
<b>712</b> 1/2" keeper standard; hollow metal frames, for up to a 5/8" throw latchbolt	
<b>712-75</b> 3/4" keeper standard; hollow metal frames, for up to a 3/4" throw latchbolt without deadbolt	
<b>732</b> 1/2" keeper standard; wood frames, for up to a 5/8" throw latchbolt	
<b>732-75</b> 3/4" keeper standard; wood frames, for up to a 3/4" throw latchbolt without deadbolt	

NOTE: Electric strike compatibility is determined at time of electric strike product release. ASSA ABLOY is not responsible for incompatibility of products that have changed in design or craftsmanship by their respective manufacturers. When compatibility is a concern, contact Customer Support for application assistance.

# Folger Adam 742 Electric Strike

Works with all major mortise  
and cylindrical locksets with  
up to 3/4" throw latchbolt



The 742-75 series is a 3-hour fire rated, industrial grade electric strike designed for extreme heavy duty applications.

The all stainless steel construction of this device makes it ideal for high abuse applications. The Folger Adam 742-75 Series comes standard with a variety of brackets to accommodate all major mortise and cylindrical locks with up to a 3/4" throw latchbolts.\* This is the one electric strike to choose when you are uncertain of which lockset you may encounter.

*\*NOTE: Folger Adam 742-75 is designed to work with a variety of mortise locks without deadbolts, including the Schlage L9000 and ASSA ABLOY ACCENTRA™\*\* 8800 without relocating the strike prep in the frame. Consult customer support regarding use with the Best 40 series.*

## Features

### Standard Features

- Tamper resistant, heavy duty construction
- Constructed entirely of stainless steel for strength and corrosion resistance
- Static strength 1,500 lbs
- Dynamic strength 70 ft-lbs
- Endurance 1 million cycles
- Horizontally adjustable keeper to allow for door and frame misalignment
- Deadlatch tabs included
- 3/4" [19mm] keeper depth
- Non-handed
- Fail secure (standard)
- Plug-in connector
- Full keeper shim
- SecuriCare five-year, no-fault, no questions asked warranty (Addition of SMART Pac® III extends the warranty to 10 years)

### Optional Features

- **Fail Safe**
- **LBMLCM** Latchbolt & Locking Cam Monitor

### Accessories

- **150** Strike latch guard
- **152** Universal mounting tabs
- **2001-1** Wire-in bridge rectifier
- **2001M** Plug-in bridge rectifier
- **2004M** ElectroLynx® adapter
- **2005M3** SMART Pac® III
- **2006M** Plug-in buzzer



Grade 1

SecuriCare  
WarrantyCylindrical  
LocksetsMortise Locks  
without  
DeadboltPoE  
Friendly

Fire Rated

Burglary  
Rated

h.e.s.

ASSA ABLOY

\*\* Formerly Yale Commercial

## Specifications

### Certifications

- UL 10C fire rated, 3-hour single door (fail secure only)
- UL 10C fire rated, 1-1/2 hour double door (fail secure only)
- CAN4-S104 (ULC-S104) fire door conformant
- UL 1034, burglary-resistant listed
- UL 294 listed
- ANSI/BHMA A156.31, Grade 1
- NFPA-252 fire door conformant
- ASTM-E152 fire door conformant

### Electrical (Continuous Duty)

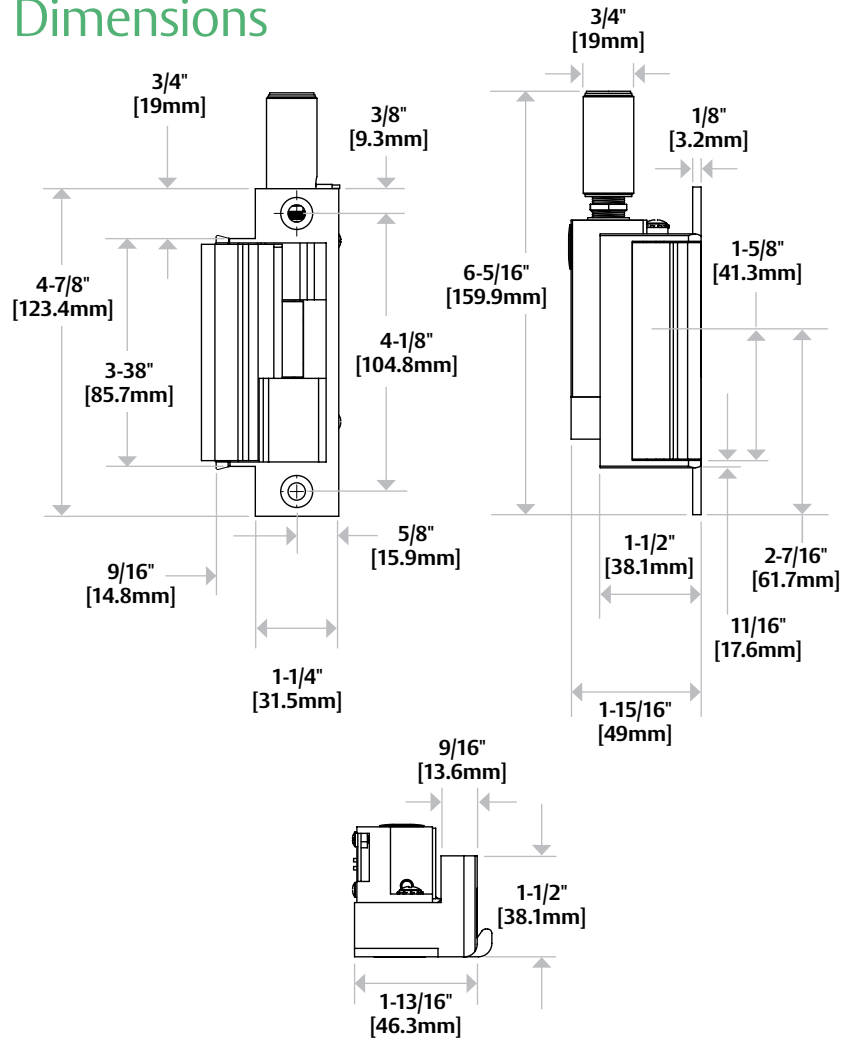
- 290 mA at 12 VDC/150 mA at 24 VDC
- PoE friendly

### 742-75

For use with 1/2" [12.7mm]\*, 5/8" [15.9mm]\* or 3/4" [19mm] throw latchbolts in hollow metal frame applications

\*NOTE: When using LBMLCM with a 1/2" [12.7mm] or 5/8" [15.9mm] keeper latchbolt detection may be dependent on the door gap.

## Dimensions



## How to Order

SERIES	FAIL SECURE / SAFE	VOLTAGE	FINISH	OPTION (S)
<b>742-75</b>	<b>- F</b>	<b>- 12D</b>	<b>- 613</b>	<b>- LBMLCM</b>
<b>COMPLETE PACS</b>	(blank) Fail Secure (standard) F Fail Safe	12D 12 Volt 24D 24 Volt	605 Bright Brass 606 Satin Brass 612 Satin Bronze 613E Dark Oxidized Satin Bronze Powder 629 Bright Stainless Steel 630 Satin Stainless Steel	(blank) No Monitor LBMLCM Latchbolt & locking cam monitor
742-75 Hollow metal frames, for up to a 3/4" throw latchbolt without deadbolt				

FAIL SECURE / SAFE	SERIES	FINISH
<b>- F</b>	<b>742-75</b>	<b>- 613</b>
<b>FACEPLATE ONLY</b>		605 Bright Brass
FP Faceplate	742-75 Hollow metal frames, for up to a 3/4" throw latchbolt without deadbolt	606 Satin Brass 612 Satin Bronze 613E Dark Oxidized Satin Bronze Powder 629 Bright Stainless Steel 630 Satin Stainless Steel

NOTE: Electric strike compatibility is determined at time of electric strike product release. ASSA ABLOY is not responsible for incompatibility of products that have changed in design or craftsmanship by their respective manufacturers. When compatibility is a concern, contact Customer Support for application assistance.

# Accessories

ITEM	ACCESSORY	DESCRIPTION
	<b>HESCUT-MTK</b> Metal template kit	<ul style="list-style-type: none"> <li>For installing the 1006, 1500, 1600, 4500, 5000, 5200, 7000 and 7501 electric strikes.</li> <li>4-7/8" [123.8mm] ANSI jamb preparation only.</li> </ul>
	<b>9000-MTK</b> Metal template kit	<ul style="list-style-type: none"> <li>For installing the 9400, 9500, 9600, 9700, and 9800 surface mounted electric strikes.</li> <li>Magnetic backing.</li> </ul>
	<b>9000 Series</b> Spacer Plates	<ul style="list-style-type: none"> <li>Designed to accommodate various door gaps by offsetting the strike from the frame.</li> <li>9000-108 - 1/8" Spacer Plate</li> <li>9000-116 - 1/16" Spacer Plate</li> <li>Available in 613E, 628E, 630, and BSP finish to match frame and/or 9000 Series Electric Strike finishes</li> </ul>
	<b>SMB</b> Surface mounting box	<ul style="list-style-type: none"> <li>Installs on inactive door of pair of doors to accommodate rim-exit devices. To be used with the 7000 (783S and 789S), 9400, 9500, 9600, 9700 and 9800 electric strikes series.</li> <li>Available in black finish only.</li> </ul>
	<b>150</b> Strike latch guard	<ul style="list-style-type: none"> <li>Stainless steel. Installed at the edge of the door to cover the lock and electric strike.</li> </ul>
	<b>152</b> Universal mounting tabs	<ul style="list-style-type: none"> <li>Mount inside hollow metal and aluminum jambs.</li> </ul>
	<b>157</b> Torx® screws	<ul style="list-style-type: none"> <li>Two (2) 12-24 UNC x 3/4" [19mm] FH Tamper resistant Pin-in-Torx® screws.</li> </ul>



# Accessories

ITEM	ACCESSORY	DESCRIPTION
	<b>157D</b> Torx® security bit	<ul style="list-style-type: none"> <li>Tamper resistant Torx® R20 insert bit.</li> </ul>
	<b>310-2-3</b> Astragal strike latch guard	<ul style="list-style-type: none"> <li>Designed to prevent tampering with the latchbolt, and the latchbolt keeper. Prevents one door from being opened before the other.</li> </ul>
	<b>2001-1</b> Wire-in bridge rectifier	<ul style="list-style-type: none"> <li>Converts AC to unfiltered DC. Rated 35 V, 2 Amp.</li> <li>Not recommended for 1006 Electric Strike.</li> </ul>
	<b>2001M</b> Plug-in bridge rectifier	<ul style="list-style-type: none"> <li>Converts AC to unfiltered DC. Rated 35 V, 1 Amp.</li> <li>Includes MOV and self-resettable fuse</li> <li>Not recommended for 1006 Electric Strike.</li> </ul>
	<b>2004M</b> ElectroLynx® adapter	<ul style="list-style-type: none"> <li>Adapter between existing electric strikes and ElectroLynx® connectors.</li> </ul>
	<b>2005M3</b> SMART Pac® III <i>Addition of Smart Pac to any electric strike extends the 5 year no-fault warranty to a 10 year no-fault warranty.</i>	<ul style="list-style-type: none"> <li>In-line power controller able to receive input voltages from 12- 32V AC or DC. Built-in bridge rectifier. Reduces initial voltage by 25% to extend the life of the electric strike.</li> <li>Includes built-in resettable fuse, MOV, voltage regulation and input voltage level indicating and unit status.</li> <li>For use with 1006, input voltage must be DC.</li> </ul>
	<b>2006M</b> Plug-in buzzer	<ul style="list-style-type: none"> <li>Audible operation indicator at 24 VDC, 75db at 11-3/4".</li> </ul>
	<b>2007M</b> Plug-in pigtail connectors	<ul style="list-style-type: none"> <li>With 4" wire leads.</li> </ul>

# Compatibility Chart

HES			SECURITRON	ADAMS RITE	VON DUPRIN	RCI	TRINE	SDC
COMPLETE ONE BOX SOLUTIONS	STANDARD MODELS	FOLGER ADAM MODELS						
1006CS, 1006CLB	1006J	712-75, 732-75			VD3140, 6211 6400	F2164	4100	55
1006CS, 1006CLB	1006K, 1006KD, 1006KM	742-75			6210 6400	F2164	4100	
1006CAS	1006A, 1006AD, 1006AM							
1006CS, 1006CDB	1006N, 1006ND, 1006NM				6210	F2164		
1006CAS	1006T, 1006TD							
1006CS, 1006CDB	1006H, 1006HD, 1006HM					F2164		
1006CS, 1006CDB	1006E							
1006CS	1006Z							
	1006R							
	1006J2	310-2, 310-2 3/4			6215, 6224, 6226			
1006CDB	1006H-2	310-3-1			6216			
4500C		742-75			6210	F2164	4100	
5000C	5000-501			7140, 7440	4200, 5100	L6514		25-4U
5000C	5000-501A			7100, 7160, 7400	4200, 5100	L6504		25-4U
	5000-502			7110, 7410	5100	L6508		
	5000-503			7130, 7430		L6507		
	5000-504			7111, 7411				
5200C	5200-501				5100	S6514, 7114, 7314	2012	45-4S
5200C	5200-501A				5100	S6504, 7104, 7304		45-4R
	5200-502				5100	S6508, 7108, 7308	2002	45-7R
	5200-503					S6507, 7107, 7307	2678	145-6R
	5200-504							

# Compatibility Chart

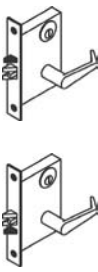

HES			SECURITRON	ADAMS RITE	VON DUPRIN	RCI	TRINE	SDC
COMPLETE ONE BOX SOLUTIONS	STANDARD MODELS	FOLGER ADAM MODELS						
7000C	7000-791	712, 732		7400, 7401, 7440				
7000C	7000-792			7410, 7411				
				74R1				
				74A				
				74R2				
7501	7501							
8000C	8000-801, 8000-801A, 8300-801, 8300-801A		UNL					
	8000-801E, 8000-802, 8000-803, 8300-801E, 8300-802, 8300-803		UNL					
	8500-851M, 8500-852K, 8500-852L, 8500-852M		MUNL					
9400	9400	310-4		74R2		0563	4850	
9500	9500				6300	F0162	4800F	
9600	9600			74R1		0162	4800	
		310-20B			6222, 6225			
		310-4			6212, VD3146			
9700	9700	310-45					4801	
		310-4-1, 310-4-2, 310-4-3, 310-4-30						
		310-6-1, 310-6-2, 310-6-3, 301-6-8, 310-6-30						
9800				7800				

NOTE: This chart is offered as a convenience only. Reference should be made to the individual manufacturer's catalogs for complete data as to exact equivalents. There may be some variation in physical size, electrical characteristics and durability between strikes of different manufacturers. HES assumes no liability for differences between items compared. When compatibility is a concern, contact Customer Support at 800-626-7590 for application assistance.

NOTE: The 109 trim adapter may be required for a neater appearance in retrofit applications where the strike lip dimensions exceed 3-3/8" [85.725mm].

NOTE: This chart details the and Folger Adam products that can replace competitors products but not necessarily the reverse.

# Lock Cross Reference


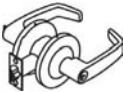

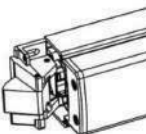
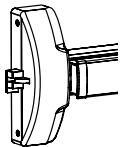
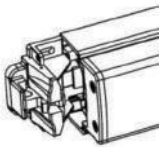
ANSI LOCK	DESCRIPTION	MANUFACTURER	ELECTRIC STRIKES
	<b>Mortise locksets</b> Mortise lockset without a deadbolt	Arrow, Baldwin, Best, Marks, Omnia, PDQ, Securitron	1006CS, 1600CS, 1006CLB, 1600CLB, 1006KM, 16001LB, 1500C, 4500C, Securitron MUNL
		Corbin Russwin ML2000 and Arrow, Securitron	1006CS, 1600-CS, 1006CLB, 1600-CLB, 1006-KM, 1600-1LB, 1500C, 4500C, 8500-852K, Folger Adam 742-75, Securitron MUNL
		Sargent 7700 and 8100, Schlage L9000, Securitron	1006CS, 1600-CS, 1006CLB, 1600-CLB, 1006-KD, 1600-1LB, 1500C, 4500C, 8500-851M, (Sargent 8100 only), 8500-852L, Folger Adam 742-75, Securitron MUNL
		Sargent 7900, 8200, and 9200, Securitron	1006CS, 1600-CS, 1006CLB, 1600-CLB, 1006-KM, 1600-1LB, 1500C, 4500C, 8500-851M, 8500-852L, Folger Adam 742-75, Securitron MUNL (requires STK-1 tab kit)
		Accurate, Falcon, Kaba Ilco/Unican, ASSA ABLOY ACCENTRA™** 8700 (manufactured after 2005), ASSA ABLOY ACCENTRA™** 8800, Securitron	1006CS, 1600-CS, 1006CLB, 1600-CLB, 1006-KD, 1600-1LB, 1500C, 4500C, 8500-852M, Securitron MUNL
	<b>Mortise locksets</b> Mortise lockset with a 1" [25.4mm] deadbolt	Accurate, Almet, Arrow, Baldwin, Best, Marks, Corbin Russwin, Falcon, Omnia, PDQ, Schlage, Securitron	1006CS*, 1600-CS*, 1006CDB*, 1600-CDB* 1006-HD*, 1006-ND*, 1006CAS
		Sargent, ASSA ABLOY ACCENTRA™**, Securitron	1006CS*, 1600-CS*, 1006CDB*, 1600-CDB* 1006-HD*, 1006-ND*, 1006CAS

\*Not intended for continuous recapture of a 1" [25.4mm] deadbolt - use 1006CAS

\*\* Formerly Yale Commercial

NOTE: This chart is offered as a resource only. Electric strike compatibility is determined at time of electric strike product release. HES is not responsible for incompatibility of products that have changed in design or craftsmanship by their respective manufacturers. When compatibility is a concern, contact Customer Support at 800-626-7590 for application assistance.

# Lock Cross Reference

ANSI LOCK	DESCRIPTION	MANUFACTURER	ELECTRIC STRIKES
	<b>Cylindrical lockset</b> Latchbolt for aluminum stile doors	All manufacturers	5000C, 5200C, 1500C, 7000C, 1006-J, 1600-1LB, Securitron UNL
	<b>Cylindrical lockset</b> Cylindrical lockset up to 5/8" [15.875mm] throw	All manufacturers	1006CS, 1600-CS, 1006CLB, 1600-CLB, 1006-J, 1600-1LB, 1500C, 4500C, 5000C, 7000C, 8000C, 8300C, Folger Adam 712, 310-2, Securitron UNL, Vista V3 (now Alarm Controls AES300)
	<b>Cylindrical lockset</b> Cylindrical lockset up to 3/4" [19mm] throw	All manufacturers	1006CS, 1600-CS, 1006CLB, 1600-CLB, 1006-J, 1600-1LB, 1500C, 4500C, 5200C, 7501, Folger Adam 310-75, 712-75
	<b>Rim mounted</b> Pullman rim mounted exit device up to 1/2" [12.7mm] throw	All manufacturers	9400, 7000-789S
	<b>Rim mounted</b> Pullman rim mounted exit device up to 3/4" [19mm] throw	All manufacturers	9500, 9600, 7000-783S, 7000-786S, Folger Adam 310-4
	<b>Rim mounted</b> Squarebolt® style rim mounted exit devices	Corbin Russwin (SecureBolt®), ASSA ABLOY ACCENTRA™*** (SquareBolt®)	9700, Folger Adam 310-4S
	<b>Rim mounted</b> Adams Rite Starwheel and Interlocking Rim Exit Devices	Adams Rite®	9800

- And Folger Adam electric strikes are designed to be installed in accordance with the ANSI/BHMA A156.31 4-7/8" [123.8mm] jam preparation. \*\* Formerly Yale Commercial
- When accommodating a cylindrical lock, the electric strike is to be installed centerline to centerline.
- When accommodating a mortise lock, the centerline of the electric strike is to be installed 3/8" [9.525mm] above the centerline of the mortise lock, except as noted for individual strikes. Folger Adam 712 Series and 310 Series will need special alignment with used with a mortise lock.
- Electric strikes are all non-handed and designed for installation in hollow metal, concrete filled metal, aluminum and wood jambs.
- Folger Adam electric strikes are all non-handed and designed for installation in hollow metal, aluminum and wood jambs.

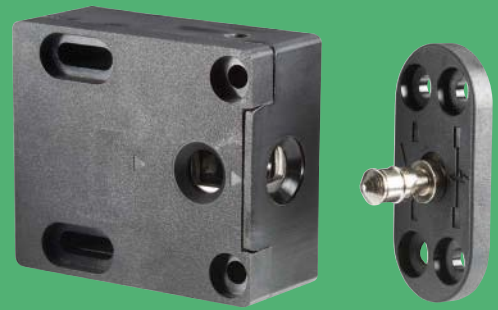




# Cabinet Locks

# 610 Cabinet Lock

## Electromechanical Cabinet Lock



The versatile, compact, cost effective cabinet lock to secure drawers or doors.

The 610 Cabinet Lock can be triggered by a simple relay as part of an access control system or with a stand-alone keypad. The 610 is available with or without locked state monitoring and has over 200 lbs of holding force.

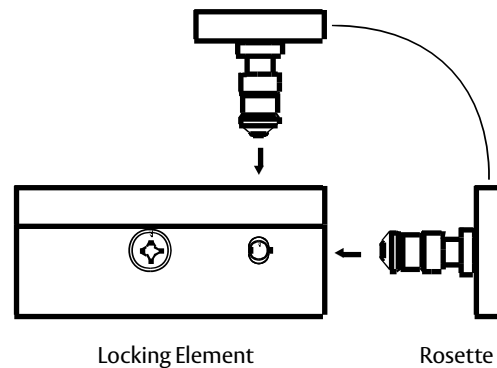
## Features

### Standard Features

- Field selectable fail secure/fail safe
- Compact design fits most drawers and cabinets
- Installation either at the side or front of cabinets
- SecuriCare three-year, no-fault, no questions asked warranty

### Optional Features

- **LM** Locked state monitoring



SecuriCare  
Warranty



Swinging  
Door



Drawers



Field Selectable  
(Fail secure  
/Fail safe)



Dual Voltage  
12/24



PoE  
Friendly

hes.

ASSA ABLOY



## Specifications

### Electrical

- Dual Voltage 12/24 VDC/VAC
- Monitored contact rating 25 V / 1 A
- 260 mA at 12 VDC / 130 mA at 24 VDC  
140 mA at 12 VAC / 70 mA at 24 VAC

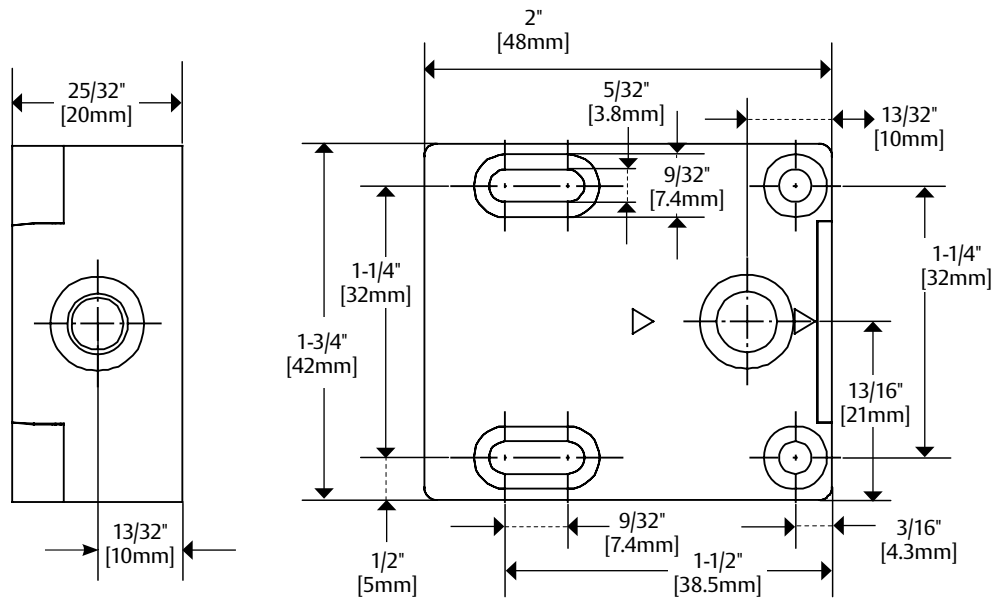
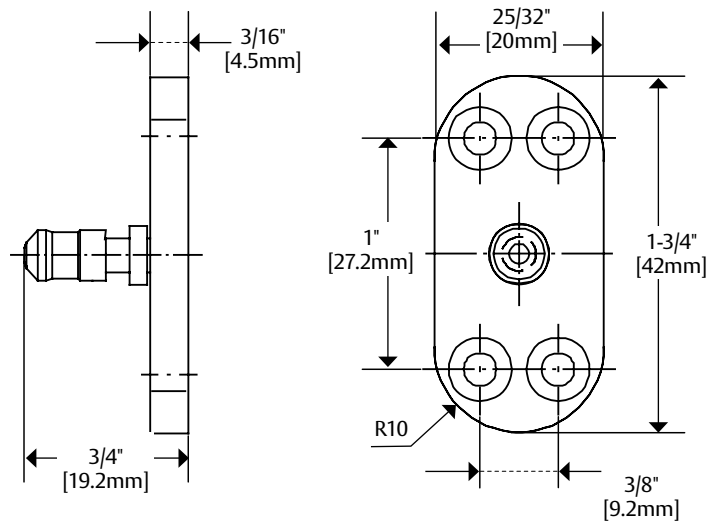
### Holding Force

- Static Strength 200 lbs

### Environmental

- Operational Temperature 14° to 104° F [-10° to 40° C]
- IP20 Rated
- Indoor Use

## Dimensions



## How to Order

SERIES	OPTION (S)
610	- LM
610 Cabinet Lock	(blank) No Monitoring LM Locked state monitoring

# 660 Cabinet Lock

*Electromechanical Cabinet Lock*



The strongest surface mounted, multi-purpose locking solution.

The 660 Cabinet Lock provides over 1,000 lbs of static holding force and offers options such as locked state monitoring and a preload release function for maximum flexibility for the most challenging conditions. Strong, convenient and flexible, it is ideal for corporate and government applications including lockers, cabinets and display cases.

## Features

### Standard Features

- All metal construction
- Adjustable mounting brackets with final lockdown feature
- 6 foot cable lead
- Fail Secure (standard)
- SecuriCare three-year, no-fault, no questions asked warranty

### Optional Features

- **Preload** (up to 15 lbs)
- **LBSM** Locked state monitoring
- **LBSM Preload** Locked state monitoring with preload

### Accessories

- **KO** Key override

# Specifications

## Certifications

- RoHS compliant

## Electrical

- 12 or 24 VDC ± 10%
  - 240 mA at 12 VDC / 120 mA at 24 VDC (continuous duty)
  - 700 mA at 12 VDC / 350 mA at 24 VDC (preload option)
- Monitored contact rating 25 V / 1 A

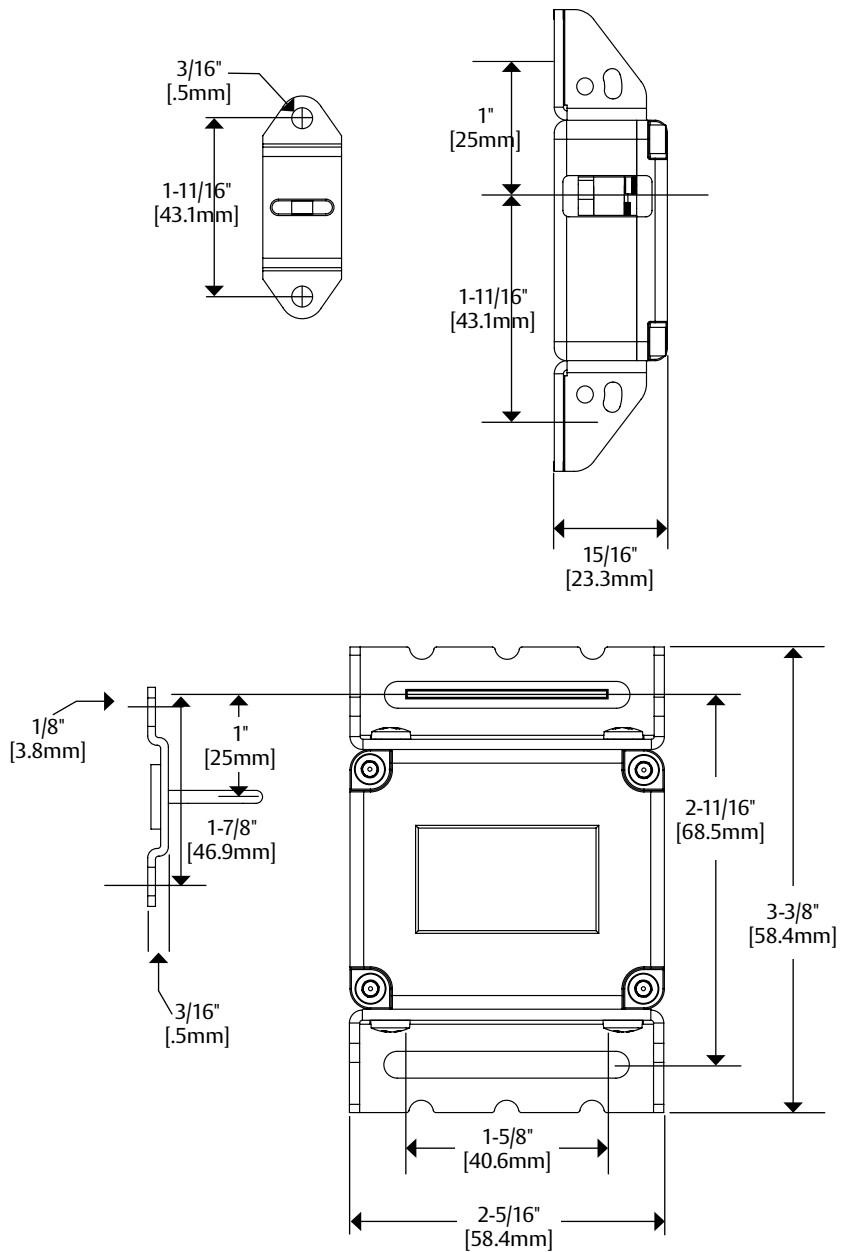
## Holding Force

- Static strength 1,000 lbs
- Dynamic strength over 100 ft-lbs

## Environmental

- Indoor use

# Dimensions



# How to Order

SERIES	VOLTAGE	OPTION (S)
<b>660</b>	<b>- 12V</b>	<b>- LBSM - Preload</b>
660 Cabinet Lock	12V 12 Volt 24V 24 Volt	(blank) No preload, no monitoring Preload Up to 15 lbs LBSM Locked state monitoring LBSM-20PK Locked state monitoring 20 Pack LBSM-Preload Locked state monitoring with preload

# KP20 Cabinet Lock

*Stand-Alone Electronic Access  
Control Keypad Cabinet Lock*



The cost effective solution for stand-alone keypad access control to secure drawers or doors.

The battery operated KP20 Cabinet Lock is the flexible, low cost cabinet locking solution for low to medium security applications with 75 lbs of holding force.

## Features

### Standard Features

- Stand-alone access control
- No audit trail
- Public (one-time) or Private (continuous) mode configuration options
- 12 button keypad
- LEDs indicate valid/invalid access
- Supports one (4 – 12 digit) master code
- Supports one (4 – 12 digit) user code
- Aluminum die-cast construction
- Non-handed
- Installs on wood or metal cabinet drawers or doors 1/16" to 7/8" [1.5 – 22.2 mm] thick
- Micro USB for emergency override upon loss of power
- SecuriCare three-year, no-fault, no questions asked warranty

### Optional Features

- Supports 3rd party locking cams (i.e. hook)



SecuriCare  
Warranty



Swinging  
Door



Drawers



Battery  
Backup

h.e.s.

ASSA ABLOY

## Specifications

### Certifications

- FCC Part 15 & Industry Canada compliant
- EU/CE Mark (EN 300 & 301)
- RoHS compliant

### Electrical

- 30,000 cycles
- 3 x AAA alkaline batteries (sold separately)
- External emergency power through micro USB

### Holding Force

- Static strength 75 lbs

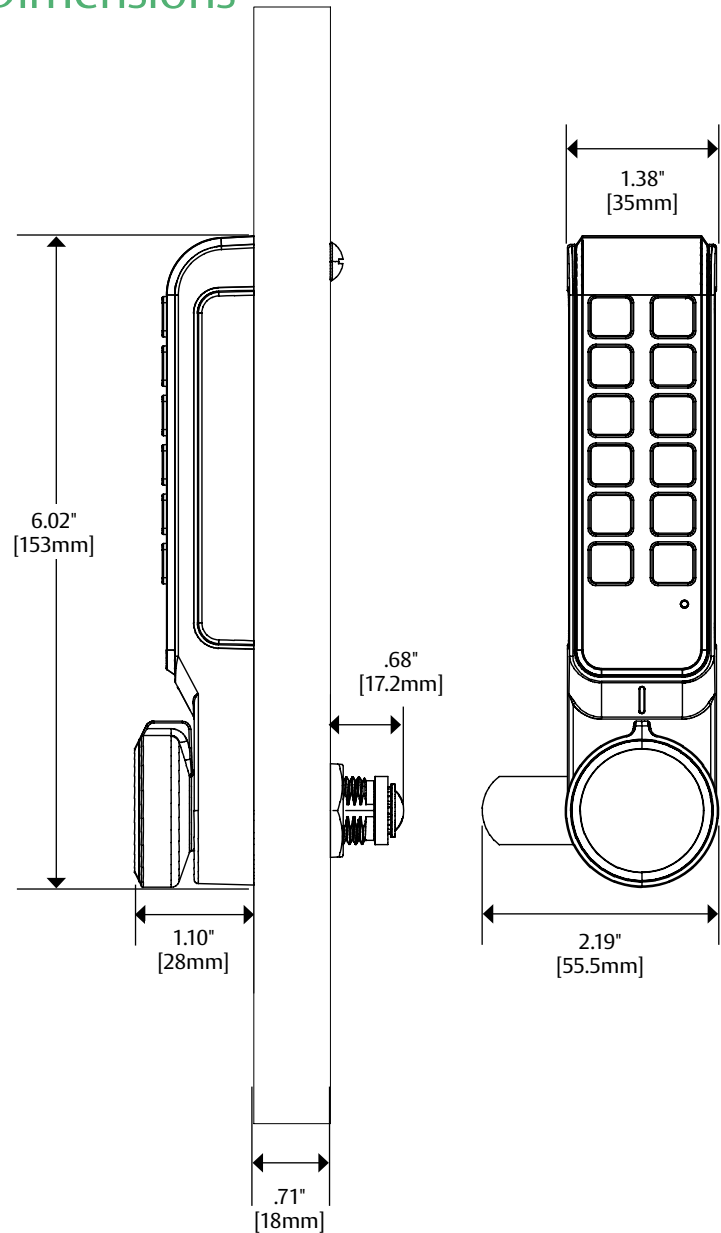
### Environmental

- Operating Temperature: 32° to 122°F [0° to 50°C]
- Humidity: 0 to 90% RH
- Indoor use

### Keypad Technology

- 12-Button Keypad
  - » One master code (4 – 12 digit)
  - » One user code (4 – 12 digit)

## Dimensions



# KS200 Server Cabinet Lock

*Integrated Wired Electronic  
Access Control Swing Handle  
Server Cabinet Locks*



Designed to integrate seamlessly with existing access control systems and protect critical assets from intrusion and expensive downtime.

Designed for use with standard 150 x 25 mm cutouts, the KS200 Server Cabinet Locks come standard with lock monitoring and utilizes an SFIC (Small Format Interchangeable Core) mechanical key override. An additional optional extended DPS monitoring sensor can be connected to ensure that the cabinet is closed, locked and secure.

The hard powered KS200 features HID multiCLASS SE® contactless card technology.

## Features

### Standard Features

- Hard Wired Wiegand Communication
- Integrated HID Mobile Access Enabled multiCLASS SE RFID Card Reader with NFC Mobile Access Enabled
- Integrated Locked State and (Optional) Door Status Monitoring
- (Optional) Auxiliary Lock Output
- Cam Activated
- Non-Handed
- Mechanical 6 or 7-pin SFIC Key Override (Includes compatibility with MEDECO XT Intelligent Keys)
- Black Finish
- SecuriCare three-year, no-fault, no questions asked warranty



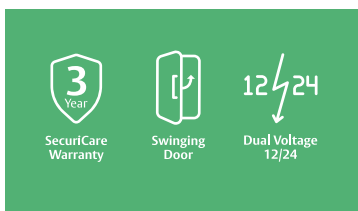
### Accessories

- **SFIC** Mechanical Key Override (sold separately)
  - » **SFIC** MEDECO X4 SFIC Cylinder & 2 keys (1 control, 1 user)
  - » **SFIC-BC** KS SFIC Blank, Black Plastic Core
  - » Compatible for use with **Medeco XT** Intelligent Keys & Cores
- **KS-DPS** Surface Mount DPS (external)
- **KS-CAM38** CAM: 38MM-1
- **KS-CAM45** CAM: 45MM-5
- **CBL6-QC12** K200/KS200 Lock Side Interface Cable: 6 foot, 12 conductor and Molex both ends
- **CBL12-QC12** K200/KS200 Lock Side System Interface Cable: 12 foot, 12 conductor and Molex one end, pinned one end
- **WT-1** Wiegand Test Box with LED Indicators
- **WT-2** Wiegand Test Box with LCD Backlit Display and LED Indicators

## Specifications

### Certifications

- Patents Pending & D725,992
- FCC Part 15 & Industry Canada (ICES) Compliant
- UL Listed (UL294 7th Edition)
- CE Certified (Compliant with Directive 2014/53/EU)
- RoHS3 Compliant
- CA Prop 65
- WPC Registered (Equipment Type Approval under O.M. No. ETA-WPC/Policy/2018-19 dated 26 February 2019)



# KS200 Series Cabinet Lock

## Electrical

- Dual voltage 12/24 VDC
- 130 mA at 12 or 24 VDC (peak)

## Holding Force

- Static strength 350 lbs

## Environmental

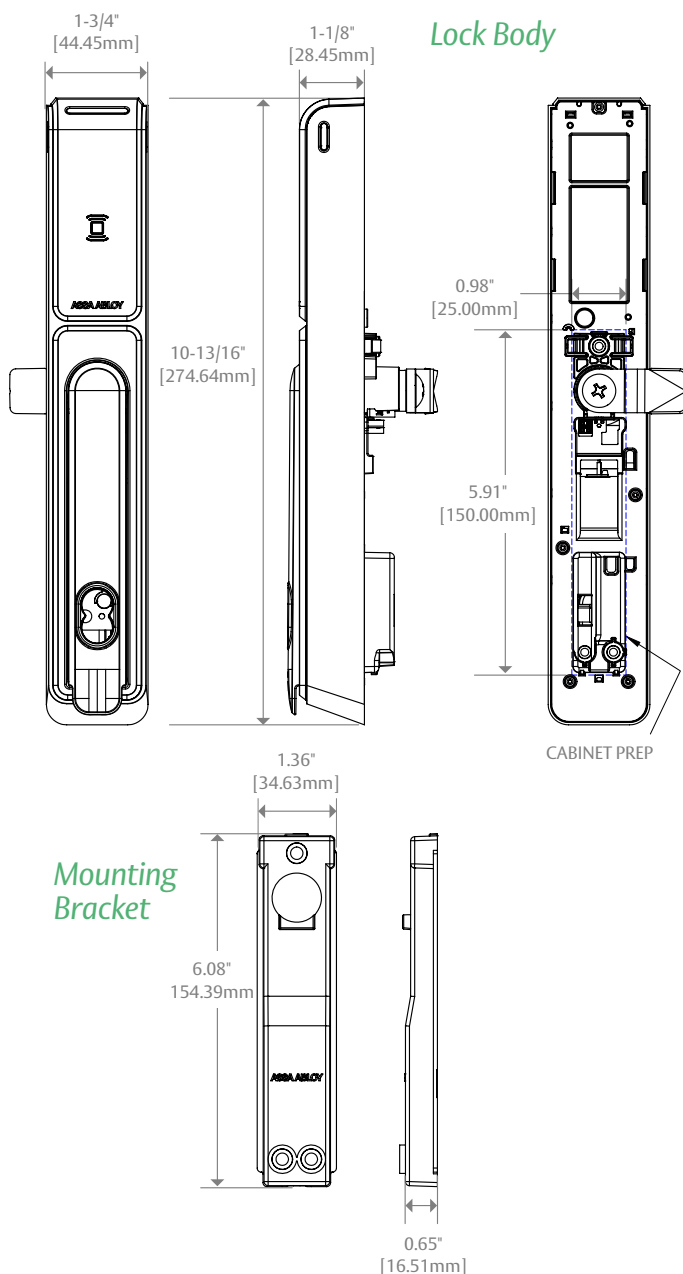
- Operating Temperature: 32° to 122°F [0° to 50°C]
- Indoor Use Only

## Card Technology

- Supports 13.56 MHz & 125 kHz credentials
- **High Frequency (13.56 MHz)**
  - » HID iCLASS®
  - » HID iCLASS SE® (SIO®-enabled)
  - » HID iCLASS® Seos®
  - » ISO 14443b UID
  - » MIFARE Classic™
  - » MIFARE DESfire™ EV1
  - » MIFARE DESfire™ SE
- **Low Frequency (125 kHz)**
  - » HID® Prox
  - » EM4102
  - » AWID Prox
- NFC Mobile Access Enabled

\*Authorization needed from Transact

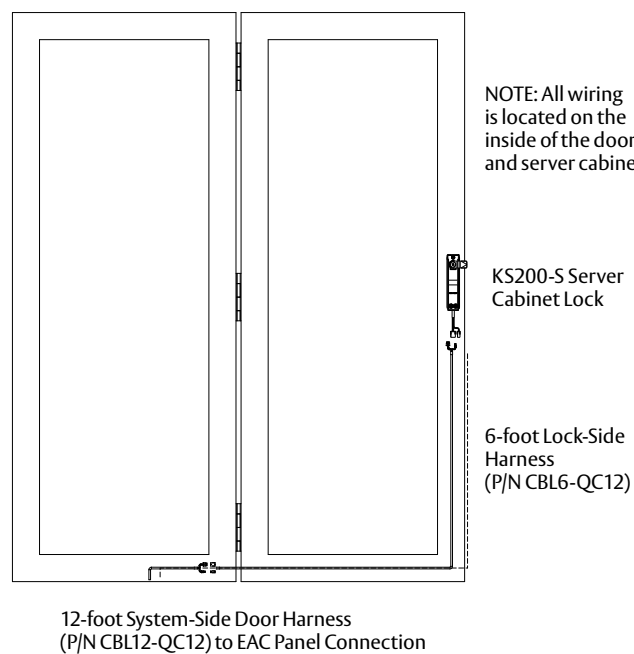
## Dimensions



PART NO.	CAM	CAM LENGTH	CAM DEPTH
Included	38mm — 4 (standard)	1-1/2" [38 mm]	1" [25.4 mm]
KS-CAM38	38mm — 1 (optional)	1-1/2" [38 mm]	1-1/10" [28 mm]
KS-CAM45	45mm — 5 (optional)	1-3/4" [45 mm]	7/10" [18 mm]

## Server Cabinet

## Door



See next page for How To Order information

## KS200 Series Cabinet Lock

## How to Order

SERIES	COMMUNICATION	MODEL	CARD TECHNOLOGY			COLOR	KEYING OPTIONS	
<b>KS</b>	<b>200</b>	<b>-S</b>	<b>-IPS</b>			<b>-B</b>	<b>K1</b>	
Server Cabinet Lock	200 Wiegand	640 Obsolete	STANDARD	IPS	HID multiCLASS SE	B Black	_ No SFIC or Blank Plastic Core (Standard) BC SFIC blank (Black plastic core) K1 MEDECO X4 SFIC Cylinder (DGV Commercial Keyway, Keyed Alike) with 2 Keys (1 Control & 1 User)	
		S Swing Handle 150x25 mm Cam Activated						
			ICLASS ELITE (Restricted)*	IPEXXXXX	HID iCLASS Elite			HID iCLASS Elite Keys (ICEXXXX)*, HF Only
				IPV040	RFID Only (HID iCLASS SE) PIV-I / 40 Bit FASC-N			40 Bit FASC-N message length: System + Credential (parity automatically removed), HF Only
				IPV064	RFID Only (HID iCLASS SE) PIV-I / 64 Bit FASC-N			64 Bit FASC-N message length: Agency + System + Credential + Series + Issue (parity automatically removed), HF Only
			PIV-I	IPV075	RFID Only (HID iCLASS SE) PIV-I / 75 Bit FASC-N			75 Bit FASC-N message length: Agency + System + Credential + Expiration Date (parity automatically removed), HF Only
				IPV128	RFID Only (HID iCLASS SE) PIV-I / 128 Bit FASC-N			128 Bit FASC-N message length: Agency + System + Credential + Series + Issue + Pers Iden + Org/Ind + Pers/Org (parity automatically removed), HF Only
			IPV200	RFID Only (HID iCLASS SE) PIV-I / 200 Bit FASC-N	200 Bit complete FASC-N number (parity included), HF Only			

\*HID Authorization form will need to be filled out and signed by the end user who has authority of the ELITE KEY.



# KS210 Server Cabinet Lock

OSDP Access Control Swing Handle  
Server Cabinet Locks



Designed to integrate seamlessly with existing access control systems using OSDP to protect critical assets.

Designed for use with standard 150 x 25 mm cutouts, the KS210 Server Cabinet Locks come standard with lock monitoring and utilizes an SFIC (Small Format Interchangeable Core) mechanical key override. An additional optional extended DPS monitoring sensor can be connected to ensure that the cabinet is closed, locked and secure.

The KS210 utilizes Open Supervised Device Protocol (OSDP) to achieve end to end encryption for high security applications.

The KS210 features HID multiCLASS SE® contactless card technology with NFC and BLE.



## Features

### Standard Features

- KS210 (RS-485 OSDP) Communication
- 2 Standard Configurations
  - » 8 - Wire operation
  - » 4 - Wire operation (OEM Dependent)
- Integrated HID Mobile Access Enabled multiCLASS SE RFID Card Reader with Bluetooth
- Integrated Locked State and (Optional) Door Status Monitoring
- Cam Activated
- Non-Handed
- Mechanical 6 or 7-pin SFIC Key Override (Includes compatibility with MEDECO XT Intelligent Keys)
- Black Finish
- SecuriCare three-year, no-fault, no questions asked warranty

### Accessories

- **SFIC** Mechanical Key Override (sold separately)
  - » **SFIC** MEDECO X4 SFIC Cylinder & 2 keys (1 control, 1 user) - Wire operation
  - » **SFIC-BC** KS SFIC Blank, Black Plastic Core
  - » Compatible for use with **Medeco XT** Intelligent Keys & Cores
- **KS-DPS** Surface Mount DPS (external)
- **KS-CAM38** CAM: 38MM-1
- **KS-CAM45** CAM: 45MM-5

- **CBL6-QC12** Lock Side Interface Cable: 6 foot, 12 conductor and Molex both ends (used for normal operation)
- **CBL12-QC12** Lock Side System Interface Cable: 12 foot, 12 conductor and Molex one end, pinned one end (used for normal operation)
- **CBL6-QC4** Lock-Side Interface Cable: 6 foot, 4 conductor and Molex both ends (used with 4-wire integration)
- **CBL12-QC4** System-Side Interface Cable: 12 foot, 4 conductor and Molex both ends (used with 4-wire integration)
- **KS-OSDP-DB** OSDP Distribution Box



## Specifications

### Certifications

- Patents Pending & D725,992
- FCC Part 15 & Industry Canada (ICES) Compliant
- UL Listed (UL294 7th Edition)
- CE Certified (Compliant with Directive 2014/53/EU)
- RoHS3 Compliant
- CA Prop 65
- WPC Registered (Equipment Type Approval under O.M. No. ETA-WPC/Policy/2018-19 dated 26 February 2019)

## KS210 Series Cabinet Lock

### Electrical

- Dual voltage 12/24 VDC
- 130 mA at 12 or 24 VDC (peak)

### Holding Force

- Static strength 350 lbs

### Environmental

- Operating Temperature: 32° to 122°F [0° to 50°C]
- Indoor Use Only

### Configuration

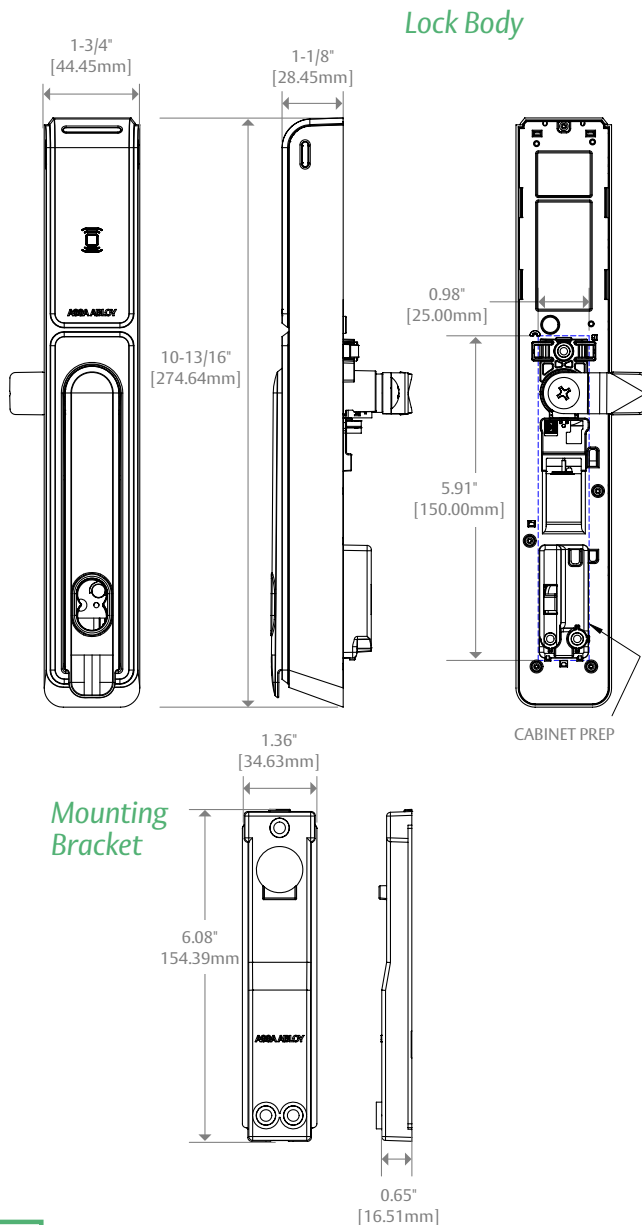
- To be used with HID Reader Manager - Android phones ONLY

### Card Technology

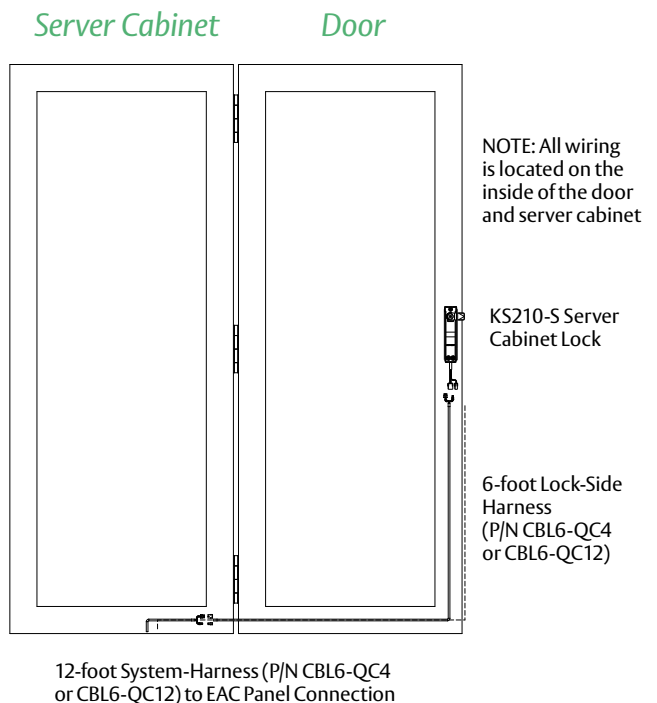
- Supports 13.56 MHz & 125 kHz credentials
- **High Frequency (13.56 MHz)**
  - » HID iCLASS®
  - » HID iCLASS SE® (SIO®-enabled)
  - » HID iCLASS® Seos®
  - » ISO 14443b UID
  - » MIFARE Classic™
  - » MIFARE DESfire™ EV1
  - » MIFARE DESfire™ SE
- **Low Frequency (125 kHz)**
  - » HID® Prox
  - » EM4102
  - » AWID Prox

\*Authorization needed from Transact

## Dimensions



PART NO.	CAM	CAM LENGTH	CAM DEPTH
Included	38mm — 4 (standard)	1-1/2" [38 mm]	1" [25.4 mm]
KS-CAM38	38mm — 1 (optional)	1-1/2" [38 mm]	1-1/10" [28 mm]
KS-CAM45	45mm — 5 (optional)	1-3/4" [45 mm]	7/10" [18 mm]



# How to Order

SERIES	COMMUNICATION	MODEL	CARD TECHNOLOGY			COLOR	KEYING OPTIONS		
<b>KS</b>	<b>210</b>	<b>-S</b>	<b>-IPS</b>			<b>-B</b>	<b>K1</b>		
Server Cabinet Lock	210 RS-485 OSDP	640 Obsolete	BLE/NFC STANDARD	<b>BIPSXXXXX</b>	HID multiCLASS SE	HID Prox®, Kantech ioProx, HID iCLASS®, HID iCLASS SE® (SIO-enabled), HID iCLASS® Seos™, HID MIFARE® SE, HID DESFire® EV1 SE, MIFARE Classic, MIFARE DESFire EV1, NFC-enabled mobile phones, Bluetooth Smart-enabled mobile phones (HID Mobile Keys (MOBXXXX))*	<b>B</b> Black	_ No SFIC or Blank Plastic Core (Standard) <b>BC</b> SFIC blank (Black plastic core) <b>K1</b> MEDECO X4 SFIC Cylinder (DGV Commercial Keyway, Keyed Alike) with 2 Keys (1 Control & 1 User)	
		S Swing Handle 150x25 mm Cam Activated		<b>IPEXXXXX</b>	HID iCLASS Elite				HID iCLASS Elite Keys (ICEXXXX)*, HF Only
				<b>IPV040</b>	RFID Only (HID iCLASS SE) PIV-I / 40 Bit FASC-N				40 Bit FASC-N message length: System + Credential (parity automatically removed), HF Only
			<b>IPV064</b>	RFID Only (HID iCLASS SE) PIV-I / 64 Bit FASC-N	64 Bit FASC-N message length: Agency + System + Credential + Series + Issue (parity automatically removed), HF Only				
			<b>IPV075</b>	RFID Only (HID iCLASS SE) PIV-I / 75 Bit FASC-N	75 Bit FASC-N message length: Agency + System + Credential + Expiration Date (parity automatically removed), HF Only				
			<b>IPV128</b>	RFID Only (HID iCLASS SE) PIV-I / 128 Bit FASC-N	128 Bit FASC-N message length: Agency + System + Credential + Series + Issue + Pers Iden + Org/Ind + Pers/Org (parity automatically removed), HF Only				
			<b>IPV200</b>	RFID Only (HID iCLASS SE) PIV-I / 200 Bit FASC-N	200 Bit complete FASC-N number (parity included), HF Only				

\*HID Authorization form will need to be filled out and signed by the end user who has authority of the ELITE KEY

# KS-M Mechanical Server Cabinet Lock

*Cam activated swing handle*



Designed for  
use with standard  
150 x 25 mm cutouts.

The HES KS-M installs easily on most cam-activated server cabinet doors equipped with a standard 150 x 25 mm lock prep and provides support for a 6 or 7-pin SFIC (Small Format Interchangeable Core) mechanical key override.

## Features

### Standard Features

- Cam Activated
- Non-Handed
- Mechanical 6 or 7-pin SFIC Key Override (Sold separately)
- Compatible with MEDECO XT Intelligent Keys
- Black Finish
- SecuriCare three-year, no-fault, no questions asked warranty

## Specifications

### Certifications

- RoHS Compliant

### Holding Force

- Static Strength 350 lbs

### Environmental

- Operating Temperature  
-13° to 131°F [-25° to 55°C]  
Indoor Use Only



3  
Year  
SecuriCare  
Warranty



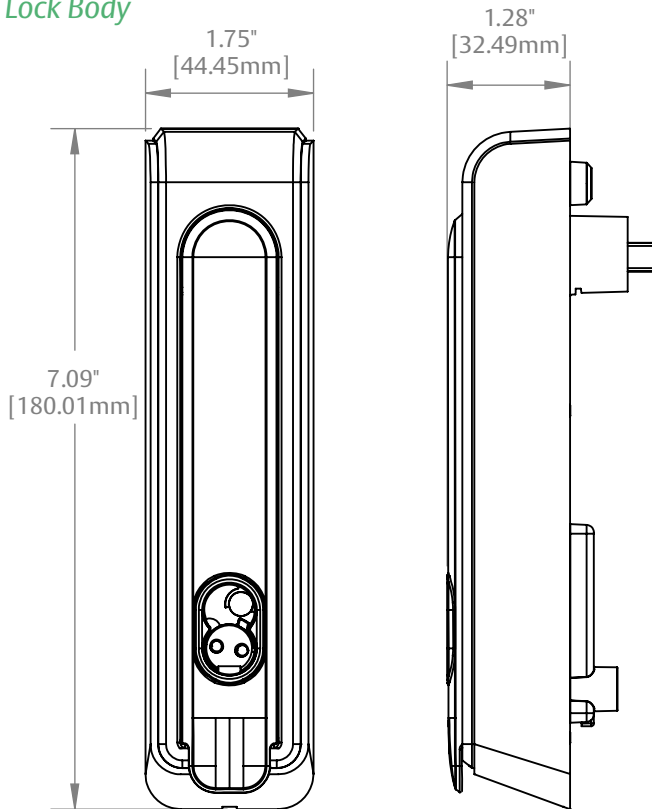
Swinging  
Door

hes.

ASSA ABLOY

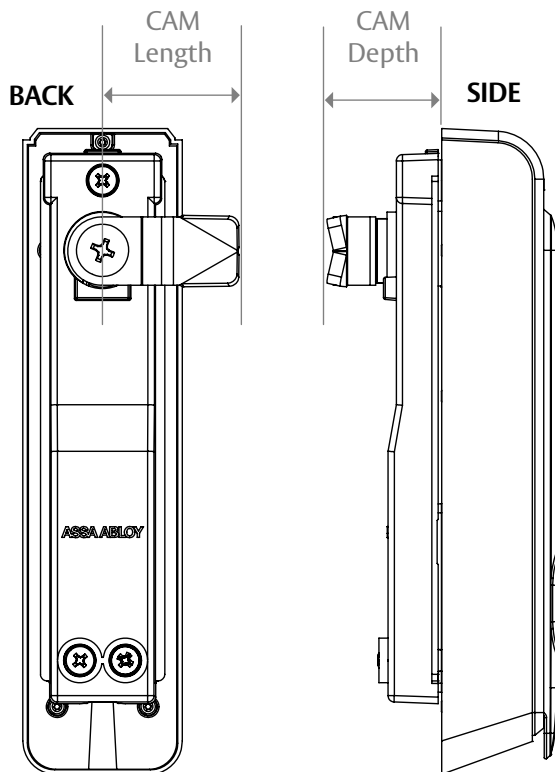
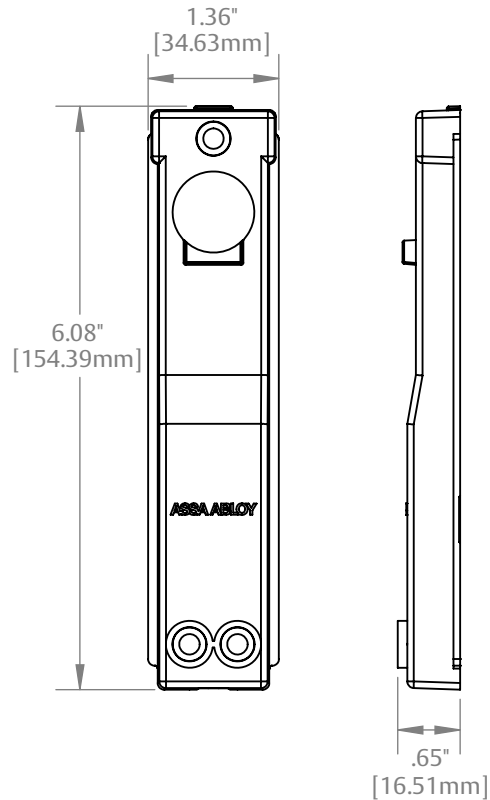
## Dimensions

### Lock Body



## Dimensions

### Mounting Bracket



PART NO.	CAM	CAM LENGTH	CAM DEPTH
Included	38mm – 4 <i>(standard)</i>	1-1/2" [38mm]	1" [25.4mm]
KS-CAM38	38mm – 5 <i>(optional)</i>	1-1/2" [38mm]	1-1/10" [28mm]
KS-CAM45	45mm – 1 <i>(optional)</i>	1-3/4" [45mm]	7/10" [18mm]

- NOTE: Please reference the "KS Rack Compatibility Matrix" for the most up to date list of compatible server cabinets.


## How to Order





SERIES	MODEL	COLOR	KEY OVERRIDE
KS	- M	- B	- K1
KS	-M Mechanical	B Black	<b>(blank)</b> No SFIC or Blank Plastic Core (standard) <b>K1</b> SFIC Medeco X4 Cylinder & 2 Keys (1 control & 1 user)



# Resources

# Icon Glossary

ICON	DESCRIPTIONS	
 Grade 1	Grade 1	<b>Electric Strikes</b> — 1500 lbs or greater static holding force, 70 ft lbs of dynamic holding force, and withstands 500,000 cycles of operation
 Grade 2	Grade 2	<b>Electric Strikes</b> — 1000 lbs or greater static holding force, 50 ft lbs of dynamic holding force, and withstands 300,000 cycles of operation
 Grade 3	Grade 3	<b>Electric Strikes</b> — 500 lbs or greater static holding force, 33 ft lbs of dynamic holding force, and withstands 100,000 cycles of operation
 SecuriCare Warranty	SecuriCare Warranty (10)	HES's exclusive SecuriCare ten-year, no-fault, no questions asked warranty
 SecuriCare Warranty	SecuriCare Warranty (5)	HES's exclusive SecuriCare five-year, no-fault, no questions asked warranty
 SecuriCare Warranty	SecuriCare Warranty (3)	HES's exclusive SecuriCare three-year, no-fault, no questions asked warranty
 Mortise Locks with Deadbolt	Mortise Locks with Deadbolts	A lock case that fits into a prepared rectangular shaped recess in the edge of a door. Deadbolts are bolts having no spring action, but are operated by a thumb turn or key.
 Mortise Locks without Deadbolt	Mortise Locks without Deadbolt	A lock case that fits into a prepared rectangular shaped recess in the edge of a door. Latchbolts are a spring actuated bolt, with a beveled surface, which, when aligned with the strike plate, engages it automatically.
 Cylindrical Locksets	Cylindrical Lockset	A lock for a door prepared with one or more cross-bores and one or more edge-bores
 Rim Exit Devices	Rim Exit Devices	A latch mechanism that releases by depressing a cross bar or panel extending across the width of the door sometimes called a panic bar, panic exit hardware or fire exit bolt
 Specialty Locksets	Specialty Locksets	Includes specialty locksets including but not limited to cylindrical deadbolt, hook bolt, unit lock, weiser bolt, and narrow style aluminum lock
 Swinging Door	Swinging Door	For use on swinging doors or cabinets
 Sliding Door	Sliding Door	For use on sliding doors or cabinets
 Roll-Up Door	Roll-Up Door	For use on roll-up doors or cabinets
 Drawers	Drawers	For use on cabinet drawers

ICON	DESCRIPTIONS	
 Field Selectable Fail Secure/Fail Safe	Field Selectable Fail Secure/Fail Safe	Product able to be configured in the field to operate in fail safe (power to lock) or fail secure (power to unlock)
 Dual Voltage 12/24	Dual Voltage	Product able to be configured in the field to operate on either 12 or 24 volts or provide 12 or 24 volts
 Auto Sensing Dual Voltage 12/24	Auto Sensing Dual Voltage	Product automatically configures to operate on either 12 or 24 volts
 PoE Friendly	PoE Friendly	An electronic locking device with a standby current draw of less than 300 mA at 12 VDC, which ensures compatibility with most PoE enabled door controllers with sufficient capacity to allow for other access control peripherals to be powered around the door
 Battery Backup	Battery Backup	Supports the addition of batteries to provide backup power in case of a primary source power outage
 Fire Rated	Fire-Rated	Products with a Fire Rating have been evaluated and listed to UL10B, "Fire Test of Door Assemblies" and UL10C, "Positive Pressure Fire Tests with Door Assemblies". The hourly rating qualification is also noted
 Windstorm Resistant	Windstorm Resistant	Windstorm resistant products are certified to meet the performance requirements of windstorm-rated assemblies on exterior swinging door applications (Products are designed and tested to perform in sustained winds up to 150 miles per hour)
 Preload	Preload Capable	Preload capable products are capable of opening under load as defined applicable ANSI/BHMA standards
 Outdoor Rated	Outdoor Rated	Product has been tested and shown to comply to UL1034, including the "Outdoor Equipment Use" section
 Burglary Rated	Burglary Rated	Product has been tested and shown to comply to UL1034
 UL CERTIFIED	UL Listed	UL Listed means that UL has tested representative samples of the product and determined that it meets UL's requirements. The requirements are based primarily on UL's published and nationally recognized Standards for Safety
 CE	CE Listed	CE listed is a conformity marking for certain products sold within the European Economic Area (EEA)
 UL CERTIFIED ENVIRONMENTAL PRODUCT DECLARATION UL.COM/EPD	Environmental Product Declaration	A UL-certified Environmental Product Declaration (EPD) is a thorough, internationally harmonized report produced by a manufacturer documenting the ways a product, throughout its lifecycle, impacts the environment



# HES Terms & Conditions

**PRICES:** All prices are subject to change without notice. Prices listed on the HES website will serve as the most current list price. All shipments will be made at prices in effect at the time of order. The customer shall be responsible for payment of all applicable sales and/or use taxes and freight costs.

**MINIMUM ORDER:** Minimum product charge per invoice is \$150.00 USD.

**PAYMENT TERMS:** Net thirty (30) days from date of invoice. Interest at the rate of up to 1-1/2% per month may be charged on all past due accounts. An order received on an account which has not been paid within 45 days of the date of invoice may not be processed until the account is current. Custom orders may require a deposit.

**DELIVERY TERMS:** All prices are Ex-works factory. Purchaser assumes the risk of loss or damage to the goods while in transit from the point of shipment. HES reserves the right to make delivery in installments. Installments shall be separately invoiced and paid for when due. Delay in delivery of an installment shall not relieve the purchaser of its obligation to accept remaining deliveries.

**FREIGHT POLICY:** All Purchase Orders received with a minimum net value of \$3,500 will qualify automatically for free standard freight within the continental United States. This minimum amount applies per Purchase Order to qualify and does not include free expedited freight. Qualified orders may ship partial or ship complete at your preference. Qualified orders that ship partial will not incur freight charges. All shipments that do not qualify for free freight will be charged for freight based upon our terms in effect at the time of shipment. Customers may provide their own carrier account number for expedited freight methods or for any Purchase Order to be used to cover freight costs. Minimum amounts are subject to change without notice.

**SHORTAGE:** Any claim for shortages must be made to HES in writing within one (1) week of receipt of merchandise.

**WARRANTY RETURNS:** A Customer Care Form (CCF) for defective product must be obtained from HES before any merchandise can be returned. CCF's are valid for sixty (60) days from date of issuance. Goods returned under the terms of MagnaCare® and SecuriCare® Warranties may require a copy of the original invoice.

**RETURNS:** A Customer Care Form (CCF) must be obtained from HES before any merchandise can be returned. CCF's are valid for sixty (60) days from date of issuance. Items that are not factory sealed, or that are returned later than 90 days from the date of receipt are subject to a restocking charge plus an additional charge for any damage.

**CANCELLATIONS:** Any order may be subject to a 5% cancellation charge for catalog items. Cancellation of non-catalog or custom items will be subject to a 20% cancellation charge plus all costs (both direct and indirect) incurred by manufacturing at the point of cancellation that are properly allocated to the cancelled item(s).

**LIMITATION OF LIABILITY:** Neither party will be liable to the other for any delay or failure in performance arising directly out of war, sabotage, insurrection, riot, and any other act of civil disobedience, act of public enemy, fire, explosion, flood, storm, or other act of God or nature, or similar cause beyond its reasonable control, including shortage or unavailability of labor or materials. If, notwithstanding the foregoing limitations, HES has any liability to the purchaser, the purchaser agrees that the total liability to the purchaser for all losses, damages, and causes of action, whether in contract, equity, tort (including without limitation, negligence and gross negligence), or otherwise, will not exceed the amount the purchaser paid to HES for the products (including, without limitation, incidental or consequential damages, damages for lost profits or business interruption, and punitive damages).

**NO THIRD PARTY LIABILITY** If the purchaser uses the HES Products on behalf of others or provides to others any products referenced herein, the HES Parties shall have no liability to such persons whatsoever, and the purchaser agree to defend and indemnify the HES Parties from any and all claims and demands asserted against them, and from any legal fees, costs and other expenses that the HES Parties incur therewith.

# HES Warranties

We believe that the best products in the industry should be supported by our commitment to deliver the highest quality products and services. HES is proud to extend the most comprehensive no-fault, no-questions asked warranty coverage to all of our products and solutions. This is our expectation and commitment to you – our valued customer.



## SecuriCare 10-year Warranty

**Duration:** Ten years from date of shipment.

**Condition:** Any reason including, but not limited to, installation error, vandalism or force majeure.

**Replacement:** Replacement product or equivalent shipped at h.e.s. expense via next day air freight in most cases.

### Products Covered

- When installed with a Smart PAC III, the following electric strikes are upgraded to the 10-year warranty:
  - » 1006, 1500, 1600, 4500, 5000, 5200, 5300, 7000, 7501, 8000, 8300, 8500, 9100, 9200, 9400, 9500, 9600, 9700, 9800
- Folger Adam 310, 712, 732, 742



## SecuriCare 5-year Warranty

**Duration:** Five years from date of shipment.

**Condition:** Any reason including, but not limited to, installation error, vandalism or force majeure.

**Replacement:** Replacement product or equivalent shipped at h.e.s.'s expense via next day air freight in most cases.

### Products Covered:

- Electric Strikes:
  - » 1006, 1500, 1600, 4500, 5000, 5200, 5300, 7000, 7501, 8000, 8300, 8500, 9100, 9200, 9400, 9500, 9600, 9700, 9800
- » Folger Adam 310, 712, 732, 742



## SecuriCare 3-year Warranty

**Duration:** Three years from date of shipment.

**Condition:** Any reason, including but not limited to, installation error, vandalism or force majeure.

**Replacement:** Replacement product or equivalent shipped at h.e.s.'s expense via

next day air freight in most cases.

### Products Covered:

- Aperio® Wireless ES100 Electric Strike
- 610, 630REL, 660, KS200, KS210 & Accessories

Check your individual product to determine warranty coverage. Batteries and consumables are not covered by HES Warranty programs. Replacement products, at HES's sole option, may be the identical item or a unit which serves as a functional replacement. If the customer has an account with HES or a valid credit card, the customer may order an advance replacement product, whereby HES will charge the customer's account for the price of the product plus next day air freight, and will credit back to the customer the full amount of the charge, including outbound freight, upon HES receipt of the original product from the customer. HES's sole and exclusive liability, and customer's sole remedy, is limited to the replacement of the HES product when delivered to HES's facility (freight and insurance charges prepaid by customer).



[hesinnovations.com](https://hesinnovations.com)

The ASSA ABLOY Group is the global leader in access solutions. Every day we help people feel safe, secure and experience a more open world.



## USA

800 626 7590 | f. 866 582 4641 | [hesinnovations.com](https://hesinnovations.com)  
[customerservice.hes@assaabloy.com](mailto:customerservice.hes@assaabloy.com)  
[techsupport.hes@assaabloy.com](mailto:techsupport.hes@assaabloy.com)  
[orders.hes@assaabloy.com](mailto:orders.hes@assaabloy.com)

## CANADA

800 461 3007 | f. 800 461 8989 | [assaabloydss.ca](https://assaabloydss.ca)  
[sales.dss.ca@assaabloy.com](mailto:sales.dss.ca@assaabloy.com)  
[orders.dss.ca@assaabloy.com](mailto:orders.dss.ca@assaabloy.com)

[hesinnovations.com](https://hesinnovations.com)

Printed in the U.S. A.

Patent pending and/or patent [www.assaabloydss.com/patents](https://www.assaabloydss.com/patents)

Copyright © 2024, Hanchett Entry Systems, Inc., an ASSA ABLOY Group company.  
All rights reserved. Reproduction in whole or in part without the express written permission of Hanchett Entry Systems, Inc. is prohibited. HES-120-0524