



Surface mounted closer

4040XP Series

Overview

The 4040XP Series is LCN’s most popular door closer—and for good reason. This durable non-handed, surface-mounted heavy-duty closer, is designed for the most demanding high-use-and-abuse applications.

- ANSI/BHMA A156.4 Grade 1 rated
- Meets ADA reduced opening force requirements
- cUL listed and UL listed for self-closing doors without hold-open

The beauty of the 4040XP is that it goes way beyond the required standards. And in doing so, it has set the standard for reliability, longevity, and value.

- Stronger materials designed to go the distance.
- Proven production processes and technology, such as, forging steel and heat-treating certain components, that ensure a tougher, bolder construction.
- Abuse-cycle and temperature tests that mimics what door closers encounter in high-abuse environments.
- Well-marked adjustment valves and built-in preventative measures for adjusting too far and breaking the closer.
- 30-year limited warranty

Our relationship with you doesn’t end at the sale. LCN supports you throughout the life of your facility with all your technical and application needs. Bottom line, the 4040XP is a closer you can count on that’s built to last a lifetime—all while delivering remarkable value in a variety of applications.

Cylinder

4040XP-3071

Cast iron cylinder assembly

Handing

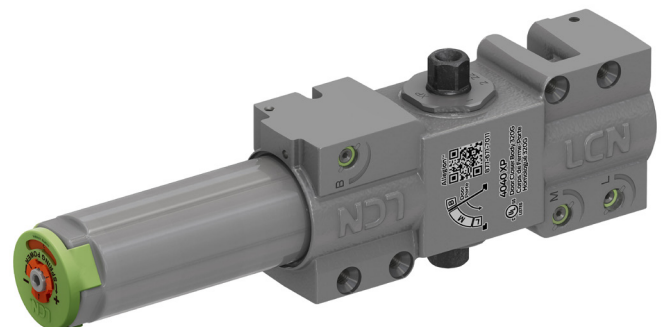
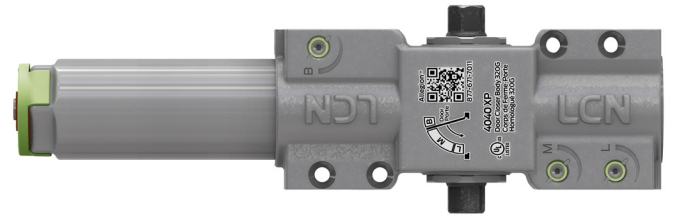
Non-handed

Sizing

Adjustable spring size 1–6, includes LCN Green Dial

Available cylinder options

DEL	Delayed action cylinder
-----	-------------------------



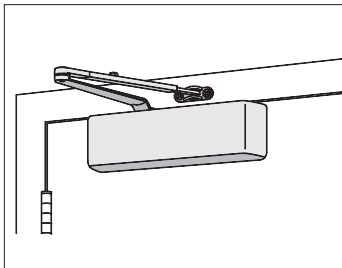
Adjustments

There are several design features that make installation or adjustment of the 4040XP easier and more intuitive.

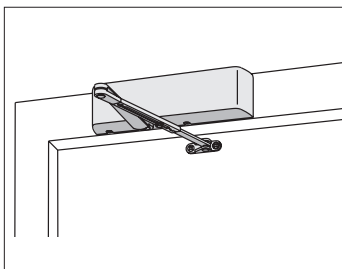
- **LCN Green Dial** provides a visual reference of the spring power setting, taking the guesswork out of spring power adjustments.
- **Additional adjustments** can be made to the back check, main, and latch regulation valves which are labeled for easy identification.
 - **Note:** Labels correspond to a diagram with door swing zones located on the closer body.
- **A patent-pending positive stop feature** on all regulation valves. The improved staking feature prevents the screw from being backed out and causing accidental damage to the product.
 - The patent-pending regulation valve indicators provide visual color indicators of how far a screw is backed out—the more visible the component, the faster the speed.
 - This makes adjustments simpler and more intuitive.
- **New QR code** that provides on-the-spot access to interactive installation and maintenance instructions and tech support.



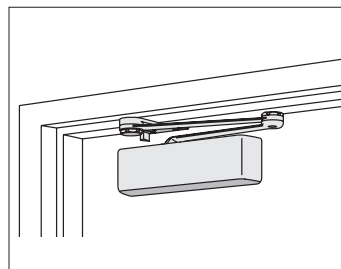
Mounting



Hinge (pull side)



Top jamb (push side)



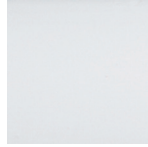
Parallel arm (push side)

Finishes

Powder coat finishes



622
Matte Black



689
Aluminum



690
Statuary Bronze



691
Light Bronze



693
Black



695
Dark Bronze



696
Brass

150+ additional custom colors available using the RAL numbering system

Metal plated finishes



632
Bright Brass



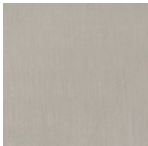
633
Satin Brass



639
Satin Bronze



616
Satin Bronze,
Blackened



646
Satin Nickel



651
Bright Chrome



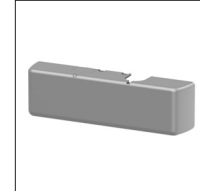
652
Satin Chrome

Available finish options

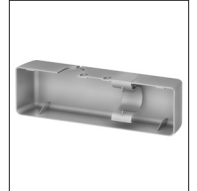
MTLPC	Brite metallic: Custom powder coat finish, which resembles that of 651 or 652 plated finish.
SRI	For installations where a higher level of protection against weather conditions, or the effects of a potentially corrosive atmosphere is required, LCN offers a special rust inhibiting (SRI) process. Ferrous metal components receive an SRI pretreatment and a standard powder coat finish of your choice, or a custom powder coat finish for a nominal additional cost. Closers treated with the SRI process exceed the 100 hour protection level available with standard LCN powder coated finishes.

Covers

Standard cover



Front view



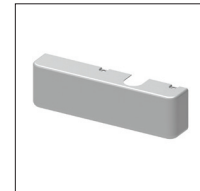
Back view

4040XP-72

plastic cover (PC)

- Non-handed
- Includes 4040XP-54 snap-on cover clip
- Redesigned snap-fit cover with improved patent-pending retention fit

Optional cover



4040XP-72MC

metal cover (MC)

- Handed
- Required for plated finishes and custom powder coat finishes
- Optional

Arms



- 4040XP-3077
Regular Arm (REGARM)**
- Non-handed
 - Mounts pull side or top jamb with shallow reveal P4041 closer includes PA shoe, 4040XP-62PA required for parallel arm mounting



- 4040XP-3077L
Long Arm (LONG)**
- Non-handed
 - Includes long rod and shoe, 4040XP-79LR for top jamb mount
 - Optional



- 4040XP-3077ELR
Extra Long Arm (XLONG)**
- Non-handed
 - Includes extra long rod and shoe, 4040XP-79ELR for top jamb mount with deep reveal
 - Optional



- 4040XP-3049
Hold Open Arm (H)**
- Non-handed
 - Mounts pull side or top jamb with shallow reveal, hold open adjustable shoe
 - 4040XP closer includes 4040XP-62PA shoe required for parallel arm mounting
 - Optional



- 4040XP-3049L
Hold Open Long Arm (HLONG)**
- Non-handed
 - Includes long head and tube, 4040XP-3048L for top jamb mount
 - Optional



- 4040XP-3077EDA
Extra Duty Arm (EDA)**
- Non-handed
 - Features forged, solid steel main and forearm for potentially abusive installations
 - Optional



- 4040XP-3049EDA
Hold Open Extra Duty Arm (HEDA)**
- Handed
 - Parallel arm features forged, solid steel main and forearm for potentially abusive installations
 - Hold open function is adjusted at the shoe
 - Optional



- 4040XP-3077EDA/62G
Extra Duty Arm with 62G Thick Hub Shoe (EDAW62G)**
- Non-handed
 - Features forged, solid steel main and forearm for potentially abusive installations
 - 62G shoe provides additional blade stop clearance
 - Optional



- 4040XP-3049EDA/62G
Hold Open Extra Duty arm with 62G Thick Hub Shoe (HEDA62G)**
- Handed
 - Features forged, solid steel main and forearm for potentially abusive installations
 - 62G shoe provides additional blade stop clearance; hold open function is adjusted at the shoe
 - Optional



- 4040XP-3077CNS
Cush-n-Stop Arm (CUSH)**
- Non-handed
 - Features solid forged steel main arm and forearm with stop in soffit shoe.
 - Optional



- 4040XP-3049CNS
Hold Open Cush-n-Stop Arm (HCUSH)**
- Non-handed
 - Hold open function with templated stop/hold open points
 - Handle controls hold open function
 - Optional



- 4040XP-3077SCNS
Spring Cush-n-Stop Arm (SCUSH)**
- Non-handed
 - For potentially abusive applications features solid forged steel main arm and forearm with spring loaded stop in the soffit shoe
 - Optional

Arms



4040XP-3049SCNS
Spring Hold Open Cush-n-Stop
Arm (SHCUSH)

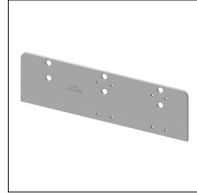
- Non-handed
- For potentially abusive applications features solid forged steel main arm and forearm with spring loaded stop in the soffit shoe
- Handle controls hold open function
- Optional

Installation accessories



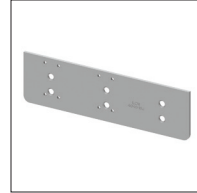
**4040XP-18
Plate**

- Required for hinge side mount where top rail is less than 3 3/4" (95 mm)
- Requires minimum 2" (51 mm) minimum top rail



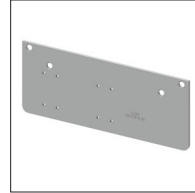
**4040XP-18G
Plate**

- Locates top jamb mounted closer flush with top of head frame face in flush ceiling condition
- Requires 1 3/4" (44 mm) minimum head frame



**4040XP-18TJ
Plate**

- Centers top jamb mounted closer vertically on head frame where face is less than 3 1/2" (89 mm). Plate requires 1 3/4" (44 mm) minimum head frame



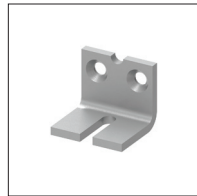
**4040XP-18PA
Plate**

- Required for parallel arm mounting where top rail is less than 5 1/2" (140 mm), measured from the stop
- Requires 2" (51 mm) minimum top rail



**4040XP-62PA
PA shoe**

- Required for parallel arm mounting



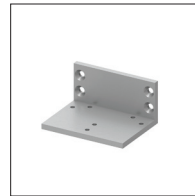
**4040XP-30
CUSH shoe support**

- Provides anchorage for fifth screw used with CUSH arms, where reveal is less than 3 1/16" (78 mm)
- Optional



**4040XP-61
Blade stop spacer**

- Required to lower parallel arm shoe to clear 1/2" (13 mm) blade stop
- Optional



**4040XP-419
PA flush panel adapter**

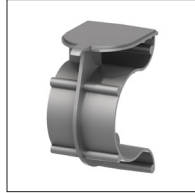
- Provides horizontal mounting surface for parallel arm shoe on single rabbeted or flush frame
- Optional

Installation accessories



4040XP-62A
Auxiliary shoe

- Requires a top rail of 7" (178 mm)
- Shoe replaces -62PA for parallel arm mounting of regular arm with overhead holder/stop
- Optional



4040XP-54
Snap-on cover clip

- Used to secure 4040XP-72 plastic cover to cylinder body

Fasteners

Self-reaming and tapping screws included standard

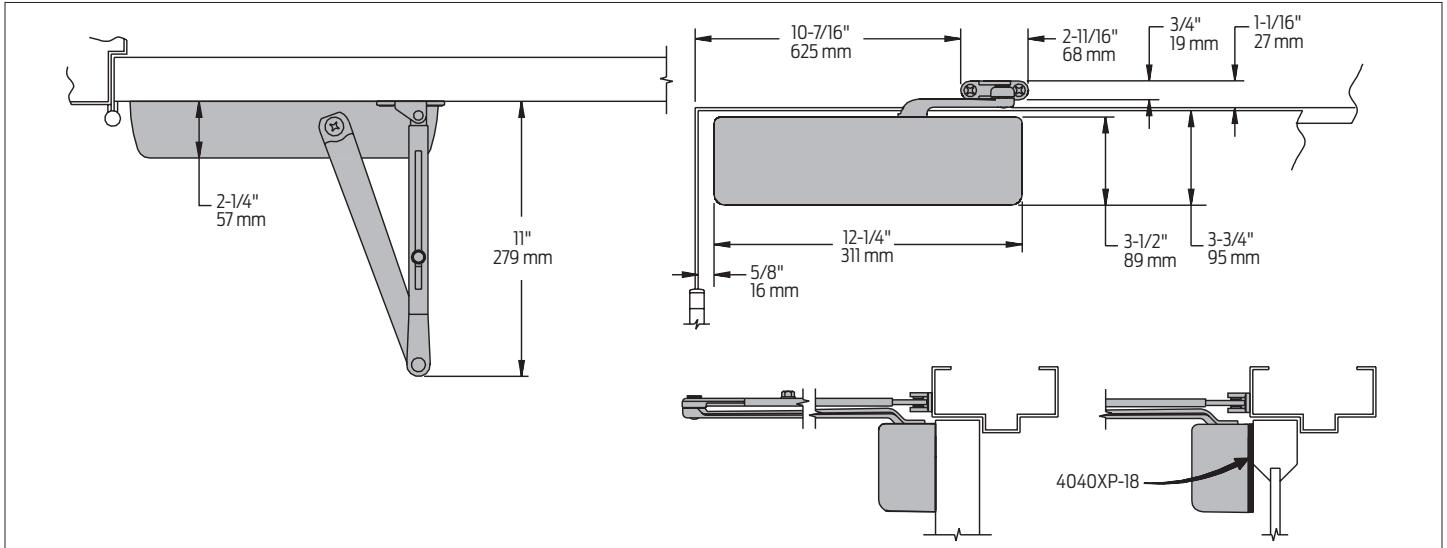
Fastener pack options

TBSRT	TB ¹ with self-reaming and tapping screws
WMS	Wood and machine screw
TBWMS	TB ¹ , wood and machine screw
TORX	TORX machine screw
TBTRX	TB ¹ and TORX machine screw

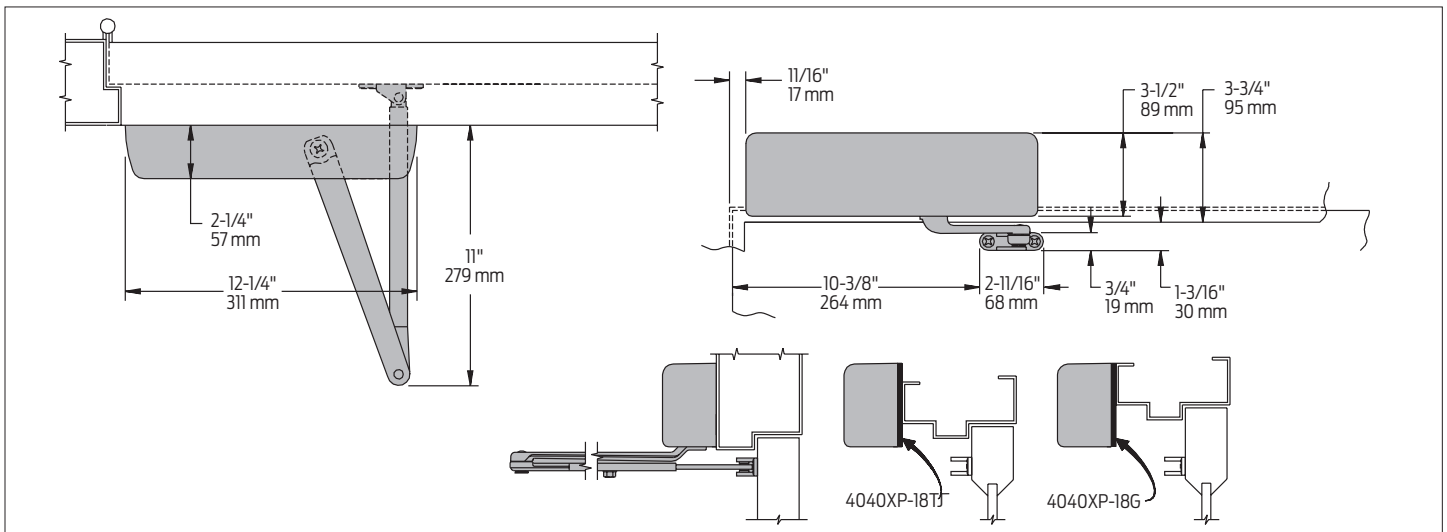
¹Specify door thickness if other than 1 3/4"

Dimensions and mounting

Hinge (pull) side mounting

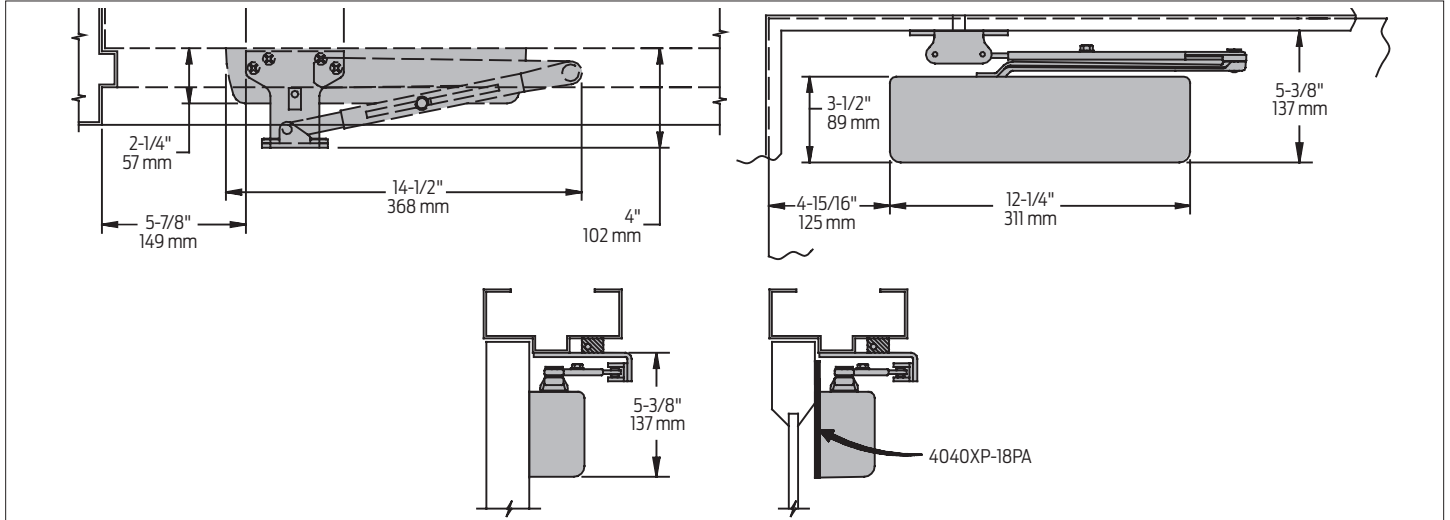


Top jamb (push side) mounting

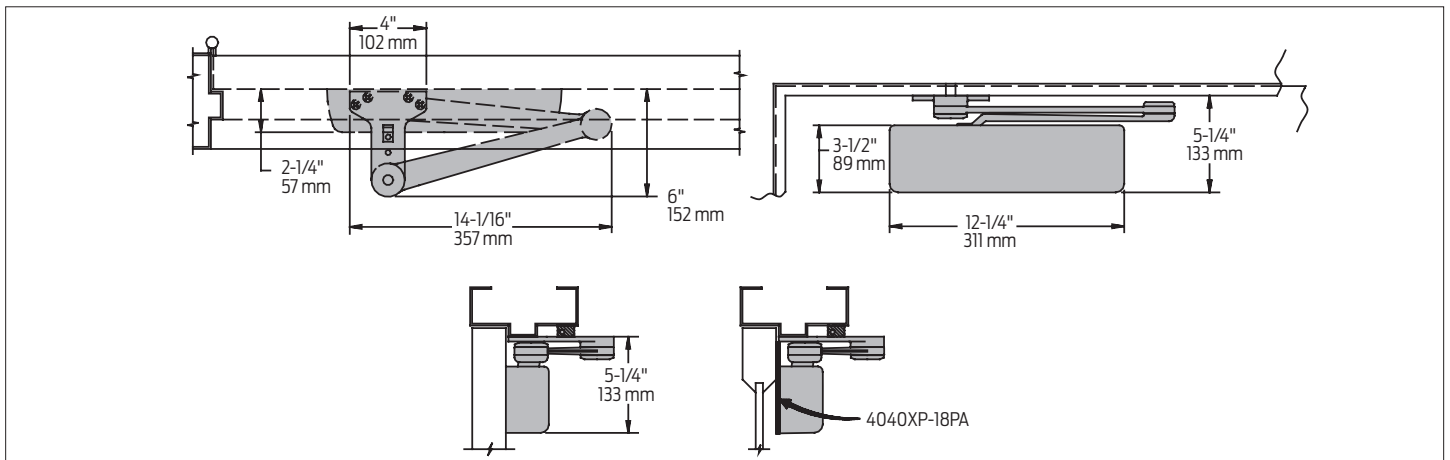


Dimensions and mounting

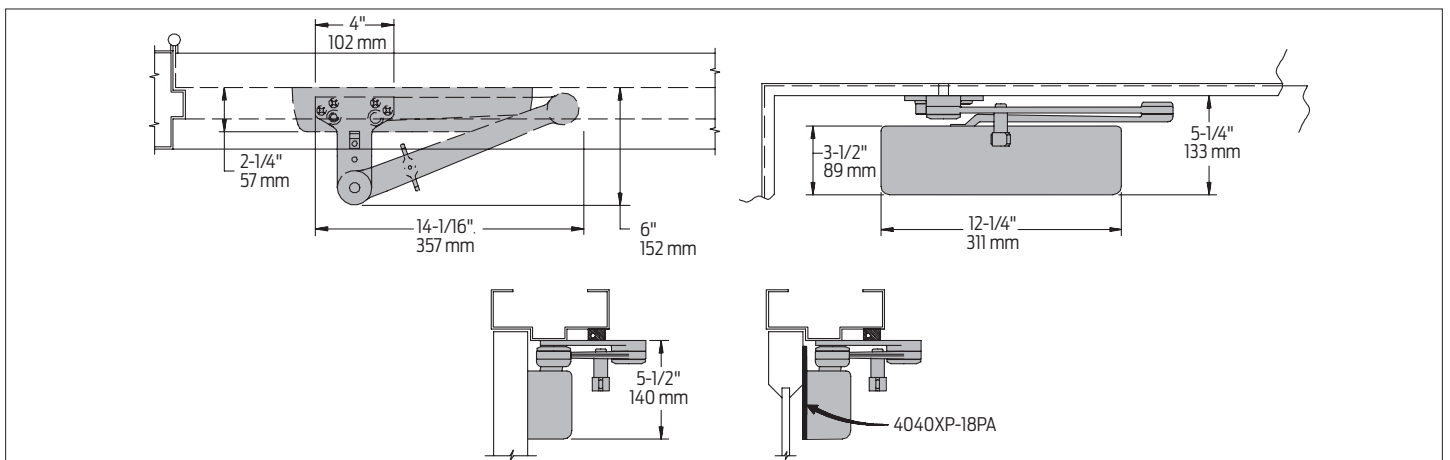
Parallel arm (push side) mounting



EDA mount



CUSH mount



Specifications

Accessibility	Available with less than 5.0 lbs. opening force on 36" door	Standard features	<ul style="list-style-type: none"> Full complement bearings with minimum 0.5" height to help withstand abuse All-weather Liquid X fluid for consistent performance through every season Non-PRV (pressure relief valve) design to minimize risk of property damage, injury, increased maintenance, and liability exposure Snap-on cover with patent-pending retention improvement to protect the products Powder coat finish that lasts longer than spray lacquer 30-year warranty
Certifications/ approvals	<ul style="list-style-type: none"> Grade 1 – ANSI A156.4 UL 10C Meets BAA – Buy American Act 		
Degree of operation	<p>Hinge (pull) side</p> <p>Max opening: 120°</p> <p>Hold open: 90–120°</p> <p>Top jamb (push side) mount</p> <p>Max opening: 120°</p> <p>Hold open: 85–120°</p> <p>Parallel arm with 62PA</p> <p>Max opening: 180°</p> <p>Hold open: 180°</p> <p>EDA</p> <p>Max opening: 180°</p> <p>Hold open: 180°</p> <p>Cush and spring cush</p> <p>Max opening: 110°</p> <p>Hold open: 110°</p>		<p>Ease of installation and adjustment</p> <ul style="list-style-type: none"> Tight tolerances in manufacturing for accuracy and precision LCN Green Dial to take the guesswork out of spring force adjustments Peel-n-stick template for quick and accurate installation Patent-pending positive stop to prevent the screw from being backed out Patent-pending regulation valve indicators for visual color indicators Independent speed adjustments for greater door control Graphic visuals and indicators to make adjustments faster, easier, and consistent QR code for on-the-spot access to interactive instructions and tech support <p>Flexibility</p> <ul style="list-style-type: none"> Universal non-handed design Full ranges of mounts Adjustable spring sizes 1–6
Environmental conditions	<ul style="list-style-type: none"> Approved for interior use Approved for exterior use (SRI coated only) LCN's standard all weather fluid performs to temperature ranges from 120°F (49°C) to -30°F (-35°C) LCN's powder coat finish surpasses 100 hours of salt spray which is over four times the ANSI standard for corrosion resistance. 		
Warranty	30 years		
Standard features	<p>Quality and durability</p> <ul style="list-style-type: none"> Cast iron cylinder for rugged performance Single-piece, heat-treated forged steel arms to withstand greater forces Heat-treated 1 1/2" diameter piston for extra hardness and strength Double heat-treated steel pinion 11/16" journal diameter for greater wear-resistance 		