

LCN®

## HSA Series

Electrically controlled  
closer/holder with hold  
open scanner



### Overview

LCN's HSA Sentronic 4310 and 4410 Series are electrically controlled closers/holders designed to provide easy passage for groups of pedestrians through high traffic doors. Not only does this reduce the wear and tear from constantly pushing the door open, but it also creates a safer environment for those who move just a bit slower.

With a constant flow of people entering or exiting through an opening, holding doors open for a crowd can be a hassle. The LCN HSA Series scanner works with your closer to hold the door open for you while you exit, and continues to hold the door open until the scanner recognizes the last person has passed through the doorway.

### Features and benefits

- Selectable setting for hold-open period at either 15 or 30 seconds
- Utilizes LCN's 4000 Series heavy duty Cast Iron door closer
- Functions as a full rack and pinion door closer when current is interrupted or the continuous hold-open is not engaged
- Concealed or surface wiring
- Shipped with standard 24V cylinder; 120V option requires 3210 transformer
- Handed for right or left swinging doors
- Built in switch to adjust hold-open feature from scanner controlled to continuous

## How it works

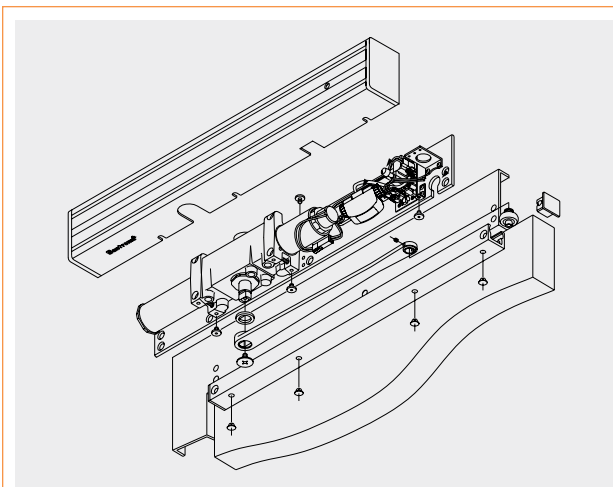
Pedestrians trigger the built-in scanner by moving through the doorway. When the door is opened to 80° or more, the door is electrically held open to minimize wear and tear on the door hardware. After the last pedestrian in a group passes through the doorway, the system timer releases the hold-open and closes the door utilizing a heavy-duty closer.

## Common applications

The 4310 Series and the 4410 Series HSA closers/holders are more commonly found in applications such as theaters, museums, auditoriums, nursing homes, sporting arenas, gymnasiums, concert halls, places of worship, and cafeterias.

### 4310/4410 Series options and specifications

<b>Certifications</b>	<ul style="list-style-type: none"><li>Grade 1 - ANSI A156.4; ANSI A156.15; NFPA 101-Life Safety Code</li></ul>
<b>Mounting</b>	<ul style="list-style-type: none"><li><b>4310:</b> mounts hinge (pull) side</li><li><b>4410:</b> mounts top jamb (push) side</li></ul>
<b>Finish</b>	<ul style="list-style-type: none"><li>Standard or optional powder coated finish</li><li>Optional plated finish on cover, arm, and fasteners</li></ul>
<b>Cover</b>	Metal cover, standard
<b>Cylinder</b>	<ul style="list-style-type: none"><li>Handed</li><li>Multi-point hold-open after 80°</li><li><b>4310:</b> sized cylinders for interior doors to 4'0"</li><li><b>4410:</b> sized cylinders for interior doors to 4'6"</li></ul>
<b>Arm function</b>	<ul style="list-style-type: none"><li><b>4310:</b> standard single arm (up to 160°); double egress (up to 95°)</li><li><b>4410:</b> regular double arm (up to 150°)</li></ul>



Contact us at 877.671.7011 to consult with an LCN Representative or Technical Advisor. Visit us at [www.allegion.com/us](http://www.allegion.com/us) for product information and additional resources.

## About Allegion

Allegion (NYSE: ALLE) is a global pioneer in safety and security, with leading brands like CISA®, Interflex®, LCN®, Schlage® and Von Duprin®. Focusing on security around the door and adjacent areas, Allegion produces a range of solutions for homes, businesses, schools and other institutions. Allegion is a \$2 billion company, with products sold in almost 130 countries. For more, visit [www.allegion.com](http://www.allegion.com).

aptiQ ■ LCN ■ SCHLAGE ■ STEELCRAFT ■ VON DUPRIN



© 2015 Allegion  
009457, Rev. 08/15  
[www.allegion.com/us](http://www.allegion.com/us)