

Options & Accessories

Lip Extension Kits

7100 Series Electric Strikes

Lip extensions are for center hung doors, thick doors, or other conditions that vary from the "standard" 1-3/4" thick door that closes flush (or near flush) with the jamb face. Specified with electric strike by the last dash number which varies the door centerline to jamb edge dimension in 1/8" increments. For existing 7100 Series Electric Strikes, a thin metal membrane in the standard lip can be drilled or punched out and the lip extension can be added in the field. The dash number for lip extension is the same as door centerline to jamb edge dash number on complete strike.

7100 Lip Extension

LIP EXTENSION PART NUMBER	APPLICABLE ELECTRIC STRIKES
91-0171-01 through -13	7100, 7110, 7111, 7130, 7140
91-0172-01 through -13	7160, 7170

7100 Lip Extension Dimensions

DASH PART NUMBER	DIMENSION 'A' – DOOR CENTERLINE TO JAMB EDGE
-00	1-1/16"
-01	1-1/2"
-02	1-5/8"
-03	1-3/4"
-04	1-7/8"
-05	2"
-06	2-1/8"
-07	2-1/4"
-08	2-3/8"
-09	2-1/2"
-10	2-5/8"
-11	2-3/4"
-12	2-7/8"
-13	3"

1-1/16" or less does not require a lip extension.
Lip extensions for fire-rated 7200 Series Electric Strikes must be factory installed.

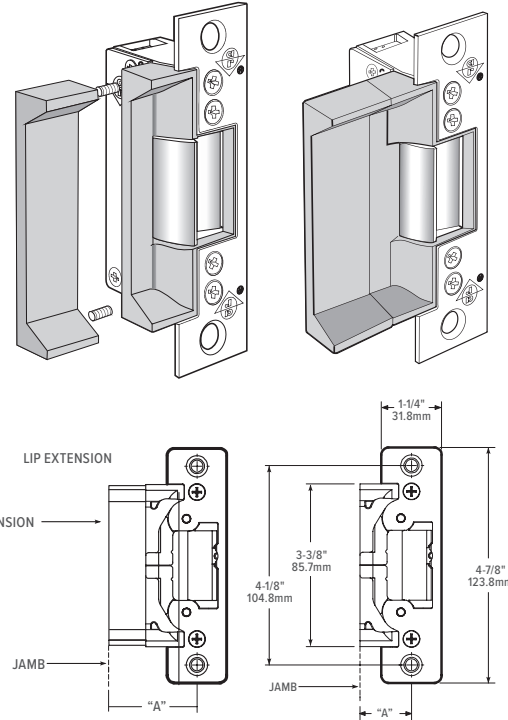
Ultraline 7400 Series Electric Strikes

Lip extensions are for center hung doors, thick doors, or other conditions that vary from the "standard" 1-3/4" thick door that closes flush (or near flush) with the jamb face. Lip extension kits are available in 1/8" increments, for flat faceplates only.

7400 Lip Extension

PART NUMBER	DIMENSION 'A' – DOOR CENTERLINE TO JAMB EDGE
LEK7400-50	1-3/8"
LEK7400-01	1-1/2"
LEK7400-02	1-1/16"
LEK7400-03	1-3/4"
LEK7400-04	1-7/8"
LEK7400-05	2"
LEK7400-06	2-1/8"
LEK7400-07	2-1/4"
LEK7400-08	2-3/8"
LEK7400-09	2-1/2"
LEK7400-10	2-5/8"
LEK7400-11	2-3/4"
LEK7400-12	2-7/8"
LEK7400-13	3"

1-1/16" or less does not require a lip extension



Faceplate Kits

For use with strike body. Faceplate kits contain all hardware to mount electric strike.

7100 Series Electric Strike Components

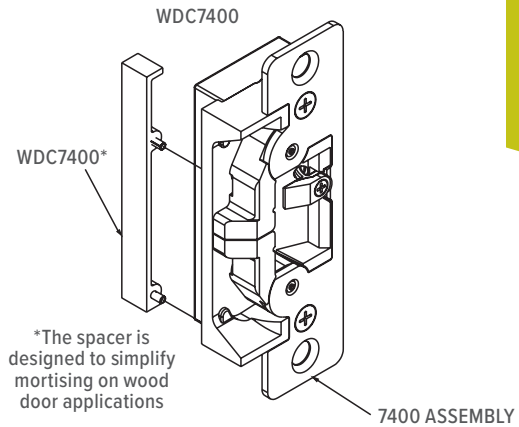
STRIKE BODY KITS	
7103A	For use with 7100/7101, 7110/7111, 7130/7131, 7140
7173A	For use with 7160, 7170
FACEPLATE KITS & FINISHES	
FPK00	For use with body kits: 7103A, 7173A
FPK01	For use with body kit: 7103A
FACEPLATE KITS & FINISHES	
FPK10	For use with body kit: 7103A
FPK11	For use with body kits: 7103A
FACEPLATE KITS & FINISHES	
FPK30	For use with body kit: 7103A
FPK31	For use with body kits: 7103A
FPK40	For use with body kit: 7103A, 7173A
FPK45	For use with body kit: 7103A, for installing electric strike in previous prep, 4901, 4501 strike cover.

7400 UltraLine® Electric Strike Components

STRIKE BODY KITS	
7400A	Standard body, for use in single door applications
7401A	Radius body, for use in applications with pairs of doors
FACEPLATE KITS & FINISHES	
FPK7400	For use with body kit: 7400A
FPK7401	For use with body kit: 7401A
FPK7410	For use with body kit: 7400A
FPK7411	For use with body kit: 7400A, not available in 335 finish
FPK7430	For use with body kit: 7400A
FPK7431	For use with body kit: 7401A
FPK7440	For use with body kit: 7400A
FPK7445	For use with body kit: 7400A, not available in 335 finish. For installing electric strike in previous prep 4901, 4501, strike cover

WDC7400 Wood Door Application

For use with Ultraline 7400 Electric Strikes only, this cover plate is designed to simplify mortising of wood door pairs.

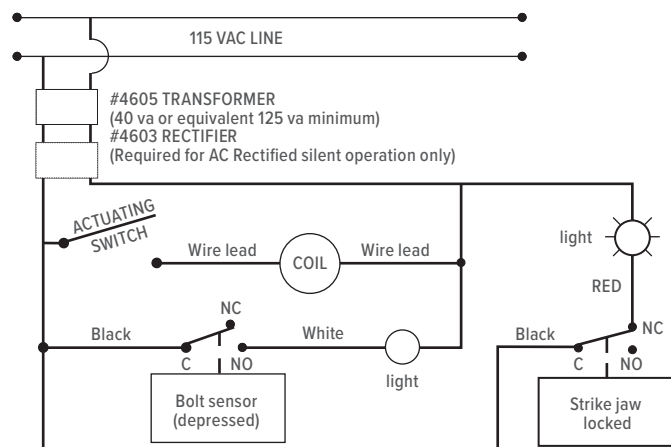


Monitor Switches

If a visual or other signal is required to tell an operator what the electric strike is doing, a "monitoring" strike to switch that signal on and off is required.

This feature utilizes two sensor switches: one is activated by the latchbolt's penetration of the strike and the other by the mechanism that blocks the strike's release.

These switches can also be used to interconnect two strikes in "mantrap" or interlock situations, such as elevator doors. In these cases, power to the solenoid of each strike is controlled by the switch(es) of the other so one will not unlock unless the other is locked. Each switch has both normally open and normally closed leads to they can be wired to either make or break a circuit.



Power

4603 Rectifier

Converts low voltage AC current to DC of same voltage. Installs in low voltage line between transformer and strike. Full wave bridge type. Rated 2 amps (200 PIV).

29-0218 Piezo Horn

Provides for audible indication of when a DC strike is energized. Operates with 12 VDC, 16 VDC, or 24 VDC strikes.

Transformers

- **4605** Converts 120 VAC to 12/24 VAC. Rated 40 Volt-amp output assures plenty of power for strike release.
- **4606** Converts 120 VAC current to 24 VAC. Plugs into standard wall outlet.

PS-1 Power Supply

Provides filtered and regulated voltage output to power electric strikes, magnetic locks, or other access control devices. Output is selectable in the field for 12 or 24 VDC. Charging circuit is built-in for battery backup power with 12 or 24 VDC operation. LED on circuit board indicates power input.