

7800 & 7900 Powered Door Operators

Premier Product

The Arrow 7800 & 7900 Series Powered Door Operators are low-energy operators which function as standard spring-force closers during close cycles when a door is opened manually, or if power is lost or turned off.


The 7800 is a hard wired door operator ideal for doctors' offices, retirement facilities, schools, churches, and other applications where noise may be a concern. The 7900 Series builds off the platform of the 7800 but is supplied with a plug-in power cord.



Compliance:

- ANSI/BHMA A156.19 certified
- Meets ANSI/BHMA A156.4 requirements
- UL / cUL listed for use on fire rated doors
- UL10C listed for positive pressure fire test
- Manufactured in an ISO 9001 and ISO 14001 certified facility
- Complies with requirements for the Americans with Disabilities Act (A.D.A)
- UL certified environmental product declaration



 Look for the universal symbol next to Arrow products that comply with ADA accessibility requirements.

Features:

- Non-handed
- Push or pull side mounting
- Operates as mechanical surface close during close cycles, when door is opened manually or if power is off
- Spring force provides the feel of a manual door closer
- Door can be opened manually if desired
- Adjustable spring power
- Backcheck valve
- Sweep valve & latch valve
- Unit activation options:
 - Wall switches
 - Radio frequency device
- End-user on/off switch
- Adjustable door sensitivity
- Onboard power supply for accessories: 24VDC (1.1A)
- 2 year limited warranty

Functions:

- Adjustable Hold Open
 - Amount of time a door will stay in the full open position after an activation
- Obstruction Detection
 - Motor stops if door is obstructed during opening; door closes
- On/Off Switch

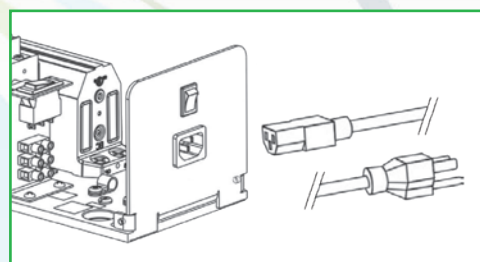
- Disables operator activation
- Open Delay
 - Delays operator opening for locking hardware
- Overload Safety Shut-Off
 - After 2 minutes of receiving a door activation signal, inverter times out and door closes
 - Prevents motor/inverter damage

Electrical Data:

- Power input; 120 VAC, 60Hz
- Relay output: SPDT
 - Normally open/normally closed (jumper)
 - For electric strike function

Finishes:

- Aluminum (689), Specify **AL**
- Dark Bronze (690), Specify **DB**



The 7900 series is an extension of the 7800 series but offers the convenience of a plug-in power cord, in lieu of the hard wire power input requirement for the 7800 series. The 7900 series, once installed, simply plugs into a code compliant 120 VAC power receptacle.

The power cord is only available on the 7900 Series products and cannot be added to 7800 Series operators. The offering is the same as our current non-power cord version (7800 Series) except that the part numbers begin with 79xx instead of 78xx.

Experience a safer
and more open world

ARROW[™]
LOCK & DOOR HARDWARE

ASSA ABLOY

7800 & 7900 Powered Door Operators

Premier Product

Standard Applications:



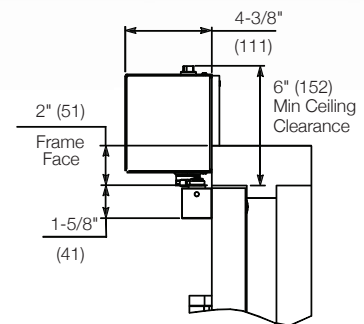
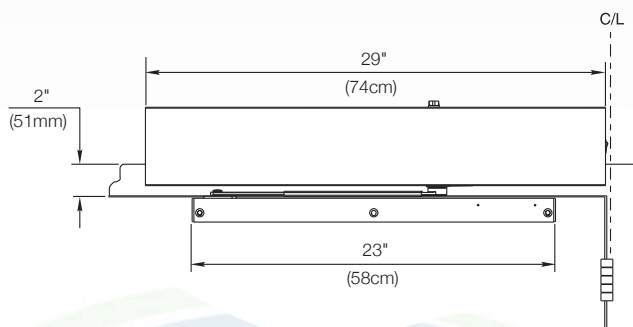
7836H, 7936H

Hinge (Pull) Side of Door

- Adjustable Stop
- 110° swing (trim permitting)

Minimum Door width
 Single Door – 29" (74cm)
 Pair of Doors – 30" (76cm)

An auxiliary door stop is suggested where severe conditions exist, or door opens beyond 110°.

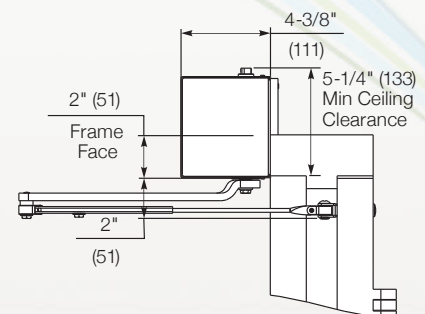
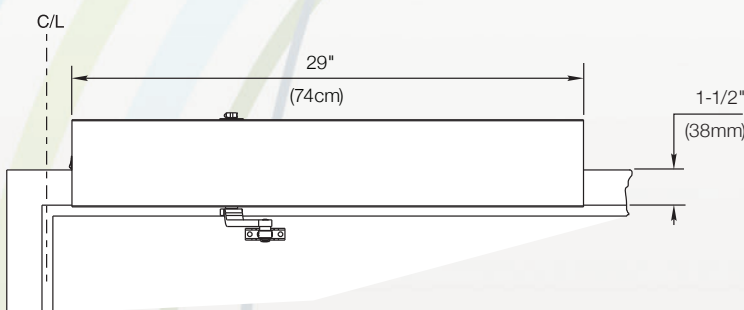


7836S, 7936S

Stop (Push) Side of Door

Standard Duty Double Lever Arm

- Frame reveals 2-5/8" to 6-3/4" (67-171mm)
- An auxiliary door stop is required for these applications.
- 170° swing (trim permitting)



Experience a safer
 and more open world

7800 & 7900 Powered Door Operators

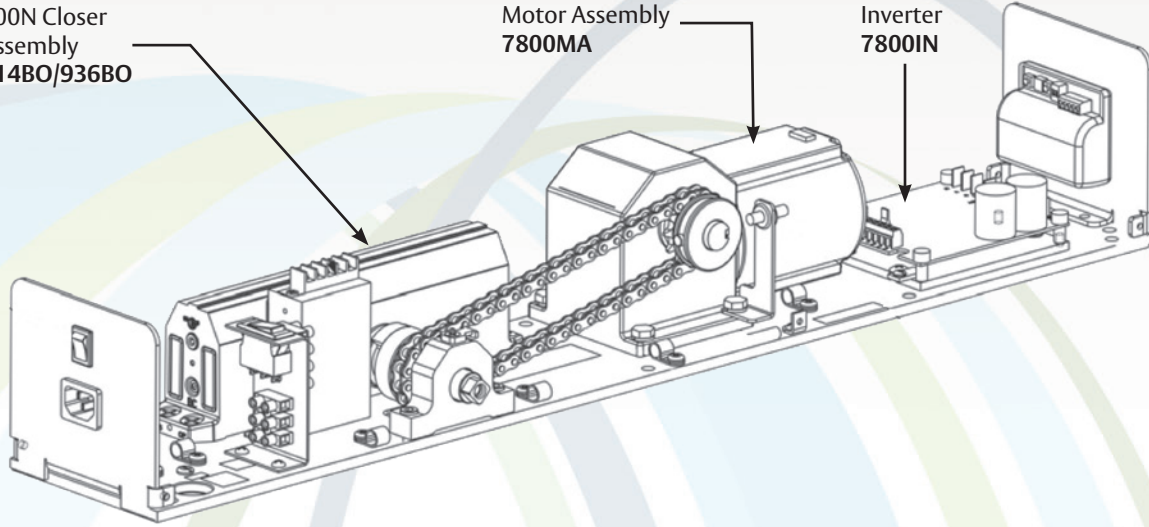
Premier Product

Parts:

900N Closer
Assembly
914BO/936BO

Motor Assembly
7800MA

Inverter
7800IN



Part Number
7800CO

Description
Cover

Experience a safer
and more open world

ARROW[™]
LOCK & DOOR HARDWARE
ASSA ABLOY

7800 & 7900 Powered Door Operators

Premier Product

Parts & Accessories:

Arm and Track Assemblies



7800TC – Arm and Track Assembly
7800TA – Arm Assembly
7800TO – Track Assembly



7800SC – Arm Assembly
7800SA – Main Arm & Adjusting Tube
7800ST – Rod & Shoe

Signage

- Supplied standard



2 Per Operator



1 Per Switch



1 Per Switch

Push Switches

- 6-5/8" square (box); 8-1/8" square (trim)
- 9 volt battery for RF switches
- Temperature: -4° F to 122° F
- 15 amp @ 125VAC
- Flush or surface† mounted
- Stainless steel with blue letters
- 7800WSHR and 7800WSTR – radio frequency (433MHz)
- For units with radio frequency option having the 7800RK kit
- 7800WST and 7800WSH – hard wired*

* Switches may be installed with single or double gang electrical box using fasteners included.

† When surface mounted, switches project 2" from wall.



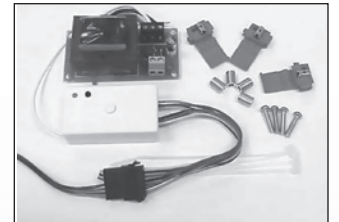
7800WSH, 7800WSHR



7800WST, 7800WSTR

Radio Frequency Kit

- Radio Frequency Receiver (433 MHz)
- 24 VDC power supply
- Activation switches not included.
- Order 7800KF, 7800T1, 7800T2, 7800WSHR, or 7800WSTR separately.



7800RK

Key Fob 7800KF

- Used with radio frequency option 7800RK kit



7800KF

Transmitters

- Single Channel 7800T1**
 - 2-3/8" w x 4-3/16" h x 15/16" d
- Two Channel 7800T2**
 - 2-3/8" w x 4-3/16" h x 15-16" d



A.
7800T1



B.
7800T2

Experience a safer
and more open world



ASSA ABLOY

7800 & 7900 Powered Door Operators

Premier Product

How to order the 7800 & 7900 Series

Ordering Example:

Quantity Part Number Finish
20 7836H • AL

7800 & 7900 Series Powered Door Operators

Mount Application (Closer Spring Size: 1-6)	Radio Frequency	2 Wall Switches	7800	7900
Hinge/Pull	✓		7836H	7936H
	✓	✓	7836HR	7936HR
			7836HRP	7936HRP
Stop/Push	✓		7836S	7936S
	✓	✓	7836SR	7936SR
			7836SRP	7936SRP
Universal	✓		7836U	7936U
			7836UR	7936UR

Experience a safer
and more open world

ARROW[™]
LOCK & DOOR HARDWARE
ASSA ABLOY