

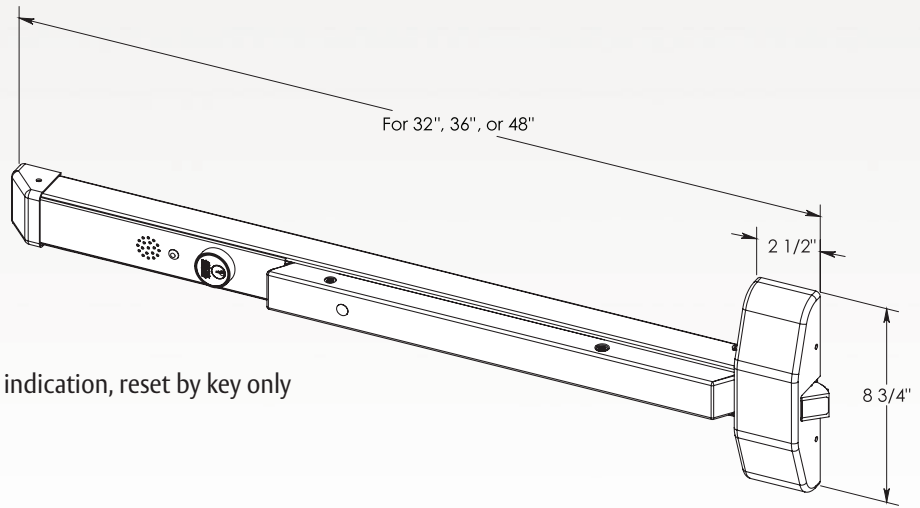
# AL500 Series Alarmed Hardware

## Premier Product

### AL500 Series exit alarm

#### Features:

- Microprocessor based alarm board
- When armed, alarm sounds immediately upon rail depression
- All exit devices have tamper resistant latching (Guarded Latch)
- Battery powered - 9VDC
- 103 Db @ 8 ft pulsating horn
- Flashing red LED provides visible violation indication, reset by key only
- Low battery alert
- Field selectable continuous alarm option
- Automatic re-arming option
- Inside cylinder operation to arm or disarm unit uses a 1-1/8" (29mm) mortise cylinder with 001 cam. Cylinder ordered separately.
- UL Listed and cUL Listed
- UL Listed to Canadian Safety Standards
- Rail Monitoring and Guarded Latch are standard internal features
- Minimum door widths: E 32" only, F 32-1/4 - 36", G 36-1/4 - 48"
- See McKinney's Transfer Device Solutions Catalog for QC Hinge and cable requirements (if hard wired)



#### Finishes:

630, 689, 690, BSP, RD

#### Certification and Compliance:

Designed to meet ANSI 156.3-1984 and A117.1-1980 for Accessibility Standards.

Packed - 1 each.

Experience a safer  
and more open world

# AL500 Series Alarmed Hardware

## Premier Product

### AL500 Series trim

#### Exit Alarm Trim

Matching trim available to complement other series of cylindrical locks, BM Series Mortise locks, exit devices and alarms.

#### Ordering information:

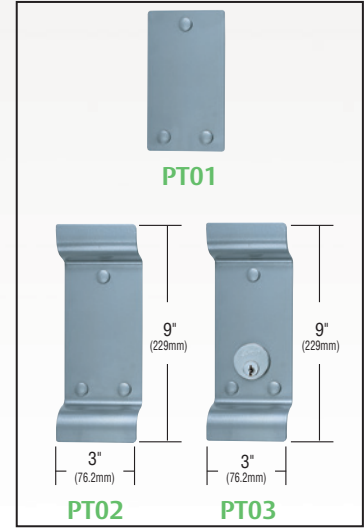
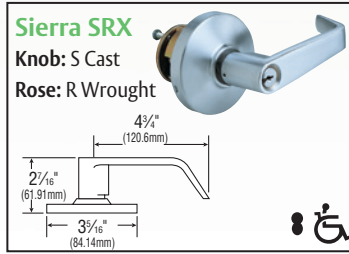
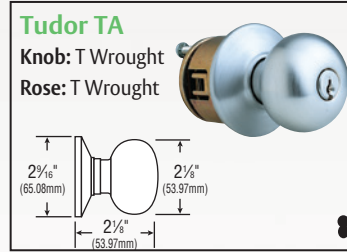
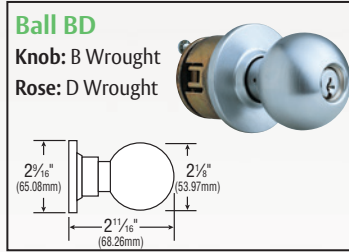
When ordering trim, specify design symbol and function, eg: **SRX82**, if specifying **Sierra** lever in **Storeroom** function.

#### Finishes

Knob: US3, US4, US10, US10B, US26D

Lever: 26D, 613E

Pull: 689, 690, RD



### AL500 Series accessories

#### Functions

**01 Passage** – Knob always active. Turning knob retracts latch and puts alarm into 15 second delay mode. (Latch retraction by knob sets off alarm is optional).

**12/82 Storeroom** – Knob/lever always rigid. Key retracts latch and puts alarm into 15 second delay mode.

**17/87 Classroom** – Key locks or unlocks knob/lever.

Turning knob retracts latch and puts alarm into 15 second delay mode.

#### Thru Bolts

#FS54 Specify finish: 26D, 10B, BSP

### Options:

#### Automatic Rearming

- Units are provided with spring loaded on/off switch. Switch automatically returns to the on position after removal of the key.
- Alarm can never be left off.

#### Continuous Alarm

- Horns will sound continuously after a violation has occurred—does not shut off after 2 minute alarm cycle.
- Only disarming by key operation will quiet the alarm.
- Remote power is recommended for units with this feature.

### Strikes:

