

# S1150 & S1250 Series Exit Devices

## Classic Product

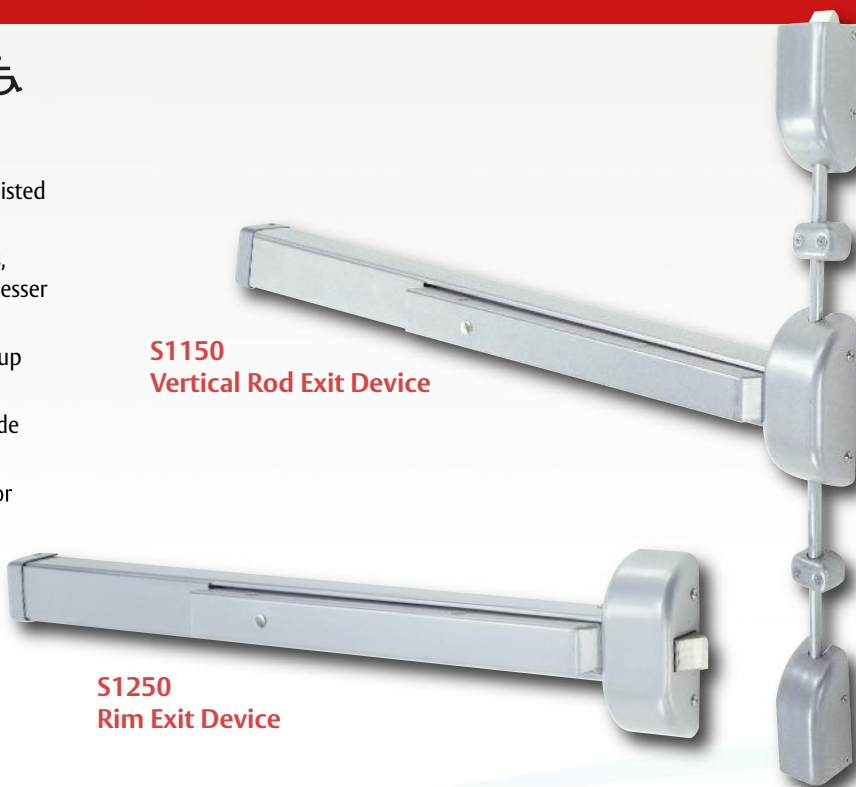
### Certification & Compliance:

- ANSI/BHMA A156.3, Grade 1
- ANSI A117.1 Accessibility Code
- Underwriters Laboratories (UL and CUL) listed for accident hazard (panic) standard.
- Fire Exit hardware for hollow metal doors, UL and CUL listed for 3 hour, A label and lesser doors, Prefix "F" before part number.
- Fire Exit hardware for wood doors, listed up to 1-1/2 hour, B label doors.
- All exit devices comply with life safety code NFPA 101.
- All fire rated devices comply with fire door and window code NFPA80.



**S1150**  
Vertical Rod Exit Device

**S1250**  
Rim Exit Device



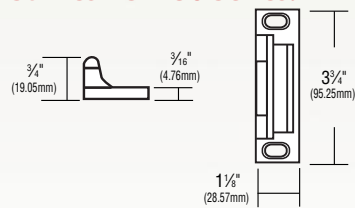
### General Specifications:

	<b>S1150</b>	<b>S1250</b>
<b>Chassis &amp; Cover</b>	Non-ferrous alloy	Non-ferrous alloy
<b>End caps</b>	Metal	Metal
<b>Doors</b>	1-3/4" (44.45mm) thick wood or hollow metal 3-3/4" minimum stile for single doors 3-1/2" (88.90mm) minimum stile for double doors	1-3/4" (44.45mm) thick wood or hollow metal 4-1/2" (114.3mm) minimum stile 4-5/8" for fire-labeled devices
<b>Handing</b>	Reversible	Reversible
<b>Dogging</b>	Allen-type key standard, cylinder available.	Allen-type key standard, cylinder available.
<b>Top/Bottom Bolts/ Latchbolt</b>	Brass 1/2" (12.7mm) throw top, 3/4" (19.05mm) bottom	3/4" (19.05mm) throw, stainless steel
<b>Throughbolts</b>	Order separately	Order separately
<b>Rail Assembly</b>	Steel	Steel
<b>Rail Size</b>	Furnished standard for doors up to 36", can be cut down to accommodate 32" doors. Alternate rail sizes available for narrow or wide doors	Furnished standard for doors up to 36", can be cut down to accommodate 32" doors. Alternate rail sizes available for narrow or wide doors
<b>Rods</b>	90"-extension kits available	N/A
<b>Trim</b>	See trim page 105	See trim page 105
<b>Finishes</b>	AL, BRZ, LBZ (sprayed finishes)	AL, BRZ, LBZ (sprayed finishes)

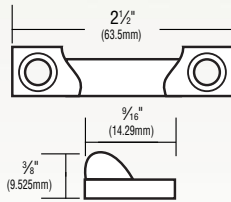
# S1150 & S1250 Series Exit Devices

## Classic Product

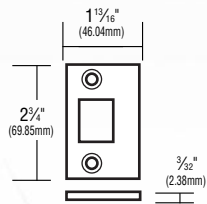
### Strikes – S1150 Series:



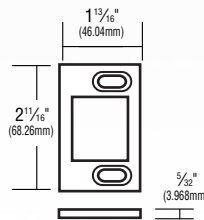
**Standard & Fire Rated Top Strike - S646**  
Surface applied top strike. No mortise required. Nylon Coated. Furnished standard.



**Standard Bottom Strike - S23**  
S23 bottom Strike surface applied to threshold or floor. Black nylon coated, furnished standard.

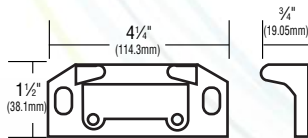


**Fire Rated Bottom Strike - S655**  
Standard for FS1150. Flush mounted, stainless steel. Furnished with expansion shields.

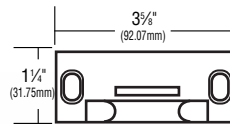


**Sliding Bottom Bolt - S43**  
Alternate bottom strike for SVR.

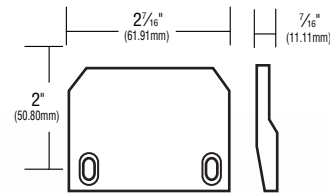
### Strikes – S1250 Series:



**Fire Rated Surface Strike - S24**  
Surface applied nylon coated for fire labeled S1250



**Standard Surface Strike - S38**  
Surface applied furnished standard.



**Double Door Strike - S36**  
Strike for double doors without mullion.

### Parts:

#### Chassis Covers, End Caps & Dogging Key

	Part No.
Chassis cover for 1150	28-0018
Chassis cover for 1250	28-0013
End cap for 1150 & 1250	28-0012
End cap mounting bracket	68-0080
Dogging Key	97-0001

#### Rail Assemblies – Standard Rail, Sprayed Finish

24" - 32" Doors	PR-24
32-1/4" - 36" Doors	PR-36
36-1/4" - 48" Doors	PR-48
Add "F" prefix for fire rated	

#### Rail Assemblies – Rail with Cylinder Dogging, Sprayed Finish

24" - 32" Doors	PR-24 CD
32-1/4" - 36" Doors	PR-36 CD
36-1/4" - 48" Doors	PR-48 CD

#### Extension Rod Kit for S1150 Series

18 inch	VRX-18
24 inch	VRX-24

# S1150 & S1250 Series Exit Devices

## Classic Product

### S1150 & S1250 Exit Device Trim:

Matching trim available to complement: cylindrical locks mortise locks, exit devices, and alarms.

#### Functions:

**Passage** – Trim always operative.

**Storeroom** – Key retracts latch, key removable only when trim is locked.

**Classroom** – Key locks/unlocks trim.

#### Ordering Information:

Trim Type	Passage	Storeroom	Classroom
Lever	SRX01	SRX82	SRX87
Ball Knob	BD01	BD12	BD17
Tudor Knob	TA01	TA12	TA17
Plate	SF01	SF12	n/a

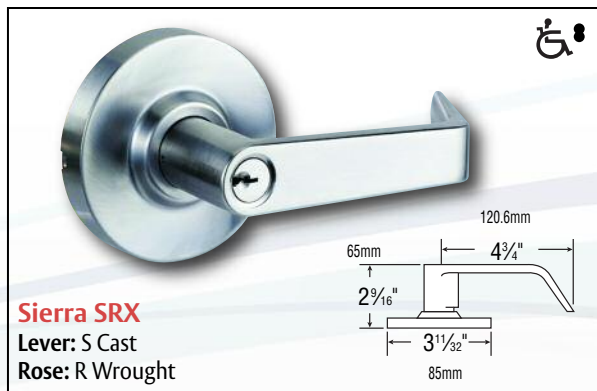
#### Finish:

**Knobs:** US3, US4, US10, US10B, US26, US26D

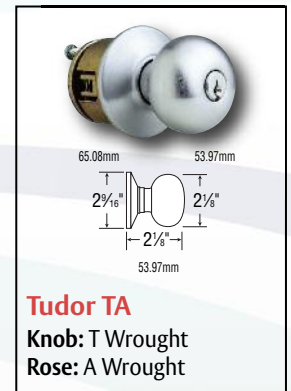
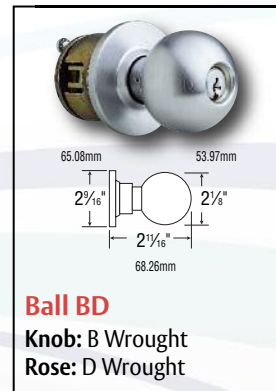
**Levers:** US26D, US10B

**Plate:** AL, BRZ

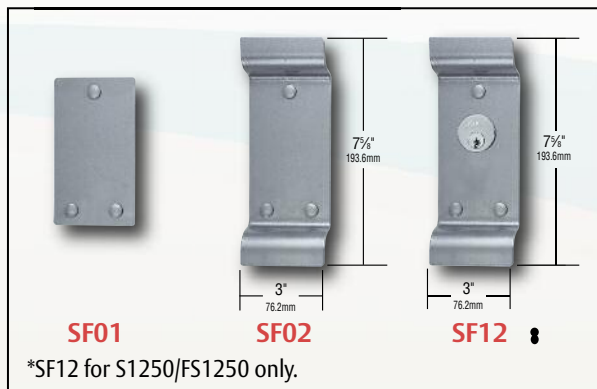
#### Lever Trim:



#### Knob Trim:



#### Plate Trim:



#### Lever Trim Cover Plate:

