



# MINI MECH LOCK



The CL50 is an easy-to-fit light duty mechanical push button lock with a tubular latch.

The CL50 is a mini mechanical lock, its compact size makes it suitable for low traffic, interior applications. The keyless lock provides immediate access with a 4-6 digit code length, providing 500+ code combinations. The lock comes in a silver gray finish and installation is simple; drill one hole for the latch, one for the spindle and two holes for the mounting screws. Control access to individual offices, store cupboards, school arts and IT storage. The CL50 is extremely versatile.



Easy to install



Suitable for wooden doors



Limited lifetime warranty\*

**511**

Total code combinations

## FEATURES

- Mini mechanical push button lock
- Dual backset deadlatch as standard
- 2<sup>3</sup>/<sub>8</sub>" and 2<sup>3</sup>/<sub>4</sub>" backset latches available
- Easy action interior lever
- Hold back feature allowing Code Free access
- 4-6 digit code length
- Suitable for low traffic applications
- Flat spring loaded spindle
- Silver Gray finish
- Non handed - locks will suit right or left hand hung doors
- Light duty deadlocking latch
- Neoprene seals included



## LOCK FUNCTIONS



### Hold Back Feature

As standard, supplied with a hold back feature enabled, allowing free entry when required, without having to use an access code. The function can be disabled during installation requiring code input to retract the latch and open the door.

### Code Change Method

Requires removal of the lock from the door. The code can then be changed by simply repositioning the tumblers in the code chamber. Locks are supplied with a random code commencing with the 'C' (Clear) button.

### Code Combinations

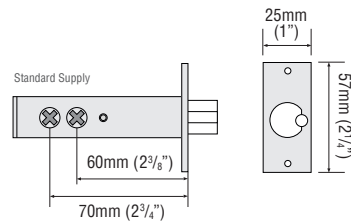
Digits may only be used ONCE in a code. For example, 1212 is not possible. A code, or combination, can be entered in any order; e.g. 1234 can be entered as 4321, or 1342 - whichever sequence is most convenient to remember.

## TECHNICAL SPECIFICATIONS

FEATURE	DESCRIPTION
Spindle Type	Flat spring loaded spindle
Material	Zinc Alloy
Finish Color	Silver Gray
Non Handed	Locks will fit doors hung on the left or right
Door Thickness	1 <sup>3</sup> / <sub>8</sub> " - 2 <sup>3</sup> / <sub>8</sub> " (35mm - 60mm)
Code Storage	Single Code
Buttons	10 stainless steel buttons
Install Options	Vertical only
Suitable For	Low traffic applications - interior use

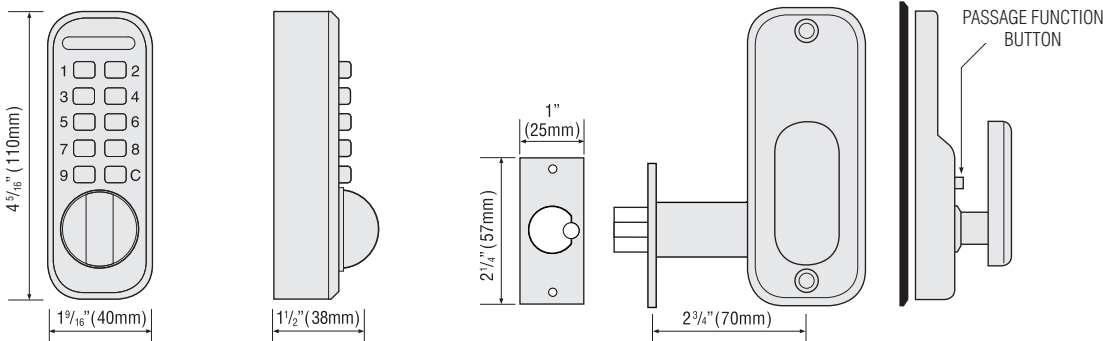
## LATCH OPTIONS

The CL50 features a light duty dual backset deadlatch.



Requires 1"(25mm) cross bore hole

## PRODUCT DIMENSIONS



Scan to shop!

[www.codelocks.com](http://www.codelocks.com)

