



HEAVY DUTY MECHANICAL ACCESS



Heavy duty mechanical locks with large full size lever handles, allowing use as the primary lock on doors.

The CL500 range of mechanical locks offer a variety of options. Allows the user flexibility on how to manage entry - by key, code or passage function entry.



Easy to install



Suitable for wooden/metal doors



Limited lifetime warranty*

2,047

Total code combinations

FEATURES

- Large full size lever handles with return to door
- Passage function access options
- Suitable for interior and exterior use
- Tubular latch and mortise lock models available
- Tumbler alignment for easy code change
- Large three coil lever return spring suitable for high traffic use
- Selected models available in stainless steel or polished brass finish
- Neoprene seals included



LOCK MODELS



CL510 / CL515

Tubular Latch

Medium duty deadlocking latch. Latch retracts by turning inside handle freely, or the outside handle after code input.



CL510 / CL515 BB

Back to Back Option (BB)

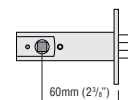
Medium duty tubular latch. Two coded plates for installation on both sides of the door. Provides coded access in both directions.

Other Models Available:

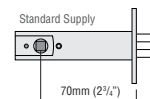
CL550 / CL555 Mortise Lock

Grade 1 ANSI American Mortise Latchbolt.

Two Tubular Latch Sizes Available:



Requires 1" x 3 1/4" (25mm x 82mm) hole



Requires 1" x 3 5/8" (25mm x 92mm) hole

ADDITIONAL FEATURES

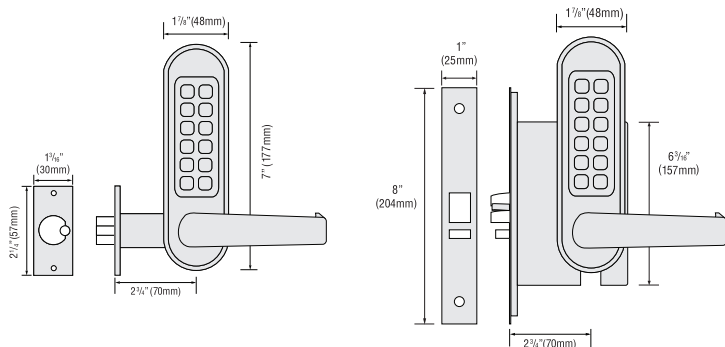
Passage Function

The CL515 and CL555 models provide a passage function option. The outside lever will retract the latch freely until disabled.

PRODUCT DIMENSIONS

CL510 CL515

CL550 CL555



TECHNICAL SPECIFICATIONS

Code Change Method

Requires removal of the lock from the door. The code can be changed by repositioning the tumblers in the code chamber. Locks are supplied with a random code commencing with the 'C' clear button.

FEATURE	DESCRIPTION
Spindle Type	Two part 8mm (5/16") spring loaded spindle
Tubular Latch	Medium duty deadlocking latch
Mortise Lock	Grade 1 ANSI American Mortise Latchbolt
Material	Zinc Alloy
Finish Color	Stainless Steel & Polished Brass
Non Handed	Locks will fit doors hung on the left or right
Door Thickness	1 3/8" - 2 3/8" (35mm - 60mm)
Codes	2,047 non sequential code combinations available
Code Storage	Single Code
Buttons	12 stainless steel buttons
Install Options	Vertical only
Suitable For	Interior and exterior use



Scan to shop!

www.codelocks.com

