



Maintenance Manual

Models Included:

10 Series Advantex Wide Stile Rim Exit Devices.

40 Series Advantex Narrow Stile Rim Exit Devices.

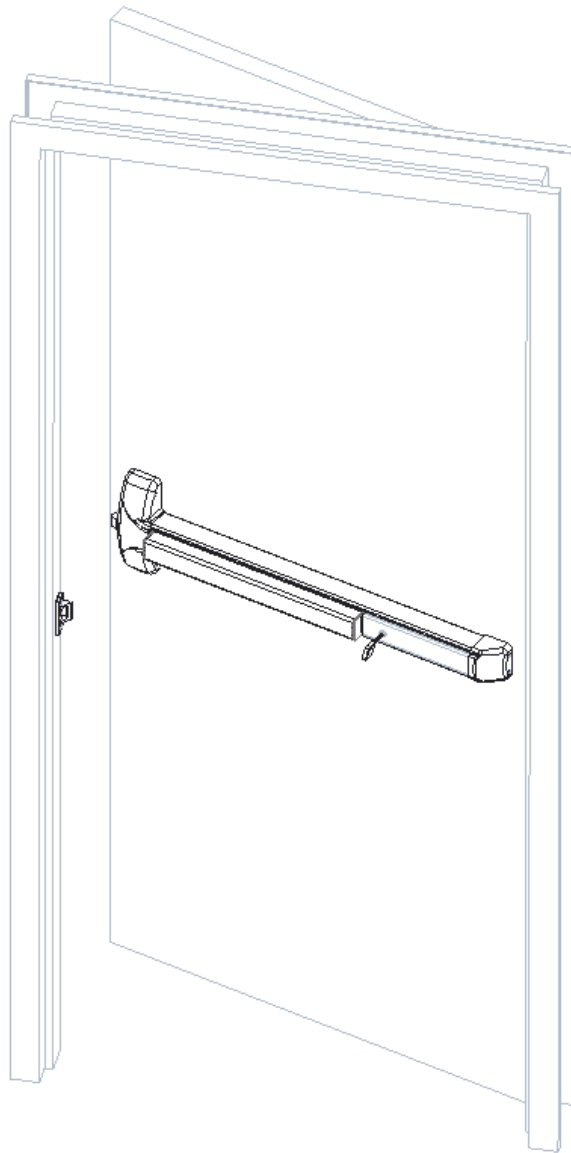
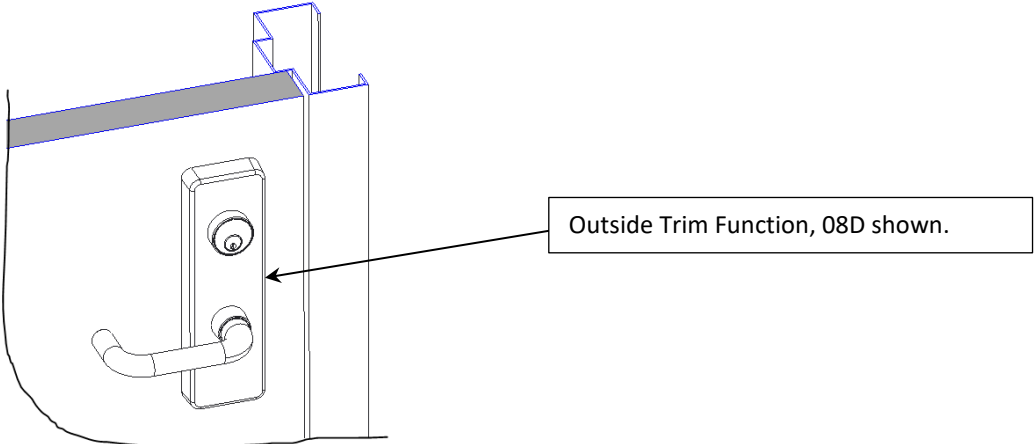
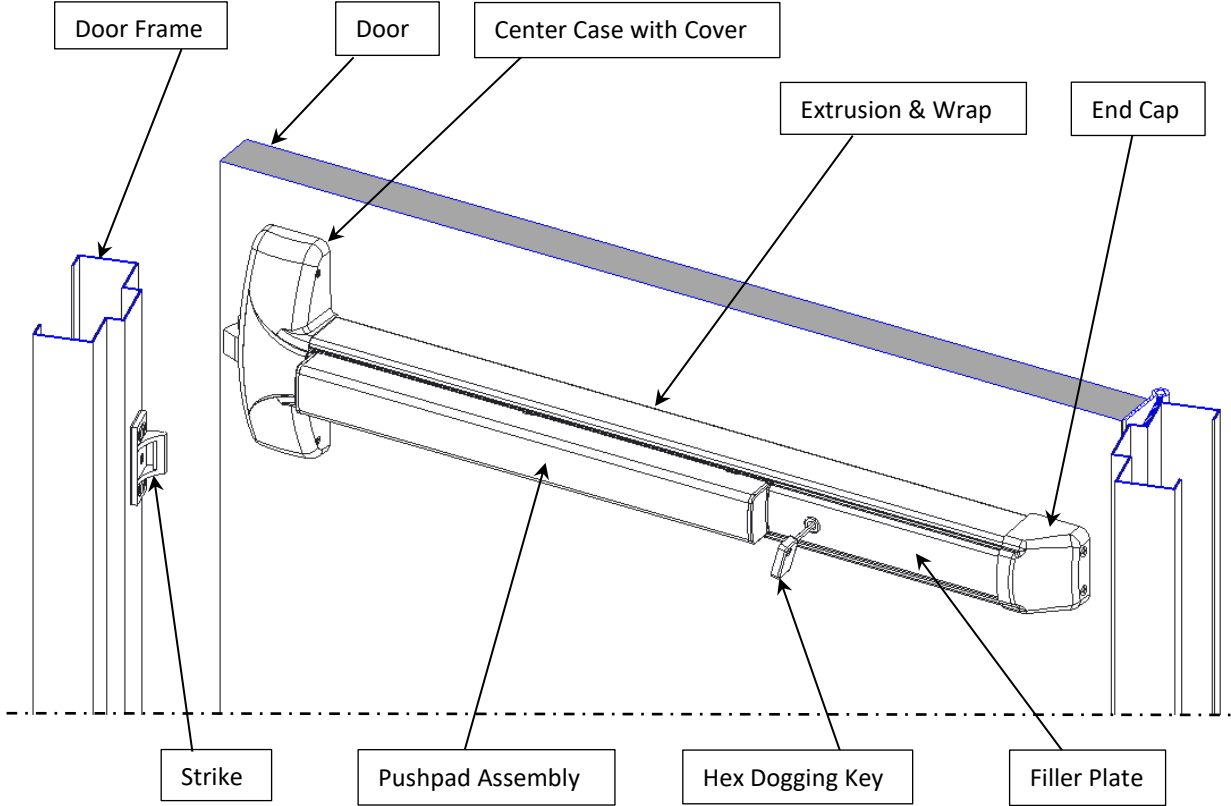


Table of Contents

Component	Page
Device Component Identification.....	3
Uninstalling Device	4
Door Strikes.....	8
Center Case.....	11
Pushpad.....	13
Filler Plate.....	14
Extrusion and Wrap.....	14
End Caps.....	15
Lubrication.....	16

DEVICE COMPONENT IDENTIFICATION



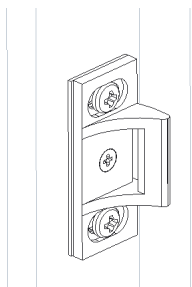
10 Series device shown with hex dogging option, LHR and outside trim option installed.

UNINSTALLING DEVICE

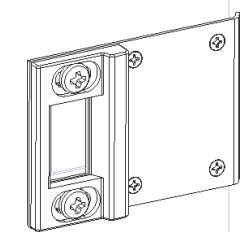
To facilitate maintenance procedures, the device must be removed from the door. Verify the functionality of the device before removing any hardware. Look for any misaligned components and missing or loose screws. Record the current status of the device, as this could help plan a maintenance program that will keep the device working properly and extend its service life. Use good quality tools with new tips to prevent damaging screws.

STEP 1. Open door to expose mounting screws for Strike, Center Case Cover and End Cap. Door must be held in this position to allow removal of all necessary hardware.

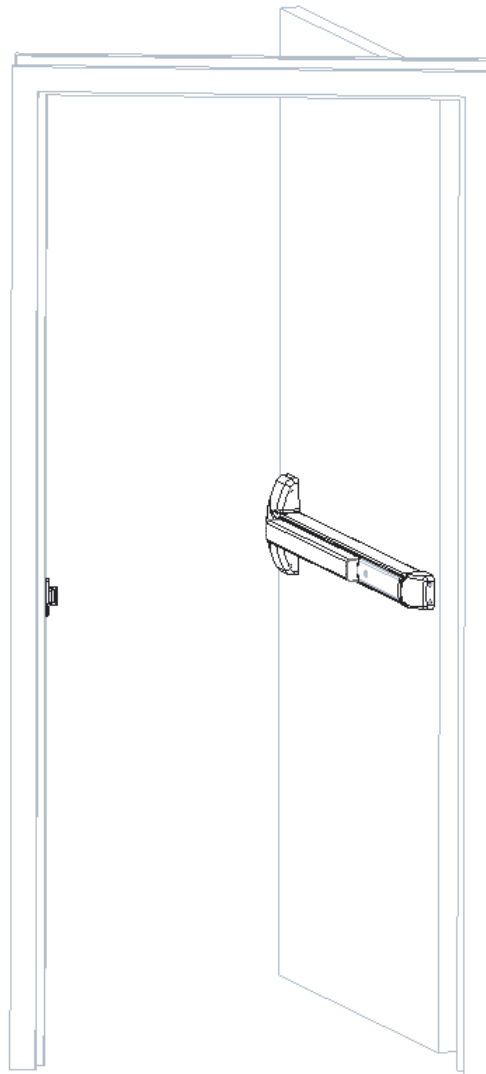
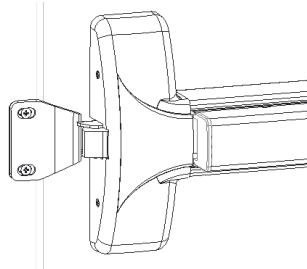
99 Strike is mounted with 3 screws.



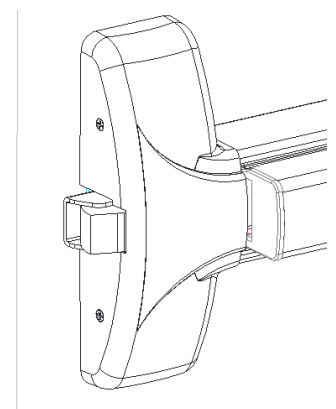
98 Strike is mounted with 2 screws; the shield uses 4.



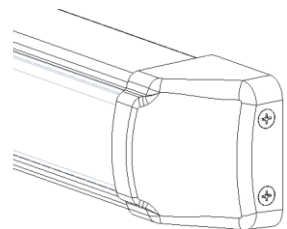
94 Strike is mounted with 2 screws.



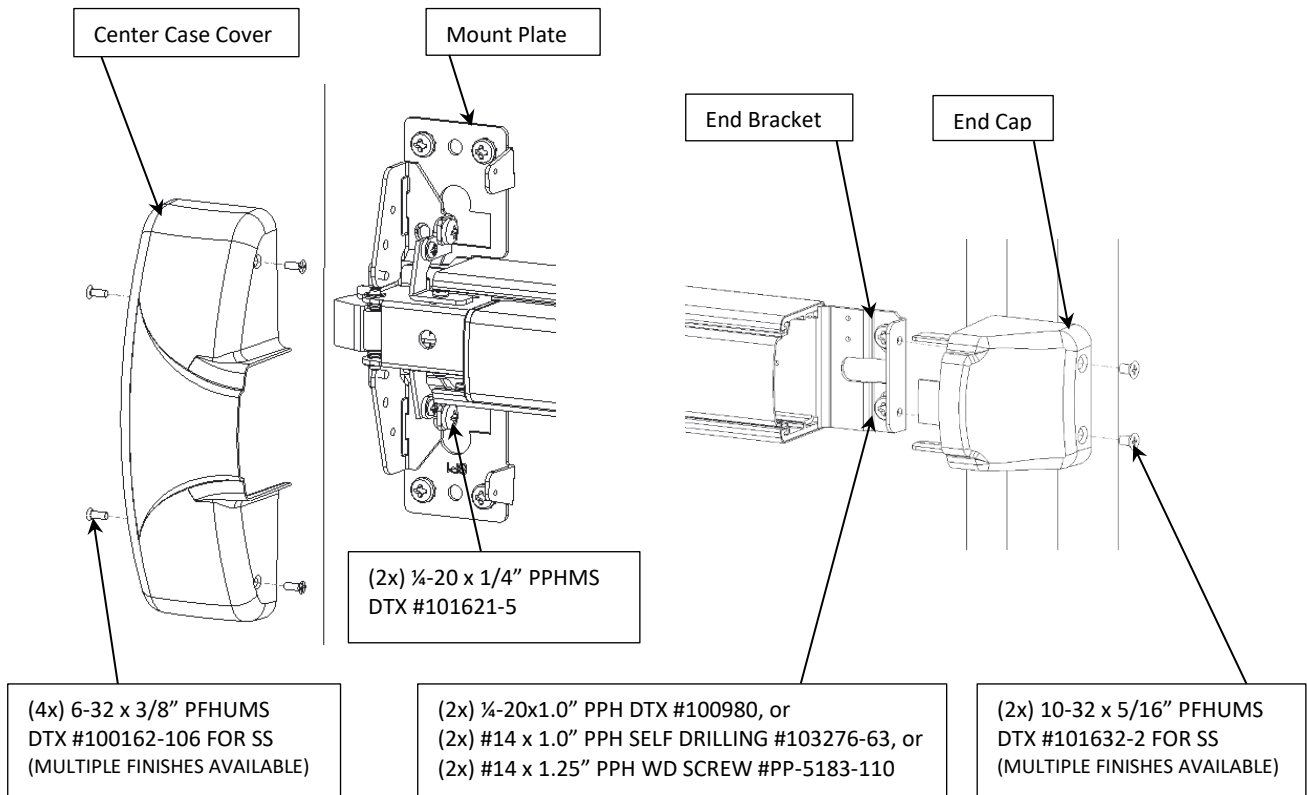
Center case cover is mounted with 2 screws on strike side and 2 screws on pushpad side (10 Series shown).



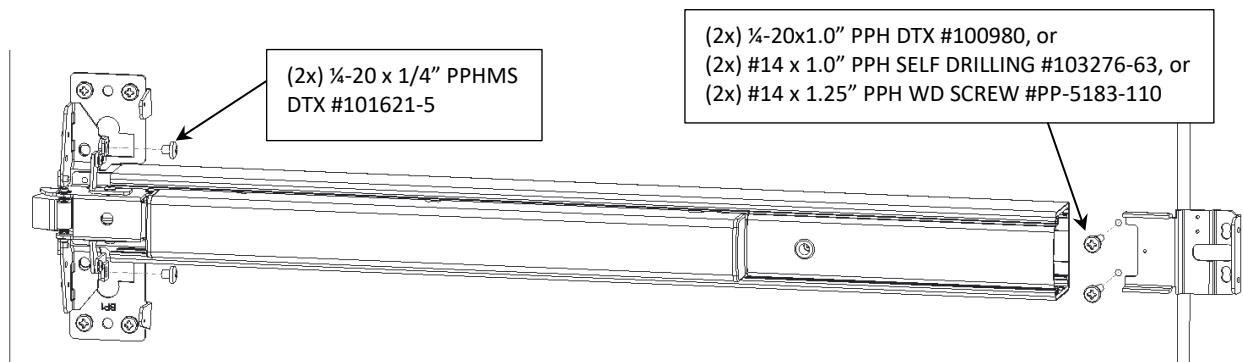
End cap is mounted with 2 screws.



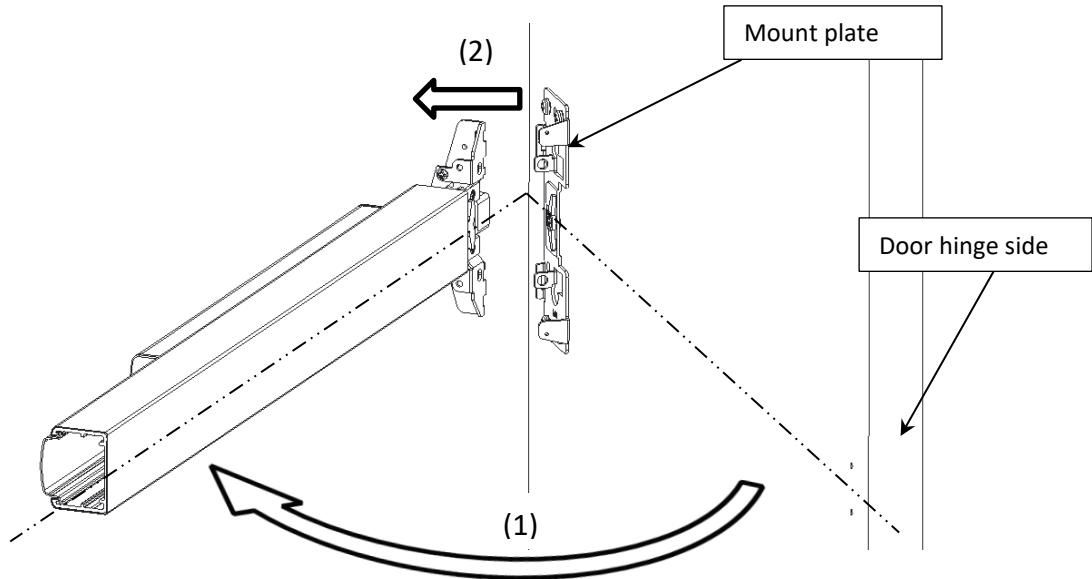
STEP 2. Remove 4 screws used on center case cover and pull it away from device to access the mount plate screws (2). Remove 2 screws used on end cap in order to access the end bracket mounting screws (2). Although the surface finish is strong and durable, handle the parts with care to avoid scratches or contamination from harsh chemicals during the service process.



STEP 3. Remove 2 screws on end bracket and slide it away from device, then remove 2 screws on mount plate while holding the device horizontally and against door to keep it engaged after removing all screws.

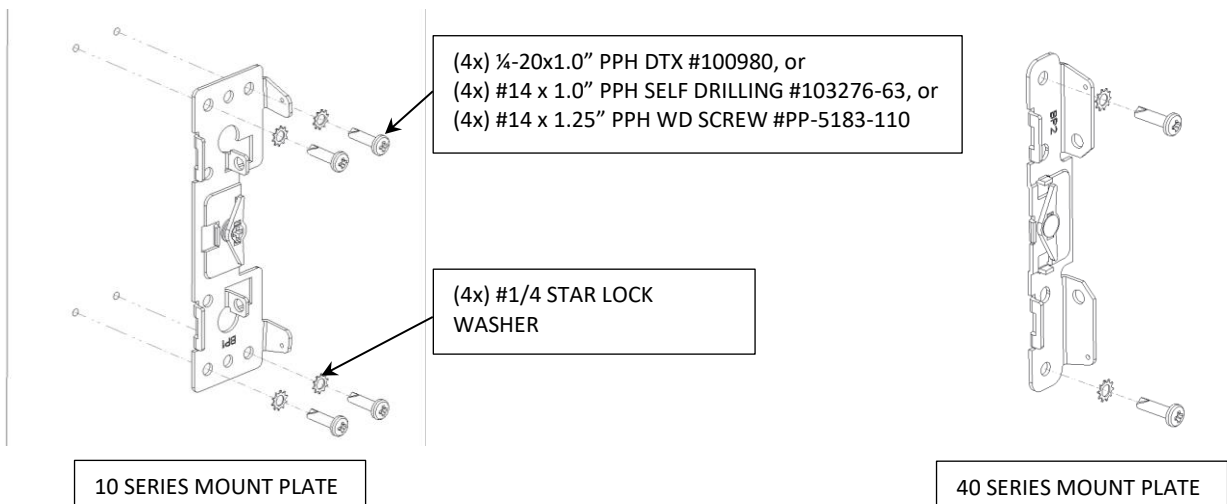


STEP 4. Push Pushpad and hold device with both hands. While keeping pushpad pushed, pull at hinge side end away from door (1), swinging the device against center case mount plate to disengage tabs and allowing device to pull free from mounting plate (2). Place device on a flat surface covered with a clean, soft cloth to avoid scratches or surface contamination.

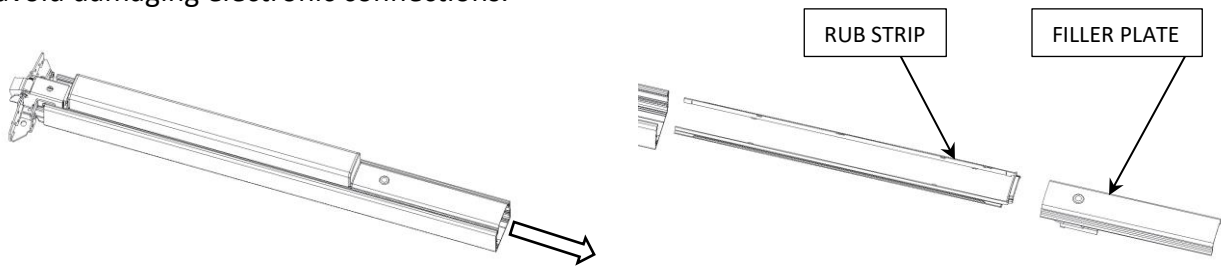


STEP 5. Uninstall mount plate removing screws shown below. These screws are also used to hold Outside Trim; if installed, it must be supported while removing screws. There are 3 different screw options that can be used during installation depending on device model used.

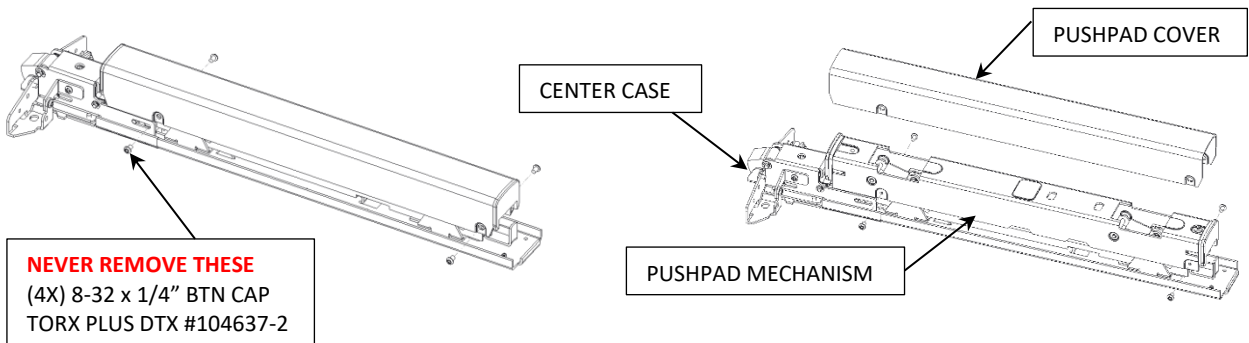
NO NEED TO REMOVE BACKPLATE



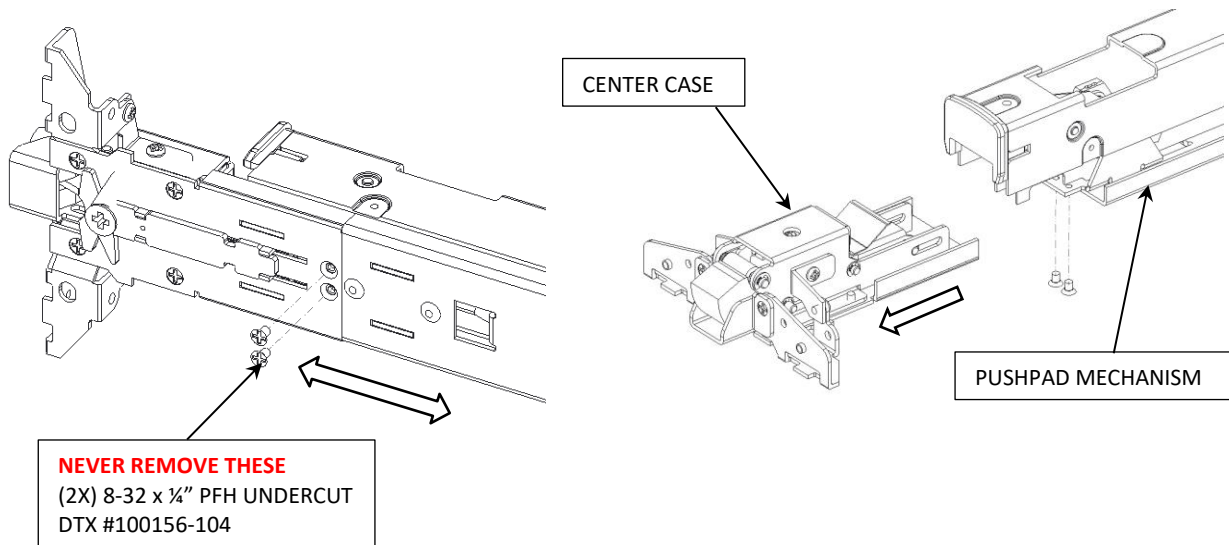
STEP 6. Uninstall device components, position device on its back and slide out filler plate and rub strip from housing. Filler plate may include wires; if so, these should be handled carefully to avoid damaging electronic connections.



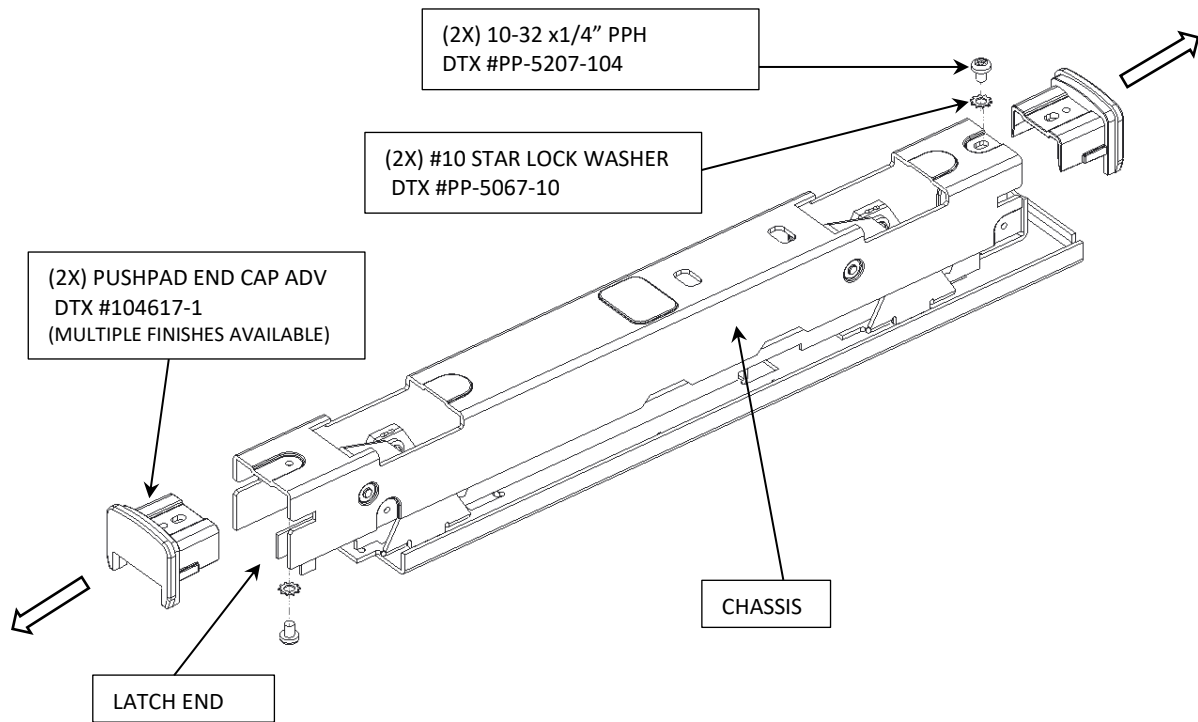
STEP 7. (SHOWN FOR REFERENCE ONLY) 4 cover screws that hold the pushpad assembly **should never be removed.**



STEP 8. (SHOWN FOR REFERENCE ONLY) center case is attached to pushpad mechanism at factory with screws and thread lock and **SHOULD NEVER BE REMOVED.**



STEP 9. (SHOWN FOR REFERENCE ONLY) This step concludes the disassembling of a 10/40 Advantex series rim exit device.

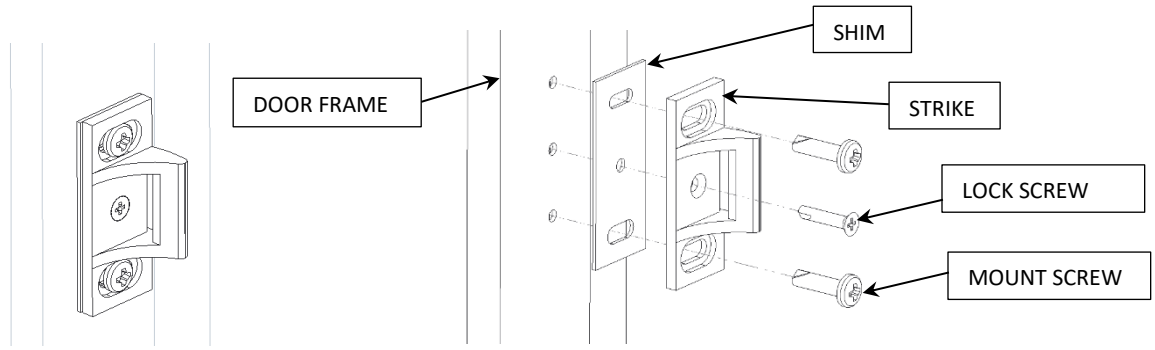


STRIKES – During maintenance, strikes do not need to be removed, may only need adjustment

Door Strikes shall be checked periodically for any debris or foreign material that could interfere with their primary function of keeping a door locked. Screws must be tightened and excessive lubricant or rust should be removed. The Advantex 10 and 40 series exit devices can be configured with 3 different door strikes.

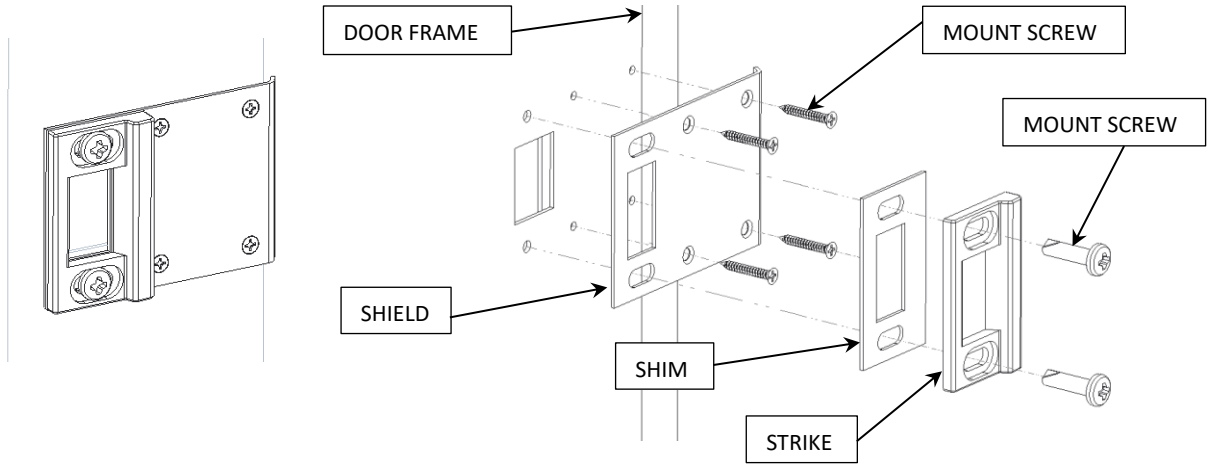
OPTION 1. 99 Strike Kit DTX #100855-2.

Strike model 99 is surface mounted with 3 screws and shimmed as needed to allow proper alignment with the latch of the device. The middle screw is installed after the strike has been adjusted and tested; it will secure the strike's position and prevent any further movement. Kit includes all parts shown below; additional mount screws are included (not shown) to accommodate varying door and frame construction.



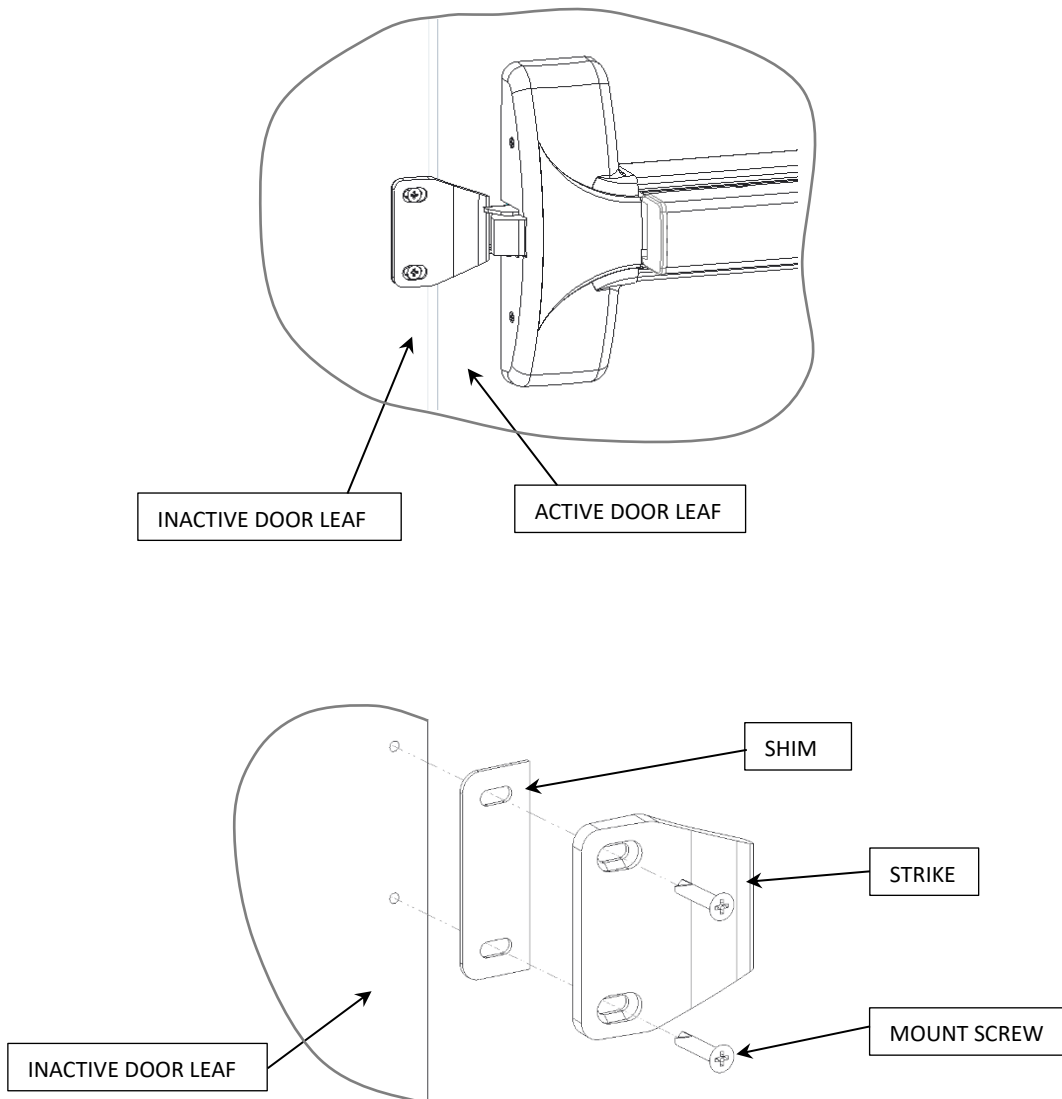
OPTION 2. 98 strike kit DTX #100855-1.

Strike model 98 is a half mortise mounted with 2 screws and is shimmed as needed to allow proper alignment with the latch of the device. It includes a shield that helps prevent tampering and is typically used on glass doors. Kit includes all parts shown below; additional mount screws are included (not shown) to accommodate varying door and frame construction.



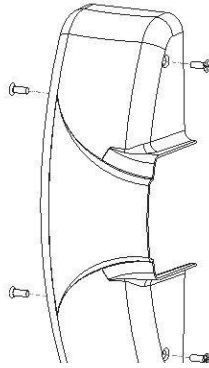
OPTION 3. 94 strike kit DTX #102212-1.

Strike model 94 is mounted with 2 screws and is shimmed as needed to allow proper alignment with the latch of the device. It is designed to be used on double-door applications with one side inactive. Kit includes all parts shown below; additional mount screws are included (not shown) to accommodate varying door construction.



CENTER CASES

Advantex 10 and 40 Series exit devices can be built with either a Wide Stile Center Case Cover (10 Series) or a Narrow Stile Center Case Cover (40 Series).

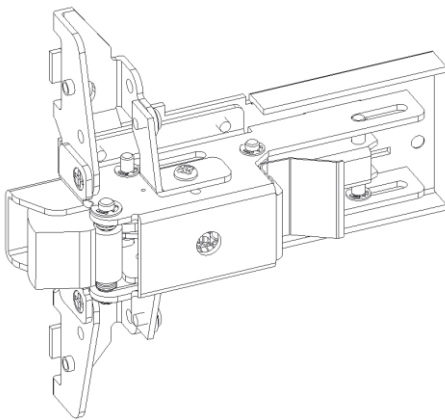


DTX #100196-X 10 SERIES SHOWN

DTX #	MODEL DESCRIPTION
100196-X	COVER WIDE RIM
100311-X	COVER NARROW RIM

Advantex 10 and 40 Series exit devices can be built in a variety of configurations. There are 3 main models of center case assemblies that can be found in a pushpad assembly, depending on the features that are required by the application.

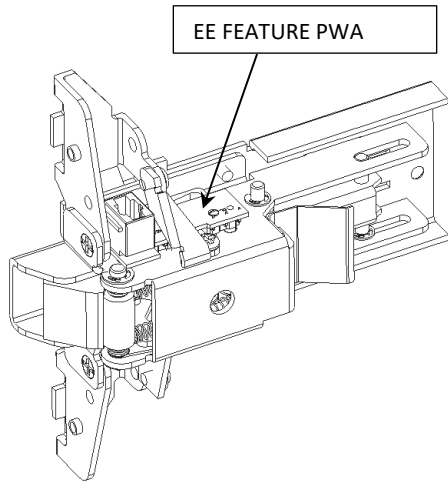
OPTION 1. Center Case Subassembly: Standard model DTX #100698-X, used as follows:



DTX #100698-2 10 SERIES SHOWN

DTX #	MODEL DESCRIPTION
100698-1	CENTER CASE ADV 40 LD/HD/CD/EA
100698-1W	CENTER CASE ADV 40 W LD/HD/CD
100698-2	CENTER CASE ADV 10 LD/HD/CD/EA
100698-2W	CENTER CASE ADV 10 W LD/HD/CD
100698-4	CENTER CASE ADV 10 ES/EI
100698-6	CENTER CASE ADV 40 ES/EI

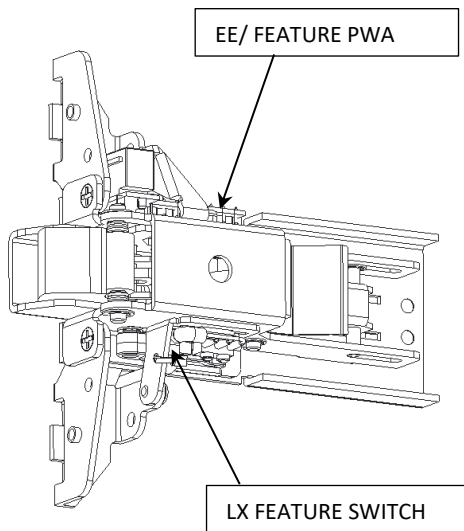
OPTION 2. Center Case Subassembly: EE OPTIONS DTX #104023-X, used as follows:



DTX #104023-2 10 SERIES SHOWN

DTX #	MODEL DESCRIPTION
104023-2	CENTER CASE ADV 10 EE
104023-3	CENTER CASE ADV 40 EE

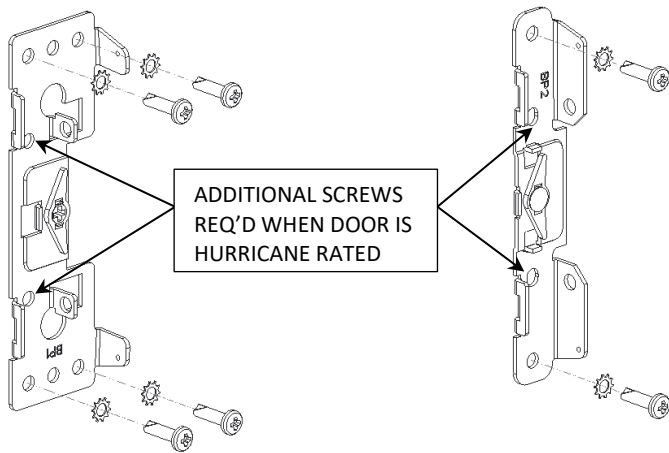
OPTION 3. Center Case Subassembly: LX/LXV OPTION DTX #103786-3, used as follows:



DTX #103786-2 10 SERIES SHOWN

DTX #	MODEL DESCRIPTION
103786-1	CENTER CASE ADV 40 EA/ED/ER/LD/CD ETC. LX
103786-2	CENTER CASE ADV 10 EA/ER/LD/ ETC. LX
103786-3	CENTER CASE ADV 10 EE/LX
103786-4	CENTER CASE ADV 40 EE/LX
103786-5	CENTER CASE ADV 40 EA/ED/ER/LD/CD ETC. LXV
103786-6	CENTER CASE ADV 10 EA/ER/LD/ ETC. LXV
103786-7	CENTER CASE ADV 10 EE/LXV
103786-8	CENTER CASE ADV 40 EE/LXV

Advantex 10 and 40 Series devices are mounted to a door through the center case, which is mounted to a specific plate attached with varying hardware, depending on door construction and application requirements. A mount plate kit contains the installation instructions and templates to mark and drill all necessary holes to attach a door strike and mount plate. Device main installation hardware kit includes mount plate's hardware.



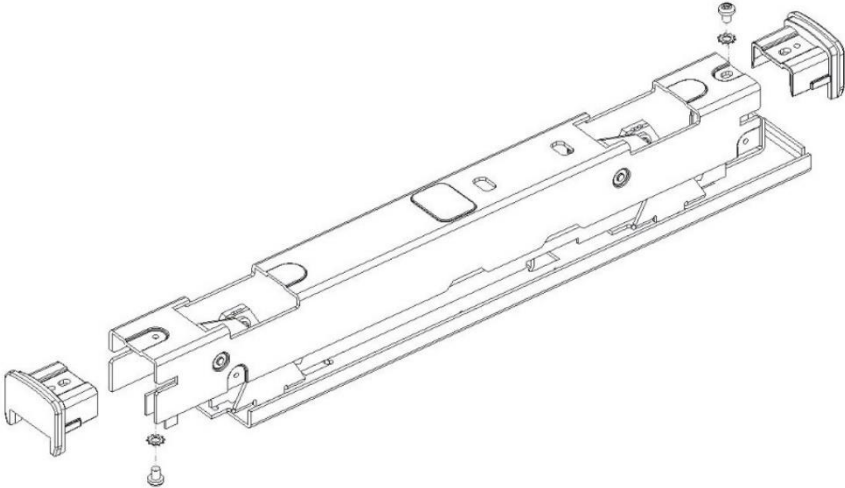
10 SERIES MOUNT PLATE

40 SERIES MOUNT PLATE

DTX #	MODEL DESCRIPTION
103806-1	BP2 RIM 98
103806-1W	BP2 RIM 98 W
103806-2	BP1 RIM 99
103806-2W	BP1 RIM 99 W
103806-3	BP2 RIM 99
103806-3W	BP2 RIM 99 W
103806-16	BP2 RIM 94
103806-16W	BP2 RIM 94 W
103806-17	BP1 RIM 94
103806-17W	BP1 RIM 94 W

PUSHPAD

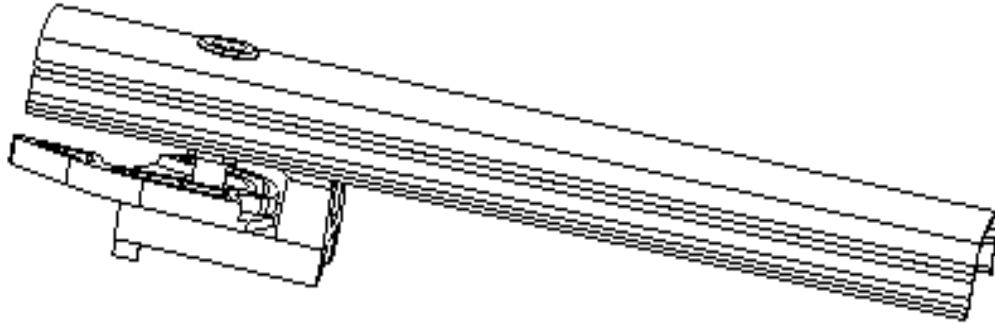
Advantex 10 and 40 Series devices are available with pushpad assemblies of three (3) different lengths (30", 36" or 48"). Each pushpad assembly can also have a variety of configurations, depending on the application of the device.



DTX #	LENGTH	CONFIGURATION
104610-X	30"	LD, CD, HD, EA, EI, ES, EB-W, ED, ER, EA-EX, EX-ES, EX, EX-W, EXV, EXV-W, LX-ES, EX-LX-ES, ER-EX-W, ER-EXV-W
	36"	
	48"	
104650-X	36"	EE Delayed Egress
	48"	

FILLER PLATE

Filler plates are held in place between the pushpad and the end cap; no screws or hooks are needed to hold the filler plates in place. Like the pushpad, filler plates have a variety of lengths and configurations depending on the application of the device.

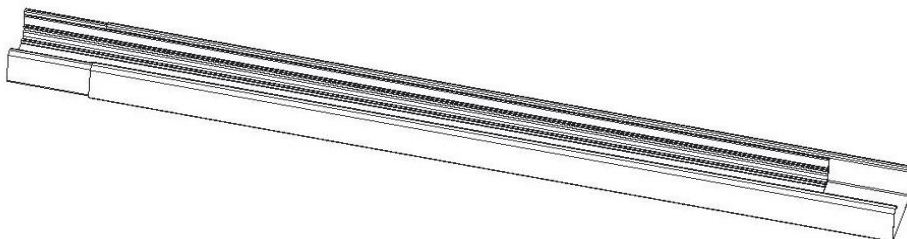


DTX # 100711-X CD SHOWN

DTX #	LENGTH	CONFIGURATION
100711-X	24"	LD, CD, HD, EA, EI, ES, EB-W, ED, ER, EA-EX, EX-ES, EX, EX-W, EXV, EXV-W, LX-ES, EX-LX-ES, ER-EX-W, ER-EXV-W
	30"	
	36"	
	48"	

EXTRUSION & WRAP

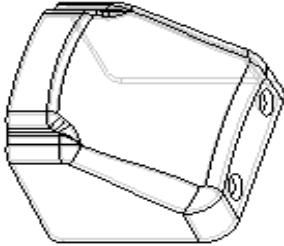
Extrusions and wraps come in a variety of lengths and finishes. The standard lengths are the same as for the pushpad and filler plate. However, custom lengths are available depending on the width of the door where the device is installed. The extrusion and wrap hold the body of the device without screws; the wrap just slides into the extrusion.



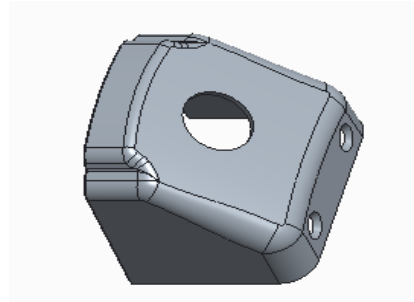
DTX #	LENGTH
101381-X	24"
	30"
	36"
	48"

There are two models of end caps for Advantex devices: the EC1 (ramped end cap) and the EC2 (flush end cap). Each model has an additional FC (flex conduit) option. All end caps are mounted with 2 screws into the end bracket.

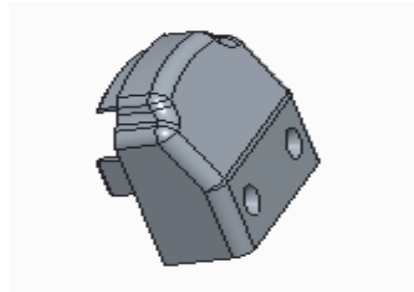
OPTION 1. EC1 DTX #101642-X.



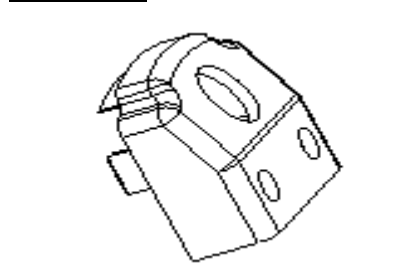
OPTION 2. EC1 FC DTX #102095-X.



OPTION 3. EC2 DTX #104304-X.



OPTION 4. EC2 FC DTX #104317-X.

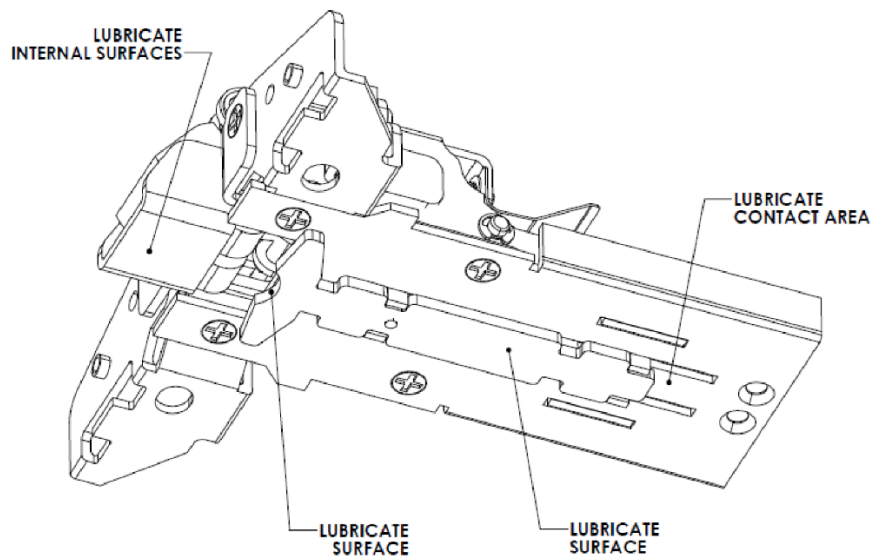
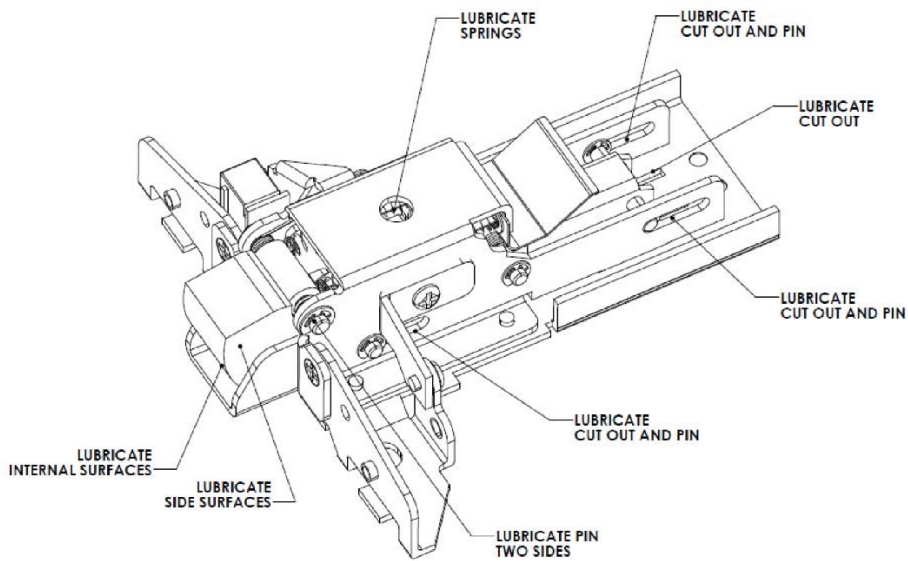


DTX DASH #	FINISH DESCRIPTION
-1	BHMA POLISHED BRASS 605 FINISH (US-3)
-2	BHMA BRUSHED BRASS 606 FINISH (US-4)
-3	BHMA POLISHED BRONZE 611 FINISH (US-9)
-4	BHMA BRUSHED BRONZE 612 FINISH (US-10)
-6	BHMA POLISHED CHROME 625 FINISH (US-26)
-7	BHMA BRUSHED CHROME 626 FINISH (US-26D)
-8	BHMA POLISHED STAINLESS STEEL 629 FINISH (US-32)
-9	BHMA BRUSHED STAINLESS STEEL 630 FINISH (US-32D)
-10	UNFINISHED
-16	BLACK PAINTED BHMA 693
-17	DARK BRONZE PAINTED BHMA 695
-20	BHMA OIL RUBBED BRONZE 613 FINISH (US-10B)
-26	BHMA OIL RUBBED BRONZE 613 FINISH (US-10B)

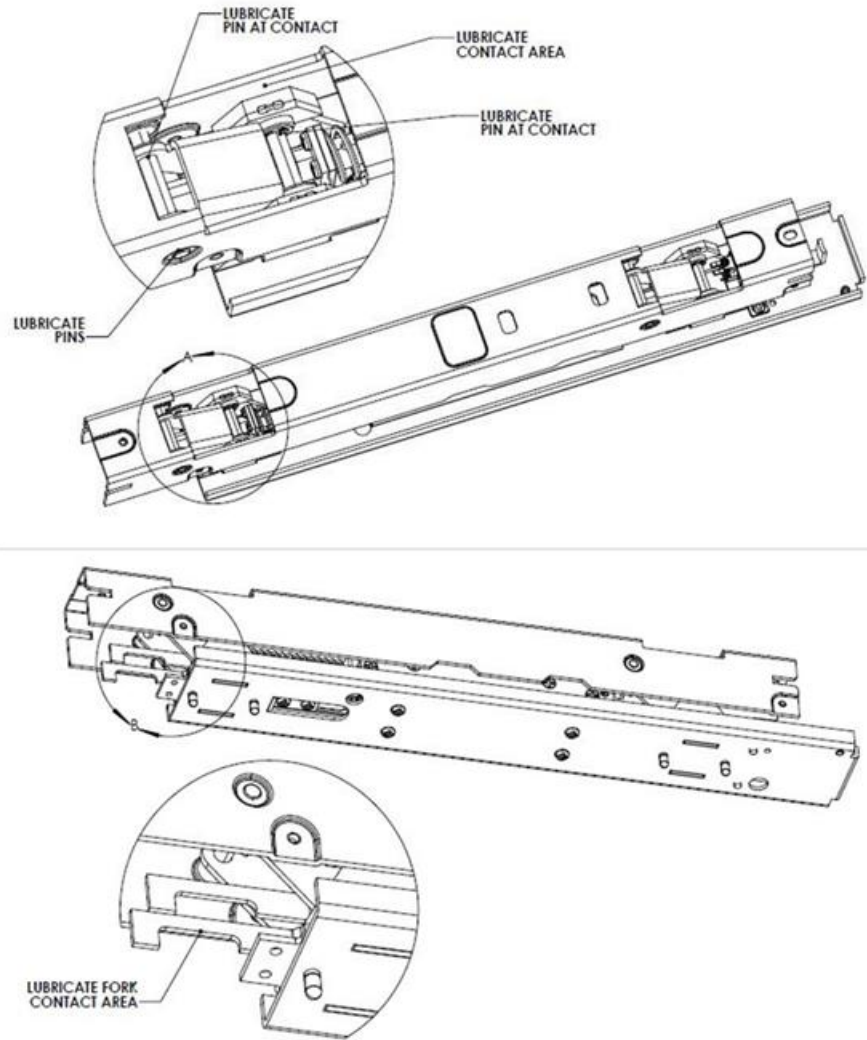
LUBRICATION

All Detex devices are delivered properly lubricated with a multipurpose synthetic grease. It is strongly recommended that all mechanical parts and surfaces of the device be periodically lubricated, inspected, and tested. Before applying lubrication:

- 1) Remove/Clean any foreign material from area to be lubricated.
- 2) Apply enough lubrication to assure penetration between moving parts.
- 3) Detex uses **NS-10895-G** from **Syn-Tech**. Spray lubricants may be used.
- 4) See diagram below for recommended points of lubrication.



SHOWN FOR REFERENCE ONLY - LUBRICATED AT FACTORY



Customer Service : 830-629-2900

Website: www.detex.com

Detex Corporation. 302 Detex Drive, New Braunfels, Texas 78130-3045

DETEX®