

# New Product Review

# DON-JO MFG., INC.



**New Barn Door Hardware Sets**

## **Did You Know?**

*Don-Jo Has Two Shipping Locations to Better Serve you*

*East Coast*

*Sterling, MA*

*West Coast*

*Reno, NV*

*Never File Strikes Again!*



**EH-161  
Extended Height Latch Bolt Hole**



**New ADA & Title 24 Signs**



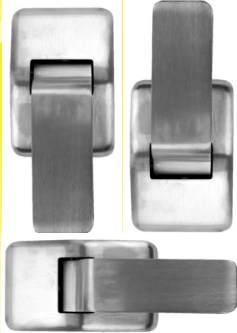
**Black Hardware in Stock!**

## *Industry Firsts!*



**Hinge Side Wrap Arouds & ASA Strike Wrap Arouds**

## Did You Know? Don-Jo Stocks Hospital Push/Pull Latches for Immediate Delivery!



*Cylindrical Latch, 1/2throw, passage function*

- The 4500 Series is 2-3/4" backset
- The 4550 Series is 5" backset
- Equal and Comparative to GJ, Hager, Rockwood and Trimco
- UL Listed, Meets ADA
- For 1-3/4" Doors
- Field Reversible
- **Stainless Steel**

## New Exit Sign



**HS-9070-38**

- Provides visual, tactile and Grade 2 Braille information to assist all employees and visitors.
- Designed to meet Federal ADA/ ADAAG guidelines for content, symbol design, text style, Braille translation and color contrast.
- Braille dots meet ADA requirements for size, shape and spacing.
- 6" x 9"
- Matte-finish acrylic reduces reflections and glare for better visibility.
- Includes adhesive mounting strips for easy installation.

## All Gender and Title 24 Signs



**CHS 9 – Title 24,  
All Gender**

CHS 9 should be mounted on the door.  
Does not have braille



**HS 9070 33 – All Gender**

6" x 9"  
HS 9070 33 should be mounted on the wall next to the door. Includes braille

## Other Title 24 Signs



CHS 1  
CHS 6



CHS-2  
CHS-7



CHS-3  
CHS-8



CHS-4



CHS-5



HS-9050-01  
HS-9060-01  
HS-9070-01  
HS-9090-01



HS-9060-02  
HS-9070-02



HS-9060-03  
HS-9070-03



HS-9070-07



HS-9060-04  
HS-9070-04



HS-9050-05  
HS-9060-05  
HS-9070-05  
HS-9090-05



HS-9060-22  
HS-9070-22



HS-9070-08

## Corbin Russwin, Best, Sargent & Schlage Mortise Lock Wrap

### Ease of Installation for Sectional Mortise Locks!

No more drilling holes in stainless steel for select Corbin Russwin, Best, Sargent and Schlage mortise locks.

- Use 4020 CW for Corbin Russwin and Best Single Cylinder Functions
- Use 4020T CW for Corbin Russwin and Best Single Cylinder w/Thumb Turn
- Use 9080 CW for Schlage Single Cylinder Functions
- Use 9050 CW for Schlage Single Cylinder with Thumb Turn
- Use 8255 CW for Sargent 8204, 8255, 8206 and other Single Cylinder Functions

\*Please provide handing when ordering  
Ex: 9050 S CW RHR



Model	Size	Door
4020 CW	5" x 12"	1 3/4"
4020T CW	5" x 12"	1 3/4"
9080 CW	5" x 12"	1 3/4"
9050 CW	5" x 12"	1 3/4"
8255 CW	5" x 12"	1 3/4"

Finishes: S/630 PB/605 BZ/612 10B/613

## EW-161 Extended Width Latch Bolt Hole | EH-161 Extended Height Latch Bolt Hole

### Industry First! No more filing strikes!



EW-161

EH-161

- The **EW (Extended Width)** strike has an increased latch bolt hole width to accommodate for bowed doors or binding in latch/strike locations.
- The centered hole gives an extra 3/16" width.
- 4 7/8" x 1 1/4"
- The **EH (Extended Height)** strike has an increased latch bolt hole height to allow for fluctuations in latch/strike locations.
- The centered hole gives an extra 1 / 4" to the top and bottom of the latch cut out (1 / 2 " total)
- 4 7/8" x 1 1/4"
- Both the EW-161 and the EH-161 are available in 622, 630, DU Finish.

## Custom Adaptor Rings



Custom Spacer for Schlage NDE Locks.

For installing NDE's on 1 3/8" doors.

AR NDE 630



Custom Spacer for Yale NexTouch Deadbolts YRD.

For installing on 1 3/8" doors.

AR YRD

## Roller Latch w/Angle Stop



1706 - Roller Latch with Angle Stop

Finishes: 613, 622, 626

1706 - 626



1706 - 613

*Want to know more? Visit [www.don-jo.com](http://www.don-jo.com)*

## TLP 110 – Narrow Latch Protector with Thru-Bolt Fastening



- Narrow Latch Protector for Outswing Doors
- New Thru-Bolt Fastening Method
- Works with most Exit Device Trims
- Works with most Mortise Lock Trims
- 1 1/2" x 10"

Finishes: TLP 110–630 (Stainless Base)  
TLP 210–DU, PC, SL (Steel Base)

Model
TLP 110 (shown)
TLP 210 SL
TLP 210 DU
TLP 210 PC

## FDT Frame Dimpler

- Aids in hollow metal door frame installation.
- Used when installing a new hollow metal frame in an existing masonry or stud opening.
- Hardened steel. Uses an Allen screw & wrench to smoothly add a dimple to the door.
- The FDT-1 makes the job an easy one with a professional looking fit to the fasteners.
- The tool is double-sided; after extensive use simply use the opposite side. Two allen screws and a long-arm allen wrench are also included.



## DB 478M Dust Box



### *Forgot to weld in a dust box?*

Use the new Don-Jo  
**DB 478M Aftermarket Dust Box** -  
Installs behind a 4 7/8" strike.



- Works with 4 7/8" strikes and standard latch ANSI strikes
- Pocket depth is 7/8"

**Black Plastic**

## *Did You Know?*

**Don-Jo makes Custom Plates and Wrap-Arounds for most access control locks**



**Got a problem you need solved?**  
[sales@don-jo.com](mailto:sales@don-jo.com)

## Industry Firsts!

### Hinge Side Door Wrap Around with Hinge Reinforcement Prep

#### Repair Damaged or Destroyed Hinge Preps.

Prepared and reinforced to accept 4-1/2" or 5" Standard Weight Hinge\*. Ready out of the box, no additional prep required.



**45-FE**

Model	Size	Finishes	
45 CW	5"x12"	S/630	10B/613
50 CW	5"x12"	S/630	10B/613
45 FE	1"x12"	S/630	10B/613
50 FE	1"x12"	S/630	10B/613

### Inactive Door Wrap Around with ASA Strike Prep

#### Wrap Around for Inactive Door

Prepared and reinforced to accept 4-7/8" ASA Strike\*. Ready out of the box. No additional assembly required.



Model	Size
478 10B CW	5"x12"
478 S CW	5"x12"
478 10B FE	1"x12"
478 S FE	1"x12"

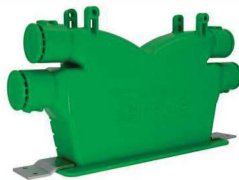
*\*Hinges and Strike Sold Separately*

## Frame Frog - Wire Pathway and Prep Kits

WP4L 001



WP4S 001



The universal design offers an easy, professional solution for all electronic locks, strike, card readers, and any other devices of a fully operational access control system.

- Unique patented shape forces fish tape down a chosen path with the flick of a finger
- Adjustable wing tabs allow for anchoring to a variety of door frame depths
- Attachment screw rotates and raises wing tab behind the frame to secure in place
- Four connection ports for multiple pathway arrangements
- Kits available

WPK2LS 001 Kit



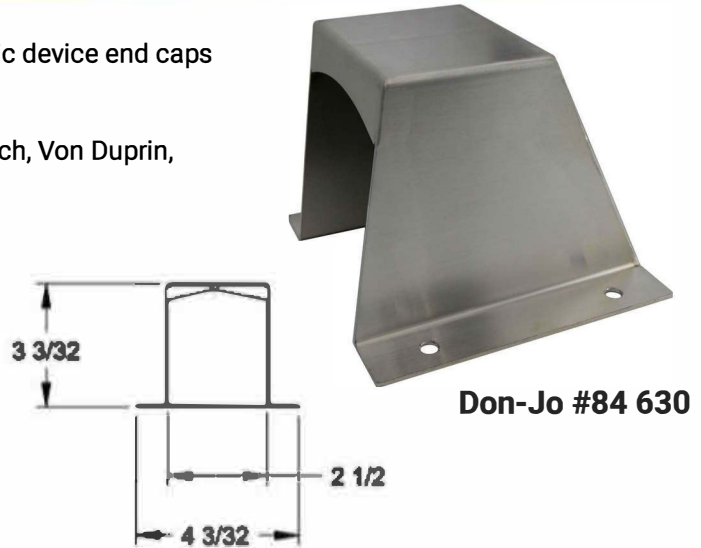
## #84 Panic Device End Cap Protector

Designed and manufactured in America to protect panic device end caps from damage and destruction.

The unit fits over Corbin-Russwin, Sargent, Yale, Monarch, Von Duprin, and Adams-Rite units.

4" Overall Length.

For endurance and reliability, this unit is made of 18 gauge stainless steel with a 630 finish (32D).



## #87 Door Protector



Length: 8-3/4", Width: 2"  
Projects 3-1/4"  
7 Gauge Stainless Steel

Protect Locks and Exit Devices from Carts, Gurneys and other Damage.



## Cylinder & Deadbolt Finger Pulls



**1874 DOOR PULL  
WITH 1 1/4" HOLE**

For Mortise or Rim Cylinder  
630 Finish  
3 3/4" X 2"



**1875 DOOR PULL  
WITH 2 1/8" HOLE**

For Cylindrical  
Deadbolt 630 Finish  
4 1/2" X 3"

## The Architectural Pull Collection



*For pricing on standard or custom pulls contact [quotes@don-jo.com](mailto:quotes@don-jo.com)*



## Barn Door/Sliding Door Hardware Sets



**BD1815**  
3/4" Round Pull



**BD1837**  
1" Half Round Pull



**BD1830**  
3/8" x 1-1/4" Flat Bar Pull



**BD18**  
Flush Pull Only

Pair our ever-popular Architectural Flush Cup Pull with one of our Standard Pulls to create a competitively priced, architecturally appealing solution to Barn Doors/Sliding Doors.

- Stocked in 630, 613, and 622 Black

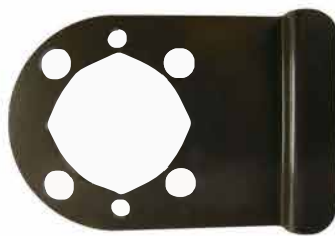
- All Pulls 6" CTC

Custom Finishes Available

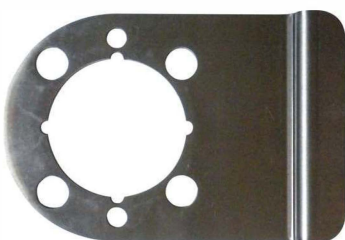
- Full Pull Dimension: 2-1/2" x 7"

## New WSLP "Slipper" Latch Guard

WSLP "slips" under the rose of cylindrical locks (2-3/4" BS)



**WSLP 204 (SL or DU)**

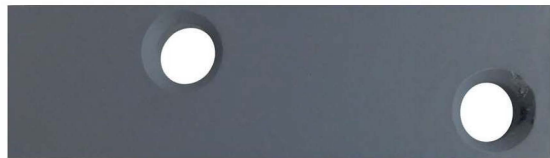


**WSLP 104 630**

## Frame Filler for GJ 100 & Rixson Overhead Stops

**OH 100 PC**

For GJ100, ABH and Don-Jo concealed OH stops



**OH 16 PC**

For Rixson #1 & 6 concealed OH stops



## Heavy Duty Hinge Pin Stop



### 1512 Hinge Pin Stop

- For 4 1/2" x 4 1/2" hinge
- Opens to 170 degrees
- Easy to Install
- Replaces Existing Pin



**1513CP**  
shown installed



### 1513 Hinge Pin Stop

- For 4 1/2" x 4 1/2" hinge
- Opens to 170 degrees
- Easy to Install
- Uses Existing Pin
- Works with All Commercial Hinges

## Heavy Duty Crash Chain in Dark Bronze



Part #	Size
HDCC 2012 DU	20.5"
HDCC 2512 DU	25.5"
HDCC 3012 DU	30.5"

## Extended Lip Strikes in Polished Stainless



## Did You Know?

Don-Jo makes emergency release tools for Privacy Door Latches



Don-Jo #1606  
Privacy Door Latch

1606 ERT

Works with Don-Jo #1606 and other manufacturers Privacy Door Latches

Part #	Part #
EL 115 629	9115 629
EL 175 629	9175 629
EL 102 629	9102 629
EL 125 629	9125 629
EL 103 629	9103 629
EL 104 629	9115 629 RC
EL 115 629 RC	9175 629 RC
EL 175 629 RC	9102 629 RC
EL 102 629 RC	9125 629 RC
EL 125 629 RC	9103 629 RC
EL 103 629 RC	
EL 104 629 RC	

## Extended Lip Dimple Strikes



### "D" Shape Extended Lip Dimple Strike

2-1/4" tall

Available in lengths: 1-1/2", 1-3/4", 2", 2-1/2", 3", 4"

Custom lengths available - *per special quote*

Finishes: 605, DU, 630, 622

### "T" Shape Extended Lip Dimple Strike

2-3/4" tall

Available in lengths: 1-1/2", 1-3/4", 2", 2-1/2", 3", 4"

Custom lengths available - *per special quote*

Finishes: 605, DU, 630, 622

**Also available in ASA 4-7/8" versions**

## Black Finishes in Stock!



Part #	Part #
90 BK Kick Plates	7119 315 Pull Plate
70 BK All Size Push Plates	1700 622 Roller Latch
19 315 Door Pull	1702 622 Roller Latch
20 315 Door Pull	1704 622 Roller Latch
ADA Signs	2021 622 Coordinator
1406 622 Convex Wall Bumper	2040 622 Coordinator
1407 622 Concave Wall Bumper	9234 622 T Strike
1440 622 Low Dome Stop	ST 214 622 Replacement Strike
1442 622 High Dome Stop	ST 214 RC Replacement Strike
1450 622 Low Goose Stop	EL 100's Ext. Lip Strikes
1452 622 High Goose Stop	ETS 100's Ext. T Strikes
1504 622 Base Stop	PDL 100 Pocket Lock
1506 622 Base Stop	PDL 101 Pocket Lock
1606 622 Flip Lock	104 622 Edge Pull
125 622 Finger pull	106 622 Edge Pull

1156,1157,1158,1158,1160-315 1" Diameter offset door pulls

### **Non-Stock Items Also Available in Black**

Ladder Pulls • Wrap Arounds • Latch Protectors  
Filler Plates • Hinges

