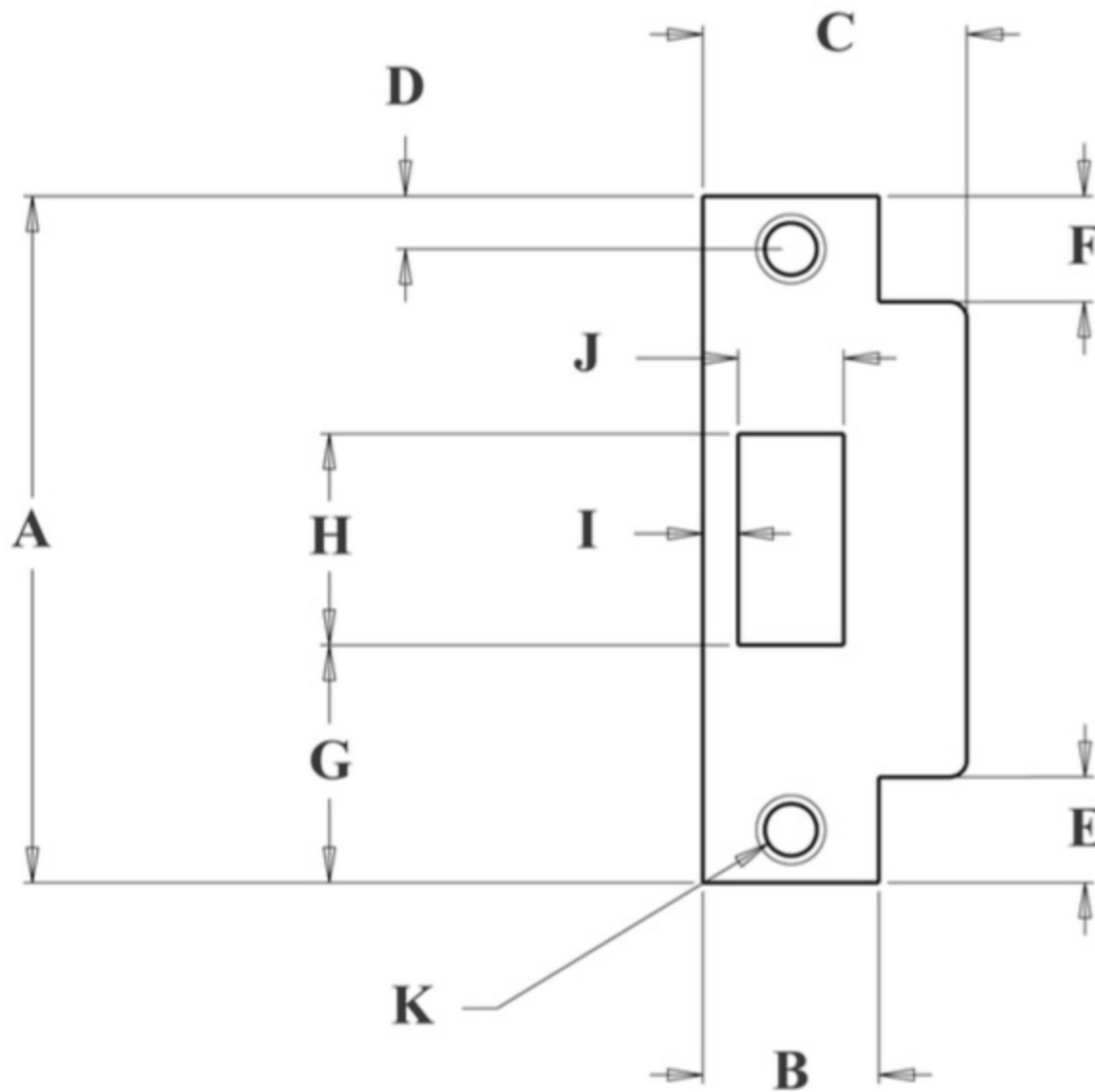


CUSTOM STRIKE ORDER FORM



* FOR STRIKES WITH
2 LATCH HOLES, PLEASE
ADD SECOND HOLE WITH
ALL NECESSARY
MEASUREMENTS *

** IF STRIKE IS HANDED
PLEASE NOTE HAND
SHOWN **

A=	E=	I=
B=	F=	J=
C=	G=	K (SCREW SIZE)=
D=	H=	

<u>PART #</u>	<u>FINISH</u>	<u>HANDING</u>	<u>QTY.</u>	<u>LIP</u>
CST-100	<input type="checkbox"/> 630	LH _____	_____	Flat
CST-200	<input type="checkbox"/> STEEL-BP	RH _____	_____	Curved
CST-200	<input type="checkbox"/> STEEL-DU			
CST-200	<input type="checkbox"/> STEEL-SL			

P.O. BOX 929 * STERLING, MA. 01564-0929

* PH (800) 628-8389 * FAX (800) 278-8202

E-MAIL: Quotes@don-jo.com * <http://www.don-jo.com>