



EMTEK® | Schaub

CABINET & BATH HARDWARE
2024 PRICE BOOK

Prices Effective February 2, 2024

EMTEK®

CABINET HARDWARE

| | |
|---------------------------|----|
| SELECT Cabinet Pull | 6 |
| SELECT Bar Cabinet Pull | 7 |
| SELECT Appliance Pull | 8 |
| SELECT Bar Appliance Pull | 9 |
| SELECT Cabinet Knob | 10 |
| SELECT Cabinet Edge Pull | 11 |
| SELECT Cabinet T-Knob | 12 |
| SELECT Finger Pull | 12 |
| Habitat | 13 |
| Industrial Modern | 14 |
| Modern Backplate | 15 |
| Modern Rectangular | 16 |
| Urban Modern | 18 |
| Contemporary | 22 |
| Mid Century Modern | 26 |
| Art Deco | 28 |
| Hollywood Regency | 30 |
| Timeless Classics | 31 |
| Transitional Heritage | 32 |
| Traditional | 34 |
| Geometric | 37 |
| Arts & Crafts | 38 |
| Ribbon & Reed | 40 |

| | |
|-----------------|----|
| Glass | 41 |
| Porcelain | 46 |
| Cabinet Latch | 46 |
| Sandcast Bronze | 47 |
| Tuscany Bronze | 51 |
| Wrought Steel | 54 |
| Stainless Steel | 55 |

APPLIANCE PULL

| | |
|---------------------------|----|
| SELECT Appliance Pull | 56 |
| SELECT Bar Appliance Pull | 57 |
| Habitat | 58 |
| Riviera | 58 |
| Westridge | 58 |
| Jasper | 59 |
| Warwick | 59 |
| Keaton | 59 |
| Freestone | 60 |
| Mod Hex | 60 |
| Blythe | 60 |
| Westwood | 61 |
| Alexander | 61 |
| Tribeca | 61 |
| Trinity | 62 |

| | |
|---------------------------|----|
| Bauhaus | 62 |
| Trail | 62 |
| Bar | 63 |
| Spindle | 63 |
| Rustic Modern Rectangular | 64 |
| Sandcast Bronze Rail | 64 |
| Tuscany Bronze Fluted | 64 |

BATH HARDWARE

| | |
|-----------------|----|
| Modern | 65 |
| Transitional | 66 |
| Traditional | 67 |
| Sandcast Bronze | 70 |
| Tuscany Bronze | 72 |
| Wrought Steel | 73 |
| Stainless Steel | 74 |

Schaub

CONTEMPORARY

| | |
|----------------------|-----|
| Pub House | 76 |
| Cafe | 79 |
| Heathrow | 80 |
| Baker | 81 |
| Sabre | 81 |
| Foncé | 82 |
| Lumiere | 83 |
| City Lights | 84 |
| Urbano | 87 |
| MODO | 88 |
| Aspero | 90 |
| Borde | 90 |
| Suave | 91 |
| Quadrato | 92 |
| Monza | 94 |
| San Marco | 94 |
| Armadio | 95 |
| Classico | 96 |
| Wave | 96 |
| Regatta | 96 |
| Sorrento | 97 |
| Finestrino | 98 |
| Positano | 100 |
| Skyevale | 102 |
| Mosaic | 104 |
| Italian Contemporary | 106 |
| Ice | 107 |

TRANSITIONAL

| | |
|----------------------|-----|
| Haniburton | 110 |
| Northport | 112 |
| Menlo Park | 115 |
| Empire | 118 |
| Lumiere Transitional | 120 |
| Steamworks | 121 |

TRADITIONAL

| | |
|-------------|-----|
| Atherton | 123 |
| Stargaze | 126 |
| Cabriole | 127 |
| Traditional | 128 |
| Colonial | 131 |
| Country | 132 |
| French Farm | 134 |
| Corinthian | 135 |
| Firenze | 136 |

RUSTIC

| | |
|-----------|-----|
| Stradella | 138 |
| Turno | 139 |
| Vinci | 140 |
| Mountain | 142 |
| Martello | 144 |
| Artifex | 145 |
| Siena | 146 |

APPLIANCE PULL

| | |
|----------------------|-----|
| Pub House | 149 |
| Italian Contemporary | 149 |
| Monza | 150 |
| Atherton | 150 |
| Cabriole | 150 |
| Traditional | 151 |
| Country | 151 |
| French Farm | 151 |
| Northport | 152 |
| Corinthian | 152 |
| Siena | 152 |
| Turno | 153 |
| Mountain | 153 |
| Artifex | 153 |
| Mountain Twig | 153 |
| Empire | 154 |
| Versailles | 154 |
| Colonial | 154 |
| Haniburton | 155 |
| Heathrow | 155 |
| Foncé | 155 |
| Lumiere | 156 |
| Lumiere Transitional | 156 |
| Steamworks | 156 |
| Menlo Park | 157 |
| Vinci | 157 |
| Hinges | 158 |

SYMPHONY

| | |
|--------------------|-----|
| Fused Glass | 161 |
| Fair Isle | 162 |
| Avalon Bay | 163 |
| Cantata | 164 |
| Imperial Shell | 166 |
| Mother of Pearl | 167 |
| Tiger Penshell | 168 |
| French Court | 169 |
| Sunburst | 172 |
| Sonata | 173 |
| Versailles | 174 |
| Wine Themes | 175 |
| Nature | 176 |
| Heirloom Treasures | 177 |

| | |
|----------------|-----|
| Index - Emtek | 178 |
| Index - Schaub | 182 |
| Order Form | 186 |
| Warranty | 187 |

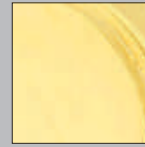
***Unlacquered Brass (US3NL)** is a custom, made-to-order finish. It is available with an upcharge, per item and requires an additional 2-3 day lead time. This living finish will gracefully age and evolve in appearance over time. Because of this characteristic, no finish warranty is offered on unlacquered brass products.



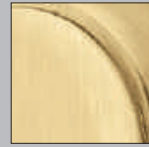
Polished Brass (US3)



Polished Brass - Lifetime (US3)



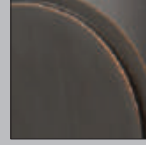
Unlacquered Brass (US3NL)*



Satin Brass (US4)



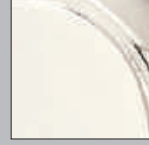
French Antique (US7)



Oil Rubbed Bronze (US10B)



Polished Nickel (US14)



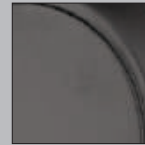
Polished Nickel - Lifetime (US14)



Satin Nickel (US15)



Pewter (US15A)



Flat Black (US19)

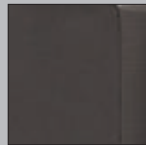


Polished Chrome (US26)

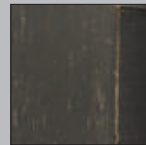


Satin Copper (SCU)

Bronze Patina is a living finish that will age gracefully, revealing the underlying bronze over time. Because of this characteristic, no finish warranty is offered on bronze patina products.



Flat Black Bronze Patina (FB)

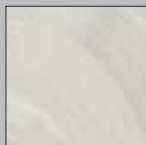


Medium Bronze Patina (MB)

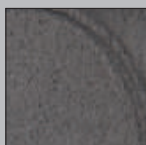


Tumbled White Bronze (TWB)

Stainless Steel carries a five-year finish warranty. All stainless steel will require some periodic cleaning to keep your hardware looking like new.



Brushed Stainless Steel (SS)



Flat Black Steel (FBS)



Satin Steel (SWS)

ORDERING AND RETURNS**Placing Orders**

You have several options to place an order:

- Email: orders@emtek.com
- Fax: 800-577-5771
- Phone: 800-356-2741
- Online: webshop.emtek.com

Hours of Operation

Monday – Friday: 5:00 AM - 5:00 PM Pacific Time.

Minimum Order Requirements

There are no minimum order quantity requirements.

Payment Terms

Net 30 Days on established credit.

Payment Options

We accept check, Visa, MasterCard, Discover, AMEX and ACH.

Sales Tax

Sales tax charges apply unless a resale certificate is provided.

Prices

All prices listed are in US funds. Our prices are subject to change without prior notice.

Product Care

Clean products with a damp, non-abrasive cloth using mild dishwashing liquid and warm water. Wipe dry with a soft cloth; avoid harsh cleaners or waxes to preserve the finish and warranty. Prevent water or soap residue to maintain the protective coating.

Shipping Claims

All shipping claims must be submitted in writing within 30 days after the scheduled delivery for packages that have been lost or damaged. Please include the EMTEK or Schaub order # and/or your PO#, package's tracking number along with photos for any damaged packages.

Returns

- For your convenience, returns within the United States do not require authorization. Returns can be processed directly from the Emtek Customer Portal (<https://extranet.assaabloydss.com/extranet/logindss.htm>) or Emtek Dealer Site (<https://www.emtek.com/dealer-sign-in/>).
- All returns from outside of the United States will require pre-authorization. Please contact Emtek Customer Service at 800-356-2741, option 4 or email your request to rga@emtek.com.
- EMTEK Customer Portal: Once you are logged into your account, locate the original order under the Shipped section and select Request CCF/RGA. A link to generate a UPS call tag can be found under the Tools drop down menu. Terms and conditions apply – see the website for details.
- EMTEK Dealer Site: After logging in, select Returns. Fill out the RGA form and follow the link to generate a UPS call tag. Terms and conditions apply – see the website for details.
- Returns will only be accepted for products shipped within 180 days of invoice date.
- A completed RGA form must accompany all packages for returned goods.
- Returns are accepted from the EMTEK or Schaub dealer who originally purchased the product that is being returned. Any refund or credit would only be made to the original dealer.
- All cabinet hardware returned goods are subject to a minimum 15% restocking fee.
- Returns for reasons other than an EMTEK or Schaub factory or processing error will be subject to our customary restocking fee with a return freight charge of \$20.00 per label/carton in the United States or \$35.00 per label/carton in Canada or Mexico. This charge will be deducted from the credit issued for each call tag.

LEAD TIME, SHIPPING AND FREIGHT**Standard Production Lead Time**

EMTEK and Schaub assemble all products to order in our Southern California facility. Orders typically ship within two to three business days once an order is released to the factory.

ExpressShip - SAME DAY SHIPPING

- Cabinet hardware ONLY purchase order
- Orders received by EMTEK before 9 AM Pacific Time will ship the same day, based on inventory availability.
- Orders received after 9 AM Pacific Time will ship the next day, based on inventory availability.
- To qualify, orders must be sent to cabinet.expressship@emtek.com

Shipping Costs

All orders are FOB shipping point. For shipments to a dealer-specified commercial address located in the US, Canada and Mexico, EMTEK and Schaub ship freight prepaid. For shipments to dealers located outside of North America, freight will be prepaid by EMTEK and Schaub to the U.S. location of the dealer's freight forwarder. Orders may ship ground service or LTL at our discretion. Orders shipping to a residential address will automatically ship via ground service with a 10% surcharge.

Shipping Options

Shipments may be expedited for a fee. Unfortunately, a dealer's freight account cannot be used to pay for shipping charges.

| Delivery Location | Type of Service | Surcharge %* |
|---------------------|--------------------------|--------------|
| Commercial Address | Next Day | 16% |
| Commercial Address | Second Day | 6% |
| Residential Address | Next Day | 25% |
| Residential Address | Second Day | 20% |
| Residential Address | Three Day | 15% |
| Residential Address | Ground (Default Service) | 10% |

*Multiplied by invoice value

Order Lead Time

EMTEK and Schaub assemble all products to order in our Southern California facility. Orders typically ship within two to three business days once an order is released to the factory.

DEALER INFORMATION PORTAL**Online Account Access and Web Shop**

We are pleased to offer you access to your EMTEK and Schaub account information, place new orders and initiate Product Returns (RGA) through the EMTEK Customer Portal. Through the customer portal, you can access information about your account at any time. You can:

- Check on the status of orders
- View both order and sales history
- View and print order acknowledgments, invoices, statements and credits
- Track shipments
- Initiate Product Return/RGA
- Place a new order via the EMTEK Web Shop

To register for the EMTEK Customer Portal or to make changes to access rights, we require the approval from your company's owner, CEO, President or other corporate officer. To get started, click on the "Dealer Sign In" icon on www.emtek.com and then select "Forms". Please complete the "EMTEK Customer Portal Access Rights Form" and email to: customerportal@emtek.com. Should you have any questions, please contact Customer Service.

NO CHARGE SAMPLE PROGRAM

Samples are gladly provided at no charge to authorized dealers under the following conditions:

- ½ Door Lock Dummy (max 2)
- ½ Pair of Hinges (max 2)
- Cabinet Knob or Pull (max 3)
- Door Accessory (max 1)

A shipping and handling fee of \$2.50 per sample will be applied to your order (\$2.50 for one sample, \$5.00 for two samples, \$7.50 for three samples, etc.)

Sample Order Exceptions

- Samples must be different product codes.
- Samples do not include active door hardware sets, electronic locks, entry sets, door pulls, bath hardware or door accessories over \$75.00 list price.
- Samples do not include 8" cc or larger cabinet pulls.
- Samples do not include appliance pulls or appliance backplates.
- Samples do not include any Symphony products.

Placing a Sample Order

- Send orders to samples@emtek.com or place by fax, phone or mail.
- Write "NO CHARGE SAMPLE" on the order.
- Standard shipment upgrade charges will apply for expedited freight requests.
- Orders for sample products must be placed separately and not combined with other products.
- EMTEK and Schaub do not require samples to be returned.

No Restocking Fee Charged for Sample Orders with Exceptions

- Send orders to samples@emtek.com or place by fax, phone or mail.
- Write "DEALER SAMPLE" on the order.
- Keep the samples you want and return the samples you don't.
- Contact Customer Service for Return Authorization in advance to ensure a restock fee is not applied to the return.
- Product must be returned in its original condition.
- Return freight charge of \$20.00 per label/carton in the United States or \$35.00 per label/carton in Canada or Mexico. This charge will be deducted from the credit issued for each call tag.
- No freight will be charged if the return is sent prepaid.

DISPLAY PROGRAM

EMTEK and Schaub offer a variety of quality, well-crafted displays. We take great pride in the quality of our displays, which are hand-built in our Southern California facility by our talented craftsmen.

- For EMTEK, log into the "Dealer Sign In" (<https://www.emtek.com/dealer-sign-in/>) and then select "Product Displays".
- For Schaub, please visit: <https://schaubandcompany.com/resources/product-display-catalog/>

Placing a Display Order

Please contact your local sales representative for ordering information.

Product for use on Displays in your Showroom

Thank you for considering EMTEK and Schaub products for use on door displays and kitchen/bath vignettes installed in your showroom. Please contact your local sales representative for ordering information.

MINIMUM ADVERTISED PRICE POLICY

Effective February 6, 2017

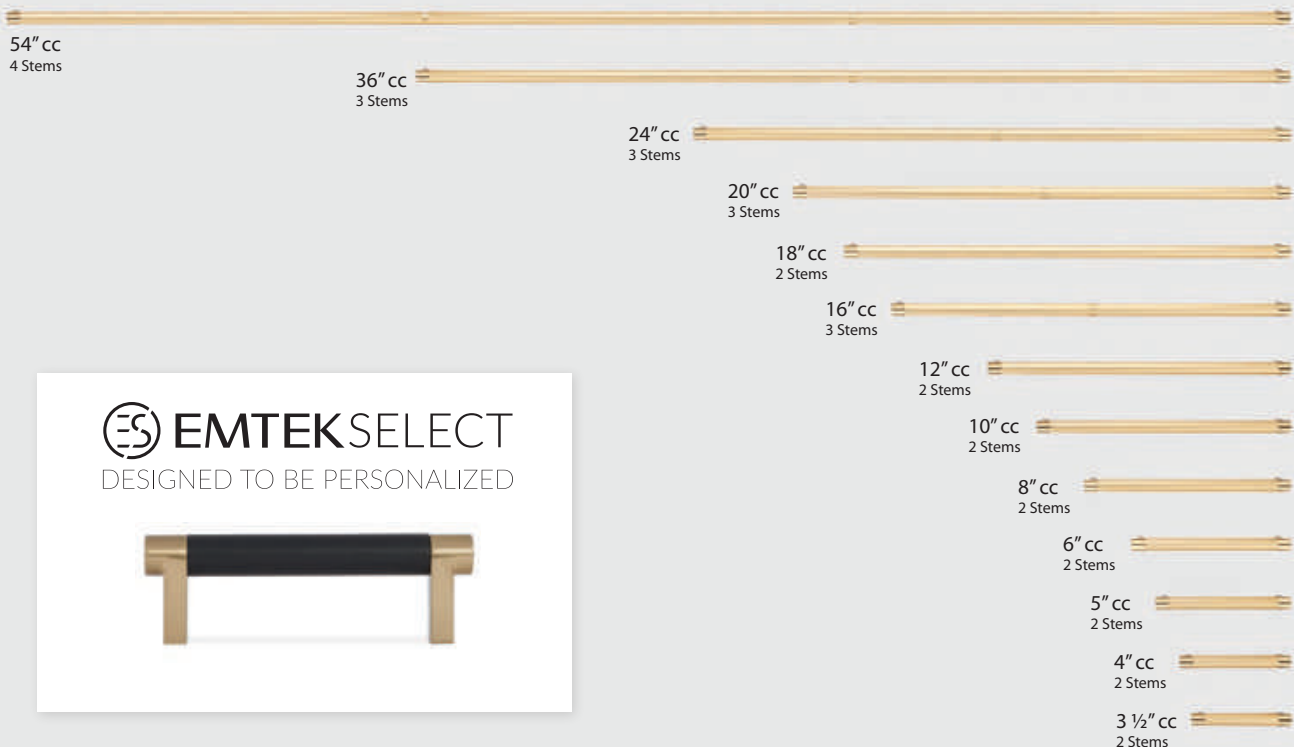
EMTEK and Schaub have determined that in order to better compete against existing competitors it must exercise a greater degree of control over the distribution of its products. Therefore, all sales of EMTEK and Schaub products will be subject to this Policy. This Policy has been unilaterally adopted and will be enforced strictly and uniformly.

Although resellers remain free to establish their own resale prices, to the extent that any customer elects to advertise products of EMTEK and Schaub in any manner, that is in print, in electronic media, on its website, etc., and provides price information for such products, that price information must be no less than List Price less 20%, this is the Minimum Advertised Price (MAP). Advertisements and offers to sell that do not include a particular price, but require further action that implies a price that is lower than the Minimum Advertised Price violate the MAP Policy. Examples of such unauthorized advertisements include "drop in cart" pricing, "add to cart" pricing, "click to see" pricing, and discount coupon pricing. Also prohibited are advertisements that indicate that discounts may be available when a customer takes specific action that goes beyond buying the product, such as "special price option" or "name your price."

To assure fair business practices, we will strictly enforce this policy. Violations of this MAP Policy will include termination of our business relationship with a customer. On the first offense there will be a written notice counseling any customer that disregards this policy. Any customer who violates the policy a second time, within one year of receiving a written notice of a first violation, will be terminated.




EMTEK and Schaub will not discuss any conditions of acceptance related to this Policy, as it is non-negotiable and will not be altered for any dealer. In addition, EMTEK and Schaub neither solicit, nor will accept, any assurance of compliance with this Policy. Nothing in this Policy shall constitute an agreement between EMTEK, Schaub and any reseller that the reseller will comply with this Policy.

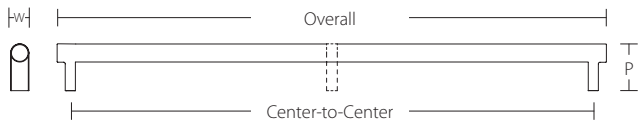
SELECT CABINET PULL



SELECT CABINET PULL

| Product Code | C-To-C | Overall | Width(W) | Projection(P) | Stem | List Price |
|--------------|--------|---------|----------|---------------|------|------------|
| 84052 | 3 1/2" | 4 1/4" | 1/2" | 1 3/8" | 2 | \$28.00 |
| 84053 | 4" | 4 3/4" | 1/2" | 1 3/8" | 2 | \$29.00 |
| 84054 | 5" | 5 3/4" | 1/2" | 1 3/8" | 2 | \$32.00 |
| 84055 | 6" | 6 3/4" | 1/2" | 1 3/8" | 2 | \$36.00 |
| 84056 | 8" | 8 3/4" | 1/2" | 1 3/8" | 2 | \$40.00 |
| 84057 | 10" | 10 3/4" | 1/2" | 1 3/8" | 2 | \$49.00 |
| 84058 | 12" | 12 3/4" | 1/2" | 1 3/8" | 2 | \$52.00 |
| 84059 | 16" | 16 3/4" | 1/2" | 1 3/8" | 3 | \$65.00 |
| 84062 | 18" | 18 3/4" | 1/2" | 1 3/8" | 2 | \$70.00 |
| 84060 | 20" | 20 3/4" | 1/2" | 1 3/8" | 3 | \$78.00 |
| 84061 | 24" | 24 3/4" | 1/2" | 1 3/8" | 3 | \$90.00 |
| 84063 | 36" | 36 3/4" | 1/2" | 1 3/8" | 3 | \$126.00 |
| 84064 | 54" | 54 3/4" | 1/2" | 1 3/8" | 4 | \$189.00 |

| Stem | Pull |
|---|---|
|  RECTANGULAR (REC) |  KNURLED (KN)  SMOOTH (SM) |



FINISH OPTIONS FOR STEM AND PULL

STEM AND PULL WILL BE PERMANENTLY AFFIXED.



Satin Brass (US4)



Oil Rubbed Bronze (US10B)



Polished Nickel (US14)



Satin Nickel (US15)



Flat Black (US19)



Polished Chrome (US26)



Satin Copper (SCU)

To order:

84052 . RECUS4 . KNUS19

Product Code
(Center-to-Center)

+

Stem
(Style/Finish)

+

Pull
(Style/Finish)

Product Name:

SELECT Cabinet Pull 3-1/2" C-to-C + Rectangular Stem
Satin Brass (US4) + Knurled Pull Flat Black (US19)

SELECT BAR CABINET PULL

54" CC
4 Stems

36" CC
3 Stems

24" CC
3 Stems

20" CC
3 Stems

18" CC
2 Stems

16" CC
3 Stems

12" CC
2 Stems

10" CC
2 Stems

8" CC
2 Stems

6" CC
2 Stems

5" CC
2 Stems

4" CC
2 Stems

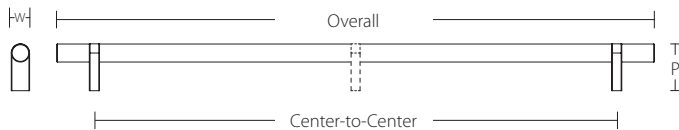
3 1/2" CC
2 Stems

EMTEKSELECT
DESIGNED TO BE PERSONALIZED



SELECT BAR CABINET PULL

| Product Code | C-To-C | Overall | Width(W) | Projection(P) | Stem | List Price |
|--------------|--------|---------|----------|---------------|------|------------|
| 84152 | 3 1/2" | 5 3/4" | 1/2" | 1 3/8" | 2 | \$38.00 |
| 84153 | 4" | 6 1/4" | 1/2" | 1 3/8" | 2 | \$40.00 |
| 84154 | 5" | 7 1/4" | 1/2" | 1 3/8" | 2 | \$45.00 |
| 84155 | 6" | 8 1/4" | 1/2" | 1 3/8" | 2 | \$50.00 |
| 84156 | 8" | 10 1/4" | 1/2" | 1 3/8" | 2 | \$54.00 |
| 84157 | 10" | 12 1/4" | 1/2" | 1 3/8" | 2 | \$68.00 |
| 84158 | 12" | 14 1/4" | 1/2" | 1 3/8" | 2 | \$72.00 |
| 84159 | 16" | 18 1/4" | 1/2" | 1 3/8" | 3 | \$83.00 |
| 84162 | 18" | 20 1/4" | 1/2" | 1 3/8" | 2 | \$89.00 |
| 84160 | 20" | 22 1/4" | 1/2" | 1 3/8" | 3 | \$95.00 |
| 84161 | 24" | 26 1/4" | 1/2" | 1 3/8" | 3 | \$104.00 |
| 84163 | 36" | 38 1/4" | 1/2" | 1 3/8" | 3 | \$137.00 |
| 84164 | 54" | 56 1/4" | 1/2" | 1 3/8" | 4 | \$205.00 |



Stem



Pull



FINISH OPTIONS FOR STEM AND PULL



Satin Brass (US4)



Oil Rubbed Bronze (US10B)



Polished Nickel (US14)



Satin Nickel (US15)



Flat Black (US19)



Polished Chrome (US26)



Satin Copper (SCU)

STEM AND PULL WILL BE PERMANENTLY AFFIXED.

To order:

84152 . RCBUS4 . KNUS19

Product Code
(Center-to-Center)

+

Stem
(Style/Finish)

+

Pull
(Style/Finish)

Product Name:

SELECT Bar Cabinet Pull 3-1/2" C-to-C + Rectangular Bar Stem Satin Brass (US4) + Knurled Pull Flat Black (US19)

SELECT APPLIANCE PULL



54" CC
4 Stems



36" CC
3 Stems



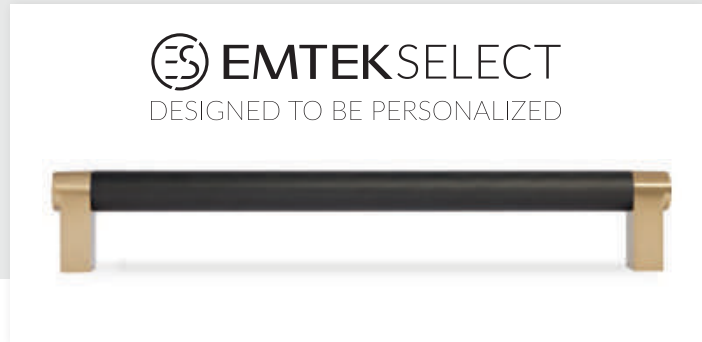
24" CC
3 Stems



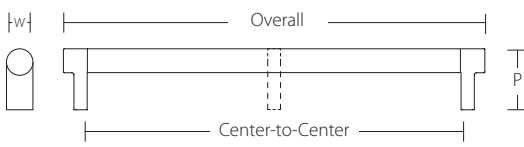
18" CC
2 Stems




12" CC
2 Stems




| SELECT APPLIANCE PULL | | | | | | | | Stem | Pull |
|-----------------------|--------------|--------|---------|----------|---------------|------|------------|-------------------------|------|
| Optional Mounting | Product Code | C-to-C | Overall | Width(W) | Projection(P) | Stem | List Price | Back-to-Back List Price | |
| CS or BTB | 84070 | 12" | 13" | 7/8" | 2 1/8" | 2 | \$207.00 | \$414.00 | |
| CS or BTB | 84071 | 18" | 19" | 7/8" | 2 1/8" | 2 | \$302.00 | \$604.00 | |
| CS or BTB | 84072 | 24" | 25" | 7/8" | 2 1/8" | 3 | \$333.00 | \$666.00 | |
| CS or BTB | 84073 | 36" | 37" | 7/8" | 2 1/8" | 3 | \$367.00 | \$734.00 | |
| CS or BTB | 84074 | 54" | 55" | 7/8" | 2 1/8" | 4 | \$474.00 | \$948.00 | |






RECTANGULAR (REC)



KNURLED (KN)



SMOOTH (SM)

FINISH OPTIONS FOR STEM AND PULL STEM AND PULL WILL BE PERMANENTLY AFFIXED.



Satin Brass (US4)



Oil Rubbed Bronze (US10B)



Polished Nickel (US14)



Satin Nickel (US15)



Flat Black (US19)



Polished Chrome (US26)

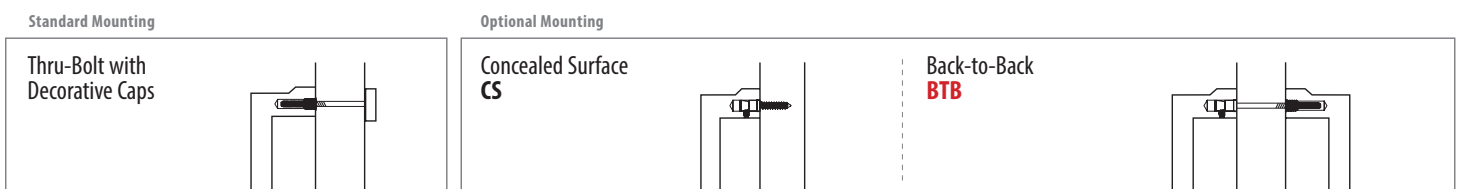


Satin Copper (SCU)

To order: **CS/BTB 84070** . **RECUS4** . **KNUS19**

Optional Mounting or Leave Blank for Standard Mounting Product Code (Center-to-Center) + Stem (Style/Finish) + Pull (Style/Finish)

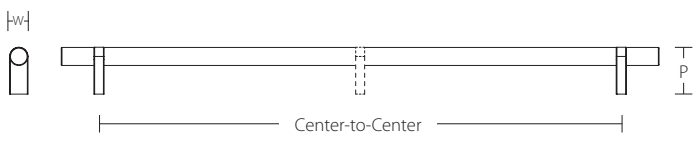
Product Name:
SELECT Cabinet Appliance Pull 12" C-to-C + Rectangular Stem
Satin Brass (US4) + Knurled Pull Flat Black (US19)



SELECT BAR APPLIANCE PULL



| SELECT BAR APPLIANCE PULL | | | | | | | | Stem | Pull | |
|---------------------------|--------------|--------|---------|----------|---------------|------|------------|-------------------------|------------------------------|---------------------|
| Optional Mounting | Product Code | C-to-C | Overall | Width(W) | Projection(P) | Stem | List Price | Back-to-Back List Price | | |
| CS or BTB | 84170 | 12" | 15 1/8" | 7/8" | 2 1/8" | 2 | \$218.00 | \$436.00 | <p>RECTANGULAR BAR (RCB)</p> | <p>KNURLED (KN)</p> |
| CS or BTB | 84171 | 18" | 21 1/8" | 7/8" | 2 1/8" | 2 | \$317.00 | \$634.00 | | |
| CS or BTB | 84172 | 24" | 27 1/8" | 7/8" | 2 1/8" | 3 | \$350.00 | \$700.00 | | |
| CS or BTB | 84173 | 36" | 39 1/8" | 7/8" | 2 1/8" | 3 | \$385.00 | \$770.00 | | |
| CS or BTB | 84174 | 54" | 57 1/8" | 7/8" | 2 1/8" | 4 | \$496.00 | \$992.00 | | |

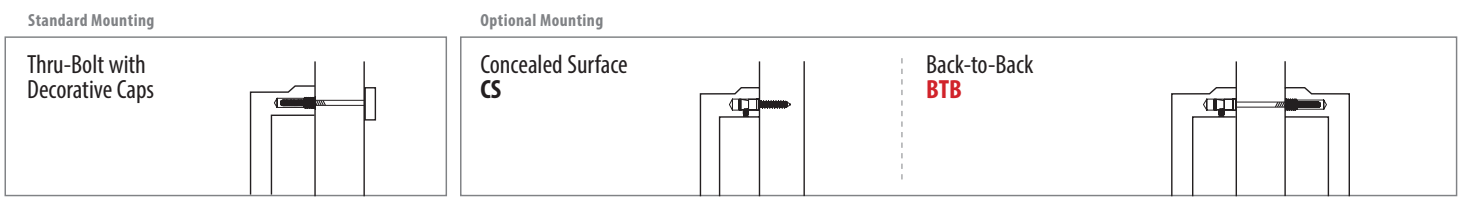


| FINISH OPTIONS FOR STEM AND PULL | | | | | | | STEM AND PULL WILL BE PERMANENTLY AFFIXED. | |
|----------------------------------|---------------------------|------------------------|---------------------|-------------------|------------------------|--------------------|--|--|
| | | | | | | | | |
| Satin Brass (US4) | Oil Rubbed Bronze (US10B) | Polished Nickel (US14) | Satin Nickel (US15) | Flat Black (US19) | Polished Chrome (US26) | Satin Copper (SCU) | | |

To order: **CS/BTB 84170** . **RCBUS4** . **KNUS19**




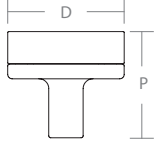
Optional Mounting or Leave Blank for Standard Mounting Product Code (Center-to-Center) + Stem (Style/Finish) + Pull (Style/Finish)

Product Name: SELECT Bar Cabinet Appliance Pull 12"C-to-C + Rectangular Bar Stem Satin Brass (US4) + Knurled Pull Flat Black (US19)



SELECT CABINET KNOB



| SELECT CABINET KNOB | | | | Stem | Knob |
|---|--------------|---------------|------------|---|--|
| Product Code | Dimension(D) | Projection(P) | List Price | | |
| 86655 | 1 1/4" | 1" | \$19.00 |  <p>CONICAL (CCK)</p> |  <p>KNURLED (KNK)</p>  <p>SMOOTH (SMK)</p> |
|  | | | | | |

FINISH OPTIONS FOR STEM AND KNOB

STEM AND KNOB WILL BE PERMANENTLY AFFIXED.



Satin Brass (US4)



Oil Rubbed Bronze (US10B)



Polished Nickel (US14)



Satin Nickel (US15)



Flat Black (US19)



Polished Chrome (US26)



Satin Copper (SCU)

To order:

86655 . CCKUS4 . KNKUS19

Product Code

+

Stem
(Style/Finish)




+

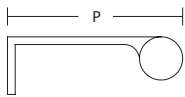
Knob
(Style/Finish)

Product Name:

SELECT Cabinet Knob 1-1/4" + Conical Stem Satin Brass (US4)
+ Knurled Knob Handle Flat Black (US19)



| SELECT CABINET EDGE PULL | | | | | | Stem | Pull |
|--------------------------|---------|---------|-------|---------------|------------|--|---|
| Product Code | C-to-C | Overall | Width | Projection(P) | List Price |  <p>ROUND (EDGR)</p> |  <p>KNURLED (KN)</p>  <p>SMOOTH (SM)</p> |
| 84080 | 3 3/4" | 4 1/2" | 1/8" | 2 1/4" | \$28.00 | | |
| 84081 | 4 1/4" | 5" | 1/8" | 2 1/4" | \$29.00 | | |
| 84082 | 5 1/4" | 6" | 1/8" | 2 1/4" | \$32.00 | | |
| 84083 | 6 1/4" | 7" | 1/8" | 2 1/4" | \$36.00 | | |
| 84084 | 8 1/4" | 9" | 1/8" | 2 1/4" | \$40.00 | | |
| 84085 | 10 1/4" | 11" | 1/8" | 2 1/4" | \$49.00 | | |
| 84086 | 12 1/4" | 13" | 1/8" | 2 1/4" | \$52.00 | | |
| 84087 | 18 1/4" | 19" | 1/8" | 2 1/4" | \$70.00 | | |



FINISH OPTIONS FOR STEM AND PULL

STEM AND PULL WILL BE PERMANENTLY AFFIXED.



Satin Brass (US4)



Oil Rubbed Bronze (US10B)



Polished Nickel (US14)



Satin Nickel (US15)



Flat Black (US19)



Polished Chrome (US26)



Satin Copper (SCU)

To order:

84080 . EDGRUS4 . KNUS19

Product Code
(Center-to-Center)

+

Stem
(Style/Finish)

+

Pull
(Style/Finish)

Product Name:

SELECT Cabinet Edge Pull 3-3/4" C-to-C + Round Stem
Satin Brass (US4) + Knurled Pull Flat Black (US19)

SELECT CABINET T-KNOB & FINGER PULL



| SELECT CABINET T-KNOB | | | | | Stem | Pull | |
|-----------------------|---------|----------|---------------|------------|-------------------------------------|----------------------------|---------------------------|
| Product Code | Overall | Width(W) | Projection(P) | List Price | | | |
| 86656 | 2 1/4" | 1/2" | 1 3/8" | \$19.00 | <p>RECTANGULAR BAR (RCB)</p> | <p>KNURLED (KN)</p> | <p>SMOOTH (SM)</p> |
| 86657 | 3 1/8" | 7/8" | 2 1/8" | \$35.00 | | | |

STEM AND PULL WILL BE PERMANENTLY AFFIXED.

| SELECT CABINET FINGER PULL | | | | | Stem | Pull | |
|----------------------------|---------|----------|---------------|------------|---------------------------------|----------------------------|---------------------------|
| Product Code | Overall | Width(W) | Projection(P) | List Price | | | |
| 86658 | 1 1/2" | 1/2" | 1 3/8" | \$16.00 | <p>RECTANGULAR (REC)</p> | <p>KNURLED (KN)</p> | <p>SMOOTH (SM)</p> |
| 86659 | 2" | 7/8" | 2 1/8" | \$28.00 | | | |

STEM AND PULL WILL BE PERMANENTLY AFFIXED.

FINISH OPTIONS FOR STEM AND PULL




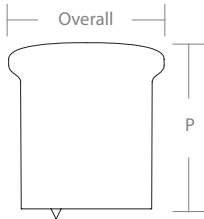






To order:

86656 . RCBUS4 . KNUS19


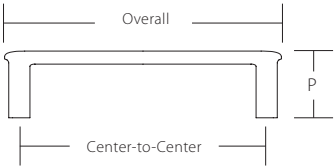






Product Code + Stem (Style/Finish) + Pull (Style/Finish)

Product Name:


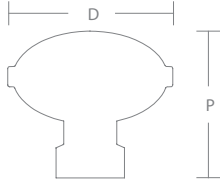






SELECT Cabinet T-Knob 2-1/4" Overall + Rectangular Bar Stem Satin Brass (US4) + Knurled Pull Flat Black (US19)


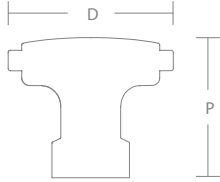






| HABITAT BUTTON KNOB | | Product Code | Overall | Projection(P) | List Price | Finish | | |
|---|-------|--------------|---------|---------------|---|--|--|---|
|  | 86623 | 1/2" x 3/4" | 7/8" | \$12.00 |  |  Satin Brass (US4) |  Oil Rubbed Bronze (US10B) |  Polished Nickel (US14) |
| | | | | | |  Satin Nickel (US15) |  Flat Black (US19) |  Polished Chrome (US26) |



| HABITAT T-KNOB | | Product Code | Overall | Projection(P) | List Price | Finish | | |
|--|-------|---------------|---------|---------------|--|--|--|--|
|  | 86624 | 1 1/2" x 3/4" | 1" | \$13.00 |  |  Satin Brass (US4) |  Oil Rubbed Bronze (US10B) |  Polished Nickel (US14) |
| | | | | | |  Satin Nickel (US15) |  Flat Black (US19) |  Polished Chrome (US26) |


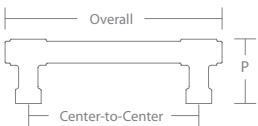



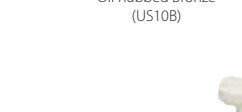





| HABITAT PULL | | Product Code | C-to-C | Overall | Projection(P) | List Price | Finish | | |
|---|--|--------------|---------|---------|---------------|---|--|--|---|
|  | 86625 | 3 1/2" | 4" | 1" | \$18.00 |  |  Satin Brass (US4) |  Oil Rubbed Bronze (US10B) |  Polished Nickel (US14) |
| | 86626 | 6" | 6 1/2" | 1" | \$24.00 | | | | |
| | 86627 | 8" | 8 1/2" | 1" | \$28.00 | | | | |
| | <p><i>Also available in Appliance Pulls:</i></p> | | | | | | | | |
| | 86628 | 12" | 12 3/4" | 1 1/2" | \$207.00 |  Satin Nickel (US15) |  Flat Black (US19) |  Polished Chrome (US26) | |
| | 86629 | 18" | 18 3/4" | 1 1/2" | \$302.00 | | | | |


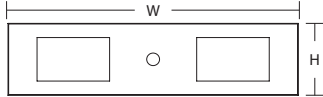






INDUSTRIAL MODERN

| BRANDT KNOB | | Product Code | Dimension(D) | Projection(P) | List Price | Finish |
|---|-------|--------------|--------------|---------------|---|--|
|  | 86695 | 1 1/4" | 1 1/4" | \$13.00 |  |  Satin Brass (US4) |
| | 86696 | 1 3/4" | 1 1/2" | \$23.00 | |  Oil Rubbed Bronze (US10B) |
| | | | | | |  Polished Nickel (US14) |
| | | | | | |  Satin Nickel (US15) |
| | | | | | |  Flat Black (US19) |
| | | | | | |  Polished Chrome (US26) |

| HAYDON KNOB | | Product Code | Dimension(D) | Projection(P) | List Price | Finish |
|---|-------|--------------|--------------|---------------|---|--|
|  | 86697 | 1 1/4" | 1 1/8" | \$13.00 |  |  Satin Brass (US4) |
| | 86698 | 1 3/4" | 1 1/2" | \$23.00 | |  Oil Rubbed Bronze (US10B) |
| | | | | | |  Polished Nickel (US14) |
| | | | | | |  Satin Nickel (US15) |
| | | | | | |  Flat Black (US19) |
| | | | | | |  Polished Chrome (US26) |

| JASPER FINGER PULL | | Product Code | Overall | Projection(P) | Bar Width | List Price | Finish |
|---|-------|--------------|---------|---------------|-----------|---|--|
|  | 86699 | 2" | 1 3/8" | 1/2" | \$13.00 |  |  Satin Brass (US4) |
| | | | | | | |  Oil Rubbed Bronze (US10B) |
| | | | | | |  Polished Nickel (US14) | |
| | | | | | |  Satin Nickel (US15) | |
| | | | | | |  Flat Black (US19) | |
| | | | | | |  Polished Chrome (US26) | |


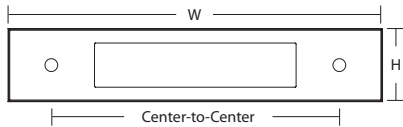






| JASPER PULL | | Product Code | C-to-C | Overall | Projection(P) | List Price | Finish |
|--|------------------------------------|--------------|--------|---------|---------------|---|--|
|  | 86686 | 3 1/2" | 4 3/8" | 1 3/8" | \$18.00 |  |  Satin Brass (US4) |
| | 86687 | 4" | 4 7/8" | 1 3/8" | \$21.00 | |  Oil Rubbed Bronze (US10B) |
| | 86688 | 5" | 5 7/8" | 1 3/8" | \$23.00 | |  Polished Nickel (US14) |
| | | | | | | |  Satin Nickel (US15) |
| | | | | | | |  Flat Black (US19) |
| | | | | | | |  Polished Chrome (US26) |
| | Also available in Appliance Pulls: | | | | | | |
| | | | | | | |  Satin Nickel (US15) |
| | | | | | | |  Flat Black (US19) |
| | | | | | | |  Polished Chrome (US26) |

| MODERN BACKPLATE FOR KNOB | Product Code | W x H | Depth | List Price | Finish |
|---|---|---------|-------|------------|---|
|  | 86921 | 4" x 1" | 3/8" | \$8.00 | |
| |  | | | |  <p>Satin Brass (US4)</p>  <p>Oil Rubbed Bronze (US10B)</p>  <p>Polished Nickel (US14)</p>  <p>Satin Nickel (US15)</p>  <p>Flat Black (US19)</p>  <p>Polished Chrome (US26)</p> |

Size incompatible with: Ring Knob, Cinder Knob, District Knob, Juneau Glass Knob, Grayson Glass Knob, Forza Glass Knob, Georgetown Glass Knob, Hampton Glass Knob, Bristol Glass Knob, Brookmont Glass Knob, Lido Glass Knob and Old Town Glass Knob.

Finish incompatible with Satin Brass (US4): Globe Knob, Cone Knob, Metric Knob, Finger Pull, Trail Knob, Bar Knob, Square Dimpled Knob and Round Dimpled Knob.



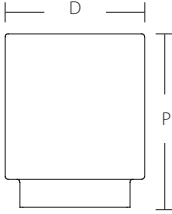
Fit incompatible with Knobs (Bottom alignment spikes must be removed with a file): Allerton Knob, Hunter Knob, Warwick T-Knob, Keaton Finger Pull, Freestone Finger Pull, Freestone T-Knob and Mod Hex T-Knob.

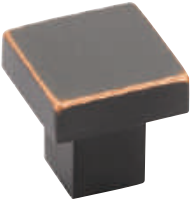
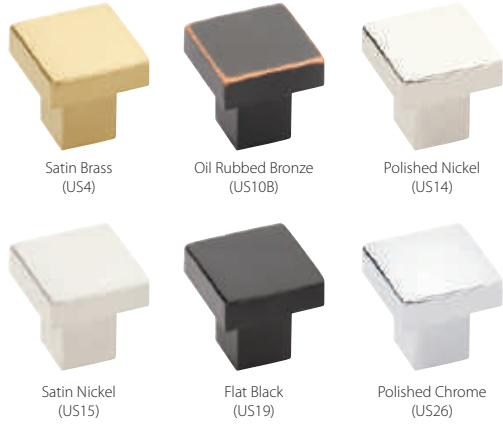
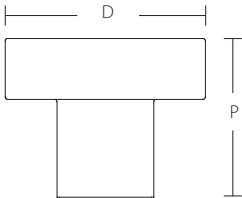
| MODERN BACKPLATE FOR PULL | Product Code | C-to-C | W x H | Depth | List Price | Finish |
|---|---|--------|--------------|-------|---|--------|
|  | 86922 | 4" | 5 1/4" x 1" | 3/8" | \$8.00 | |
| | 86923 | 5" | 6 1/4" x 1" | 3/8" | \$9.00 | |
| | 86924 | 6" | 7 1/4" x 1" | 3/8" | \$12.00 | |
| | 86925 | 8" | 9 1/4" x 1" | 3/8" | \$14.00 | |
| | 86926 | 10" | 11 1/4" x 1" | 3/8" | \$17.00 | |
| | 86927 | 12" | 13 1/4" x 1" | 3/8" | \$21.00 | |
| |  | | | |  <p>Satin Brass (US4)</p>  <p>Oil Rubbed Bronze (US10B)</p>  <p>Polished Nickel (US14)</p>  <p>Satin Nickel (US15)</p>  <p>Flat Black (US19)</p>  <p>Polished Chrome (US26)</p> | |


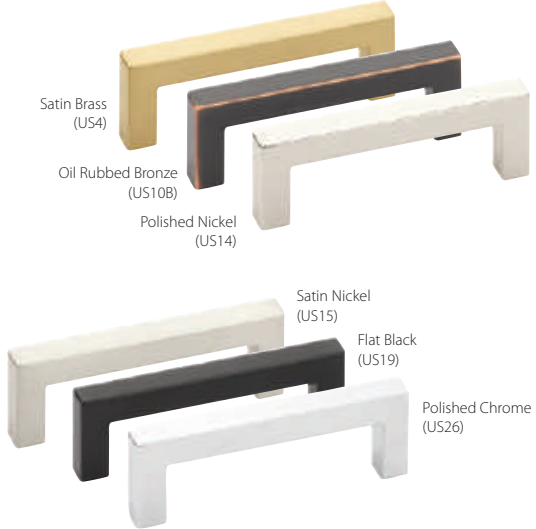
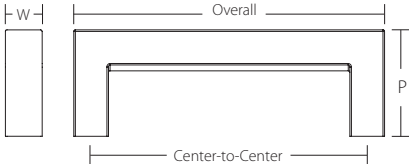
Size Incompatible with: Ribbon & Reed, Estate Pull, Hammered Pull and Appliance Pulls.


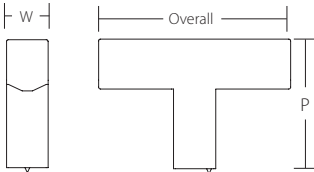






Finish incompatible with Satin Brass (US4): Orbit Pull, Trail Pull, Bar Pull and Mortise & Tenon Pull.


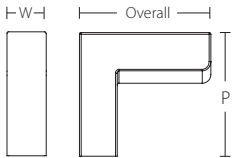

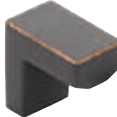




MODERN RECTANGULAR

| ALLERTON KNOB | Product Code | Dimension(D) | Projection(P) | List Price | Finish |
|---|--------------|--------------|---------------|------------|--|
|  | 86700 | 1" | 1 1/4" | \$12.00 |  |
| | 86701 | 1 1/8" | 1 1/4" | \$13.00 | |
|  | | | | | |


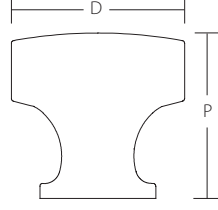

| HUNTER KNOB | Product Code | Dimension(D) | Projection(P) | List Price | Finish |
|--|--------------|--------------|---------------|------------|---|
|  | 86702 | 1 1/4" | 1 1/4" | \$13.00 |  |
| | 86703 | 1 5/8" | 1 1/4" | \$23.00 | |
|  | | | | | |


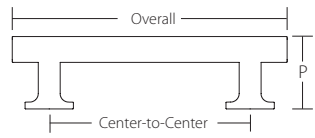

| WARWICK PULL | Product Code | C-to-C | Overall | Width(W) | Projection(P) | List Price | Finish | |
|---|--|--------|---------|----------|---------------|------------|--|--|
|  | 86704 | 3 1/2" | 4" | 1/2" | 1 3/8" | \$18.00 |  | |
| | 86705 | 4" | 4 1/2" | 1/2" | 1 3/8" | \$21.00 | | |
| | 86706 | 5" | 5 1/2" | 1/2" | 1 3/8" | \$23.00 | | |
| | 86707 | 6" | 6 1/2" | 1/2" | 1 3/8" | \$24.00 | | |
| | 86708 | 8" | 8 1/2" | 1/2" | 1 3/8" | \$28.00 | | |
| | 86709 | 10" | 10 1/2" | 1/2" | 1 3/8" | \$40.00 | | |
| | 86710 | 12" | 12 1/2" | 1/2" | 1 3/8" | \$51.00 | | |
| | <p><i>Also available in Appliance Pulls:</i></p> | | | | | | | |
| | 86711 | 12" | 12 1/2" | 1/2" | 1 3/4" | \$207.00 | | |
| | 86712 | 18" | 18 1/2" | 1/2" | 1 3/4" | \$302.00 | | |
|  | | | | | | | | |


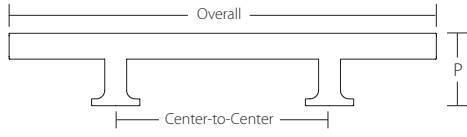
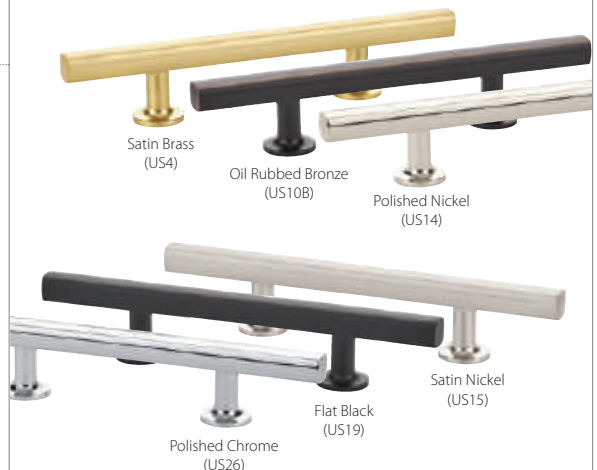
| WARWICK T-KNOB | | Product Code | Overall | Width(W) | Projection(P) | List Price | Finish | | |
|---|-------|--------------|---------|----------|---------------|---|--|--|---|
|  | 86726 | 2" | 1/2" | 1 3/8" | \$13.00 |  |  Satin Brass (US4) |  Oil Rubbed Bronze (US10B) |  Polished Nickel (US14) |
| | | | | | | |  Satin Nickel (US15) |  Flat Black (US19) |  Polished Chrome (US26) |


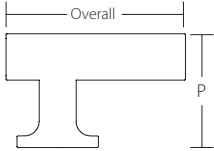






| KEATON FINGER PULL | | Product Code | Overall | Width(W) | Projection(P) | List Price | Finish | | |
|--|-------|--------------|---------|----------|---------------|--|---|--|--|
|  | 86713 | 1 1/2" | 7/8" | 1 1/2" | \$16.00 |  |  Satin Brass (US4) |  Oil Rubbed Bronze (US10B) |  Polished Nickel (US14) |
| | | | | | | |  Satin Nickel (US15) |  Flat Black (US19) |  Polished Chrome (US26) |


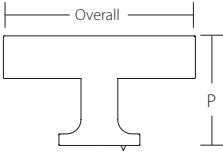






| KEATON PULL | | Product Code | C-to-C | Overall | Width(W) | Projection(P) | List Price | Finish | | | | | |
|---|--|--------------|---------|---------|----------|---------------|---|--|--|---|---|--|---|
|  | 86714 | 3 1/2" | 4" | 7/8" | 1 1/2" | \$24.00 |  |  Satin Brass (US4) |  Oil Rubbed Bronze (US10B) |  Polished Nickel (US14) | | | |
| | 86715 | 4" | 4 1/2" | 7/8" | 1 1/2" | \$25.00 | | | | | | | |
| | 86716 | 5" | 5 1/2" | 7/8" | 1 1/2" | \$27.00 | | | | | | | |
| | 86717 | 6" | 6 1/2" | 7/8" | 1 1/2" | \$36.00 | | | | | | | |
| | 86718 | 8" | 8 1/2" | 7/8" | 1 1/2" | \$47.00 | | | | | | | |
| | 86719 | 10" | 10 1/2" | 7/8" | 1 1/2" | \$55.00 | | | | | | | |
| | 86720 | 12" | 12 1/2" | 7/8" | 1 1/2" | \$88.00 | | | | | | | |
| | <p><i>Also available in Appliance Pulls:</i></p> | | | | | | | | | | | | |
| | 86721 | 12" | 12 1/2" | 1" | 1 3/4" | \$207.00 | | | | |  Satin Nickel (US15) |  Flat Black (US19) |  Polished Chrome (US26) |
| | 86722 | 18" | 18 1/2" | 1" | 1 3/4" | \$302.00 | | | | | | | |

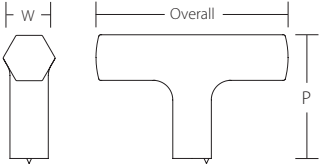




| FREESTONE KNOB | | Product Code | Dimension(D) | Projection(P) | List Price | Finish |
|---|-------|--------------|--------------|---------------|---|--|
|  | 86450 | 1 1/4" | 1 1/4" | \$13.00 |  |  |
| | 86451 | 1 1/2" | 1 1/4" | \$23.00 | | |



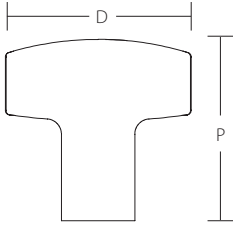
| FREESTONE PULL | | Product Code | C-to-C | Overall | Projection(P) | List Price | Finish |
|--|---|--------------|---------|---------|---------------|---|---|
|  | 86453 | 3 1/2" | 4 3/4" | 1 1/4" | \$18.00 |  |  |
| | 86454 | 4" | 5 1/4" | 1 1/4" | \$21.00 | | |
| | 86676 | 5" | 6 3/4" | 1 3/8" | \$23.00 | | |
| | 86455 | 6" | 7 3/4" | 1 3/8" | \$24.00 | | |
| | 86456 | 8" | 10 1/2" | 1 3/8" | \$28.00 | | |
| | 86677 | 10" | 12 1/2" | 1 3/8" | \$40.00 | | |
| | 86678 | 12" | 14 1/2" | 1 3/8" | \$51.00 | | |
| | <i>Also available in Appliance Pulls:</i> | | 87001 | 12" | 14" | | |
| | 87002 | 18" | 20" | 2" | \$302.00 | | |



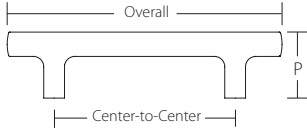
| FREESTONE EXTENDED PULL | | Product Code | C-to-C | Overall | Projection(P) | List Price | Finish |
|--|-------|--------------|---------|---------|---------------|---|--|
|  | 86682 | 3 1/2" | 7" | 1 1/4" | \$25.00 |  |  |
| | 86683 | 6" | 10 1/2" | 1 3/8" | \$40.00 | | |



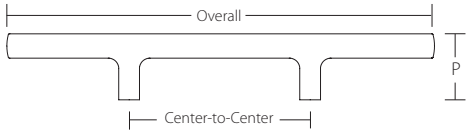
| FREESTONE FINGER PULL | Product Code | Overall | Width(W) | Projection(P) | List Price | Finish |
|---|---|---------|----------|---------------|------------|---|
|  | 86452 | 1 7/8" | 1/2" | 1 1/8" | \$13.00 | |
| |  | | | | | <div style="display: flex; flex-wrap: wrap; justify-content: space-around;"> <div style="text-align: center;">  Satin Brass (US4) </div> <div style="text-align: center;">  Oil Rubbed Bronze (US10B) </div> <div style="text-align: center;">  Polished Nickel (US14) </div> <div style="text-align: center;">  Satin Nickel (US15) </div> <div style="text-align: center;">  Flat Black (US19) </div> <div style="text-align: center;">  Polished Chrome (US26) </div> </div> |





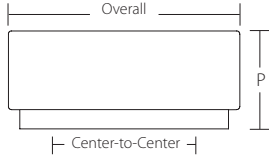



| FREESTONE T-KNOB | Product Code | Overall | Width(W) | Projection(P) | List Price | Finish |
|---|---|---------|----------|---------------|------------|--|
|  | 86727 | 2" | 1/2" | 1 1/8" | \$13.00 | |
| |  | | | | | <div style="display: flex; flex-wrap: wrap; justify-content: space-around;"> <div style="text-align: center;">  Satin Brass (US4) </div> <div style="text-align: center;">  Oil Rubbed Bronze (US10B) </div> <div style="text-align: center;">  Polished Nickel (US14) </div> <div style="text-align: center;">  Satin Nickel (US15) </div> <div style="text-align: center;">  Flat Black (US19) </div> <div style="text-align: center;">  Polished Chrome (US26) </div> </div> |





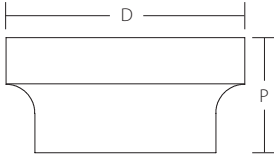



| MOD HEX T-KNOB | Product Code | Overall | Width(W) | Projection(P) | List Price | Finish |
|---|---|---------|----------|---------------|------------|---|
|  | 86728 | 2" | 1/2" | 1 1/4" | \$13.00 | |
| |  | | | | | <div style="display: flex; flex-wrap: wrap; justify-content: space-around;"> <div style="text-align: center;">  Satin Brass (US4) </div> <div style="text-align: center;">  Oil Rubbed Bronze (US10B) </div> <div style="text-align: center;">  Polished Nickel (US14) </div> <div style="text-align: center;">  Satin Nickel (US15) </div> <div style="text-align: center;">  Flat Black (US19) </div> <div style="text-align: center;">  Polished Chrome (US26) </div> </div> |

| MOD HEX KNOB | Product Code | Dimension(D) | Projection(P) | List Price | Finish |
|---|--------------|--------------|---------------|------------|--|
|  | 86457 | 1 1/8" | 1 1/4" | \$13.00 |  |
| | 86458 | 1 1/2" | 1 3/8" | \$23.00 | |
|  | | | | | |


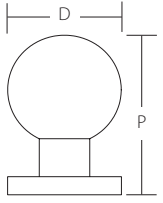







| MOD HEX PULL | Product Code | C-to-C | Overall | Projection(P) | List Price | Finish | | | | | | | | | |
|---|--|---------|---------|---------------|------------|---|-------|-----|---------|----|----------|-------|-----|---------|--------|
|  | 86459 | 3 1/2" | 5 3/8" | 1 1/4" | \$18.00 |  | | | | | | | | | |
| | 86460 | 4" | 5 3/4" | 1 1/4" | \$21.00 | | | | | | | | | | |
| | 86679 | 5" | 7" | 1 3/8" | \$23.00 | | | | | | | | | | |
| | 86461 | 6" | 8" | 1 3/8" | \$24.00 | | | | | | | | | | |
| | 86462 | 8" | 10 1/4" | 1 3/8" | \$28.00 | | | | | | | | | | |
| | 86680 | 10" | 12 1/4" | 1 3/8" | \$40.00 | | | | | | | | | | |
| | 86681 | 12" | 14 1/4" | 1 3/8" | \$51.00 | | | | | | | | | | |
| | <p><i>Also available in Appliance Pulls:</i></p> <table border="1"> <tr> <td>87003</td> <td>12"</td> <td>14 3/4"</td> <td>2"</td> <td>\$207.00</td> </tr> <tr> <td>87004</td> <td>18"</td> <td>20 5/8"</td> <td>2 1/8"</td> <td>\$302.00</td> </tr> </table> | | | | | | 87003 | 12" | 14 3/4" | 2" | \$207.00 | 87004 | 18" | 20 5/8" | 2 1/8" |
| 87003 | 12" | 14 3/4" | 2" | \$207.00 | | | | | | | | | | | |
| 87004 | 18" | 20 5/8" | 2 1/8" | \$302.00 | | | | | | | | | | | |
|  | | | | | | | | | | | | | | | |


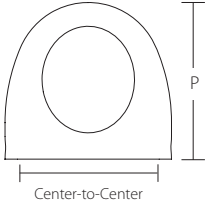







| MOD HEX EXTENDED PULL | Product Code | C-to-C | Overall | Projection(P) | List Price | Finish |
|---|--------------|--------|---------|---------------|------------|--|
|  | 86684 | 3 1/2" | 7" | 1 1/4" | \$25.00 |  |
| | 86685 | 6" | 10 1/2" | 1 3/8" | \$40.00 | |
|  | | | | | | |


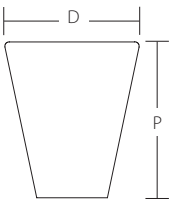







| CINDER KNOB | Product Code | Overall | C-to-C | Projection(P) | List Price | Finish |
|---|--------------|---------|--------|---------------|--|--|
|  | 86446 | 1 5/8" | 1" | 7/8" | \$13.00 |  Satin Brass (US4)  Oil Rubbed Bronze (US10B)  Polished Nickel (US14) |
| | 86447 | 2 1/4" | 1" | 1" | \$23.00 | |
|  | | | | |  Satin Nickel (US15)  Flat Black (US19)  Polished Chrome (US26) | |


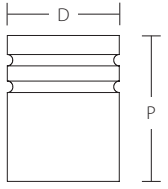







| DISTRICT KNOB | Product Code | Dimension(D) | Projection(P) | List Price | Finish | |
|---|--------------|--------------|---------------|------------|---|--|
|  | 86448 | 1 3/8" | 5/8" | \$13.00 |  Satin Brass (US4)  Oil Rubbed Bronze (US10B)  Polished Nickel (US14) | |
| | 86449 | 1 5/8" | 5/8" | \$23.00 | | |
|  | | | | | |  Satin Nickel (US15)  Flat Black (US19)  Polished Chrome (US26) |









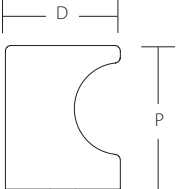
CONTEMPORARY

| GLOBE KNOB | Product Code | Dimension(D) | Projection(P) | List Price | Finish | |
|---|--------------|--------------|---------------|------------|---|---|
|  <p>< Removable Backplate Included</p> | 86152 | 1 1/8" | 1 1/2" | \$21.00 |  |  <p>Satin Brass (US4)</p>  <p>Oil Rubbed Bronze (US10B)</p>  <p>Polished Nickel (US14)</p>  <p>Satin Nickel (US15)</p> |
| | | | | | |  <p>Flat Black (US19)</p>  <p>Polished Chrome (US26)</p>  <p>Unlacquered Brass (US3NL)</p> |

| RING KNOB | Product Code | C-to-C | Projection(P) | List Price | Finish | |
|---|--------------|--------|---------------|------------|--|---|
|  | 86270 | 1" | 1 1/4" | \$13.00 |  |  <p>Satin Brass (US4)</p>  <p>Oil Rubbed Bronze (US10B)</p>  <p>Polished Nickel (US14)</p>  <p>Satin Nickel (US15)</p> |
| | | | | | |  <p>Flat Black (US19)</p>  <p>Polished Chrome (US26)</p>  <p>Unlacquered Brass (US3NL)</p> |



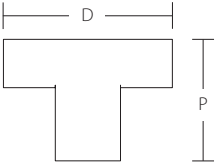
| CONE KNOB | Product Code | Dimension(D) | Projection(P) | List Price | Finish | |
|---|--------------|--------------|---------------|------------|---|---|
|  | 86261 | 1" | 1 1/8" | \$13.00 |  |  <p>Satin Brass (US4)</p>  <p>Oil Rubbed Bronze (US10B)</p>  <p>Polished Nickel (US14)</p>  <p>Satin Nickel (US15)</p> |
| | 86262 | 1 1/8" | 1 3/8" | \$18.00 | |  <p>Flat Black (US19)</p>  <p>Polished Chrome (US26)</p>  <p>Unlacquered Brass (US3NL)</p> |



| METRIC KNOB | Product Code | Dimension(D) | Projection(P) | List Price | Finish | |
|---|--------------|--------------|---------------|------------|---|---|
|  | 86268 | 1" | 1 1/4" | \$16.00 |  |  <p>Satin Brass (US4)</p>  <p>Oil Rubbed Bronze (US10B)</p>  <p>Polished Nickel (US14)</p>  <p>Satin Nickel (US15)</p> |
| | 86269 | 1 1/8" | 1 3/8" | \$21.00 | |  <p>Flat Black (US19)</p>  <p>Polished Chrome (US26)</p>  <p>Unlacquered Brass (US3NL)</p> |



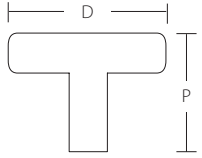
| FINGER PULL | Product Code | Dimension(D) | Projection(P) | List Price | Finish |
|---|--------------|--------------|---------------|------------|---|
|  | 86150 | 7/8" | 1" | \$13.00 |  Satin Brass (US4)  Oil Rubbed Bronze (US10B)  Polished Nickel (US14)  Satin Nickel (US15)  Flat Black (US19)  Polished Chrome (US26)  Unlacquered Brass (US3NL) |
| | 86151 | 1" | 1 1/4" | \$14.00 | |
|  | | | | | |



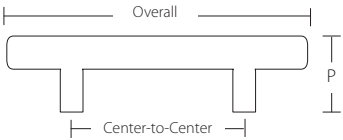
| ORBIT PULL | Product Code | C-to-C | Overall | Projection(P) | List Price | Finish |
|---|--------------|--------|---------|---------------|------------|--|
|  | 86256 | 3" | 3 3/8" | 1" | \$18.00 |  Satin Brass (US4)  Oil Rubbed Bronze (US10B)  Polished Nickel (US14)  Satin Nickel (US15)  Flat Black (US19)  Polished Chrome (US26)  Unlacquered Brass (US3NL) |
| | 86257 | 3 1/2" | 3 7/8" | 1" | \$23.00 | |
| | 86258 | 4" | 4 3/8" | 1" | \$24.00 | |
| | 86259 | 6" | 6 3/8" | 1" | \$30.00 | |
| | 86260 | 10" | 10 3/8" | 1" | \$45.00 | |
|  | | | | | | |



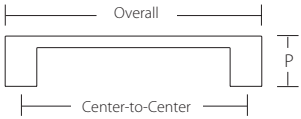
CONTEMPORARY



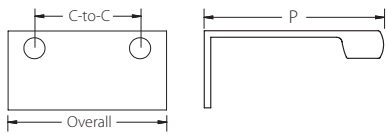
| TRAIL KNOB | Product Code | Dimension(D) | Projection(P) | List Price | Finish |
|---|---|--------------|---------------|------------|--|
|  | 86271 | 2" | 1 3/8" | \$16.00 |  |
| |  | | | | |

| TRAIL PULL | Product Code | C-to-C | Overall | Projection(P) | List Price | Finish |
|---|--|--------|---------|---------------|--|---|
|  | 86161 | 3" | 3 3/4" | 1 3/8" | \$18.00 |  |
| | 86162 | 3 1/2" | 4 1/4" | 1 3/8" | \$23.00 | |
| | 86163 | 4" | 4 3/4" | 1 3/8" | \$24.00 | |
| | 86272 | 5" | 5 3/4" | 1 3/8" | \$26.00 | |
| | 86164 | 6" | 6 3/4" | 1 3/8" | \$30.00 | |
| | 86165 | 8" | 8 3/4" | 1 3/8" | \$37.00 | |
| | 86273 | 10" | 10 3/4" | 1 3/8" | \$45.00 | |
| | 86166 | 12" | 12 3/4" | 1 3/8" | \$61.00 | |
| | 86274 | 16" | 16 3/4" | 1 3/8" | \$80.00 | |
| | <p><i>Also available in Appliance Pulls:</i></p> | | | | | |
| 86440 | 12" | 13" | 2" | \$207.00 | <p>Unlacquered Brass (US3NL) finish available for a \$10.00 List Price upcharge per Appliance Pull and Back-to-Back pulls are available for a \$20.00 List Price upcharge per pair.</p> | |
| 86441 | 18" | 19" | 2" | \$302.00 | | |
|  | | | | | | |





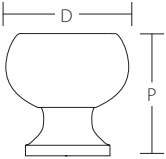



| BART-KNOB | Product Code | Dimension(D) | Projection(P) | List Price | Finish |
|---|---|--------------|---------------|------------|--|
|  | 86357 | 2" | 1 1/4" | \$18.00 |  |
| |  | | | | |





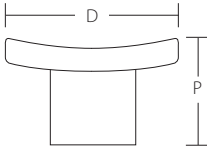


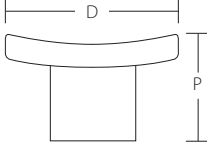
| BAR PULL | Product Code | C-to-C | Overall | Projection(P) | List Price | Finish | | | | | | | | | | | |
|--|--|--------|---------|---------------|------------|--|-------|-----|---------|----|----------|-------|-----|---------|----|----------|--|
|  | 86358 | 3" | 5 1/2" | 1 1/4" | \$26.00 |  | | | | | | | | | | | |
| | 86359 | 3 1/2" | 6" | 1 1/4" | \$30.00 | | | | | | | | | | | | |
| | 86360 | 4" | 6 1/2" | 1 1/4" | \$35.00 | | | | | | | | | | | | |
| | 86361 | 5" | 7 1/2" | 1 1/4" | \$37.00 | | | | | | | | | | | | |
| | 86362 | 6" | 8 1/2" | 1 1/4" | \$40.00 | | | | | | | | | | | | |
| | 86363 | 8" | 10 1/2" | 1 1/4" | \$45.00 | | | | | | | | | | | | |
| | 86364 | 10" | 12 1/2" | 1 1/4" | \$51.00 | | | | | | | | | | | | |
| | 86365 | 12" | 14 1/2" | 1 1/4" | \$61.00 | | | | | | | | | | | | |
| | 86366 | 16" | 18 1/2" | 1 1/4" | \$70.00 | | | | | | | | | | | | |
| | 86367 | 24" | 26 1/2" | 1 1/4" | \$93.00 | | | | | | | | | | | | |
| | <p><i>Also available in Appliance Pulls:</i></p> <table border="1"> <tr> <td>86351</td> <td>12"</td> <td>15 1/4"</td> <td>2"</td> <td>\$207.00</td> </tr> <tr> <td>86352</td> <td>18"</td> <td>21 1/4"</td> <td>2"</td> <td>\$302.00</td> </tr> </table> | | | | | | 86351 | 12" | 15 1/4" | 2" | \$207.00 | 86352 | 18" | 21 1/4" | 2" | \$302.00 | |
| | 86351 | 12" | 15 1/4" | 2" | \$207.00 | | | | | | | | | | | | |
| | 86352 | 18" | 21 1/4" | 2" | \$302.00 | | | | | | | | | | | | |
|  | | | | | | | | | | | | | | | | | |
| <p>Unlacquered Brass (US3NL) finish available for a \$10.00 List Price upcharge per Appliance Pull and Back-to-Back pulls are available for a \$20.00 List Price upcharge per pair.</p> | | | | | | | | | | | | | | | | | |

| TRINITY PULL | Product Code | C-to-C | Overall | Projection(P) | List Price | Finish | | | | | | | | | | | |
|---|--|--------|---------|---------------|------------|---|-------|-----|---------|--------|----------|-------|-----|---------|--------|----------|--|
|  | 86263 | 3" | 3 1/2" | 1" | \$18.00 |  | | | | | | | | | | | |
| | 86264 | 3 1/2" | 4" | 1" | \$23.00 | | | | | | | | | | | | |
| | 86265 | 4" | 4 1/2" | 1" | \$24.00 | | | | | | | | | | | | |
| | 86482 | 5" | 5 1/2" | 1" | \$26.00 | | | | | | | | | | | | |
| | 86266 | 6" | 6 1/2" | 1" | \$30.00 | | | | | | | | | | | | |
| | 86438 | 8" | 8 1/2" | 1" | \$37.00 | | | | | | | | | | | | |
| | 86267 | 10" | 10 1/2" | 1" | \$45.00 | | | | | | | | | | | | |
| | 86483 | 12" | 12 1/2" | 1" | \$61.00 | | | | | | | | | | | | |
| | <p><i>Also available in Appliance Pulls:</i></p> <table border="1"> <tr> <td>86444</td> <td>12"</td> <td>12 7/8"</td> <td>1 3/4"</td> <td>\$207.00</td> </tr> <tr> <td>86445</td> <td>18"</td> <td>19 1/8"</td> <td>1 3/4"</td> <td>\$302.00</td> </tr> </table> | | | | | | 86444 | 12" | 12 7/8" | 1 3/4" | \$207.00 | 86445 | 18" | 19 1/8" | 1 3/4" | \$302.00 | |
| | 86444 | 12" | 12 7/8" | 1 3/4" | \$207.00 | | | | | | | | | | | | |
| | 86445 | 18" | 19 1/8" | 1 3/4" | \$302.00 | | | | | | | | | | | | |
| |  | | | | | | | | | | | | | | | | |





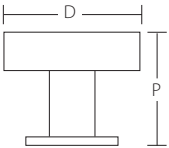



| MODERN EDGE PULL | Product Code | C-to-C | Overall | Width | Projection(P) | List Price | Finish |
|---|---|--------|---------|-------|---------------|------------|--|
|  | 87160 | 1" | 1 1/2" | 1/16" | 1 3/4" | \$9.00 |  |
| | 87100 | 3" | 4 1/4" | 1/16" | 1 3/4" | \$14.00 | |
| | 87110 | 4" | 5 1/4" | 1/16" | 1 3/4" | \$16.00 | |
| | 87120 | 6" | 7 1/4" | 1/16" | 1 3/4" | \$21.00 | |
| | 87130 | 8" | 9 1/4" | 1/16" | 1 3/4" | \$26.00 | |
| | 87140 | 10" | 11 1/4" | 1/16" | 1 3/4" | \$34.00 | |
| | 87150 | 12" | 13 1/4" | 1/16" | 1 3/4" | \$44.00 | |
| |  | | | | | | |

MID CENTURY MODERN

| ATOMIC KNOB | Product Code | Dimension(D) | Projection(P) | List Price | Finish |
|---|--------------|--------------|---------------|------------|--|
|  | 86314 | 1" | 1 1/4" | \$12.00 |  Satin Brass (US4)  Oil Rubbed Bronze (US10B)  Polished Nickel (US14)  Satin Nickel (US15)  Flat Black (US19)  Polished Chrome (US26) |
| | 86315 | 1 1/4" | 1 1/4" | \$13.00 | |
| | 86316 | 1 5/8" | 1 1/2" | \$23.00 | |
|  | | | | | |

| BASIN KNOB | Product Code | Dimension(D) | Projection(P) | List Price | Finish |
|--|---|--------------|---------------|------------|--|
|  | 86317 | 1 1/4" | 3/4" | \$13.00 |  Satin Brass (US4)  Oil Rubbed Bronze (US10B)  Polished Nickel (US14)  Satin Nickel (US15)  Flat Black (US19)  Polished Chrome (US26) |
| | 86318 | 1 5/8" | 1" | \$23.00 | |
| |  | | | | |

| PODIUM KNOB | Product Code | Dimension(D) | Projection(P) | List Price | Finish |
|---|---|--------------|---------------|------------|--|
|  | 86319 | 1 1/4" | 1 1/8" | \$13.00 |  Satin Brass (US4)  Oil Rubbed Bronze (US10B)  Polished Nickel (US14)  Satin Nickel (US15)  Flat Black (US19)  Polished Chrome (US26) |
| | 86320 | 1 3/4" | 1 3/8" | \$23.00 | |
| |  | | | | |

| CADET KNOB | Product Code | Dimension(D) | Projection(P) | List Price | Finish |
|---|--------------|--------------|---------------|------------|--|
|  <p>Removable Backplate Included</p> | 86321 | 1" | 1 1/8" | \$12.00 |  Satin Brass (US4)  Oil Rubbed Bronze (US10B)  Polished Nickel (US14)  Satin Nickel (US15)  Flat Black (US19)  Polished Chrome (US26) |
| | 86322 | 1 1/4" | 1 1/8" | \$13.00 | |
| | 86323 | 1 3/4" | 1 3/8" | \$23.00 | |
|  | | | | | |

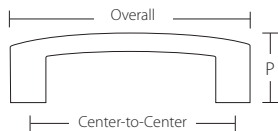
BAUHAUS PULL



| Product Code | C-to-C | Overall | Projection(P) | List Price |
|--------------|--------|---------|---------------|------------|
| 86324 | 3" | 3 3/8" | 1 1/8" | \$21.00 |
| 86325 | 4" | 4 3/8" | 1 1/8" | \$24.00 |

Also available in Appliance Pulls:

| | | | | |
|-------|-----|---------|--------|----------|
| 86345 | 12" | 12 5/8" | 1 7/8" | \$207.00 |
| 86346 | 18" | 18 5/8" | 1 7/8" | \$302.00 |



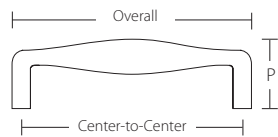
Finish



DANE PULL




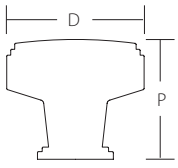






| Product Code | C-to-C | Overall | Projection(P) | List Price |
|--------------|--------|---------|---------------|------------|
| 86309 | 3" | 3 3/8" | 1 1/2" | \$16.00 |
| 86310 | 3 1/2" | 3 7/8" | 1 1/2" | \$18.00 |
| 86311 | 4" | 4 3/8" | 1 1/2" | \$21.00 |
| 86312 | 6" | 6 3/8" | 1 1/2" | \$24.00 |
| 86313 | 10" | 10 3/8" | 1 1/2" | \$40.00 |


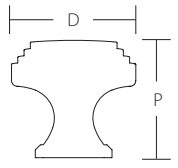











Finish




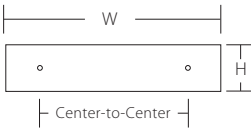






ART DECO


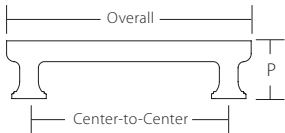
| NEWPORT KNOB | | Product Code | Dimension(D) | Projection(P) | List Price | Finish | | |
|---|-------|--------------|--------------|---------------|---|---|--|---|
|  | 86432 | 1 1/4" | 1 1/4" | \$13.00 |  |  Satin Brass (US4) |  Oil Rubbed Bronze (US10B) |  Polished Nickel (US14) |
| | 86433 | 1 3/4" | 1 1/2" | \$23.00 | |  Satin Nickel (US15) |  Flat Black (US19) |  Polished Chrome (US26) |



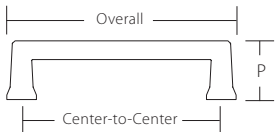
| ART DECO KNOB | | Product Code | Dimension(D) | Projection(P) | List Price | Finish | | |
|---|-------|--------------|--------------|---------------|---|---|--|---|
|  | 86421 | 1 1/4" | 1 1/4" | \$13.00 |  |  Satin Brass (US4) |  Oil Rubbed Bronze (US10B) |  Polished Nickel (US14) |
| | | | | | |  Satin Nickel (US15) |  Flat Black (US19) |  Polished Chrome (US26) |



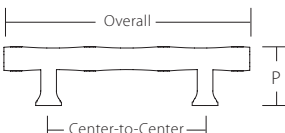
| TRIBECA T-KNOB | | Product Code | Overall | Width(W) | Projection(P) | List Price | Finish | | |
|---|-------|--------------|---------|----------|---|---|--|---|--|
|  | 86729 | 2" | 1/2" | 1 3/8" | \$13.00 |  |  Satin Brass (US4) |  Oil Rubbed Bronze (US10B) |  Polished Nickel (US14) |
| | | | | |  Satin Nickel (US15) | |  Flat Black (US19) |  Polished Chrome (US26) | |

| ART DECO SQUARE BACKPLATE FOR KNOB | | Product Code | Dimension(D) | Depth | List Price | Finish | | |
|---|-------|--------------|--------------|--------|---|---|--|---|
|  | 86434 | 1 1/4" | 1/8" | \$8.00 |  |  Satin Brass (US4) |  Oil Rubbed Bronze (US10B) |  Polished Nickel (US14) |
| | | | | | |  Satin Nickel (US15) |  Flat Black (US19) |  Polished Chrome (US26) |


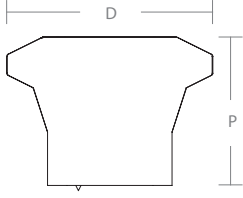






| ART DECO RECTANGULAR BACKPLATE FOR PULL | | Product Code | C-to-C | W x H | Depth | List Price | Finish | | |
|--|-------|--------------|-------------|-------|---|---|--|--|---|
|  | 86435 | 4" | 5 1/4" x 1" | 1/8" | \$12.00 |  |  Polished Nickel (US14) |  Flat Black (US19) |  Polished Chrome (US26) |
| | | | | |  Satin Brass (US4) | |  Oil Rubbed Bronze (US10B) |  Satin Nickel (US15) | |

| ART DECO PULL | Product Code | C-to-C | Overall | Projection(P) | List Price | Finish |
|---|--------------|--------|---------|---------------|------------|--|
|  | 86422 | 3 1/2" | 4 3/8" | 1 1/8" | \$18.00 |  |
| | 86423 | 4" | 4 7/8" | 1 1/8" | \$21.00 | |
|  | | | | | | |



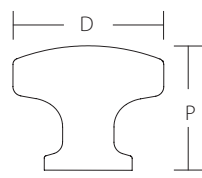
| ALEXANDER PULL | Product Code | C-to-C | Overall | Projection(P) | List Price | Finish | |
|---|---|--------|---------|---------------|------------|---|--|
|  | 86424 | 3 1/2" | 4 1/8" | 1 1/8" | \$18.00 |  | |
| | 86425 | 4" | 4 5/8" | 1 1/8" | \$21.00 | | |
| | 86484 | 5" | 5 5/8" | 1 1/8" | \$23.00 | | |
| | 86426 | 6" | 6 3/8" | 1 1/8" | \$24.00 | | |
| | 86427 | 8" | 8 5/8" | 1 1/8" | \$28.00 | | |
| | 86485 | 10" | 10 5/8" | 1 1/8" | \$40.00 | | |
| | 86479 | 12" | 12 5/8" | 1 1/8" | \$51.00 | | |
| | <i>Also available in Appliance Pulls:</i> | | | | | | |
| | 86442 | 12" | 13" | 2" | \$207.00 | | |
| | 86443 | 18" | 19" | 2" | \$302.00 | | |
|  | | | | | | | |


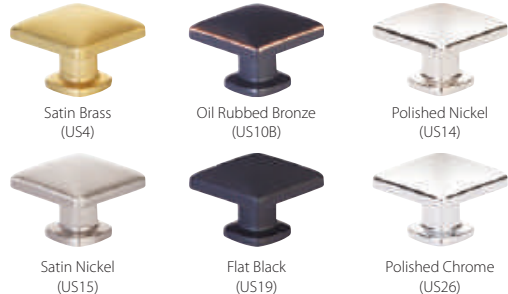
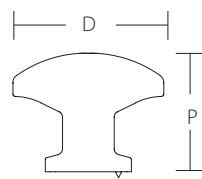
| TRIBECA PULL | Product Code | C-to-C | Overall | Projection(P) | List Price | Finish | |
|---|---|--------|---------|---------------|------------|--|--|
|  | 86428 | 3 1/2" | 5 1/2" | 1 1/4" | \$18.00 |  | |
| | 86429 | 4" | 6" | 1 1/4" | \$21.00 | | |
| | 86489 | 5" | 7" | 1 1/4" | \$23.00 | | |
| | 86430 | 6" | 8" | 1 1/4" | \$24.00 | | |
| | 86431 | 8" | 10" | 1 1/4" | \$28.00 | | |
| | 86490 | 10" | 12" | 1 3/8" | \$40.00 | | |
| | 86491 | 12" | 14" | 1 3/8" | \$51.00 | | |
| | <i>Also available in Appliance Pulls:</i> | | | | | | |
| | 87005 | 12" | 15" | 2 1/8" | \$207.00 | | |
| | 87006 | 18" | 21" | 2 1/8" | \$302.00 | | |
|  | | | | | | | |



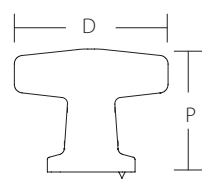
| RIVIERA SQUARE KNOB | Product Code | Dimension(D) | Projection(P) | List Price | Finish |
|---|--------------|--------------|---------------|------------|---|
|  | 86612 | 1 1/4" | 1 1/4" | \$13.00 | |
| | | | | |  |
| <div style="display: flex; justify-content: space-around;"> <div style="text-align: center;">  Satin Brass (US4) </div> <div style="text-align: center;">  Oil Rubbed Bronze (US10B) </div> <div style="text-align: center;">  Polished Nickel (US14) </div> </div> <div style="display: flex; justify-content: space-around; margin-top: 20px;"> <div style="text-align: center;">  Satin Nickel (US15) </div> <div style="text-align: center;">  Flat Black (US19) </div> <div style="text-align: center;">  Polished Chrome (US26) </div> </div> | | | | | |



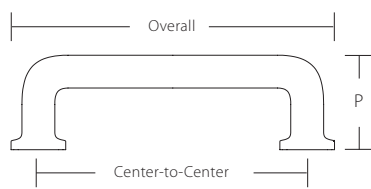
| RIVIERA RECTANGULAR KNOB | Product Code | Dimension(D) | Projection(P) | List Price | Finish |
|--|--------------|--------------|---------------|------------|--|
|  | 86613 | 2" x 1 3/8" | 1 1/2" | \$23.00 | |
| | | | | |  |
| <div style="display: flex; justify-content: space-around;"> <div style="text-align: center;">  Satin Brass (US4) </div> <div style="text-align: center;">  Oil Rubbed Bronze (US10B) </div> <div style="text-align: center;">  Polished Nickel (US14) </div> </div> <div style="display: flex; justify-content: space-around; margin-top: 20px;"> <div style="text-align: center;">  Satin Nickel (US15) </div> <div style="text-align: center;">  Flat Black (US19) </div> <div style="text-align: center;">  Polished Chrome (US26) </div> </div> | | | | | |

| RIVIERA PULL | Product Code | C-to-C | Overall | Projection(P) | List Price | Finish | |
|---|---|--------|---------|---|------------|--------|--|
|  | 86614 | 3 1/2" | 4" | 1 1/2" | \$18.00 | | |
| | 86615 | 4" | 4 1/2" | 1 1/2" | \$21.00 | | |
| | 86616 | 5" | 5 1/2" | 1 1/2" | \$23.00 | | |
| | 86617 | 6" | 6 1/2" | 1 1/2" | \$24.00 | | |
| | 86618 | 8" | 8 1/2" | 1 1/2" | \$28.00 | | |
| | 86619 | 10" | 10 1/2" | 1 1/2" | \$40.00 | | |
| | 86620 | 12" | 12 1/2" | 1 1/2" | \$51.00 | | |
| | <i>Also available in Appliance Pulls:</i> | | | | | | |
| | 86621 | 12" | 12 7/8" | 2" | \$207.00 | | |
| | 86622 | 18" | 18 7/8" | 2" | \$302.00 | | |
| | | | |  | | | |
| <div style="display: flex; justify-content: space-around;"> <div style="text-align: center;">  Polished Chrome (US26) </div> <div style="text-align: center;">  Flat Black (US19) </div> <div style="text-align: center;">  Oil Rubbed Bronze (US10B) </div> </div> <div style="display: flex; justify-content: space-around; margin-top: 20px;"> <div style="text-align: center;">  Satin Nickel (US15) </div> <div style="text-align: center;">  Polished Nickel (US14) </div> <div style="text-align: center;">  Satin Brass (US4) </div> </div> | | | | | | | |








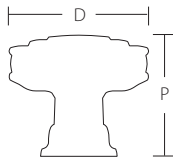
| PAXTON KNOB | Product Code | Dimension(D) | Projection(P) | List Price | Finish |
|---|---|--------------|---------------|------------|---|
|  | 86642 | 1 1/4" | 1" | \$13.00 |  |
| |  | | | | |








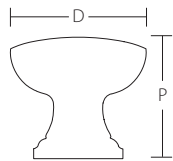
| LAWSON KNOB | Product Code | Dimension(D) | Projection(P) | List Price | Finish |
|---|---|--------------|---------------|------------|---|
|  | 86643 | 1 1/4" | 1" | \$13.00 |  |
| |  | | | | |








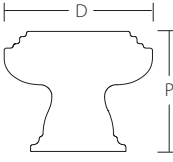
| KENTER KNOB | Product Code | Dimension(D) | Projection(P) | List Price | Finish |
|---|---|--------------|---------------|------------|---|
|  | 86644 | 1 1/4" | 1" | \$13.00 |  |
| |  | | | | |








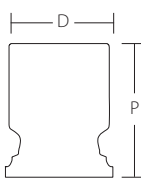
| WESTRIDGE PULL | Product Code | C-to-C | Overall | Projection(P) | List Price | Finish |
|---|--------------|--------|---------|---------------|------------|--|
|  | 86633 | 3 1/2" | 4 1/4" | 1 1/4" | \$18.00 |  |
| | 86634 | 4" | 4 3/4" | 1 1/4" | \$21.00 | |
| | 86635 | 5" | 5 3/4" | 1 1/4" | \$23.00 | |
| | 86636 | 6" | 6 3/4" | 1 1/4" | \$24.00 | |
| | 86637 | 8" | 8 3/4" | 1 1/4" | \$28.00 | |
| | 86638 | 10" | 10 3/4" | 1 1/4" | \$40.00 | |
| | 86639 | 12" | 12 3/4" | 1 1/4" | \$51.00 | |
| <p><i>Also available in Appliance Pulls:</i></p> | | | | | | |
| | 86640 | 12" | 13 1/8" | 2" | \$207.00 | |
| | 86641 | 18" | 19 1/8" | 2" | \$302.00 | |
|  | | | | | | |

TRANSITIONAL HERITAGE

| GLENDON KNOB | Product Code | Dimension(D) | Projection(P) | List Price | Finish |
|---|--------------|--------------|---------------|------------|---|
|  | 86463 | 1 ¼" | 1 ¼" | \$13.00 |  Satin Brass (US4)  Oil Rubbed Bronze (US10B)  Polished Nickel (US14)  Satin Nickel (US15)  Flat Black (US19)  Polished Chrome (US26) |
| | 86464 | 1 ⅝" | 1 ½" | \$23.00 | |
|  | | | | | |

| OVERLAND KNOB | Product Code | Dimension(D) | Projection(P) | List Price | Finish |
|---|--------------|--------------|---------------|------------|--|
|  | 86467 | 1 ¼" | 1 ¼" | \$13.00 |  Satin Brass (US4)  Oil Rubbed Bronze (US10B)  Polished Nickel (US14)  Satin Nickel (US15)  Flat Black (US19)  Polished Chrome (US26) |
| | 86468 | 1 ¾" | 1 ½" | \$23.00 | |
|  | | | | | |

| MIDVALE KNOB | Product Code | Dimension(D) | Projection(P) | List Price | Finish |
|---|--------------|--------------|---------------|------------|---|
|  | 86465 | 1 ¼" | 1" | \$13.00 |  Satin Brass (US4)  Oil Rubbed Bronze (US10B)  Polished Nickel (US14)  Satin Nickel (US15)  Flat Black (US19)  Polished Chrome (US26) |
| | 86466 | 1 ¾" | 1 ¼" | \$23.00 | |
|  | | | | | |

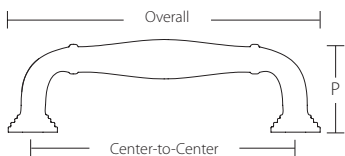
| PROSSER KNOB | Product Code | Dimension(D) | Projection(P) | List Price | Finish |
|---|--------------|--------------|---------------|------------|---|
|  | 86469 | 1" | 1 ¼" | \$12.00 |  Satin Brass (US4)  Oil Rubbed Bronze (US10B)  Polished Nickel (US14)  Satin Nickel (US15)  Flat Black (US19)  Polished Chrome (US26) |
| | 86470 | 1 ¼" | 1 ⅜" | \$13.00 | |
|  | | | | | |

BLYTHE PULL

| Product Code | C-to-C | Overall | Projection(P) | List Price |
|--------------|--------|---------|---------------|------------|
| 86471 | 3 1/2" | 4 1/4" | 1 1/4" | \$18.00 |
| 86472 | 4" | 4 3/4" | 1 1/4" | \$21.00 |
| 86473 | 6" | 6 5/8" | 1 3/8" | \$24.00 |
| 86474 | 8" | 8 5/8" | 1 1/2" | \$28.00 |

Also available in Appliance Pulls:

| | | | | |
|-------|-----|-----|----|----------|
| 86910 | 12" | 13" | 2" | \$207.00 |
| 86911 | 18" | 19" | 2" | \$302.00 |



Finish

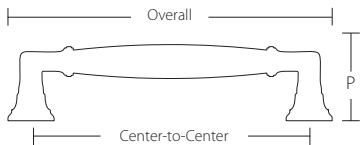


WESTWOOD PULL

| Product Code | C-to-C | Overall | Projection(P) | List Price |
|--------------|--------|---------|---------------|------------|
| 86475 | 3 1/2" | 4 1/4" | 1 1/8" | \$18.00 |
| 86476 | 4" | 4 5/8" | 1 1/8" | \$21.00 |
| 86477 | 6" | 6 5/8" | 1 1/8" | \$24.00 |
| 86478 | 8" | 8 5/8" | 1 1/4" | \$28.00 |

Also available in Appliance Pulls:



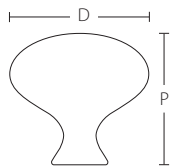
| | | | | |
|-------|-----|-----|--------|----------|
| 86912 | 12" | 13" | 2 1/8" | \$207.00 |
| 86913 | 18" | 19" | 2 1/8" | \$302.00 |


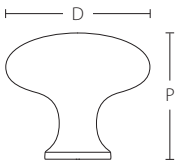




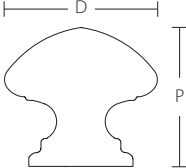
Finish











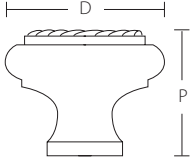












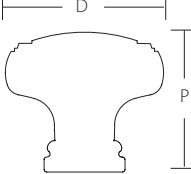
TRADITIONAL











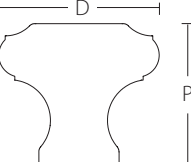
| EGG KNOB | Product Code | Dimension(D) | Projection(P) | List Price | Finish |
|---|--------------|--------------|---------------|------------|--|
|  | 86015 | 1" | 1" | \$12.00 |  |
| | 86016 | 1 1/4" | 1 1/4" | \$13.00 | |
| | 86124 | 1 3/4" | 1 5/8" | \$24.00 | |
|  | | | | | |

| PROVIDENCE KNOB | Product Code | Dimension(D) | Projection(P) | List Price | Finish |
|---|--------------|--------------|---------------|------------|---|
|  | 86013 | 1" | 1" | \$12.00 |  |
| | 86014 | 1 1/4" | 1 1/8" | \$13.00 | |
| | 86027 | 1 3/4" | 1 1/2" | \$24.00 | |
|  | | | | | |



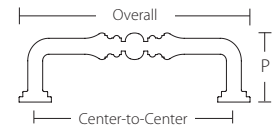
| MELON KNOB | Product Code | Dimension(D) | Projection(P) | List Price | Finish |
|---|--------------|--------------|---------------|------------|--|
|  | 86121 | 1" | 1" | \$13.00 |  |
| | 86122 | 1 1/4" | 1 1/4" | \$16.00 | |
| | 86203 | 1 3/4" | 1 3/4" | \$26.00 | |
|  | | | | | |



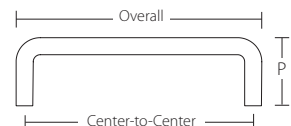
| ROPE KNOB | Product Code | Dimension(D) | Projection(P) | List Price | Finish |
|---|--------------|--------------|---------------|------------|---|
|  | 86112 | 1" | 1" | \$13.00 |  Polished Brass (US3)  French Antique (US7)  Oil Rubbed Bronze (US10B)  Polished Nickel (US14)  Satin Nickel (US15)  Pewter (US15A)  Flat Black (US19)  Polished Chrome (US26)  Unlacquered Brass (US3NL) |
| | 86113 | 1 1/4" | 1 1/4" | \$16.00 | |
| | 86202 | 1 3/4" | 1 1/2" | \$26.00 | |
|  | | | | | |



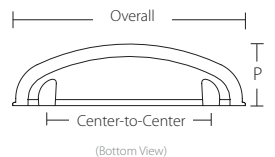
| NORWICH KNOB | Product Code | Dimension(D) | Projection(P) | List Price | Finish |
|---|--------------|--------------|---------------|------------|---|
|  | 86610 | 1 1/4" | 1 1/8" | \$16.00 |  Polished Brass (US3)  French Antique (US7)  Oil Rubbed Bronze (US10B)  Polished Nickel (US14)  Satin Nickel (US15)  Pewter (US15A)  Flat Black (US19)  Polished Chrome (US26)  Unlacquered Brass (US3NL) |
| | 86611 | 1 5/8" | 1 1/2" | \$26.00 | |
| | | | | | |
|  | | | | | |


| WAVERLY KNOB | Product Code | Dimension(D) | Projection(P) | List Price | Finish |
|---|--------------|--------------|---------------|------------|---|
|  | 86114 | 1" | 1" | \$12.00 |  Polished Brass (US3)  French Antique (US7)  Oil Rubbed Bronze (US10B)  Polished Nickel (US14)  Satin Nickel (US15)  Pewter (US15A)  Flat Black (US19)  Polished Chrome (US26)  Unlacquered Brass (US3NL) |
| | 86115 | 1 1/4" | 1 1/8" | \$13.00 | |
| | 86201 | 1 3/4" | 1 1/2" | \$24.00 | |
|  | | | | | |








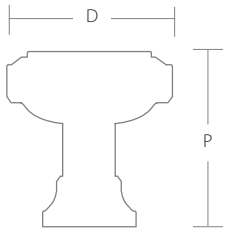
TRADITIONAL








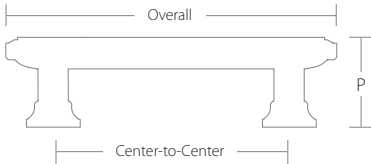
| SPINDLE PULL | Product Code | C-to-C | Overall | Projection(P) | List Price | Finish |
|---|--------------|--------|---------|---------------|------------|--|
|  | 86128 | 3" | 3 1/2" | 1 1/4" | \$16.00 |  <p>Polished Brass (US3)</p> <p>French Antique (US7)</p> <p>Oil Rubbed Bronze (US10B)</p> <p>Polished Nickel (US14)</p> <p>Satin Nickel (US15)</p> <p>Pewter (US15A)</p> <p>Flat Black (US19)</p> <p>Polished Chrome (US26)</p> <p>Unlacquered Brass (US3NL)</p> |
| | 86129 | 3 1/2" | 4 1/8" | 1 1/4" | \$18.00 | |
| | 86130 | 4" | 4 1/2" | 1 1/4" | \$21.00 | |
| | 86248 | 6" | 6 1/2" | 1 1/4" | \$24.00 | |
|  | | | | | | |



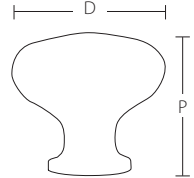
| WIRE PULL | Product Code | C-to-C | Overall | Projection(P) | List Price | Finish |
|---|--------------|--------|---------|---------------|------------|---|
|  | 86131 | 3" | 3 1/4" | 1 1/4" | \$12.00 |  <p>Polished Brass (US3)</p> <p>French Antique (US7)</p> <p>Oil Rubbed Bronze (US10B)</p> <p>Polished Nickel (US14)</p> <p>Satin Nickel (US15)</p> <p>Pewter (US15A)</p> <p>Flat Black (US19)</p> <p>Polished Chrome (US26)</p> <p>Unlacquered Brass (US3NL)</p> |
| | 86132 | 3 1/2" | 3 3/4" | 1 1/4" | \$13.00 | |
| | 86133 | 4" | 4 1/4" | 1 1/4" | \$15.00 | |
| | 86249 | 6" | 6 1/4" | 1 1/4" | \$21.00 | |
|  | | | | | | |


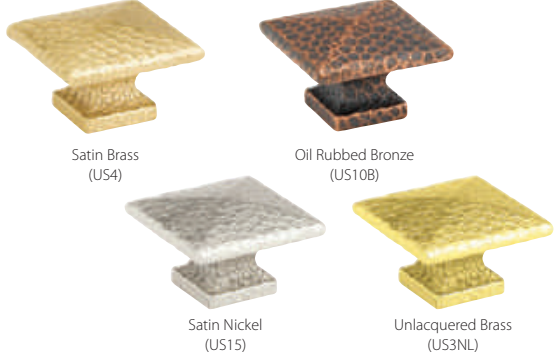
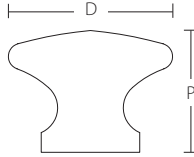
| CUP PULL | Product Code | C-to-C | Overall | Height | Projection(P) | List Price | Finish |
|--|--------------|--------|---------|--------|---------------|------------|--|
|  | 86123 | 3" | 4 1/4" | 1 1/4" | 1 1/8" | \$24.00 |  <p>Polished Brass (US3)</p> <p>French Antique (US7)</p> <p>Oil Rubbed Bronze (US10B)</p> <p>Polished Nickel (US14)</p> <p>Satin Nickel (US15)</p> <p>Pewter (US15A)</p> <p>Flat Black (US19)</p> <p>Polished Chrome (US26)</p> <p>Unlacquered Brass (US3NL)</p> |
| | 86173 | 4" | 5 1/4" | 1 1/2" | 1 1/2" | \$30.00 | |
|  <p>(Bottom View)</p> | | | | | | | |



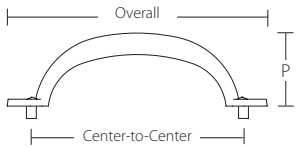
| GEOMETRIC OVAL KNOB | | Product Code | Dimension(D) | Projection(P) | List Price | Finish |
|---|--|--------------|--------------|---------------|------------|---|
|  | | 86304 | 1 1/4" | 1 1/4" | \$16.00 |  Satin Brass (US4)  Oil Rubbed Bronze (US10B)  Polished Nickel (US14)  Satin Nickel (US15)  Flat Black (US19)  Polished Chrome (US26) |
| | | 86305 | 1 1/2" | 1 1/2" | \$18.00 | |
| | | 86306 | 1 3/4" | 1 1/2" | \$26.00 | |
|  | | | | | | |


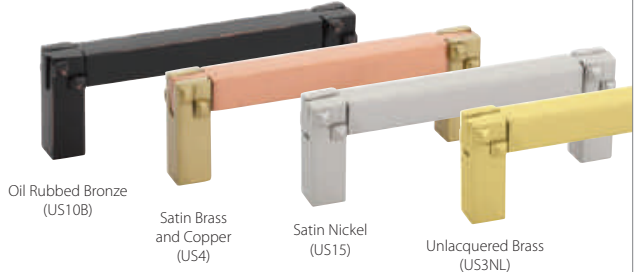
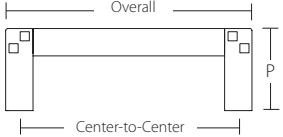
| GEOMETRIC SQUARE KNOB | | Product Code | Dimension(D) | Projection(P) | List Price | Finish |
|---|--|--------------|--------------|---------------|------------|--|
|  | | 86295 | 1 1/4" | 1 1/4" | \$18.00 |  Satin Brass (US4)  Oil Rubbed Bronze (US10B)  Polished Nickel (US14)  Satin Nickel (US15)  Flat Black (US19)  Polished Chrome (US26) |
| | | 86296 | 1 5/8" | 1 3/8" | \$26.00 | |
|  | | | | | | |


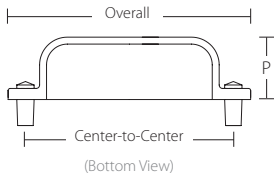
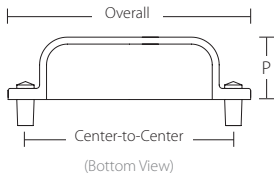
| GEOMETRIC RECTANGULAR PULL | | Product Code | C-to-C | Overall | Projection(P) | List Price | Finish |
|---|---|--------------|--------|---------|---------------|------------|--|
|  | | 86299 | 3" | 4 1/4" | 1 1/8" | \$18.00 |  Satin Brass (US4)  Oil Rubbed Bronze (US10B)  Polished Nickel (US14)  Satin Nickel (US15)  Flat Black (US19)  Polished Chrome (US26) |
| | | 86300 | 3 1/2" | 4 5/8" | 1 1/8" | \$21.00 | |
| | | 86301 | 4" | 5 1/4" | 1 1/8" | \$23.00 | |
| | | 86492 | 5" | 6 1/4" | 1 1/8" | \$24.00 | |
| | | 86302 | 6" | 7 1/4" | 1 1/8" | \$26.00 | |
| | | 86303 | 10" | 11 1/4" | 1 1/8" | \$45.00 | |
| | | 86493 | 12" | 13 1/4" | 1 1/8" | \$60.00 | |
| |  | | | | | | |




| ROUND DIMPLED KNOB | Product Code | Dimension(D) | Projection(P) | List Price | Finish |
|---|--------------|--------------|---------------|------------|--|
|  | 86037 | 1 1/4" | 1 1/4" | \$21.00 |  |
| | 86213 | 1 3/4" | 1 1/2" | \$45.00 | |
|  | | | | | |

| SQUARE DIMPLED KNOB | Product Code | Dimension(D) | Projection(P) | List Price | Finish |
|--|--------------|--------------|---------------|------------|---|
|  | 86038 | 1" | 3/4" | \$18.00 |  |
| | 86039 | 1 1/4" | 1" | \$21.00 | |
| | 86212 | 1 3/4" | 1 1/8" | \$45.00 | |
|  | | | | | |




| HAMMERED PULL | Product Code | C-to-C | Overall | Projection(P) | List Price | Finish |
|---|--------------|--------|---------|---------------|------------|--|
|  | 86046 | 3" | 3 7/8" | 1" | \$21.00 |  |
| | 86047 | 3 1/2" | 4 3/8" | 1" | \$23.00 | |
| | 86048 | 4" | 4 7/8" | 1" | \$24.00 | |
|  | | | | | | |

| MORTISE & TENON PULL | Product Code | C-to-C | Overall | Projection(P) | List Price | Finish |
|---|--------------|--------|---------|---------------|------------|--|
|  | 86043 | 3" | 3 3/8" | 1 1/8" | \$27.00 |  |
| | 86044 | 3 1/2" | 3 7/8" | 1 1/8" | \$28.00 | |
| | 86045 | 4" | 4 3/8" | 1 1/8" | \$30.00 | |
| | 86276 | 6" | 6 3/8" | 1 1/8" | \$38.00 | |
|  | | | | | | |



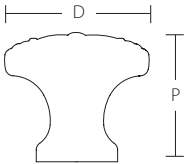
| HAMMERED BIN PULL | Product Code | C-to-C | Overall | Height | Projection(P) | List Price | Finish |
|---|--|--------|---------|--------|---------------|------------|--|
|  | 86049 | 3" | 3 1/2" | 1 1/2" | 1" | \$30.00 |  <p>Satin Brass (US4)</p> <p>Oil Rubbed Bronze (US10B)</p> <p>Satin Nickel (US15)</p> <p>Unlacquered Brass (US3NL)</p> |
| |  <p>Overall</p> <p>Center-to-Center (Bottom View)</p> <p>Projection (P)</p> | | | | | | |


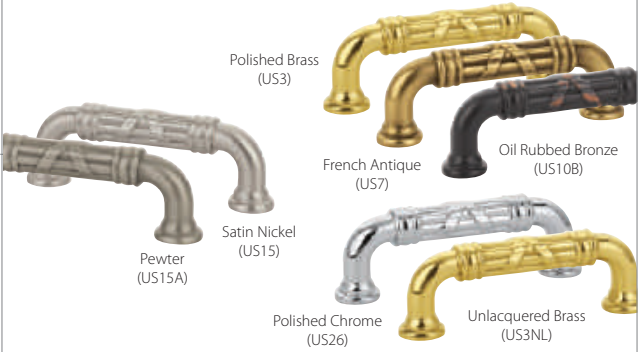
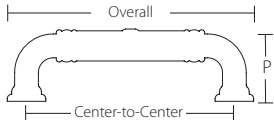
| HAMMERED VERTICAL RING PULL | Product Code | C-to-C | W x H | List Price | Finish |
|--|--|--------|-----------------|------------|--|
|  | 86042 | 1 1/2" | 1 1/4" x 3 1/2" | \$30.00 |  <p>Satin Brass (US4)</p> <p>Oil Rubbed Bronze (US10B)</p> <p>Satin Nickel (US15)</p> <p>Unlacquered Brass (US3NL)</p> |
| |  <p>W</p> <p>H</p> | | | | |

| HAMMERED RING PULL | Product Code | W x H | List Price | Finish |
|---|---|-----------------|------------|--|
|  | 86040 | 1 3/4" x 1 1/2" | \$27.00 |  <p>Satin Brass (US4)</p> <p>Oil Rubbed Bronze (US10B)</p> <p>Satin Nickel (US15)</p> <p>Unlacquered Brass (US3NL)</p> |
| |  <p>W</p> <p>H</p> | | | |


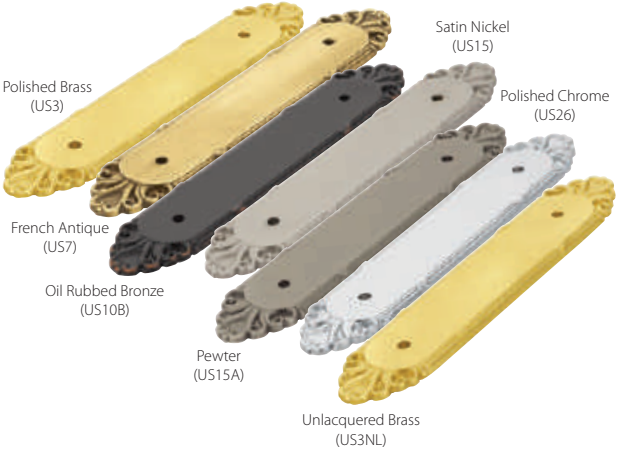
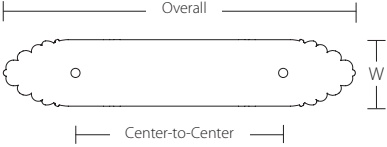
| HAMMERED OVAL PULL | Product Code | W x H | List Price | Finish |
|---|---|-------------|------------|---|
|  | 86041 | 3" x 1 3/4" | \$30.00 |  <p>Satin Brass (US4)</p> <p>Oil Rubbed Bronze (US10B)</p> <p>Satin Nickel (US15)</p> <p>Unlacquered Brass (US3NL)</p> |
| |  <p>W</p> <p>H</p> | | | |

RIBBON & REED

| RIBBON & REED KNOB | Product Code | Dimension(D) | Projection(P) | List Price | Finish |
|---|--------------|--------------|---------------|------------|--|
|  | 86277 | 1 1/4" | 1 1/4" | \$16.00 |  |
| | 86278 | 1 3/4" | 1 1/2" | \$26.00 | |
|  | | | | | |

| RIBBON & REED ESTATE PULL | Product Code | C-to-C | Overall | Projection(P) | List Price | Finish |
|---|--------------|--------|---------|---------------|------------|---|
|  | 86283 | 3" | 3 5/8" | 1 1/4" | \$25.00 |  |
| | 86284 | 3 1/2" | 4 1/8" | 1 1/4" | \$26.00 | |
| | 86285 | 4" | 4 5/8" | 1 1/4" | \$27.00 | |
| | 86286 | 6" | 6 5/8" | 1 1/4" | \$36.00 | |
| | 86287 | 10" | 10 5/8" | 1 3/8" | \$62.00 | |
|  | | | | | | |

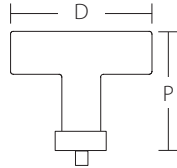
| RIBBON & REED BACKPLATE FOR KNOB | Product Code | Dimension(D) | Width(W) | List Price | Finish |
|---|---|--------------|----------|------------|--|
|  | 86293 | 2 1/2" | 1 1/4" | \$13.00 |  |
| |  | | | | |

| RIBBON & REED BACKPLATE FOR PULL | Product Code | C-to-C | Overall | Width(W) | List Price | Finish |
|--|---|--------|---------|----------|------------|--|
|  | 86294 | 4" | 6 3/4" | 1 1/4" | \$26.00 |  |
| |  | | | | | |

MODERN GLASS T-KNOB



| Product Code | Dimension(D) | Projection(P) | List Price |
|--------------|--------------|---------------|------------|
| 86723 | 2 1/8" | 1 3/4" | \$35.00 |



Base Finish



Polished Brass (US3)



Satin Brass (US4)



French Antique (US7)



Oil Rubbed Bronze (US10B)



Polished Nickel (US14)



Satin Nickel (US15)



Pewter (US15A)



Flat Black (US19)



Polished Chrome (US26)

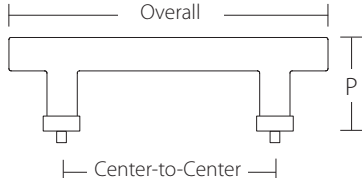


Unlacquered Brass (US3NL)

MODERN GLASS BAR PULL



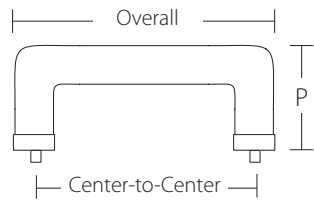
| Product Code | C-to-C | Overall | Projection(P) | List Price |
|--------------|--------|---------|---------------|------------|
| 86724 | 4" | 6" | 1 3/4" | \$89.00 |


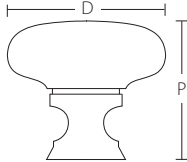



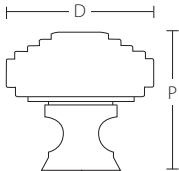
MODERN GLASS PULL


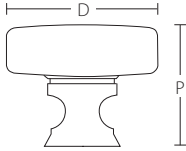



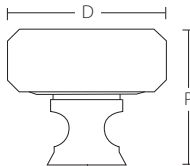
| Product Code | C-to-C | Overall | Projection(P) | List Price |
|--------------|--------|---------|---------------|------------|
| 86725 | 4" | 4 3/4" | 1 7/8" | \$89.00 |








| PROVIDENCE GLASS KNOB | Product Code | Dimension(D) | Projection(P) | List Price |
|---|--------------|--------------|---------------|------------|
|  | 86567 | 1 3/8" | 1 3/8" | \$28.00 |
| | 86568 | 1 3/4" | 1 1/2" | \$45.00 |
|  | | | | |


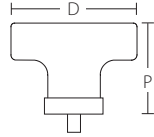
| DECO GLASS KNOB | Product Code | Dimension(D) | Projection(P) | List Price |
|--|--------------|--------------|---------------|------------|
|  | 86563 | 1 1/4" | 1 3/8" | \$28.00 |
| | 86564 | 1 5/8" | 1 5/8" | \$45.00 |
|  | | | | |


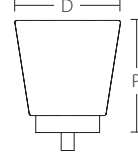
| WINDSOR GLASS KNOB | Product Code | Dimension(D) | Projection(P) | List Price |
|---|--------------|-----------------|---------------|------------|
|  | 86566 | 1 5/8" x 1 1/8" | 1 1/4" | \$28.00 |
|  | | | | |


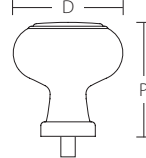
| LOWELL GLASS KNOB | Product Code | Dimension(D) | Projection(P) | List Price |
|---|--------------|--------------|---------------|------------|
|  | 86571 | 1 3/8" | 1 1/4" | \$28.00 |
|  | | | | |


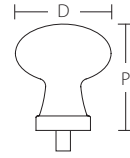
| Base Finish |
|--|
|  Polished Brass (US3) |
|  Satin Brass (US4) |
|  French Antique (US7) |
|  Oil Rubbed Bronze (US10B) |
|  Polished Nickel (US14) |
|  Satin Nickel (US15) |
|  Pewter (US15A) |
|  Flat Black (US19) |
|  Polished Chrome (US26) |
|  Unlacquered Brass (US3NL) |

| JUNEAU GLASS KNOB | Product Code | Dimension(D) | Projection(P) | List Price |
|---|--|--------------|---------------|------------|
|  | 86562 | 1 1/8" | 1 3/8" | \$28.00 |
| |  | | | |

| GRAYSON GLASS KNOB | Product Code | Dimension(D) | Projection(P) | List Price |
|--|--------------|--------------|---------------|------------|
|  | 86569 | 1 1/4" | 1 1/8" | \$28.00 |
| | 86570 | 1 3/4" | 1 1/4" | \$45.00 |
|  | | | | |

| FORZA GLASS KNOB | Product Code | Dimension(D) | Projection(P) | List Price |
|--|--|--------------|---------------|------------|
|  | 86565 | 1 1/4" | 1 1/4" | \$28.00 |
| |  | | | |

| GEORGETOWN GLASS KNOB | Product Code | Dimension(D) | Projection(P) | List Price |
|--|--------------|--------------|---------------|------------|
|  | 86399 | 1 1/4" | 1 1/2" | \$28.00 |
| | 86400 | 1 3/4" | 1 3/4" | \$45.00 |
|  | | | | |

| HAMPTON GLASS KNOB | Product Code | Dimension(D) | Projection(P) | List Price |
|--|--------------|--------------|---------------|------------|
|  | 86401 | 1 1/4" | 1 3/8" | \$28.00 |
| | 86402 | 1 3/4" | 1 3/8" | \$45.00 |
|  | | | | |

Base Finish



Polished Brass (US3)



Satin Brass (US4)



French Antique (US7)



Oil Rubbed Bronze (US10B)



Polished Nickel (US14)



Satin Nickel (US15)



Pewter (US15A)




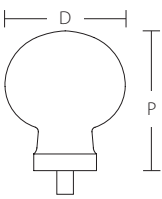
Flat Black (US19)


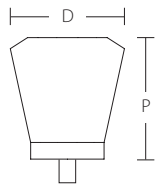



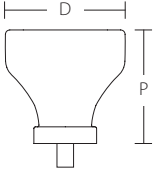
Polished Chrome (US26)


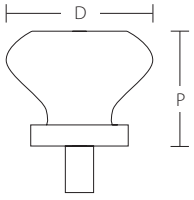


Unlacquered Brass (US3NL)


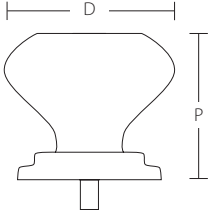
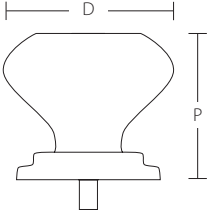
| BRISTOL GLASS KNOB | Product Code | Dimension(D) | Projection(P) | List Price |
|---|--------------|--------------|---------------|------------|
|  | 86394 | 1" | 1 3/8" | \$25.00 |
| | 86395 | 1 1/4" | 1 5/8" | \$28.00 |
|  | | | | |


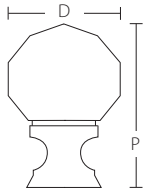
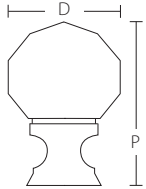
| BROOKMONT GLASS KNOB | Product Code | Dimension(D) | Projection(P) | List Price |
|--|--------------|--------------|---------------|------------|
|  | 86396 | 1" | 1 1/4" | \$25.00 |
| | 86397 | 1 1/4" | 1 1/2" | \$28.00 |
| | 86398 | 1 5/8" | 1 3/4" | \$45.00 |
|  | | | | |




| LIDO GLASS KNOB | Product Code | Dimension(D) | Projection(P) | List Price |
|---|--------------|--------------|---------------|------------|
|  | 86403 | 1 3/8" | 1 3/8" | \$28.00 |
| | 86404 | 1 5/8" | 1 1/2" | \$45.00 |
|  | | | | |

| OLD TOWN GLASS KNOB | Product Code | Dimension(D) | Projection(P) | List Price |
|---|--------------|--------------|---------------|------------|
|  | 86010 | 1" | 7/8" | \$25.00 |
| | 86011 | 1 1/4" | 1 1/8" | \$28.00 |
|  | | | | |












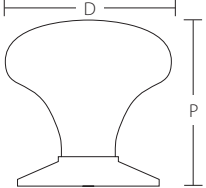


| Base Finish |
|--|
|  <p>Polished Brass (US3)</p> |
|  <p>Satin Brass (US4)</p> |
|  <p>French Antique (US7)</p> |
|  <p>Oil Rubbed Bronze (US10B)</p> |
|  <p>Polished Nickel (US14)</p> |
|  <p>Satin Nickel (US15)</p> |
|  <p>Pewter (US15A)</p> |
|  <p>Flat Black (US19)</p> |
|  <p>Polished Chrome (US26)</p> |
|  <p>Unlacquered Brass (US3NL)</p> |


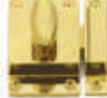



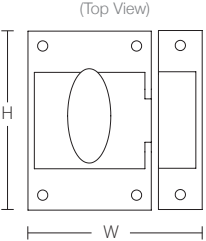




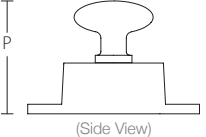

| OLD TOWN WARDROBE GLASS KNOB | Product Code | Dimension(D) | Projection(P) | List Price | Base Finish |
|---|--------------|--------------|---------------|------------|--|
|  | 86028 | 1 3/4" | 1 1/2" | \$45.00 |  |
|  | | | | | |



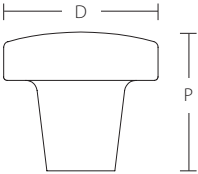
| DIAMOND GLASS KNOB | Product Code | Dimension(D) | Projection(P) | List Price | Base Finish |
|---|--------------|--------------|---------------|------------|---|
|  | 86003 | 1" | 1 3/8" | \$25.00 |  |
| 86012 | 1 1/4" | 1 7/8" | \$28.00 | | |
| 86209 | 1 3/4" | 2" | \$45.00 | | |
|  | | | | | |

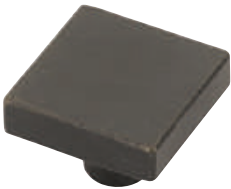
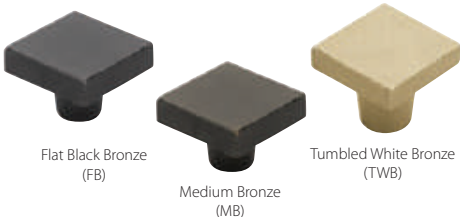
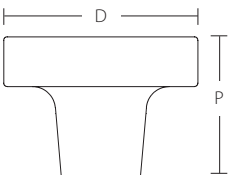
| ASTORIA GLASS KNOB | Product Code | Dimension(D) | Projection(P) | List Price | Finish |
|---|--------------|--------------|---------------|------------|---|
|  | 86017 | 1 1/8" | 1 1/8" | \$13.00 |  <p data-bbox="1225 1957 1417 1978">Includes 2 Screws (US3 & US26)</p> |
| 86210 | 1 1/2" | 1 1/2" | \$18.00 | | |
|  | | | | | |


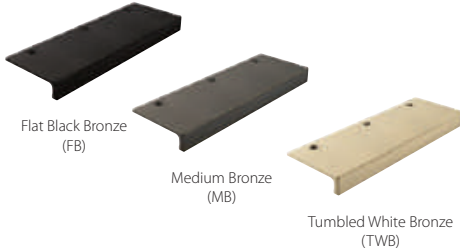
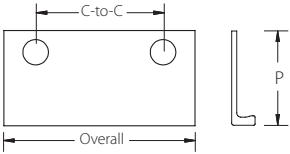
PORCELAIN | CABINET LATCH



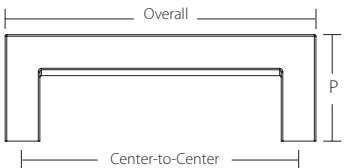
| PORCELAIN KNOB WITH BASE | | Color | Product Code | Dimension(D) | Projection(P) | List Price | Color | Base Finish |
|---|-----------|-------|--------------|---|---------------|---|---|--|
|  | Ice White | 86001 | 1 3/8" | 1 3/8" | \$16.00 |  Ice White |  Polished Brass (US3) |  Satin Brass (US4) |
| | Ice White | 86034 | 1 3/4" | 1 3/4" | \$28.00 | |  French Antique (US7) |  Oil Rubbed Bronze (US10B) |
| | Ebony | 86009 | 1 3/8" | 1 3/8" | \$16.00 |  Ebony |  Polished Nickel (US14) |  Satin Nickel (US15) |
| | Ebony | 86033 | 1 3/4" | 1 3/4" | \$28.00 | |  Pewter (US15A) |  Flat Black (US19) |
| | | | |  | | |  Polished Chrome (US26) |  Unlacquered Brass (US3NL) |

| CABINET LATCH | | Product Code | W x H | Projection(P) | List Price | Finish | | | | |
|--|------|--------------|---|---------------|------------|---|--|---|--|--|
|  | 2270 | | 2" x 2 1/4" | 1 3/8" | \$47.00 |  Polished Brass (US3) |  Satin Brass (US4) |  French Antique (US7) |  Oil Rubbed Bronze (US10B) | |
| | | |  | | |  Polished Nickel (US14) |  Satin Nickel (US15) |  Pewter (US15A) |  Flat Black (US19) | |
| | | |  | | |  Polished Chrome (US26) | | | | |
| | | | | | | | Unlacquered Brass (US3NL) finish available for a \$5.00 List Price upcharge per item. | | | |

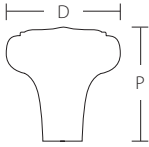
| RUSTIC MODERN ROUND KNOB | Product Code | Dimension(D) | Projection(P) | List Price | Finish |
|---|--------------|---|---------------|------------|---|
|  | 86660 | 1 3/8" | 1 1/4" | \$21.00 |  <p>Flat Black Bronze (FB) Medium Bronze (MB) Tumbled White Bronze (TWB)</p> |
| | 86661 | 1 3/4" | 1 3/8" | \$28.00 | |
| | |  | | | |

| RUSTIC MODERN SQUARE KNOB | Product Code | Dimension(D) | Projection(P) | List Price | Finish |
|---|--------------|---|---------------|------------|---|
|  | 86662 | 1 1/4" | 1 1/8" | \$21.00 |  <p>Flat Black Bronze (FB) Medium Bronze (MB) Tumbled White Bronze (TWB)</p> |
| | 86663 | 1 5/8" | 1 1/4" | \$28.00 | |
| | |  | | | |



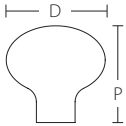
| RUSTIC MODERN EDGE PULL | Product Code | C-to-C | Overall | Width | Projection(P) | List Price | Finish |
|---|--------------|---|---------|-------|---------------|------------|---|
|  | 86664 | 1 1/2" | 3" | 1/8" | 2 1/8" | \$28.00 |  <p>Flat Black Bronze (FB) Medium Bronze (MB) Tumbled White Bronze (TWB)</p> |
| | 86665 | 4 1/2" | 6" | 1/8" | 2 1/8" | \$45.00 | |
| | 86666 | 10 1/2" | 12" | 1/8" | 2 1/8" | \$81.00 | |
| | |  | | | | | |


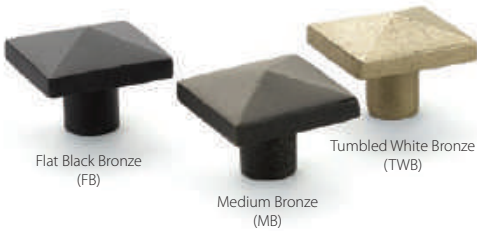
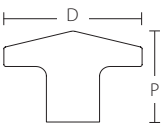
| RUSTIC MODERN PULL | Product Code | C-to-C | Overall | Width | Projection(P) | List Price | Finish | |
|---|---|---|---------|--------|---------------|------------|---|--|
|  | 86667 | 3 1/2" | 4" | 1/2" | 1 3/8" | \$28.00 |  <p>Tumbled White Bronze (TWB) Medium Bronze (MB) Flat Black Bronze (FB)</p> | |
| | 86668 | 4" | 4 1/2" | 1/2" | 1 3/8" | \$30.00 | | |
| | 86669 | 5" | 5 1/2" | 1/2" | 1 3/8" | \$35.00 | | |
| | 86670 | 6" | 6 1/2" | 1/2" | 1 3/8" | \$45.00 | | |
| | 86671 | 8" | 8 1/2" | 1/2" | 1 3/8" | \$48.00 | | |
| | 86672 | 10" | 10 1/2" | 1/2" | 1 3/8" | \$62.00 | | |
| | 86673 | 12" | 12 1/2" | 1/2" | 1 3/8" | \$81.00 | | |
| | <i>Also available in Appliance Pulls:</i> | | | | | | | |
| | 86674 | 12" | 12 5/8" | 1 3/4" | | \$227.00 | | |
| | 86675 | 18" | 18 3/8" | 1 3/4" | | \$320.00 | | |
| | |  | | | | | | |



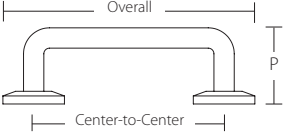
SANDCAST BRONZE


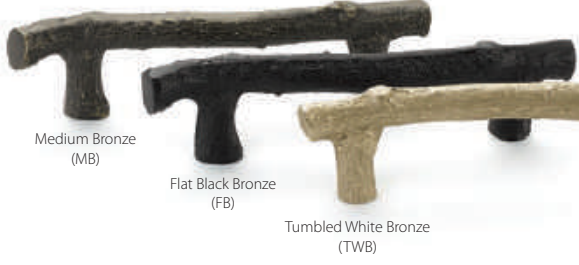
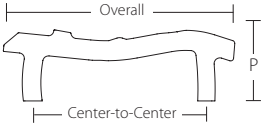
| SANDCAST BRONZE BARN KNOB | Product Code | Dimension(D) | Projection(P) | List Price | Finish |
|---|--------------|---|---------------|------------|--|
|  | 86338 | 1" | 1" | \$18.00 |  <p>Flat Black Bronze (FB) Medium Bronze (MB) Tumbled White Bronze (TWB)</p> |
| | 86339 | 1 ¼" | 1 ⅛" | \$21.00 | |
| | 86340 | 1 ¾" | 1 ½" | \$28.00 | |
| | |  | | | |


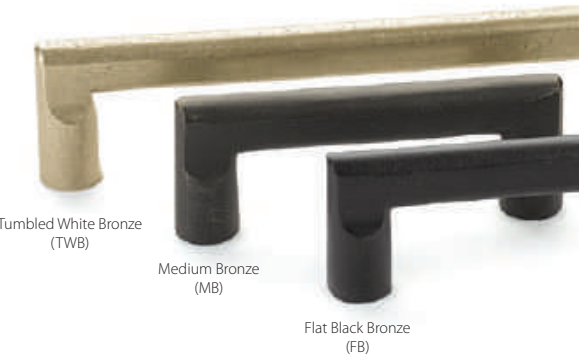
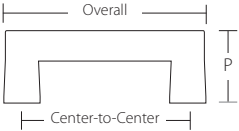
| SANDCAST BRONZE ROUND KNOB | Product Code | Dimension(D) | Projection(P) | List Price | Finish |
|---|--------------|---|---------------|------------|--|
|  | 86057 | 1" | 1" | \$18.00 |  <p>Flat Black Bronze (FB) Medium Bronze (MB) Tumbled White Bronze (TWB)</p> |
| | 86058 | 1 ¼" | 1 ⅛" | \$21.00 | |
| | 86117 | 1 ¾" | 1 ½" | \$28.00 | |
| | |  | | | |


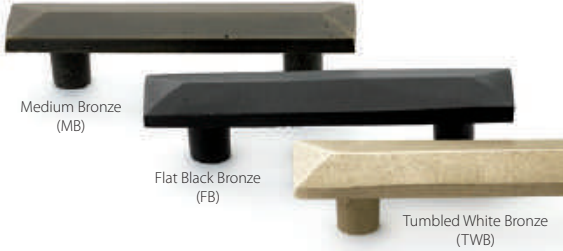
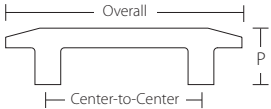
| SANDCAST BRONZE EGG KNOB | Product Code | Dimension(D) | Projection(P) | List Price | Finish |
|---|--------------|---|---------------|------------|--|
|  | 86052 | 1" | 1" | \$18.00 |  <p>Flat Black Bronze (FB) Medium Bronze (MB) Tumbled White Bronze (TWB)</p> |
| | 86053 | 1 ¼" | 1 ¼" | \$21.00 | |
| | 86217 | 1 ¾" | 1 ⅝" | \$28.00 | |
| | |  | | | |

| SANDCAST BRONZE SQUARE KNOB | Product Code | Dimension(D) | Projection(P) | List Price | Finish |
|---|--------------|---|---------------|------------|--|
|  | 86145 | 1 ¼" | 1" | \$21.00 |  <p>Flat Black Bronze (FB) Medium Bronze (MB) Tumbled White Bronze (TWB)</p> |
| | 86146 | 1 ⅝" | 1 ⅛" | \$28.00 | |
| | |  | | | |



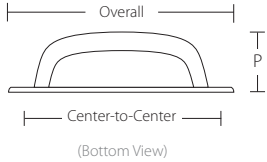
| SANDCAST BRONZE ROD PULL | Product Code | C-to-C | Overall | Projection(P) | List Price | Finish |
|---|--------------|--------|---|---------------|------------|--|
|  | 86054 | 3" | 4" | 1 1/4" | \$30.00 |  <p>Medium Bronze (MB) Flat Black Bronze (FB) Tumbled White Bronze (TWB)</p> |
| | 86055 | 3 1/2" | 4 1/2" | 1 1/4" | \$34.00 | |
| | 86056 | 4" | 5" | 1 1/4" | \$35.00 | |
| | 86253 | 6" | 7" | 1 1/4" | \$45.00 | |
| | | |  | | | |



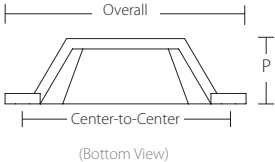
| SANDCAST BRONZE TWIG PULL | Product Code | C-to-C | Overall | Projection(P) | List Price | Finish |
|---|--------------|--------|---|---------------|------------|--|
|  | 86061 | 3" | 4 1/8" | 1 1/4" | \$26.00 |  <p>Medium Bronze (MB) Flat Black Bronze (FB) Tumbled White Bronze (TWB)</p> |
| | 86062 | 3 1/2" | 4 1/2" | 1 1/4" | \$28.00 | |
| | 86063 | 4" | 4 7/8" | 1 1/4" | \$30.00 | |
| | 86252 | 6" | 7 3/8" | 1 1/4" | \$45.00 | |
| | | |  | | | |



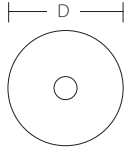
| SANDCAST BRONZE RAIL PULL | Product Code | C-to-C | Overall | Projection(P) | List Price | Finish |
|---|---|---------|---|---------------|------------|--|
|  | 86332 | 3" | 3 1/2" | 1 1/4" | \$26.00 |  <p>Tumbled White Bronze (TWB) Medium Bronze (MB) Flat Black Bronze (FB)</p> |
| | 86333 | 3 1/2" | 4 1/8" | 1 1/4" | \$28.00 | |
| | 86334 | 4" | 4 1/2" | 1 1/4" | \$30.00 | |
| | 86335 | 6" | 6 1/2" | 1 3/8" | \$45.00 | |
| | 86336 | 8" | 8 1/2" | 1 3/8" | \$48.00 | |
| | 86337 | 10" | 10 1/2" | 1 3/8" | \$62.00 | |
| | <i>Also available in Appliance Pulls:</i> | | | | | |
| 86349 | 12" | 12 3/4" | 2" | \$227.00 | | |
| 86350 | 18" | 18 3/4" | 2" | \$320.00 | | |
| | | |  | | | |

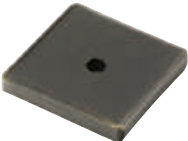
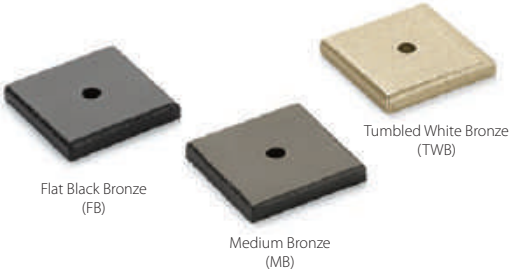
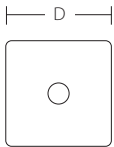
| SANDCAST BRONZE PYRAMID PULL | Product Code | C-to-C | Overall | Projection(P) | List Price | Finish |
|---|--------------|--------|---|---------------|------------|--|
|  | 86328 | 3" | 4 1/2" | 1" | \$30.00 |  <p>Medium Bronze (MB) Flat Black Bronze (FB) Tumbled White Bronze (TWB)</p> |
| | 86329 | 3 1/2" | 5" | 1" | \$34.00 | |
| | 86330 | 4" | 5 1/2" | 1" | \$35.00 | |
| | 86331 | 6" | 7 1/2" | 1 1/8" | \$45.00 | |
| | | |  | | | |



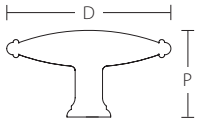
SANDCAST BRONZE



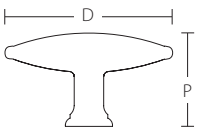
| SANDCAST BRONZE RANCH BIN PULL | Product Code | C-to-C | Overall | Height | Projection(P) | List Price | Finish |
|--|---|--------|---------|--------|---------------|------------|--|
|  | 86326 | 3" | 3 1/2" | 1 5/8" | 1" | \$26.00 |  |
| | 86327 | 4" | 4 5/8" | 1 3/4" | 1" | \$35.00 | |
| |  | | | | | | |



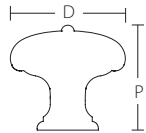
| SANDCAST BRONZE BIN PULL | Product Code | C-to-C | Overall | Height | Projection(P) | List Price | Finish |
|---|--|--------|---------|--------|---------------|------------|---|
|  | 86051 | 3" | 3 3/8" | 1 1/2" | 1" | \$26.00 |  |
| | 86050 | 4" | 4 1/2" | 1 5/8" | 1" | \$35.00 | |
| |  | | | | | | |



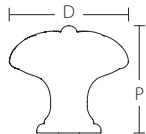
| SANDCAST BRONZE ROUND BACKPLATE FOR KNOB | Product Code | Dimension(D) | Depth | List Price | Finish |
|---|---|--------------|-------|------------|--|
|  | 86341 | 1 1/4" | 1/8" | \$12.00 |  |
| | | | | | |
| |  | | | | |



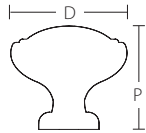
| SANDCAST BRONZE SQUARE BACKPLATE FOR KNOB | Product Code | Dimension(D) | Depth | List Price | Finish |
|---|---|--------------|-------|------------|--|
|  | 86342 | 1 1/4" | 1/8" | \$12.00 |  |
| | | | | | |
| |  | | | | |



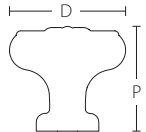
| TUSCANY BRONZE FLUTED T-KNOB | Product Code | Dimension(D) | Projection(P) | List Price | Finish |
|---|---|--------------|---------------|------------|---|
|  | 86227 | 1 3/4" | 1 1/4" | \$24.00 |  Flat Black Bronze (FB) Medium Bronze (MB) |
| | 86228 | 3" | 1 5/8" | \$30.00 | |
| |  | | | | |

| TUSCANY BRONZE TWIST T-KNOB | Product Code | Dimension(D) | Projection(P) | List Price | Finish |
|---|---|--------------|---------------|------------|---|
|  | 86097 | 1 3/4" | 1 1/4" | \$24.00 |  Flat Black Bronze (FB) Medium Bronze (MB) |
| | 86098 | 3" | 1 5/8" | \$30.00 | |
| |  | | | | |



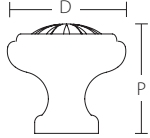
| TUSCANY BRONZE FLUTED ROUND KNOB | Product Code | Dimension(D) | Projection(P) | List Price | Finish |
|--|--|--------------|---------------|------------|---|
|  | 86229 | 1" | 1 1/8" | \$24.00 |  Flat Black Bronze (FB) Medium Bronze (MB) |
| | 86230 | 1 3/8" | 1 1/4" | \$26.00 | |
| | 86231 | 1 7/8" | 1 1/2" | \$38.00 | |
| |  | | | | |



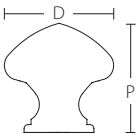
| TUSCANY BRONZE TWIST ROUND KNOB | Product Code | Dimension(D) | Projection(P) | List Price | Finish |
|---|---|--------------|---------------|------------|---|
|  | 86244 | 1" | 1 1/8" | \$24.00 |  Flat Black Bronze (FB) Medium Bronze (MB) |
| | 86245 | 1 1/4" | 1 1/4" | \$26.00 | |
| | 86246 | 1 3/4" | 1 1/2" | \$38.00 | |
| |  | | | | |



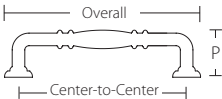
| TUSCANY BRONZE EGG KNOB | Product Code | Dimension(D) | Projection(P) | List Price | Finish |
|---|---|--------------|---------------|------------|---|
|  | 86093 | 1" | 1" | \$24.00 |  Flat Black Bronze (FB) Medium Bronze (MB) |
| | 86094 | 1 1/4" | 1 1/4" | \$26.00 | |
| | 86143 | 1 3/4" | 1 1/2" | \$38.00 | |
| |  | | | | |



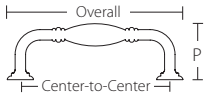
| TUSCANY BRONZE PETAL KNOB | Product Code | Dimension(D) | Projection(P) | List Price | Finish |
|---|---|--------------|---------------|------------|---|
|  | 86095 | 1" | 1" | \$24.00 |  Flat Black Bronze (FB) Medium Bronze (MB) |
| | 86096 | 1 1/4" | 1 1/4" | \$26.00 | |
| | 86214 | 1 3/4" | 1 1/2" | \$38.00 | |
| |  | | | | |



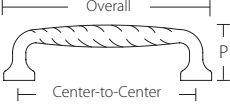
TUSCANY BRONZE



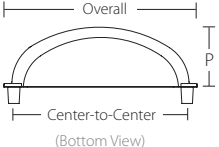
| TUSCANY BRONZE ROUND KNOB | Product Code | Dimension(D) | Projection(P) | List Price | Finish |
|---|--------------|---|---------------|------------|--|
|  | 86091 | 1" | 1" | \$24.00 |  |
| | 86092 | 1 1/4" | 1 1/4" | \$26.00 | |
| | 86116 | 1 3/4" | 1 1/2" | \$38.00 | |
| | |  | | | |



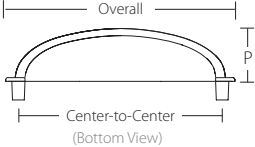
| TUSCANY BRONZE OCTAGON KNOB | Product Code | Dimension(D) | Projection(P) | List Price | Finish |
|---|--------------|---|---------------|------------|--|
|  | 86137 | 1" | 1" | \$24.00 |  |
| | 86138 | 1 1/4" | 1 1/4" | \$26.00 | |
| | 86215 | 1 3/4" | 1 5/8" | \$38.00 | |
| | |  | | | |



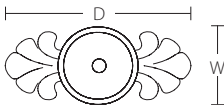
| TUSCANY BRONZE RIBBED PULL | Product Code | C-to-C | Overall | Projection(P) | List Price | Finish |
|--|--------------|---|---------|---------------|------------|--|
|  | 86100 | 3" | 3 5/8" | 1" | \$28.00 |  |
| | 86101 | 3 1/2" | 4 1/8" | 1" | \$34.00 | |
| | 86102 | 4" | 4 5/8" | 1" | \$35.00 | |
| | 86255 | 6" | 6 5/8" | 1" | \$48.00 | |
| | |  | | | | |



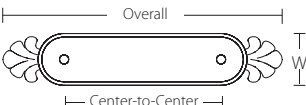
| TUSCANY BRONZE FLUTED PULL | Product Code | C-to-C | Overall | Projection(P) | List Price | Finish |
|--|---|---|---------|---------------|------------|--|
|  | 86218 | 3" | 3 3/4" | 1 1/2" | \$28.00 |  |
| | 86219 | 3 1/2" | 4 1/4" | 1 1/2" | \$34.00 | |
| | 86220 | 4" | 4 3/4" | 1 1/2" | \$35.00 | |
| | 86221 | 6" | 6 3/4" | 1 1/2" | \$48.00 | |
| | 86222 | 8" | 8 3/4" | 1 1/2" | \$60.00 | |
| | 86223 | 10" | 10 3/4" | 1 1/2" | \$81.00 | |
| | <i>Also available in Appliance Pulls:</i> | | | | | |
| 86347 | 12" | 13" | 2" | \$240.00 | | |
| 86348 | 18" | 19" | 2" | \$336.00 | | |
| | |  | | | | |

| TUSCANY BRONZE TWIST PULL | Product Code | C-to-C | Overall | Projection(P) | List Price | Finish |
|---|--------------|--------|---------|---------------|------------|--|
|  | 86103 | 3" | 3 3/4" | 1 1/4" | \$28.00 |  Medium Bronze (MB) Flat Black Bronze (FB) |
| | 86104 | 3 1/2" | 4 1/4" | 1 1/4" | \$34.00 | |
| | 86105 | 4" | 4 3/4" | 1 1/4" | \$35.00 | |
| | 86238 | 6" | 6 3/4" | 1 3/8" | \$48.00 | |
| | 86239 | 8" | 8 3/4" | 1 3/8" | \$60.00 | |
| | 86240 | 10" | 10 3/4" | 1 3/8" | \$81.00 | |
|  | | | | | | |



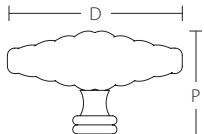
| TUSCANY BRONZE BIN PULL | Product Code | C-to-C | Overall | Height | Projection(P) | List Price | Finish |
|---|--------------|--------|---------|--------|---------------|------------|--|
|  | 86099 | 3" | 3 1/2" | 1 5/8" | 1" | \$36.00 |  Flat Black Bronze (FB) Medium Bronze (MB) |
| | 86199 | 4" | 4 3/8" | 2" | 1" | \$45.00 | |
|  | | | | | | | |



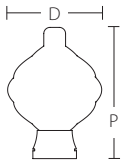
| TUSCANY BRONZE FLUTED BIN PULL | Product Code | C-to-C | Overall | Height | Projection(P) | List Price | Finish |
|---|--------------|--------|---------|--------|---------------|------------|---|
|  | 86232 | 3" | 3 3/8" | 1 3/4" | 1" | \$36.00 |  Flat Black Bronze (FB) Medium Bronze (MB) |
| | 86233 | 4" | 4 3/8" | 1 7/8" | 1" | \$45.00 | |
|  | | | | | | | |



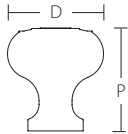
| TUSCANY BRONZE BACKPLATE FOR KNOB | Product Code | Dimension(D) | Width(W) | List Price | Finish |
|---|---|--------------|----------|------------|--|
|  | 86234 | 2 1/4" | 7/8" | \$13.00 |  Flat Black Bronze (FB) Medium Bronze (MB) |
| |  | | | | |



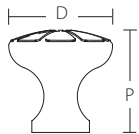
| TUSCANY BRONZE BACKPLATE FOR PULL | Product Code | C-to-C | Overall | Width(W) | List Price | Finish |
|---|--------------|--------|---------|----------|------------|--|
|  | 86235 | 3" | 5 1/4" | 7/8" | \$16.00 |  Flat Black Bronze (FB) Medium Bronze (MB) |
| | 86236 | 3 1/2" | 5 3/4" | 7/8" | \$18.00 | |
| | 86237 | 4" | 6 1/4" | 7/8" | \$21.00 | |
|  | | | | | | |



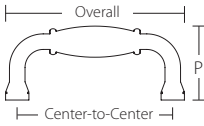
WROUGHT STEEL



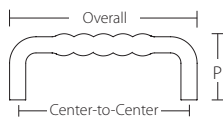
| WROUGHT STEEL BASTOGNE T-KNOB | Product Code | Dimension(D) | Projection(P) | List Price | Finish |
|--|--------------|--------------|---------------|------------|---|
|  | 76017 | 2 3/8" | 1 1/2" | \$14.00 |  Flat Black Steel (FBS) Satin Steel (SWS) |
| | 76018 | 3 3/8" | 2" | \$15.00 | |
| | | | | |  |



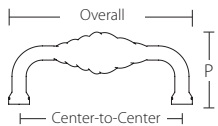
| WROUGHT STEEL FLANDERS KNOB | Product Code | Dimension(D) | Projection(P) | List Price | Finish |
|---|--------------|--------------|---------------|------------|---|
|  | 76011 | 1 1/4" | 2" | \$13.00 |  Flat Black Steel (FBS) Satin Steel (SWS) |
| | 76012 | 1 1/2" | 2 1/8" | \$14.00 | |
| | 76042 | 2" | 2 1/2" | \$18.00 | |
| | | | | |  |


| WROUGHT STEEL BRITTANY KNOB | Product Code | Dimension(D) | Projection(P) | List Price | Finish |
|---|--------------|--------------|---------------|------------|---|
|  | 76015 | 1" | 1 1/8" | \$9.00 |  Flat Black Steel (FBS) Satin Steel (SWS) |
| | 76016 | 1 1/4" | 1 3/8" | \$12.00 | |
| | 76043 | 1 3/4" | 1 3/4" | \$16.00 | |
| | | | | |  |

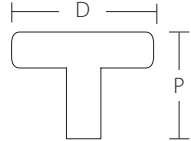
| WROUGHT STEEL PETAL KNOB | Product Code | Dimension(D) | Projection(P) | List Price | Finish |
|--|--------------|--------------|---------------|------------|--|
|  | 76013 | 1" | 1 1/4" | \$9.00 |  Flat Black Steel (FBS) Satin Steel (SWS) |
| | 76014 | 1 1/4" | 1 3/8" | \$12.00 | |
| | 76044 | 1 3/4" | 1 1/2" | \$16.00 | |
| | | | | |  |


| WROUGHT STEEL NORMANDY PULL | Product Code | C-to-C | Overall | Projection(P) | List Price | Finish |
|--|--------------|--------|---------|---------------|------------|---|
|  | 76027 | 3" | 3 1/2" | 1 1/2" | \$12.00 |  Satin Steel (SWS) Flat Black Steel (FBS) |
| | 76023 | 3 1/2" | 4" | 1 1/2" | \$13.00 | |
| | 76024 | 4" | 4 1/2" | 1 1/2" | \$14.00 | |
| | 76046 | 6" | 6 1/2" | 1 1/2" | \$15.00 | |
| | | | | | |  |

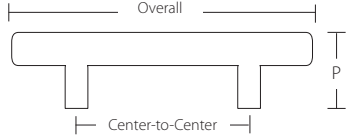
| WROUGHT STEEL SAN CARLOS PULL | Product Code | C-to-C | Overall | Projection(P) | List Price | Finish |
|--|--------------|--------|---------|---------------|------------|---|
|  <small>< Removable Backplate Included</small> | 76026 | 3" | 3 3/4" | 1 1/2" | \$12.00 |  Flat Black Steel (FBS) Satin Steel (SWS) |
| | 76021 | 3 1/2" | 3 3/4" | 1 1/2" | \$13.00 | |
| | 76022 | 4" | 4 1/4" | 1 1/2" | \$14.00 | |
| | 76045 | 6" | 6 1/4" | 1 1/2" | \$15.00 | |
| | | | | | |  |


| WROUGHT STEEL LAFAYETTE PULL | Product Code | C-to-C | Overall | Projection(P) | List Price | Finish |
|--|--------------|--------|---------|---------------|------------|---|
|  | 76025 | 3" | 3 3/8" | 1 1/2" | \$13.00 |  Satin Steel (SWS) Flat Black Steel (FBS) |
| | 76019 | 3 1/2" | 3 7/8" | 1 1/2" | \$14.00 | |
| | 76020 | 4" | 4 3/8" | 1 1/2" | \$15.00 | |
| | 76047 | 6" | 6 3/8" | 1 1/2" | \$16.00 | |
| | | | | | |  |

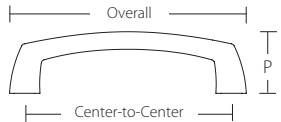
| STAINLESS STEEL BAR T-KNOB | Product Code | Dimension(D) | Projection(P) | List Price |
|---|--------------|--------------|---------------|------------|
|  | S62001SS | 2" | 1 1/4" | \$13.00 |



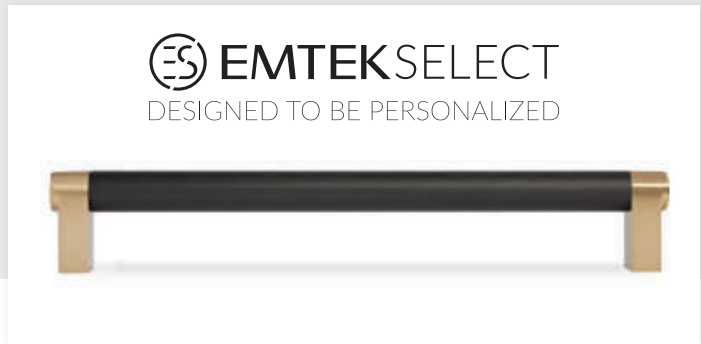
| STAINLESS STEEL BAR PULL | Product Code | C-to-C | Overall | Projection(P) | List Price |
|---|--------------|--------|---------|---------------|------------|
|  | S62002SS | 3" | 5" | 1 1/4" | \$15.00 |
| | S62003SS | 3 1/2" | 5 1/2" | 1 1/4" | \$16.00 |
| | S62004SS | 4" | 6 1/2" | 1 1/4" | \$18.00 |
| | S62005SS | 5" | 7 1/2" | 1 1/4" | \$21.00 |
| | S62006SS | 6" | 8 1/2" | 1 1/4" | \$23.00 |
| | S62007SS | 8" | 10 1/2" | 1 1/4" | \$25.00 |
| | S62008SS | 10" | 12 1/2" | 1 1/4" | \$28.00 |
| | S62009SS | 12" | 14 1/2" | 1 1/4" | \$34.00 |
| | S62010SS | 16" | 18 1/2" | 1 1/4" | \$40.00 |
| | S62011SS | 24" | 26 1/2" | 1 1/4" | \$50.00 |
| | S62012SS | 28" | 30 1/2" | 1 1/4" | \$56.00 |
| | S62013SS | 32" | 34 1/2" | 1 1/4" | \$62.00 |
| | S62014SS | 36" | 38 1/2" | 1 1/4" | \$68.00 |







| STAINLESS STEEL DELTA PULL | Product Code | C-to-C | Overall | Projection(P) | List Price |
|---|--------------|--------|---------|---------------|------------|
|  | S60030SS | 3" | 3 1/2" | 1" | \$30.00 |
| | S60035SS | 3 1/2" | 4" | 1" | \$34.00 |
| | S60040SS | 4" | 4 1/2" | 1" | \$35.00 |



SELECT APPLIANCE PULL



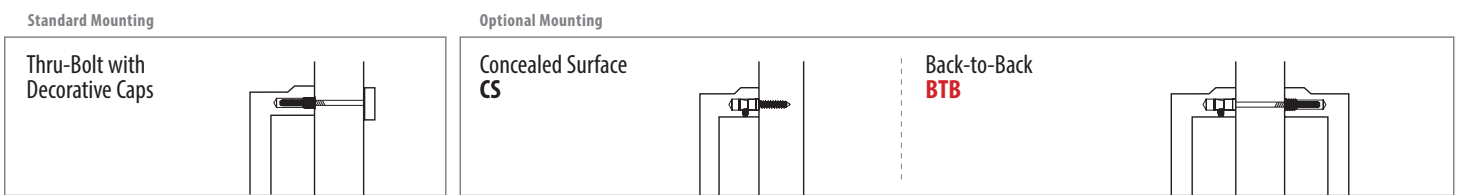
| SELECT APPLIANCE PULL | | | | | | | | Stem | Pull | |
|---|--------------|--------|---------|----------|---------------|------|------------|-------------------------|--|---|
| Optional Mounting | Product Code | C-to-C | Overall | Width(W) | Projection(P) | Stem | List Price | Back-to-Back List Price | | |
| CS or BTB | 84070 | 12" | 13" | 7/8" | 2 1/8" | 2 | \$207.00 | \$414.00 |  RECTANGULAR (REC) |  KNURLED (KN) |
| CS or BTB | 84071 | 18" | 19" | 7/8" | 2 1/8" | 2 | \$302.00 | \$604.00 | | |
| CS or BTB | 84072 | 24" | 25" | 7/8" | 2 1/8" | 3 | \$333.00 | \$666.00 | | |
| CS or BTB | 84073 | 36" | 37" | 7/8" | 2 1/8" | 3 | \$367.00 | \$734.00 | | |
| CS or BTB | 84074 | 54" | 55" | 7/8" | 2 1/8" | 4 | \$474.00 | \$948.00 | | |
|  | | | | | | | | | |  SMOOTH (SM) |

| FINISH OPTIONS FOR STEM AND PULL | | | | | | | STEM AND PULL WILL BE PERMANENTLY AFFIXED. | | | | | | |
|---|---|---|---|---|---|---|--|---------------------------|------------------------|---------------------|-------------------|------------------------|--------------------|
|  |  |  |  |  |  |  | Satin Brass (US4) | Oil Rubbed Bronze (US10B) | Polished Nickel (US14) | Satin Nickel (US15) | Flat Black (US19) | Polished Chrome (US26) | Satin Copper (SCU) |

To order: **CS/BTB 84070** + **RECUS4** + **KNUS19**

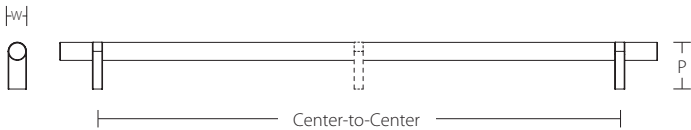
Optional Mounting or Leave Blank for Standard Mounting Product Code (Center-to-Center) + Stem (Style/Finish) + Pull (Style/Finish)

Product Name: SELECT Cabinet Appliance Pull 12" C-to-C + Rectangular Stem Satin Brass (US4) + Knurled Pull Flat Black (US19)





| SELECT BAR APPLIANCE PULL | | | | | | | | Stem | Pull | |
|---------------------------|--------------|--------|---------|----------|---------------|------|------------|-------------------------|------|--|
| Optional Mounting | Product Code | C-to-C | Overall | Width(W) | Projection(P) | Stem | List Price | Back-to-Back List Price | | |
| CS or BTB | 84170 | 12" | 15 1/8" | 7/8" | 2 1/8" | 2 | \$218.00 | \$436.00 | | |
| CS or BTB | 84171 | 18" | 21 1/8" | 7/8" | 2 1/8" | 2 | \$317.00 | \$634.00 | | |
| CS or BTB | 84172 | 24" | 27 1/8" | 7/8" | 2 1/8" | 3 | \$350.00 | \$700.00 | | |
| CS or BTB | 84173 | 36" | 39 1/8" | 7/8" | 2 1/8" | 3 | \$385.00 | \$770.00 | | |
| CS or BTB | 84174 | 54" | 57 1/8" | 7/8" | 2 1/8" | 4 | \$496.00 | \$992.00 | | |

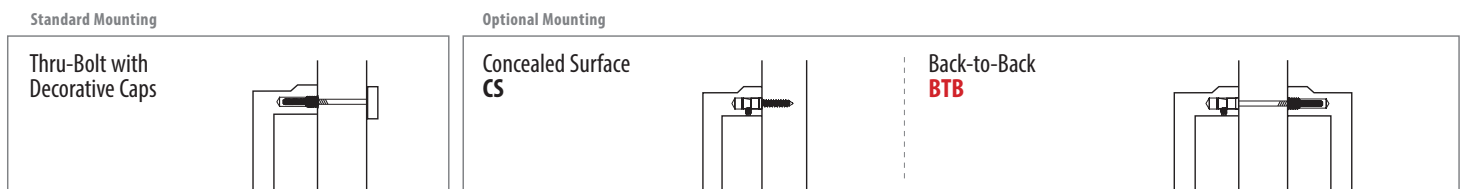


| FINISH OPTIONS FOR STEM AND PULL | | | | | | | STEM AND PULL WILL BE PERMANENTLY AFFIXED. | |
|----------------------------------|---------------------------|------------------------|---------------------|-------------------|------------------------|--------------------|--|--|
| | | | | | | | | |
| Satin Brass (US4) | Oil Rubbed Bronze (US10B) | Polished Nickel (US14) | Satin Nickel (US15) | Flat Black (US19) | Polished Chrome (US26) | Satin Copper (SCU) | | |








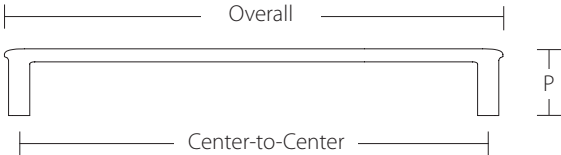
To order: **CS/BTB 84170** . **RCBUS4** . **KNUS19**








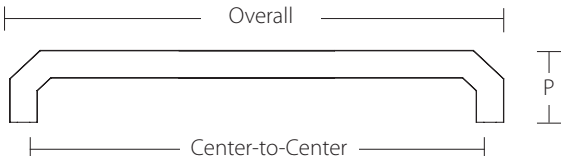
Optional Mounting or Leave Blank for Standard Mounting Product Code (Center-to-Center) + Stem (Style/Finish) + Pull (Style/Finish)








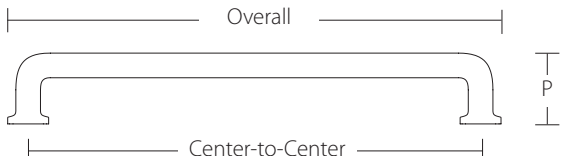
Product Name:
SELECT Bar Cabinet Appliance Pull 12"C-to-C + Rectangular Bar Stem Satin Brass (US4) + Knurled Pull Flat Black (US19)








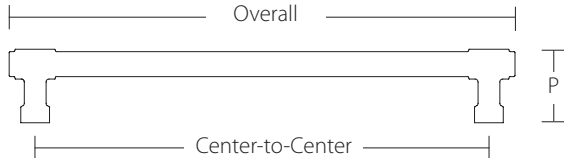









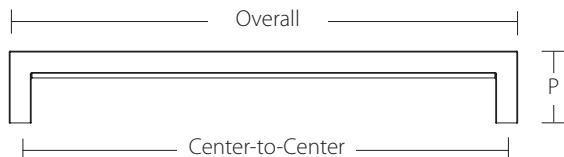
APPLIANCE PULLS








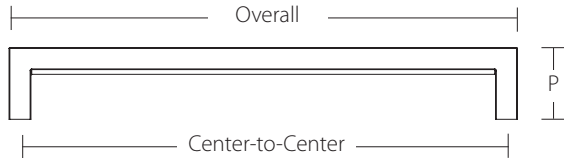
| HABITAT APPLIANCE PULL | | Optional Mounting | Product Code | C-to-C | Overall | Width | Projection(P) | List Price | Back-to-Back List Price | Finish |
|---|------------------|-------------------|--------------|---------|---------|--------|---------------|---------------------|-------------------------|---|
|  | CS or BTB | 86628 | 12" | 12 3/4" | 1" | 1 1/2" | \$207.00 | \$414.00 | |  Satin Brass (US4)  Oil Rubbed Bronze (US10B)  Polished Nickel (US14)  Satin Nickel (US15)  Flat Black (US19)  Polished Chrome (US26) |
| | CS or BTB | 86629 | 18" | 18 3/4" | 1" | 1 1/2" | \$302.00 | \$604.00 | | |
|  | | | | | | | | | | |

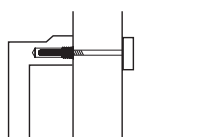
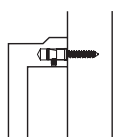
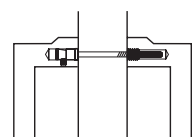
| RIVIERA APPLIANCE PULL | | Optional Mounting | Product Code | C-to-C | Overall | Width | Projection(P) | List Price | Back-to-Back List Price | Finish |
|---|------------------|-------------------|--------------|---------|---------|-------|---------------|---------------------|-------------------------|---|
|  | CS or BTB | 86621 | 12" | 12 7/8" | 1/2" | 2" | \$207.00 | \$414.00 | |  Satin Brass (US4)  Oil Rubbed Bronze (US10B)  Polished Nickel (US14)  Satin Nickel (US15)  Flat Black (US19)  Polished Chrome (US26) |
| | CS or BTB | 86622 | 18" | 18 7/8" | 1/2" | 2" | \$302.00 | \$604.00 | | |
|  | | | | | | | | | | |

| WESTRIDGE APPLIANCE PULL | | Optional Mounting | Product Code | C-to-C | Overall | Width | Projection(P) | List Price | Back-to-Back List Price | Finish |
|---|------------------|-------------------|--------------|---------|---------|-------|---------------|---------------------|-------------------------|---|
|  | CS or BTB | 86640 | 12" | 13 1/8" | 5/8" | 2" | \$207.00 | \$414.00 | |  Satin Brass (US4)  Oil Rubbed Bronze (US10B)  Polished Nickel (US14)  Satin Nickel (US15)  Flat Black (US19)  Polished Chrome (US26) |
| | CS or BTB | 86641 | 18" | 19 1/8" | 5/8" | 2" | \$302.00 | \$604.00 | | |
|  | | | | | | | | | | |








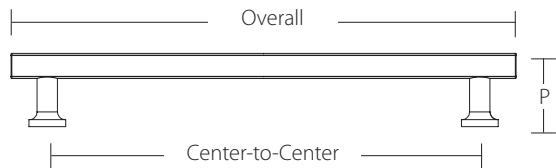
| JASPER APPLIANCE PULL | | Optional Mounting | Product Code | C-to-C | Overall | Width | Projection(P) | List Price | Back-to-Back List Price | Finish |
|--|------------------|-------------------|--------------|---------|---------|--------|---------------|-----------------|---|--------|
|  | CS or BTB | 86693 | 12" | 13 3/8" | 3/4" | 1 7/8" | \$207.00 | \$414.00 |  Satin Brass (US4)  Oil Rubbed Bronze (US10B)  Polished Nickel (US14)  Satin Nickel (US15)  Flat Black (US19)  Polished Chrome (US26) | |
| | CS or BTB | 86694 | 18" | 19 3/8" | 3/4" | 1 7/8" | \$302.00 | \$604.00 | | |
|  | | | | | | | | | | |



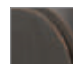




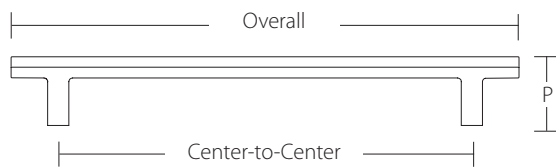
| WARWICK APPLIANCE PULL | | Optional Mounting | Product Code | C-to-C | Overall | Width | Projection(P) | List Price | Back-to-Back List Price | Finish |
|---|------------------|-------------------|--------------|---------|---------|--------|---------------|-----------------|--|--------|
|  | CS or BTB | 86711 | 12" | 12 1/2" | 1/2" | 1 3/4" | \$207.00 | \$414.00 |  Satin Brass (US4)  Oil Rubbed Bronze (US10B)  Polished Nickel (US14)  Satin Nickel (US15)  Flat Black (US19)  Polished Chrome (US26) | |
| | CS or BTB | 86712 | 18" | 18 1/2" | 1/2" | 1 3/4" | \$302.00 | \$604.00 | | |
|  | | | | | | | | | | |








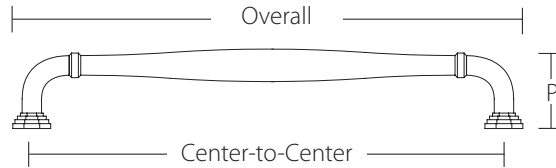
| KEATON APPLIANCE PULL | | Optional Mounting | Product Code | C-to-C | Overall | Width | Projection(P) | List Price | Back-to-Back List Price | Finish |
|--|------------------|-------------------|--------------|---------|---------|--------|---------------|-----------------|---|--------|
|  | CS or BTB | 86721 | 12" | 12 1/2" | 1" | 1 3/4" | \$207.00 | \$414.00 |  Satin Brass (US4)  Oil Rubbed Bronze (US10B)  Polished Nickel (US14)  Satin Nickel (US15)  Flat Black (US19)  Polished Chrome (US26) | |
| | CS or BTB | 86722 | 18" | 18 1/2" | 1" | 1 3/4" | \$302.00 | \$604.00 | | |
|  | | | | | | | | | | |





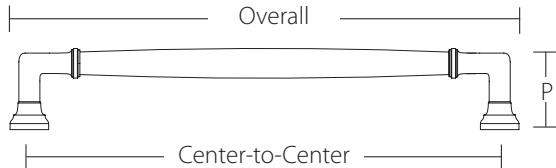
| | | |
|--|--|--|
| <p>Standard Mounting</p> <p>Thru-Bolt with Decorative Caps</p>  | <p>Optional Mounting</p> <p>Concealed Surface CS</p>  | <p>Optional Mounting</p> <p>Back-to-Back BTB</p>  |
|--|--|--|





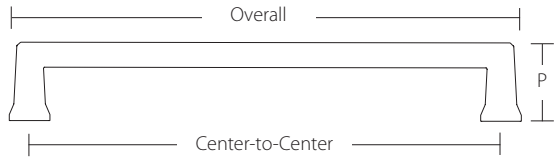
APPLIANCE PULLS





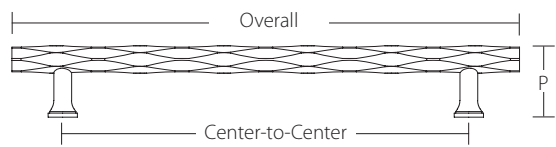
| FREESTONE APPLIANCE PULL | | Optional Mounting | Product Code | C-to-C | Overall | Width | Projection(P) | List Price | Back-to-Back List Price | Finish |
|---|------------------|-------------------|--------------|--------|---------|-------|---------------|------------|--|--------|
|  | CS or BTB | 87001 | 12" | 14" | 5/8" | 2" | \$207.00 | \$414.00 |  Satin Brass (US4)  Oil Rubbed Bronze (US10B)  Polished Nickel (US14)  Satin Nickel (US15)  Flat Black (US19)  Polished Chrome (US26) | |
| | CS or BTB | 87002 | 18" | 20" | 5/8" | 2" | \$302.00 | \$604.00 | | |
|  | | | | | | | | | | |

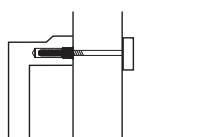
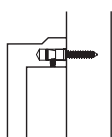
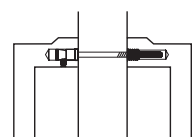
| MOD HEX APPLIANCE PULL | | Optional Mounting | Product Code | C-to-C | Overall | Width | Projection(P) | List Price | Back-to-Back List Price | Finish |
|---|------------------|-------------------|--------------|---------|---------|--------|---------------|------------|--|--------|
|  | CS or BTB | 87003 | 12" | 14 3/4" | 5/8" | 2" | \$207.00 | \$414.00 |  Satin Brass (US4)  Oil Rubbed Bronze (US10B)  Polished Nickel (US14)  Satin Nickel (US15)  Flat Black (US19)  Polished Chrome (US26) | |
| | CS or BTB | 87004 | 18" | 20 5/8" | 5/8" | 2 1/8" | \$302.00 | \$604.00 | | |
|  | | | | | | | | | | |

| BLYTHE APPLIANCE PULL | | Optional Mounting | Product Code | C-to-C | Overall | Width | Projection(P) | List Price | Back-to-Back List Price | Finish |
|---|------------------|-------------------|--------------|--------|---------|-------|---------------|------------|--|--------|
|  | CS or BTB | 86910 | 12" | 13" | 5/8" | 2" | \$207.00 | \$414.00 |  Satin Brass (US4)  Oil Rubbed Bronze (US10B)  Polished Nickel (US14)  Satin Nickel (US15)  Flat Black (US19)  Polished Chrome (US26) | |
| | CS or BTB | 86911 | 18" | 19" | 5/8" | 2" | \$302.00 | \$604.00 | | |
|  | | | | | | | | | | |

| WESTWOOD APPLIANCE PULL | | Optional Mounting | Product Code | C-to-C | Overall | Width | Projection(P) | List Price | Back-to-Back List Price | Finish |
|--|------------------|-------------------|--------------|--------|---------|--------|---------------|------------|--|--------|
|  | CS or BTB | 86912 | 12" | 13" | 3/4" | 2 1/8" | \$207.00 | \$414.00 |  Satin Brass (US4)  Oil Rubbed Bronze (US10B)  Polished Nickel (US14) | |
| | CS or BTB | 86913 | 18" | 19" | 3/4" | 2 1/8" | \$302.00 | \$604.00 | | |
|  | | | | | | | | | | |


| ALEXANDER APPLIANCE PULL | | Optional Mounting | Product Code | C-to-C | Overall | Width | Projection(P) | List Price | Back-to-Back List Price | Finish |
|---|------------------|-------------------|--------------|--------|---------|-------|---------------|------------|--|--------|
|  | CS or BTB | 86442 | 12" | 13" | 1/2" | 2" | \$207.00 | \$414.00 |  Satin Brass (US4)  Oil Rubbed Bronze (US10B)  Polished Nickel (US14) | |
| | CS or BTB | 86443 | 18" | 19" | 1/2" | 2" | \$302.00 | \$604.00 | | |
|  | | | | | | | | | | |


| TRIBECA APPLIANCE PULL | | Optional Mounting | Product Code | C-to-C | Overall | Width | Projection(P) | List Price | Back-to-Back List Price | Finish |
|--|------------------|-------------------|--------------|--------|---------|--------|---------------|------------|--|--------|
|  | CS or BTB | 87005 | 12" | 15" | 3/4" | 2 1/8" | \$207.00 | \$414.00 |  Satin Brass (US4)  Oil Rubbed Bronze (US10B)  Polished Nickel (US14) | |
| | CS or BTB | 87006 | 18" | 21" | 3/4" | 2 1/8" | \$302.00 | \$604.00 | | |
|  | | | | | | | | | | |

| Standard Mounting | Optional Mounting |
|--|--|
| Thru-Bolt with Decorative Caps  | Concealed Surface CS  |
| Back-to-Back BTB  | |

APPLIANCE PULLS

| TRINITY APPLIANCE PULL | Optional Mounting | Product Code | C-to-C | Overall | Width | Projection(P) | List Price | Back-to-Back List Price | Finish |
|------------------------|-------------------|--------------|---------|---------|--------|---------------|------------|-------------------------|--------|
| | CS or BTB | 86444 | 12" | 12 7/8" | 7/8" | 1 3/4" | \$207.00 | \$414.00 | |
| CS or BTB | 86445 | 18" | 19 1/8" | 7/8" | 1 3/4" | \$302.00 | \$604.00 | | |






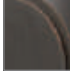
Overall

Center-to-Center


P




Satin Brass (US4)




Oil Rubbed Bronze (US10B)




Polished Nickel (US14)



Satin Nickel (US15)





Flat Black (US19)



Polished Chrome (US26)

| BAUHAUS APPLIANCE PULL | Optional Mounting | Product Code | C-to-C | Overall | Width | Projection(P) | List Price | Back-to-Back List Price | Finish |
|------------------------|-------------------|--------------|---------|---------|--------|---------------|------------|-------------------------|--------|
| | CS or BTB | 86345 | 12" | 12 5/8" | 1" | 1 7/8" | \$207.00 | \$414.00 | |
| CS or BTB | 86346 | 18" | 18 5/8" | 1" | 1 7/8" | \$302.00 | \$604.00 | | |







Overall

Center-to-Center


P




Satin Brass (US4)




Oil Rubbed Bronze (US10B)




Polished Nickel (US14)



Satin Nickel (US15)




Flat Black (US19)




Polished Chrome (US26)

Unlacquered Brass (US3NL) finish available for a **\$10.00 List Price** upcharge per Appliance Pull and Back-to-Back pulls are available for a **\$20.00 List Price** upcharge per pair.

| TRAIL APPLIANCE PULL | Optional Mounting | Product Code | C-to-C | Overall | Width | Projection(P) | List Price | Back-to-Back List Price | Finish |
|----------------------|-------------------|--------------|--------|---------|-------|---------------|------------|-------------------------|--------|
| | CS or BTB | 86440 | 12" | 13" | 7/8" | 2" | \$207.00 | \$414.00 | |
| CS or BTB | 86441 | 18" | 19" | 7/8" | 2" | \$302.00 | \$604.00 | | |







Overall

Center-to-Center


P




Satin Brass (US4)




Oil Rubbed Bronze (US10B)




Polished Nickel (US14)



Satin Nickel (US15)





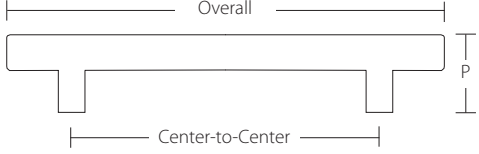






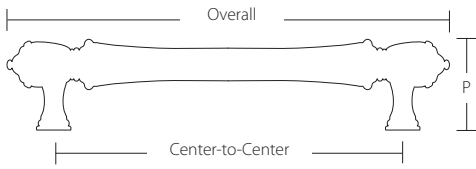
Flat Black (US19)

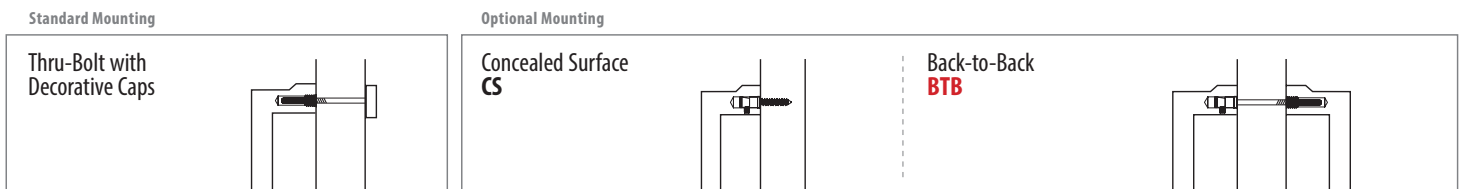


Polished Chrome (US26)

Unlacquered Brass (US3NL) finish available for a **\$10.00 List Price** upcharge per Appliance Pull and Back-to-Back pulls are available for a **\$20.00 List Price** upcharge per pair.


| BAR APPLIANCE PULL | | Optional Mounting | Product Code | C-to-C | Overall | Width | Projection(P) | List Price | Back-to-Back List Price | Finish |
|--|------------------|-------------------|--------------|---------|---------|-------|---------------|------------|--|--------|
|  | CS or BTB | 86351 | 12" | 15 1/4" | 7/8" | 2" | \$207.00 | \$414.00 |  Satin Brass (US4)  Oil Rubbed Bronze (US10B)  Polished Nickel (US14) | |
| | CS or BTB | 86352 | 18" | 21 1/4" | 7/8" | 2" | \$302.00 | \$604.00 | | |
|  | | | | | | | | | | |
| <p>Unlacquered Brass (US3NL) finish available for a \$10.00 List Price upcharge per Appliance Pull and Back-to-Back pulls are available for a \$20.00 List Price upcharge per pair.</p> | | | | | | | | | | |

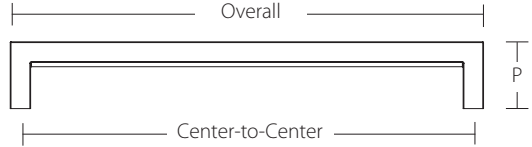
| SPINDLE APPLIANCE PULL | | Optional Mounting | Product Code | C-to-C | Overall | Width | Projection(P) | List Price | Back-to-Back List Price | Finish |
|--|------------------|-------------------|--------------|---------|---------|--------|---------------|------------|---|--------|
|  | CS or BTB | 86343 | 12" | 14 5/8" | 7/8" | 2 1/8" | \$207.00 | \$414.00 |  Polished Brass (US3)  French Antique (US7)  Oil Rubbed Bronze (US10B) | |
| | CS or BTB | 86344 | 18" | 20 5/8" | 7/8" | 2 1/8" | \$302.00 | \$604.00 | | |
|  | | | | | | | | | | |
| <p>Unlacquered Brass (US3NL) finish available for a \$10.00 List Price upcharge per Appliance Pull and Back-to-Back pulls are available for a \$20.00 List Price upcharge per pair.</p> | | | | | | | | | | |




APPLIANCE PULLS


| RUSTIC MODERN RECTANGULAR APPLIANCE PULL | Optional Mounting | Product Code | C-to-C | Overall | Width | Projection(P) | List Price | Back-to-Back List Price | Finish |
|--|-------------------------|--------------|---------|---------|--------|---------------|------------|-------------------------|--------|
| | CS or BTB | 86674 | 12" | 12 5/8" | 7/8" | 1 3/4" | \$227.00 | \$454.00 | |
| CS or BTB | 86675 | 18" | 18 5/8" | 7/8" | 1 3/4" | \$320.00 | \$640.00 | | |

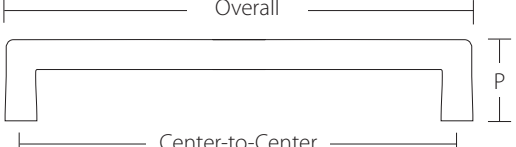








| SANDCAST BRONZE RAIL APPLIANCE PULL | Optional Mounting | Product Code | C-to-C | Overall | Width | Projection(P) | List Price | Back-to-Back List Price | Finish |
|-------------------------------------|-------------------------|--------------|---------|---------|-------|---------------|------------|-------------------------|--------|
| | CS or BTB | 86349 | 12" | 12 3/4" | 7/8" | 2" | \$227.00 | \$454.00 | |
| CS or BTB | 86350 | 18" | 18 3/4" | 7/8" | 2" | \$320.00 | \$640.00 | | |

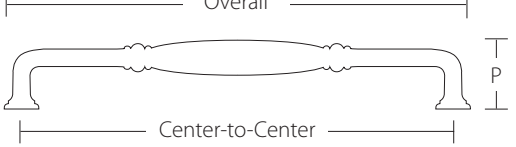





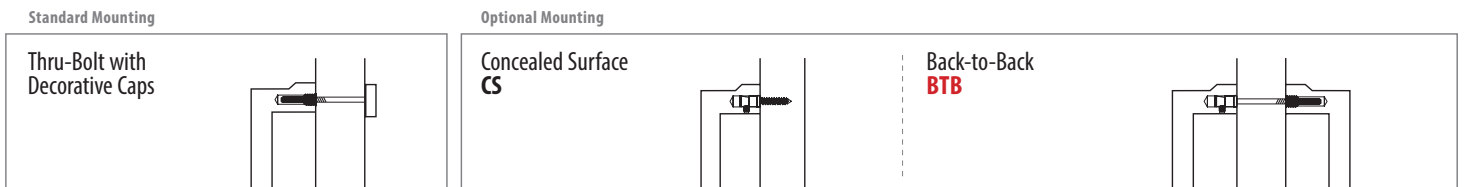


| TUSCANY BRONZE FLUTED APPLIANCE PULL | Optional Mounting | Product Code | C-to-C | Overall | Width | Projection(P) | List Price | Back-to-Back List Price | Finish |
|--------------------------------------|-------------------------|--------------|---------|---------|-------|---------------|------------|-------------------------|--------|
| | CS or BTB | 86347 | 12" | 12 7/8" | 5/8" | 2" | \$240.00 | \$480.00 | |
| CS or BTB | 86348 | 18" | 18 7/8" | 5/8" | 2" | \$336.00 | \$672.00 | | |









| MODERN BRASS TOWEL BAR | Product Code | Width | List Price |
|---|--------------|-------|------------|
|  | 28024 | 12" | \$184.00 |
| | 28021 | 18" | \$197.00 |
| | 28022 | 24" | \$210.00 |
| | 28023 | 30" | \$237.00 |

| MODERN BRASS TOWEL RING | Product Code | Overall | List Price |
|--|--------------|---------|------------|
|  | 2801 | 6 1/2" | \$130.00 |

| MODERN BRASS PAPER HOLDER - BAR STYLE | Product Code | Projection | List Price |
|---|--------------|------------|------------|
|  | 2804 | 2 7/8" | \$91.00 |

| MODERN BRASS DOUBLE HOOK WITH ROSETTE | Product Code | Projection | List Price |
|---|--------------|------------|------------|
|  | 2809 | 2 7/8" | \$62.00 |

| Rosette |
|--|
|  Disk (09) |
|  Square (10) |
|  Neos (11) |
|  Modern Rectangular (12) |
|  Urban Modern (16) |
|  Small Disc (00) |


| Finish | |
|--|--|
|  Satin Brass (US4) |  Oil Rubbed Bronze (US10B) |
|  Polished Nickel - Lifetime (US14) |  Satin Nickel (US15) |
|  Flat Black (US19) |  Polished Chrome (US26) |

Unlacquered Brass (US3NL) finish available for a **\$20.00 List Price** upcharge per item. Hook is available for a **\$10.00 List Price** upcharge per item.

Modern Brass Bath Hardware may also be ordered with any Brass rosette at the list price shown above.

TRANSITIONAL BRASS BATH HARDWARE

| TRANSITIONAL BRASS TOWEL BAR | Product Code | Width | List Price |
|---|--------------|-------|------------|
|  | 29025 | 12" | \$127.00 |
| | 29026 | 18" | \$132.00 |
| | 29027 | 24" | \$143.00 |
| | 29028 | 30" | \$164.00 |







| TRANSITIONAL BRASS TOWEL RING | Product Code | Overall | List Price |
|--|--------------|---------|------------|
|  | 2901 | 7" | \$117.00 |

| TRANSITIONAL BRASS PAPER HOLDER - BAR STYLE | Product Code | Projection | List Price |
|---|--------------|------------|------------|
|  | 2904 | 3 3/8" | \$87.00 |

| TRANSITIONAL BRASS SINGLE HOOK WITH ROSETTE | Product Code | Projection | List Price |
|---|--------------|------------|------------|
|  | 2909 | 2 7/8" | \$50.00 |

Transitional Brass Bath Hardware may also be ordered with any Brass rosette at the list price shown above.

| Rosette | |
|--|---|
|  Regular (0) |  Oval (2) |
|  Rectangular (3) |  #8 (8) |
|  Wilshire (61) |  Quincy (31) |
|  Disk (09) |  Square (10) |
|  Watford (22) |  Modern Rectangular (12) |
|  Small Disc (00) |  Small Regular (20) |


| Finish | |
|--|--|
|  Satin Brass (US4) |  Oil Rubbed Bronze (US10B) |
|  Polished Nickel - Lifetime (US14) |  Satin Nickel (US15) |
|  Flat Black (US19) |  Polished Chrome (US26) |

Unlacquered Brass (US3NL) finish available for a \$20.00 List Price upcharge per item. Hook is available for a \$10.00 List Price upcharge per item.









TRADITIONAL BRASS BATH HARDWARE

| TRADITIONAL BRASS DOUBLE TOWEL BAR | Product Code | Width | List Price |
|---|--------------|-------|------------|
|  | 26031 | 18" | \$207.00 |
| | 26032 | 24" | \$219.00 |
| | 26033 | 30" | \$243.00 |

| TRADITIONAL BRASS TOWEL BAR | Product Code | Width | List Price |
|---|--------------|-------|------------|
|  | 26024 | 12" | \$101.00 |
| | 26021 | 18" | \$106.00 |
| | 26022 | 24" | \$112.00 |
| | 26023 | 30" | \$127.00 |

| TRADITIONAL BRASS TOWEL RING | Product Code | Overall | List Price |
|---|--------------|---------|------------|
|  | 2601 | 6 7/8" | \$81.00 |

| Rosette | |
|---|--|
|  Regular (0) |  Watford (22) |
|  Oval (2) |  Rope** (1) |
|  Lancaster** (06) |  Rectangular (3) |
|  #8 (8) |  Ribbon & Reed** (7) |
|  Quincy (31) |  Arts & Crafts Rectangular † (05) |
|  Small Regular (20) |  Wilshire (61) |

| Finish | |
|--|--|
|  Polished Brass - Lifetime (US3) |  French Antique (US7) |
|  Oil Rubbed Bronze (US10B) |  Polished Nickel - Lifetime (US14) |
|  Satin Nickel (US15) |  Pewter (US15A) |
|  Flat Black (US19) |  Polished Chrome (US26) |

Unlacquered Brass (US3NL) finish available for a \$20.00 List Price upcharge per item.


Traditional Brass Bath Hardware may also be ordered with any Modern rosette at the list price shown above.

** Not Available in Polished Nickel - Lifetime (US14) and Flat Black (US19).
 † Arts & Crafts Rosette available in Oil Rubbed Bronze (US10B), Satin Nickel (US15) and Flat Black (US19) only.

TRADITIONAL BRASS BATH HARDWARE

| TRADITIONAL BRASS PAPER HOLDER - BAR STYLE | Product Code | Projection | List Price |
|---|--------------|------------|------------|
|  | 2604 | 3 3/8" | \$81.00 |

| TRADITIONAL BRASS PAPER HOLDER - SPRING ROD STYLE | Product Code | Projection | List Price |
|---|--------------|------------|------------|
|  | 2605 | 3 3/8" | \$81.00 |

| TRADITIONAL BRASS SINGLE HOOK WITH ROSETTE | Product Code | Projection | List Price |
|---|--------------|------------|------------|
|  | 2608 | 3 1/2" | \$42.00 |









| TRADITIONAL BRASS DOUBLE HOOK WITH ROSETTE | Product Code | Projection | List Price |
|---|--------------|------------|------------|
|  | 2609 | 2 7/8" | \$45.00 |

Traditional Brass Bath Hardware may also be ordered with any Modern rosette at the list price shown above.

** Not Available in Polished Nickel - Lifetime (US14) and Flat Black (US19).











† Arts & Crafts Rosette available in Oil Rubbed Bronze (US10B), Satin Nickel (US15) and Flat Black (US19) only.










| Rosette | |
|---|--|
|  Regular (0) |  Watford (22) |
|  Oval (2) |  Rope** (1) |
|  Lancaster** (06) |  Rectangular (3) |
|  #8 (8) |  Ribbon & Reed** (7) |
|  Quincy (31) |  Arts & Crafts Rectangular † (05) |
|  Small Regular (20) |  Wilshire (61) |

| Finish | |
|--|--|
|  Polished Brass - Lifetime (US3) |  French Antique (US7) |
|  Oil Rubbed Bronze (US10B) |  Polished Nickel - Lifetime (US14) |
|  Satin Nickel (US15) |  Pewter (US15A) |
|  Flat Black (US19) |  Polished Chrome (US26) |

Unlacquered Brass (US3NL) finish available for a **\$20.00 List Price** upcharge per item. Hook is available for a **\$10.00 List Price** upcharge per item.

TRADITIONAL BRASS BATH HARDWARE

| TRADITIONAL BRASS ROBE HOOK | Product Code | Projection | List Price | Finish |
|---|--------------|----------------------|------------|---|
|  | 2606 | Upper Hook 2 5/8" | \$26.00 | <div style="display: flex; flex-wrap: wrap; justify-content: space-around;"> <div style="text-align: center; width: 20%;">  <p>Polished Brass - Lifetime (US3)</p> </div> <div style="text-align: center; width: 20%;">  <p>Satin Brass (US4)</p> </div> <div style="text-align: center; width: 20%;">  <p>French Antique (US7)</p> </div> <div style="text-align: center; width: 20%;">  <p>Oil Rubbed Bronze (US10B)</p> </div> <div style="text-align: center; width: 20%;">  <p>Polished Nickel - Lifetime (US14)</p> </div> <div style="text-align: center; width: 20%;">  <p>Satin Nickel (US15)</p> </div> <div style="text-align: center; width: 20%;">  <p>Pewter (US15A)</p> </div> <div style="text-align: center; width: 20%;">  <p>Flat Black (US19)</p> </div> <div style="text-align: center; width: 20%;">  <p>Polished Chrome (US26)</p> </div> </div> <p style="font-size: small; margin-top: 10px;">Unlacquered Brass (US3NL) finish available for a \$10.00 List Price upcharge per item.</p> |

| TRADITIONAL BRASS DOUBLE HOOK | Product Code | Projection | List Price | Finish |
|--|--------------|------------|------------|--|
|  | 2607 | 2 1/2" | \$26.00 | <div style="display: flex; flex-wrap: wrap; justify-content: space-around;"> <div style="text-align: center; width: 20%;">  <p>Polished Brass - Lifetime (US3)</p> </div> <div style="text-align: center; width: 20%;">  <p>French Antique (US7)</p> </div> <div style="text-align: center; width: 20%;">  <p>Oil Rubbed Bronze (US10B)</p> </div> <div style="text-align: center; width: 20%;">  <p>Polished Nickel - Lifetime (US14)</p> </div> <div style="text-align: center; width: 20%;">  <p>Satin Nickel (US15)</p> </div> <div style="text-align: center; width: 20%;">  <p>Pewter (US15A)</p> </div> <div style="text-align: center; width: 20%;">  <p>Flat Black (US19)</p> </div> <div style="text-align: center; width: 20%;">  <p>Polished Chrome (US26)</p> </div> </div> <p style="font-size: small; margin-top: 10px;">Unlacquered Brass (US3NL) finish available for a \$10.00 List Price upcharge per item.</p> |

SANDCAST BRONZE BATH HARDWARE

SANDCAST BRONZE DOUBLE TOWEL BAR



| Product Code | Width | List Price |
|--------------|-------|------------|
| 23051 | 18" | \$229.00 |
| 23052 | 24" | \$247.00 |
| 23053 | 30" | \$273.00 |

SANDCAST BRONZE TOWEL BAR



| Product Code | Width | List Price |
|--------------|-------|------------|
| 23024 | 12" | \$134.00 |
| 23021 | 18" | \$143.00 |
| 23022 | 24" | \$147.00 |
| 23023 | 30" | \$166.00 |

SANDCAST BRONZE TOWEL RING



| Product Code | Width | List Price |
|--------------|--------|------------|
| 2301 | 6 1/2" | \$152.00 |

SANDCAST BRONZE PAPER HOLDER - BAR STYLE



| Product Code | Projection | List Price |
|--------------|------------|------------|
| 2303 | 3" | \$120.00 |

SANDCAST BRONZE PAPER HOLDER - SPRING ROD STYLE



| Product Code | Projection | List Price |
|--------------|------------|------------|
| 2304 | 3" | \$120.00 |

SANDCAST BRONZE SINGLE HOOK WITH ROSETTE



| Product Code | Projection | List Price |
|--------------|------------|------------|
| 2308 | 2 3/4" | \$45.00 |

Rosette



#1



#2



#3



#4



#6

Finish



Flat Black Bronze (FB)











Medium Bronze (MB)







Tumbled White Bronze (TWB)

SANDCAST BRONZE BATH HARDWARE


| SANDCAST BRONZE DOUBLE HOOK | Product Code | Projection | List Price | Finish |
|---|--------------|------------|------------|---|
|  | 2306 | 2 1/8" | \$34.00 |  Flat Black Bronze (FB)  Tumbled White Bronze (TWB)  Medium Bronze (MB) |

| SANDCAST BRONZE ROBE HOOK | Product Code | Projection | List Price | Finish |
|--|--------------|----------------------|------------|---|
|  | 86106 | Upper Hook 2 1/2" | \$34.00 |  Flat Black Bronze (FB)  Medium Bronze (MB)  Tumbled White Bronze (TWB) |


| SANDCAST BRONZE 3 HOOKS WITH RECTANGULAR PLATE | Product Code | Width | List Price | Finish |
|---|--------------|--------|------------|--|
|  | 2307 | 9 1/2" | \$101.00 |  Flat Black Bronze (FB)  Medium Bronze (MB)  Tumbled White Bronze (TWB) |

| WROUGHT STEEL TOWEL BAR | Product Code | Width | List Price |
|---|--------------|-------|------------|
|  | 25024 | 12" | \$101.00 |
| | 25021 | 18" | \$106.00 |
| | 25022 | 24" | \$112.00 |
| | 25023 | 30" | \$127.00 |

| WROUGHT STEEL TOWEL RING | Product Code | Overall | List Price |
|---|--------------|---------|------------|
|  | 2501 | 6 1/2" | \$81.00 |

| WROUGHT STEEL PAPER HOLDER - BAR STYLE | Product Code | Projection | List Price |
|--|--------------|------------|------------|
|  | 2503 | 3 3/8" | \$81.00 |

| WROUGHT STEEL PAPER HOLDER - SPRING ROD STYLE | Product Code | Projection | List Price |
|---|--------------|------------|------------|
|  | 2504 | 3 3/8" | \$81.00 |

| WROUGHT STEEL ROBE HOOK | Product Code | Projection | List Price |
|---|--------------|------------|------------|
| <p>>> Rosette options are not available for this product.</p>  | 25050 | Upper Hook | \$14.00 |
| | | 3" | |

Rosette



#1



#2



#3

Finish



Flat Black Steel (FBS)



Satin Steel (SWS)

STAINLESS STEEL BATH HARDWARE

| STAINLESS STEEL TOWEL BAR | Product Code | Width | List Price |
|---|--------------|-------|------------|
|  | S7040 | 12" | \$141.00 |
| | S7010 | 18" | \$147.00 |
| | S7020 | 24" | \$168.00 |
| | S7030 | 30" | \$184.00 |

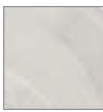
| STAINLESS STEEL TOWEL RING | Product Code | Width | List Price |
|---|--------------|--------|------------|
|  | S7300 | 6 7/8" | \$99.00 |

| STAINLESS STEEL PAPER HOLDER - BAR STYLE | Product Code | Projection | List Price |
|---|--------------|------------|------------|
|  | S7210 | 3 1/8" | \$101.00 |

| STAINLESS STEEL PAPER HOLDER - SPRING ROD STYLE | Product Code | Projection | List Price |
|---|--------------|------------|------------|
|  | S7220 | 3 3/8" | \$101.00 |

| STAINLESS STEEL SINGLE HOOK | Product Code | Projection | List Price |
|---|--------------|------------|------------|
| <p>>> Rosette options are not available for this product.</p>  | S71001 | 2 5/8" | \$48.00 |

| Rosette |
|--|
|  <p>Disk (02)</p> |
|  <p>Square (03)</p> |


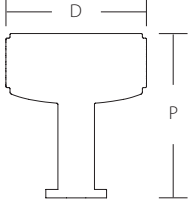

| Finish |
|---|
|  <p>Brushed Stainless Steel (SS)</p> |


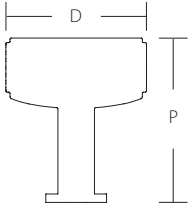

CONTEMPORARY


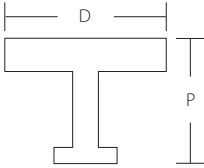




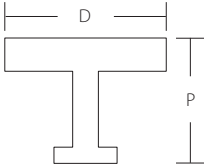

Contemporary designs pay homage to modern art and architecture in their unadorned styling. Sleek and simple lines in often bold colors and materials complement and elevate all design themes and projects.




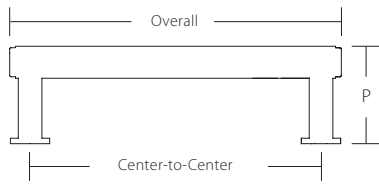
PUB HOUSE




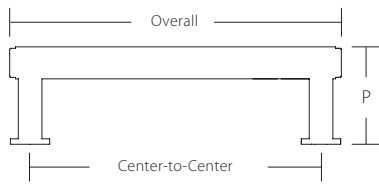
| PUB HOUSE KNURLED ROUND KNOB | Product Code | Dimension(D) | Projection(P) | List Price | Finish |
|---|---|--------------|---------------|------------|--|
|  | 5002- | 1 1/4" | 1 3/8" | \$28.00 | |
| |  | | | |  |

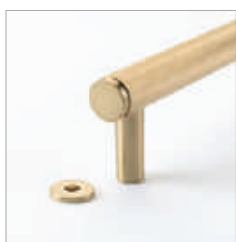
| PUB HOUSE SMOOTH ROUND KNOB | Product Code | Dimension(D) | Projection(P) | List Price | Finish |
|---|--|--------------|---------------|------------|---|
|  | 5102- | 1 1/4" | 1 3/8" | \$28.00 | |
| |  | | | |  |

| PUB HOUSE KNURLED T-KNOB | Product Code | Dimension(D) | Projection(P) | List Price | Finish |
|---|---|--------------|---------------|------------|--|
|  | 5001- | 2" | 1 1/4" | \$26.00 | |
| |  | | | |  |

| PUB HOUSE SMOOTH T-KNOB | Product Code | Dimension(D) | Projection(P) | List Price | Finish |
|---|---|--------------|---------------|------------|--|
|  | 5101- | 2" | 1 1/4" | \$26.00 | |
| |  | | | |  |


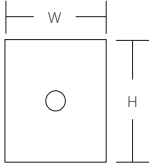

| PUB HOUSE KNURLED PULL | | Product Code | C-to-C | Overall | Projection(P) | List Price | Finish | | | | | | | | | | | | | | | | |
|---|-------|--------------|---------|----------|---------------|---|---|-----|---------|----|----------|--------|-----|---------|----|----------|--------|-----|---------|----|----------|---|---|
|  | 5003- | 3 1/2" | 4" | 1 1/4" | \$43.00 |  | Polished Chrome (26) Brushed Nickel (BN) Matte Black (MB) | | | | | | | | | | | | | | | | |
| | 5004- | 4" | 4 1/2" | 1 1/4" | \$47.00 | | | | | | | | | | | | | | | | | | |
| | 5005- | 5" | 5 1/2" | 1 1/4" | \$50.00 | | | | | | | | | | | | | | | | | | |
| | 5006- | 6" | 6 1/2" | 1 1/4" | \$53.00 | | | | | | | | | | | | | | | | | | |
| | 5008- | 8" | 8 1/2" | 1 1/4" | \$65.00 | | | | | | | | | | | | | | | | | | |
| | 5010- | 10" | 10 1/2" | 1 1/4" | \$75.00 | | | | | | | | | | | | | | | | | | |
| | 5012- | 12" | 12 1/2" | 1 1/4" | \$100.00 | | | | | | | | | | | | | | | | | | |
| <p><i>Also available in Appliance Pulls:</i></p> <table border="1"> <tr> <td>5012A-</td> <td>12"</td> <td>13 1/4"</td> <td>2"</td> <td>\$207.00</td> </tr> <tr> <td>5018A-</td> <td>18"</td> <td>19 1/4"</td> <td>2"</td> <td>\$302.00</td> </tr> <tr> <td>5024A-</td> <td>24"</td> <td>25 1/4"</td> <td>2"</td> <td>\$333.00</td> </tr> </table> | | | | | | | 5012A- | 12" | 13 1/4" | 2" | \$207.00 | 5018A- | 18" | 19 1/4" | 2" | \$302.00 | 5024A- | 24" | 25 1/4" | 2" | \$333.00 |  | Polished Nickel (PN) Signature Satin Brass (SSB) |
| 5012A- | 12" | 13 1/4" | 2" | \$207.00 | | | | | | | | | | | | | | | | | | | |
| 5018A- | 18" | 19 1/4" | 2" | \$302.00 | | | | | | | | | | | | | | | | | | | |
| 5024A- | 24" | 25 1/4" | 2" | \$333.00 | | | | | | | | | | | | | | | | | | | |
|  | | | | | | | | | | | | | | | | | | | | | | | |


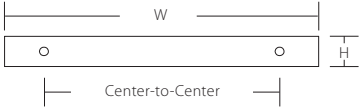
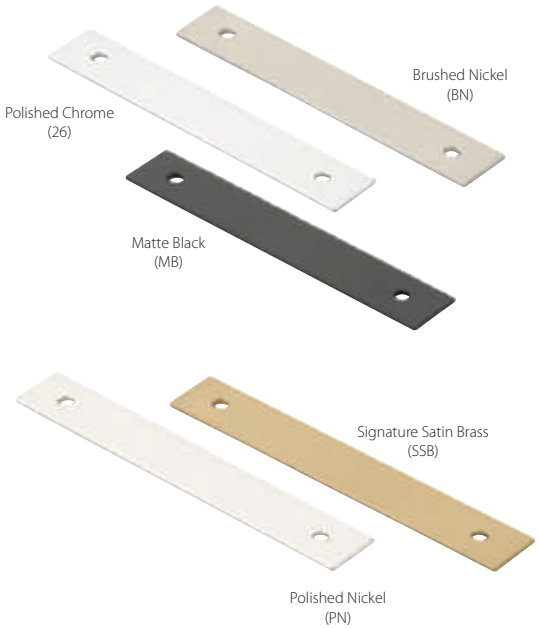
| PUB HOUSE SMOOTH PULL | | Product Code | C-to-C | Overall | Projection(P) | List Price | Finish | | | | | | | | | | | | | | | | |
|---|-------|--------------|---------|----------|---------------|--|---|-----|---------|----|----------|--------|-----|---------|----|----------|--------|-----|---------|----|----------|---|---|
|  | 5103- | 3 1/2" | 4" | 1 1/4" | \$43.00 |  | Polished Chrome (26) Brushed Nickel (BN) Matte Black (MB) | | | | | | | | | | | | | | | | |
| | 5104- | 4" | 4 1/2" | 1 1/4" | \$47.00 | | | | | | | | | | | | | | | | | | |
| | 5105- | 5" | 5 1/2" | 1 1/4" | \$50.00 | | | | | | | | | | | | | | | | | | |
| | 5106- | 6" | 6 1/2" | 1 1/4" | \$53.00 | | | | | | | | | | | | | | | | | | |
| | 5108- | 8" | 8 1/2" | 1 1/4" | \$65.00 | | | | | | | | | | | | | | | | | | |
| | 5110- | 10" | 10 1/2" | 1 1/4" | \$75.00 | | | | | | | | | | | | | | | | | | |
| | 5112- | 12" | 12 1/2" | 1 1/4" | \$100.00 | | | | | | | | | | | | | | | | | | |
| <p><i>Also available in Appliance Pulls:</i></p> <table border="1"> <tr> <td>5112A-</td> <td>12"</td> <td>13 1/4"</td> <td>2"</td> <td>\$207.00</td> </tr> <tr> <td>5118A-</td> <td>18"</td> <td>19 1/4"</td> <td>2"</td> <td>\$302.00</td> </tr> <tr> <td>5124A-</td> <td>24"</td> <td>25 1/4"</td> <td>2"</td> <td>\$333.00</td> </tr> </table> | | | | | | | 5112A- | 12" | 13 1/4" | 2" | \$207.00 | 5118A- | 18" | 19 1/4" | 2" | \$302.00 | 5124A- | 24" | 25 1/4" | 2" | \$333.00 |  | Polished Nickel (PN) Signature Satin Brass (SSB) |
| 5112A- | 12" | 13 1/4" | 2" | \$207.00 | | | | | | | | | | | | | | | | | | | |
| 5118A- | 18" | 19 1/4" | 2" | \$302.00 | | | | | | | | | | | | | | | | | | | |
| 5124A- | 24" | 25 1/4" | 2" | \$333.00 | | | | | | | | | | | | | | | | | | | |
|  | | | | | | | | | | | | | | | | | | | | | | | |



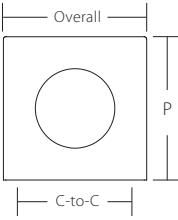




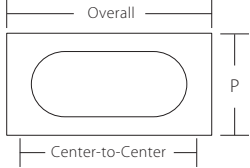
Optional Disc Base Included
Not Sold Separately



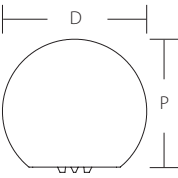
PUB HOUSE



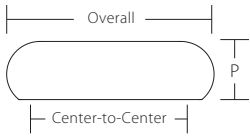
| PUB HOUSE BACKPLATE FOR KNOB | | Product Code | W x H | Depth | List Price | Finish |
|---|--------|--------------|-------|--------|---|--|
|  | 5101B- | 1" x ¾" | ⅛" | \$5.00 |  |  |
| | | | | | | |



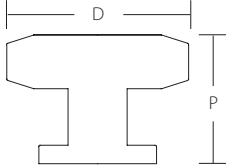
| PUB HOUSE BACKPLATE FOR PULL | | Product Code | C-to-C | W x H | Depth | List Price | Finish |
|--|---|--------------|------------|-------|----------|---|---|
|  | 5103B- | 3 ½" | 4 ½" x ¾" | ⅛" | \$11.00 |  |  |
| | 5104B- | 4" | 5" x ¾" | ⅛" | \$12.00 | | |
| | 5105B- | 5" | 6" x ¾" | ⅛" | \$14.00 | | |
| | 5106B- | 6" | 7" x ¾" | ⅛" | \$15.00 | | |
| | 5108B- | 8" | 9" x ¾" | ⅛" | \$17.00 | | |
| | 5110B- | 10" | 11" x ¾" | ⅛" | \$24.00 | | |
| | 5112B- | 12" | 13" x ¾" | ⅛" | \$29.00 | | |
| | <i>Also available in Appliance Pulls:</i> | | | | | | |
| | 5112AB- | 12" | 13 ½" x 1" | ⅛" | \$47.00 | | |
| | 5118AB- | 18" | 19 ½" x 1" | ⅛" | \$70.00 | | |
| | 5124AB- | 24" | 25 ½" x 1" | ⅛" | \$102.00 | | |


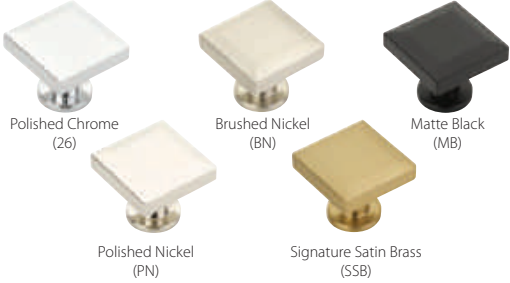
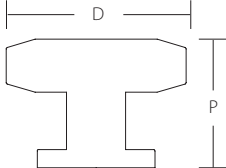
| CAFE MODERN OVAL SLOT KNOB | Product Code | C-to-C | Overall | Projection(P) | List Price | Finish |
|---|---|--------|---------|---------------|------------|--|
|  | 10030- | 7/8" | 1 1/8" | 1 1/8" | \$16.00 |  |
| |  | | | | | |



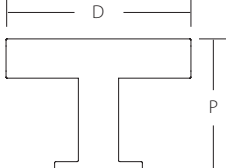
| CAFE MODERN OVAL SLOT PULL | Product Code | C-to-C | Overall | Projection(P) | List Price | Finish |
|--|--------------|--------|---------|---------------|------------|---|
|  | 10031- | 2" | 2 3/8" | 1 1/8" | \$22.00 |  |
| | 10032- | 3 1/2" | 3 7/8" | 1 1/8" | \$30.00 | |
| | 10033- | 5" | 5 3/8" | 1 1/8" | \$37.00 | |
| | 10034- | 8" | 8 3/8" | 1 1/8" | \$52.00 | |
|  | | | | | | |



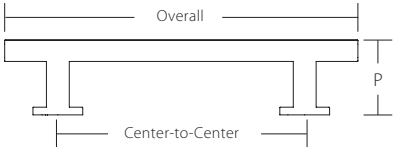
| CAFE MODERN OVAL KNOB | Product Code | Dimension(D) | Projection(P) | List Price | Finish |
|---|---|--------------|---------------|------------|---|
|  | 10040- | 1" | 1 1/8" | \$16.00 |  |
| |  | | | | |




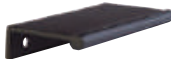



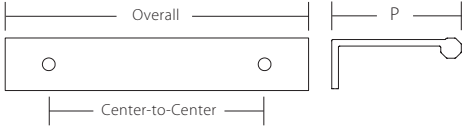
| CAFE MODERN OVAL PULL | Product Code | C-to-C | Overall | Projection(P) | List Price | Finish |
|---|--------------|---------------|---------|---------------|------------|--|
|  | 10041- | 3" | 3 7/8" | 1 1/8" | \$32.00 |  |
| | 10042- | 4" or 5" | 5 7/8" | 1 1/8" | \$45.00 | |
| | 10043- | 6 5/16" or 8" | 8 7/8" | 1 1/8" | \$63.00 | |
|  | | | | | | |








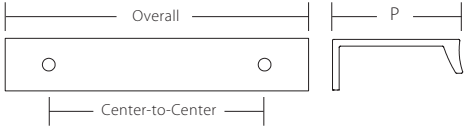
| HEATHROW ROUND KNOB | Product Code | Dimension(D) | Projection(P) | List Price | Finish |
|---|--------------|---|---------------|------------|--|
|  | 550- | 1 1/4" | 1" | \$25.00 |  |
| | |  | | | |


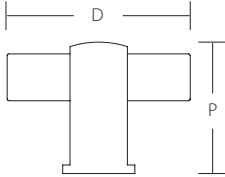





| HEATHROW SQUARE KNOB | Product Code | Dimension(D) | Projection(P) | List Price | Finish |
|---|--------------|---|---------------|------------|--|
|  | 551- | 1 1/4" | 1" | \$26.00 |  |
| | |  | | | |


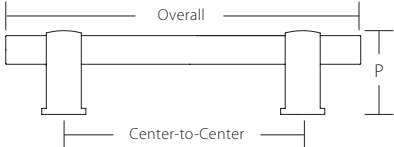





| HEATHROW T-KNOB | Product Code | Dimension(D) | Projection(P) | List Price | Finish |
|---|--------------|---|---------------|------------|--|
|  | 552- | 1 3/4" | 1 1/4" | \$26.00 |  |
| | |  | | | |





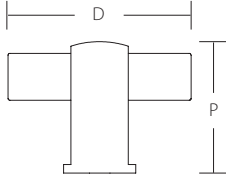




| HEATHROW PULL | Product Code | C-to-C | Overall | Projection(P) | List Price | Finish | |
|---|---|---------|---------|---------------|------------|--|--|
|  | 560- | 3 1/2" | 5 1/4" | 1 1/4" | \$45.00 |  | |
| | 553- | 4" | 5 3/4" | 1 1/4" | \$48.00 | | |
| | 561- | 5" | 6 3/4" | 1 1/4" | \$54.00 | | |
| | 554- | 6" | 7 3/4" | 1 1/4" | \$60.00 | | |
| | 555- | 8" | 10 1/4" | 1 1/4" | \$67.00 | | |
| | 562- | 10" | 11 3/4" | 1 1/4" | \$75.00 | | |
| | 563- | 12" | 13 3/4" | 1 1/4" | \$95.00 | | |
| | <i>Also available in Appliance Pulls:</i> | | | | | | |
| | 557- | 12" | 14 1/2" | 2" | \$207.00 | | |
| | 558- | 18" | 20 1/2" | 2" | \$302.00 | | |
| 559- | 24" | 26 1/2" | 2" | \$333.00 | | | |
| |  | | | | | | |








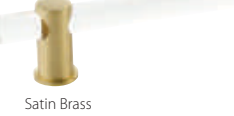
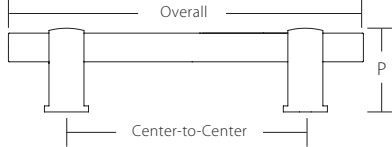
| BAKER EDGE PULL | | Product Code | C-to-C | Overall | Width | Projection(P) | List Price | Finish |
|---|--------|--------------|--------|---------|-------|---------------|---|--------|
|  | 10020- | 3" | 4 1/4" | 1/8" | 2" | \$26.00 |  Brushed Nickel (BN)  Gun Metal (GM)  Matte Black (MB)  Polished Nickel (PN)  Satin Brass (US4)  Unlacquered Brass (UNBR) | |
| | 10021- | 4" | 5 1/4" | 1/8" | 2" | \$31.00 | | |
| | 10022- | 5" | 6 1/4" | 1/8" | 2" | \$37.00 | | |
|  | | | | | | | | |

| SABRE EDGE PULL | | Product Code | C-to-C | Overall | Width | Projection(P) | List Price | Finish |
|---|--------|--------------|--------|---------|-------|---------------|---|--------|
|  | 10010- | 3" | 4 1/4" | 1/8" | 2" | \$26.00 |  Brushed Nickel (BN)  Gun Metal (GM)  Matte Black (MB)  Polished Nickel (PN)  Satin Brass (US4)  Unlacquered Brass (UNBR) | |
| | 10011- | 4" | 5 1/4" | 1/8" | 2" | \$31.00 | | |
| | 10012- | 5" | 6 1/4" | 1/8" | 2" | \$37.00 | | |
|  | | | | | | | | |


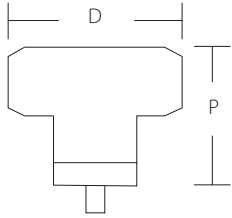
| FONCÉ-KNOB | | Product Code | Dimension(D) | Projection(P) | List Price | Finish |
|---|---|--------------|--------------|---------------|------------|---|
|  <p>Non-Adjustable</p> |  | 421- | 2" | 1 1/4" | \$29.00 |  <p>Matte Black (MB)</p>  <p>Matte Black Bar/Polished Nickel Stem (MB-PN)</p>  <p>Matte Black Bar/Satin Brass Stem (MB-SB)</p>  <p>Polished Nickel (PN)</p>  <p>Satin Brass (SB)</p> |
| | | | | | | |


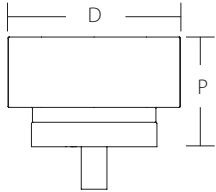
| FONCÉ PULL | | Product Code | C-to-C | Overall | Projection(P) | List Price | Finish |
|--|---|--------------|--------|---------|---------------|------------|---|
|  <p>Non-Adjustable</p> |  | 424- | 4" | 6" | 1 1/4" | \$54.00 |  <p>Matte Black (MB)</p>  <p>Matte Black Bar/Polished Nickel Stem (MB-PN)</p>  <p>Matte Black Bar/Satin Brass Stem (MB-SB)</p>  <p>Polished Nickel (PN)</p>  <p>Satin Brass (SB)</p> |
| | | 426- | 6" | 8" | 1 1/4" | \$63.00 | |
| 428- | 8" | 10" | 1 1/4" | \$76.00 | | | |
| <p><i>Also available in Appliance Pull:</i></p> | | 422- | 12" | 15" | 2" | \$207.00 | |
| | | | | | | | |


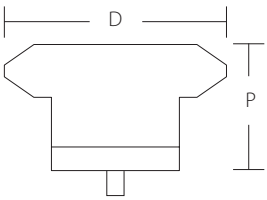
| LUMIERE-T-KNOB | Product Code | Dimension(D) | Projection(P) | List Price | Finish |
|---|---|--------------|---------------|------------|---|
|  <p>Adjustable Acrylic</p> | 401- | 2" | 1 1/4" | \$26.00 |  Oil Rubbed Bronze (10B)  Satin Nickel (15)  Polished Chrome (26) |
| |  | | | |  Brushed Rose Gold (BRG)  Matte Black (MB)  Polished Nickel (PN)  Satin Brass (SB) |

| LUMIERE PULL | Product Code | C-to-C | Overall | Projection(P) | List Price | Finish |
|---|--------------|--------|---------|---------------|------------|---|
|  <p>Adjustable Acrylic</p> | 404- | 4" | 6" | 1 1/4" | \$53.00 |  Oil Rubbed Bronze (10B)  Satin Nickel (15)  Polished Chrome (26)  Brushed Rose Gold (BRG)  Matte Black (MB)  Polished Nickel (PN)  Satin Brass (SB) |
| | 406- | 6" | 8" | 1 1/4" | \$62.00 | |
| | 408- | 8" | 10" | 1 1/4" | \$76.00 | |
| <p><i>Also available in Appliance Pull:</i></p> | | | | | | |
| | 402- | 12" | 15" | 2" | \$207.00 | |
|  | | | | | | |


CITY LIGHTS


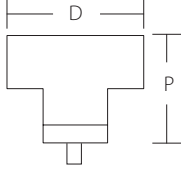
| CITY LIGHTS RECTANGULAR GLASS KNOB | Product Code | Dimension(D) | Projection(P) | List Price |
|---|---|-----------------|---------------|------------|
|  | 52- | 1 3/4" x 1 3/8" | 1 1/2" | \$45.00 |
| |  | | | |


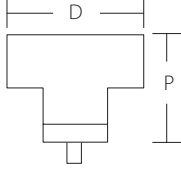
| CITY LIGHTS LARGE MULTI-SIDED GLASS KNOB | Product Code | Dimension(D) | Projection(P) | List Price |
|---|--|--------------|---------------|------------|
|  | 53- | 1 3/4" | 1 1/8" | \$45.00 |
| |  | | | |

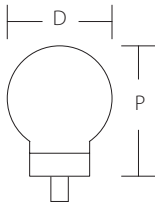
| CITY LIGHTS FACETED DOME GLASS KNOB | Product Code | Dimension(D) | Projection(P) | List Price |
|---|---|--------------|---------------|------------|
|  | 54- | 1 3/4" | 1 1/2" | \$45.00 |
| |  | | | |

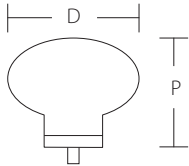
| CITY LIGHTS ROUND MULTI-SIDED GLASS KNOB | Product Code | Dimension(D) | Projection(P) | List Price |
|---|---|--------------|---------------|------------|
|  | 55- | 1 1/8" | 1 3/8" | \$41.00 |
| |  | | | |

| Finish |
|---|
|  Oil Rubbed Bronze (10B) |
|  Satin Nickel (15) |
|  Polished Chrome (26) |
|  Polished Nickel (PN) |
|  Polished Rose Gold (PRG) |
|  Satin Brass (SB) |

| CITY LIGHTS ROUND DISC GLASS KNOB | Product Code | Dimension(D) | Projection(P) | List Price |
|---|--------------|--------------|---------------|------------|
|  | 56- | 1 3/8" | 1 1/8" | \$41.00 |
|  | | | | |


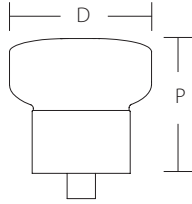
| CITY LIGHTS SQUARE GLASS KNOB | Product Code | Dimension(D) | Projection(P) | List Price |
|---|--------------|--------------|---------------|------------|
|  | 57- | 1 1/4" | 1 1/8" | \$41.00 |
|  | | | | |

| CITY LIGHTS GLOBE GLASS KNOB | Product Code | Dimension(D) | Projection(P) | List Price |
|---|--------------|--------------|---------------|------------|
|  | 59- | 1 3/8" | 1 3/4" | \$41.00 |
|  | | | | |


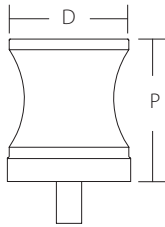
| CITY LIGHTS OVAL GLASS KNOB | Product Code | Dimension(D) | Projection(P) | List Price |
|--|--------------|-----------------|---------------|------------|
|  | 60- | 1 3/4" x 1 1/8" | 1 1/2" | \$41.00 |
|  | | | | |


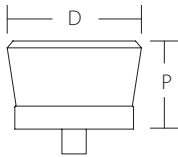
| Finish |
|---|
|  Oil Rubbed Bronze (10B) |
|  Satin Nickel (15) |
|  Polished Chrome (26) |
|  Polished Nickel (PN) |
|  Polished Rose Gold (PRG) |
|  Satin Brass (SB) |

CITY LIGHTS


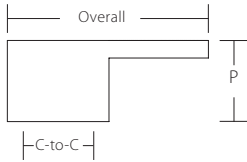





| CITY LIGHTS SOFT SQUARE GLASS KNOB | Product Code | Dimension(D) | Projection(P) | List Price |
|---|--------------|---|---------------|------------|
|  | 61- | 1 1/4" | 1 1/8" | \$45.00 |
| | |  | | |


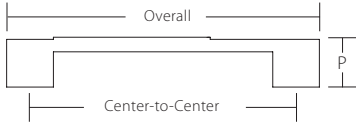





| CITY LIGHTS CYLINDER GLASS KNOB | Product Code | Dimension(D) | Projection(P) | List Price |
|---|--------------|---|---------------|------------|
|  | 74- | 7/8" | 1 1/4" | \$38.00 |
| | |  | | |


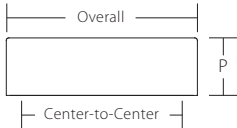


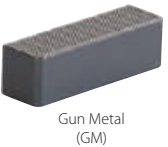


| CITY LIGHTS CONCAVE GLASS KNOB | Product Code | Dimension(D) | Projection(P) | List Price |
|---|--------------|---|---------------|------------|
|  | 76- | 1 1/8" | 1 3/8" | \$41.00 |
| | |  | | |


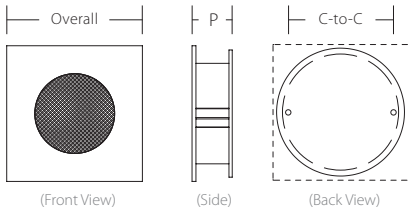





| CITY LIGHTS FLAT DISC GLASS KNOB | Product Code | Dimension(D) | Projection(P) | List Price |
|---|--------------|---|---------------|------------|
|  | 77- | 1 3/8" | 3/4" | \$42.00 |
| | |  | | |




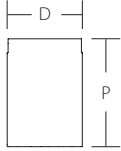


| Finish |
|--|
|  Oil Rubbed Bronze (10B) |
|  Satin Nickel (15) |
|  Polished Chrome (26) |
|  Polished Nickel (PN) |
|  Polished Rose Gold (PRG) |
|  Satin Brass (SB) |




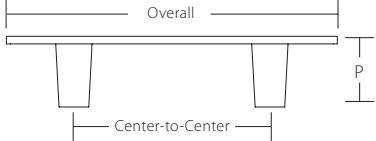


| URBANO FINGER PULL | | Product Code | C-to-C | Overall | Projection(P) | List Price | Finish | | | | | | | | | | | |
|---|---|--------------|---------|---------------|---------------|------------|---------|------|----|------|---------|--|--|--|--|--|---|--|
|  | <table border="1"> <thead> <tr> <th>Product Code</th> <th>C-to-C</th> <th>Overall</th> <th>Projection(P)</th> <th>List Price</th> </tr> </thead> <tbody> <tr> <td>211006-</td> <td>5/8"</td> <td>2"</td> <td>3/4"</td> <td>\$17.00</td> </tr> </tbody> </table> | Product Code | C-to-C | Overall | Projection(P) | List Price | 211006- | 5/8" | 2" | 3/4" | \$17.00 | | | | | |  |  Polished Chrome (26)  Brushed Nickel (BN)  Gun Metal (GM)  Matte Black (MB)  Signature Satin Brass (SSB) |
| | Product Code | C-to-C | Overall | Projection(P) | List Price | | | | | | | | | | | | | |
| 211006- | 5/8" | 2" | 3/4" | \$17.00 | | | | | | | | | | | | | | |




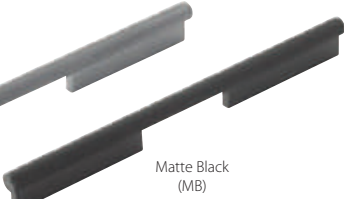
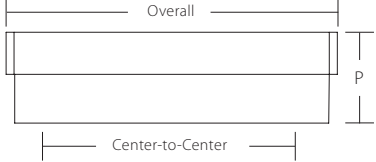
| URBANO PULL | | Product Code | C-to-C | Overall | Projection(P) | List Price | Finish | | | | | | | | | | | | | | | | | | | | | | | | | | | | | | |
|---|---|--------------|---------|---------------|---------------|------------|---------|----|--------|----|---------|---------|----|--------|----|---------|---------|----|--------|----|---------|---------|-----|---------|----|---------|---------|-----|---------|----|---------|--|--|--|--|--|--|
|  | <table border="1"> <thead> <tr> <th>Product Code</th> <th>C-to-C</th> <th>Overall</th> <th>Projection(P)</th> <th>List Price</th> </tr> </thead> <tbody> <tr> <td>211001-</td> <td>4"</td> <td>4 1/2"</td> <td>1"</td> <td>\$38.00</td> </tr> <tr> <td>211002-</td> <td>6"</td> <td>6 1/2"</td> <td>1"</td> <td>\$43.00</td> </tr> <tr> <td>211003-</td> <td>8"</td> <td>8 1/2"</td> <td>1"</td> <td>\$47.00</td> </tr> <tr> <td>211004-</td> <td>12"</td> <td>12 1/2"</td> <td>1"</td> <td>\$53.00</td> </tr> <tr> <td>211005-</td> <td>18"</td> <td>18 1/2"</td> <td>1"</td> <td>\$64.00</td> </tr> </tbody> </table> | Product Code | C-to-C | Overall | Projection(P) | List Price | 211001- | 4" | 4 1/2" | 1" | \$38.00 | 211002- | 6" | 6 1/2" | 1" | \$43.00 | 211003- | 8" | 8 1/2" | 1" | \$47.00 | 211004- | 12" | 12 1/2" | 1" | \$53.00 | 211005- | 18" | 18 1/2" | 1" | \$64.00 | | | | |  |  Polished Chrome (26)  Brushed Nickel (BN)  Gun Metal (GM)  Matte Black (MB)  Signature Satin Brass (SSB) |
| | Product Code | C-to-C | Overall | Projection(P) | List Price | | | | | | | | | | | | | | | | | | | | | | | | | | | | | | | | |
| 211001- | 4" | 4 1/2" | 1" | \$38.00 | | | | | | | | | | | | | | | | | | | | | | | | | | | | | | | | | |
| 211002- | 6" | 6 1/2" | 1" | \$43.00 | | | | | | | | | | | | | | | | | | | | | | | | | | | | | | | | | |
| 211003- | 8" | 8 1/2" | 1" | \$47.00 | | | | | | | | | | | | | | | | | | | | | | | | | | | | | | | | | |
| 211004- | 12" | 12 1/2" | 1" | \$53.00 | | | | | | | | | | | | | | | | | | | | | | | | | | | | | | | | | |
| 211005- | 18" | 18 1/2" | 1" | \$64.00 | | | | | | | | | | | | | | | | | | | | | | | | | | | | | | | | | |


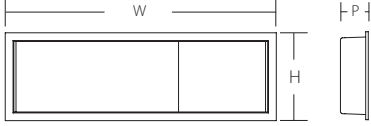

| URBANO CUP PULL | | Product Code | C-to-C | Overall | Projection(P) | List Price | Finish | | | | | | | | | | | | | | | |
|---|--|--------------|---------|---------------|---------------|------------|---------|--------|--------|------|---------|---------|--------|--------|------|---------|--|--|--|--|---|--|
|  | <table border="1"> <thead> <tr> <th>Product Code</th> <th>C-to-C</th> <th>Overall</th> <th>Projection(P)</th> <th>List Price</th> </tr> </thead> <tbody> <tr> <td>211008-</td> <td>1 7/8"</td> <td>2 5/8"</td> <td>3/4"</td> <td>\$17.00</td> </tr> <tr> <td>211007-</td> <td>5 3/8"</td> <td>6 3/8"</td> <td>3/4"</td> <td>\$30.00</td> </tr> </tbody> </table> | Product Code | C-to-C | Overall | Projection(P) | List Price | 211008- | 1 7/8" | 2 5/8" | 3/4" | \$17.00 | 211007- | 5 3/8" | 6 3/8" | 3/4" | \$30.00 | | | | |  |  Polished Chrome (26)  Brushed Nickel (BN)  Gun Metal (GM)  Matte Black (MB)  Signature Satin Brass (SSB) |
| | Product Code | C-to-C | Overall | Projection(P) | List Price | | | | | | | | | | | | | | | | | |
| 211008- | 1 7/8" | 2 5/8" | 3/4" | \$17.00 | | | | | | | | | | | | | | | | | | |
| 211007- | 5 3/8" | 6 3/8" | 3/4" | \$30.00 | | | | | | | | | | | | | | | | | | |


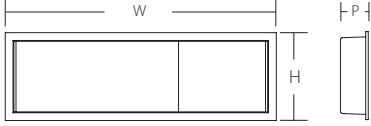





| URBANO SQUARE RECESSED PULL | | Product Code | C-to-C | Overall | Projection(P) | List Price | Finish | | | | | | | | | | |
|---|---|--------------|---------|---------------|---------------|------------|---------|--------|----|------|---------|--|--|--|--|---|---|
|  | <table border="1"> <thead> <tr> <th>Product Code</th> <th>C-to-C</th> <th>Overall</th> <th>Projection(P)</th> <th>List Price</th> </tr> </thead> <tbody> <tr> <td>211009-</td> <td>2 1/4"</td> <td>3"</td> <td>7/8"</td> <td>\$36.00</td> </tr> </tbody> </table> | Product Code | C-to-C | Overall | Projection(P) | List Price | 211009- | 2 1/4" | 3" | 7/8" | \$36.00 | | | | |  |  Polished Chrome (26)  Brushed Nickel (BN)  Gun Metal (GM)  Matte Black (MB)  Signature Satin Brass (SSB) |
| | Product Code | C-to-C | Overall | Projection(P) | List Price | | | | | | | | | | | | |
| 211009- | 2 1/4" | 3" | 7/8" | \$36.00 | | | | | | | | | | | | | |


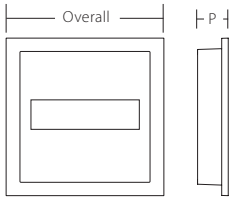
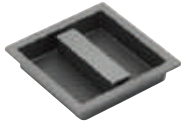


| MODO FINGER PULL | Product Code | Dimension(D) | Projection(P) | List Price | Finish |
|---|---|--------------|---------------|------------|--|
|  | 1200- | 5/8" | 7/8" | \$13.00 |  Gun Metal (GM)  Matte Black (MB) |
| |  | | | |  Polished Rose Gold (PRG)  Signature Satin Brass (SSB) |


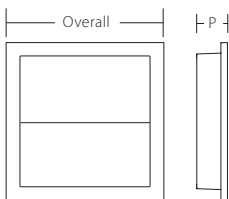
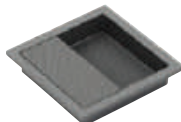


| MODO RECTANGULAR PULL | Product Code | C-to-C | Overall | Projection(P) | List Price | Finish |
|--|--|--------|-----------------|---------------|---|--|
|  | 1209- | 1 7/8" | 3 1/4" x 1 3/8" | 5/8" | \$21.00 |  Gun Metal (GM)  Matte Black (MB) |
| |  | | | |  Polished Rose Gold (PRG)  Signature Satin Brass (SSB) | |


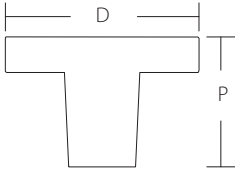




| MODO PULL | Product Code | C-to-C | Overall | Projection(P) | List Price | Finish |
|--|--------------|--------|---------|---------------|------------|--|
|  <p>4" cc One Base</p>  <p>6" cc ~ 18" cc Two Bases</p> | 1201- | 4" | 4 7/8" | 1 3/8" | \$51.00 |  Gun Metal (GM)  Matte Black (MB) |
| | 1202- | 6" | 10 7/8" | 1 3/8" | \$76.00 | |
| | 1203- | 8" | 12 7/8" | 1 3/8" | \$89.00 | |
| | 1204- | 12" | 16 7/8" | 1 3/8" | \$102.00 | |
| | 1205- | 18" | 22 7/8" | 1 3/8" | \$127.00 | |
|  | | | | | | |


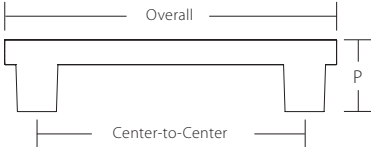


| MODO RECTANGULAR RECESSED PULL | Product Code | W x H | Projection(P) | List Price | Finish |
|---|---|-------------|---------------|------------|---|
|  | 1206- | 6 1/4" x 2" | 5/8" | \$64.00 | |
| |  | | | |  Gun Metal (GM) |


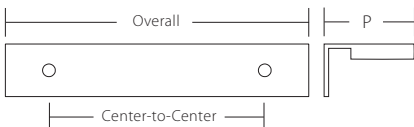



| MODO RECTANGULAR MIXED RECESSED PULL | Product Code | W x H | Projection(P) | List Price | Finish |
|---|--|-------------|---------------|------------|--|
|  | 1210- | 6 1/4" x 2" | 5/8" | \$64.00 | |
| |  | | | |  Gun Metal/Matte Black (GM-MB) |
|  Gun Metal/Signature Satin Brass (GM-SSB) | | | | |  Matte Black/Gun Metal (MB-GM) |
|  Matte Black/Polished Rose Gold (MB-PRG) |  Matte Black/Signature Satin Brass (MB-SSB) | | | | |



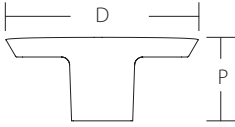
| MODO RECESSED PULL | Product Code | Overall | Projection(P) | List Price | Finish |
|---|---|---------|---------------|------------|--|
|  | 1207- | 3 7/8" | 3/4" | \$83.00 | |
| |  | | | |  Gun Metal (GM) |
|  Polished Rose Gold (PRG) | | | | |  Signature Satin Brass (SSB) |



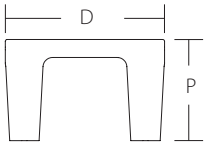
| MODO SQUARE RECESSED PULL | Product Code | Overall | Projection(P) | List Price | Finish |
|---|---|---------|---------------|------------|--|
|  | 1208- | 3 7/8" | 3/4" | \$76.00 | |
| |  | | | |  Gun Metal (GM) |
|  Polished Rose Gold (PRG) | | | | |  Signature Satin Brass (SSB) |


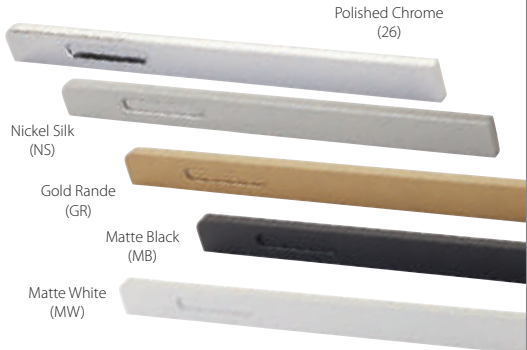
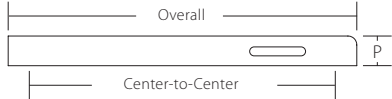
| ASPERO T-KNOB | Product Code | Dimension(D) | Projection(P) | List Price | Finish | | |
|---|--------------|--------------|---------------|------------|---|--|---|
|  | 211042- | 2" | 1 3/8" | \$40.00 |  |  Brushed Nickel (BN) |  Gold Rande (GR) |
| | | | | | |  Matte Black (MB) |  Matte White (MW) |



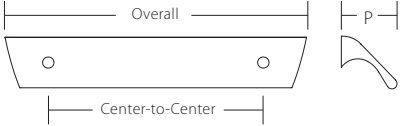
| ASPERO PULL | Product Code | C-to-C | Overall | Projection(P) | List Price | Finish | | |
|---|--------------|--------|---------|---------------|------------|--|---|--|
|  | 211043- | 4" | 5 1/4" | 1 3/8" | \$43.00 |  |  Brushed Nickel (BN) |  Gold Rande (GR) |
| | 211044- | 5" | 6 1/4" | 1 3/8" | \$49.00 | | | |
| | 211045- | 8" | 9 1/4" | 1 3/8" | \$53.00 | | | |
| | 211046- | 12" | 13 1/4" | 1 3/8" | \$60.00 | | | |
| | | | | | | | | |


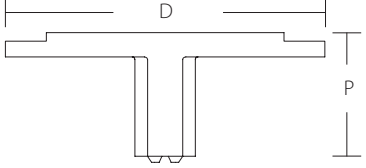

| BORDE EDGE PULL | Product Code | C-to-C | Overall | Width | Projection(P) | List Price | Finish | | |
|---|--------------|---------|---------|-------|---------------|---|---|--|--|
|  | 211047- | 1 1/4" | 3 1/8" | 1/16" | 3/4" | \$32.00 |  |  Polished Chrome (26) |  Gold Rande (GR) |
| | 211048- | 5" | 7 7/8" | 1/16" | 3/4" | \$49.00 | | | |
| | 211049- | 7 3/8" | 11" | 1/16" | 3/4" | \$56.00 | | | |
| | 211050- | 12 3/8" | 18 1/2" | 1/16" | 3/4" | \$75.00 | | | |
| | | | | | |  Nickel Silk (NS) | | | |


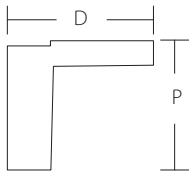
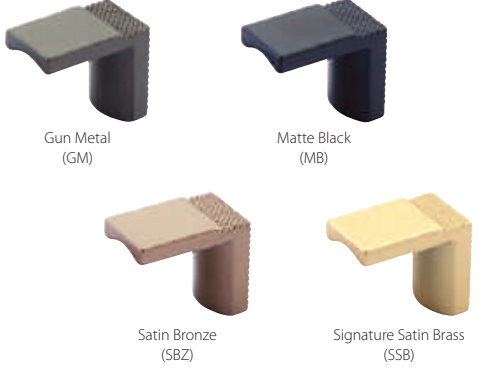
| SUAVE T-KNOB | Product Code | Dimension(D) | Projection(P) | List Price | Finish |
|---|---|--------------|---------------|------------|--|
|  | 211035- | 2 3/8" | 1" | \$22.00 |  |
| |  | | | | |



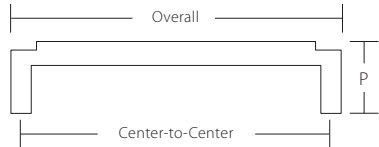
| SUAVE PULL | Product Code | C-to-C | Overall | Projection(P) | List Price | Finish |
|---|--------------|--------|---------|---------------|------------|---|
|  | 211036- | 1 1/4" | 1 5/8" | 1" | \$25.00 |  |
| | 211037- | 8 7/8" | 9 1/4" | 1" | \$50.00 | |
|  | | | | | | |


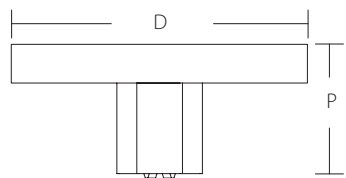




| SUAVE OFFSET PULL | Product Code | C-to-C | Overall | Projection(P) | List Price | Finish |
|---|---|--------|---------|---------------|------------|---|
|  | 211038- | 10" | 11 7/8" | 1" | \$75.00 |  |
| |  | | | | | |

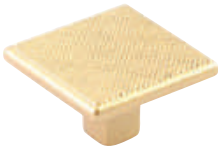
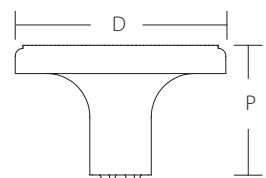
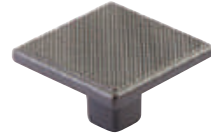
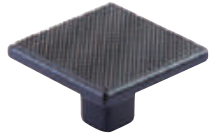
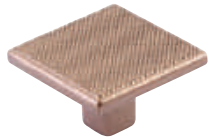
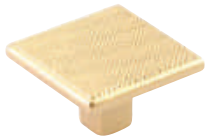
| SUAVE CUP PULL | Product Code | C-to-C | Overall | Width | Projection(P) | List Price | Finish |
|---|--------------|---------|---------|-------|---------------|------------|---|
|  | 211039- | 3 3/4" | 5 7/8" | 1/8" | 1" | \$51.00 |  |
| | 211040- | 7 1/2" | 10 5/8" | 1/8" | 1" | \$66.00 | |
| | 211041- | 12 5/8" | 14 1/2" | 1/8" | 1" | \$83.00 | |
|  | | | | | | | |


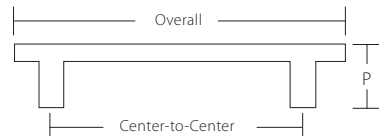




| QUADRATO WIDE T-KNOB | Product Code | Dimension(D) | Projection(P) | List Price | Finish |
|---|---|--------------|---------------|------------|---|
|  | 20013- | 2 3/8" | 1" | \$17.00 | |
| |  | | | |  <p>Gun Metal (GM) Matte Black (MB)</p> <p>Satin Bronze (SBZ) Signature Satin Brass (SSB)</p> |



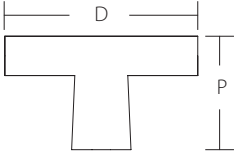
| QUADRATO WIDE FINGER PULL | Product Code | Dimension(D) | Projection(P) | List Price | Finish |
|--|---|--------------|---------------|------------|--|
|  | 20014- | 1 1/8" | 1" | \$15.00 | |
| |  | | | |  <p>Gun Metal (GM) Matte Black (MB)</p> <p>Satin Bronze (SBZ) Signature Satin Brass (SSB)</p> |



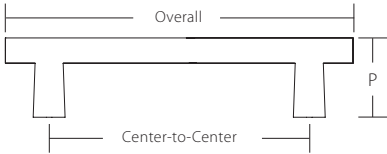
| QUADRATO WIDE PULL | Product Code | C-to-C | Overall | Projection(P) | List Price | Finish |
|---|--------------|---------|---------|---------------|------------|---|
|  | 20016- | 6 5/16" | 6 3/4" | 1" | \$25.00 |  <p>Gun Metal (GM) Matte Black (MB)</p> <p>Satin Bronze (SBZ) Signature Satin Brass (SSB)</p> |
| | 20017- | 7 5/8" | 8" | 1" | \$28.00 | |
| 20018- | 12 5/8" | 13" | 1" | \$35.00 | | |
|  | | | | | | |



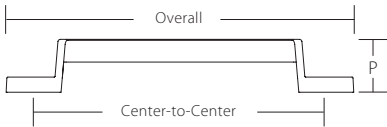
| QUADRATO T-KNOB | Product Code | Dimension(D) | Projection(P) | List Price | Finish | | |
|---|--------------|--------------|---------------|------------|---|---|--|
|  | 20010- | 2 1/2" | 1" | \$17.00 |  |  Gun Metal (GM) |  Matte Black (MB) |
| | | | | | |  Satin Bronze (SBZ) |  Signature Satin Brass (SSB) |

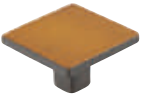
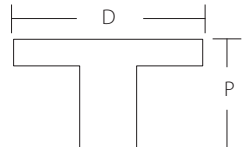
| QUADRATO SQUARE KNOB | Product Code | Dimension(D) | Projection(P) | List Price | Finish | | |
|--|--------------|--------------|---------------|------------|---|---|--|
|  | 20015- | 1 3/8" | 7/8" | \$15.00 |  |  Gun Metal (GM) |  Matte Black (MB) |
| | | | | | |  Satin Bronze (SBZ) |  Signature Satin Brass (SSB) |








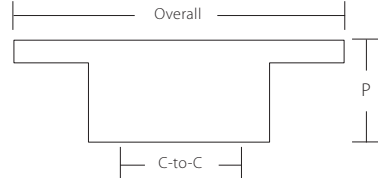
| QUADRATO PULL | Product Code | C-to-C | Overall | Projection(P) | List Price | Finish | | |
|---|--------------|---------|---------|---------------|------------|---|---|--|
|  | 20011- | 6 3/8" | 8 1/4" | 1 1/8" | \$25.00 |  |  Gun Metal (GM) |  Matte Black (MB) |
| | 20012- | 12 3/8" | 14 1/2" | 1 1/8" | \$35.00 | |  Satin Bronze (SBZ) |  Signature Satin Brass (SSB) |








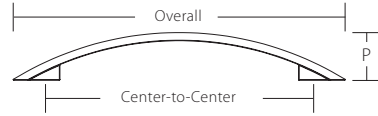
| MONZA T-KNOB | Product Code | Dimension(D) | Projection(P) | List Price | Finish |
|---|---|--------------|---------------|------------|--|
|  | 211092- | 2" | 1 1/4" | \$24.00 |  <p>Magenta (MA) Matte Black (MB)</p> <p>Matte Green (MG) Signature Satin Brass (SSB)</p> |
| |  | | | | |

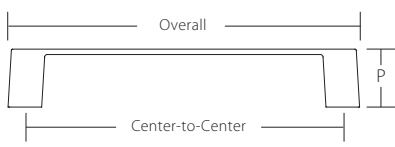
| MONZA PULL | Product Code | C-to-C | Overall | Projection(P) | List Price | Finish |
|---|--|--------|---------|---|------------|--|
|  | 211093- | 4" | 5 5/8" | 1 1/4" | \$43.00 |  <p>Magenta (MA) Matte Black (MB)</p> <p>Matte Green (MG) Signature Satin Brass (SSB)</p> |
| | 211094- | 6" | 7 5/8" | 1 1/4" | \$47.00 | |
| | 211095- | 8" | 9 5/8" | 1 1/4" | \$53.00 | |
| | 211096- | 12" | 13 5/8" | 1 1/4" | \$60.00 | |
| | <i>Also available in Appliance Pull:</i> | | | | | |
| | 211097- | 18" | 20 1/4" | 2" | \$307.00 | |
| | | | |  | | |



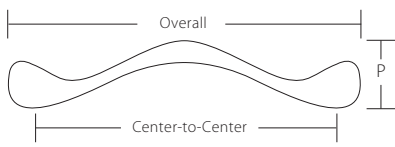
| SAN MARCO PULL | Product Code | C-to-C | Overall | Projection(P) | List Price | Finish |
|--|--------------|---------|---------|---|------------|---|
|  | 454- | 3 3/4" | 4 7/8" | 1 1/8" | \$24.00 |  <p>Satin Nickel (15) Polished Chrome (26)</p> <p>Matte Black (MB) Polished Nickel (PN)</p> <p>Satin Brass (SB) Vintage Steel (VS)</p> |
| | 455- | 6 1/4" | 7 1/2" | 1 1/8" | \$27.00 | |
| | 456- | 12 1/2" | 13 1/8" | 1 1/8" | \$41.00 | |
| | | | |  | | |



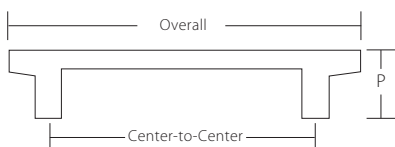
| ARMADIO SQUARE KNOB | Product Code | Dimension(D) | Projection(P) | List Price | Finish |
|---|--------------|--------------|---|------------|--|
|  | 360- | 1 3/8" | 7/8" | \$17.00 |       |
| | | |  | | |


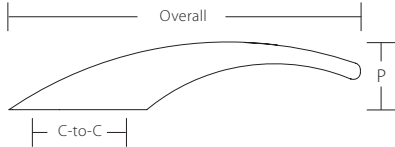






| ARMADIO PULL | Product Code | C-to-C | Overall | Projection(P) | List Price | Finish |
|--|--------------|--------|--|---------------|------------|---|
|  | 361- | 1 1/4" | 4 3/4" | 7/8" | \$23.00 |       |
| | | |  | | | |


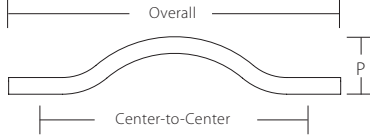






| ARMADIO ARCHED PULL | Product Code | C-to-C | Overall | Projection(P) | List Price | Finish |
|---|--------------------|---------|---|---------------|------------|---|
|  | 362- | 2 1/2" | 3 1/2" | 7/8" | \$22.00 |       |
| | 363- | 5" | 6 1/2" | 1" | \$27.00 | |
| 364- | 6 5/16" or 7 9/16" | 9 1/4" | 1" | \$35.00 | | |
| 365- | 11 1/4" or 12 1/2" | 14 1/4" | 1 1/8" | \$51.00 | | |
| | | |  | | | |






| CLASSICO PULL | Product Code | C-to-C | Overall | Projection(P) | List Price | Finish |
|---|--------------|---------|---|---------------|------------|---|
|  | 221- | 5 1/6" | 5 3/8" | 7/8" | \$23.00 |  |
| | 222- | 6 5/16" | 6 3/4" | 7/8" | \$28.00 | |
| | 223- | 7 1/2" | 8 1/8" | 7/8" | \$29.00 | |
| | 224- | 12 5/8" | 13 1/8" | 7/8" | \$37.00 | |
| | | |  | | | |

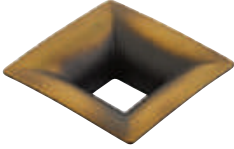

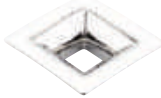
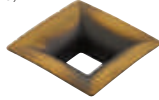
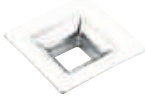

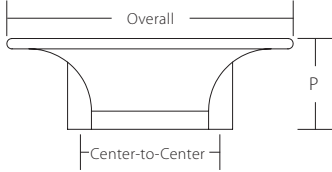
| WAVE PULL | Product Code | C-to-C | Overall | Projection(P) | List Price | Finish |
|---|--------------|---------|---|---------------|------------|--|
|  | 244-064- | 2 1/2" | 3 5/8" | 7/8" | \$25.00 |  |
| | 244-160- | 6 5/16" | 7 3/4" | 1" | \$42.00 | |
| | 244-192- | 7 1/2" | 9 1/4" | 1" | \$47.00 | |
| | 244-320- | 12 5/8" | 14 1/4" | 1" | \$67.00 | |
| | | |  | | | |







| REGATTA PULL | Product Code | C-to-C | Overall | Projection(P) | List Price | Finish |
|--|--------------|----------|---|---------------|------------|---|
|  | 370- | 5 1/6" | 7 1/4" | 1 1/8" | \$27.00 |  |
| | 371- | 8 3/4" | 11 1/8" | 1 1/8" | \$35.00 | |
| | 372- | 11 5/16" | 13 5/8" | 1 1/8" | \$41.00 | |
| | 373- | 12 5/8" | 14 7/8" | 1 1/8" | \$48.00 | |
| | | |  | | | |







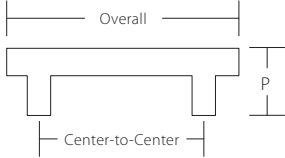
| SORRENTO TAPERED PULL | | Product Code | C-to-C | Overall | Projection(P) | List Price | Finish |
|---|---|--------------|--------|---------|---------------|------------|--|
|  | | 307- | 1 1/4" | 6 3/8" | 1 1/4" | \$25.00 | |
| |  | | | | | | |
| | | | | | | |  Satin Nickel (15)  Polished Chrome (26)  Black Chrome (BC) |
| | | | | | | |  Matte Black (MB)  Milano Bronze (MBZ)  Milano Silver (MSV) |




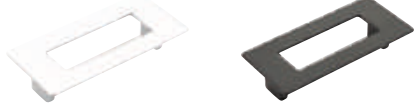
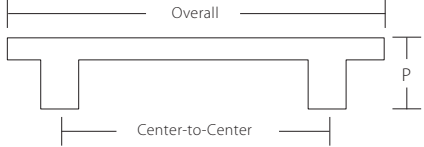
| SORRENTO BOWED PULL | | Product Code | C-to-C | Overall | Projection(P) | List Price | Finish |
|--|---|--------------|---------------------|---------|---------------|------------|---|
|  | | 308- | 3 3/4" or 5 1/16" | 5 1/2" | 1" | \$21.00 | |
| | | 309- | 6 5/16" or 7 9/16" | 8 1/4" | 1 1/8" | \$26.00 | |
| | | 310- | 11 5/16" or 12 5/8" | 13 3/8" | 1 1/8" | \$36.00 | |
| | | 311- | 17 5/8" or 18 7/8" | 19 5/8" | 1 1/4" | \$55.00 | |
| |  | | | | | | |
| | | | | | | |  Satin Nickel (15)  Polished Chrome (26) |
| | | | | | | |  Black Chrome (BC)  Matte Black (MB) |
| | | | | | | |  Milano Bronze (MBZ)  Milano Silver (MSV) |

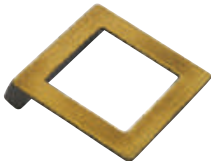

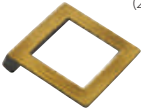
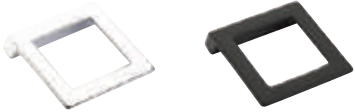
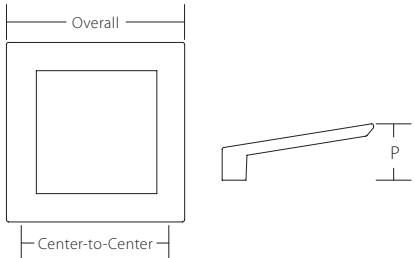
| SORRENTO PULL | | Product Code | C-to-C | Overall | Projection(P) | List Price | Finish |
|---|---|--------------|---------------------|---------|---------------|------------|---|
|  | | 312- | 3 3/4" or 5 1/16" | 5 3/8" | 1" | \$22.00 | |
| | | 313- | 6 5/16" or 7 9/16" | 7 7/8" | 1" | \$26.00 | |
| | | 314- | 11 5/16" or 12 5/8" | 13" | 1" | \$36.00 | |
| |  | | | | | | |
| | | | | | | |  Satin Nickel (15)  Polished Chrome (26) |
| | | | | | | |  Black Chrome (BC)  Matte Black (MB) |
| | | | | | | |  Milano Bronze (MBZ)  Milano Silver (MSV) |





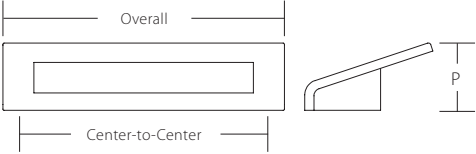
| FINISTRINO FLARED SQUARE PULL | Product Code | C-to-C | Overall | Projection(P) | List Price | Finish |
|---|---|--------|-----------------|---------------|------------|---|
|  | 440- | 1 1/4" | 2 3/4" x 2 3/4" | 3/4" | \$23.00 |  <p>Satin Nickel (15)</p>  <p>Polished Chrome (26)</p>  <p>Burnished Bronze (BRBZ)</p>  <p>Matte Chrome (M26)</p>  <p>Matte Black (MB)</p> |
| |  | | | | | |

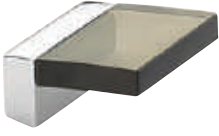

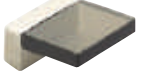
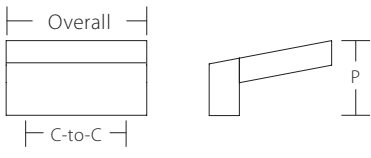

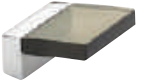

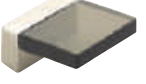
| FINISTRINO FLARED RECTANGULAR PULL | Product Code | C-to-C | Overall | Projection(P) | List Price | Finish |
|--|--------------|---------|-----------------|---------------|------------|---|
|  | 441- | 2 1/2" | 3 1/2" x 2 1/8" | 3/4" | \$26.00 |  <p>Satin Nickel (15)</p>  <p>Polished Chrome (26)</p>  <p>Burnished Bronze (BRBZ)</p>  <p>Matte Chrome (M26)</p>  <p>Matte Black (MB)</p> |
| | 442- | 6 5/16" | 7" x 2 1/8" | 3/4" | \$30.00 | |

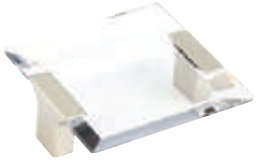
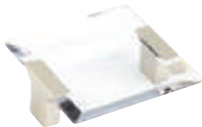
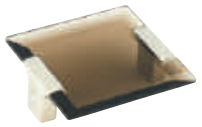
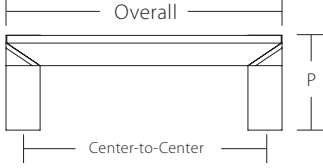
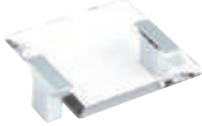
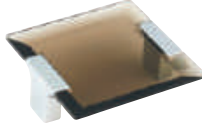

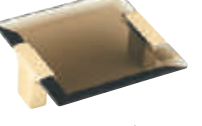
| FINISTRINO SQUARE PULL | Product Code | C-to-C | Overall | Projection(P) | List Price | Finish |
|---|---|--------|---------|---------------|------------|---|
|  | 443- | 2 1/2" | 3 1/2" | 7/8" | \$34.00 |  <p>Satin Nickel (15)</p>  <p>Polished Chrome (26)</p>  <p>Burnished Bronze (BRBZ)</p>  <p>Matte Chrome (M26)</p>  <p>Matte Black (MB)</p> |
| |  | | | | | |




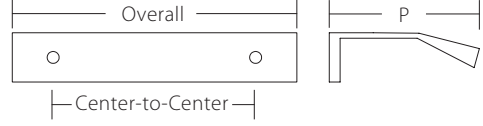




| FINISTRINO RECTANGULAR PULL | | Product Code | C-to-C | Overall | Projection(P) | List Price | Finish |
|---|--|--------------|--------|-----------------|---------------|------------|---|
|  | | 444- | 3 3/4" | 4 5/8" x 2 1/8" | 7/8" | \$30.00 |  Satin Nickel (15) Polished Chrome (26)  Burnished Bronze (BRBZ)  Matte Chrome (M26) Matte Black (MB) |
| | | 445- | 5 1/6" | 5 7/8" x 2 1/8" | 7/8" | \$35.00 | |
| | | 446- | 7 1/2" | 8 1/2" x 2 1/8" | 7/8" | \$38.00 | |
| |  | | | | | | |








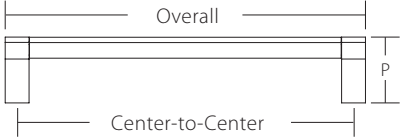
| FINISTRINO ANGLED SQUARE PULL | | Product Code | C-to-C | Overall | Projection(P) | List Price | Finish |
|---|--|--|--------|---------|---------------|------------|---|
|  | | 450- | 1 1/4" | 2 1/4" | 7/8" | \$22.00 |  Satin Nickel (15) Polished Chrome (26)  Burnished Bronze (BRBZ)  Matte Chrome (M26) Matte Black (MB) |
| | |  | | | | | |








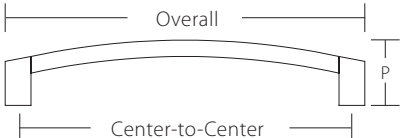
| FINISTRINO ANGLED RECTANGULAR PULL | | Product Code | C-to-C | Overall | Projection(P) | List Price | Finish |
|---|--|--|---------|-------------|---------------|------------|---|
|  | | 451- | 6 5/16" | 7" x 1 3/4" | 7/8" | \$28.00 |  Satin Nickel (15) Polished Chrome (26)  Burnished Bronze (BRBZ)  Matte Chrome (M26) Matte Black (MB) |
| | |  | | | | | |


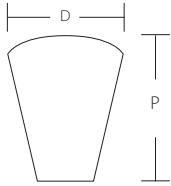






| POSITANO FINGER PULL | Product Code | C-to-C | Overall | Projection(P) | List Price | Finish |
|---|---|--------|-------------|---------------|------------|---|
|  | 319- | 1/2" | 1 1/4" x 1" | 1" | \$22.00 |  Satin Nickel Clear (15-CL)  Satin Nickel Smoke (15-SM) |
| |  | | | | |  Polished Chrome Clear (26-CL)  Polished Chrome Smoke (26-SM) |
| | | | | | |  Satin Brass Clear (SSB-CL)  Satin Brass Smoke (SSB-SM) |


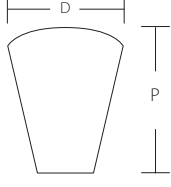






| POSITANO SQUARE PULL | Product Code | C-to-C | Overall | Projection(P) | List Price | Finish |
|---|---|--------|---------|---------------|------------|---|
|  | 315- | 2 1/2" | 2 7/8" | 1" | \$30.00 |  Satin Nickel Clear (15-CL)  Satin Nickel Smoke (15-SM) |
| |  | | | | |  Polished Chrome Clear (26-CL)  Polished Chrome Smoke (26-SM) |
| | | | | | |  Satin Brass Clear (SSB-CL)  Satin Brass Smoke (SSB-SM) |


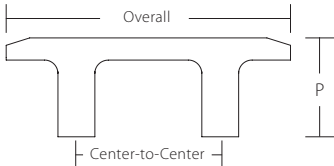






| POSITANO EDGE PULL | Product Code | C-to-C | Overall | Projection(P) | List Price | Finish |
|---|--------------|---------|---------|---------------|------------|---|
|  | 323- | 1 1/4" | 2 1/2" | 1 3/4" | \$25.00 |  Satin Nickel Clear (15-CL)  Satin Nickel Smoke (15-SM) |
| | 324- | 5 1/16" | 6 1/4" | 1 3/4" | \$38.00 | |
|  | | | | | |  Polished Chrome Clear (26-CL)  Polished Chrome Smoke (26-SM) |
| >> Standard US are Included for the Edge Pulls. | | | | | |  Satin Brass Clear (SSB-CL)  Satin Brass Smoke (SSB-SM) |


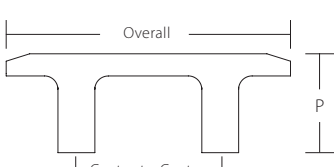






| POSITANO PULL | | Product Code | C-to-C | Overall | Projection(P) | List Price | Finish |
|---|------|---|-------------|---------|---------------|---|--------|
|  | 316- | 5 1/16" | 5 3/8" x 1" | 1" | \$29.00 |  <p>Satin Nickel Clear (15-CL)</p>  <p>Satin Nickel Smoke (15-SM)</p>  <p>Polished Chrome Clear (26-CL)</p>  <p>Polished Chrome Smoke (26-SM)</p>  <p>Satin Brass Clear (SSB-CL)</p>  <p>Satin Brass Smoke (SSB-SM)</p> | |
| | 317- | 6 5/16" | 6 5/8" x 1" | 1" | \$30.00 | | |
| | 318- | 12 5/8" | 13" x 1" | 1" | \$36.00 | | |
| | |  | | | | | |





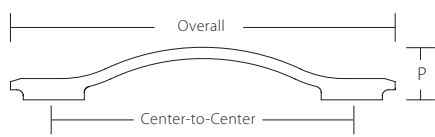
| POSITANO ARCHED PULL | | Product Code | C-to-C | Overall | Projection(P) | List Price | Finish |
|---|------|---|-------------|---------|---------------|---|--------|
|  | 320- | 5 1/16" | 5 3/8" x 1" | 1" | \$34.00 |  <p>Satin Nickel Clear (15-CL)</p>  <p>Satin Nickel Smoke (15-SM)</p>  <p>Polished Chrome Clear (26-CL)</p>  <p>Polished Chrome Smoke (26-SM)</p>  <p>Satin Brass Clear (SSB-CL)</p>  <p>Satin Brass Smoke (SSB-SM)</p> | |
| | 321- | 6 5/16" | 6 5/8" x 1" | 1" | \$35.00 | | |
| | 322- | 8 3/4" | 9 1/4" x 1" | 1" | \$37.00 | | |
| | |  | | | | | |





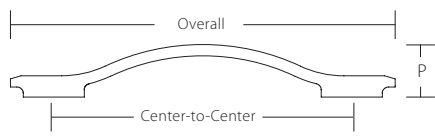
| SKYEVALE CRYSTAL KNOB | Product Code | Dimension(D) | Projection(P) | List Price | Finish |
|---|---|--------------|---------------|------------|--|
|  | 299- | 1/2" | 1" | \$17.00 | |
| |  | | | |  Satin Nickel (15)  Polished Chrome (26)  Black Chrome (BC) |
| | | | | |  Milano Bronze (MBZ)  Milano Silver (MSV)  Signature Satin Brass (SSB) |





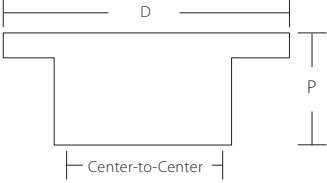
| SKYEVALE KNOB | Product Code | Dimension(D) | Projection(P) | List Price | Finish |
|---|--|--------------|---------------|------------|--|
|  | 300- | 1/2" | 1" | \$13.00 | |
| |  | | | |  Satin Nickel (15)  Polished Chrome (26)  Black Chrome (BC) |
| | | | | |  Milano Bronze (MBZ)  Milano Silver (MSV)  Signature Satin Brass (SSB) |





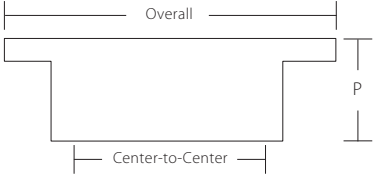
| SKYEVALE CRYSTAL PULL | Product Code | C-to-C | Overall | Projection(P) | List Price | Finish |
|--|---|--------|---------|---------------|---|--|
|  | 301- | 1 1/4" | 2 1/2" | 7/8" | \$29.00 | |
| |  | | | |  Satin Nickel (15)  Polished Chrome (26)  Black Chrome (BC) | |
| | | | | | |  Milano Bronze (MBZ)  Milano Silver (MSV)  Signature Satin Brass (SSB) |





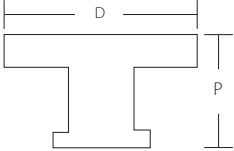
| SKYEVALE PULL | Product Code | C-to-C | Overall | Projection(P) | List Price | Finish |
|--|---|--------|---------|---------------|---|--|
|  | 304- | 1 1/4" | 2 1/2" | 7/8" | \$14.00 | |
| |  | | | |  Satin Nickel (15)  Polished Chrome (26)  Black Chrome (BC) | |
| | | | | | |  Milano Bronze (MBZ)  Milano Silver (MSV)  Signature Satin Brass (SSB) |





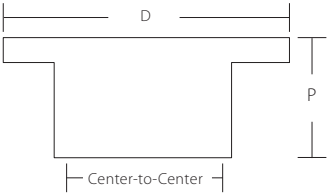
| SKYEVALE CRYSTAL ARCHED PULL | Product Code | C-to-C | Overall | Projection(P) | List Price | Finish |
|---|---|---------------------|---------|---------------|------------|--|
|  | 302- | 5 1/16" or 6 5/16" | 7 1/2" | 1 1/8" | \$57.00 |  <p>Satin Nickel (15) Polished Chrome (26)</p>  <p>Black Chrome (BC) Milano Bronze (MBZ)</p>  <p>Milano Silver (MSV) Signature Satin Brass (SSB)</p> |
| | 303- | 11 5/16" or 12 5/8" | 13 3/8" | 1 1/4" | \$97.00 | |
| |  | | | | | |





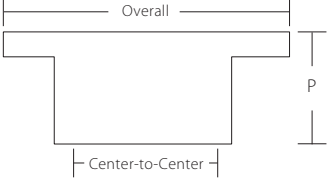
| SKYEVALE ARCHED PULL | Product Code | C-to-C | Overall | Projection(P) | List Price | Finish |
|---|---|---------------------|---------|---------------|------------|--|
|  | 305- | 5 1/16" or 6 5/16" | 7 1/2" | 1 1/8" | \$25.00 |  <p>Satin Nickel (15) Polished Chrome (26)</p>  <p>Black Chrome (BC) Milano Bronze (MBZ)</p>  <p>Milano Silver (MSV) Signature Satin Brass (SSB)</p> |
| | 306- | 11 5/16" or 12 5/8" | 13 3/8" | 1 1/4" | \$34.00 | |
| |  | | | | | |





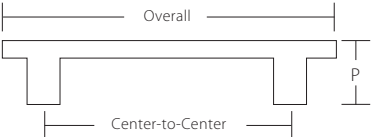
| MOSAIC SQUARE KNOB | Product Code | Dimension(D) | C-to-C | Projection(P) | List Price | Finish |
|---|---|--------------|--------|---------------|------------|--|
|  | 234- | 1 1/4" | 1 1/4" | 7/8" | \$25.00 |  Satin Nickel (15)  Polished Chrome (26)  French Antique Bronze (FAB) |
| |  | | | | | |



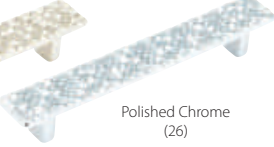

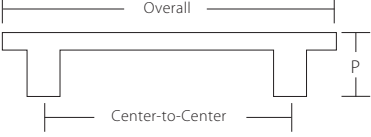
| MOSAIC RECTANGULAR KNOB | Product Code | C-to-C | Overall | Projection(P) | List Price | Finish |
|---|---|--------|-------------|---------------|------------|--|
|  | 235- | 1 1/4" | 1" x 1 7/8" | 7/8" | \$23.00 |  Satin Nickel (15)  Polished Chrome (26)  French Antique Bronze (FAB) |
| |  | | | | | |



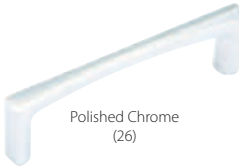

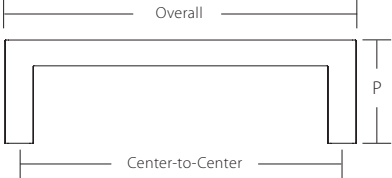
| MOSAIC SMALL ROUND KNOB | Product Code | Dimension(D) | Projection(P) | List Price | Finish |
|---|---|--------------|---------------|------------|--|
|  | 2370- | 1 1/8" | 3/4" | \$21.00 |  Satin Nickel (15)  Polished Chrome (26)  French Antique Bronze (FAB) |
| |  | | | | |




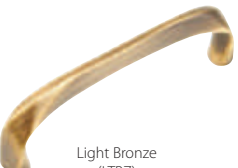
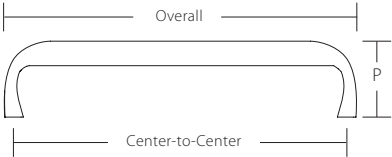
| MOSAIC LARGE ROUND KNOB | Product Code | Dimension(D) | C-to-C | Projection(P) | List Price | Finish |
|---|---|--------------|--------|---------------|------------|--|
|  | 2340- | 2" | 1 1/4" | 1" | \$25.00 |  Satin Nickel (15)  Polished Chrome (26)  French Antique Bronze (FAB) |
| |  | | | | | |


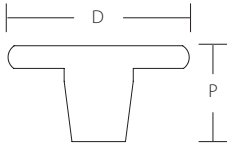



| MOSAIC HALF CIRCLE KNOB | Product Code | C-to-C | Overall | Projection(P) | List Price | Finish |
|---|---|--------|-------------|---------------|------------|--|
|  | 237- | 1 1/4" | 1" x 1 7/8" | 7/8" | \$22.00 |  Satin Nickel (15)  Polished Chrome (26)  French Antique Bronze (FAB) |
| |  | | | | | |


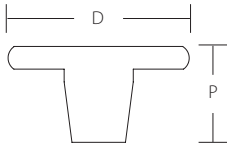









| MOSAIC ARCHED PULL | Product Code | C-to-C | Overall | Projection(P) | List Price | Finish |
|---|---|--------|---------|---------------|------------|--|
|  | 2360- | 3 3/4" | 5 1/4" | 7/8" | \$26.00 |  Satin Nickel (15)  Polished Chrome (26)  French Antique Bronze (FAB) |
| |  | | | | | |

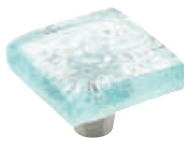
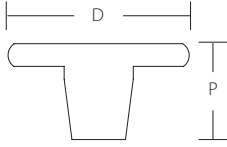

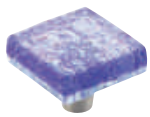

| MOSAIC PULL | Product Code | C-to-C | Overall | Projection(P) | List Price | Finish |
|---|--------------|---------|--------------|---------------|------------|--|
|  | 236- | 5 1/6" | 6 1/2" x 1" | 1" | \$26.00 |  Satin Nickel (15)  Polished Chrome (26)  French Antique Bronze (FAB) |
| | 233- | 12 5/8" | 14 1/2" x 1" | 1" | \$38.00 | |
|  | | | | | | |


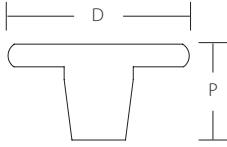









| ITALIAN CONTEMPORARY PULL | Product Code | C-to-C | Overall | Projection(P) | List Price | Finish |
|---|--|---------|---------|---------------|------------|---|
|  | 501- | 4" | 4 3/8" | 1 3/8" | \$38.00 |  <p data-bbox="1241 436 1318 474">Satin Nickel (15)</p>  <p data-bbox="1225 646 1334 684">Polished Chrome (26)</p>  <p data-bbox="1241 905 1318 942">Light Bronze (LTBZ)</p> |
| | 502- | 6" | 6 3/8" | 1 3/8" | \$42.00 | |
| | <i>Also available in Appliance Pull:</i> | | | | | |
| 503A- | 13 3/4" | 14 5/8" | 2 1/4" | \$650.00 | | |
|  | | | | | | |



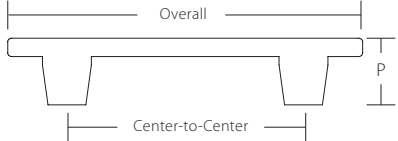
| ITALIAN CONTEMPORARY ROUNDED PULL | Product Code | C-to-C | Overall | Projection(P) | List Price | Finish |
|--|--|---------|---------|---------------|------------|---|
|  | 511- | 4" | 4 5/16" | 1 3/8" | \$38.00 |  <p data-bbox="1241 1371 1318 1409">Satin Nickel (15)</p>  <p data-bbox="1225 1591 1334 1629">Polished Chrome (26)</p>  <p data-bbox="1241 1812 1318 1850">Light Bronze (LTBZ)</p> |
| | 512- | 6" | 6 5/16" | 1 3/8" | \$42.00 | |
| | <i>Also available in Appliance Pull:</i> | | | | | |
| 513A- | 13 3/4" | 14 1/2" | 3 1/8" | \$719.00 | | |
|  <p data-bbox="533 1948 927 1976">>> Metric Screws are Included for the Appliance Pull.</p> | | | | | | |



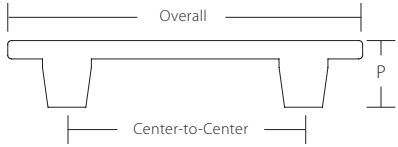
| ICE PEARL ROUND KNOB | Product Code | Dimension(D) | Projection(P) | List Price | Finish |
|---|--------------|---|---------------|------------|---|
|  | 31- | 1 1/2" | 1" | \$72.00 | |
| | |  | | |  Pearl Aqua (PAQ)  Pearl Blue (PBL)  Pearl Clear (PCL) |

| ICE ROUND KNOB | Product Code | Dimension(D) | Projection(P) | List Price | Finish |
|---|--------------|---|---------------|------------|--|
|  | 31- | 1 1/2" | 1" | \$61.00 | |
| | |  | | |  Confetti Orange (COO)  Confetti Turquoise (COT)  Confetti White Gray (CWG)  Ivory Silk (IVS)  Scarlet Silk (SCS)  Sapphire Silk (SPS)  White Lace Pebbles (WLP)  Green Blue Pebbles (GBP)  Sable Pebbles (SBP) |

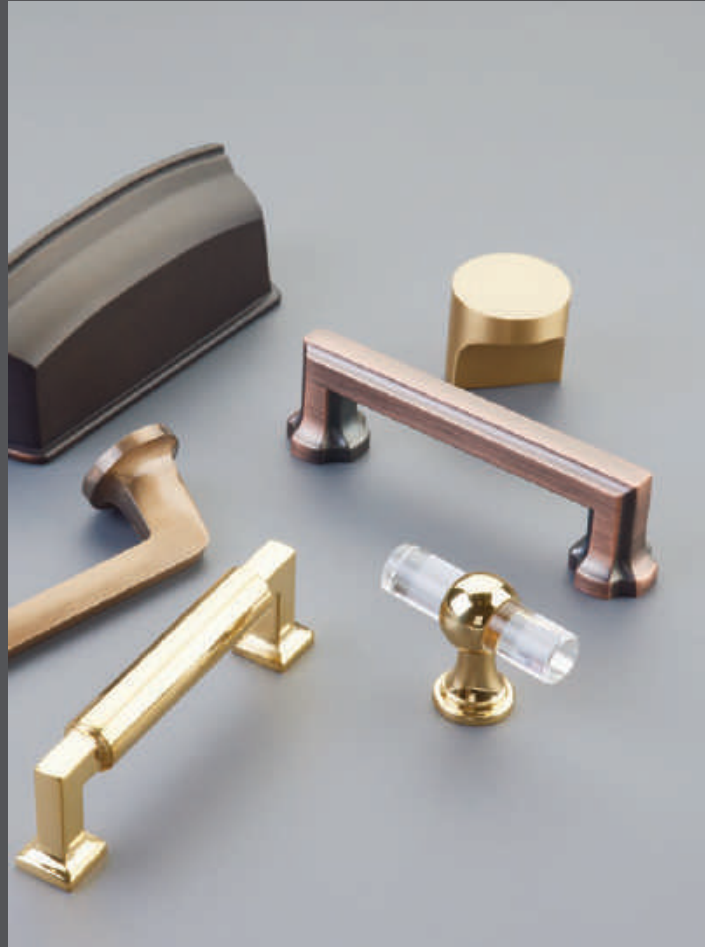
| ICE PEARL SQUARE KNOB | Product Code | Dimension(D) | Projection(P) | List Price | Finish |
|---|--------------|---|---------------|------------|---|
|  | 34- | 1 1/2" | 1" | \$72.00 | |
| | |  | | |  Pearl Aqua (PAQ)  Pearl Blue (PBL)  Pearl Clear (PCL) |

| ICE SQUARE KNOB | Product Code | Dimension(D) | Projection(P) | List Price | Finish |
|---|--------------|---|---------------|------------|--|
|  | 34- | 1 1/2" | 1" | \$61.00 | |
| | |  | | |  Confetti Orange (COO)  Confetti Turquoise (COT)  Confetti White Gray (CWG)  Ivory Silk (IVS)  Scarlet Silk (SCS)  Sapphire Silk (SPS)  White Lace Pebbles (WLP)  Green Blue Pebbles (GBP)  Sable Pebbles (SBP) |


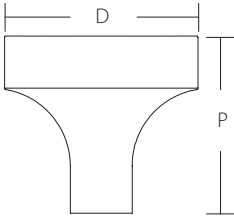

| ICE PEARL PULL | Product Code | C-to-C | Overall | Projection(P) | List Price | Finish |
|---|--------------|--------|---------|---------------|------------|--|
|  | 30- | 3" | 4 1/2" | 1" | \$137.00 |  <p>Pearl Aqua (PAQ)</p> <p>Pearl Blue (PBL)</p> <p>Pearl Clear (PCL)</p> |
|  | | | | | | |


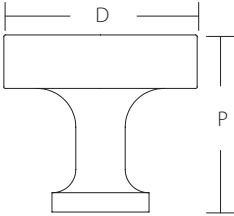

| ICE PULL | Product Code | C-to-C | Overall | Projection(P) | List Price | Finish |
|---|--------------|--------|---------|---------------|------------|--|
|  | 30- | 3" | 4 1/2" | 1" | \$119.00 |  <p>Confetti Orange (COO)</p> <p>Confetti Turquoise (COT)</p> <p>Confetti White Gray (CWG)</p> <p>Ivory Silk (IVS)</p> <p>Scarlet Silk (SCS)</p> <p>Sapphire Silk (SPS)</p> <p>White Lace Pebbles (WLP)</p> <p>Green Blue Pebbles (GBP)</p> <p>Sable Pebbles (SBP)</p> |
|  | | | | | | |


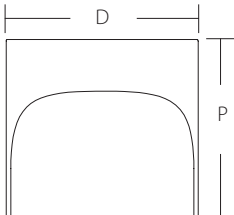

TRANSITIONAL


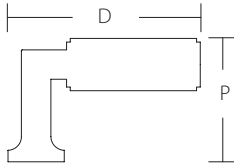
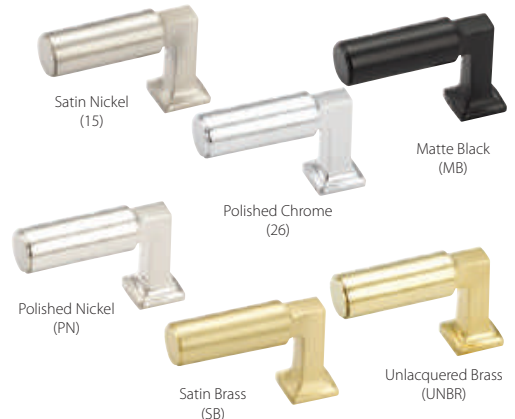



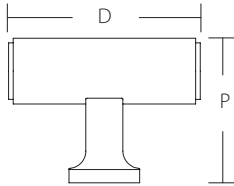

Transitional designs combine the best of both traditional and contemporary styles. Clean lines and rounded profiles help to balance beveled edges, while modern finishes provide an elegant and subtle look.


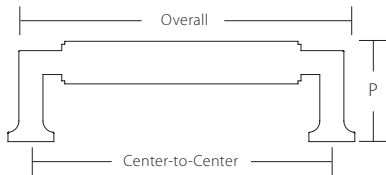

| HANIBURTON ROUND KNOB | Product Code | Dimension(D) | Projection(P) | List Price | Finish |
|---|--------------|--------------|---------------|------------|---|
|  | 470- | 1 1/4" | 1 1/8" | \$27.00 | |
| | | | | |  |
|  | | | | | |

| HANIBURTON ROUND KNOB WITH SQUARE BASE | Product Code | Dimension(D) | Projection(P) | List Price | Finish |
|--|--------------|--------------|---------------|------------|---|
|  | 469- | 1 1/4" | 1 1/8" | \$36.00 | |
| | | | | |  |
|  | | | | | |


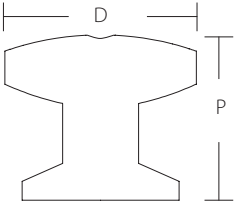








| HANIBURTON ROUND T-KNOB | Product Code | Dimension(D) | Projection(P) | List Price | Finish |
|---|--------------|--------------|---------------|------------|---|
|  | 471- | 1 1/4" | 1 1/8" | \$36.00 | |
| | | | | |  |
|  | | | | | |







| HANIBURTON FINGER PULL | | Product Code | Dimension(D) | Projection(P) | List Price | Finish |
|---|---|---|--------------|---------------|------------|--------|
|  | | 472- | 2" | 1 3/8" | \$40.00 | |
| |  |  | | | | |


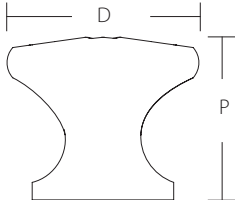

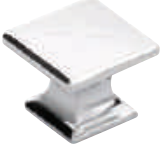



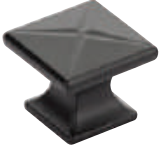
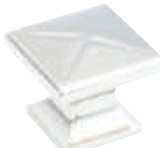

| HANIBURTON T-KNOB | | Product Code | Dimension(D) | Projection(P) | List Price | Finish |
|--|--|--|--------------|---------------|------------|--------|
|  | | 473- | 1 5/8" | 1 1/4" | \$40.00 | |
| |  |  | | | | |


| HANIBURTON PULL | | Product Code | C-to-C | Overall | Projection(P) | List Price | Finish | |
|---|---|---|--------|---------|---------------|------------|--------|--|
|  | | 477- | 3 1/2" | 4 1/8" | 1 1/4" | \$52.00 | | |
| | | 474- | 4" | 4 5/8" | 1 1/4" | \$57.00 | | |
| | | 475- | 5" | 5 5/8" | 1 1/4" | \$64.00 | | |
| | | 476- | 6" | 6 5/8" | 1 1/4" | \$69.00 | | |
| | | 478- | 8" | 8 5/8" | 1 1/2" | \$87.00 | | |
| | | 480- | 10" | 10 5/8" | 1 1/2" | \$104.00 | | |
| | | 481- | 12" | 12 5/8" | 1 1/2" | \$127.00 | | |
| | | <i>Also available in Appliance Pulls:</i> | | | | | | |
| | | 482- | 12" | 13" | 1 7/8" | \$316.00 | | |
| | | 479- | 15" | 16" | 1 7/8" | \$397.00 | | |
| | 483- | 18" | 19" | 1 7/8" | \$479.00 | | | |
| |  |  | | | | | | |

NORTHPORT



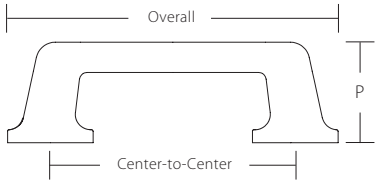
| NORTHPORT ROUND KNOB | Product Code | Dimension(D) | Projection(P) | List Price | Finish |
|---|--------------|--------------|---------------|------------|--|
|  | 210- | 1 3/8" | 1 1/8" | \$23.00 |  <div style="display: flex; flex-wrap: wrap; justify-content: space-around;"> <div style="text-align: center;">  Satin Nickel (15) </div> <div style="text-align: center;">  Polished Chrome (26) </div> <div style="text-align: center;">  Ancient Bronze (ABZ) </div> <div style="text-align: center;">  Brushed Bronze (BBZ) </div> <div style="text-align: center;">  Brushed Nickel (BN) </div> <div style="text-align: center;">  Matte Black (MB) </div> <div style="text-align: center;">  Polished Nickel (PN) </div> <div style="text-align: center;">  Signature Satin Brass (SSB) </div> </div> |



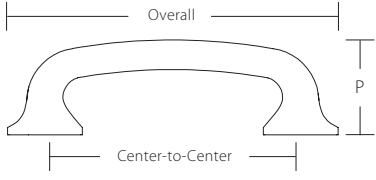
| NORTHPORT SMOOTH ROUND KNOB | Product Code | Dimension(D) | Projection(P) | List Price | Finish |
|---|--------------|--------------|---------------|------------|--|
|  | 211- | 1 3/8" | 1 1/8" | \$23.00 |  <div style="display: flex; flex-wrap: wrap; justify-content: space-around;"> <div style="text-align: center;">  Satin Nickel (15) </div> <div style="text-align: center;">  Polished Chrome (26) </div> <div style="text-align: center;">  Ancient Bronze (ABZ) </div> <div style="text-align: center;">  Brushed Bronze (BBZ) </div> <div style="text-align: center;">  Brushed Nickel (BN) </div> <div style="text-align: center;">  Matte Black (MB) </div> <div style="text-align: center;">  Polished Nickel (PN) </div> <div style="text-align: center;">  Signature Satin Brass (SSB) </div> </div> |

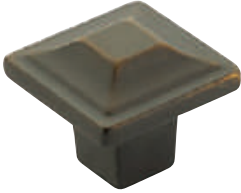

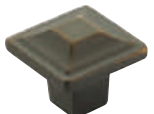




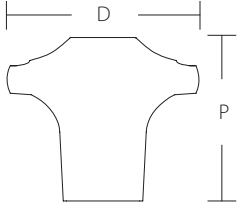
| NORTHPORT SQUARE KNOB | Product Code | Dimension(D) | Projection(P) | List Price | Finish |
|---|--------------|--------------|---------------|------------|--|
|  | 215- | 1 3/8" | 1 1/8" | \$23.00 |  <div style="display: flex; flex-wrap: wrap; justify-content: space-around;"> <div style="text-align: center;">  Satin Nickel (15) </div> <div style="text-align: center;">  Polished Chrome (26) </div> <div style="text-align: center;">  Ancient Bronze (ABZ) </div> <div style="text-align: center;">  Brushed Bronze (BBZ) </div> <div style="text-align: center;">  Brushed Nickel (BN) </div> <div style="text-align: center;">  Matte Black (MB) </div> <div style="text-align: center;">  Polished Nickel (PN) </div> <div style="text-align: center;">  Signature Satin Brass (SSB) </div> </div> |








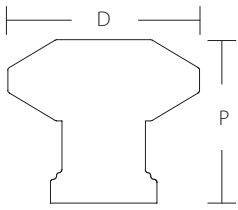
| NORTHPORT SMOOTH SQUARE KNOB | Product Code | Dimension(D) | Projection(P) | List Price | Finish |
|---|--------------|--------------|---------------|------------|--|
|  | 219- | 1 3/8" | 1 1/8" | \$23.00 |  <div style="display: flex; flex-wrap: wrap; justify-content: space-around;"> <div style="text-align: center;">  Satin Nickel (15) </div> <div style="text-align: center;">  Polished Chrome (26) </div> <div style="text-align: center;">  Ancient Bronze (ABZ) </div> <div style="text-align: center;">  Brushed Bronze (BBZ) </div> <div style="text-align: center;">  Brushed Nickel (BN) </div> <div style="text-align: center;">  Matte Black (MB) </div> <div style="text-align: center;">  Polished Nickel (PN) </div> <div style="text-align: center;">  Signature Satin Brass (SSB) </div> </div> |

NORTHPORT


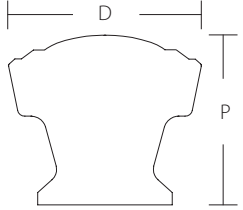







| NORTHPORT PULL WITH ROUND BASES | | Product Code | C-to-C | Overall | Projection(P) | List Price | Finish | |
|--|--|--------------|---|---------|---------------|--|--------|--|
|  | 200- | 3 1/2" | 4 1/4" | 1 3/8" | \$18.00 |  | | |
| | 201- | 4" | 4 3/4" | 1 3/8" | \$21.00 | | | |
| | 212- | 5" | 5 3/4" | 1 1/2" | \$23.00 | | | |
| | 202- | 6" | 7" | 1 1/2" | \$26.00 | | | |
| | 213- | 8" | 9" | 1 1/2" | \$30.00 | | | |
| | 203- | 10" | 11" | 1 1/2" | \$40.00 | | | |
| | 204- | 12" | 13" | 1 1/2" | \$51.00 | | | |
| | <i>Also available in Appliance Pull:</i> | | | | | | | |
| | 214- | 15" | 16" | 1 7/8" | \$227.00 | | | |
| | | |  | | | | | |


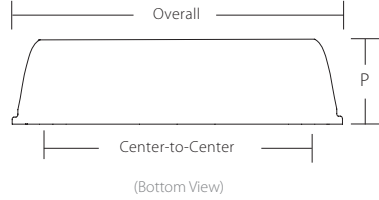







| NORTHPORT PULL WITH SQUARE BASES | | Product Code | C-to-C | Overall | Projection(P) | List Price | Finish | |
|--|--|--------------|---|---------|---------------|---|--------|--|
|  | 205- | 3 1/2" | 4 1/2" | 1 3/8" | \$18.00 |  | | |
| | 206- | 4" | 5" | 1 3/8" | \$21.00 | | | |
| | 216- | 5" | 6" | 1 1/2" | \$23.00 | | | |
| | 207- | 6" | 7" | 1 1/2" | \$26.00 | | | |
| | 217- | 8" | 9" | 1 1/2" | \$30.00 | | | |
| | 208- | 10" | 11" | 1 1/2" | \$40.00 | | | |
| | 209- | 12" | 13" | 1 1/2" | \$51.00 | | | |
| | <i>Also available in Appliance Pull:</i> | | | | | | | |
| | 218- | 15" | 16 3/8" | 1 7/8" | \$227.00 | | | |
| | | |  | | | | | |






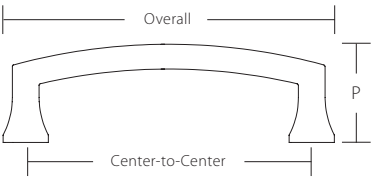
| MENLO PARK SQUARE KNOB | Product Code | Dimension(D) | Projection(P) | List Price | Finish |
|---|---|--------------|---------------|------------|--|
|  | 530- | 1 1/4" | 1" | \$23.00 |        |
| |  | | | | |






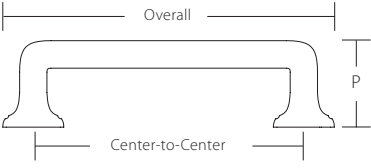
| MENLO PARK FACETED KNOB | Product Code | Dimension(D) | Projection(P) | List Price | Finish |
|--|---|--------------|---------------|------------|--|
|  | 531- | 1 1/4" | 1" | \$23.00 |        |
| |  | | | | |


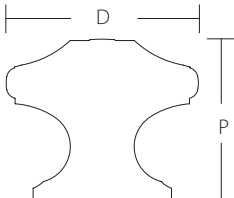










| MENLO PARK RIDGED KNOB | Product Code | Dimension(D) | Projection(P) | List Price | Finish |
|---|---|--------------|---------------|------------|--|
|  | 532- | 1 1/4" | 1 1/8" | \$23.00 |        |
| |  | | | | |


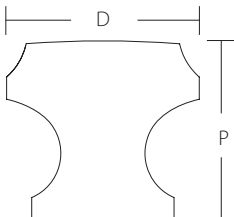










| MENLO PARK STEPPED ROUND KNOB | Product Code | Dimension(D) | Projection(P) | List Price | Finish |
|---|---|--------------|---------------|------------|---|
|  | 533- | 1 ¼" | 1 ⅛" | \$23.00 | |
| |  | | | |  <p>Satin Nickel (15)</p>  <p>Polished Chrome (26)</p>  <p>Ancient Bronze (ABZ)</p>  <p>Brushed Nickel (BN)</p>  <p>Matte Black (MB)</p>  <p>Polished Nickel (PN)</p>  <p>Signature Satin Brass (SSB)</p> |



| MENLO PARK CUP PULL | Product Code | C-to-C | Overall | Projection(P) | List Price | Finish |
|--|---|--------|---------|---------------|--|--------|
|  | 534- | 3 ½" | 4 ½" | 1 ¼" | \$24.00 | |
| |  | | | |  <p>Satin Nickel (15)</p>  <p>Polished Chrome (26)</p>  <p>Ancient Bronze (ABZ)</p>  <p>Brushed Nickel (BN)</p>  <p>Matte Black (MB)</p>  <p>Polished Nickel (PN)</p>  <p>Signature Satin Brass (SSB)</p> | |


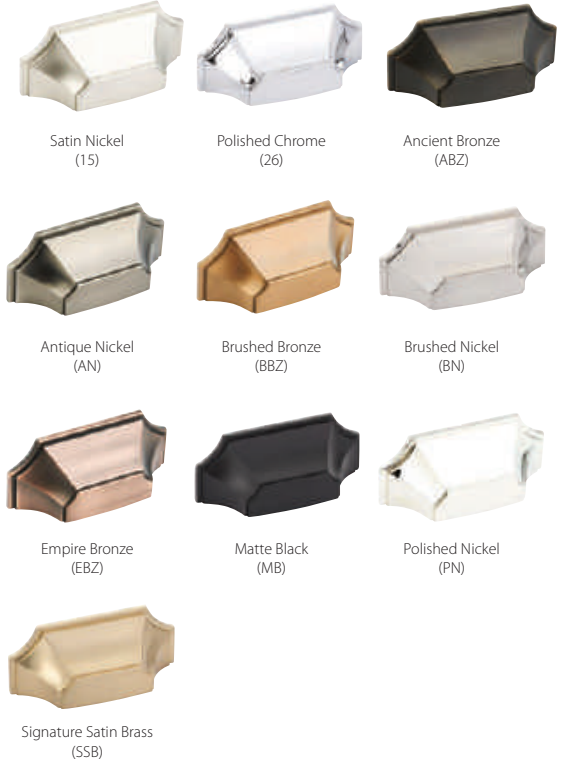
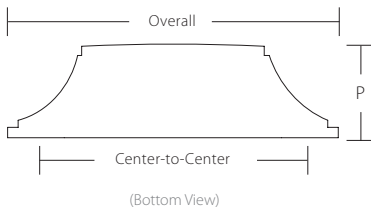
| MENLO PARK ARCHED PULL | | | | | | Finish |
|---|--------|---------|---------------|------------|--|--|
| Product Code | C-to-C | Overall | Projection(P) | List Price | | |
| 526- | 3 1/2" | 4" | 1 1/4" | \$18.00 | |  <p>Satin Nickel (15) Polished Chrome (26)</p> |
| 542- | 4" | 4 1/2" | 1 1/4" | \$21.00 | | |
| 527- | 5" | 5 1/2" | 1 1/4" | \$23.00 | | |
| 541- | 6" | 6 1/2" | 1 1/4" | \$26.00 | | |
| 540- | 8" | 8 1/2" | 1 1/4" | \$30.00 | | |
| 528- | 10" | 10 1/2" | 1 1/4" | \$40.00 | | |
| 529- | 12" | 12 1/2" | 1 1/4" | \$51.00 | | |
| <i>Also available in Appliance Pull:</i> | | | | | | |
| 539- | 15" | 16 1/8" | 2" | \$227.00 | |  <p>Ancient Bronze (ABZ) Brushed Nickel (BN)</p> |
|  | | | | | |  <p>Matte Black (MB) Polished Nickel (PN)</p> |
| | | | | | |  <p>Signature Satin Brass (SSB)</p> |
|  | | | | | | |

| MENLO PARK PULL | | | | | | Finish |
|---|--------|---------|---------------|------------|--|--|
| Product Code | C-to-C | Overall | Projection(P) | List Price | | |
| 522- | 3 1/2" | 4" | 1 1/4" | \$18.00 | |  <p>Satin Nickel (15) Polished Chrome (26)</p> |
| 538- | 4" | 4 3/4" | 1 1/4" | \$21.00 | | |
| 523- | 5" | 5 3/4" | 1 1/4" | \$23.00 | | |
| 537- | 6" | 6 3/4" | 1 1/4" | \$26.00 | | |
| 536- | 8" | 8 3/4" | 1 1/4" | \$30.00 | | |
| 524- | 10" | 10 3/4" | 1 1/4" | \$40.00 | | |
| 525- | 12" | 12 3/4" | 1 1/4" | \$51.00 | | |
| <i>Also available in Appliance Pull:</i> | | | | | | |
| 535- | 15" | 16 1/4" | 1 7/8" | \$227.00 | |  <p>Ancient Bronze (ABZ) Brushed Nickel (BN)</p> |
|  | | | | | |  <p>Matte Black (MB) Polished Nickel (PN)</p> |
| | | | | | |  <p>Signature Satin Brass (SSB)</p> |
|  | | | | | | |


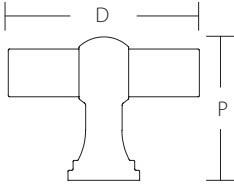






| EMPIRE ROUND KNOB | Product Code | Dimension(D) | Projection(P) | List Price | Finish |
|---|--------------|--------------|---------------|------------|--|
|  | 876- | 1 3/8" | 1 1/8" | \$23.00 |  <div style="display: flex; flex-wrap: wrap; justify-content: space-around;"> <div style="text-align: center;">  Satin Nickel (15) </div> <div style="text-align: center;">  Polished Chrome (26) </div> <div style="text-align: center;">  Ancient Bronze (ABZ) </div> <div style="text-align: center;">  Antique Nickel (AN) </div> <div style="text-align: center;">  Brushed Bronze (BBZ) </div> <div style="text-align: center;">  Brushed Nickel (BN) </div> <div style="text-align: center;">  Empire Bronze (EBZ) </div> <div style="text-align: center;">  Matte Black (MB) </div> <div style="text-align: center;">  Polished Nickel (PN) </div> <div style="text-align: center;">  Signature Satin Brass (SSB) </div> </div> |


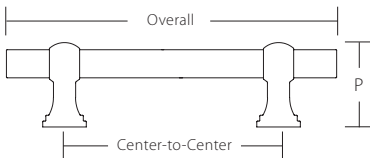






| EMPIRE SQUARE KNOB | Product Code | Dimension(D) | Projection(P) | List Price | Finish |
|---|--------------|--------------|---------------|------------|--|
|  | 882- | 1 3/8" | 1 1/8" | \$23.00 |  <div style="display: flex; flex-wrap: wrap; justify-content: space-around;"> <div style="text-align: center;">  Satin Nickel (15) </div> <div style="text-align: center;">  Polished Chrome (26) </div> <div style="text-align: center;">  Ancient Bronze (ABZ) </div> <div style="text-align: center;">  Antique Nickel (AN) </div> <div style="text-align: center;">  Brushed Bronze (BBZ) </div> <div style="text-align: center;">  Brushed Nickel (BN) </div> <div style="text-align: center;">  Empire Bronze (EBZ) </div> <div style="text-align: center;">  Matte Black (MB) </div> <div style="text-align: center;">  Polished Nickel (PN) </div> <div style="text-align: center;">  Signature Satin Brass (SSB) </div> </div> |


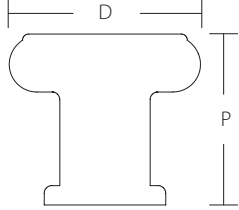



| EMPIRE PULL | | Product Code | C-to-C | Overall | Projection(P) | List Price | Finish | |
|---|--|--------------|--------|---------|---------------|------------|---|----------|
|  | | 883- | 3 1/2" | 4 3/8" | 1 1/4" | \$18.00 |  | |
| | | 877- | 4" | 4 7/8" | 1 1/4" | \$21.00 | | |
| | | 884- | 5" | 5 7/8" | 1 1/4" | \$23.00 | | |
| | | 885- | 6" | 6 7/8" | 1 1/4" | \$26.00 | | |
| | | 879- | 8" | 8 7/8" | 1 1/4" | \$30.00 | | |
| | | 886- | 10" | 10 7/8" | 1 1/4" | \$40.00 | | |
| | | 887- | 12" | 12 7/8" | 1 1/4" | \$51.00 | | |
| | <p><i>Also available in Appliance Pulls:</i></p> | | | | | | | |
| | | | 880- | 12" | 13 1/8" | 1 5/8" | | \$207.00 |
| | | | 881- | 15" | 16" | 1 5/8" | | \$227.00 |
|  | | | | | | | | |


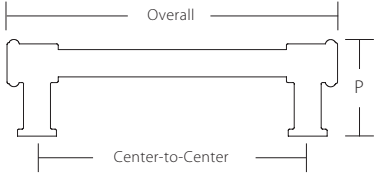
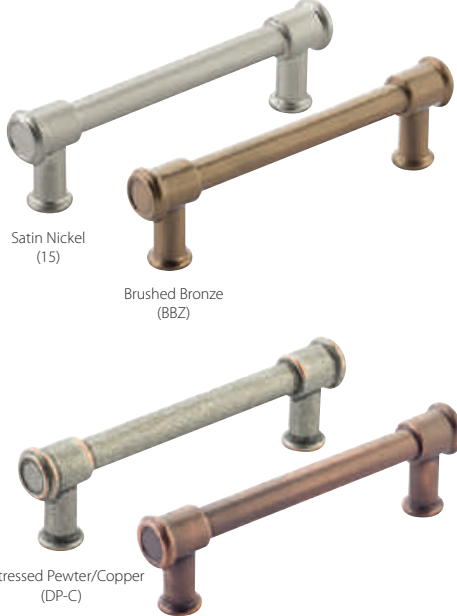
| EMPIRE CUP PULL | | Product Code | C-to-C | Overall | Projection(P) | List Price | Finish | |
|---|---|--------------|--------|-----------------|---------------|------------|--|--|
|  | | 878- | 3" | 4 3/8" x 1 7/8" | 1 1/4" | \$24.00 |  | |
| |  | | | | | | | |

LUMIERE TRANSITIONAL

| LUMIERE TRANSITIONAL T-KNOB | Product Code | Dimension(D) | Projection(P) | List Price | Finish |
|---|--------------|--------------|---------------|------------|---|
|  <p>Adjustable Acrylic</p>  | 411- | 2" | 1 ¼" | \$26.00 |  Polished Brass (03)  Satin Nickel (15) |
| | | | | |  Polished Chrome (26)  Polished Nickel (PN)  Polished Rose Gold (PRG)  Satin Brass (SB) |

| LUMIERE TRANSITIONAL PULL | Product Code | C-to-C | Overall | Projection(P) | List Price | Finish |
|---|--|--------|---------|---------------|------------|---|
|  <p>Adjustable Acrylic</p>  | 414- | 4" | 6" | 1 ¼" | \$53.00 |  Polished Brass (03)  Satin Nickel (15)  Polished Chrome (26)  Polished Nickel (PN)  Polished Rose Gold (PRG)  Satin Brass (SB) |
| | 416- | 6" | 8" | 1 ¼" | \$62.00 | |
| | 418- | 8" | 10" | 1 ¼" | \$76.00 | |
| | <i>Also available in Appliance Pull:</i> | | | | | |
| | 412- | 12" | 15" | 2 ¼" | \$207.00 | |



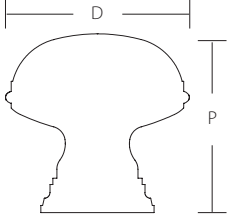
| STEAMWORKS ROUND KNOB | | Product Code | Dimension(D) | Projection(P) | List Price | Finish | |
|---|-----|--------------|--------------|---------------|---|--|--|
|  | 78- | 1 1/4" | 1" | \$17.00 |  |  Satin Nickel (15) |  Brushed Bronze (BBZ) |
| | | | | | | |  Distressed Pewter/Copper (DP-C) |



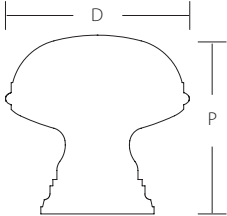
| STEAMWORKS PULL | | Product Code | C-to-C | Overall | Projection(P) | List Price | Finish |
|---|---|--------------|---------|---------|---------------|---|--|
|  | 79- | 3 3/4" | 4 1/2" | 1 1/4" | \$17.00 |  |  |
| | 79-6- | 6" | 7" | 1 1/4" | \$26.00 | | |
| | 79-8- | 8" | 9" | 1 3/8" | \$30.00 | | |
| | <i>Also available in Appliance Pulls:</i> | | | | | | |
| | 79-12- | 12" | 13 7/8" | 2" | \$207.00 | | |
| | 79-15- | 15" | 17" | 2 1/4" | \$227.00 | | |



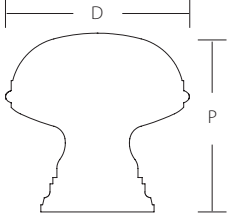
TRADITIONAL






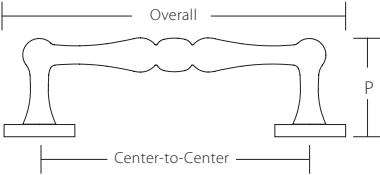







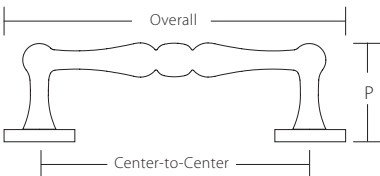
Traditional designs include elegant accents and familiar, timeless shapes. Elements of classic European architecture emerge in Traditional design, including adorned engravings, antique silhouettes, rich metallic hues and baroque textures.

| ATHERTON HAMMERED PLAIN EDGE KNOB | Product Code | Dimension(D) | Projection(P) | List Price | Finish |
|---|--------------|--------------|---------------|------------|---|
|  | 570- | 1 ¼" | 1 ⅝" | \$50.00 |  |
|  | | | | | |

| ATHERTON HAMMERED KNURLED EDGE KNOB | Product Code | Dimension(D) | Projection(P) | List Price | Finish |
|---|--------------|--------------|---------------|------------|--|
|  | 571- | 1 ¼" | 1 ⅝" | \$57.00 |  |
|  | | | | | |

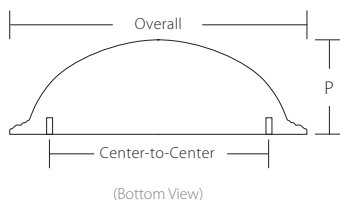
| ATHERTON PLAIN SURFACE KNURLED EDGE KNOB | Product Code | Dimension(D) | Projection(P) | List Price | Finish |
|---|--------------|--------------|---------------|------------|---|
|  | 572- | 1 ¼" | 1 ⅝" | \$47.00 |  |
|  | | | | | |

| ATHERTON PULL WITH KNURLED FOOTPLATES | | Product Code | C-to-C | Overall | Projection(P) | List Price | Finish |
|---|--|--------------|---------|---------|---------------|---|--------|
|  | 576- | 4" | 5 1/2" | 1 1/4" | \$99.00 |  Oil Rubbed Bronze (10B)  Polished Chrome (26)  Polished Nickel (PN)  Satin Brass (SB) | |
| | 577- | 8" | 9 1/4" | 1 1/2" | \$152.00 | | |
| | <i>Also available in Appliance Pull:</i> | | | | | | |
| | 578- | 15" | 16 1/2" | 2" | \$290.00 | | |
|  | | | | | | | |

| ATHERTON PULL WITH PLAIN FOOTPLATES | | Product Code | C-to-C | Overall | Projection(P) | List Price | Finish |
|---|--|--------------|---------|---------|---------------|---|--------|
|  | 579- | 4" | 5 1/2" | 1 1/4" | \$90.00 |  Oil Rubbed Bronze (10B)  Polished Chrome (26)  Polished Nickel (PN)  Satin Brass (SB) | |
| | 580- | 8" | 9 1/4" | 1 1/2" | \$139.00 | | |
| | <i>Also available in Appliance Pull:</i> | | | | | | |
| | 581- | 15" | 16 1/2" | 2" | \$273.00 | | |
|  | | | | | | | |

ATHERTON HAMMERED PLAIN EDGE CUP PULL

| Product Code | C-to-C | Overall | Projection(P) | List Price |
|--------------|--------|-------------|---------------|------------|
| 573- | 3" | 4 1/2" x 2" | 1 1/2" | \$60.00 |



Oil Rubbed Bronze (10B)

Polished Chrome (26)

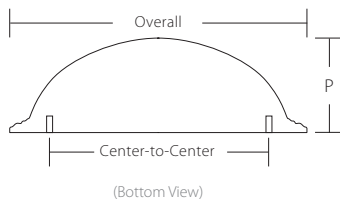


Polished Nickel (PN)

Satin Brass (SB)

ATHERTON HAMMERED KNURLED EDGE CUP PULL

| Product Code | C-to-C | Overall | Projection(P) | List Price |
|--------------|--------|-------------|---------------|------------|
| 574- | 3" | 4 1/2" x 2" | 1 1/2" | \$62.00 |



Oil Rubbed Bronze (10B)

Polished Chrome (26)

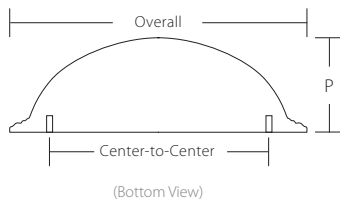


Polished Nickel (PN)

Satin Brass (SB)

ATHERTON PLAIN SURFACE KNURLED EDGE CUP PULL

| Product Code | C-to-C | Overall | Projection(P) | List Price |
|--------------|--------|-------------|---------------|------------|
| 575- | 3" | 4 1/2" x 2" | 1 1/2" | \$55.00 |



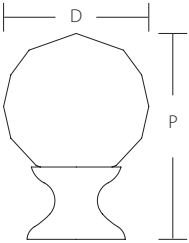
Oil Rubbed Bronze (10B)


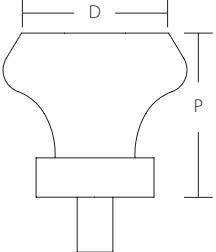




Polished Chrome (26)


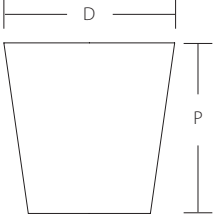







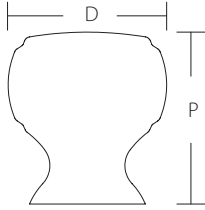




Polished Nickel (PN)


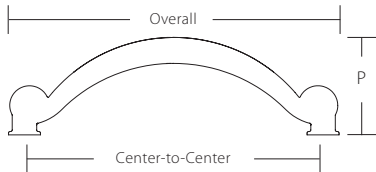




Satin Brass (SB)

| STARGAZE ROUND GLASS KNOB | Product Code | Dimension(D) | Projection(P) | List Price | Finish |
|---|---|--------------|---------------|------------|--|
|  | 70-CS- | 1 1/8" | 1 5/8" | \$29.00 | |
| |  | | | |  Polished Brass (03)  Satin Nickel (15)  Bronze (BZ)  Polished Nickel (PN) |


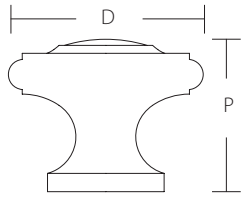




































| STARGAZE OCTAGONAL GLASS KNOB | Product Code | Dimension(D) | Projection(P) | List Price | Finish |
|---|---|--------------|---------------|------------|---|
|  | 71-C- | 1 1/4" | 1 1/8" | \$29.00 | |
| |  | | | |  Polished Brass (03)  Satin Nickel (15)  Bronze (BZ)  Polished Nickel (PN) |


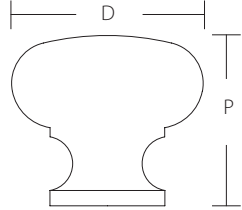



































| STARGAZE CYLINDER GLASS KNOB | Product Code | Dimension(D) | Projection(P) | List Price | Finish |
|---|---|--------------|---------------|------------|--|
|  | 72-C- | 1 1/16" | 1 1/16" | \$22.00 | |
| |  | | | |  Polished Brass (03)  Satin Nickel (15)  Bronze (BZ)  Polished Nickel (PN) |


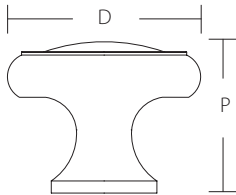




































| CABRIOLE KNOB | | Product Code | Dimension(D) | Projection(P) | List Price | Finish | |
|---|-----|--------------|--------------|---------------|---|--|---|
|  | 63- | 1 1/8" | 1" | \$17.00 |  |  Antique Nickel (AN) |  Brushed Bronze (BBZ) |
| | | | | | |  Empire Bronze (EBZ) |  Polished Nickel (PN) |


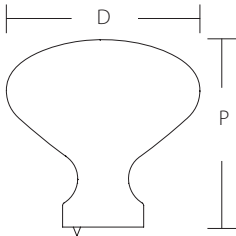




































| CABRIOLE PULL | | Product Code | C-to-C | Overall | Projection(P) | List Price | Finish | |
|---|--|--------------|--------|---------|---------------|---|---|---|
|  | 64- | 3 3/4" | 4 1/2" | 1 1/4" | \$17.00 |  |  Antique Nickel (AN) | |
| | 64-6- | 6" | 7" | 1 1/4" | \$26.00 | | |  Brushed Bronze (BBZ) |
| | 64-8- | 8" | 9" | 1 3/8" | \$30.00 | | |  Empire Bronze (EBZ) |
| | <i>Also available in Appliance Pull:</i> | | | | | |  Polished Nickel (PN) | |
| | 64-13- | 13" | 14" | 2 1/2" | \$211.00 | | | |

TRADITIONAL



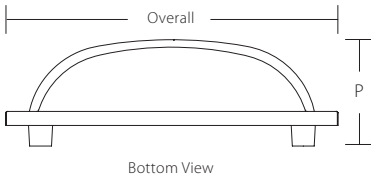
| TRADITIONAL STEPPED ROUND KNOB | Product Code | Dimension(D) | Projection(P) | List Price | Finish | | | | | | | | | | | | | |
|--|--|---|---------------|--|--------|--|---|--|--|--|---|--|---|--|--|--|--|---|
|  | 703- | 1 1/4" | 7/8" | \$17.00 | | | | | | | | | | | | | | |
| | 704- | 1 1/2" | 1" | \$23.00 | | | | | | | | | | | | | | |
| |  | | | <table border="0"> <tr> <td data-bbox="981 241 1109 409">  Polished Brass (03) </td> <td data-bbox="1141 241 1268 409">  Oil Rubbed Bronze (10B) </td> <td data-bbox="1300 241 1428 409">  Satin Nickel (15) </td> </tr> <tr> <td data-bbox="981 441 1109 609">  Polished Chrome (26) </td> <td data-bbox="1141 441 1268 609">  Antique Brass (AB) </td> <td data-bbox="1300 441 1428 609">  Antique Light Brass (ALB) </td> </tr> <tr> <td data-bbox="981 640 1109 808">  Antique Nickel (AN) </td> <td data-bbox="1141 640 1268 808">  Aurora Bronze (AUB) </td> <td data-bbox="1300 640 1428 808">  Distressed Bronze (DBZ) </td> </tr> <tr> <td data-bbox="981 840 1109 1008">  Distressed Nickel (DN) </td> <td data-bbox="1141 840 1268 1008">  Flat Black (FB) </td> <td data-bbox="1300 840 1428 1008">  Michelangelo Bronze (MIBZ) </td> </tr> </table> | | |  Polished Brass (03) |  Oil Rubbed Bronze (10B) |  Satin Nickel (15) |  Polished Chrome (26) |  Antique Brass (AB) |  Antique Light Brass (ALB) |  Antique Nickel (AN) |  Aurora Bronze (AUB) |  Distressed Bronze (DBZ) |  Distressed Nickel (DN) |  Flat Black (FB) |  Michelangelo Bronze (MIBZ) |
|  Polished Brass (03) |  Oil Rubbed Bronze (10B) |  Satin Nickel (15) | | | | | | | | | | | | | | | | |
|  Polished Chrome (26) |  Antique Brass (AB) |  Antique Light Brass (ALB) | | | | | | | | | | | | | | | | |
|  Antique Nickel (AN) |  Aurora Bronze (AUB) |  Distressed Bronze (DBZ) | | | | | | | | | | | | | | | | |
|  Distressed Nickel (DN) |  Flat Black (FB) |  Michelangelo Bronze (MIBZ) | | | | | | | | | | | | | | | | |



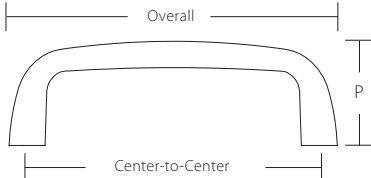
| TRADITIONAL ROUND KNOB | Product Code | Dimension(D) | Projection(P) | List Price | Finish | | | | | | | | | | | | |
|--|--|---|---------------|---|--------|--|---|--|--|--|---|--|---|--|--|--|--|
|  | 706- | 1 1/4" | 1" | \$16.00 | | | | | | | | | | | | | |
| |  | | | <table border="0"> <tr> <td data-bbox="981 1176 1109 1344">  Polished Brass (03) </td> <td data-bbox="1141 1176 1268 1344">  Oil Rubbed Bronze (10B) </td> <td data-bbox="1300 1176 1428 1344">  Satin Nickel (15) </td> </tr> <tr> <td data-bbox="981 1375 1109 1543">  Polished Chrome (26) </td> <td data-bbox="1141 1375 1268 1543">  Antique Brass (AB) </td> <td data-bbox="1300 1375 1428 1543">  Antique Light Brass (ALB) </td> </tr> <tr> <td data-bbox="981 1575 1109 1743">  Antique Nickel (AN) </td> <td data-bbox="1141 1575 1268 1743">  Aurora Bronze (AUB) </td> <td data-bbox="1300 1575 1428 1743">  Distressed Bronze (DBZ) </td> </tr> <tr> <td data-bbox="981 1774 1109 1942">  Distressed Nickel (DN) </td> <td data-bbox="1141 1774 1268 1942">  Flat Black (FB) </td> <td data-bbox="1300 1774 1428 1942">  Michelangelo Bronze (MIBZ) </td> </tr> </table> | | |  Polished Brass (03) |  Oil Rubbed Bronze (10B) |  Satin Nickel (15) |  Polished Chrome (26) |  Antique Brass (AB) |  Antique Light Brass (ALB) |  Antique Nickel (AN) |  Aurora Bronze (AUB) |  Distressed Bronze (DBZ) |  Distressed Nickel (DN) |  Flat Black (FB) |
|  Polished Brass (03) |  Oil Rubbed Bronze (10B) |  Satin Nickel (15) | | | | | | | | | | | | | | | |
|  Polished Chrome (26) |  Antique Brass (AB) |  Antique Light Brass (ALB) | | | | | | | | | | | | | | | |
|  Antique Nickel (AN) |  Aurora Bronze (AUB) |  Distressed Bronze (DBZ) | | | | | | | | | | | | | | | |
|  Distressed Nickel (DN) |  Flat Black (FB) |  Michelangelo Bronze (MIBZ) | | | | | | | | | | | | | | | |



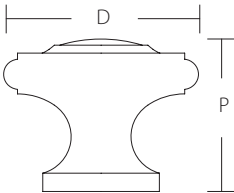
| TRADITIONAL RIMMED ROUND KNOB | Product Code | Dimension(D) | Projection(P) | List Price | Finish | | | | | | | | | | | | |
|---|--|---|---------------|------------|---|--|--|--|---|---|--|--|--|--|---|--|---|
|  | 711- | 1 ¼" | 7/8" | \$17.00 |  <div data-bbox="1054 237 1509 1020"> <table border="0"> <tr> <td> Polished Brass (03)</td> <td> Oil Rubbed Bronze (10B)</td> <td> Satin Nickel (15)</td> </tr> <tr> <td> Polished Chrome (26)</td> <td> Antique Brass (AB)</td> <td> Antique Light Brass (ALB)</td> </tr> <tr> <td> Antique Nickel (AN)</td> <td> Aurora Bronze (AUB)</td> <td> Distressed Bronze (DBZ)</td> </tr> <tr> <td> Distressed Nickel (DN)</td> <td> Flat Black (FB)</td> <td> Michelangelo Bronze (MIBZ)</td> </tr> </table> </div> |  Polished Brass (03) |  Oil Rubbed Bronze (10B) |  Satin Nickel (15) |  Polished Chrome (26) |  Antique Brass (AB) |  Antique Light Brass (ALB) |  Antique Nickel (AN) |  Aurora Bronze (AUB) |  Distressed Bronze (DBZ) |  Distressed Nickel (DN) |  Flat Black (FB) |  Michelangelo Bronze (MIBZ) |
|  Polished Brass (03) |  Oil Rubbed Bronze (10B) |  Satin Nickel (15) | | | | | | | | | | | | | | | |
|  Polished Chrome (26) |  Antique Brass (AB) |  Antique Light Brass (ALB) | | | | | | | | | | | | | | | |
|  Antique Nickel (AN) |  Aurora Bronze (AUB) |  Distressed Bronze (DBZ) | | | | | | | | | | | | | | | |
|  Distressed Nickel (DN) |  Flat Black (FB) |  Michelangelo Bronze (MIBZ) | | | | | | | | | | | | | | | |



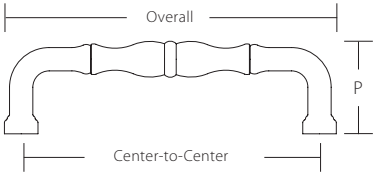
| TRADITIONAL OVAL KNOB | Product Code | Dimension(D) | Projection(P) | List Price | Finish | | | | | | | | | | | | |
|---|--|---|---------------|------------|--|--|--|--|---|---|--|--|--|--|---|--|---|
|  | 719- | 1 ¾" | 1 ¼" | \$17.00 |  <div data-bbox="1054 1165 1509 1969"> <table border="0"> <tr> <td> Polished Brass (03)</td> <td> Oil Rubbed Bronze (10B)</td> <td> Satin Nickel (15)</td> </tr> <tr> <td> Polished Chrome (26)</td> <td> Antique Brass (AB)</td> <td> Antique Light Brass (ALB)</td> </tr> <tr> <td> Antique Nickel (AN)</td> <td> Aurora Bronze (AUB)</td> <td> Distressed Bronze (DBZ)</td> </tr> <tr> <td> Distressed Nickel (DN)</td> <td> Flat Black (FB)</td> <td> Michelangelo Bronze (MIBZ)</td> </tr> </table> </div> |  Polished Brass (03) |  Oil Rubbed Bronze (10B) |  Satin Nickel (15) |  Polished Chrome (26) |  Antique Brass (AB) |  Antique Light Brass (ALB) |  Antique Nickel (AN) |  Aurora Bronze (AUB) |  Distressed Bronze (DBZ) |  Distressed Nickel (DN) |  Flat Black (FB) |  Michelangelo Bronze (MIBZ) |
|  Polished Brass (03) |  Oil Rubbed Bronze (10B) |  Satin Nickel (15) | | | | | | | | | | | | | | | |
|  Polished Chrome (26) |  Antique Brass (AB) |  Antique Light Brass (ALB) | | | | | | | | | | | | | | | |
|  Antique Nickel (AN) |  Aurora Bronze (AUB) |  Distressed Bronze (DBZ) | | | | | | | | | | | | | | | |
|  Distressed Nickel (DN) |  Flat Black (FB) |  Michelangelo Bronze (MIBZ) | | | | | | | | | | | | | | | |

TRADITIONAL





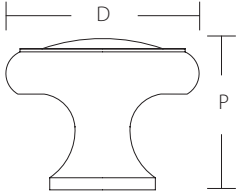





| TRADITIONAL CUP PULL | | Product Code | C-to-C | Overall | Projection(P) | List Price | Finish |
|--|------|--------------|-----------------|---------|---------------|---|--------|
|  | 730- | 3" | 3 3/4" x 1 1/4" | 1" | \$34.00 |  | |
| | 731- | 3" | 4 5/8" x 1 3/8" | 1" | \$36.00 | | |
|  | | | | | | | |
| <p>Polished Brass (03) Oil Rubbed Bronze (10B) Satin Nickel (15)</p> <p>Polished Chrome (26) Antique Brass (AB) Antique Light Brass (ALB)</p> <p>Antique Nickel (AN) Distressed Bronze (DBZ) Distressed Nickel (DN)</p> <p>Flat Black (FB) Michelangelo Bronze (MIBZ) Polished Nickel (PN)</p> | | | | | | | |





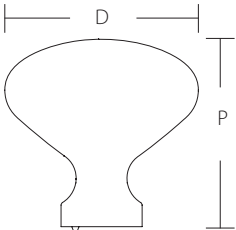





| TRADITIONAL PULL | | Product Code | C-to-C | Overall | Projection(P) | List Price | Finish |
|--|------|--------------|--------|---------|---------------|--|--------|
|  | 721- | 3" | 3 3/8" | 7/8" | \$17.00 |  | |
| | 732- | 4" | 4 3/8" | 1 1/8" | \$28.00 | | |
| 737- | 6" | 6 3/8" | 1 1/4" | \$63.00 | | | |
| <p><i>Also available in Appliance Pulls:</i></p> <p>739- 10" 10 1/2" 2 1/8" \$291.00</p> <p>738- 15" 15 1/2" 2 1/8" \$431.00</p> | | | | | | | |
|  | | | | | | | |
| <p>Polished Brass (03) Oil Rubbed Bronze (10B) Satin Nickel (15)</p> <p>Polished Chrome (26) Antique Brass (AB) Antique Light Brass (ALB)</p> <p>Antique Nickel (AN) Distressed Bronze (DBZ) Distressed Nickel (DN)</p> <p>Flat Black (FB) Michelangelo Bronze (MIBZ) Polished Nickel (PN)</p> | | | | | | | |





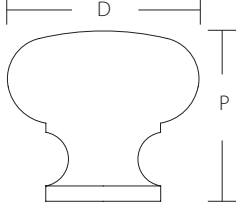





| COLONIAL STEPPED ROUND KNOB | Product Code | Dimension(D) | Projection(P) | List Price | Finish |
|---|--------------|--------------|---------------|------------|---|
|  | 703- | 1 1/4" | 7/8" | \$17.00 |  |
| | 704- | 1 1/2" | 1" | \$23.00 | |
|  | | | | | |



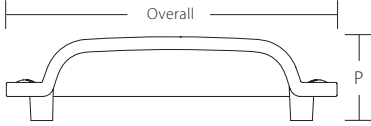
| COLONIAL PULL | Product Code | C-to-C | Overall | Projection(P) | List Price | Finish |
|---|--|--------|---------|---------------|------------|---|
|  | 747- | 4" | 4 5/16" | 1 3/16" | \$25.00 |  |
| | 748- | 6" | 6 3/8" | 1 7/8" | \$64.00 | |
| | <p><i>Also available in Appliance Pulls:</i></p> | | | | | |
| | 749- | 12" | 12 7/8" | 2 1/4" | \$251.00 | |
| | 7495- | 15" | 16" | 2 1/4" | \$406.00 | |
|  | | | | | | |



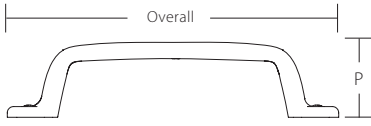
COUNTRY

| COUNTRY RIMMED ROUND KNOB | Product Code | Dimension(D) | Projection(P) | List Price | Finish |
|---|--------------|--------------|---|------------|---|
|  | 711- | 1 1/4" | 7/8" | \$17.00 |  Oil Rubbed Bronze (10B)  Satin Nickel (15)  Polished Chrome (26) |
| | | |  | |  Antique Nickel (AN)  Aurora Bronze (AUB)  Flat Black (FB)  Polished Nickel (PN)  Satin Brass (SB) |


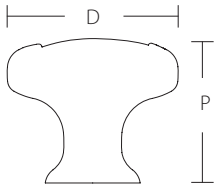

| COUNTRY OVAL KNOB | Product Code | Dimension(D) | Projection(P) | List Price | Finish |
|---|--------------|--------------|---|------------|---|
|  | 719- | 1 3/8" | 1 1/4" | \$17.00 |  Oil Rubbed Bronze (10B)  Satin Nickel (15)  Polished Chrome (26) |
| | | |  | |  Antique Nickel (AN)  Aurora Bronze (AUB)  Flat Black (FB)  Polished Nickel (PN)  Satin Brass (SB) |


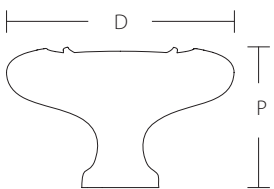

| COUNTRY ROUND KNOB | Product Code | Dimension(D) | Projection(P) | List Price | Finish |
|---|--------------|--------------|---|------------|---|
|  | 706- | 1 1/4" | 1" | \$16.00 |  Oil Rubbed Bronze (10B)  Satin Nickel (15)  Polished Chrome (26) |
| | | |  | |  Antique Nickel (AN)  Aurora Bronze (AUB)  Flat Black (FB)  Polished Nickel (PN)  Satin Brass (SB) |


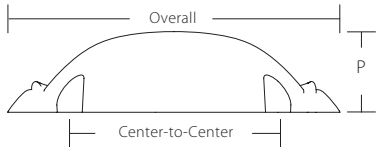
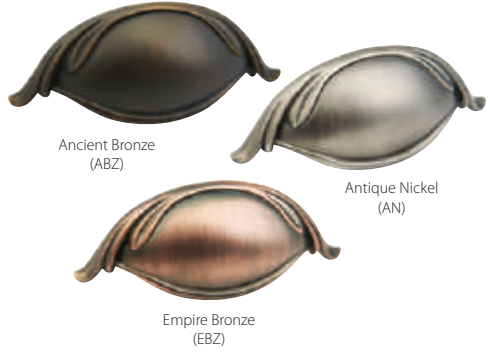
| COUNTRY CUP PULL | | Product Code | C-to-C | Overall | Projection(P) | List Price | Finish |
|---|--|---|--------|-------------|---------------|------------|--|
|  | | 743- | 3" | 3 3/4" x 1" | 3/4" | \$34.00 |  |
| | | 744- | 6" | 6 5/8" x 1" | 3/4" | \$45.00 | |
| | |  | | | | | |
| | | Bottom View | | | | | |


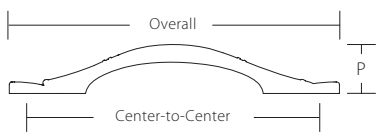

| COUNTRY PULL | | Product Code | C-to-C | Overall | Projection(P) | List Price | Finish | |
|---|-------|---|---------|---------|---------------|------------|--|--|
|  | | 742- | 4" | 5 1/8" | 1 1/8" | \$29.00 |  | |
| | | 745- | 6" | 7 1/2" | 1 1/4" | \$48.00 | | |
| | | <i>Also available in Appliance Pulls:</i> | | | | | | |
| | | 746- | 12" | 14 1/4" | 1 7/8" | \$276.00 | | |
| | 7465- | 15" | 17 1/2" | 2" | \$406.00 | | | |
| | |  | | | | | | |


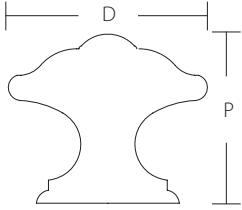

FRENCH FARM


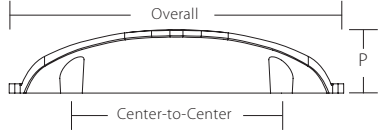

| FRENCH FARM ROUND KNOB | | Product Code | Dimension(D) | Projection(P) | List Price | Finish |
|---|------|--------------|--------------|---------------|---|---|
|  | 260- | 1 5/16" | 1" | \$17.00 |  |  <p>Ancient Bronze (ABZ)</p> <p>Empire Bronze (EBZ)</p> <p>Antique Nickel (AN)</p> |


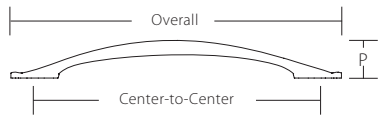

| FRENCH FARM OVAL KNOB | | Product Code | Dimension(D) | Projection(P) | List Price | Finish |
|---|------|---------------|--------------|---------------|---|---|
|  | 261- | 1 7/8" x 7/8" | 1" | \$17.00 |  |  <p>Ancient Bronze (ABZ)</p> <p>Empire Bronze (EBZ)</p> <p>Antique Nickel (AN)</p> |

| FRENCH FARM CUP PULL | | Product Code | C-to-C | Overall | Projection(P) | List Price | Finish |
|---|------|--------------|-------------|---------|---------------|--|--|
|  | 265- | 3" | 2" x 4 3/4" | 1 1/8" | \$27.00 |  <p>(Bottom View)</p> |  <p>Ancient Bronze (ABZ)</p> <p>Empire Bronze (EBZ)</p> <p>Antique Nickel (AN)</p> |



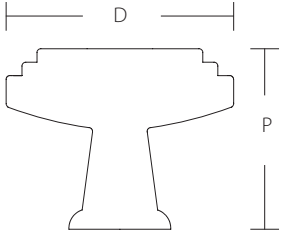
| FRENCH FARM PULL | | Product Code | C-to-C | Overall | Projection(P) | List Price | Finish |
|--|--|--------------|---------|---------|---------------|---|---|
|  | 262- | 3 3/4" | 6 1/2" | 7/8" | \$21.00 |  |  <p>Ancient Bronze (ABZ)</p> <p>Antique Nickel (AN)</p> <p>Empire Bronze (EBZ)</p> |
| | 263- | 8" | 11 3/4" | 1 3/8" | \$75.00 | | |
| | <i>Also available in Appliance Pull:</i> | | 264- | 12" | 16 1/2" | | |



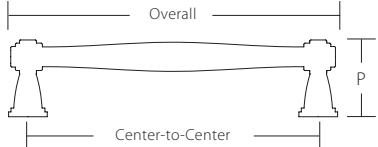
| CORINTHIAN ROUND KNOB | Product Code | Dimension(D) | Projection(P) | List Price | Finish |
|---|---|--------------|---------------|------------|--|
|  | 870- | 1 3/8" | 1 1/4" | \$34.00 | |
| |  | | | |  <p>Ancient Bronze (ABZ) Corinthian Silver (CRS)</p> <p>Michelangelo Bronze (MIBZ) Redington Brass (RB)</p> |

| CORINTHIAN CUP PULL | Product Code | C-to-C | Overall | Projection(P) | List Price | Finish |
|--|---|--------|-----------------|---------------|---|--------|
|  | 872- | 3" | 1 3/4" x 4 3/4" | 1" | \$42.00 | |
| |  <p>(Bottom View)</p> | | | |  <p>Ancient Bronze (ABZ) Corinthian Silver (CRS)</p> <p>Michelangelo Bronze (MIBZ) Redington Brass (RB)</p> | |

| CORINTHIAN PULL | Product Code | C-to-C | Overall | Projection(P) | List Price | Finish |
|---|---|--------|---------|---------------|--|--------|
|  | 871- | 3 3/4" | 6 1/2" | 1" | \$35.00 | |
| | 8716- | 6" | 8 3/4" | 1 1/4" | \$65.00 | |
| | <p><i>Also available in Appliance Pull:</i></p> | | | | | |
| | 868- | 15" | 18 5/8" | 2 1/8" | \$430.00 | |
| |  | | | |  <p>Ancient Bronze (ABZ) Corinthian Silver (CRS)</p> <p>Michelangelo Bronze (MIBZ) Redington Brass (RB)</p> | |

FIRENZA


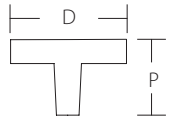

| FIRENZA OCTAGONAL KNOB | Product Code | Dimension(D) | Projection(P) | List Price | Finish |
|---|--------------|---|---------------|------------|--|
|  | 283- | 1 1/8" | 1" | \$15.00 |  <p>Dark Firenza Bronze (DFBZ)</p> <p>Firenza Silver (FS)</p> <p>Light Firenza Bronze (LFBZ)</p> |
| | |  | | | |


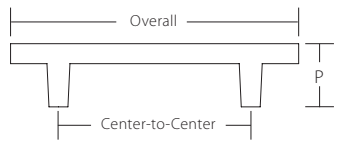

| FIRENZA PULL | Product Code | C-to-C | Overall | Projection(P) | List Price | Finish |
|--|--------------|--|---------|---------------|------------|--|
|  | 284- | 5" | 5 5/8" | 1 3/8" | \$23.00 |  <p>Dark Firenza Bronze (DFBZ)</p> <p>Firenza Silver (FS)</p> <p>Light Firenza Bronze (LFBZ)</p> |
| | |  | | | | |


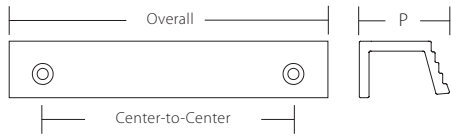

RUSTIC


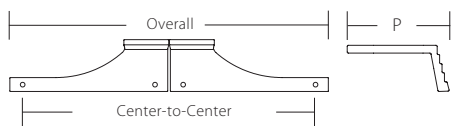





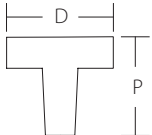
Rustic style honors the look, materials and techniques of craftsmanship from bygone eras and applies them to a range of design aesthetics. Weathered profiles combined with living finishes, give Rustic designs a character all their own.



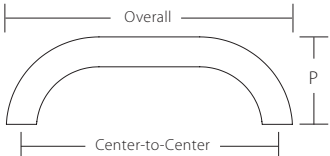
| STRADELLA KNOB | Product Code | Dimension(D) | Projection(P) | List Price | Finish |
|---|---|--------------|---------------|------------|---|
|  | 680- | 1 1/2" | 1" | \$91.00 | |
| |  | | | |  <p>Antique Bronze (AZ) Natural Bronze (NB) Polished White Bronze (PWB)</p> |


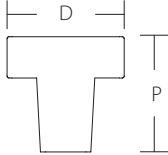

| STRADELLA PULL | Product Code | C-to-C | Overall | Projection(P) | List Price | Finish |
|--|---|--------|---------|---------------|---|--------|
|  | 681- | 5" | 5 3/4" | 1 1/4" | \$122.00 | |
| |  | | | |  <p>Antique Bronze (AZ) Natural Bronze (NB) Polished White Bronze (PWB)</p> | |


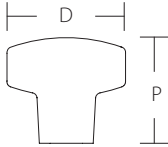

| STRADELLA EDGE PULL | Product Code | C-to-C | Overall | Width | Projection(P) | List Price | Finish |
|---|--------------|--------|---------|---|---------------|------------|--------|
|  | 682- | 4" | 5" | 1/4" | 1 1/4" | \$146.00 | |
| | 691- | 7" | 8" | 1/4" | 1 1/2" | \$160.00 | |
|  | | | |  <p>Antique Bronze (AZ) Natural Bronze (NB) Polished White Bronze (PWB)</p> | | | |


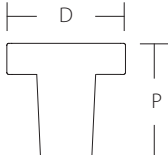

| STRADELLA EDGE PULL, PAIR | Product Code | C-to-C | Overall | Width | Projection(P) | List Price | Finish |
|--|---|--------|---------|-------|---|------------|--------|
|  | 693- | 5" | 12" | 1/4" | 1 3/4" | \$252.00 | |
| |  | | | |  <p>Antique Bronze (AZ) Natural Bronze (NB) Polished White Bronze (PWB)</p> | | |


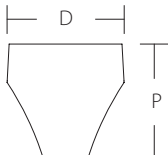

| TURNO ROUND KNOB | | Product Code | Dimension(D) | Projection(P) | List Price | Finish |
|---|---|--------------|--------------|---------------|---|--------|
|  | 211018- | 1 ¼" | 1 ¼" | \$67.00 |  Black Bronze (BB) Light Bronze (LB) Natural Bronze (NB) Polished White Bronze (PWB) | |
| |  | | | | | |






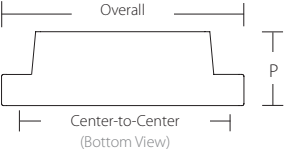
| TURNO PULL | | Product Code | C-to-C | Overall | Projection(P) | List Price | Finish |
|---|---------|--------------|--------|----------|---------------|--|----------|
|  | 211020- | 4" | 4 ½" | ⅜" | \$82.00 |  Black Bronze (BB) Light Bronze (LB) Natural Bronze (NB) Polished White Bronze (PWB) | |
| | 211022- | 6" | 6 ½" | ⅜" | \$101.00 | | |
| | 211023- | 8" | 8 ½" | ⅜" | \$146.00 | | |
| 211025- | 12" | 12 ½" | ⅜" | \$248.00 | | | |
| <i>Also available in Appliance Pull:</i> | | 211027- | 18" | 18 ⅝" | 1 ⅞" | | \$604.00 |
|  | | | | | | | |






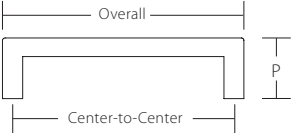
| VINCI SQUARE KNOB | Product Code | Dimension(D) | Projection(P) | List Price | Finish |
|---|--------------|--------------|---------------|------------|---|
|  | 789- | 1 ¼" | 1 ¼" | \$65.00 |  |
| | 815- | 1 ¾" | 1 ¼" | \$131.00 | |
|  | | | | | |






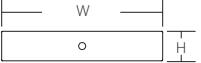
| VINCI SOFT SQUARE KNOB | Product Code | Dimension(D) | Projection(P) | List Price | Finish |
|--|--------------|--------------|---------------|------------|---|
|  | 765- | 1" | 1" | \$53.00 |  |
| | | | | | |
|  | | | | | |






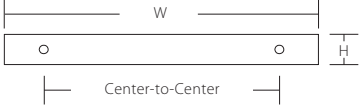
| VINCI CONCAVE SQUARE KNOB | Product Code | Dimension(D) | Projection(P) | List Price | Finish |
|---|--------------|--------------|---------------|------------|---|
|  | 810- | 1 ¼" | 1" | \$53.00 |  |
| | | | | | |
|  | | | | | |


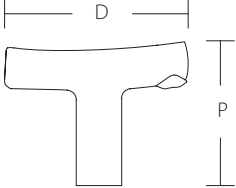





| VINCI RECTANGULAR CONE KNOB | Product Code | Dimension(D) | Projection(P) | List Price | Finish |
|---|--------------|--------------|---------------|------------|---|
|  | 814- | 1 ¼" x 7/8" | 7/8" | \$53.00 |  |
| | | | | | |
|  | | | | | |


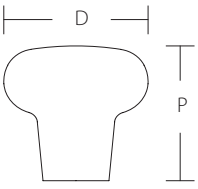





| VINCI CUP PULL | Product Code | C-to-C | Overall | Projection(P) | List Price | Finish |
|---|---|--------|-------------|---------------|------------|--|
|  | 816- | 3 3/4" | 6" x 1 3/8" | 1" | \$91.00 |     |
| |  | | | | | |


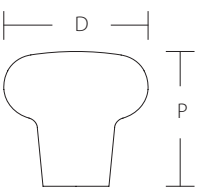





| VINCI PULL | Product Code | C-to-C | Overall | Projection(P) | List Price | Finish | |
|--|--|---------|---------|---------------|------------|--|--|
|  | 788-35- | 3 1/2" | 3 5/8" | 1 1/8" | \$48.00 |     | |
| | 788-4- | 4" | 4 3/8" | 1 1/8" | \$53.00 | | |
| | 788-5- | 5" | 5 3/8" | 1 1/4" | \$62.00 | | |
| | 788-6- | 6" | 6 3/8" | 1 1/4" | \$66.00 | | |
| | 788-8- | 8" | 8 3/8" | 1 1/4" | \$95.00 | | |
| | 788-10- | 10" | 10 3/8" | 1 1/4" | \$122.00 | | |
| | 788-12- | 12" | 12 1/2" | 1 1/2" | \$230.00 | | |
| | 788-18- | 18" | 18 3/8" | 1 5/16" | \$409.00 | | |
| | <p><i>Also available in Appliance Pulls:</i></p> | | | | | | |
| | 788-12A- | 12" | 12 3/4" | 2" | \$399.00 | | |
| 788-18A- | 18" | 18 3/4" | 2" | \$604.00 | | | |
|  | | | | | | | |


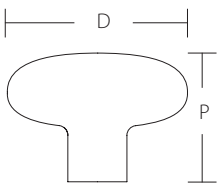





| VINCI BACKPLATE FOR KNOB | Product Code | W x H | Depth | List Price | Finish |
|---|---|-----------|-------|------------|--|
|  | 211113- | 4" x 3/4" | 1/16" | \$40.00 |     |
| |  | | | | |





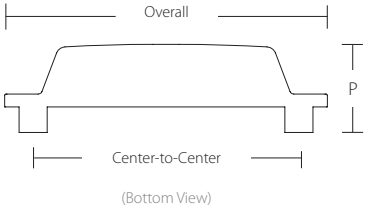


| VINCI BACKPLATE FOR PULL | Product Code | C-to-C | W x H | Depth | List Price | Finish | |
|---|---|--------|------------------|-------|------------|--|--|
|  | 211104- | 3 1/2" | 4 1/2" x 3/4" | 1/16" | \$40.00 |     | |
| | 211105- | 4" | 5" x 3/4" | 1/16" | \$43.00 | | |
| | 211106- | 5" | 6" x 3/4" | 1/16" | \$49.00 | | |
| | 211107- | 6" | 7" x 3/4" | 1/16" | \$53.00 | | |
| | 211108- | 8" | 9" x 3/4" | 1/16" | \$77.00 | | |
| | 211109- | 10" | 11" x 3/4" | 1/16" | \$98.00 | | |
| | 211110- | 12" | 13" x 3/4" | 1/16" | \$137.00 | | |
| | 211111- | 18" | 19" x 3/4" | 1/16" | \$203.00 | | |
| | <p><i>Also available in Appliance Pulls:</i></p> | | | | | | |
| | 211112- | 12" | 13 3/4" x 1 1/4" | 1/8" | \$196.00 | | |
| | 211120- | 18" | 19 3/4" x 1 1/4" | 1/8" | \$273.00 | | |
| |  | | | | | | |





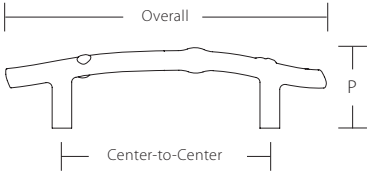


| MOUNTAIN TWIG T-KNOB | Product Code | Dimension(D) | Projection(P) | List Price | Finish |
|---|---|--------------|---------------|------------|--|
|  | 768- | 2" | 1 3/8" | \$70.00 | |
| |  | | | |  Antique Silver (AS)  Antique Bronze (AZ)  Italian Nickel (IN)  Natural Bronze (NB)  Verdi Imperiale (VI) |





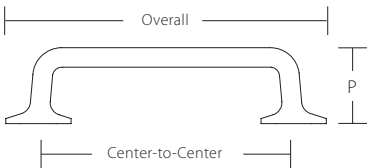


| MOUNTAIN KNOB | Product Code | Dimension(D) | Projection(P) | List Price | Finish |
|---|---|--------------|---------------|------------|--|
|  | 781- | 1 3/8" | 1 3/8" | \$47.00 | |
| |  | | | |  Antique Silver (AS)  Antique Bronze (AZ)  Italian Nickel (IN)  Natural Bronze (NB)  Verdi Imperiale (VI) |


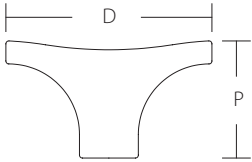
| MOUNTAIN SMOOTH KNOB | Product Code | Dimension(D) | Projection(P) | List Price | Finish |
|---|--------------|--------------|---------------|--|--------|
|  | 771- | 1 1/4" | 1 1/8" | \$37.00 | |
| | 772- | 1 3/8" | 1 1/4" | \$47.00 | |
| | 773- | 1 5/8" | 1 1/4" | \$51.00 | |
|  | | | |  Antique Silver (AS)  Antique Bronze (AZ)  Italian Nickel (IN)  Natural Bronze (NB)  Verdi Imperiale (VI) | |


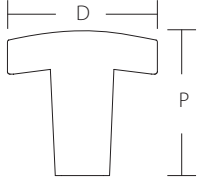
| MOUNTAIN OVAL KNOB | Product Code | Dimension(D) | Projection(P) | List Price | Finish |
|---|---|--------------|---------------|------------|--|
|  | 782- | 1 7/8" | 1 1/4" | \$48.00 | |
| |  | | | |  Antique Silver (AS)  Antique Bronze (AZ)  Italian Nickel (IN)  Natural Bronze (NB)  Verdi Imperiale (VI) |


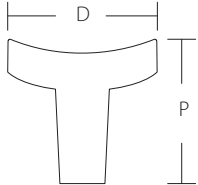
| MOUNTAIN CUP PULL | | | | | | Finish |
|---|--|--------|-----------------|---------------|------------|--|
|  | Product Code | C-to-C | Overall | Projection(P) | List Price |    |
| | 775- | 3 1/2" | 4 1/8" x 1 3/4" | 1" | \$67.00 | |
| |  <p>(Bottom View)</p> | | | | |   |


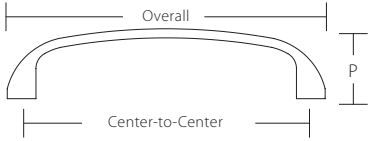
| MOUNTAIN TWIG PULL | | | | | | Finish |
|--|---|----------|--------------|------------------|---------------------|--|
|  | Product Code | C-to-C | Overall | Projection(P) | List Price |    |
| | 783- 784- | 4" 6" | 6" 7 1/4" | 1 1/2" 1 3/4" | \$91.00 \$138.00 | |
| | <p><i>Also available in Appliance Pull:</i></p> <p>785- 12" 15 5/8" 2 1/8" \$421.00</p>  | | | | |   |


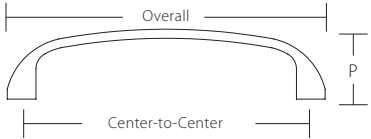
| MOUNTAIN PULL | | | | | | Finish |
|---|--|----------|--------------|------------------|--------------------|---|
|  | Product Code | C-to-C | Overall | Projection(P) | List Price |    |
| | 777- 778- | 4" 6" | 5" 7 1/4" | 1 1/4" 1 3/8" | \$55.00 \$66.00 | |
| | <p><i>Also available in Appliance Pulls:</i></p> <p>779- 12" 13 1/8" 1 5/8" \$222.00</p> <p>780- 18" 19 3/8" 1 3/4" \$421.00</p>  | | | | |   |


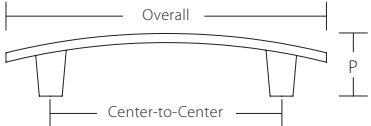
| MARTELLO ROUND KNOB | Product Code | Dimension(D) | Projection(P) | List Price | |
|---|--------------|--------------|---------------|------------|---|
|  | 170-N | 1 3/4" | 1" | \$76.00 |  |




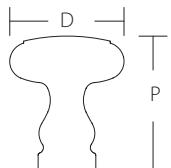
| MARTELLO SQUARE KNOB | Product Code | Dimension(D) | Projection(P) | List Price | |
|---|--------------|--------------|---------------|------------|---|
|  | 171-N | 1 1/2" | 1" | \$76.00 |  |




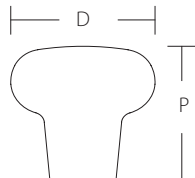
| MARTELLO RECTANGULAR KNOB | Product Code | Dimension(D) | Projection(P) | List Price | |
|---|--------------|-----------------|---------------|------------|---|
|  | 172-N | 1 3/4" x 1 1/8" | 1" | \$76.00 |  |




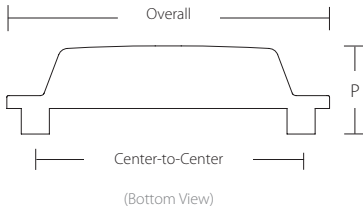
| MARTELLO CUP PULL | Product Code | C-to-C | Overall | Projection(P) | List Price | |
|---|--------------|--------|-----------------|---------------|------------|---|
|  | 173-N | 3 3/4" | 4 1/2" x 1 5/8" | 3/4" | \$138.00 |  |


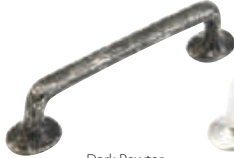

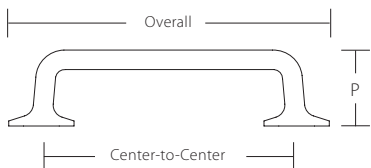
| MARTELLO PULL | Product Code | C-to-C | Overall | Projection(P) | List Price | |
|---|--------------|---------|---------|---------------|------------|---|
|  | 174-N | 5 1/16" | 5 1/2" | 1" | \$138.00 |  |
| | 175-N | 6 5/16" | 6 7/8" | 1 1/8" | \$197.00 | |


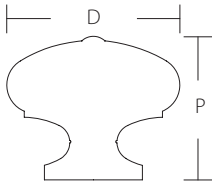


| MARTELLO BAR PULL | Product Code | C-to-C | Overall | Projection(P) | List Price | |
|---|--------------|----------|---------|---------------|------------|---|
|  | 176-N | 5 1/16" | 7" | 1 3/8" | \$138.00 |  |
| | 177-N | 6 5/16" | 8 1/2" | 1 3/8" | \$197.00 | |
| | 178-N | 8 13/16" | 10 7/8" | 1 3/8" | \$303.00 | |
| | 179-N | 12" | 14" | 1 3/8" | \$377.00 | |


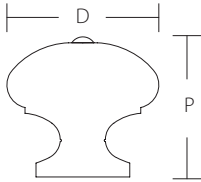


| ARTIFEX KNOB | Product Code | Dimension(D) | Projection(P) | List Price | Finish |
|---|--------------|---|---------------|------------|--|
|  | 132- | 1 1/8" | 1 1/4" | \$51.00 |  Dark Pewter (DP)  Natural (N) |
| | 131- | 1 1/2" | 1 3/8" | \$86.00 | |
| | |  | | | |


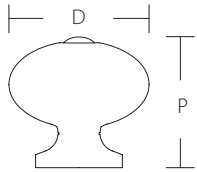


| ARTIFEX ROUND KNOB | Product Code | Dimension(D) | Projection(P) | List Price | Finish |
|---|--------------|---|---------------|------------|--|
|  | 772- | 1 3/8" | 1 1/4" | \$47.00 |  Dark Pewter (DP)  Natural (N) |
| | 773- | 1 5/8" | 1 1/4" | \$51.00 | |
| | |  | | | |


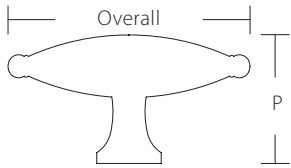


| ARTIFEX CUP PULL | Product Code | C-to-C | Overall | Projection(P) | List Price | Finish |
|---|--------------|--|-----------------|---------------|------------|---|
|  | 775- | 3 1/2" | 4 1/8" x 1 3/4" | 1" | \$67.00 |  Dark Pewter (DP)  Natural (N) |
| | | | | | | |
| | |  (Bottom View) | | | | |




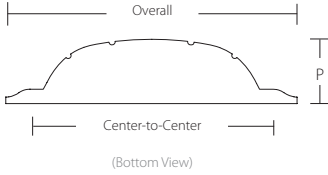
| ARTIFEX PULL | Product Code | C-to-C | Overall | Projection(P) | List Price | Finish |
|---|---|---|---------|---------------|------------|--|
|  | 777- | 4" | 5" | 1 1/4" | \$55.00 |  Dark Pewter (DP)  Natural (N) |
| | 778- | 6" | 7 1/4" | 1 3/8" | \$66.00 | |
| | <i>Also available in Appliance Pulls:</i> | | | | | |
| | 779- | 12" | 13 1/8" | 1 5/8" | \$222.00 | |
| | 780- | 18" | 19 5/8" | 1 3/4" | \$421.00 | |
| | |  | | | | |




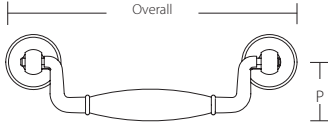
| SIENA ROUND KNOB | Product Code | Dimension(D) | Projection(P) | List Price | Finish |
|---|---|--------------|---------------|------------|--|
|  | 250- | 1 3/8" | 1" | \$17.00 | |
| |  | | | |  <p>Ancient Bronze (ABZ)</p>  <p>Vibra Nickel (VN)</p> |




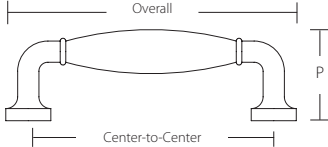
| SIENA SQUARE KNOB | Product Code | Dimension(D) | Projection(P) | List Price | Finish |
|---|--|--------------|---------------|------------|--|
|  | 251- | 1 1/2" | 1 1/8" | \$17.00 | |
| |  | | | |  <p>Ancient Bronze (ABZ)</p>  <p>Vibra Nickel (VN)</p> |

| SIENA OVAL KNOB | Product Code | Dimension(D) | Projection(P) | List Price | Finish |
|---|---|---------------|---------------|------------|--|
|  | 252- | 3/4" x 1 1/4" | 1 1/8" | \$17.00 | |
| |  | | | |  <p>Ancient Bronze (ABZ)</p>  <p>Vibra Nickel (VN)</p> |

| SIENA T-KNOB | Product Code | Overall | Projection(P) | List Price | Finish |
|---|---|---------------|---------------|------------|---|
|  | 253- | 3/4" x 2 7/8" | 1 1/2" | \$17.00 | |
| |  | | | |  <p>Ancient Bronze (ABZ)</p>  <p>Vibra Nickel (VN)</p> |

| SIENA CUP PULL | Product Code | C-to-C | Overall | Projection(P) | List Price | Finish |
|---|--|--------|-----------------|---------------|------------|---|
|  | 254- | 3" | 1 3/4" x 4 3/4" | 1" | \$26.00 |   Ancient Bronze (ABZ) Vibra Nickel (VN) |
| |  <p>(Bottom View)</p> | | | | | |

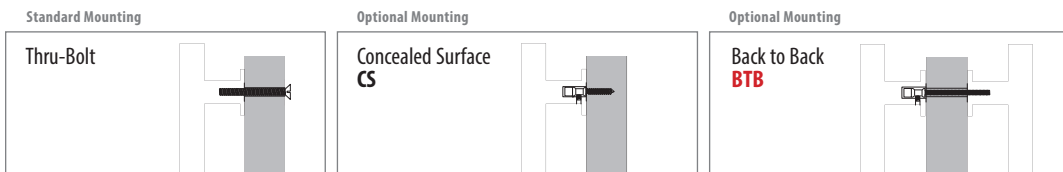
| SIENA BAIL PULL | Product Code | C-to-C | Overall | Projection(P) | List Price | Finish |
|---|---|--------|---------|---------------|------------|---|
|  | 258- | 5" | 6 1/4" | 1 1/4" | \$30.00 |   Ancient Bronze (ABZ) Vibra Nickel (VN) |
| |  | | | | | |

| SIENA PULL | Product Code | C-to-C | Overall | Projection(P) | List Price | Finish |
|---|--|--------|---------|---------------|------------|---|
|  | 255- | 3 3/4" | 4 3/8" | 1 3/8" | \$21.00 |   Ancient Bronze (ABZ) Vibra Nickel (VN) |
| | 256- | 8" | 8 3/4" | 1 3/8" | \$37.00 | |
| | <i>Also available in Appliance Pull:</i> | | | | | |
| | 257- | 12" | 12 3/4" | 1 3/4" | \$196.00 | |
|  | | | | | | |

APPLIANCE PULLS







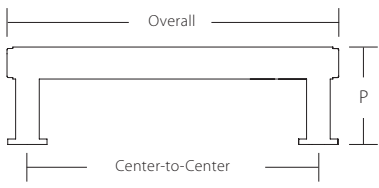


Designed to work with paneled appliances like dishwashers or refrigerators, an appliance pull is a seamless way to integrate your kitchen hardware design beyond your standard cabinets. Available in 3 mounting options, these styles can also be used as door pulls.





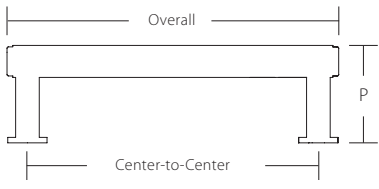







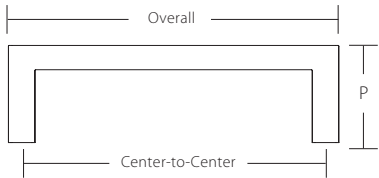

How To Order:




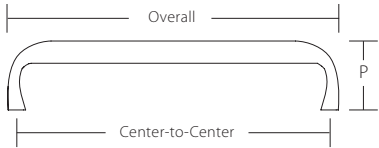

CS or **BTB** 412- **SB**
Concealed Surface or Back-to-Back Optional Mounting. Leave Blank for Standard Mounting. Finish Product Code

STANDARD MOUNTING - APPLIANCE PULLS






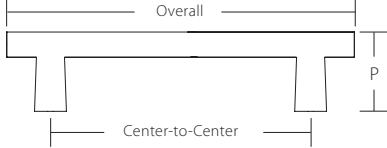
| PUB HOUSE KNURLED APPLIANCE PULL | | Product Code | C-to-C | Overall | Width | Projection(P) | List Price | Finish |
|---|--------|--|---------|---------|-------|---------------|---|--|
|  | 5012A- | 12" | 13 1/4" | 3/4" | 2" | \$207.00 |  Polished Chrome (26)  Brushed Nickel (BN)  Matte Black (MB) | |
| | 5018A- | 18" | 19 1/4" | 3/4" | 2" | \$302.00 | | |
| | 5024A- | 24" | 25 1/4" | 3/4" | 2" | \$333.00 | | |
| | |  | | | | | |  Polished Nickel (PN)  Signature Satin Brass (SSB) |






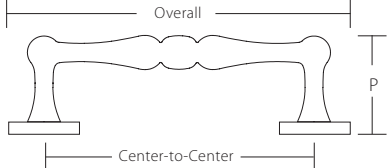
| PUB HOUSE SMOOTH APPLIANCE PULL | | Product Code | C-to-C | Overall | Width | Projection(P) | List Price | Finish |
|--|--------|---|---------|---------|-------|---------------|---|--|
|  | 5112A- | 12" | 13 1/4" | 3/4" | 2" | \$207.00 |  Polished Chrome (26)  Brushed Nickel (BN)  Matte Black (MB) | |
| | 5118A- | 18" | 19 1/4" | 3/4" | 2" | \$302.00 | | |
| | 5124A- | 24" | 25 1/4" | 3/4" | 2" | \$333.00 | | |
| | |  | | | | | |  Polished Nickel (PN)  Signature Satin Brass (SSB) |






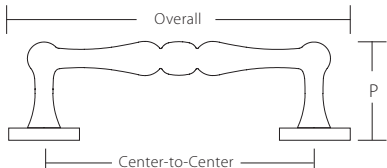
| ITALIAN CONTEMPORARY APPLIANCE PULL | | Product Code | C-to-C | Overall | Width | Projection(P) | List Price | Finish |
|---|--|--------------|---------|---------|--------|---------------|--|---|
|  | 503A- | 13 3/4" | 14 5/8" | 1" | 2 1/4" | \$650.00 |  Satin Nickel (15)  Polished Chrome (26) | |
| |  | | | | | | |  Light Bronze (LTBZ) |






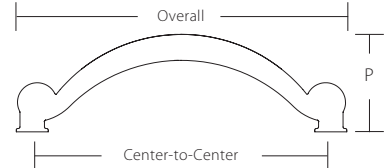
| ITALIAN CONTEMPORARY ROUNDED APPLIANCE PULL | | Product Code | C-to-C | Overall | Width | Projection(P) | List Price | Finish |
|---|--|--------------|---------|---------|--------|---------------|--|---|
|  | 513A- | 13 3/4" | 14 1/2" | 7/8" | 3 1/8" | \$719.00 |  Satin Nickel (15)  Polished Chrome (26) | |
| |  | | | | | | |  Light Bronze (LTBZ) |

APPLIANCE PULLS - STANDARD MOUNTING





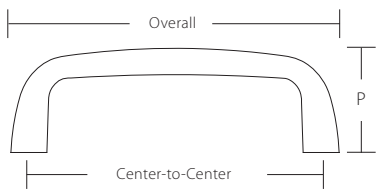









| MONZA APPLIANCE PULL | Product Code | C-to-C | Overall | Width | Projection(P) | List Price | Finish |
|---|---|--------|---------|-------------|---------------|------------|---|
|  | 211097- | 18" | 20 1/4" | 5/8" x 7/8" | 2" | \$307.00 |  Magenta (MA)  Matte Black (MB)  Matte Green (MG)  Signature Satin Brass (SSB) |
| |  | | | | | | |





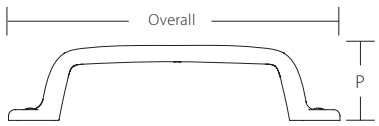





| ATHERTON APPLIANCE PULL WITH KNURLED FOOTPLATES | Product Code | C-to-C | Overall | Width | Projection(P) | List Price | Finish |
|--|---|--------|---------|--------|---------------|------------|---|
|  | 578- | 15" | 16 1/2" | 1 1/2" | 2" | \$290.00 |  Oil Rubbed Bronze (10B)  Polished Chrome (26)  Polished Nickel (PN)  Satin Brass (SB) |
| |  | | | | | | |




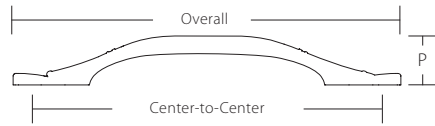
| ATHERTON APPLIANCE PULL WITH PLAIN FOOTPLATES | Product Code | C-to-C | Overall | Width | Projection(P) | List Price | Finish |
|---|---|--------|---------|--------|---------------|------------|---|
|  | 581- | 15" | 16 1/2" | 1 1/2" | 2" | \$273.00 |  Oil Rubbed Bronze (10B)  Polished Chrome (26)  Polished Nickel (PN)  Satin Brass (SB) |
| |  | | | | | | |

| CABRIOLE APPLIANCE PULL | Product Code | C-to-C | Overall | Width | Projection(P) | List Price | Finish |
|---|---|--------|---------|--------|---------------|------------|--|
|  | 64-13- | 13" | 14" | 1 3/8" | 2 1/2" | \$211.00 |  Antique Nickel (AN)  Brushed Bronze (BBZ)  Empire Bronze (EBZ)  Polished Nickel (PN) |
| |  | | | | | | |


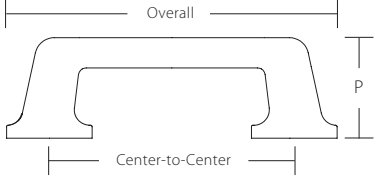








STANDARD MOUNTING - APPLIANCE PULLS


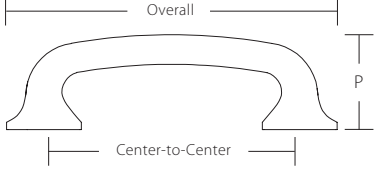








| TRADITIONAL APPLIANCE PULL | Product Code | C-to-C | Overall | Width | Projection(P) | List Price | Finish | |
|--|--------------|--------|---------|-------|---------------|------------|---|--|
|  | 739- | 10" | 10 1/2" | 7/8" | 2 1/8" | \$291.00 |  Polished Brass (03)  Oil Rubbed Bronze (10B)  Satin Nickel (15) | |
| | 738- | 15" | 15 1/2" | 7/8" | 2 1/8" | \$431.00 | | |
|  | | | | | | | | |
| | | | | | | | |  Polished Chrome (26)  Antique Brass (AB)  Antique Light Brass (ALB) |
| | | | | | | | |  Antique Nickel (AN)  Distressed Bronze (DBZ)  Distressed Nickel (DN) |
| | | | | | | | |  Flat Black (FB)  Michelangelo Bronze (MIBZ)  Polished Nickel (PN) |


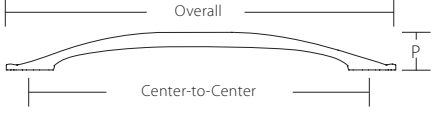




| COUNTRY APPLIANCE PULL | Product Code | C-to-C | Overall | Width | Projection(P) | List Price | Finish | |
|--|--------------|--------|---------|--------|---------------|------------|---|---|
|  | 746- | 12" | 14 1/4" | 1 7/8" | 1 7/8" | \$276.00 |  Oil Rubbed Bronze (10B)  Satin Nickel (15)  Polished Chrome (26) | |
| | 7465- | 15" | 17 1/2" | 1 3/4" | 2" | \$406.00 | | |
|  | | | | | | | | |
| | | | | | | | |  Antique Nickel (AN)  Aurora Bronze (AUB)  Flat Black (FB) |
| | | | | | | | |  Polished Nickel (PN)  Satin Brass (SB) |


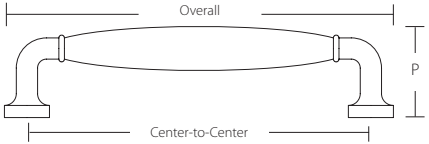


| FRENCH FARM APPLIANCE PULL | Product Code | C-to-C | Overall | Width | Projection(P) | List Price | Finish |
|--|--------------|--------|---------|--------|---------------|------------|--|
|  | 264- | 12" | 16 1/2" | 1 1/4" | 1 3/4" | \$196.00 |  Ancient Bronze (ABZ)  Antique Nickel (AN) |
| | | | | | | | |
|  | | | | | | | |

APPLIANCE PULLS - STANDARD MOUNTING






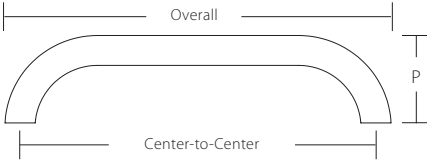
| NORTHPORT APPLIANCE PULL WITH ROUND BASES | | Product Code | C-to-C | Overall | Width | Projection(P) | List Price | Finish |
|---|------|--------------|--------|---------|--------|---------------|---|---|
|  | 214- | 15" | 16" | 1 3/8" | 1 7/8" | \$227.00 |  |  Satin Nickel (15)  Polished Chrome (26)  Ancient Bronze (ABZ) |
| | | | | | | | |  Brushed Bronze (BBZ)  Brushed Nickel (BN)  Matte Black (MB)  Polished Nickel (PN)  Signature Satin Brass (SSB) |







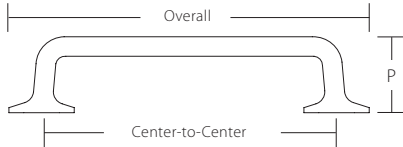
| NORTHPORT APPLIANCE PULL WITH SQUARE BASES | | Product Code | C-to-C | Overall | Width | Projection(P) | List Price | Finish |
|--|------|--------------|---------|---------|--------|---------------|--|---|
|  | 218- | 15" | 16 3/8" | 1 3/8" | 1 7/8" | \$227.00 |  |  Satin Nickel (15)  Polished Chrome (26)  Ancient Bronze (ABZ) |
| | | | | | | | |  Brushed Bronze (BBZ)  Brushed Nickel (BN)  Matte Black (MB)  Polished Nickel (PN)  Signature Satin Brass (SSB) |




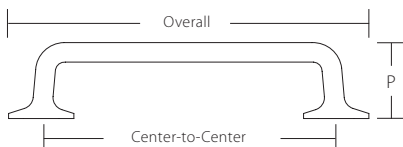
| CORINTHIAN APPLIANCE PULL | | Product Code | C-to-C | Overall | Width | Projection(P) | List Price | Finish |
|---|------|--------------|---------|---------|--------|---------------|---|---|
|  | 868- | 15" | 18 5/8" | 2" | 2 1/8" | \$430.00 |  |  Ancient Bronze (ABZ)  Corinthian Silver (CRS) |
| | | | | | | | |  Michelangelo Bronze (MIBZ)  Redington Brass (RB) |







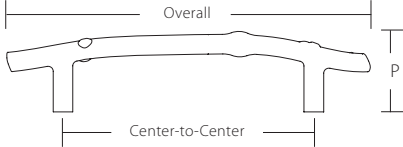
| SIENA APPLIANCE PULL | | Product Code | C-to-C | Overall | Width | Projection(P) | List Price | Finish |
|---|------|--------------|---------|---------|--------|---------------|---|--|
|  | 257- | 12" | 12 3/4" | 7/8" | 1 3/4" | \$196.00 |  |  Ancient Bronze (ABZ)  Vibra Nickel (VN) |

STANDARD MOUNTING - APPLIANCE PULLS












| TURNO APPLIANCE PULL | Product Code | C-to-C | Overall | Width | Projection(P) | List Price | Finish |
|---|--|--------|---------|-------|---------------|------------|---|
|  | 211027- | 18" | 18 5/8" | 5/8" | 1 7/8" | \$604.00 |  Black Bronze (BB)  Light Bronze (LB)  Natural Bronze (NB)  Polished White Bronze (PWB) |
| |  | | | | | | |




| MOUNTAIN APPLIANCE PULL | Product Code | C-to-C | Overall | Width | Projection(P) | List Price | Finish |
|--|--------------|--------|---------|--------|---------------|------------|---|
|  | 779- | 12" | 13 1/8" | 7/8" | 1 5/8" | \$222.00 |  Antique Silver (AS)  Antique Bronze (AZ)  Italian Nickel (IN)  Natural Bronze (NB)  Verdi Imperiale (VI) |
| | 780- | 18" | 19 5/8" | 1 1/8" | 1 3/4" | \$421.00 | |
|  | | | | | | | |










| ARTIFEX APPLIANCE PULL | Product Code | C-to-C | Overall | Width | Projection(P) | List Price | Finish |
|--|--------------|--------|---------|--------|---------------|------------|--|
|  | 779- | 12" | 13 1/8" | 7/8" | 1 5/8" | \$222.00 |  Dark Pewter (DP)  Natural (N) |
| | 780- | 18" | 19 5/8" | 1 1/8" | 1 3/4" | \$421.00 | |
|  | | | | | | | |

| MOUNTAIN TWIG APPLIANCE PULL | Product Code | C-to-C | Overall | Width | Projection(P) | List Price | Finish |
|---|--|--------|---------|-------|---------------|------------|---|
|  | 785- | 12" | 15 5/8" | 5/8" | 2 1/8" | \$421.00 |  Antique Silver (AS)  Antique Bronze (AZ)  Italian Nickel (IN)  Natural Bronze (NB)  Verdi Imperiale (VI) |
| |  | | | | | | |





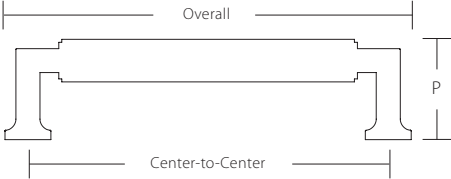



APPLIANCE PULLS - STANDARD & CONCEALED SURFACE MOUNTINGS







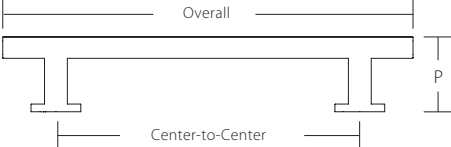
| EMPIRE APPLIANCE PULL | Optional Mounting | Product Code | C-to-C | Overall | Width | Projection(P) | List Price | Finish | |
|---|-------------------|--------------|--------|---------|--------|---------------|------------|---|--|
|  | CS | 880- | 12" | 13 1/8" | 1 1/8" | 1 5/8" | \$207.00 |  Satin Nickel (15)  Polished Chrome (26)  Ancient Bronze (ABZ) | |
| | CS | 881- | 15" | 16" | 1 1/4" | 1 5/8" | \$227.00 | | |
| | | | | | | | | |  Antique Nickel (AN)  Brushed Bronze (BBZ)  Brushed Nickel (BN) |
| | | | | | | | | |  Empire Bronze (EBZ)  Matte Black (MB)  Polished Nickel (PN) |
| | | | | | | | | |  Signature Satin Brass (SSB) |
| | | | | | | | | | |
| | | | | | | | | | |
| | | | | | | | | | |
| | | | | | | | | | |
| | | | | | | | | | |







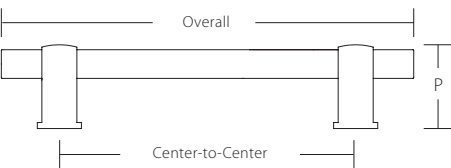
| VERSAILLES APPLIANCE PULL | Optional Mounting | Product Code | C-to-C | Overall | Width | Projection(P) | List Price | Finish |
|--|-------------------|--------------|--------|---------|-------|---------------|------------|---|
|  | CS | 764- | 10" | 10 3/4" | 7/8" | 2 1/2" | \$305.00 |  Oil Rubbed Bronze (10B)  Satin Nickel (15) |
| | | | | | | | | |
| | | | | | | | | |

| COLONIAL APPLIANCE PULL | Optional Mounting | Product Code | C-to-C | Overall | Width | Projection(P) | List Price | Finish | |
|---|-------------------|--------------|--------|---------|-------|---------------|------------|---|--|
|  | CS | 749- | 12" | 12 7/8" | 1" | 2 1/4" | \$251.00 |  Oil Rubbed Bronze (10B)  Satin Nickel (15) | |
| | CS | 7495- | 15" | 16" | 1" | 2 1/4" | \$406.00 | | |
| | | | | | | | | |  Polished Chrome (26)  Antique Nickel (AN) |
| | | | | | | | | |  Aurora Bronze (AUB)  Flat Black (FB) |
| | | | | | | | | |  Polished Nickel (PN)  Satin Brass (SB) |
| | | | | | | | | | |
| | | | | | | | | | |
| | | | | | | | | | |
| | | | | | | | | | |
| | | | | | | | | | |




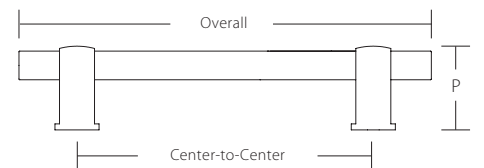





STANDARD, CONCEALED SURFACE & BACK TO BACK MOUNTINGS - APPLIANCE PULLS




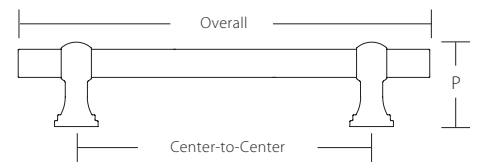




| HANIBURTON APPLIANCE PULL | | Optional Mounting | Product Code | C-to-C | Overall | Width | Projection(P) | List Price | Back-to-Back List Price | Finish |
|---|-----------|--|--------------|--------|---------|--------|---------------|------------|--|---|
|  | CS or BTB | 482- | 12" | 13" | 1" | 1 7/8" | \$316.00 | \$632.00 |  Satin Nickel (15)  Polished Chrome (26)  Matte Black (MB) | |
| | CS or BTB | 479- | 15" | 16" | 1" | 1 7/8" | \$397.00 | \$794.00 | | |
| | CS or BTB | 483- | 18" | 19" | 1" | 1 7/8" | \$479.00 | \$958.00 | | |
| | |  | | | | | | | |  Polished Nickel (PN)  Satin Brass (SB)  Unlacquered Brass (UNBR) |






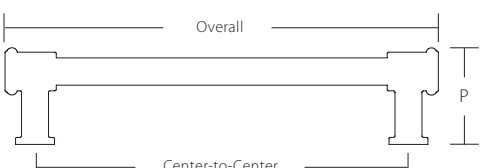
| HEATHROW APPLIANCE PULL | | Optional Mounting | Product Code | C-to-C | Overall | Width | Projection(P) | List Price | Back-to-Back List Price | Finish |
|--|-----------|--|--------------|---------|---------|-------|---------------|------------|---|--------|
|  | CS or BTB | 557- | 12" | 14 1/2" | 1" | 2" | \$207.00 | \$414.00 |  Polished Chrome (26)  Brushed Nickel (BN)  Matte Black (MB)  Polished Nickel (PN)  Signature Satin Brass (SSB) | |
| | CS or BTB | 558- | 18" | 20 1/2" | 1" | 2" | \$302.00 | \$604.00 | | |
| | CS or BTB | 559- | 24" | 26 1/2" | 1" | 2" | \$333.00 | \$666.00 | | |
| | |  | | | | | | | | |

| FONCÉ APPLIANCE PULL | | Optional Mounting | Product Code | C-to-C | Overall | Width | Projection(P) | List Price | Back-to-Back List Price | Finish |
|---|----------------|--|--------------|--------|---------|-------|---------------|------------|---|--------|
|  | CS or BTB | 422- | 12" | 15" | 1 1/8" | 2" | \$207.00 | \$414.00 |  Matte Black (MB)  Matte Black Bar/Polished Nickel Stem (MB-PN)  Matte Black Bar/Satin Brass Stem (MB-SB)  Polished Nickel (PN)  Satin Brass (SB) | |
| | Non-Adjustable | | | | | | | | | |
| | |  | | | | | | | | |









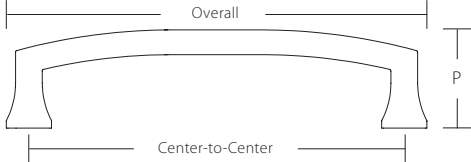
APPLIANCE PULLS - STANDARD, CONCEALED SURFACE & BACK TO BACK MOUNTINGS









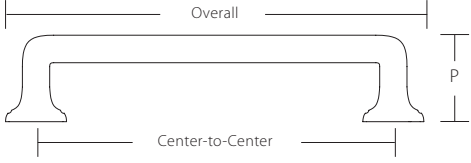
| LUMIERE APPLIANCE PULL | Optional Mounting | Product Code | C-to-C | Overall | Width | Projection(P) | List Price | Back-to-Back List Price | Finish |
|---|---|--------------|--------|---------|--------|---------------|------------|-------------------------|--|
|  <p>Adjustable Acrylic</p> | CS or BTB | 402- | 12" | 15" | 1 1/8" | 2" | \$207.00 | \$414.00 |  Oil Rubbed Bronze (10B)  Satin Nickel (15) |
| |  | | | | | | | |  Polished Chrome (26)  Brushed Rose Gold (BRG) |
| | | | | | | | | |  Matte Black (MB)  Polished Nickel (PN) |
| | | | | | | | | |  Satin Brass (SB) |






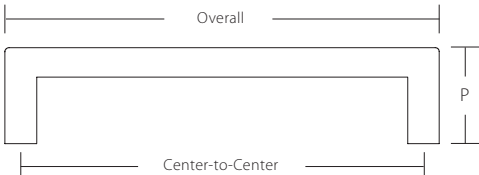
| LUMIERE TRANSITIONAL APPLIANCE PULL | Optional Mounting | Product Code | C-to-C | Overall | Width | Projection(P) | List Price | Back-to-Back List Price | Finish |
|---|---|--------------|--------|---------|--------|---------------|------------|-------------------------|---|
|  <p>Adjustable Acrylic</p> | CS or BTB | 412- | 12" | 15" | 1 1/8" | 2 1/4" | \$207.00 | \$414.00 |  Polished Brass (03)  Satin Nickel (15) |
| |  | | | | | | | |  Polished Chrome (26)  Polished Nickel (PN) |
| | | | | | | | | |  Polished Rose Gold (PRG)  Satin Brass (SB) |

| STEAMWORKS APPLIANCE PULL | Optional Mounting | Product Code | C-to-C | Overall | Width | Projection(P) | List Price | Back-to-Back List Price | Finish |
|---|-------------------|--------------|--------|---------|-------|---------------|------------|-------------------------|---|
|  | CS or BTB | 79-12- | 12" | 13 7/8" | 7/8" | 2" | \$207.00 | \$414.00 |  Satin Nickel (15)  Brushed Bronze (BBZ) |
| | CS or BTB | 79-15- | 15" | 17" | 1" | 2 1/4" | \$227.00 | \$454.00 |  Distressed Pewter/Copper (DP-C)  Empire Bronze (EBZ) |
|  | | | | | | | | | |


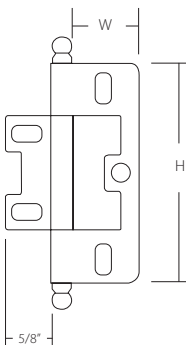











STANDARD, CONCEALED SURFACE & BACK TO BACK MOUNTINGS - APPLIANCE PULLS


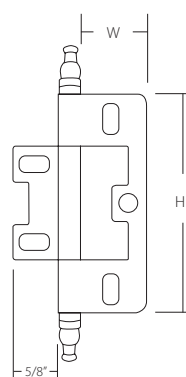







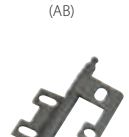




| MENLO PARK ARCHED APPLIANCE PULL | | Optional Mounting | Product Code | C-to-C | Overall | Width | Projection(P) | List Price | Back-to-Back List Price | Finish |
|---|------------------|-------------------|--------------|---------|---------|-------|---------------|------------|---|---|
|  | CS or BTB | 539- | 15" | 16 1/8" | 1 1/4" | 2" | \$227.00 | \$454.00 |  Satin Nickel (15)  Polished Chrome (26)  Ancient Bronze (ABZ) | |
| | | | | | | | | | |  Brushed Nickel (BN)  Matte Black (MB)  Polished Nickel (PN) |
| | | | | | | | | | |  Signature Satin Brass (SSB) |
| | | | | | | | | | |  |


| MENLO PARK APPLIANCE PULL | | Optional Mounting | Product Code | C-to-C | Overall | Width | Projection(P) | List Price | Back-to-Back List Price | Finish |
|---|------------------|-------------------|--------------|---------|---------|--------|---------------|------------|---|---|
|  | CS or BTB | 535- | 15" | 16 1/4" | 1 1/4" | 1 7/8" | \$227.00 | \$454.00 |  Satin Nickel (15)  Polished Chrome (26)  Ancient Bronze (ABZ) | |
| | | | | | | | | | |  Brushed Nickel (BN)  Matte Black (MB)  Polished Nickel (PN) |
| | | | | | | | | | |  Signature Satin Brass (SSB) |
| | | | | | | | | | |  |

| VINCI APPLIANCE PULL | | Optional Mounting | Product Code | C-to-C | Overall | Width | Projection(P) | List Price | Back-to-Back List Price | Finish |
|---|------------------|-------------------|--------------|---------|---------|-------|---------------|------------|---|--|
|  | CS or BTB | 788-12A- | 12" | 12 3/4" | 7/8" | 2" | \$399.00 | \$798.00 |  Antique Bronze (AZ)  Black Bronze (BB) | |
| | CS or BTB | 788-18A- | 18" | 18 3/4" | 1" | 2" | \$604.00 | \$1,208.00 |  Natural Bronze (NB)  Polished White Bronze (PWB) | |
| | | | | | | | | | |  |

NON-MORTISE HINGES

| BALL TIP NON-MORTISE HINGES | Product Code | W x H | Depth | List Price | Finish |
|---|--------------|---------------|-------|------------|--|
|  | 1100B- | 7/8" x 2 1/2" | 1/16" | \$21.00 |  <div data-bbox="981 220 1444 966">  Polished Brass (03)  Oil Rubbed Bronze (10B)  Satin Nickel (15)  Polished Chrome (26)  Antique Brass (AB)  Antique Light Brass (ALB)  Antique Nickel (AN)  Distressed Bronze (DBZ)  Distressed Nickel (DN)  Flat Black (FB)  Michelangelo Bronze (MIBZ)  Polished Nickel (PN) </div> |

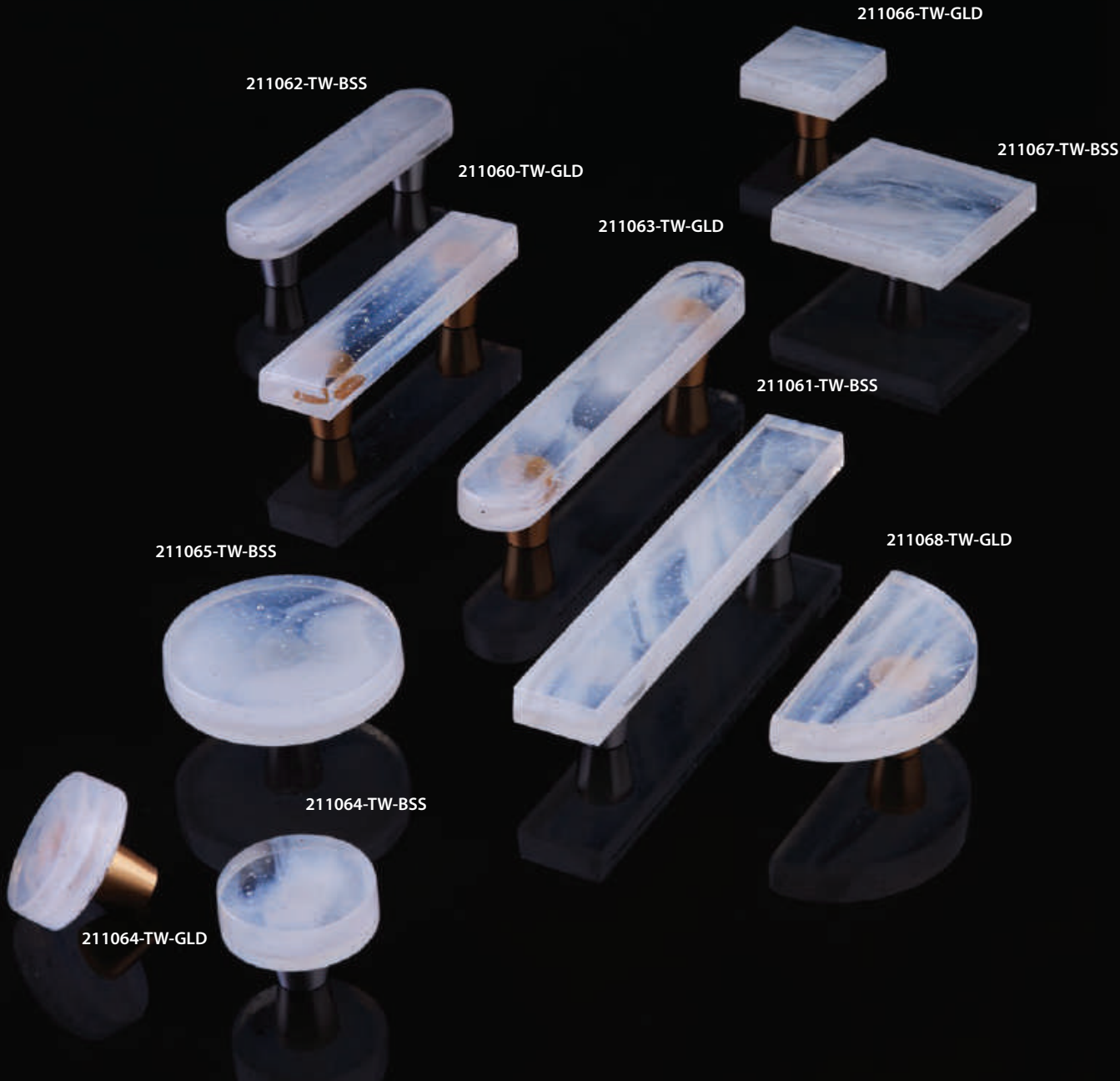
| MINARET TIP NON-MORTISE HINGES | Product Code | W x H | Depth | List Price | Finish |
|---|--------------|---------------|-------|------------|--|
|  | 1100M- | 7/8" x 2 1/2" | 1/16" | \$21.00 |  <div data-bbox="981 1113 1444 1963">  Polished Brass (03)  Oil Rubbed Bronze (10B)  Satin Nickel (15)  Polished Chrome (26)  Antique Brass (AB)  Antique Light Brass (ALB)  Antique Nickel (AN)  Distressed Bronze (DBZ)  Distressed Nickel (DN)  Flat Black (FB)  Michelangelo Bronze (MIBZ)  Polished Nickel (PN) </div> |

| BALL TIP MORTISE HINGES | Product Code | W x H | Depth | List Price | Finish |
|---|--------------|-------------|-------|------------|--|
|  | 1111B- | 1 3/4" x 2" | 1/16" | \$21.00 | |
| | | | | | <div data-bbox="1050 268 1257 445"> <p>Polished Brass (03)</p> </div> <div data-bbox="1279 277 1487 445"> <p>Oil Rubbed Bronze (10B)</p> </div> <div data-bbox="1056 554 1264 730"> <p>Satin Nickel (15)</p> </div> <div data-bbox="1279 554 1487 730"> <p>Polished Chrome (26)</p> </div> <div data-bbox="1050 835 1257 1012"> <p>Antique Brass (AB)</p> </div> <div data-bbox="1279 835 1487 1012"> <p>Antique Light Brass (ALB)</p> </div> <div data-bbox="1056 1117 1264 1293"> <p>Antique Nickel (AN)</p> </div> <div data-bbox="1279 1117 1487 1293"> <p>Distressed Bronze (DBZ)</p> </div> <div data-bbox="1050 1398 1257 1575"> <p>Distressed Nickel (DN)</p> </div> <div data-bbox="1279 1398 1487 1575"> <p>Flat Black (FB)</p> </div> <div data-bbox="1050 1680 1257 1856"> <p>Michelangelo Bronze (MIBZ)</p> </div> <div data-bbox="1279 1680 1487 1856"> <p>Polished Nickel (PN)</p> </div> |
| | | | | | |

Symphony



Symphony Collection pieces include those made with time-honored techniques like lost wax casting, those featuring whimsical elements like animals and florals, as well as motifs crafted from some of the most stunning organic materials on Earth, including Mother of Pearl and Tiger Penshell.



| PART # | DESCRIPTION | LIST PRICE |
|---------------|---|------------|
| 211060-TW-BSS | Rectangular Pull 4-1/2" x 1" Overall, 3" cc, Translucent White, Conical Stem, Brushed Stainless Steel | \$138.00 |
| 211060-TW-GLD | Rectangular Pull 4-1/2" x 1" Overall, 3" cc, Translucent White, Conical Stem, Gold | \$138.00 |
| 211061-TW-BSS | Rectangular Pull 6" x 1" Overall, 4" cc, Translucent White, Conical Stem, Brushed Stainless Steel | \$159.00 |
| 211061-TW-GLD | Rectangular Pull 6" x 1" Overall, 4" cc, Translucent White, Conical Stem, Gold | \$159.00 |
| 211062-TW-BSS | Oval Pull 4-1/2" x 1" Overall, 3" cc, Translucent White, Conical Stem, Brushed Stainless Steel | \$138.00 |
| 211062-TW-GLD | Oval Pull 4-1/2" x 1" Overall, 3" cc, Translucent White, Conical Stem, Gold | \$138.00 |
| 211063-TW-BSS | Oval Pull 6" x 1" Overall, 4" cc, Translucent White, Conical Stem, Brushed Stainless Steel | \$159.00 |
| 211063-TW-GLD | Oval Pull 6" x 1" Overall, 4" cc, Translucent White, Conical Stem, Gold | \$159.00 |
| 211064-TW-BSS | Small Round Knob 1-1/2" Dia, Translucent White, Conical Stem, Brushed Stainless Steel | \$95.00 |
| 211064-TW-GLD | Small Round Knob 1-1/2" Dia, Translucent White, Conical Stem, Gold | \$95.00 |
| 211065-TW-BSS | Large Round Knob 2-1/2" Dia, Translucent White, Conical Stem, Brushed Stainless Steel | \$127.00 |
| 211065-TW-GLD | Large Round Knob 2-1/2" Dia, Translucent White, Conical Stem, Gold | \$127.00 |
| 211066-TW-BSS | Small Square Knob 1-1/2" Dia, Translucent White, Conical Stem, Brushed Stainless Steel | \$95.00 |
| 211066-TW-GLD | Small Square Knob 1-1/2" Dia, Translucent White, Conical Stem, Gold | \$95.00 |
| 211067-TW-BSS | Large Square Knob 2-1/2" Dia, Translucent White, Conical Stem, Brushed Stainless Steel | \$127.00 |
| 211067-TW-GLD | Large Square Knob 2-1/2" Dia, Translucent White, Conical Stem, Gold | \$127.00 |
| 211068-TW-BSS | Half Moon Knob 3" Dia, Translucent White, Conical Stem, Brushed Stainless Steel | \$117.00 |
| 211068-TW-GLD | Half Moon Knob 3" Dia, Translucent White, Conical Stem, Gold | \$117.00 |



| PART # | DESCRIPTION | LIST PRICE |
|--------|--|------------|
| 650-AD | Knob, Round, Imperial Shell, White/Yellow Pearl, Aged Dover, 1-1/8" dia | \$111.00 |
| 651-AD | Knob, Round, Imperial Shell, White/Yellow Pearl, Aged Dover, 1-1/2" dia | \$164.00 |
| 653-AD | Knob, Round, Imperial Shell, Mother of Pearl, Aged Dover, 1-3/8" dia | \$164.00 |
| 653-PN | Knob, Round, Imperial Shell, Mother of Pearl, Polished Nickel, 1-3/8" dia | \$164.00 |
| 654-AD | Knob, Rectangle, Imperial Shell, Mother of Pearl, Aged Dover, 1-1/4" x 7/8" | \$182.00 |
| 654-PN | Knob, Rectangle, Imperial Shell, Mother of Pearl, Polished Nickel, 1-1/4" x 7/8" | \$182.00 |
| 655-PB | Knob, Round, Imperial Shell, Mother of Pearl, Polished Brass, 1-1/2" dia | \$202.00 |
| 655-PN | Knob, Round, Imperial Shell, Mother of Pearl, Polished Nickel, 1-1/2" dia | \$202.00 |
| 656-PB | Pull, Imperial Shell, Mother of Pearl, Polished Brass, 3/4" cc | \$164.00 |
| 656-PN | Pull, Imperial Shell, Mother of Pearl, Polished Nickel, 3/4" cc | \$164.00 |
| 657-PB | Knob, Oval, Imperial Shell, Polished Brass, 1-1/2" x 1-1/8" | \$159.00 |
| 657-PN | Knob, Oval, Imperial Shell, Polished Nickel, 1-1/2" x 1-1/8" | \$159.00 |



| PART # | DESCRIPTION | LIST PRICE |
|-------------|--|------------|
| 658-ED | Knob, Imperial Shell, White Mother of Pearl, Estate Dover, 1-3/8" | \$182.00 |
| 658-R-PB | Knob, Red & White Mother of Pearl, Polished Brass, 1-3/8" | \$182.00 |
| 659-WP-AD | Knob, Rectangle, Imperial Shell, White Mother of Pearl, Aged Dover, 1-7/8" x 1-1/4" | \$184.00 |
| 659-YP-AD | Knob, Rectangle, Imperial Shell, Yellow Mother of Pearl, Aged Dover, 1-7/8" x 1-1/4" | \$184.00 |
| 660-PN | Pull, Ribbon, White Mother of Pearl, Polished Nickel, 3" cc | \$207.00 |
| 661-PEN-DAB | Knob, Tiger Penshell, Imperial Shell, Dark Antique Bronze, 1-7/8" x 1" | \$148.00 |
| 661-PN | Knob, Mother of Pearl, Imperial Shell, Polished Nickel, 1-7/8" x 1" | \$148.00 |
| 662-PEN-DAB | Pull, Tiger Penshell, Imperial Shell, Dark Antique Bronze, 4" cc | \$223.00 |
| 662-PN | Pull, Mother of Pearl, Imperial Shell, Polished Nickel, 4" cc | \$223.00 |
| 671-B-PN | Square Knob, Black Mother of Pearl, Polished Nickel, 1-1/4" | \$133.00 |
| 671-W-PN | Square Knob, White Mother of Pearl, Polished Nickel, 1-1/4" | \$133.00 |

SYMPHONY - CANTATA



| PART # | DESCRIPTION | LIST PRICE | PART # | DESCRIPTION | LIST PRICE |
|---------|--|------------|---------|--|------------|
| 993-DG | Knob, Oval, Dark Glaze, 5/8" cc, 1-1/4" x 2" | \$102.00 | 996-DG | Oblong Knob, Dark Glaze, 7/8" x 2" | \$88.00 |
| 993-DIA | Knob, Oval, Dark Italian Antique, 5/8" cc, 1-1/4" x 2" | \$102.00 | 996-DIA | Oblong Knob, Dark Italian Antique, 7/8" x 2" | \$88.00 |
| 993-MBR | Knob, Oval, Monticello Brass, 5/8" cc, 1-1/4" x 2" | \$102.00 | 996-MBR | Oblong Knob, Monticello Brass, 7/8" x 2" | \$88.00 |
| 994-DG | Knob, Round, Dark Glaze, 1-1/4" dia | \$86.00 | 997-DG | Pull, Dark Glaze, 8" cc | \$481.00 |
| 994-DIA | Knob, Round, Dark Italian Antique, 1-1/4" dia | \$86.00 | 997-DIA | Pull, Dark Italian Antique, 8" cc | \$481.00 |
| 994-MBR | Knob, Round, Monticello Brass, 1-1/4" dia | \$86.00 | 997-MBR | Pull, Monticello Brass, 8" cc | \$481.00 |
| 995-DG | Pull, Dark Glaze, 5" cc | \$161.00 | 998-DG | Pull, Dark Glaze, 12" cc | \$961.00 |
| 995-DIA | Pull, Dark Italian Antique, 5" cc | \$161.00 | 998-DIA | Pull, Dark Italian Antique, 12" cc | \$961.00 |
| 995-MBR | Pull, Monticello Brass, 5" cc | \$161.00 | 998-MBR | Pull, Monticello Brass, 12" cc | \$961.00 |



| PART # | DESCRIPTION | LIST PRICE | PART # | DESCRIPTION | LIST PRICE |
|---------|---|------------|---------|---|------------|
| 993-MSL | Knob, Oval, Monticello Silver, 5/8" cc, 1-1/4" x 2" | \$102.00 | 996-MSL | Oblong Knob, Monticello Silver, 7/8" x 2" | \$88.00 |
| 993-WB | Knob, Oval, White Brass, 5/8" cc, 1-1/4" x 2" | \$102.00 | 996-WB | Oblong Knob, White Brass, 7/8" x 2" | \$88.00 |
| 994-MSL | Knob, Round, Monticello Silver, 1-1/4" dia | \$86.00 | 997-MSL | Pull, Monticello Silver, 8" cc | \$481.00 |
| 994-WB | Knob, Round, White Brass, 1-1/4" dia | \$86.00 | 997-WB | Pull, White Brass, 8" cc | \$481.00 |
| 995-MSL | Pull, Monticello Silver, 5" cc | \$161.00 | 998-MSL | Pull, Monticello Silver, 12" cc | \$961.00 |
| 995-WB | Pull, White Brass, 5" cc | \$161.00 | 998-WB | Pull, White Brass, 12" cc | \$961.00 |

SYMPHONY - IMPERIAL SHELL



| PART # | DESCRIPTION | LIST PRICE | PART # | DESCRIPTION | LIST PRICE |
|-----------|---|------------|-------------|---|------------|
| 664-IM-PN | Knob, Imperial Shell, Polished Nickel, 1-1/2" x 1-1/4" | \$127.00 | 857-IM-PN | Knob, Round, Imperial Shell, Polished Nickel, 1-1/4" dia | \$88.00 |
| 818-IM-PN | Knob, Square, Imperial Shell, Polished Nickel, 1-3/8" | \$124.00 | 858-IM-PN | Pull, Imperial Shell, Polished Nickel, 4" cc | \$155.00 |
| 819-IM-PN | Pull, Imperial Shell, Polished Nickel, 3" cc | \$163.00 | 989-IM-PN | Pendant Pull, Imperial Shell, Polished Nickel, 1-3/8" dia | \$167.00 |
| 850-IM-PN | Pull, Fish, Imperial Shell, Polished Nickel, 4-1/2" cc | \$159.00 | 990-IM-PN | Knob, Round, Imperial Shell, Polished Nickel, 1-3/8" dia | \$141.00 |
| 851-IM-PN | Knob, Rectangle, Imperial Shell, Polished Nickel, 1-1/2" x 1-1/4" | \$87.00 | 992-4-IM-PN | Pull, Imperial Shell, Polished Nickel, 4" cc | \$179.00 |
| 852-IM-PN | Pull, Imperial Shell, Polished Nickel, 3" cc | \$169.00 | 992-6-IM-PN | Pull, Imperial Shell, Polished Nickel, 6" cc | \$207.00 |
| 853-IM-PN | Knob, Round, Imperial Shell, Polished Nickel, 1-3/8" dia | \$124.00 | 992-8-IM-PN | Pull, Imperial Shell, Polished Nickel, 8" cc | \$267.00 |
| 854-IM-PN | Cup Pull, Imperial Shell, Polished Nickel, 3" cc | \$155.00 | | | |



| PART # | DESCRIPTION | LIST PRICE | PART # | DESCRIPTION | LIST PRICE |
|------------|--|------------|--------------|--|------------|
| 664-MOP-PN | Knob, White Mother of Pearl, Polished Nickel, 1-1/2" x 1-1/4" | \$127.00 | 857-MOP-PN | Knob, Round, Mother of Pearl, Polished Nickel, 1-1/4" dia | \$88.00 |
| 818-MOP-PN | Knob, Square, Mother of Pearl, Polished Nickel, 1-3/8" | \$124.00 | 858-MOP-PN | Pull, Mother of Pearl, Polished Nickel, 4" cc | \$155.00 |
| 819-MOP-PN | Pull, Mother of Pearl, Polished Nickel, 3" cc | \$163.00 | 989-MOP-PN | Pendant Pull, Mother of Pearl, Polished Nickel, 1-3/8" dia | \$167.00 |
| 850-MOP-PN | Pull, Fish, Mother of Pearl, Polished Nickel, 4-1/2" cc | \$159.00 | 990-MOP-PN | Knob, Round, Mother of Pearl, Polished Nickel, 1-3/8" dia | \$141.00 |
| 851-MOP-PN | Knob, Rectangle, Mother of Pearl, Polished Nickel, 1-1/2" x 1-1/4" | \$87.00 | 992-4-MOP-PN | Pull, Mother of Pearl, Polished Nickel, 4" cc | \$179.00 |
| 852-MOP-PN | Pull, Mother of Pearl, Polished Nickel, 3" cc | \$169.00 | 992-6-MOP-PN | Pull, Mother of Pearl, Polished Nickel, 6" cc | \$207.00 |
| 853-MOP-PN | Knob, Round, Mother of Pearl, Polished Nickel, 1-3/8" dia | \$124.00 | 992-8-MOP-PN | Pull, Mother of Pearl, Polished Nickel, 8" cc | \$267.00 |
| 854-MOP-PN | Cup Pull, Mother of Pearl, Polished Nickel, 3" cc | \$155.00 | | | |

SYMPHONY - TIGER PENSHELL



| PART # | DESCRIPTION | LIST PRICE | PART # | DESCRIPTION | LIST PRICE |
|-------------|--|------------|--------------|--|------------|
| 664-PEN-ED | Knob, Tiger Penshell, Estate Dover, 1-1/2" x 1-1/4" | \$127.00 | 857-PEN-ED | Knob, Round, Tiger Penshell, Estate Dover, 1-1/4" dia | \$88.00 |
| 818-PEN-DAB | Knob, Square, Tiger Penshell, Dark Antique Bronze, 1-3/8" | \$124.00 | 858-PEN-ED | Pull, Tiger Penshell, Estate Dover, 4" cc | \$155.00 |
| 819-PEN-DAB | Pull, Tiger Penshell, Dark Antique Bronze, 3" cc | \$163.00 | 989-PEN-ED | Pendant Pull, Tiger Penshell, Estate Dover, 1-3/8" dia | \$167.00 |
| 850-PEN-ED | Pull, Fish, Tiger Penshell, Estate Dover, 4-1/2" cc | \$159.00 | 990-PEN-ED | Knob, Round, Tiger Penshell, Estate Dover, 1-3/8" dia | \$141.00 |
| 851-PEN-ED | Knob, Rectangle, Tiger Penshell, Estate Dover, 1-1/2" x 1-1/4" | \$87.00 | 992-4-PEN-ED | Pull, Tiger Penshell, Estate Dover, 4" cc | \$179.00 |
| 852-PEN-ED | Pull, Tiger Penshell, Estate Dover, 3" cc | \$169.00 | 992-6-PEN-ED | Pull, Tiger Penshell, Estate Dover, 6" cc | \$207.00 |
| 853-PEN-ED | Knob, Round, Tiger Penshell, Estate Dover, 1-3/8" dia | \$124.00 | 992-8-PEN-ED | Pull, Tiger Penshell, Estate Dover, 8" cc | \$267.00 |
| 854-PEN-ED | Cup Pull, Tiger Penshell, Estate Dover, 3" cc | \$155.00 | | | |



| PART # | DESCRIPTION | LIST PRICE | PART # | DESCRIPTION | LIST PRICE |
|----------|---|------------|----------|---|------------|
| 817-MBR | Knob with Backplate, Monticello Brass, 7-3/8" | \$138.00 | 935R-MBR | Pull, Right Hand, Monticello Brass, 3-1/2" cc | \$112.00 |
| 915-MBR | Cup Pull, Monticello Brass, 2" cc | \$171.00 | 936-MBR | Knob, Round, Monticello Brass, 1-1/4" dia | \$72.00 |
| 919-MBR | Cup Pull, Monticello Brass, 6-1/2" cc | \$176.00 | 937-MBR | Knob, Round, Monticello Brass, 1-1/2" dia | \$89.00 |
| 934L-MBR | Pull, Left Hand, Monticello Brass, 5" cc | \$161.00 | 987-MBR | Pull, Swag, Monticello Brass, 3-1/2" cc | \$119.00 |
| 934R-MBR | Pull, Right Hand, Monticello Brass, 5" cc | \$161.00 | 988-MBR | Pull, Large Swag, Monticello Brass, 5-3/8" cc | \$155.00 |
| 935L-MBR | Pull, Left Hand, Monticello Brass, 3-1/2" cc | \$112.00 | | | |

SYMPHONY - FRENCH COURT



| PART # | DESCRIPTION | LIST PRICE | PART # | DESCRIPTION | LIST PRICE |
|---------|--|------------|---------|--|------------|
| 817-WB | Knob with Backplate, White Brass, 7-3/8" | \$138.00 | 935R-WB | Pull, Right Hand, White Brass, 3-1/2" cc | \$112.00 |
| 915-WB | Cup Pull, White Brass, 2" cc | \$171.00 | 936-WB | Knob, Round, White Brass, 1-1/4" dia | \$78.00 |
| 919-WB | Cup Pull, White Brass, 6-1/2" cc | \$176.00 | 937-WB | Knob, Round, White Brass, 1-1/2" dia | \$101.00 |
| 934L-WB | Pull, Left Hand, White Brass, 5" cc | \$161.00 | 987-WB | Pull, Swag, White Brass, 3-1/2" cc | \$119.00 |
| 934R-WB | Pull, Right Hand, White Brass, 5" cc | \$161.00 | 988-WB | Pull, Large Swag, White Brass, 5-3/8" cc | \$155.00 |
| 935L-WB | Pull, Left Hand, White Brass, 3-1/2" cc | \$112.00 | | | |



| PART # | DESCRIPTION | LIST PRICE | PART # | DESCRIPTION | LIST PRICE |
|----------|--|------------|----------|--|------------|
| 817-MSL | Knob with Backplate, Monticello Silver, 7-3/8" | \$138.00 | 935R-MSL | Pull, Right Hand, Monticello Silver, 3-1/2" cc | \$112.00 |
| 915-MSL | Cup Pull, Monticello Silver, 2" cc | \$171.00 | 936-MSL | Knob, Round, Monticello Silver, 1-1/4" dia | \$78.00 |
| 919-MSL | Cup Pull, Monticello Silver, 6-1/2" cc | \$176.00 | 937-MSL | Knob, Round, Monticello Silver, 1-1/2" dia | \$101.00 |
| 934L-MSL | Pull, Left Hand, Monticello Silver, 5" cc | \$161.00 | 987-MSL | Pull, Swag, Monticello Silver, 3-1/2" cc | \$119.00 |
| 934R-MSL | Pull, Right Hand, Monticello Silver, 5" cc | \$161.00 | 988-MSL | Pull, Large Swag, Monticello Silver, 5-3/8" cc | \$155.00 |
| 935L-MSL | Pull, Left Hand, Monticello Silver, 3-1/2" cc | \$112.00 | | | |

SYMPHONY - SUNBURST



| PART # | DESCRIPTION | LIST PRICE | PART # | DESCRIPTION | LIST PRICE |
|---------|---|------------|----------|--|------------|
| 970-ED | Round Knob with Backplate, Estate Dover, 1-1/4" dia | \$104.00 | 9755-ED | Pull, Estate Dover, 5" cc | \$119.00 |
| 970-HLB | Round Knob with Backplate, Highlighted Bronze, 1-1/4" dia | \$104.00 | 9755-HLB | Pull, Highlighted Bronze, 5" cc | \$119.00 |
| 970-SA | Round Knob with Backplate, Silver Antique, 1-1/4" dia | \$104.00 | 9755-SA | Pull, Silver Antique, 5" cc | \$119.00 |
| 972-ED | Knob, Round, Estate Dover, 1-3/8" dia | \$65.00 | 977-ED | Ring Pull with Backplate, Estate Dover, 1-3/8" dia | \$101.00 |
| 972-HLB | Knob, Round, Highlighted Bronze, 1-3/8" dia | \$65.00 | 977-HLB | Ring Pull with Backplate, Highlighted Bronze, 1-3/8" dia | \$101.00 |
| 972-SA | Knob, Round, Silver Antique, 1-3/8" dia | \$65.00 | 977-SA | Ring Pull with Backplate, Silver Antique, 1-3/8" dia | \$101.00 |
| 974-ED | Knob, Round, Estate Dover, 1-1/2" dia | \$76.00 | 978-ED | Bail Pull with Rosettes, Estate Dover, 5-1/2" cc | \$133.00 |
| 974-HLB | Knob, Round, Highlighted Bronze, 1-1/2" dia | \$76.00 | 978-HLB | Bail Pull with Rosettes, Highlighted Bronze, 5-1/2" cc | \$133.00 |
| 974-SA | Knob, Round, Silver Antique, 1-1/2" dia | \$76.00 | 978-SA | Bail Pull with Rosettes, Silver Antique, 5-1/2" cc | \$133.00 |



| PART # | DESCRIPTION | LIST PRICE | PART # | DESCRIPTION | LIST PRICE |
|----------|--|------------|----------|---|------------|
| 927-DAB | Knob, Round, Dark Antique Bronze, 1-1/4" dia | \$57.00 | 968M-DAB | Knob, Round, Dark Antique Bronze, 1-5/16" dia | \$53.00 |
| 927-PAR | Knob, Round, Paris Brass, 1-1/4" dia | \$57.00 | 968M-PAR | Knob, Round, Paris Brass, 1-5/16" dia | \$53.00 |
| 927-WB | Knob, Round, White Brass, 1-1/4" dia | \$57.00 | 968M-WB | Knob, Round, White Brass, 1-5/16" dia | \$53.00 |
| 930-DAB | Knob, Round, Dark Antique Bronze, 1-1/4" dia | \$62.00 | 969M-DAB | Knob, Round, Dark Antique Bronze, 1-5/16" dia | \$81.00 |
| 930-PAR | Knob, Round, Paris Brass, 1-1/4" dia | \$62.00 | 969M-PAR | Knob, Round, Paris Brass, 1-1/4" dia | \$81.00 |
| 930-WB | Knob, Round, White Brass, 1-1/4" dia | \$62.00 | 969M-WB | Knob, Round, White Brass, 1-1/4" dia | \$81.00 |
| 967M-DAB | Round Knob with Backplate, Dark Antique Bronze, 1-1/8" dia | \$83.00 | 982-DAB | Round Knob with Star Backplate, Dark Antique Bronze, 11/16" dia | \$60.00 |
| 967M-PAR | Round Knob with Backplate, Paris Brass, 1-1/8" dia | \$83.00 | 982-PAR | Round Knob with Star Backplate, Paris Brass, 11/16" dia | \$60.00 |
| 967M-PN | Round Knob with Backplate, Polished Nickel, 1-1/8" dia | \$83.00 | 982-PN | Round Knob with Star Backplate, Polished Nickel, 11/16" dia | \$60.00 |

SYMPHONY - VERSAILLES



| PART # | DESCRIPTION | LIST PRICE | PART # | DESCRIPTION | LIST PRICE |
|---------|--|------------|-----------|---|------------|
| 751-10B | Knob, Round, Oil Rubbed Bronze, 1-1/4" dia | \$23.00 | 761-10B | Backplate for Knob, Oil Rubbed Bronze, 4-1/4" | \$25.00 |
| 751-15 | Knob, Round, Satin Nickel, 1-1/4" dia | \$23.00 | 761-15 | Backplate for Knob, Satin Nickel, 4-1/4" | \$25.00 |
| 751-ALP | Knob, Round, Antique Light Polish, 1-1/4" dia | \$23.00 | 761-ALP | Backplate for Knob, Antique Light Polish, 4-1/4" | \$25.00 |
| 752-10B | Knob, Round, Oil Rubbed Bronze, 1-1/2" dia | \$27.00 | 762-10B | Pull, Oil Rubbed Bronze, 96 mm cc | \$34.00 |
| 752-15 | Knob, Round, Satin Nickel, 1-1/2" dia | \$27.00 | 762-15 | Pull, Satin Nickel, 96 mm cc | \$34.00 |
| 752-ALP | Knob, Round, Antique Light Polish, 1-1/2" dia | \$27.00 | 762-ALP | Pull, Antique Light Polish, 96 mm cc | \$34.00 |
| 753-10B | Pull, Oil Rubbed Bronze, 3" cc | \$27.00 | 763-10B | Backplate for Pull, Oil Rubbed Bronze, 96 mm cc | \$34.00 |
| 753-15 | Pull, Satin Nickel, 3" cc | \$27.00 | 763-15 | Backplate for Pull, Satin Nickel, 96 mm cc | \$34.00 |
| 753-ALP | Pull, Antique Light Polish, 3" cc | \$27.00 | 763-ALP | Backplate for Pull, Antique Light Polish, 96 mm cc | \$34.00 |
| 754-10B | Pull, Oil Rubbed Bronze, 3-1/2" cc | \$28.00 | 764-10B | Appliance Pull, Oil Rubbed Bronze, 10" cc | \$305.00 |
| 754-15 | Pull, Satin Nickel, 3-1/2" cc | \$28.00 | 764-15 | Appliance Pull, Satin Nickel, 10" cc | \$305.00 |
| 754-ALP | Pull, Antique Light Polish, 3-1/2" cc | \$28.00 | 764-ALP | Appliance Pull, Antique Light Polish, 10" cc | \$305.00 |
| 756-10B | Backplate for Knob, Oil Rubbed Bronze, 1-1/2" dia | \$16.00 | CS764-10B | Concealed Surface, Appliance Pull, Oil Rubbed Bronze, 10" cc | \$305.00 |
| 756-15 | Backplate for Knob, Satin Nickel, 1-1/2" dia | \$16.00 | CS764-15 | Concealed Surface, Appliance Pull, Satin Nickel, 10" cc | \$305.00 |
| 756-ALP | Backplate for Knob, Antique Light Polish, 1-1/2" dia | \$16.00 | CS764-ALP | Concealed Surface, Appliance Pull, Antique Light Polish, 10" cc | \$305.00 |



PART #

DESCRIPTION

LIST PRICE

| | | |
|-------------|--|----------|
| 942M-ED-PEN | Pull, Wine Bottle, Estate Dover/Penshell, 6" cc | \$644.00 |
| 942M-SN-MOP | Pull, Wine Bottle, Satin Nickel/Mother of Pearl, 6" cc | \$805.00 |
| 942S-ED-PEN | Pull, Wine Bottle, Estate Dover/Penshell, 3" cc | \$258.00 |
| 942S-SN-MOP | Pull, Wine Bottle, Satin Nickel/Mother of Pearl, 3" cc | \$324.00 |
| 944-AB-DBH | Pull, Wine Bottle with Grapes, Antique Brass/Dark Bronze Hi-lited, 1-1/2" cc | \$324.00 |
| 944-SN-DBH | Pull, Wine Bottle with Grapes, Satin Nickel/Dark Bronze Hi-lited, 1-1/2" cc | \$324.00 |
| 945-AWW | Pull, Grape Vine, Antique White Wash, 4-9/16" cc | \$324.00 |
| 945-DBH | Pull, Grape Vine, Dark Bronze Hi-lited, 4-9/16" cc | \$324.00 |

865-MOP-DSW



895-PBZ-HBZ



918-ED



951S-PEN



980L-PB-BZ



980R-PB-BZ



864-MOP-ED



897-ED

908-PBZ



892-MOP-ED



891-PAR



| PART # | DESCRIPTION | LIST PRICE | PART # | DESCRIPTION | LIST PRICE |
|-------------|---|------------|------------|--|------------|
| 864-MOP-ED | Pull, Turtle Pendant, Mother of Pearl/Penshell, Estate Dover, 2-3/8" x 3-1/2" | \$204.00 | 908-PBZ | Pull, Bee on Rose, Pompeian Bronze, 3-3/4" cc | \$88.00 |
| 865-MOP-DSW | Pull, Woodpecker, Mother of Pearl/Penshell, Dark Sherwood, 92 mm cc | \$318.00 | 918-ED | Pull, Octopus, Estate Dover, 4-1/4" cc | \$74.00 |
| 891-PAR | Pull, Butterfly, Mother of Pearl, Paris Brass, 1-1/2" cc | \$157.00 | 951S-PEN | Pull, Sea Crab, Tiger Penshell, 1-5/8" cc | \$324.00 |
| 892-MOP-ED | Pull, Dragonfly-Twig, Mother of Pearl/Tiger Penshell, Estate Dover, 3-1/8" cc | \$157.00 | 980L-PB-BZ | Knob, Shell, Left, Polished Brass, Dark Bronze, 1-1/2" x 1-1/4" | \$103.00 |
| 895-PBZ-HBZ | Pull, Frog on a Log, Pompeian Bronze, Highlighted Bronze, 5-1/2" cc | \$290.00 | 980R-PB-BZ | Knob, Shell, Right, Polished Brass, Dark Bronze, 1-1/2" x 1-1/4" | \$103.00 |
| 897-ED | Knob, Seahorse Pendant, Estate Dover, 1-1/4" x 1-1/2" | \$97.00 | | | |



| PART # | DESCRIPTION | LIST PRICE |
|------------|--|------------|
| 953P-ED | Pull, Peshell/Mother of Pearl, Estate Dover, 5" cc | \$323.00 |
| 953K-ED | Knob, Round, Peshell/Mother of Pearl, Estate Dover, 1-1/2" dia | \$146.00 |
| 954P-AB | Pull, Peshell/Mother of Pearl, Antique Brass, 5" cc | \$247.00 |
| 954K-AB | Knob, Round, Peshell/Mother of Pearl, Antique Brass, 1-1/2" dia | \$152.00 |
| 958P-AB | Pull, Mother of Pearl/Violet Oyster, Antique Brass, 6-1/2" cc | \$200.00 |
| 958K-AB | Knob, Round, Mother of Pearl/Violet Oyster, Antique Brass, 1-11/16" dia | \$128.00 |
| 960P-PB-AB | Pull, Peshell/Mother of Pearl, Polished Brass/Antique Brass, 6" cc | \$319.00 |
| 960K-PB-AB | Knob, Round, Peshell/Mother of Pearl, Polished Brass/Antique Brass, 1-1/2" dia | \$163.00 |

PRODUCT INDEX

| PRODUCT CODE | PRICE | PAGE | PRODUCT CODE | PRICE | PAGE | PRODUCT CODE | PRICE | PAGE |
|--------------|----------|------|--------------|----------|-------|--------------|----------|-------|
| 2270 | \$47.00 | 46 | 27081 | \$229.00 | 72 | 84080 | \$28.00 | 11 |
| 2301 | \$152.00 | 70 | 27082 | \$247.00 | 72 | 84081 | \$29.00 | 11 |
| 2303 | \$120.00 | 70 | 27083 | \$273.00 | 72 | 84082 | \$32.00 | 11 |
| 2304 | \$120.00 | 70 | 28021 | \$197.00 | 65 | 84083 | \$36.00 | 11 |
| 2306 | \$34.00 | 71 | 28022 | \$210.00 | 65 | 84084 | \$40.00 | 11 |
| 2307 | \$101.00 | 71 | 28023 | \$237.00 | 65 | 84085 | \$49.00 | 11 |
| 2308 | \$45.00 | 70 | 28024 | \$184.00 | 65 | 84086 | \$52.00 | 11 |
| 2501 | \$81.00 | 73 | 29025 | \$127.00 | 66 | 84087 | \$70.00 | 11 |
| 2503 | \$81.00 | 73 | 29026 | \$132.00 | 66 | 84152 | \$38.00 | 7 |
| 2504 | \$81.00 | 73 | 29027 | \$143.00 | 66 | 84153 | \$40.00 | 7 |
| 2601 | \$81.00 | 67 | 29028 | \$164.00 | 66 | 84154 | \$45.00 | 7 |
| 2604 | \$81.00 | 68 | 76011 | \$13.00 | 54 | 84155 | \$50.00 | 7 |
| 2605 | \$81.00 | 68 | 76012 | \$14.00 | 54 | 84156 | \$54.00 | 7 |
| 2606 | \$26.00 | 69 | 76013 | \$9.00 | 54 | 84157 | \$68.00 | 7 |
| 2607 | \$26.00 | 69 | 76014 | \$12.00 | 54 | 84158 | \$72.00 | 7 |
| 2608 | \$42.00 | 68 | 76015 | \$9.00 | 54 | 84159 | \$83.00 | 7 |
| 2609 | \$45.00 | 68 | 76016 | \$12.00 | 54 | 84160 | \$95.00 | 7 |
| 2701 | \$152.00 | 72 | 76017 | \$14.00 | 54 | 84161 | \$104.00 | 7 |
| 2704 | \$120.00 | 72 | 76018 | \$15.00 | 54 | 84162 | \$89.00 | 7 |
| 2705LH | \$120.00 | 72 | 76019 | \$14.00 | 54 | 84163 | \$137.00 | 7 |
| 2705RH | \$120.00 | 72 | 76020 | \$15.00 | 54 | 84164 | \$205.00 | 7 |
| 2706 | \$45.00 | 72 | 76021 | \$13.00 | 54 | 84170 | \$218.00 | 9, 57 |
| 2707 | \$48.00 | 72 | 76022 | \$14.00 | 54 | 84171 | \$317.00 | 9, 57 |
| 2801 | \$130.00 | 65 | 76023 | \$13.00 | 54 | 84172 | \$350.00 | 9, 57 |
| 2804 | \$91.00 | 65 | 76024 | \$14.00 | 54 | 84173 | \$385.00 | 9, 57 |
| 2809 | \$62.00 | 65 | 76025 | \$13.00 | 54 | 84174 | \$496.00 | 9, 57 |
| 2901 | \$117.00 | 66 | 76026 | \$12.00 | 54 | 86001 | \$16.00 | 46 |
| 2904 | \$87.00 | 66 | 76027 | \$12.00 | 54 | 86003 | \$25.00 | 45 |
| 2909 | \$50.00 | 66 | 76042 | \$18.00 | 54 | 86009 | \$16.00 | 46 |
| 23021 | \$143.00 | 70 | 76043 | \$16.00 | 54 | 86010 | \$25.00 | 44 |
| 23022 | \$147.00 | 70 | 76044 | \$16.00 | 54 | 86011 | \$28.00 | 44 |
| 23023 | \$166.00 | 70 | 76045 | \$15.00 | 54 | 86012 | \$28.00 | 45 |
| 23024 | \$134.00 | 70 | 76046 | \$15.00 | 54 | 86013 | \$12.00 | 34 |
| 23051 | \$229.00 | 70 | 76047 | \$16.00 | 54 | 86014 | \$13.00 | 34 |
| 23052 | \$247.00 | 70 | 84052 | \$28.00 | 6 | 86015 | \$12.00 | 34 |
| 23053 | \$273.00 | 70 | 84053 | \$29.00 | 6 | 86016 | \$13.00 | 34 |
| 25021 | \$106.00 | 73 | 84054 | \$32.00 | 6 | 86017 | \$13.00 | 45 |
| 25022 | \$112.00 | 73 | 84055 | \$36.00 | 6 | 86027 | \$24.00 | 34 |
| 25023 | \$127.00 | 73 | 84056 | \$40.00 | 6 | 86028 | \$45.00 | 45 |
| 25024 | \$101.00 | 73 | 84057 | \$49.00 | 6 | 86033 | \$28.00 | 46 |
| 25050 | \$14.00 | 73 | 84058 | \$52.00 | 6 | 86034 | \$28.00 | 46 |
| 26021 | \$106.00 | 67 | 84059 | \$65.00 | 6 | 86037 | \$21.00 | 38 |
| 26022 | \$112.00 | 67 | 84060 | \$78.00 | 6 | 86038 | \$18.00 | 38 |
| 26023 | \$127.00 | 67 | 84061 | \$90.00 | 6 | 86039 | \$21.00 | 38 |
| 26024 | \$101.00 | 67 | 84062 | \$70.00 | 6 | 86040 | \$27.00 | 39 |
| 26031 | \$207.00 | 67 | 84063 | \$126.00 | 6 | 86041 | \$30.00 | 39 |
| 26032 | \$219.00 | 67 | 84064 | \$189.00 | 6 | 86042 | \$30.00 | 39 |
| 26033 | \$243.00 | 67 | 84070 | \$207.00 | 8, 56 | 86043 | \$27.00 | 38 |
| 27021 | \$143.00 | 72 | 84071 | \$302.00 | 8, 56 | 86044 | \$28.00 | 38 |
| 27022 | \$147.00 | 72 | 84072 | \$333.00 | 8, 56 | 86045 | \$30.00 | 38 |
| 27023 | \$166.00 | 72 | 84073 | \$367.00 | 8, 56 | 86046 | \$21.00 | 38 |
| 27024 | \$134.00 | 72 | 84074 | \$474.00 | 8, 56 | 86047 | \$23.00 | 38 |

PRODUCT INDEX

| PRODUCT CODE | PRICE | PAGE | PRODUCT CODE | PRICE | PAGE | PRODUCT CODE | PRICE | PAGE |
|--------------|---------|------|--------------|---------|------|--------------|---------|------|
| 86048 | \$24.00 | 38 | 86151 | \$14.00 | 23 | 86260 | \$45.00 | 23 |
| 86049 | \$30.00 | 39 | 86152 | \$21.00 | 22 | 86261 | \$13.00 | 22 |
| 86050 | \$35.00 | 50 | 86161 | \$18.00 | 24 | 86262 | \$18.00 | 22 |
| 86051 | \$26.00 | 50 | 86162 | \$23.00 | 24 | 86263 | \$18.00 | 25 |
| 86052 | \$18.00 | 48 | 86163 | \$24.00 | 24 | 86264 | \$23.00 | 25 |
| 86053 | \$21.00 | 48 | 86164 | \$30.00 | 24 | 86265 | \$24.00 | 25 |
| 86054 | \$30.00 | 49 | 86165 | \$37.00 | 24 | 86266 | \$30.00 | 25 |
| 86055 | \$34.00 | 49 | 86166 | \$61.00 | 24 | 86267 | \$45.00 | 25 |
| 86056 | \$35.00 | 49 | 86173 | \$30.00 | 36 | 86268 | \$16.00 | 22 |
| 86057 | \$18.00 | 48 | 86199 | \$45.00 | 53 | 86269 | \$21.00 | 22 |
| 86058 | \$21.00 | 48 | 86201 | \$24.00 | 35 | 86270 | \$13.00 | 22 |
| 86061 | \$26.00 | 49 | 86202 | \$26.00 | 35 | 86271 | \$16.00 | 24 |
| 86062 | \$28.00 | 49 | 86203 | \$26.00 | 34 | 86272 | \$26.00 | 24 |
| 86063 | \$30.00 | 49 | 86209 | \$45.00 | 45 | 86273 | \$45.00 | 24 |
| 86091 | \$24.00 | 52 | 86210 | \$18.00 | 45 | 86274 | \$80.00 | 24 |
| 86092 | \$26.00 | 52 | 86212 | \$45.00 | 38 | 86276 | \$38.00 | 38 |
| 86093 | \$24.00 | 51 | 86213 | \$45.00 | 38 | 86277 | \$16.00 | 40 |
| 86094 | \$26.00 | 51 | 86214 | \$38.00 | 51 | 86278 | \$26.00 | 40 |
| 86095 | \$24.00 | 51 | 86215 | \$38.00 | 52 | 86283 | \$25.00 | 40 |
| 86096 | \$26.00 | 51 | 86217 | \$28.00 | 48 | 86284 | \$26.00 | 40 |
| 86097 | \$24.00 | 51 | 86218 | \$28.00 | 52 | 86285 | \$27.00 | 40 |
| 86098 | \$30.00 | 51 | 86219 | \$34.00 | 52 | 86286 | \$36.00 | 40 |
| 86099 | \$36.00 | 53 | 86220 | \$35.00 | 52 | 86287 | \$62.00 | 40 |
| 86100 | \$28.00 | 52 | 86221 | \$48.00 | 52 | 86293 | \$13.00 | 40 |
| 86101 | \$34.00 | 52 | 86222 | \$60.00 | 52 | 86294 | \$26.00 | 40 |
| 86102 | \$35.00 | 52 | 86223 | \$81.00 | 52 | 86295 | \$18.00 | 37 |
| 86103 | \$28.00 | 53 | 86227 | \$24.00 | 51 | 86296 | \$26.00 | 37 |
| 86104 | \$34.00 | 53 | 86228 | \$30.00 | 51 | 86299 | \$18.00 | 37 |
| 86105 | \$35.00 | 53 | 86229 | \$24.00 | 51 | 86300 | \$21.00 | 37 |
| 86106 | \$34.00 | 71 | 86230 | \$26.00 | 51 | 86301 | \$23.00 | 37 |
| 86112 | \$13.00 | 35 | 86231 | \$38.00 | 51 | 86302 | \$26.00 | 37 |
| 86113 | \$16.00 | 35 | 86232 | \$36.00 | 53 | 86303 | \$45.00 | 37 |
| 86114 | \$12.00 | 35 | 86233 | \$45.00 | 53 | 86304 | \$16.00 | 37 |
| 86115 | \$13.00 | 35 | 86234 | \$13.00 | 53 | 86305 | \$18.00 | 37 |
| 86116 | \$38.00 | 52 | 86235 | \$16.00 | 53 | 86306 | \$26.00 | 37 |
| 86117 | \$28.00 | 48 | 86236 | \$18.00 | 53 | 86309 | \$16.00 | 27 |
| 86121 | \$13.00 | 34 | 86237 | \$21.00 | 53 | 86310 | \$18.00 | 27 |
| 86122 | \$16.00 | 34 | 86238 | \$48.00 | 53 | 86311 | \$21.00 | 27 |
| 86123 | \$24.00 | 36 | 86239 | \$60.00 | 53 | 86312 | \$24.00 | 27 |
| 86124 | \$24.00 | 34 | 86240 | \$81.00 | 53 | 86313 | \$40.00 | 27 |
| 86128 | \$16.00 | 36 | 86244 | \$24.00 | 51 | 86314 | \$12.00 | 26 |
| 86129 | \$18.00 | 36 | 86245 | \$26.00 | 51 | 86315 | \$13.00 | 26 |
| 86130 | \$21.00 | 36 | 86246 | \$38.00 | 51 | 86316 | \$23.00 | 26 |
| 86131 | \$12.00 | 36 | 86248 | \$24.00 | 36 | 86317 | \$13.00 | 26 |
| 86132 | \$13.00 | 36 | 86249 | \$21.00 | 36 | 86318 | \$23.00 | 26 |
| 86133 | \$15.00 | 36 | 86252 | \$45.00 | 49 | 86319 | \$13.00 | 26 |
| 86137 | \$24.00 | 52 | 86253 | \$45.00 | 49 | 86320 | \$23.00 | 26 |
| 86138 | \$26.00 | 52 | 86255 | \$48.00 | 52 | 86321 | \$12.00 | 26 |
| 86143 | \$38.00 | 51 | 86256 | \$18.00 | 23 | 86322 | \$13.00 | 26 |
| 86145 | \$21.00 | 48 | 86257 | \$23.00 | 23 | 86323 | \$23.00 | 26 |
| 86146 | \$28.00 | 48 | 86258 | \$24.00 | 23 | 86324 | \$21.00 | 27 |
| 86150 | \$13.00 | 23 | 86259 | \$30.00 | 23 | 86325 | \$24.00 | 27 |

PRODUCT INDEX

| PRODUCT CODE | PRICE | PAGE | PRODUCT CODE | PRICE | PAGE | PRODUCT CODE | PRICE | PAGE |
|--------------|----------|--------|--------------|----------|--------|--------------|----------|--------|
| 86326 | \$26.00 | 50 | 86423 | \$21.00 | 29 | 86477 | \$24.00 | 33 |
| 86327 | \$35.00 | 50 | 86424 | \$18.00 | 29 | 86478 | \$28.00 | 33 |
| 86328 | \$30.00 | 49 | 86425 | \$21.00 | 29 | 86479 | \$51.00 | 29 |
| 86329 | \$34.00 | 49 | 86426 | \$24.00 | 29 | 86482 | \$26.00 | 25 |
| 86330 | \$35.00 | 49 | 86427 | \$28.00 | 29 | 86483 | \$61.00 | 25 |
| 86331 | \$45.00 | 49 | 86428 | \$18.00 | 29 | 86484 | \$23.00 | 29 |
| 86332 | \$26.00 | 49 | 86429 | \$21.00 | 29 | 86485 | \$40.00 | 29 |
| 86333 | \$28.00 | 49 | 86430 | \$24.00 | 29 | 86489 | \$23.00 | 29 |
| 86334 | \$30.00 | 49 | 86431 | \$28.00 | 29 | 86490 | \$40.00 | 29 |
| 86335 | \$45.00 | 49 | 86432 | \$13.00 | 28 | 86491 | \$51.00 | 29 |
| 86336 | \$48.00 | 49 | 86433 | \$23.00 | 28 | 86492 | \$24.00 | 37 |
| 86337 | \$62.00 | 49 | 86434 | \$8.00 | 28 | 86493 | \$60.00 | 37 |
| 86338 | \$18.00 | 48 | 86435 | \$12.00 | 28 | 86563 | \$28.00 | 43 |
| 86339 | \$21.00 | 48 | 86438 | \$37.00 | 25 | 86563 | \$28.00 | 42 |
| 86340 | \$28.00 | 48 | 86440 | \$207.00 | 24, 62 | 86564 | \$45.00 | 42 |
| 86341 | \$12.00 | 50 | 86441 | \$302.00 | 24, 62 | 86565 | \$28.00 | 43 |
| 86342 | \$12.00 | 50 | 86442 | \$207.00 | 29, 61 | 86566 | \$28.00 | 42 |
| 86343 | \$207.00 | 63 | 86443 | \$302.00 | 29, 61 | 86567 | \$28.00 | 42 |
| 86344 | \$302.00 | 63 | 86444 | \$207.00 | 25, 62 | 86568 | \$45.00 | 42 |
| 86345 | \$207.00 | 27, 62 | 86445 | \$302.00 | 25, 62 | 86569 | \$28.00 | 43 |
| 86346 | \$302.00 | 27, 62 | 86446 | \$13.00 | 21 | 86570 | \$45.00 | 43 |
| 86347 | \$240.00 | 52, 64 | 86447 | \$23.00 | 21 | 86571 | \$28.00 | 42 |
| 86348 | \$336.00 | 52, 64 | 86448 | \$13.00 | 21 | 86610 | \$16.00 | 35 |
| 86349 | \$227.00 | 49, 64 | 86449 | \$23.00 | 21 | 86611 | \$26.00 | 35 |
| 86350 | \$320.00 | 49, 64 | 86450 | \$13.00 | 18 | 86612 | \$13.00 | 30 |
| 86351 | \$207.00 | 25, 63 | 86451 | \$23.00 | 18 | 86613 | \$23.00 | 30 |
| 86352 | \$302.00 | 25, 63 | 86452 | \$13.00 | 19 | 86614 | \$18.00 | 30 |
| 86357 | \$18.00 | 24 | 86453 | \$18.00 | 18 | 86615 | \$21.00 | 30 |
| 86358 | \$26.00 | 25 | 86454 | \$21.00 | 18 | 86616 | \$23.00 | 30 |
| 86359 | \$30.00 | 25 | 86455 | \$24.00 | 18 | 86617 | \$24.00 | 30 |
| 86360 | \$35.00 | 25 | 86456 | \$28.00 | 18 | 86618 | \$28.00 | 30 |
| 86361 | \$37.00 | 25 | 86457 | \$13.00 | 20 | 86619 | \$40.00 | 30 |
| 86362 | \$40.00 | 25 | 86458 | \$23.00 | 20 | 86620 | \$51.00 | 30 |
| 86363 | \$45.00 | 25 | 86459 | \$18.00 | 20 | 86621 | \$207.00 | 30, 58 |
| 86364 | \$51.00 | 25 | 86460 | \$21.00 | 20 | 86622 | \$302.00 | 30, 58 |
| 86365 | \$61.00 | 25 | 86461 | \$24.00 | 20 | 86623 | \$12.00 | 13 |
| 86366 | \$70.00 | 25 | 86462 | \$28.00 | 20 | 86624 | \$13.00 | 13 |
| 86367 | \$93.00 | 25 | 86463 | \$13.00 | 32 | 86625 | \$18.00 | 13 |
| 86394 | \$25.00 | 44 | 86464 | \$23.00 | 32 | 86626 | \$24.00 | 13 |
| 86395 | \$28.00 | 44 | 86465 | \$13.00 | 32 | 86627 | \$28.00 | 13 |
| 86396 | \$25.00 | 44 | 86466 | \$23.00 | 32 | 86628 | \$207.00 | 13, 58 |
| 86397 | \$28.00 | 44 | 86467 | \$13.00 | 32 | 86629 | \$302.00 | 13, 58 |
| 86398 | \$45.00 | 44 | 86468 | \$23.00 | 32 | 86633 | \$18.00 | 31 |
| 86399 | \$28.00 | 43 | 86469 | \$12.00 | 32 | 86634 | \$21.00 | 31 |
| 86400 | \$45.00 | 43 | 86470 | \$13.00 | 32 | 86635 | \$23.00 | 31 |
| 86401 | \$28.00 | 43 | 86471 | \$18.00 | 33 | 86636 | \$24.00 | 31 |
| 86402 | \$45.00 | 43 | 86472 | \$21.00 | 33 | 86637 | \$28.00 | 31 |
| 86403 | \$28.00 | 44 | 86473 | \$24.00 | 33 | 86638 | \$40.00 | 31 |
| 86404 | \$45.00 | 44 | 86474 | \$28.00 | 33 | 86639 | \$51.00 | 31 |
| 86421 | \$13.00 | 28 | 86475 | \$18.00 | 33 | 86640 | \$207.00 | 31, 58 |
| 86422 | \$18.00 | 29 | 86476 | \$21.00 | 33 | 86641 | \$302.00 | 31, 58 |

PRODUCT INDEX

| PRODUCT CODE | PRICE | PAGE | PRODUCT CODE | PRICE | PAGE | PRODUCT CODE | PRICE | PAGE |
|--------------|----------|--------|--------------|----------|--------|--------------|----------|------|
| 86642 | \$13.00 | 31 | 86703 | \$23.00 | 16 | S60030SS | \$30.00 | 55 |
| 86643 | \$13.00 | 31 | 86704 | \$18.00 | 16 | S60035SS | \$34.00 | 55 |
| 86644 | \$13.00 | 31 | 86705 | \$21.00 | 16 | S60040SS | \$35.00 | 55 |
| 86655 | \$19.00 | 10 | 86706 | \$23.00 | 16 | S62001SS | \$13.00 | 55 |
| 86656 | \$19.00 | 12 | 86707 | \$24.00 | 16 | S62002SS | \$15.00 | 55 |
| 86657 | \$35.00 | 12 | 86708 | \$28.00 | 16 | S62003SS | \$16.00 | 55 |
| 86658 | \$16.00 | 12 | 86709 | \$40.00 | 16 | S62004SS | \$18.00 | 55 |
| 86659 | \$28.00 | 12 | 86710 | \$51.00 | 16 | S62005SS | \$21.00 | 55 |
| 86660 | \$21.00 | 47 | 86711 | \$207.00 | 16, 59 | S62006SS | \$23.00 | 55 |
| 86661 | \$28.00 | 47 | 86712 | \$302.00 | 16, 59 | S62007SS | \$25.00 | 55 |
| 86662 | \$21.00 | 47 | 86713 | \$16.00 | 17 | S62008SS | \$28.00 | 55 |
| 86663 | \$28.00 | 47 | 86714 | \$24.00 | 17 | S62009SS | \$34.00 | 55 |
| 86664 | \$28.00 | 47 | 86715 | \$25.00 | 17 | S62010SS | \$40.00 | 55 |
| 86665 | \$45.00 | 47 | 86716 | \$27.00 | 17 | S62011SS | \$50.00 | 55 |
| 86666 | \$81.00 | 47 | 86717 | \$36.00 | 17 | S62012SS | \$56.00 | 55 |
| 86667 | \$28.00 | 47 | 86718 | \$47.00 | 17 | S62013SS | \$62.00 | 55 |
| 86668 | \$30.00 | 47 | 86719 | \$55.00 | 17 | S62014SS | \$68.00 | 55 |
| 86669 | \$35.00 | 47 | 86720 | \$88.00 | 17 | S7010 | \$147.00 | 74 |
| 86670 | \$45.00 | 47 | 86721 | \$207.00 | 17, 59 | S7020 | \$168.00 | 74 |
| 86671 | \$48.00 | 47 | 86722 | \$302.00 | 17, 59 | S7030 | \$184.00 | 74 |
| 86672 | \$62.00 | 47 | 86723 | \$35.00 | 41 | S7040 | \$141.00 | 74 |
| 86673 | \$81.00 | 47 | 86724 | \$89.00 | 41 | S7210 | \$101.00 | 74 |
| 86674 | \$227.00 | 47, 64 | 86725 | \$89.00 | 41 | S7220 | \$101.00 | 74 |
| 86675 | \$320.00 | 47, 64 | 86726 | \$13.00 | 17 | S7300 | \$99.00 | 74 |
| 86676 | \$23.00 | 18 | 86727 | \$13.00 | 19 | S71001 | \$48.00 | 74 |
| 86677 | \$40.00 | 18 | 86728 | \$13.00 | 19 | | | |
| 86678 | \$51.00 | 18 | 86729 | \$13.00 | 28 | | | |
| 86679 | \$23.00 | 20 | 86910 | \$207.00 | 33, 60 | | | |
| 86680 | \$40.00 | 20 | 86911 | \$302.00 | 33, 60 | | | |
| 86681 | \$51.00 | 20 | 86912 | \$207.00 | 33, 61 | | | |
| 86682 | \$25.00 | 18 | 86913 | \$302.00 | 33, 61 | | | |
| 86683 | \$40.00 | 18 | 86921 | \$8.00 | 15 | | | |
| 86684 | \$25.00 | 20 | 86922 | \$8.00 | 15 | | | |
| 86685 | \$40.00 | 20 | 86923 | \$9.00 | 15 | | | |
| 86686 | \$18.00 | 14 | 86924 | \$12.00 | 15 | | | |
| 86687 | \$21.00 | 14 | 86925 | \$14.00 | 15 | | | |
| 86688 | \$23.00 | 14 | 86926 | \$17.00 | 15 | | | |
| 86689 | \$24.00 | 14 | 86927 | \$21.00 | 15 | | | |
| 86690 | \$28.00 | 14 | 87001 | \$207.00 | 18, 60 | | | |
| 86691 | \$40.00 | 14 | 87002 | \$302.00 | 18, 60 | | | |
| 86692 | \$51.00 | 14 | 87003 | \$207.00 | 20, 60 | | | |
| 86693 | \$207.00 | 14, 59 | 87004 | \$302.00 | 20, 60 | | | |
| 86694 | \$302.00 | 14, 59 | 87005 | \$207.00 | 29, 61 | | | |
| 86695 | \$13.00 | 14 | 87006 | \$302.00 | 29, 61 | | | |
| 86696 | \$23.00 | 14 | 87100 | \$14.00 | 25 | | | |
| 86697 | \$13.00 | 14 | 87110 | \$16.00 | 25 | | | |
| 86698 | \$23.00 | 14 | 87120 | \$21.00 | 25 | | | |
| 86699 | \$13.00 | 14 | 87130 | \$26.00 | 25 | | | |
| 86700 | \$12.00 | 16 | 87140 | \$34.00 | 25 | | | |
| 86701 | \$13.00 | 16 | 87150 | \$44.00 | 25 | | | |
| 86702 | \$13.00 | 16 | 87160 | \$9.00 | 25 | | | |

PRODUCT INDEX

| PRODUCT CODE | PRICE | PAGE | PRODUCT CODE | PRICE | PAGE | PRODUCT CODE | PRICE | PAGE |
|--------------|----------|----------|--------------|----------|----------|--------------|----------|----------|
| 30- | \$137.00 | 108 | 207- | \$26.00 | 114 | 307- | \$25.00 | 97 |
| 30- | \$119.00 | 108 | 208- | \$40.00 | 114 | 308- | \$21.00 | 97 |
| 31- | \$72.00 | 107 | 209- | \$51.00 | 114 | 309- | \$26.00 | 97 |
| 31- | \$61.00 | 107 | 210- | \$23.00 | 112 | 310- | \$36.00 | 97 |
| 34- | \$72.00 | 107 | 211- | \$23.00 | 112 | 311- | \$55.00 | 97 |
| 34- | \$61.00 | 107 | 212- | \$23.00 | 114 | 312- | \$22.00 | 97 |
| 52- | \$45.00 | 84 | 213- | \$30.00 | 114 | 313- | \$26.00 | 97 |
| 53- | \$45.00 | 84 | 214- | \$227.00 | 114, 152 | 314- | \$36.00 | 97 |
| 54- | \$45.00 | 84 | 215- | \$23.00 | 113 | 315- | \$30.00 | 100 |
| 55- | \$41.00 | 84 | 216- | \$23.00 | 114 | 316- | \$29.00 | 101 |
| 56- | \$41.00 | 85 | 217- | \$30.00 | 114 | 317- | \$30.00 | 101 |
| 57- | \$41.00 | 85 | 218- | \$227.00 | 114, 152 | 318- | \$36.00 | 101 |
| 59- | \$41.00 | 85 | 219- | \$23.00 | 113 | 319- | \$22.00 | 100 |
| 60- | \$41.00 | 85 | 221- | \$23.00 | 96 | 320- | \$34.00 | 101 |
| 61- | \$45.00 | 86 | 222- | \$28.00 | 96 | 321- | \$35.00 | 101 |
| 63- | \$17.00 | 127 | 223- | \$29.00 | 96 | 322- | \$37.00 | 101 |
| 64- | \$17.00 | 127 | 224- | \$37.00 | 96 | 323- | \$25.00 | 100 |
| 64-6- | \$26.00 | 127 | 233- | \$38.00 | 105 | 324- | \$38.00 | 100 |
| 64-8- | \$30.00 | 127 | 234- | \$25.00 | 104 | 360- | \$17.00 | 95 |
| 64-13- | \$211.00 | 127, 150 | 235- | \$23.00 | 104 | 361- | \$23.00 | 95 |
| 70- | \$29.00 | 126 | 236- | \$26.00 | 105 | 362- | \$22.00 | 95 |
| 71- | \$29.00 | 126 | 237- | \$22.00 | 105 | 363- | \$27.00 | 95 |
| 72- | \$22.00 | 126 | 244-064- | \$25.00 | 96 | 364- | \$35.00 | 95 |
| 74- | \$38.00 | 86 | 244-160- | \$42.00 | 96 | 365- | \$51.00 | 95 |
| 76- | \$41.00 | 86 | 244-192- | \$47.00 | 96 | 370- | \$27.00 | 96 |
| 77- | \$42.00 | 86 | 244-320- | \$67.00 | 96 | 371- | \$35.00 | 96 |
| 78- | \$17.00 | 121 | 250- | \$17.00 | 146 | 372- | \$41.00 | 96 |
| 79- | \$17.00 | 121 | 251- | \$17.00 | 146 | 373- | \$48.00 | 96 |
| 79-6- | \$26.00 | 121 | 252- | \$17.00 | 146 | 401- | \$26.00 | 83 |
| 79-8- | \$30.00 | 121 | 253- | \$17.00 | 146 | 402- | \$207.00 | 83, 156 |
| 79-12- | \$207.00 | 121, 156 | 254- | \$26.00 | 147 | 404- | \$53.00 | 83 |
| 79-15- | \$227.00 | 121, 156 | 255- | \$21.00 | 147 | 406- | \$62.00 | 83 |
| 131- | \$86.00 | 145 | 256- | \$37.00 | 147 | 408- | \$76.00 | 83 |
| 132- | \$51.00 | 145 | 257- | \$196.00 | 114, 152 | 411- | \$26.00 | 120 |
| 170- | \$76.00 | 144 | 258- | \$30.00 | 147 | 412- | \$207.00 | 120, 156 |
| 171- | \$76.00 | 144 | 260- | \$17.00 | 134 | 414- | \$53.00 | 120 |
| 172- | \$76.00 | 144 | 261- | \$17.00 | 134 | 416- | \$62.00 | 120 |
| 173- | \$138.00 | 144 | 262- | \$21.00 | 134 | 418- | \$76.00 | 120 |
| 174- | \$138.00 | 144 | 263- | \$75.00 | 134 | 421- | \$29.00 | 82 |
| 175- | \$197.00 | 144 | 264- | \$196.00 | 134, 151 | 422- | \$207.00 | 82, 155 |
| 176- | \$138.00 | 144 | 265- | \$27.00 | 134 | 424- | \$54.00 | 82 |
| 177- | \$197.00 | 144 | 283- | \$15.00 | 136 | 426- | \$63.00 | 82 |
| 178- | \$303.00 | 144 | 284- | \$23.00 | 136 | 428- | \$76.00 | 82 |
| 179- | \$377.00 | 144 | 299- | \$17.00 | 102 | 440- | \$23.00 | 98 |
| 200- | \$18.00 | 114 | 300- | \$13.00 | 102 | 441- | \$26.00 | 98 |
| 201- | \$21.00 | 114 | 301- | \$29.00 | 102 | 442- | \$30.00 | 98 |
| 202- | \$26.00 | 114 | 302- | \$57.00 | 103 | 443- | \$34.00 | 98 |
| 203- | \$40.00 | 114 | 303- | \$97.00 | 103 | 444- | \$30.00 | 99 |
| 204- | \$51.00 | 114 | 304- | \$14.00 | 102 | 445- | \$35.00 | 99 |
| 205- | \$18.00 | 114 | 305- | \$25.00 | 103 | 446- | \$38.00 | 99 |
| 206- | \$21.00 | 114 | 306- | \$34.00 | 103 | 450- | \$22.00 | 99 |

PRODUCT INDEX

| PRODUCT CODE | PRICE | PAGE | PRODUCT CODE | PRICE | PAGE | PRODUCT CODE | PRICE | PAGE |
|--------------|----------|----------|--------------|----------|---------------|--------------|----------|---------------|
| 451- | \$28.00 | 99 | 555- | \$67.00 | 80 | 742- | \$29.00 | 133 |
| 454- | \$24.00 | 94 | 557- | \$207.00 | 80, 155 | 743- | \$34.00 | 133 |
| 455- | \$27.00 | 94 | 558- | \$302.00 | 80, 155 | 744- | \$45.00 | 133 |
| 456- | \$41.00 | 94 | 559- | \$333.00 | 80, 155 | 745- | \$48.00 | 133 |
| 469- | \$36.00 | 110 | 560- | \$45.00 | 80 | 746- | \$276.00 | 133, 151 |
| 470- | \$27.00 | 110 | 561- | \$54.00 | 80 | 747- | \$25.00 | 131 |
| 471- | \$36.00 | 110 | 562- | \$75.00 | 80 | 748- | \$64.00 | 131 |
| 472- | \$40.00 | 111 | 563- | \$95.00 | 80 | 749- | \$251.00 | 131, 154 |
| 473- | \$40.00 | 111 | 570- | \$50.00 | 123 | 751- | \$23.00 | 174 |
| 474- | \$57.00 | 111 | 571- | \$57.00 | 123 | 752- | \$27.00 | 174 |
| 475- | \$64.00 | 111 | 572- | \$47.00 | 123 | 753- | \$27.00 | 174 |
| 476- | \$69.00 | 111 | 573- | \$60.00 | 125 | 754- | \$28.00 | 174 |
| 477- | \$52.00 | 111 | 574- | \$62.00 | 125 | 756- | \$16.00 | 174 |
| 478- | \$87.00 | 111 | 575- | \$55.00 | 125 | 761- | \$25.00 | 174 |
| 479- | \$397.00 | 111, 155 | 576- | \$99.00 | 124 | 762- | \$34.00 | 174 |
| 480- | \$104.00 | 111 | 577- | \$152.00 | 124 | 763- | \$34.00 | 174 |
| 481- | \$127.00 | 111 | 578- | \$290.00 | 124, 150 | 764- | \$305.00 | 154, 174 |
| 482- | \$316.00 | 111, 155 | 579- | \$90.00 | 124 | 765- | \$53.00 | 140 |
| 483- | \$479.00 | 111, 155 | 580- | \$139.00 | 124 | 768- | \$70.00 | 142 |
| 501- | \$38.00 | 106 | 581- | \$273.00 | 124, 150 | 771- | \$37.00 | 142 |
| 502- | \$42.00 | 106 | 650- | \$111.00 | 162 | 772- | \$47.00 | 142, 145 |
| 503A- | \$650.00 | 106, 149 | 651- | \$164.00 | 162 | 773- | \$51.00 | 142, 145 |
| 511- | \$38.00 | 106 | 653- | \$164.00 | 162 | 775- | \$67.00 | 143, 145 |
| 512- | \$42.00 | 106 | 654- | \$182.00 | 162 | 777- | \$55.00 | 143, 145 |
| 513A- | \$719.00 | 106, 149 | 655- | \$202.00 | 162 | 778- | \$66.00 | 143, 145 |
| 522- | \$18.00 | 117 | 656- | \$164.00 | 162 | 779- | \$222.00 | 143, 145, 153 |
| 523- | \$23.00 | 117 | 657- | \$159.00 | 162 | 780- | \$421.00 | 143, 145, 153 |
| 524- | \$40.00 | 117 | 658- | \$182.00 | 163 | 781- | \$47.00 | 142 |
| 525- | \$51.00 | 117 | 659- | \$184.00 | 163 | 782- | \$48.00 | 142 |
| 526- | \$18.00 | 117 | 660- | \$207.00 | 163 | 783- | \$91.00 | 143 |
| 527- | \$23.00 | 117 | 661- | \$148.00 | 163 | 784- | \$138.00 | 143 |
| 528- | \$40.00 | 117 | 662- | \$223.00 | 163 | 785- | \$421.00 | 143, 153 |
| 529- | \$51.00 | 117 | 664- | \$127.00 | 166, 167, 168 | 788-35- | \$48.00 | 141 |
| 530- | \$23.00 | 115 | 671- | \$133.00 | 163 | 788-4- | \$53.00 | 141 |
| 531- | \$23.00 | 115 | 680- | \$91.00 | 138 | 788-5- | \$62.00 | 141 |
| 532- | \$23.00 | 115 | 681- | \$122.00 | 138 | 788-6- | \$66.00 | 141 |
| 533- | \$23.00 | 116 | 682- | \$146.00 | 138 | 788-8- | \$95.00 | 141 |
| 534- | \$24.00 | 116 | 691- | \$160.00 | 138 | 788-10- | \$122.00 | 141 |
| 535- | \$227.00 | 117, 157 | 693- | \$252.00 | 138 | 788-12- | \$230.00 | 141 |
| 536- | \$30.00 | 117 | 703- | \$17.00 | 128, 131 | 788-12A- | \$399.00 | 141, 157 |
| 537- | \$26.00 | 117 | 704- | \$23.00 | 128, 131 | 788-18- | \$409.00 | 141 |
| 538- | \$21.00 | 117 | 706- | \$16.00 | 128, 132 | 788-18A- | \$604.00 | 141, 157 |
| 539- | \$227.00 | 117, 157 | 711- | \$17.00 | 129, 132 | 789- | \$65.00 | 140 |
| 540- | \$30.00 | 117 | 719- | \$17.00 | 129, 132 | 810- | \$53.00 | 140 |
| 541- | \$26.00 | 117 | 721- | \$17.00 | 130 | 814- | \$53.00 | 140 |
| 542- | \$21.00 | 117 | 730- | \$34.00 | 130 | 815- | \$131.00 | 140 |
| 550- | \$25.00 | 80 | 731- | \$36.00 | 130 | 816- | \$91.00 | 141 |
| 551- | \$26.00 | 80 | 732- | \$28.00 | 130 | 817- | \$138.00 | 169, 170, 171 |
| 552- | \$26.00 | 80 | 737- | \$63.00 | 130 | 818- | \$124.00 | 166, 167, 168 |
| 553- | \$48.00 | 80 | 738- | \$431.00 | 130, 151 | 819- | \$163.00 | 166, 167, 168 |
| 554- | \$60.00 | 80 | 739- | \$291.00 | 130, 151 | 850- | \$159.00 | 166, 167, 168 |

PRODUCT INDEX

| PRODUCT CODE | PRICE | PAGE | PRODUCT CODE | PRICE | PAGE | PRODUCT CODE | PRICE | PAGE |
|--------------|----------|---------------|--------------|----------|---------------|--------------|----------|----------|
| 851- | \$87.00 | 166, 167, 168 | 960K- | \$163.00 | 177 | 5010- | \$75.00 | 77 |
| 852- | \$169.00 | 166, 167, 168 | 960P- | \$319.00 | 177 | 5012- | \$100.00 | 77 |
| 853- | \$124.00 | 166, 167, 168 | 967M- | \$83.00 | 173 | 5012A- | \$207.00 | 77, 149 |
| 854- | \$155.00 | 166, 167, 168 | 968M- | \$53.00 | 173 | 5018A- | \$302.00 | 77, 149 |
| 857- | \$88.00 | 166, 167, 168 | 969M- | \$81.00 | 173 | 5024A- | \$333.00 | 77, 149 |
| 858- | \$155.00 | 166, 167, 168 | 970- | \$104.00 | 172 | 5101- | \$25.00 | 76 |
| 864- | \$204.00 | 176 | 972- | \$65.00 | 172 | 5101B- | \$5.00 | 78 |
| 865- | \$318.00 | 176 | 974- | \$76.00 | 172 | 5102- | \$28.00 | 76 |
| 868- | \$430.00 | 135, 152 | 975S- | \$119.00 | 172 | 5103- | \$42.00 | 77 |
| 870- | \$34.00 | 135 | 977- | \$101.00 | 172 | 5103B- | \$11.00 | 78 |
| 871- | \$35.00 | 135 | 978- | \$133.00 | 172 | 5104- | \$45.00 | 77 |
| 872- | \$42.00 | 135 | 980L- | \$103.00 | 176 | 5104B- | \$12.00 | 78 |
| 876- | \$23.00 | 118 | 980R- | \$103.00 | 176 | 5105- | \$48.00 | 77 |
| 877- | \$21.00 | 119 | 982- | \$60.00 | 173 | 5105B- | \$14.00 | 78 |
| 878- | \$24.00 | 119 | 987- | \$119.00 | 169, 170, 171 | 5106- | \$51.00 | 77 |
| 879- | \$30.00 | 119 | 988- | \$155.00 | 169, 170, 171 | 5106B- | \$15.00 | 78 |
| 880- | \$207.00 | 119, 154 | 989- | \$167.00 | 166, 167, 168 | 5108- | \$63.00 | 77 |
| 881- | \$227.00 | 119, 154 | 990- | \$141.00 | 166, 167, 168 | 5108B- | \$17.00 | 78 |
| 882- | \$23.00 | 118 | 992-4- | \$179.00 | 166, 167, 168 | 5110- | \$72.00 | 77 |
| 883- | \$18.00 | 119 | 992-6- | \$207.00 | 166, 167, 168 | 5110B- | \$24.00 | 78 |
| 884- | \$23.00 | 119 | 992-8- | \$267.00 | 166, 167, 168 | 5112- | \$93.00 | 77 |
| 885- | \$26.00 | 119 | 993- | \$102.00 | 164, 165 | 5112A- | \$207.00 | 77, 149 |
| 886- | \$40.00 | 119 | 994- | \$86.00 | 164, 165 | 5112B- | \$29.00 | 78 |
| 887- | \$51.00 | 119 | 995- | \$161.00 | 164, 165 | 5112AB- | \$47.00 | 78 |
| 891- | \$157.00 | 176 | 996- | \$88.00 | 164, 165 | 5118A- | \$302.00 | 77, 149 |
| 892- | \$157.00 | 176 | 997- | \$481.00 | 164, 165 | 5118AB- | \$70.00 | 78 |
| 895- | \$290.00 | 176 | 998- | \$961.00 | 164, 165 | 5124A- | \$333.00 | 77, 149 |
| 897- | \$97.00 | 176 | 1100B- | \$21.00 | 158 | 5124AB- | \$102.00 | 78 |
| 908- | \$88.00 | 176 | 1100M- | \$21.00 | 158 | 7465- | \$406.00 | 133, 151 |
| 915- | \$171.00 | 169, 170, 171 | 1111B- | \$21.00 | 159 | 7495- | \$406.00 | 131, 154 |
| 918- | \$74.00 | 176 | 1200- | \$13.00 | 88 | 8716- | \$65.00 | 135 |
| 919- | \$176.00 | 169, 170, 171 | 1201- | \$51.00 | 88 | 10010- | \$26.00 | 81 |
| 927- | \$57.00 | 173 | 1202- | \$76.00 | 88 | 10011- | \$31.00 | 81 |
| 930- | \$62.00 | 173 | 1203- | \$89.00 | 88 | 10012- | \$37.00 | 81 |
| 934L- | \$161.00 | 169, 170, 171 | 1204- | \$102.00 | 88 | 10020- | \$26.00 | 81 |
| 934R- | \$161.00 | 169, 170, 171 | 1205- | \$127.00 | 88 | 10021- | \$31.00 | 81 |
| 935L- | \$112.00 | 169, 170, 171 | 1206- | \$64.00 | 89 | 10022- | \$37.00 | 81 |
| 935R- | \$112.00 | 169, 170, 171 | 1207- | \$83.00 | 89 | 10030- | \$16.00 | 79 |
| 936- | \$72.00 | 169, 170, 171 | 1208- | \$76.00 | 89 | 10031- | \$22.00 | 79 |
| 937- | \$89.00 | 169, 170, 171 | 1209- | \$21.00 | 88 | 10032- | \$30.00 | 79 |
| 942M- | \$644.00 | 175 | 1210- | \$64.00 | 89 | 10033- | \$37.00 | 79 |
| 942S- | \$258.00 | 175 | 2340- | \$25.00 | 104 | 10034- | \$52.00 | 79 |
| 944- | \$324.00 | 175 | 2360- | \$26.00 | 105 | 10040- | \$16.00 | 79 |
| 945- | \$324.00 | 175 | 2370- | \$21.00 | 104 | 10041- | \$32.00 | 79 |
| 951S- | \$324.00 | 176 | 5001- | \$26.00 | 76 | 10042- | \$45.00 | 79 |
| 953K- | \$146.00 | 177 | 5002- | \$28.00 | 76 | 10043- | \$63.00 | 79 |
| 953P- | \$323.00 | 177 | 5003- | \$43.00 | 77 | 20010- | \$17.00 | 93 |
| 954K- | \$152.00 | 177 | 5004- | \$47.00 | 77 | 20011- | \$25.00 | 93 |
| 954P- | \$247.00 | 177 | 5005- | \$50.00 | 77 | 20012- | \$35.00 | 93 |
| 958K- | \$128.00 | 177 | 5006- | \$53.00 | 77 | 20013- | \$17.00 | 92 |
| 958P- | \$200.00 | 177 | 5008- | \$65.00 | 77 | 20014- | \$15.00 | 92 |

| PRODUCT CODE | PRICE | PAGE | PRODUCT CODE | PRICE | PAGE |
|--------------|----------|----------|--------------|----------|------|
| 20015- | \$15.00 | 93 | 211105- | \$43.00 | 141 |
| 20016- | \$25.00 | 92 | 211106- | \$49.00 | 141 |
| 20017- | \$28.00 | 92 | 211107- | \$53.00 | 141 |
| 20018- | \$35.00 | 92 | 211108- | \$77.00 | 141 |
| 211001- | \$38.00 | 87 | 211109- | \$98.00 | 141 |
| 211002- | \$43.00 | 87 | 211110- | \$137.00 | 141 |
| 211003- | \$47.00 | 87 | 211111- | \$203.00 | 141 |
| 211004- | \$53.00 | 87 | 211112- | \$196.00 | 141 |
| 211005- | \$64.00 | 87 | 211113- | \$40.00 | 141 |
| 211006- | \$17.00 | 87 | 211120- | \$273.00 | 141 |
| 211007- | \$30.00 | 87 | | | |
| 211008- | \$17.00 | 87 | | | |
| 211009- | \$36.00 | 87 | | | |
| 211018- | \$67.00 | 139 | | | |
| 211020- | \$82.00 | 139 | | | |
| 211022- | \$101.00 | 139 | | | |
| 211023- | \$146.00 | 139 | | | |
| 211025- | \$248.00 | 139 | | | |
| 211027- | \$604.00 | 139, 153 | | | |
| 211035- | \$22.00 | 91 | | | |
| 211036- | \$25.00 | 91 | | | |
| 211037- | \$50.00 | 91 | | | |
| 211038- | \$75.00 | 91 | | | |
| 211039- | \$51.00 | 91 | | | |
| 211040- | \$66.00 | 91 | | | |
| 211041- | \$83.00 | 91 | | | |
| 211042- | \$40.00 | 90 | | | |
| 211043- | \$43.00 | 90 | | | |
| 211044- | \$49.00 | 90 | | | |
| 211045- | \$53.00 | 90 | | | |
| 211046- | \$60.00 | 90 | | | |
| 211047- | \$32.00 | 90 | | | |
| 211048- | \$49.00 | 90 | | | |
| 211049- | \$56.00 | 90 | | | |
| 211050- | \$75.00 | 90 | | | |
| 211060- | \$138.00 | 161 | | | |
| 211061- | \$159.00 | 161 | | | |
| 211062- | \$138.00 | 161 | | | |
| 211063- | \$159.00 | 161 | | | |
| 211064- | \$95.00 | 161 | | | |
| 211065- | \$127.00 | 161 | | | |
| 211066- | \$95.00 | 161 | | | |
| 211067- | \$127.00 | 161 | | | |
| 211068- | \$117.00 | 161 | | | |
| 211092- | \$24.00 | 94 | | | |
| 211093- | \$43.00 | 94 | | | |
| 211094- | \$47.00 | 94 | | | |
| 211095- | \$53.00 | 94 | | | |
| 211096- | \$60.00 | 94 | | | |
| 211097- | \$307.00 | 94, 150 | | | |
| 211104- | \$40.00 | 141 | | | |

LIFETIME LIMITED WARRANTY

Subject to the terms and conditions of this warranty, EMTEK and Schaub ("Company") extends a lifetime limited warranty* to the original consumer user ("Original User") of our product ("Product") against defects in material and workmanship, as long as the Original User occupies the residential premises upon which the Product was originally installed.

*Electronic components warranted TWO (2) YEARS

This warranty only applies to the Original User of the Products. This warranty is not transferable. This warranty applies to all products sold on or after April 2, 2012.

Original User: The Original User will return the defective Product to the retailer from whom it was purchased, accompanied by a statement of defects and proof of purchase.

What EMTEK and Schaub will do: Upon return of the defective Product to EMTEK and Schaub for inspection, free and clear of all liens and encumbrances and accompanied by the statement of defects and proof of purchase, Emtek and Schaub's sole obligation, at its option, is to either repair or replace the Product, or refund the original retailer purchase price in exchange for the Product.

THE COMPANY MAKES NO OTHER WARRANTY OTHER THAN AS EXPRESSLY STATED HEREIN, AND ALL IMPLIED WARRANTIES, INCLUDING ANY WARRANTY OF MERCHANTABILITY OR FITNESS FOR A PARTICULAR PURPOSE, ARE HEREBY EXCLUDED.

THE COMPANY'S MAXIMUM LIABILITY HEREUNDER IS LIMITED TO THE PURCHASE PRICE OF THE PRODUCT. IN NO EVENT SHALL THE COMPANY BE LIABLE FOR ANY CONSEQUENTIAL, INDIRECT, INCIDENTAL OR SPECIAL AND/OR PUNITIVE DAMAGES OF ANY NATURE ARISING FROM THE SALE OR USE OF THE PRODUCT, WHETHER BASED ON CONTRACT, WARRANTY, TORT, STRICT LIABILITY, PATENT INFRINGEMENT, OR OTHERWISE, EVEN IF ADVISED OF THE POSSIBILITY OF SUCH DAMAGES. Some local laws do not allow the exclusion or limitation of incidental or consequential damages, so the above exclusion or limitation may not apply to you. This warranty gives specific legal rights and a buyer may also have other rights which may vary from state to state.

WHAT IS NOT COVERED: THE FOLLOWING COSTS, EXPENSES AND DAMAGES ARE NOT COVERED BY THE PROVISIONS OF THIS LIMITED WARRANTY: (I) LABOR COSTS INCLUDING, BUT NOT LIMITED TO, SUCH COSTS AS THE REMOVAL AND RE-INSTALLATION OF PRODUCT; AND (II) SHIPPING AND FREIGHT EXPENSES REQUIRED TO RETURN PRODUCT TO EMTEK AND SCHAUB.

THE PROVISIONS OF THIS WARRANTY DO NOT APPLY TO PRODUCTS: (I) USED IN COMMERCIAL APPLICATIONS; (II) USED IN COMMON AREA APPLICATIONS; (III) USED FOR PURPOSES FOR WHICH THEY ARE NOT DESIGNED OR INTENDED; (IV) WHICH HAVE BEEN SUBJECTED TO ALTERATION, ABUSE, MISUSE, NEGLIGENCE OR ACCIDENT; (V) WHICH HAVE BEEN IMPROPERLY STORED, INSTALLED, MAINTAINED OR OPERATED; (VI) WHICH HAVE BEEN USED IN VIOLATION OF WRITTEN INSTRUCTIONS PROVIDED BY EMTEK AND SCHAUB; (VII) WHICH HAVE BEEN SUBJECTED TO IMPROPER TEMPERATURE, HUMIDITY OR OTHER ENVIRONMENTAL CONDITIONS; OR (VIII) WHICH, BASED ON EMTEK AND SCHAUB'S EXAMINATION, DO NOT DISCLOSE TO EMTEK AND SCHAUB'S SATISFACTION NON-CONFORMANCE TO THE WARRANTY. Additionally, this warranty DOES NOT COVER scratches, abrasions, or deterioration due to the use of paints, solvents or other chemicals.

Finish Warranty: Polished Brass-Lifetime, Polished Nickel-Lifetime and Satin Brass Stainless Steel-Lifetime finishes carry a lifetime limited finish warranty.

Unlacquered Brass, Bronze Patina, Deep Burgundy, Flat Black Patina, Medium Bronze Patina, Polished White Bronze, Rust, Silver Patina, Tumbled White Bronze and Symphony products have living finishes which will gracefully age and evolve in appearance over time. Because of these characteristics, no finish warranty is offered. All other finishes carry a five-year finish warranty.

Finish Variation: Due to our hand-finished manufacturing process, you will see some batch-to-batch variations as to color and/or finish.

Warranty claims: Please contact the retailer from whom the defective product was purchased. If assistance is needed, please contact EMTEK and Schaub Customer Service at:

EMTEK and Schaub
Tel: (800) 356-2741

EMTEK® | Schaub

Tel: 800-356-2741 | Fax: 800-577-5771
emtek.com | schaubandcompany.com