

HOSPITALITY SERIES

Large Bar Sink Model 1722-7BS



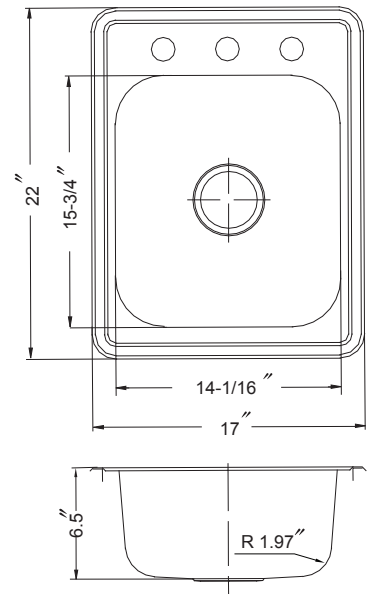
1722-7BS

FEATURES

- Premium grade T-304 stainless steel
- 6-1/2" depth • 3 holes
- 22 gauge
- Super-Silencer pad
- Lustrous satin with highlighted rim
- Fits 21" sink base
- 3-1/2" drain opening
- Supplied with fasteners and instructions
- Complies with ASME A112.19.3-2000, cUPC®
- Lifetime Limited Warranty



ASME A112.19.3-2000



OPTIONAL ACCESSORIES

Bottom Grid: BG-3100

Cutting Board : CB-3100

Strainer: 190-9180

OVERALL DIMENSIONS	EACH BOWL	CUTOUT SIZE	PACKAGING*	WEIGHT*
17" x 22"	14-1/16" x 15-3/4"	16-1/4" x 21-1/4"	1/16/40 pcs.	9/180/260 lbs.

*Standard packaging: Single boxed /Pallet of single boxed/Pallet of bulk pack.
All dimensions are in inches. Specifications subject to change without notice.

Project/Job name

Architect/Engineer

Contractor

Model

Q'ty

Notes

Installation profile

