

GLOWTONE BUILDER SERIES

Topmount 50/50 Double Bowl

Model 3322-9BS3 3 holes

3322-9BS4 4 holes



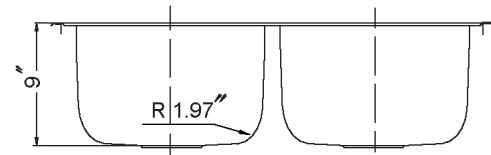
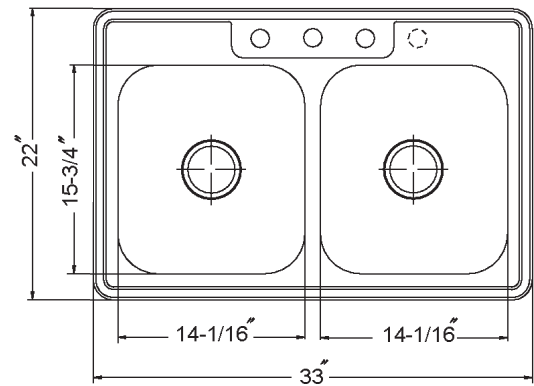
FEATURES

- Premium grade T-304 stainless steel
- 9" depth • 18 gauge • 3 or 4 holes
- StoneGuard™ undercoating over Super-Silencer pad
- Lustrous satin with highlighted rim
- Fits 36" sink base
- 3-1/2" drain opening
- Supplied with fasteners and instructions
- Complies with ASME A112.19.3-2000, cUPC®
- Lifetime Limited Warranty

3322-9BS



ASME A112.19.3-2000



OPTIONAL ACCESSORIES

Bottom Grid: BG-3100

Cutting Board : CB-3100

Rinsing Basket : RB-3100

Strainer: 190-9180

OVERALL DIMENSIONS	EACH BOWL	CUTOUT SIZE	PACKAGING*	WEIGHT*
33" x 22"	14-1/16" x 15-3/4"	32-1/4" x 21-1/4"	1/16/20pcs.	20/350/380 lbs.

*Standard packaging: Single boxed /Pallet of single boxed/Pallet of bulk pack.
All dimensions are in inches. Specifications subject to change without notice.

Project/Job name

Architect/Engineer

Contractor

Model Q'ty

Notes

Installation profile

