

PLATUS SERIES

Fireclay Apron Front Workstation Single Bowl

- Model** PTW-3320S WH - White
 PTW-3320S BL – Matte Black
 PTW-3320S GR – Matte Gray
 PTW-3320S MWH – Matte White

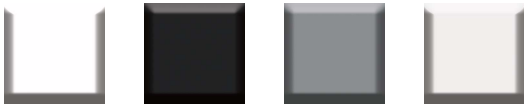


FEATURES

- Apron Front Installation
- Non-porous glossy surface
- 9" interior depth / 10" exterior depth
- 3-1/2" drain opening
- Chip, crack and scratch resistant • 4 distinctive colors
- Requires custom cabinet
- Includes: Wood cutting board, drying tray, multi-purpose roll-up mat , bottom grid, and basket strainer
- No cut out template is supplied as each sink dimension will vary due to the nature of fireclay manufacturing process.
- Complies with ASME A112.19.2
- Lifetime Limited Warranty



OPTIONAL COLORS



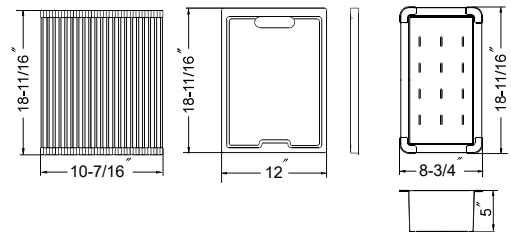
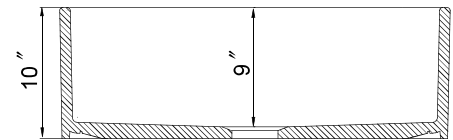
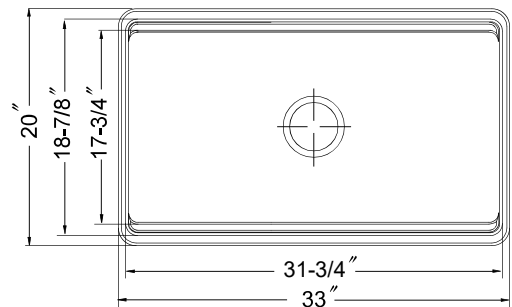
White Matte Black Matte Gray Matte White

Color variations possible due to printing constraints.

OVERALL DIMENSIONS	EACH BOWL	PACKAGING*	WEIGHT*
33" x 20"	31-3/4" x 18-7/8"	1/10 pcs.	130/1340lbs.

*Standard packaging: Single boxed /Pallet of single boxed.
 All dimensions are in inches. Specifications subject to change without notice.

PTW-3320S



OPTIONAL ACCESSORIES

- Bottom Grid: BG-8900 Drying Tray: DT-2500
 Cutting Board : CB-5900 Roll-Up Mat: RO-2100
 Strainer: 190-9180

Project/Job name _____

Architect/Engineer _____

Contractor _____

Model _____ Q'ty _____

Notes _____