

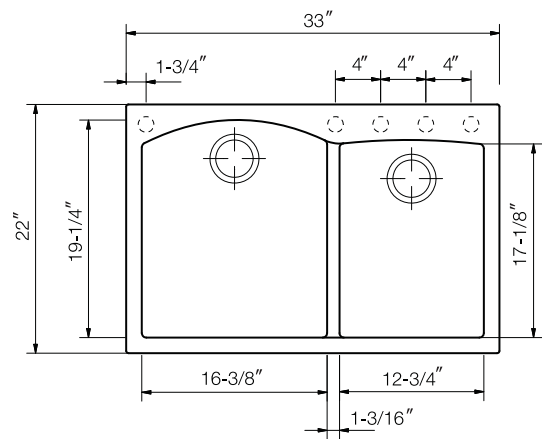
Quartztone® Topmount 60/40 Double Bowl Model P-175



P-175

FEATURES

- 80% quartz and granite
- 9-1/2" depth • Pre-scored up to 5 faucet holes
- Intrinsically hygienic non-porous surface
- Antibacterial protection with silver ion Microstop®
- Silky to the touch, 3 times harder than natural granite
- Food-safe, UV-stable-will not fade • Color-fast throughout
- Heat resistance to +500°F
- Highest resistance to thermal shock, scratches and chips
- Ariapure® features odor and pollutant disinfection
- Fits 36" sink base
- Supplied with cutout template, fasteners and instructions
- 1 year Limited Warranty



OPTIONAL COLORS



Midnite
Metallic

Mocha
Solid

Taupe
Structured

Sand
Solid

Cloud
Solid

| OVERALL DIMENSIONS | EACH BOWL | CUTOUT SIZE | PACKAGING* | WEIGHT* |
|--------------------|--|--------------|------------|------------|
| 33" x 22" | 16-3/8" x 19-1/4" 12-3/4" x 17-1/8" | See Template | 1/10 pcs. | 51/550lbs. |

*Standard packaging: Single boxed /Pallet of single boxed.
All dimensions are in inches. Specifications subject to change without notice.

OPTIONAL ACCESSORIES

Bottom Grid: 629801 (large bowl),
629802 (small bowl)

Strainer Options: Stainless steel strainers,
Color strainers, Color Disposal flanges

Project/Job name _____

Architect/Engineer _____

Contractor _____

Model _____ Q'ty _____

Notes _____