

## PREMIERE GOURMET SERIES

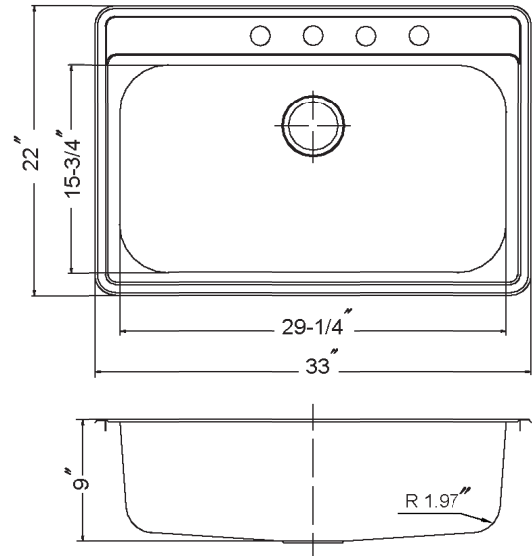
### Topmount Gourmet Single Bowl Model PGS-3122



PGS-3122

#### FEATURES

- Premium grade T-304 stainless steel
- 9" depth • 18 gauge • 4 holes
- StoneGuard™ undercoating over Super-Silencer pad
- Lustrous satin with highlighted rim
- Fits 36" sink base
- 3-1/2" drain opening
- Supplied with fasteners and instructions
- Complies with ASME A112.19.3-2000, UPC®
- Lifetime Limited Warranty



#### OPTIONAL ACCESSORIES

Bottom Grid: BG-3600

Cutting Board : CB-2500

Strainer: 190-9180

OVERALL DIMENSIONS	EACH BOWL	CUTOUT SIZE	PACKAGING*	WEIGHT*
33" x 22"	29-1/4" x 15-3/4"	See Template	1/14/20 pcs.	30/450/530lbs.

\*Standard packaging: Single boxed /Pallet of single boxed/Pallet of bulk pack.  
All dimensions are in inches. Specifications subject to change without notice.

Project/Job name \_\_\_\_\_

Architect/Engineer \_\_\_\_\_

Contractor \_\_\_\_\_

Model \_\_\_\_\_ Q'ty \_\_\_\_\_

Notes \_\_\_\_\_

#### Installation profile

