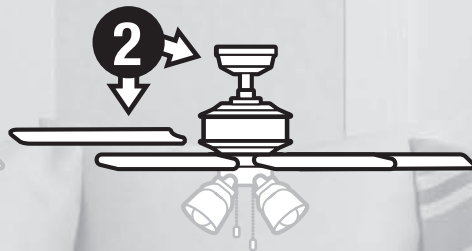
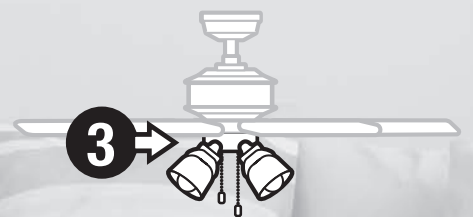




Prep



Connect



Complete

Crestfield

Installation Manual

Model: 52534 Matte Silver
52535 Fresh White
52536 Noble Bronze
Fan weight ± 2 lbs: 24.0 lbs (10.9 kg)

Hunter

©2023 Hunter Fan Co.
M4011-01 r032923

Congratulations on purchasing your new Hunter® ceiling fan!

The ceiling fan you purchased will provide comfort and performance in your home or office for many years. This instruction manual contains complete instructions for installing and operating your fan. We are proud of our work and appreciate the opportunity to supply you with the best ceiling fan available anywhere in the world.

We are here to help!

This Instruction Manual is designed to make installation as simple as possible. While working through this Instruction Manual, keep your smartphone or tablet nearby. We have added video links to help you through the more technical sections. If you are unfamiliar or uncomfortable with wiring, contact a qualified electrician. We also provide telephone support at 1.888.830.1326 or visit us at HunterFan.com.



READ and SAVE These Instructions

⚠ WARNING

Warning



- w.1** To reduce the risk of fire, electrical shock, or personal injury, mount fan directly from building structure and/or an outlet box marked acceptable for fan support of 70 lbs (31.8 kg) and use the mounting screws provided with the outlet box.
- w.2** To avoid possible electrical shock, before installing or servicing your fan, disconnect the power by turning off the circuit breakers to the outlet box and associated wall switch location. If you cannot lock the circuit breakers in the off position, securely fasten a prominent warning device, such as a tag, to the service panel.
- w.3** To reduce the risk of electric shock, this fan must be installed with an isolating wall control/switch.
- w.4** To reduce the risk of personal injury, do not bend the blade brackets when installing the blade brackets, balancing the blades, or cleaning the fan. Do not insert foreign objects in between rotating fan blades.
- w.5** This appliance can be used by children aged from 8 years and above and persons with reduced physical, sensory or mental capabilities or lack of experience and knowledge if they have been given supervision or instruction concerning use of the appliance in a safe way and understand the hazards involved. Children shall not play with the appliance. Cleaning and user maintenance shall not be made by children without supervision. It is recommended that children be supervised to ensure that they are not using the appliance improperly.
- w.6** - To reduce the risk of fire or electric shock or injury to persons, do not use replacement parts that have not been recommended by the manufacturer (e.g. parts made at home using a 3D printer).

Caution

- c.1** All wiring must be in accordance with national and local electrical codes ANSI/NFPA 70. If you are unfamiliar with wiring, use a qualified electrician.
- c.2** Use only Hunter replacement parts.

This equipment has been tested and found to comply with the limits for a Class B digital device, pursuant to part 15 of the FCC Rules. These limits are designed to provide reasonable protection against harmful interference in a residential installation. This equipment generates, uses and can radiate radio frequency energy and if not installed and used in accordance with the instructions may cause harmful interference to radio communications.

However, there is no guarantee that interference will not occur in a particular installation. If this equipment does cause harmful interference to radio or television reception, which can be determined by turning the equipment off and on, the user is encouraged to try to correct the interference by one or more of the following measures:

- Reorient or relocate the receiving antenna.
- Increase the separation between the equipment and receiver.
- Connect the equipment into an outlet on a circuit different from that to which the receiver is connected.
- Consult the dealer or an experienced radio/TV technician for help.

Caution: modifications not approved by the party responsible for compliance could void user's authority to operate the equipment.

This device complies with Part 15 of the FCC Rules. Operation is subject to the following two conditions: (1) This device may not cause harmful interference, and (2) this device must accept any interference received, including interference that may cause undesired operation.

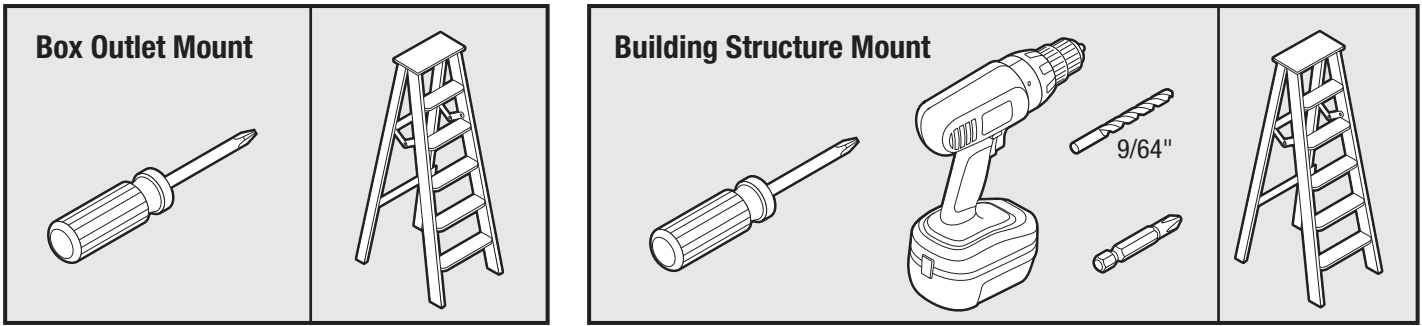
This product conforms to UL Standard 507.



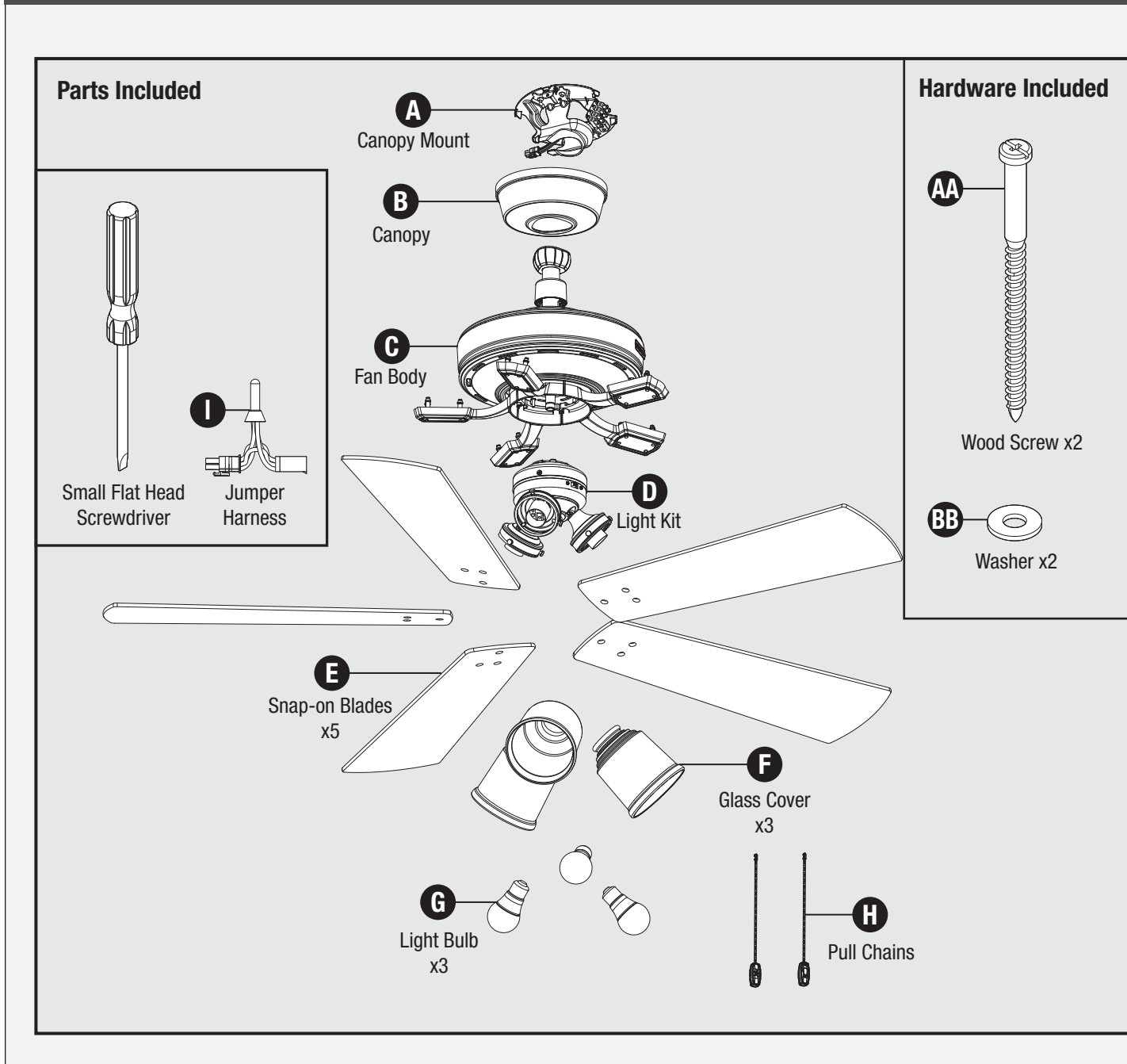
Hunter

© 2023 Hunter Fan Company
7130 Goodlett Farms Pkwy,
Suite 400 | Memphis TN
38016

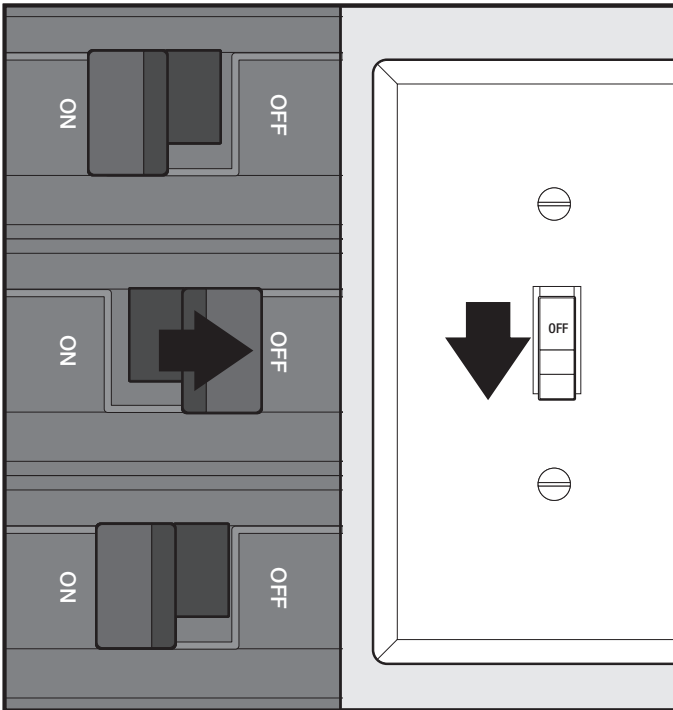
Tools Needed for Installation



Box Contents



Before Beginning Installation



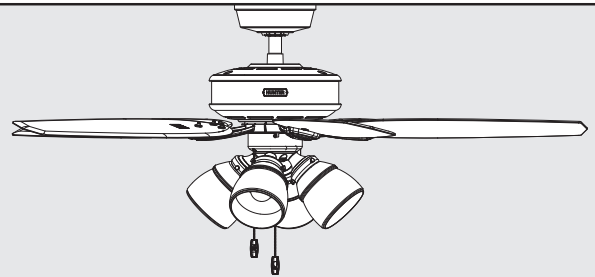
Turn Power **OFF**, breaker and light switch.

! WARNING



To avoid possible electrical shock, before installing your fan, disconnect the power by turning off the circuit breakers to the outlet box associated with the wall switch location.

Standard Mount



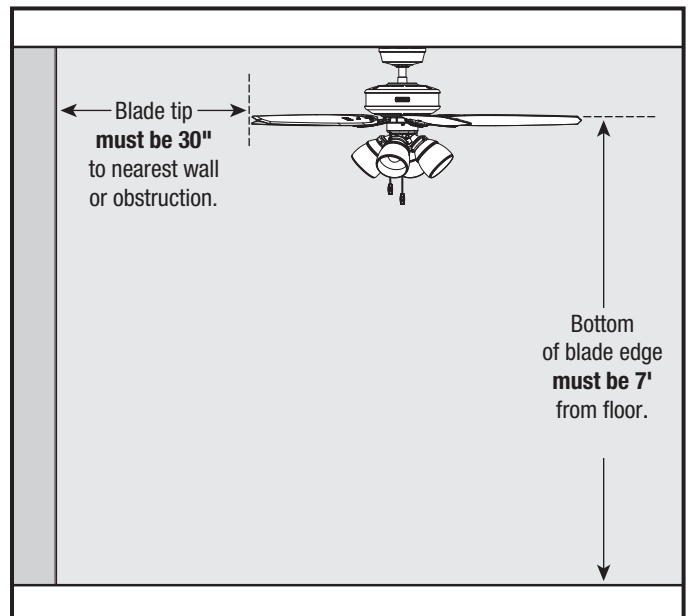
This installation is for **flat ceilings** using the short pre-installed downrod ceiling fans.

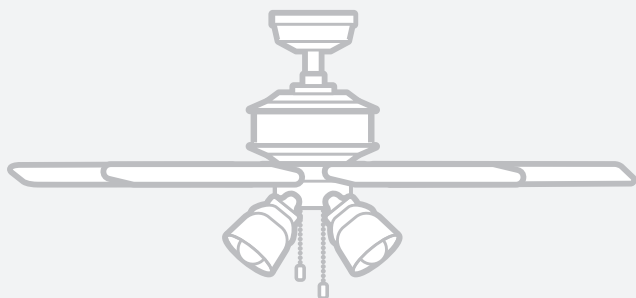
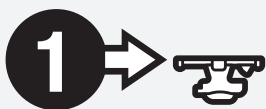
IMPORTANT

The **longest** accessory downrod that can be used with HunterExpress® fans is **12-inches**.

When using the longer down rod, threadlocker will need to be applied (see Installation—Longer Downrod at the end of this manual for more information).

Room Dimensions

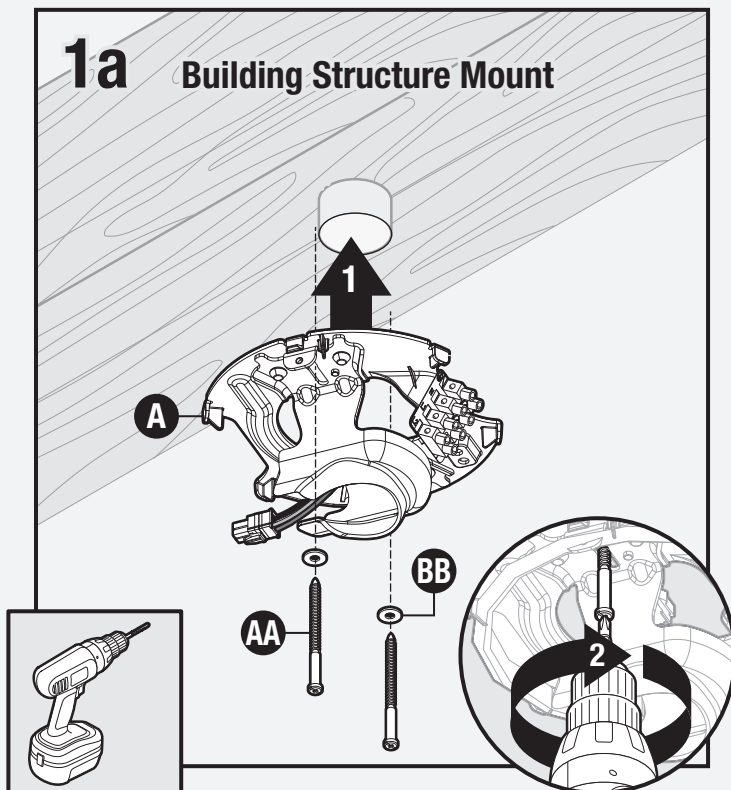




Prep

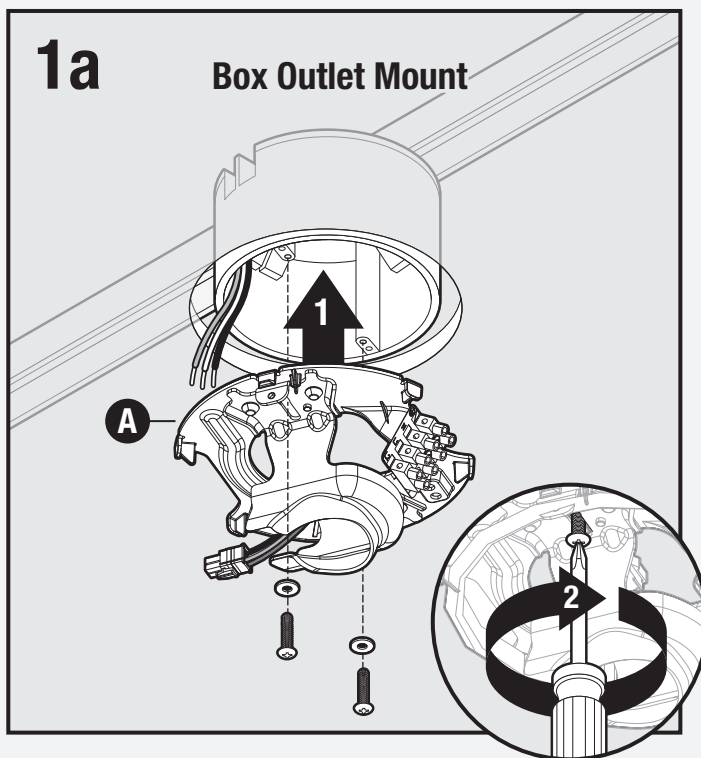
- You must be able to secure the fan to building structure or fan-rated outlet box.
- You have two options for installation. Pick which one works best for your location. Remove any existing bracket prior to installation.

1a Building Structure Mount



Using wood screws (AA) and washers (BB) included, install canopy mount (A) through box outlet into building structure. Drilling 9/64" pilot holes in building structure will aid in securing canopy mount (A).

1a Box Outlet Mount

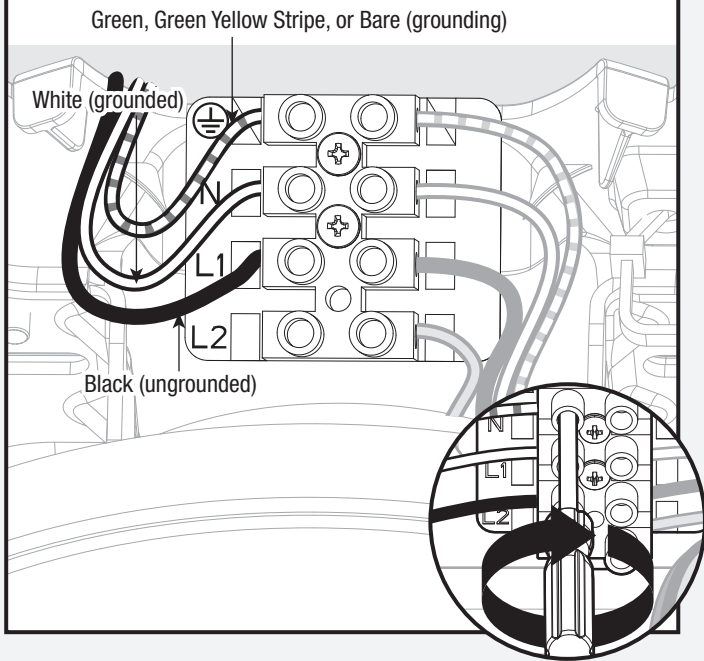


Install canopy mount (A) to box outlet. Secure with machine screws and washers (provided with outlet box).

Hunter[®]

Installation – Canopy Mount and Terminal Wiring (continued)

1b Single Switch Wiring



Connect wiring from ceiling to terminal block (on side of canopy mount) and tighten using flathead screwdriver (included). For single switch wiring an additional jumper harness component will be needed which is seen in step 2d.

⚠ WARNING



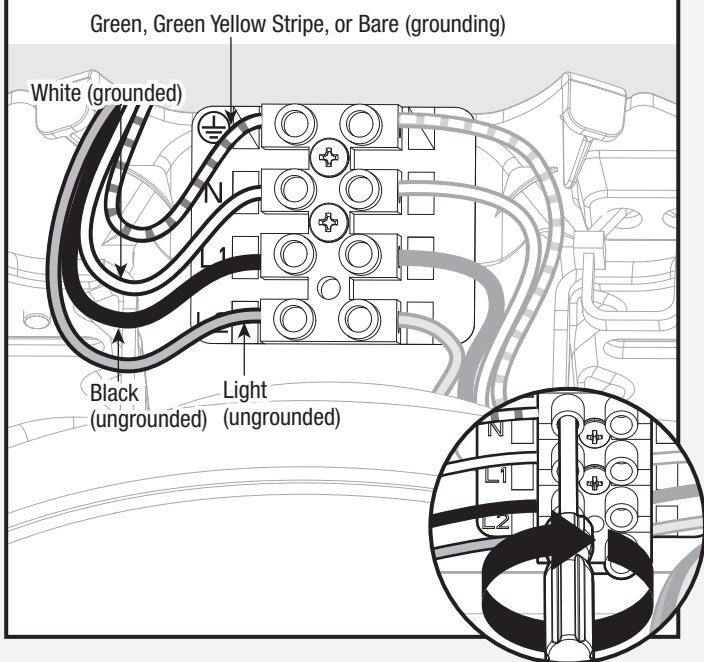
The ceiling fan **must** be grounded. If the ground wire for the installation site is not present, immediately **STOP** installation and consult a qualified electrician.

⚠ WARNING

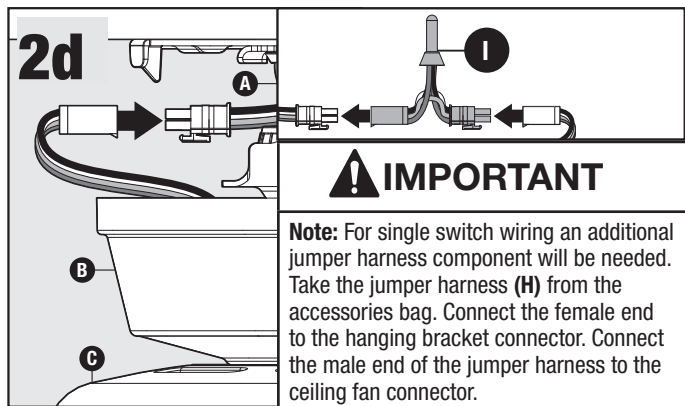
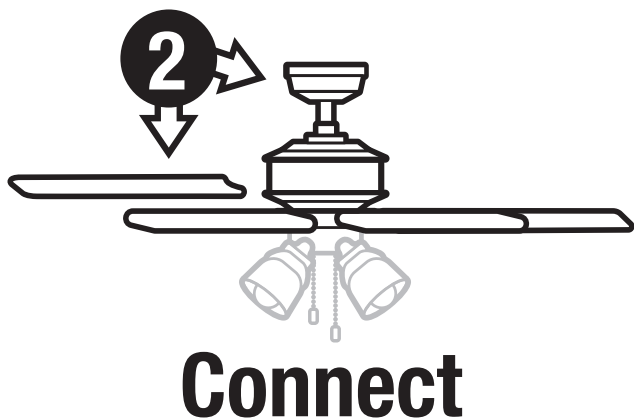


All wiring **must** be in accordance with national and local electrical codes ANSI/NFPA70. If you are unfamiliar with wiring or in doubt, consult a qualified electrician.

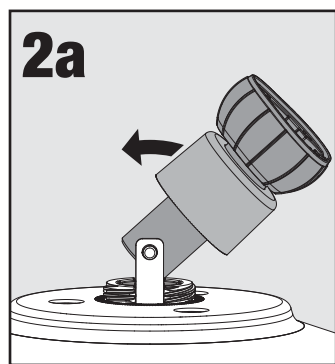
1b Dual Switch Wiring



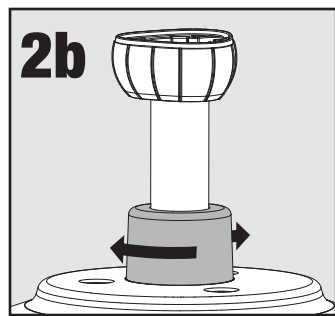
Connect wiring from ceiling to terminal block (on side of canopy mount) and tighten using flathead screwdriver (included).



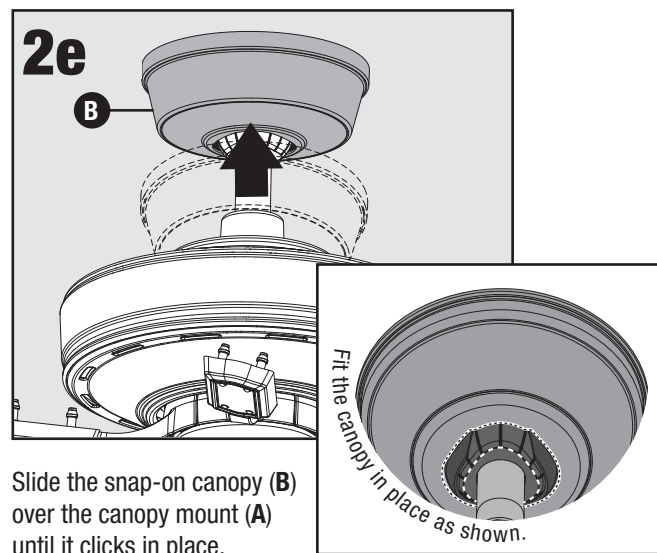
Connect wiring harness from canopy mount (A) to wiring harness from fan body (C).



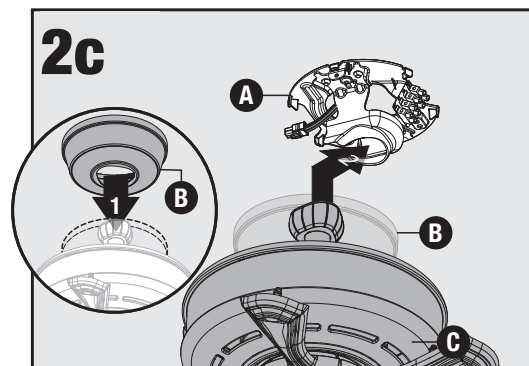
Rotate the downrod into an upright position.



Keep downrod upright and lower downrod adapter cover and twist clockwise until tight.



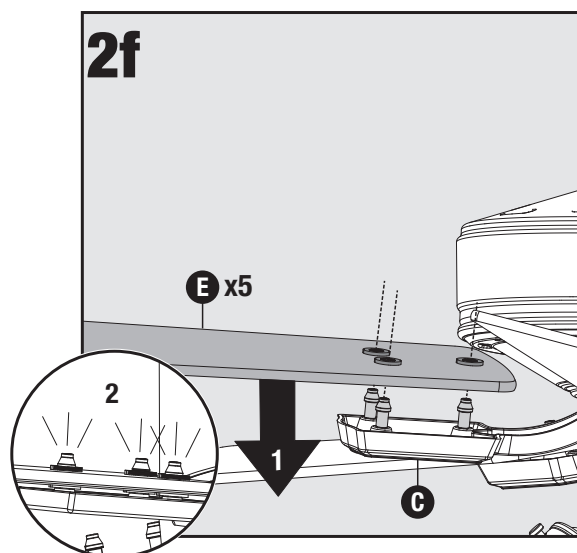
Slide the snap-on canopy (B) over the canopy mount (A) until it clicks in place.



NOTICE

To prevent damage to fan, **ALWAYS** lift holding either the fan housing or the downrod. Do not lift by wires.

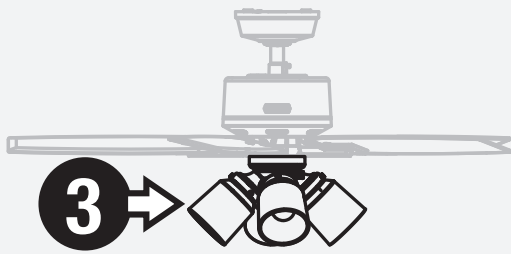
Install snap-on canopy (B) over downrod on fan body (C). Place the down rod ball into the slot in canopy mount (A) with built-in ceiling bracket.



Install a snap-on blade to pop locks on pre-installed blade iron. Repeat for remaining blades (E).

Note:

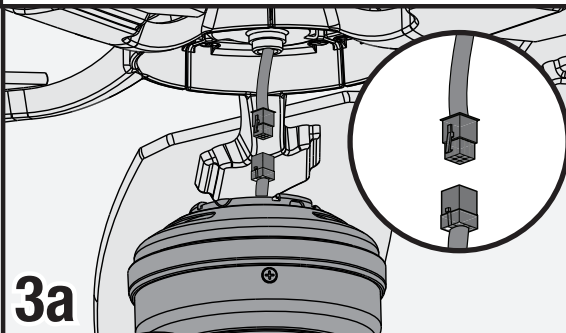
Fan style may vary.



Complete

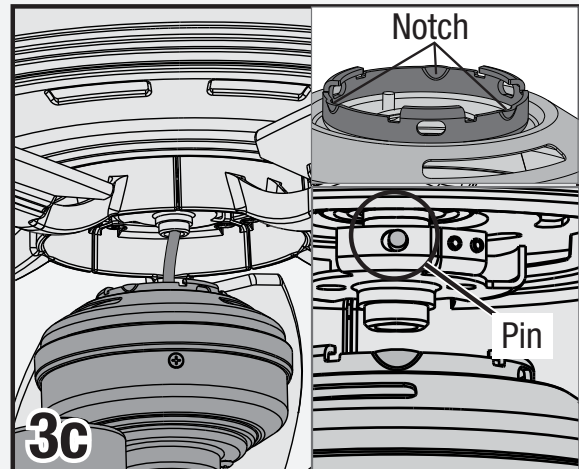


Remove the cardboard plug guard before proceeding!



3a

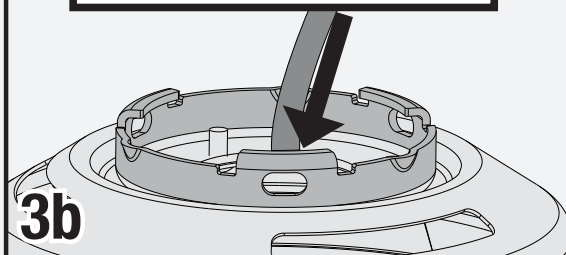
Connect the plugs from the fan and light fixture. Make sure to line up the colored markings on the connectors.



3c

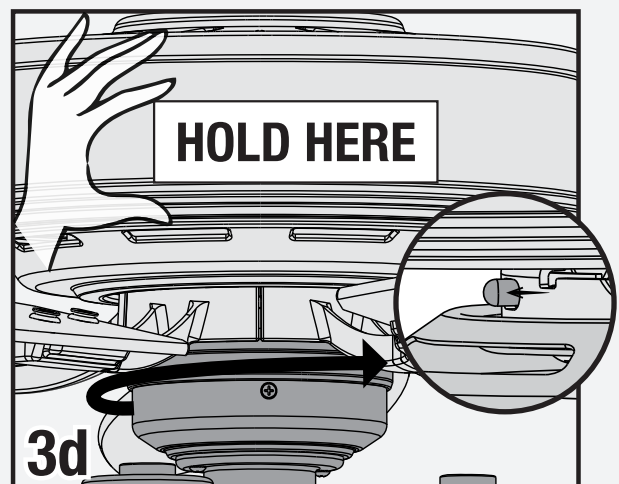
Raise the light kit to the bottom of the fan. Align the notch on the mounting ring on the top of the light kit with the pin in the mounting bracket on the bottom of the fan.

! IMPORTANT



3b

Push the connector and excess wire into the hole at the top of the light fixture. The connector and excess wiring must be pushed into the light fixture in order to successfully mount the light fixture to the fan.



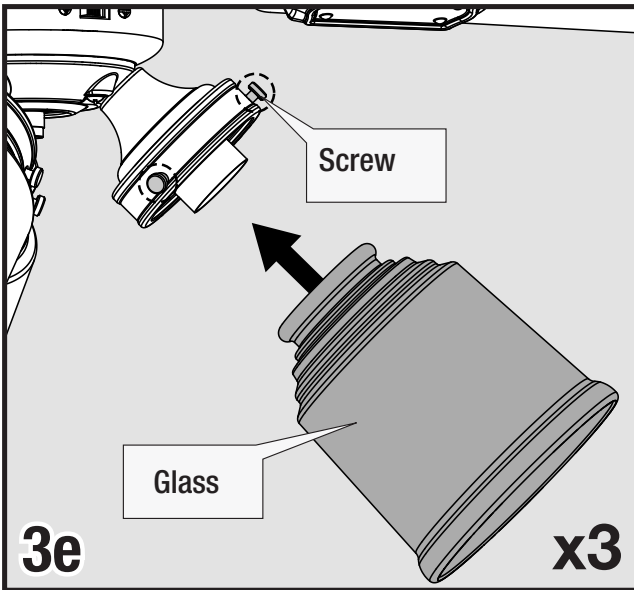
3d

Hold the fan body stationary and rotate the light fixture clockwise to engage the locking pin.

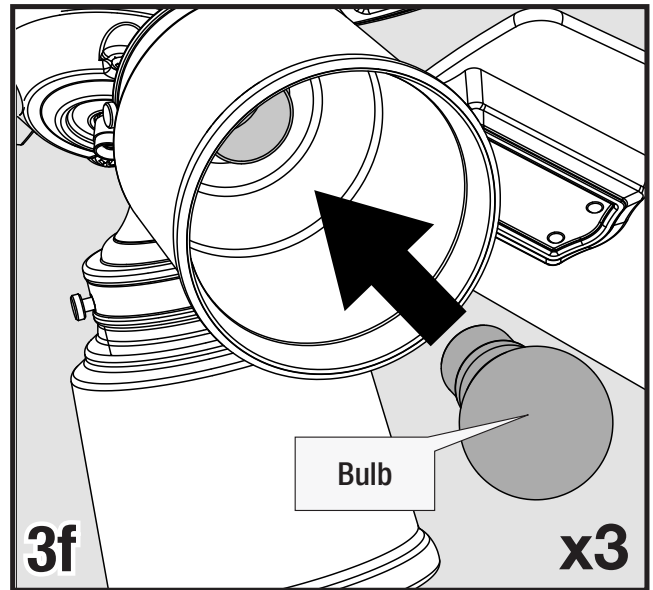
Note:

Fan style may vary.

Installation – Glass Cover



To install the glass, first loosen the thumb screws. Raise the glass to the light fixture. Tighten all thumbscrews securely.



Install a bulb into each of the sockets. When necessary, replace with bulbs of same wattage.

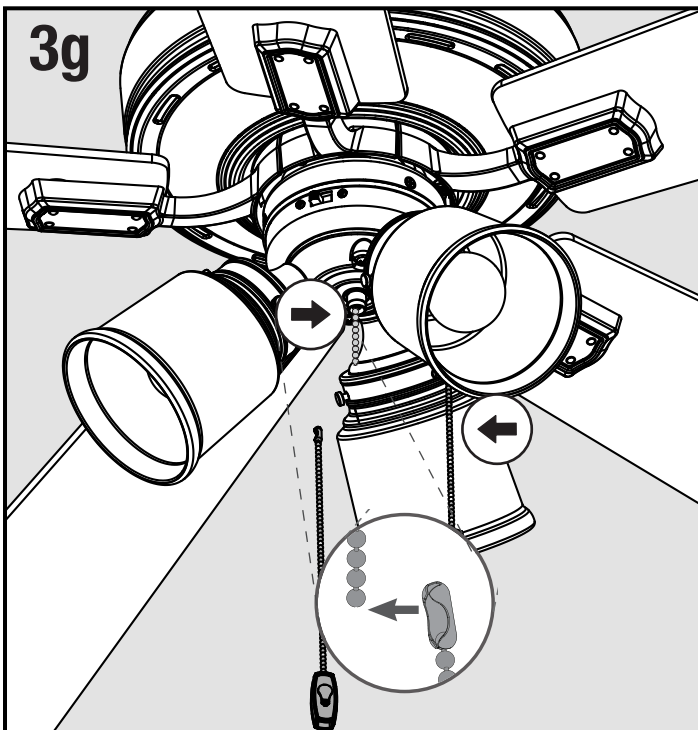
⚠ WARNING



GLASS FALL HAZARD

To prevent **SERIOUS INJURY** or **DEATH**, make **sure that glass is properly secured.**

Installation – Pull Chain Pendants



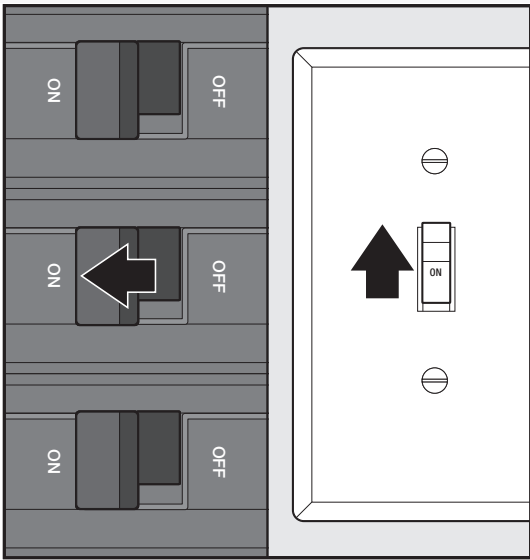
Attach the pull chain pendants to the light and fan pull chains.

Repeat x2



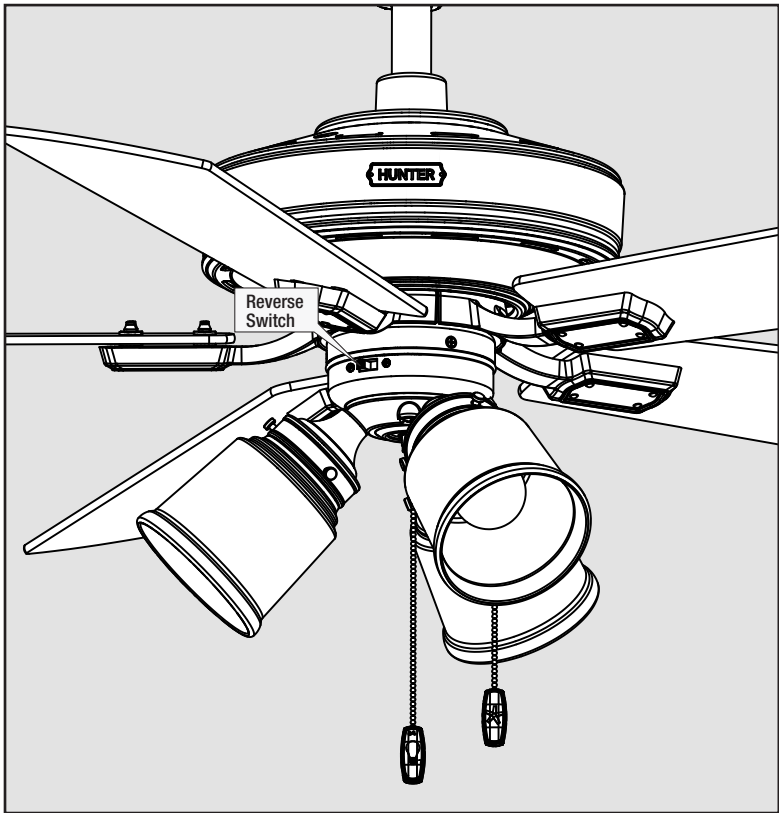
The fan pull chain controls the speed: from high to off.

The light pull chain controls the light fixture: on and off.

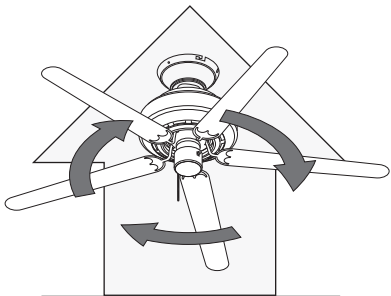


Turn Power **ON**, breaker and main switch.

Reversing the Fan

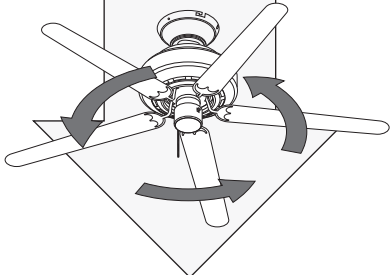


Ceiling fans work in two directions: downdraft (counterclockwise rotation) and updraft (clockwise rotation). To change the direction of air flow, turn the fan off and let it come to a complete stop. The reversing switch is located inside the light fixture. It can only be accessed when the glass is removed. Slide the reversing switch to the opposite position. Restart the fan.



Updraft (clockwise rotation) creates a more indirect airflow. Updraft airflow is great for moving warm air downward.

Downdraft (counterclockwise rotation) creates a direct breeze and maximum cooling effect.



Troubleshooting

Fan Does Not Work

- Make sure power switch is on.
- Check the circuit breaker to ensure the power is turned on.
- Make sure the blades spin freely.
- Turn off power from the circuit breaker, then loosen the canopy and check all the connections according to the wiring diagram.

Excessive Wobbling

- Make sure the blades are properly installed on the blade iron posts.
- Turn the power off, support the fan carefully, and check that the hanger ball is properly seated.

Noisy Operation

- Make sure the blades are properly installed.
- Check to see if any of the blades are cracked. If so, replace all of the blades.

Limited Lifetime Warranty

Hunter Fan Company grants this limited warranty to the original purchaser of this Hunter ceiling fan. This document can be found at www.HunterFan.com.

Thank you for choosing Hunter!

How Can Warranty Service Be Obtained?

Proof of purchase is required when requesting warranty service. The original purchaser must present a sales receipt or other document that establishes proof of purchase.

Hunter, at its sole discretion, may accept a gift receipt. To obtain service, contact Hunter Fan Company online or by phone.

www.HunterFan.com/Support/Contact-Us/

1-888-830-1326

Please do not ship your fan or any fan parts to Hunter. Delivery will be refused.

What Does This Warranty Cover?

Motor — Limited Lifetime Warranty

If any part of your ceiling fan motor fails during your ownership of the fan due to a defect in material or workmanship, as determined solely by Hunter, Hunter will provide you with a replacement fan free of charge.* The foregoing limited warranty applies only to the motor itself and does not apply to electronic controls – such as remote control transmitters, remote control receivers, or capacitors – used in conjunction with the motor. Such electronic control items are included in the one-year limited warranty below.

Other — One-Year Limited Warranty

Except as otherwise indicated throughout this warranty, if any part of your Hunter ceiling fan fails at any time within one year of the date of purchase due to a defect in material or workmanship, as determined solely by Hunter, Hunter will provide a replacement part free of charge.*

Light Kits — Warranty May Vary

Light kits are included in the one-year limited warranty. However, you may qualify for additional warranty coverage if your fan includes one of the following:

- LED Light Kits — Three-Year Limited Warranty If your LED light kit module (not including glass components) or LED bulb fails at any time within three years of the date of purchase due to a defect in material or workmanship, as determined solely by Hunter, Hunter will provide a replacement part free of charge.*

* If no replacement product/part can be provided for your fan, we will provide a comparable or superior replacement product/part at the sole discretion of Hunter.

What Does This Warranty NOT Cover?

Labor Excluded. This warranty does not cover any costs or fees associated with the labor (including electrician's fees) required to install, remove, or replace a fan or any fan parts. There is no warranty for light bulbs (except where otherwise noted); remote control batteries; fans purchased or installed outside the United States; fans owned by someone other than the original purchaser; fans for which proof of purchase has not been established; fans purchased from an unauthorized dealer; ordinary wear and tear; minor cosmetic blemishes; refurbished fans; and fans that are damaged due to any of the following: improper installation, misuse, abuse, improper care, failure to follow Hunter instructions, accidental damage caused by the fan owner or related parties, modifications to the fan, improper or incorrectly performed maintenance or repair, improper voltage supply or power surge, use of improper parts or accessories, failure to provide maintenance to the fan, or acts of God (e.g. flood).

ORIGINAL PURCHASER'S SOLE AND EXCLUSIVE REMEDY FOR A CLAIM OF ANY KIND WITH RESPECT TO THIS PRODUCT SHALL BE THE REMEDIES SET FORTH HEREIN. HUNTER FAN COMPANY IS NOT RESPONSIBLE FOR CONSEQUENTIAL OR INCIDENTAL DAMAGES, DUE TO PRODUCT FAILURE, WHETHER ARISING OUT OF BREACH OF WARRANTY, BREACH OF CONTRACT, OR OTHERWISE. Some States do not allow the exclusion or limitation of incidental or consequential damages, so the above limitation or exclusion may not apply to you.

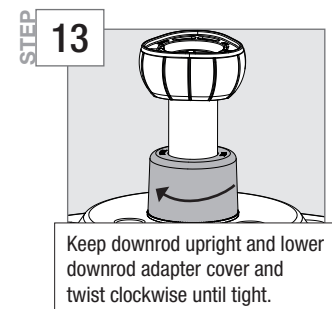
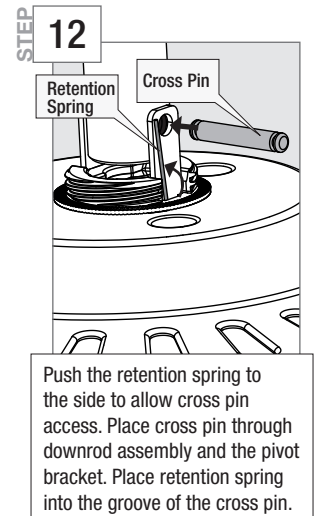
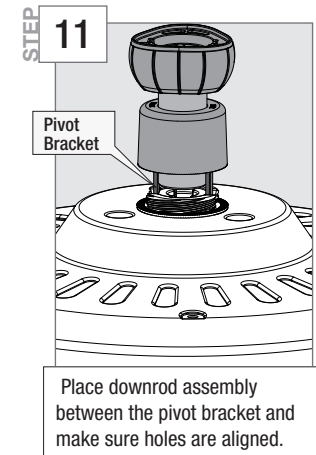
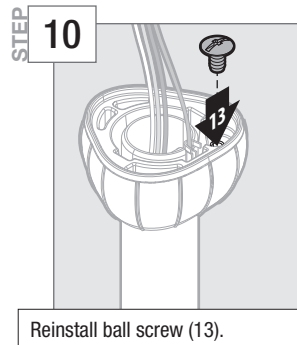
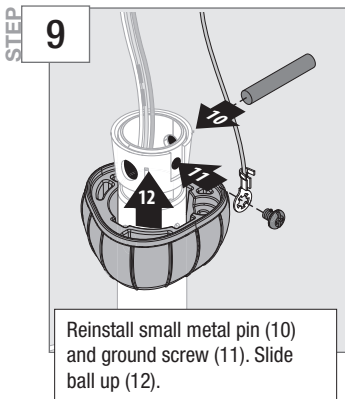
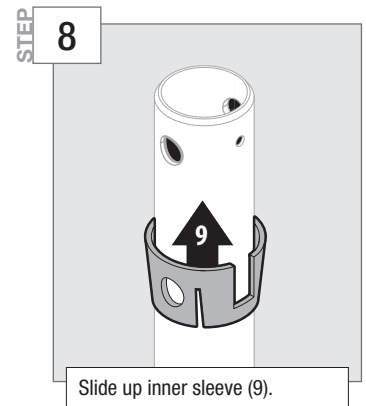
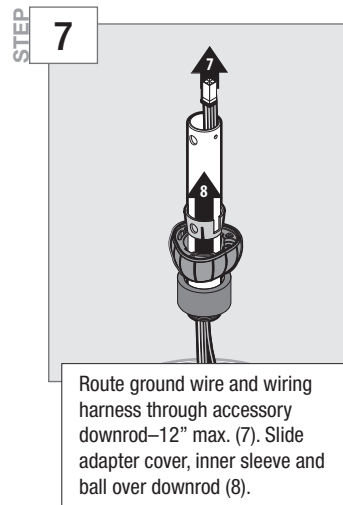
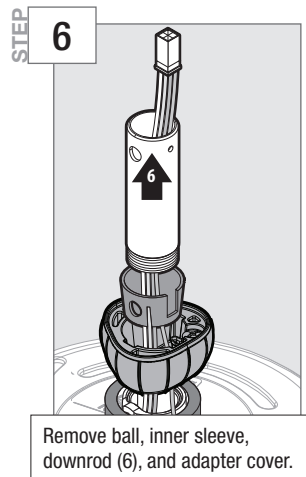
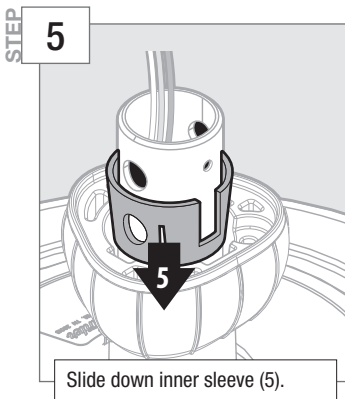
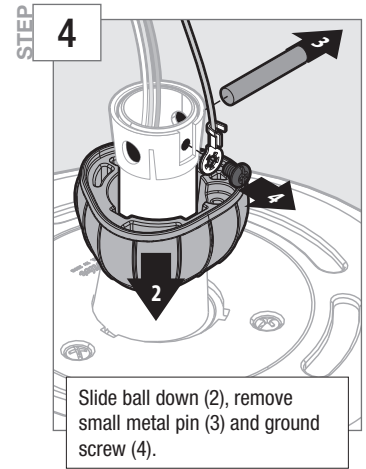
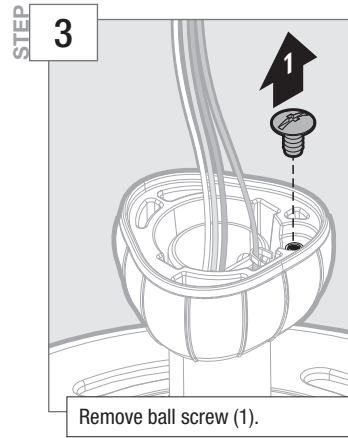
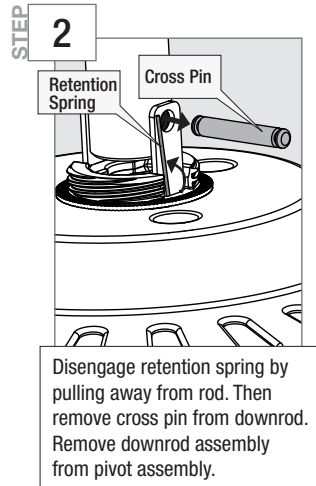
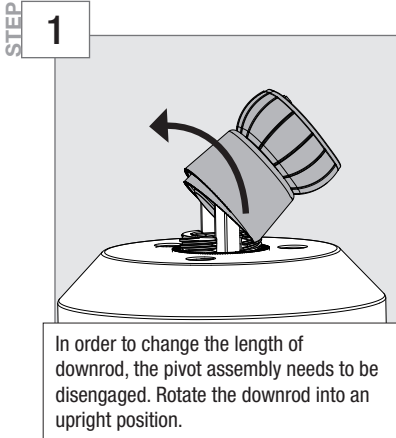
ANY IMPLIED WARRANTIES OF MERCHANTABILITY OR FITNESS FOR A PARTICULAR PURPOSE APPLICABLE TO THIS PRODUCT ARE LIMITED IN DURATION TO THE PERIOD OF COVERAGE OF THE APPLICABLE LIMITED WARRANTIES SET FORTH ABOVE. Some States do not allow limitations on how long an implied warranty lasts, so the above limitation may not apply to you.

How Does State Law Affect Warranty Coverage?

This warranty gives you specific legal rights. You may also have other rights which vary from state to state.

Using a Different Size Downrod

If you need a different downrod length follow these steps:



WARNING

FAN FALL HAZARD

To prevent **SERIOUS INJURY** or **DEATH**:

- **ALWAYS** follow the downrod assembly instructions exactly.
- **VERIFY** the downrod is assembled correctly by firmly pulling on the hanger ball.

Note:
Fan style may vary.