

## FEATURE:

- LED 3000K, CRI 90+
- 4" and 6" Recessed Can Substitute
- UL Outlet Box fitted on fixture
- Dimmable with Triac Dimmer
- Good for new construction and remodels
- Suitable for Closets according to NEC Section 410.8 & 410.16
- Indirect lighting into cove for soft-even illumination eliminating glare
- IC rated for direct contact with insulation
- Damp Location Rated
- Title 24 JA8 Compliant
- Fire Rated
- ETL/cETL

## PRODUCT ACCESSORIES



**57790**

Cove Rough in Plate  
for New Construction



LMXBRO1903

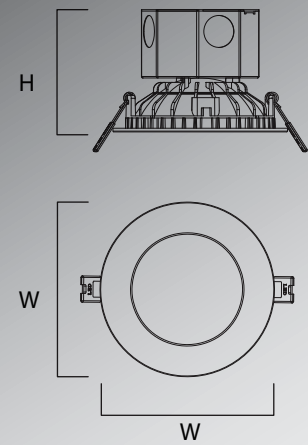
**MAXIM**<sup>®</sup>  
LIGHTING

For More information, contact us :  
**626.956.4200**

[maximlighting.com](http://maximlighting.com)

**COVE**  
RECESSED DOWNLIGHT

**MAXIM**<sup>®</sup>  
LIGHTING



# COVE

## RECESSED DOWNLIGHT

Cove Recessed Downlight series offers a UL Outlet Box that is fitted to the fixture for easy installation. The Cove can substitute standard recessed without the need of recessed housing. Available in standard 120V, Triac dimming, with Color Temperature of 3000K, and CRI 90+.

The Cove Recessed Downlight on trims are also available in White finishes making the Cove Recessed Downlight the most versatile LED Retrofit on the market today.

ITEM #	DIMENSIONS	LAMPING	LUMENS	VOLTAGE
57794	4.75" W x 3.25"H	9W LED CRI90+ 3000K (Integrated)	540	120V
57796	6.75" W x 3.75"H	12W LED CRI 90+ 3000K (Integrated)	720	120V

### FINISH OPTIONS:

White (WT)

