

Medeco® XT Dual-Tech Cylinder

For Rapid-Entry Applications

The patented Medeco XT Dual-Tech retrofit cylinder is designed for both accountability and rapid-entry applications. It combines two cylinder technologies – the Medeco XT electronic cylinder and the Medeco X4 mechanical cylinder – in one mortise cylinder housing. Both cylinders operate independently of one another so access is provided using either the XT Key or the X4 key.



Allows fire department emergency facility access using a familiar mechanical key while the XT Intelligent key is used for daily accountability. In multi-family applications, tenants use the mechanical key and maintenance uses XT key for accountability. Ideal for any application requiring a mechanical key override.

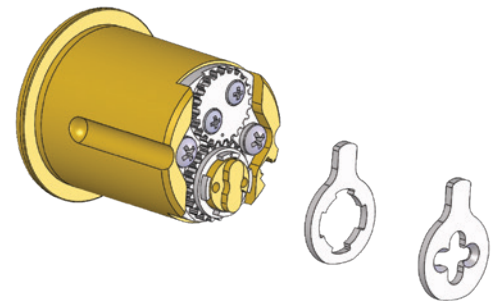
Medeco Dual Tech Cylinder

Description	Part Number	Price
XT Dual Tech 1-1/4" Mortise Cylinder, with Medeco X4	490423 G	
XT Dual Tech 1-1/4" Mortise Cylinder for Arrow/Best	490426 G	
XT Dual Tech 1-3/4" Mortise Cylinder	490437 G	
XT Dual Tech Rim Cylinder	490432 G	

XT Dual-Tech Cams

Dual Tech mortise cylinders come complete with a set of 2 specially designed cams, a direct-drive cam operated by the Medeco XT key and an Override cam operated by the Mechanical key. Cam type must be indicated when ordering (Z00, Z01, etc.)

Important Note: The standard cams listed on pages 82-83 cannot be used in Dual-tech cylinders. Replacement cams must be ordered using the chart below. One each direct drive and override cam required per cylinder.



Dual Tech Cams

Description	Part Number	Price
Direct Drive Cam – Russwin	CP-100771-Z00	
Override Cam – Russwin Type	CP-100781-Z00	
Direct Drive Cam – Yale Type	CP-100771-Z01	
Override Cam – Yale Type	CP-100781-Z01	
Direct Drive Cam – Adams Rite	CP-100771-Z02	
Override Cam – Adams Rite Type	CP-100781-Z02	
Direct Drive Cam – Sargent	CP-100771-Z20	
Override Cam – Sargent Type	CP-100781-Z20	
Direct Drive Cam – Schlage	CP-100771-Z34	
Override Cam – Schlage Type	CP-100781-Z34	

How to Order a DualTech Cylinder

Technology	Base Part Number	Finish	Keyway	Pinning	Cam
X4	490423G	XX	XX	XX	XX
X4	490437G	XX	XX	XX	XX
X4	490432G	XX	XX	XX	XX
Arrow	490426G	XX	XX	XX	XX

Pinning Options:
 S = Sub Assembled
 P = Pinned
 M = Master Keyed