

LESSER SCAUPS -

also known as Bluebills

These are the most common Scaup... The other Greater Scaup much less common and only slightly different. For all intents and purposes these are the "Bluebills" hunters prize... Tough targets, cold weather prizes!

ACOUSTICAL



ACOUSTICAL

	Page
Acoustical Door Shoe	A17
Acoustical Foam Pad	A17
ADA Compliant Bumper Seal Thresholds	A19
Automatic Door Bottoms - Mortise	A18
Self-Adhesive Silicone Gasketing	A15
Self-Adhesive TPE Gasketing	A16
Sound Transmission Class (STC) Rated Pairs of Doors	A5
Sound Transmission Class (STC) Rated Single Door Assemblies	A2
STC Lite Kit / Glass	A20
STC Seal Charts - Pairs of Doors	A4-A5
STC Seal Charts - Single Doors	A2-A3
STC Seal Sets	A6-A14
Thermoplastic Door Shoes	A18



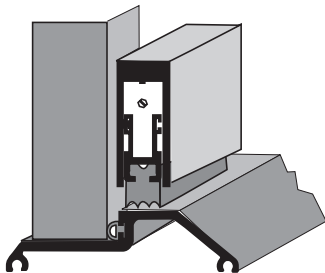
Numerical Index:

L-FRA100 STC.....	A20
L-FRA100-SP STC.....	A20
STC Seal Charts - Single Doors.....	A2-A3
STC Seal Charts - Pairs of Doors.....	A4-A5
STC Seal Set 1.....	A6
STC Seal Set 2.....	A7
STC Seal Set 3.....	A8
STC Seal Set 4.....	A9
STC Seal Set 5.....	A10
STC Seal Set 6.....	A11
STC Seal Set 7.....	A12
STC Seal Set 8.....	A13
STC Seal Set 9.....	A14
12T6.....	A18
60FP.....	A17
225S X STC2.....	A18
312V X 131N.....	A17
335S X STC2.....	A18
896-ADJ.....	A19
2525.....	A15
5050.....	A15
5060.....	A15
5075.....	A16
8144S.....	A19

Sound Transmission Class (STC) Rated Single Door Assemblies

The chart below indicates the STC rating of specially made acoustic doors using various applications of gasketing. The first column is the rating of the door panel only; tested in a static inoperable condition to determine the sound transmission through the door. The second column is the rating of the operable door installed with hardware and gasketing which provides the STC rating of the door assembly.

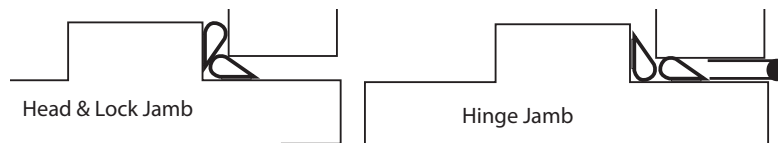
Acoustical testing to ASTM E90 Standard Test Method for Measurement of Airborne Sound Transmission Loss of Building Partitions and Elements, ASTM E2235 Standard Test Method for Determination of Decay Rates for use in Sound Insulation Test Methods, and ASTM E1332 Standard Classification for Rating Outdoor - Indoor Sound Attenuation. The sound transmission class (STC) was calculated in accordance with ASTM E413 Classification for Rating Sound Insulation.



897N x 420N

STC Rating Static Door Panel	STC Rating Operable Door w/ Gasketing	Perimeter Seals	Door Bottom	Threshold
30	30	103N, 107N, 120N, 122N 127N, 133N, 134N, 137N 137S, 303N, 700N, 700S	420N	897N
30	30	130S	225S	896S
30	30	107S	220S	950S
33	31	5020	780S	513
35	33	5025	780S	513
36	33	5050	335N	513
35	34	5020, 5075	780S	513
35	35	5070, 9750, 9850	335S	896S
40	37	5020, 5025	780S	513
40	37	5075	12T	513
40	37	103N, 107N, 303N	420N	897N
40	38	•(2) 5050	335N	896S
40	39	120N, 122N, 133N, 134N 137N, 137S, 700N, 700S	420N	897N
40	39	107S	220S	950S
44	39	1038N, 3038N	423N	896S
43	39	•(2) 5050	420N	412
42	40	•(2) 5050	Mortise 312V	896S
43	40	•(2) 5050	423N	896S
44	40	131N	335N	896S
47	41	103NFS	422N	897N
45	42	•(2) 5050	335N	896S
47	43	•(2) 5050	423N	896S
50	43	103N, 134N	420N	897N
50	43	107S	220S	950S
51	43	159M	420N	897N
48	44	•(2) 5050	423N	896S
49	44	103NFS	422N	8434S
52	44	107N, 131N, 1038N, 3038N	420N	897N

• Indicates 2 rows of 5050 installed as follows:



STC Seal Sets - Single Doors

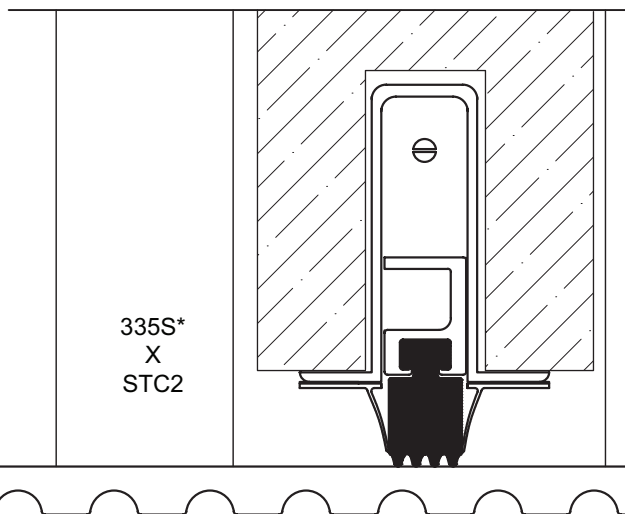
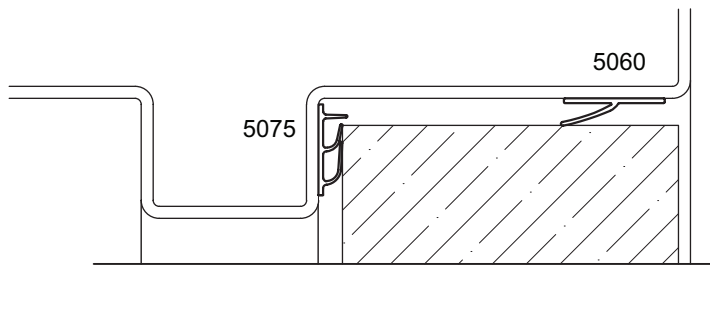
NGP Seal Sets maintain the static door panel STC with NO DROP OFF in an operable condition, up to the STC rating indicated.

STC Seal Set	STC Rating	Perimeter Seals at Heads & Jambs	Door Bottom	Corner Pads	Threshold
1	33	5050 & 2525	312V X 131N	60FP (2 req.)	8144S*
2	45	5075 & 5060	312V X 131N	60FP (2 req.)	8144S*
3	52	5075 & 5060	335S X STC2	60FP (2 req.)	8144S*
4	52	5075 & 5060	12T6 X STC-FH	60FP (2 req.)	8144S*
5	52	5075 & 5060	225S X STC2	60FP (2 req.)	8144S*
6	52	5075 & 5060	None	None	896S-ADJ

*optional

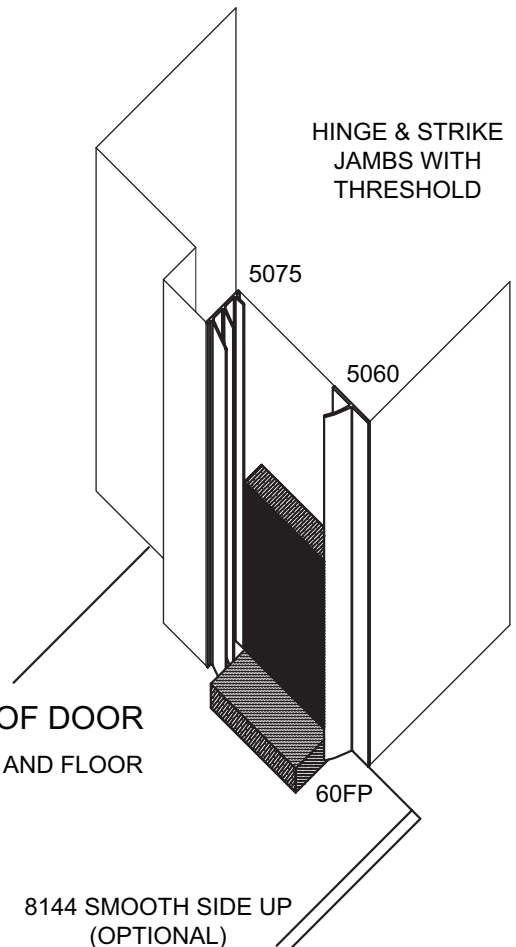
STC #3 Illustration

TOP OF FRAME
HEADER / JAMB AND DOOR



8144 SMOOTH SIDE UP
(OPTIONAL)

BOTTOM OF DOOR
THRESHOLD AND FLOOR



8144 SMOOTH SIDE UP
(OPTIONAL)

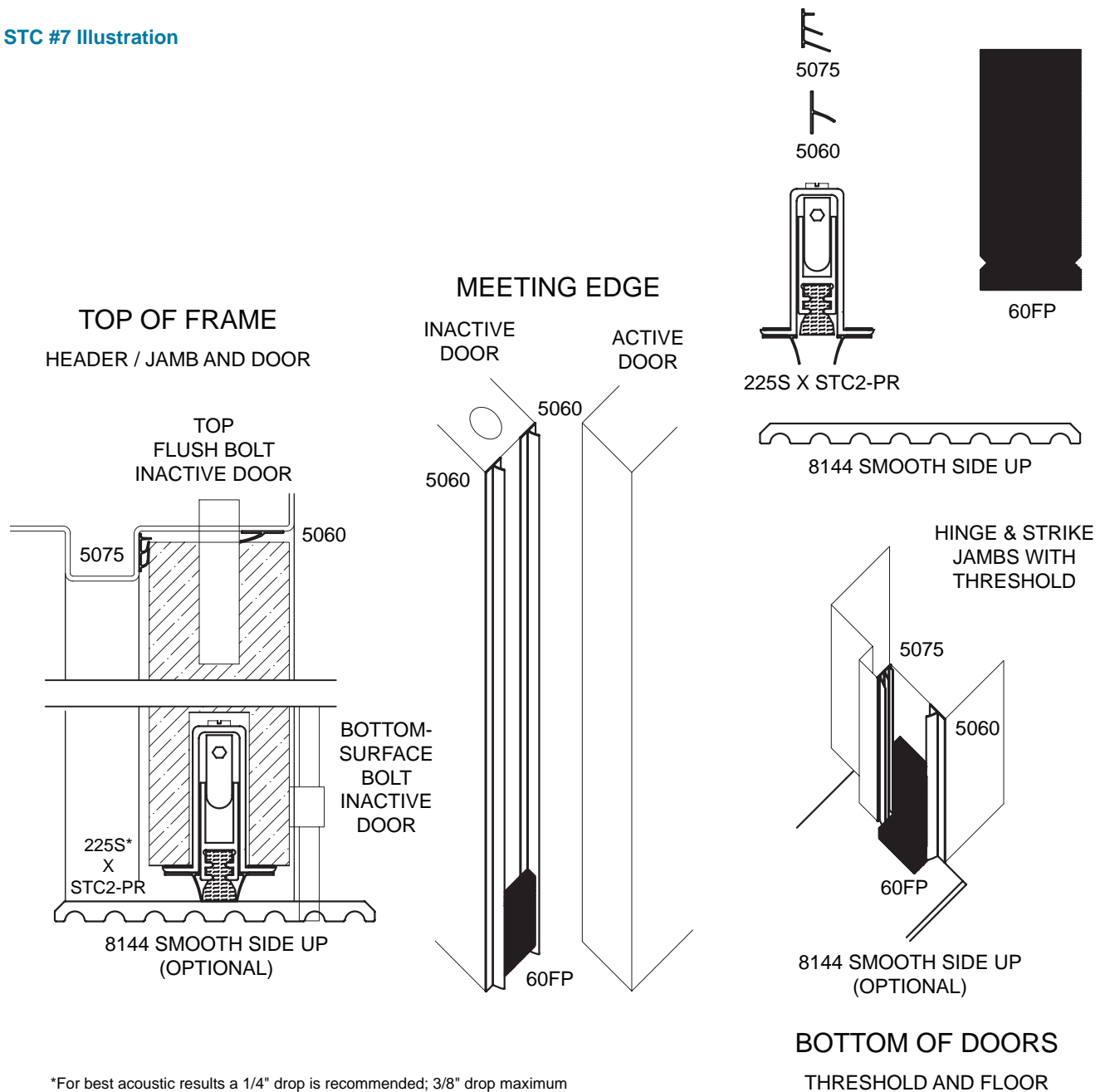
*For best acoustic results a 1/4" drop is recommended; 3/8" drop maximum

STC Seal Sets - Pairs of Doors

STC Seal Set	STC Rating	Perimeter Seals at Heads & Jambs	Door Bottom	Corner Pads	Meeting Edge Seals	Threshold
7	45	5075 & 5060	225S X STC2-PR	60FP (3 req.)	5060 (2 req.)	8144S*
8	45	5075 & 5060	12T6 X STC-FH	60FP (3 req.)	5060 (2 req.)	8144S*
9	45	5075 & 5060	335S X STC2-PR	60FP (3 req.)	5060 (2 req.)	8144S*

*optional

STC #7 Illustration



*For best acoustic results a 1/4" drop is recommended; 3/8" drop maximum

Sound Transmission Class (STC) Rated Pairs of Doors

Pairs of doors are intrinsically more difficult to control sound transmission through. Sealing the gap between the meeting edges under the doors is challenging, requiring a combination of properly coordinated and installed gasketing to seal all gaps.

STC Rating Static Door Panel	STC Rating Operable Door w/ Gasketing	Perimeter Seals	Door Bottom	Threshold	Astragal
35	35	5020		896S	5070
35	35	5070		896S	5070
35	34	5020	780S	512	5070
35	33	5025		896S	5070

Standard Doors without Special Acoustic Cores

Solid core wood doors with gasketing test to an STC rating of approximately 28 to 30. Mineral core wood doors and Honey comb core hollow metal doors with gasketing test to an STC rating of approximately 32 to 36. Without gasketing these doors have no sound control and test to an STC rating between 15 and 20.

To most effectively reduce sound transmission and maximize the acoustic performance we recommend the following be used:

PERIMETER AND DOOR BOTTOMS

- 107S Perimeter Seal
- 700S Seal at head if a parallel arm closer is used
- 220S Automatic Door Bottom
- Any Threshold - To allow proper sealing of Automatic Door Bottom

MEETING EDGE of PAIRS

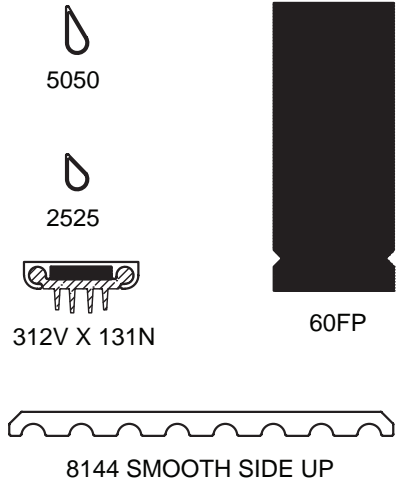
- 109N Overlapping Astragal
- 5070 Adhesive Astragal
- 115N Astragal Set

School Classroom Door STC Requirements

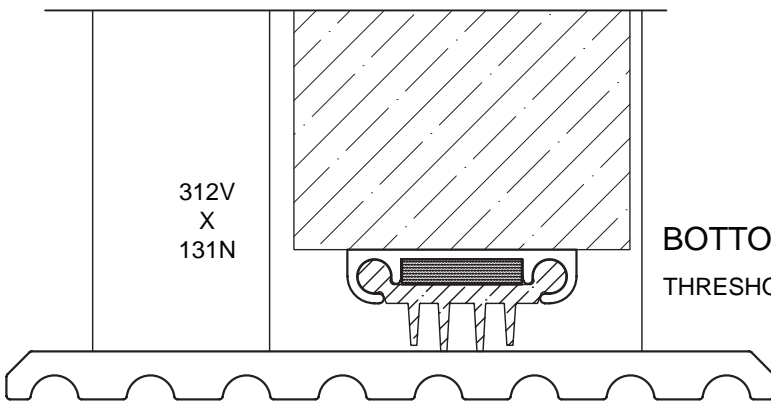
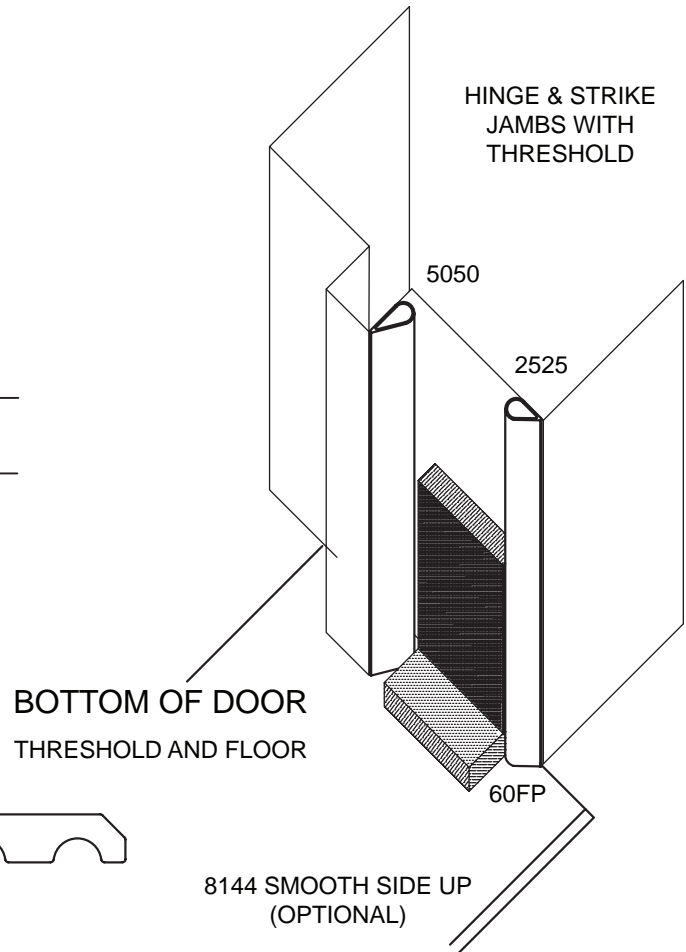
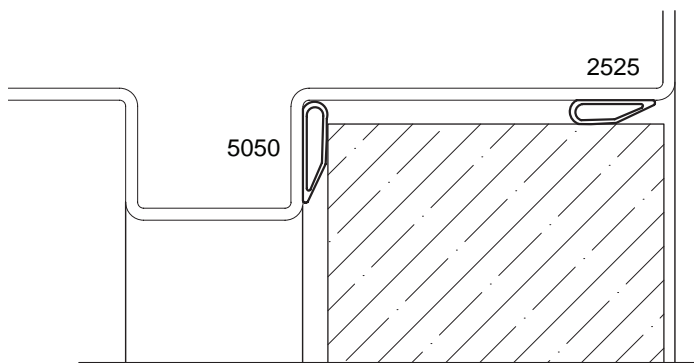
ANSI/ASA S12.60 Acoustical Performance Criteria, Design Requirements, and Guidelines for schools requires interior doors opening into core learning spaces to achieve STC 30 or greater in their operable condition and interior doors into music rooms at least STC 40.

NGP STC SEAL SET #1 FOR USE WITH STC 33 AND BELOW

LIST OF MATERIALS	
ITEMS	LOCATION
5050	JAMBS & HEADER
2525	JAMBS & HEADER
60FP (2 req.)	FRAME, LOWER CORNERS
312V X 131N	DOOR BOTTOM
8144S	THRESHOLD (OPTIONAL)



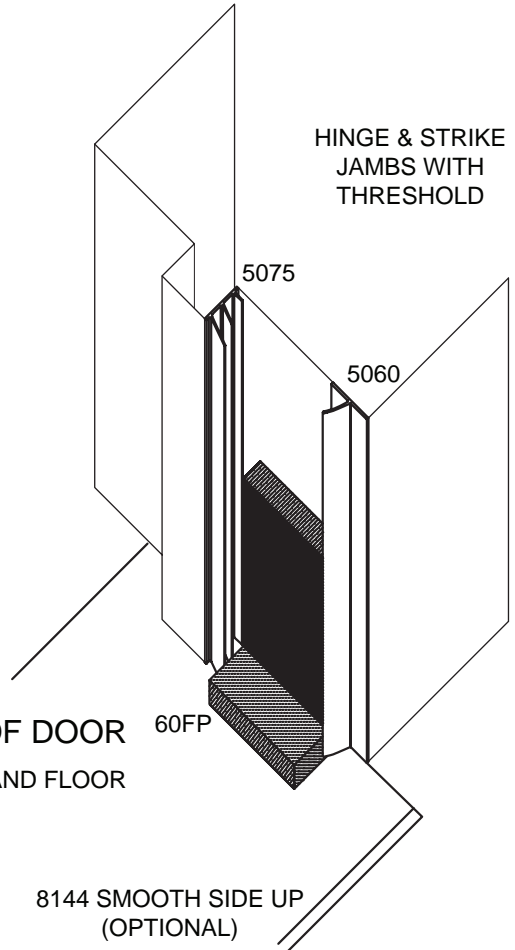
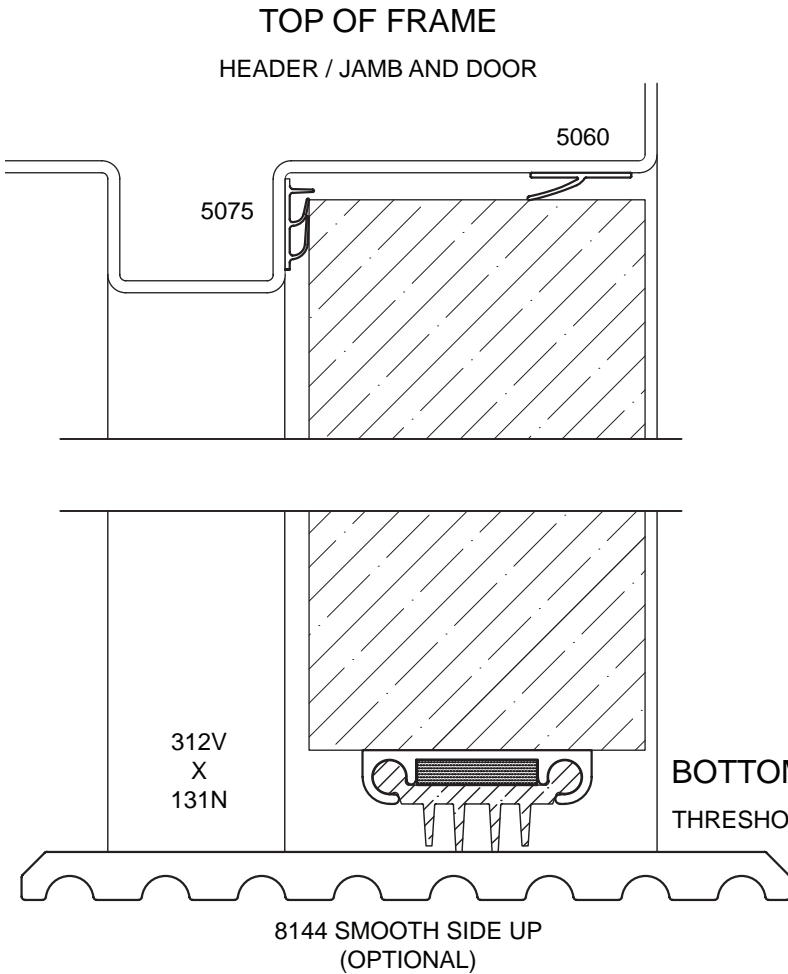
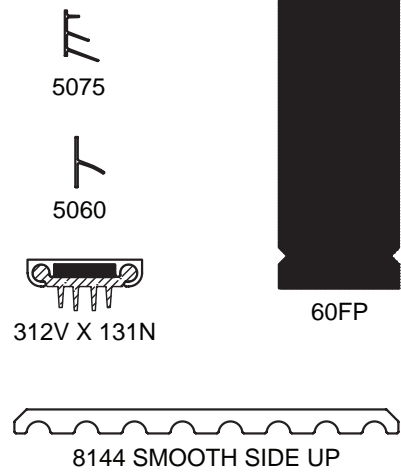
TOP OF FRAME
HEADER / JAMB AND DOOR



BOTTOM OF DOOR
THRESHOLD AND FLOOR

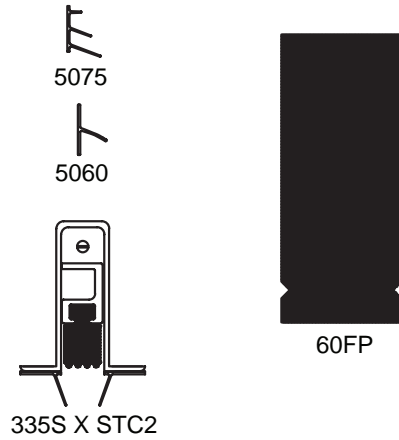
NGP STC SEAL SET #2 FOR USE WITH STC 45 AND BELOW

LIST OF MATERIALS	
ITEMS	LOCATION
5075	JAMBS & HEADER
5060	JAMBS & HEADER
60FP (2 req.)	FRAME, LOWER CORNERS
312V X 131N	DOOR BOTTOM
8144S	THRESHOLD (OPTIONAL)

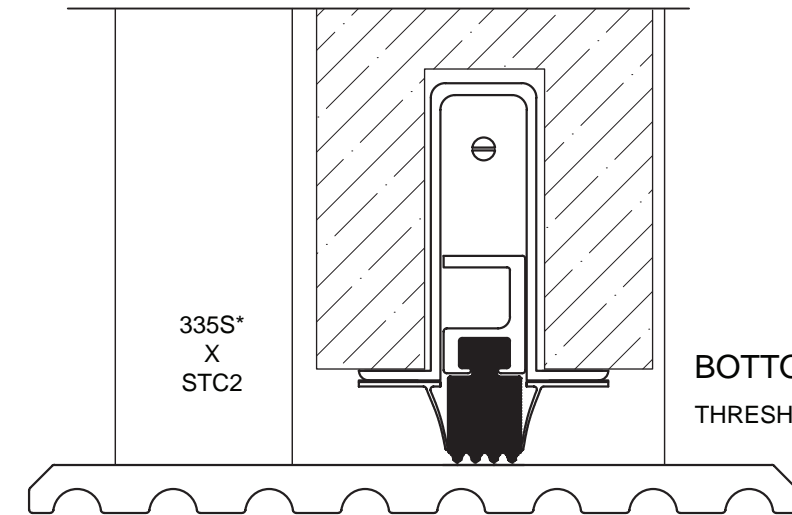
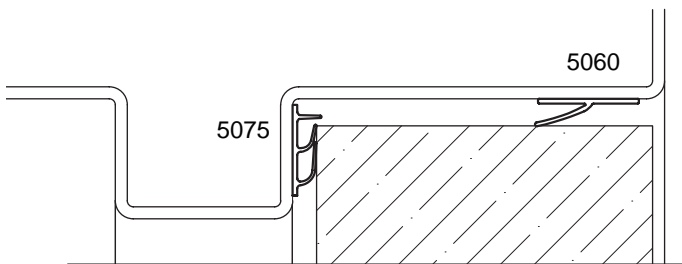


NGP STC SEAL SET #3 FOR USE WITH STC 52 AND BELOW

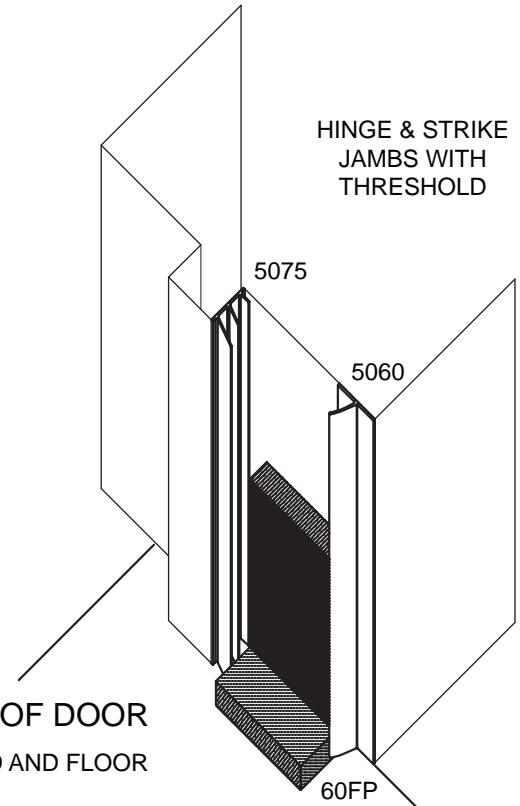
LIST OF MATERIALS	
ITEMS	LOCATION
5075	JAMBS & HEADER
5060	JAMBS & HEADER
60FP (2 req.)	FRAME, LOWER CORNERS
335S X STC2	DOOR, MORTISE ADB
8144S	THRESHOLD (OPTIONAL)



TOP OF FRAME
HEADER / JAMB AND DOOR



8144 SMOOTH SIDE UP
(OPTIONAL)



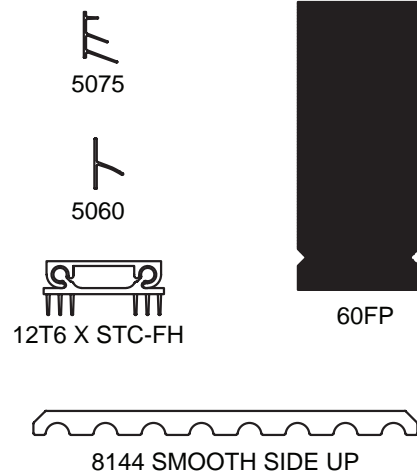
BOTTOM OF DOOR
THRESHOLD AND FLOOR

8144 SMOOTH SIDE UP
(OPTIONAL)

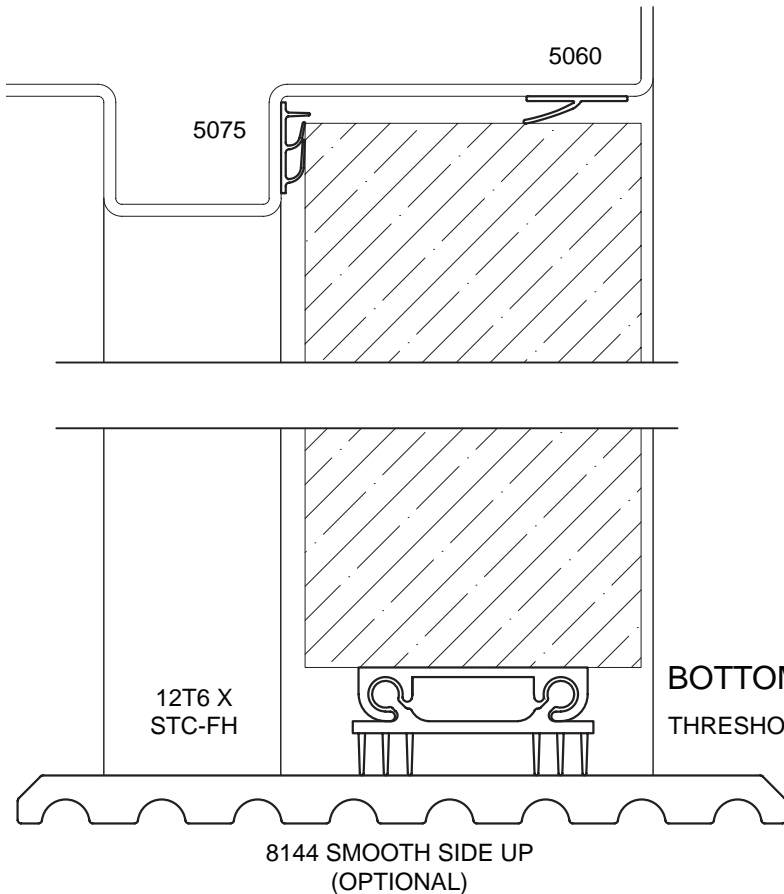
*For best acoustic results a 1/4" drop is recommended; 3/8" drop maximum

NGP STC SEAL SET #4 FOR USE WITH STC 52 AND BELOW

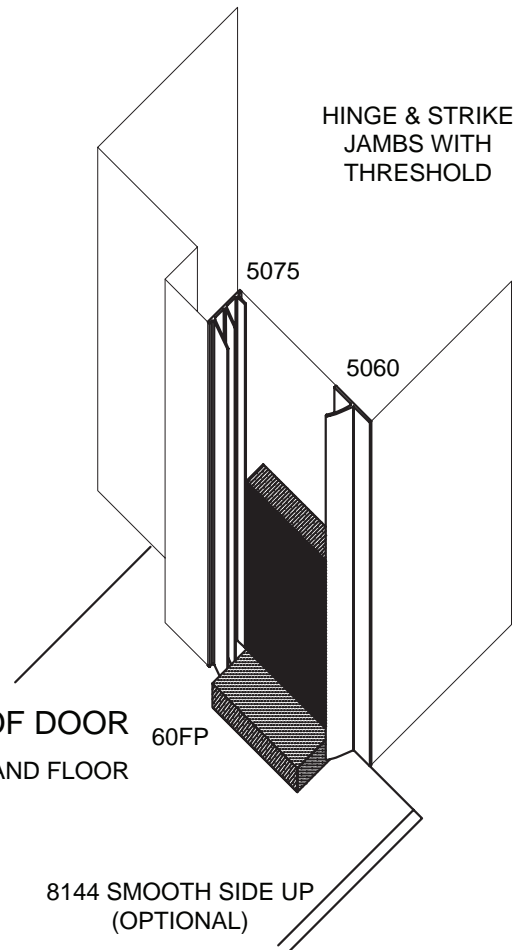
LIST OF MATERIALS	
ITEMS	LOCATION
5075	JAMBS & HEADER
5060	JAMBS & HEADER
60FP (2 req.)	FRAME, LOWER CORNERS
12T6 X STC-FH	DOOR SHOE WITH STC FASTENER HOLES
8144S	THRESHOLD (OPTIONAL)



TOP OF FRAME
HEADER / JAMB AND DOOR



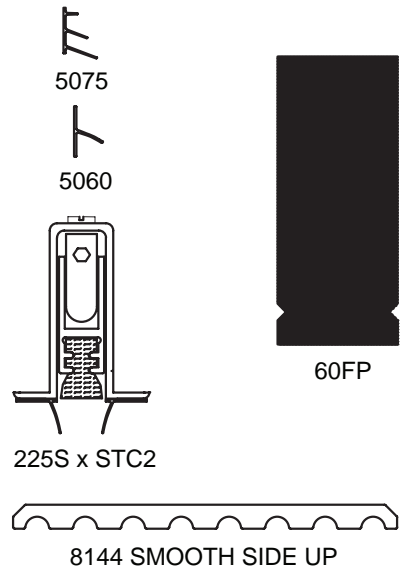
HINGE & STRIKE JAMBS WITH THRESHOLD



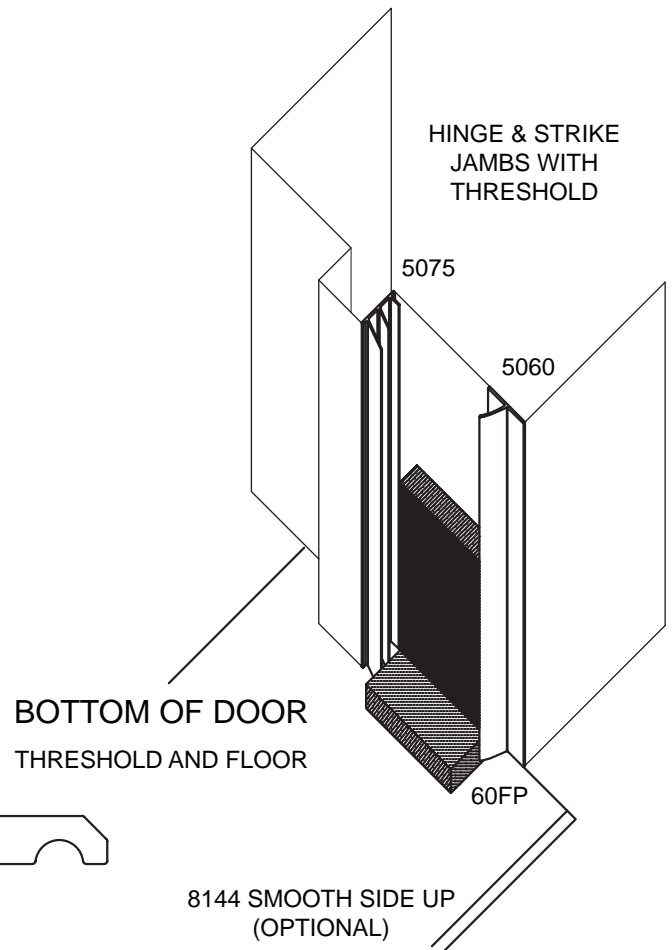
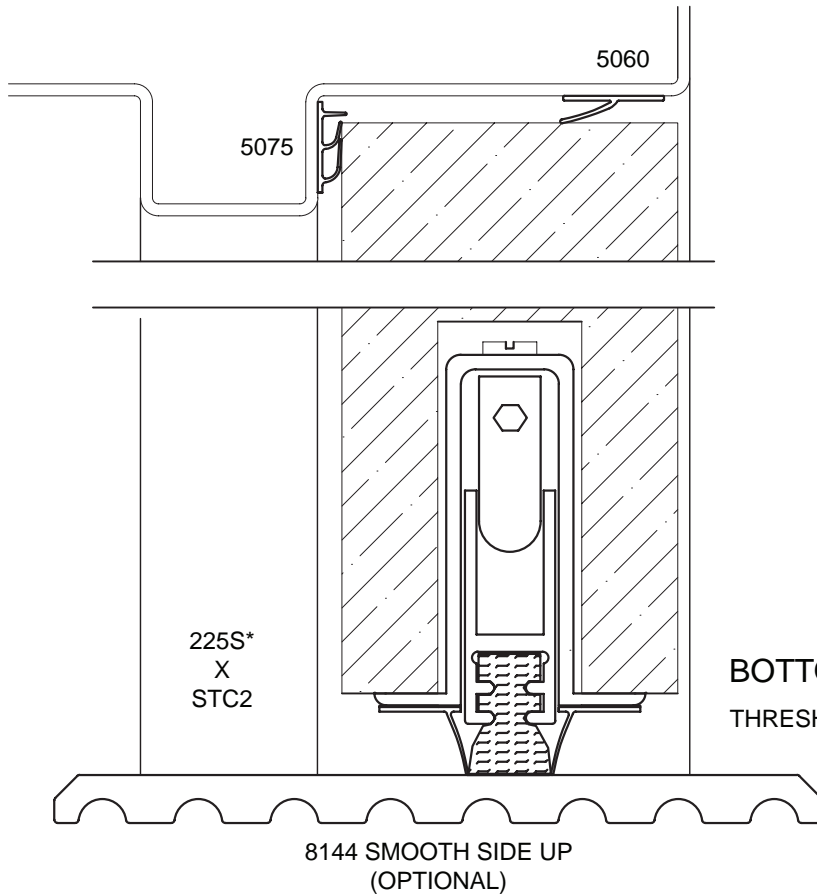
BOTTOM OF DOOR
THRESHOLD AND FLOOR

NGP STC SEAL SET #5 FOR USE WITH STC 52 AND BELOW

LIST OF MATERIALS	
ITEMS	LOCATION
5075	JAMBS & HEADER
5060	JAMBS & HEADER
60FP (2 req.)	FRAME, LOWER CORNERS
225S X STC2	DOOR, MORTISE ADB
8144S	THRESHOLD (OPTIONAL)



TOP OF FRAME
HEADER / JAMB AND DOOR



*For best acoustic results a 1/4" drop is recommended; 3/8" drop maximum

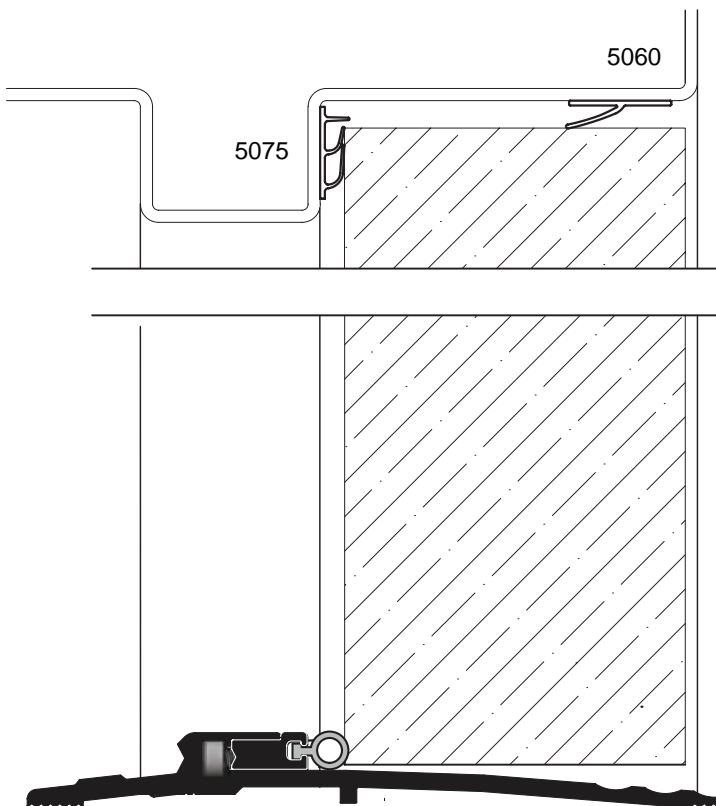
NGP STC SEAL SET #6 FOR USE WITH STC 52 AND BELOW

LIST OF MATERIALS	
ITEMS	LOCATION
5075	JAMBS & HEADER
5060	JAMBS & HEADER
896S-ADJ	ADJUSTABLE BUMPER THRESHOLD



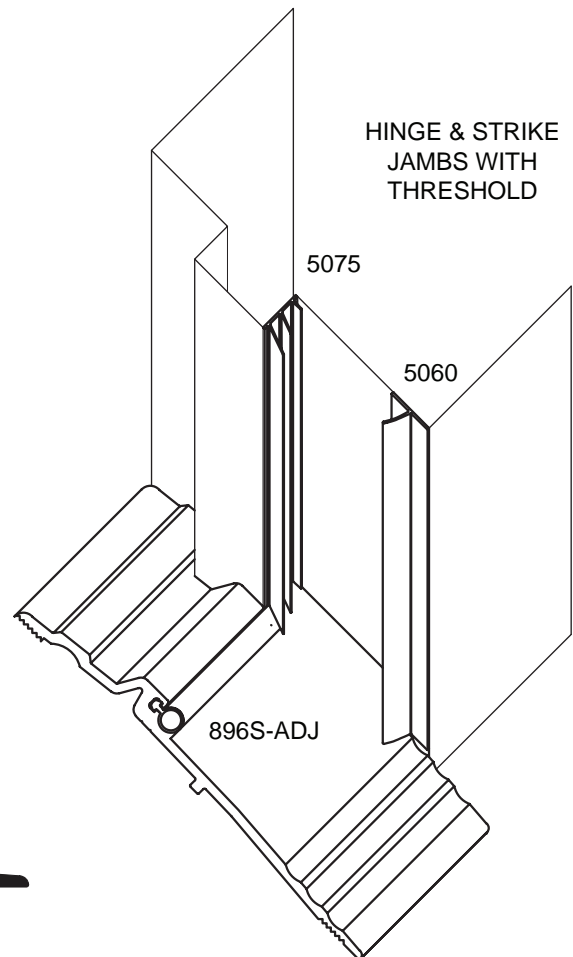
896S-ADJ

TOP OF FRAME
HEADER / JAMB AND DOOR



896S-ADJ* BUMPER THRESHOLD

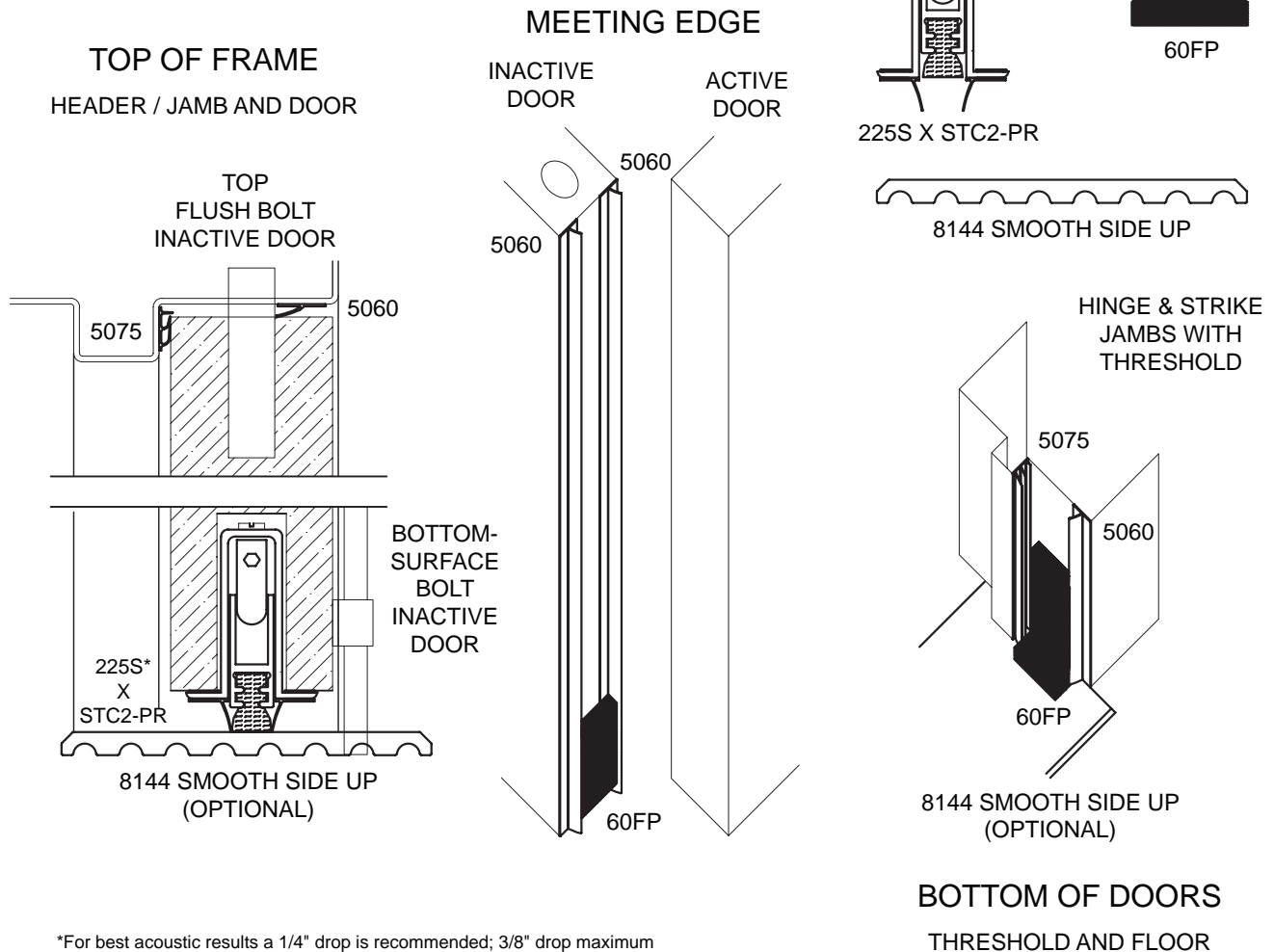
*ADA bumper style threshold, requires 3/8" undercut on doors



HINGE & STRIKE
JAMBS WITH
THRESHOLD

NGP STC SEAL SET #7 FOR USE WITH PAIRS OF DOORS STC 45 AND BELOW

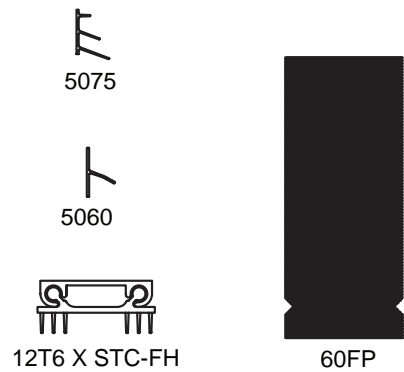
LIST OF MATERIALS	
ITEMS	LOCATION
5075	JAMBS & HEADER
5060	JAMBS & HEADER
60FP (2 req.) 60FP (1 req.)	FRAME, LOWER CORNERS INACTIVE DOOR, LOWER
225S X STC2-PR	DOOR, MORTISE ADB WITH STC2 & FLANGE SEAL
5060	INACTIVE DOOR, 2 ROWS
8144S	THRESHOLD (OPTIONAL)



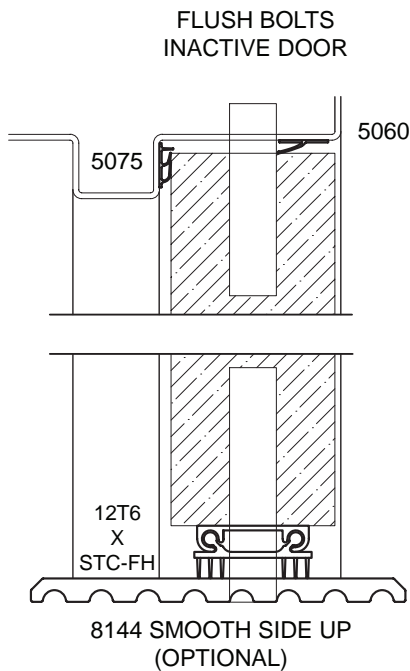
*For best acoustic results a 1/4" drop is recommended; 3/8" drop maximum

NGP STC SEAL SET #8 FOR USE WITH PAIRS OF DOORS STC 45 AND BELOW

LIST OF MATERIALS	
ITEMS	LOCATION
5075	JAMBS & HEADER
5060	JAMBS & HEADER
60FP (2 req.) 60FP (1 req.)	FRAME, LOWER CORNERS INACTIVE DOOR, LOWER
12T6 X STC-FH	DOOR SHOE WITH STC FASTENER HOLES
5060	INACTIVE DOOR, 2 ROWS
8144S	THRESHOLD (OPTIONAL)

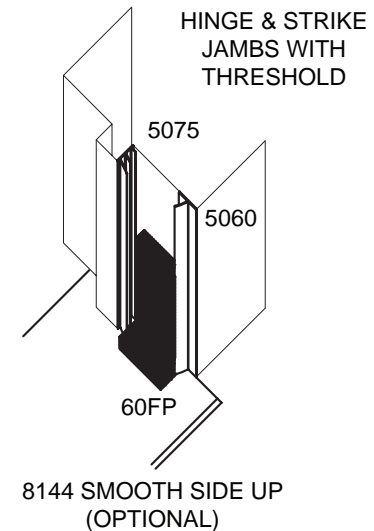
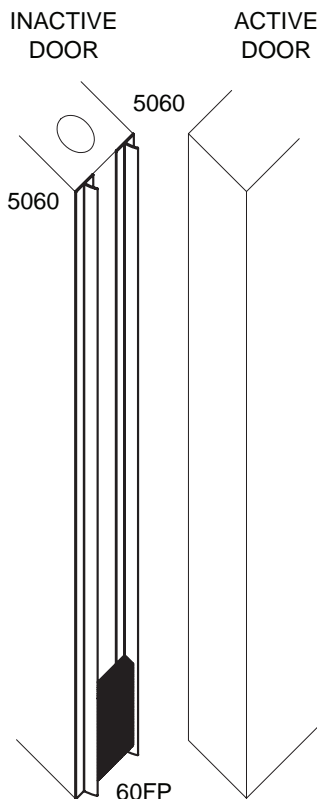


TOP OF FRAME
HEADER / JAMB AND DOOR



CAN BE USED WITH
OR WITHOUT BOTTOM
FLUSH BOLT

MEETING EDGE



BOTTOM OF DOORS
THRESHOLD AND FLOOR

NGP STC SEAL SET #9 FOR USE WITH PAIRS OF DOORS STC 45 AND BELOW

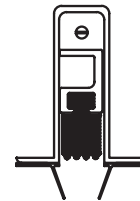
LIST OF MATERIALS	
ITEMS	LOCATION
5075	JAMBS & HEADER
5060	JAMBS & HEADER
60FP (2 req.) 60FP (1 req.)	FRAME, LOWER CORNERS INACTIVE DOOR, LOWER
335S X STC2-PR	DOOR, MORTISE ADB WITH STC2 & FLANGE SEAL
5060	INACTIVE DOOR, 2 ROWS
8144S	THRESHOLD (OPTIONAL)



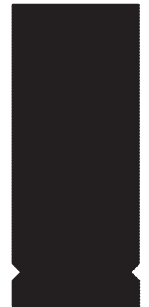
5075



5060



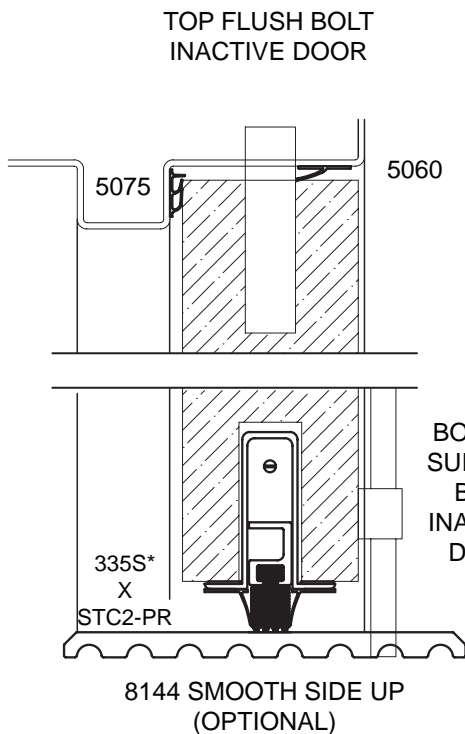
335S X STC2-PR



60FP

TOP OF FRAME

HEADER / JAMB AND DOOR



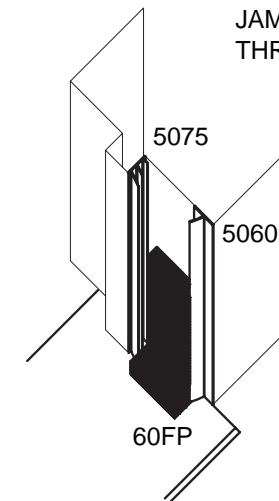
MEETING EDGE

INACTIVE DOOR ACTIVE DOOR



8144 SMOOTH SIDE UP

HINGE & STRIKE
JAMBS WITH
THRESHOLD



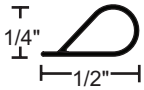
8144 SMOOTH SIDE UP
(OPTIONAL)

BOTTOM OF DOORS

THRESHOLD AND FLOOR

*For best acoustic results a 1/4" drop is recommended; 3/8" drop maximum

Self-Adhesive Silicone Gasketing



- 5050B** Brown
- 5050C** Charcoal
- 5050W** White
- 5050T** Tan
- 5050CL** Clear

Available in 17', 20', 21', 25' and 300' rolls.

Silicone Bulb Fire and Smoke Seal



Edge Sealing System - Category "G" for 20 minute rated category B wood doors perimeter application up to:

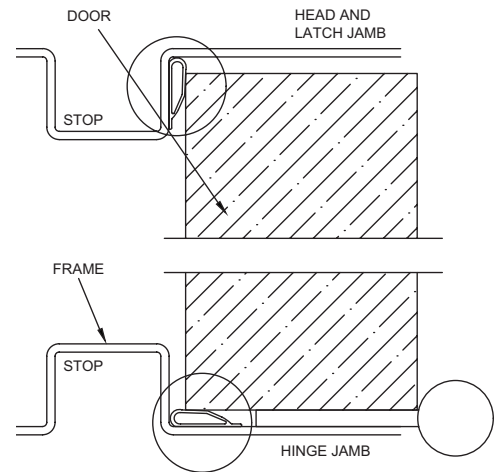
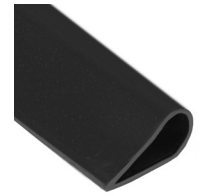
single swing 4'0 x 8'0
 pairs 8'0 x 8'0
 use 9550 at the meeting edge of pairs



Smoke and Draft Control - Category "H"
 Up to 3 hours Hollow Metal fire doors
 Up to 90 minutes Wood fire doors



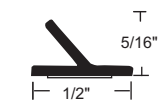
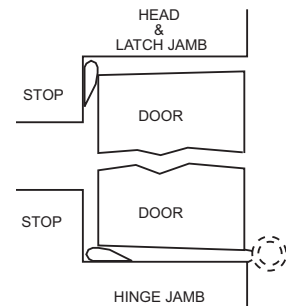
Meets requirements of RoHS Directive



- 2525B** Brown
- 2525C** Charcoal
- 2525W** White

Silicone Bulb Smoke Seal

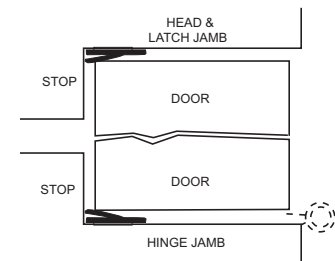
Available in 17', 20', 21', 25' and 300' rolls.



- 5060B** Brown
- 5060C** Charcoal
- 5060CL** Clear

Silicone Fin Smoke Seal

Available in 17' and 21' rolls.

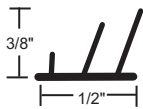


Adhesive specifications: Modified acrylic pressure sensitive adhesive protected by release liner. Provides high initial adhesion and long term holding power for permanent mounting in exterior or interior locations. Resistant to aging, weathering, UV radiation, water, detergent, alcohol and the influence of chemicals. End use temperature range, long term exposure -30°F up to 250°F. Shelf life of adhesive prior to installation is one year when stored at 75°F and 50% relative humidity or less.

Self-Adhesive TPE Gasketing

Properties:

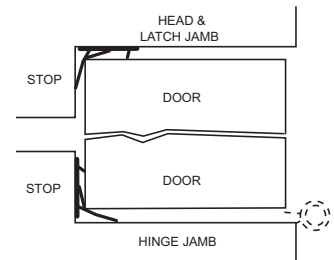
- Thermo-Plastic Elastomer (TPE)
- Good abrasion resistance
- Moisture resistant
- BHMA certified to ANSI/BHMA A156.22 performance tests for heat, cold, air infiltration and smoke infiltration
- Rigid base with flexible elastomeric fins
- Flame resistant
- Temperature range -60°F to 275°F
- Anti-microbial: treated with an anti-microbial additive to inhibit the growth of microorganisms
- REACH and RoHS compliant



5075B Brown
5075C Charcoal
5075CL Clear



Available in 36", 48", 72", 84", 96" and 108" lengths



Adhesive specifications: Modified acrylic pressure sensitive adhesive protected by release liner. Provides high initial adhesion and long term holding power for permanent mounting in exterior or interior locations. Resistant to aging, weathering, UV radiation, water, detergent, alcohol and the influence of chemicals. End use temperature range, long term exposure -30°F up to 250°F. Shelf life of adhesive prior to installation is one year when stored at 75°F and 50% relative humidity or less.

Acoustical Door Shoe

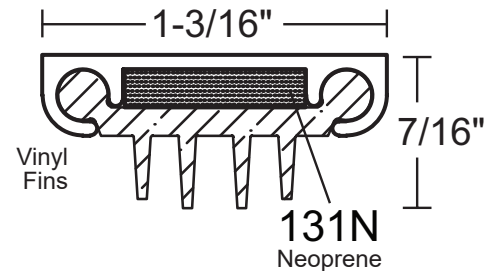
Aluminum alloy 6063, T5 temper
 Thermoplastic polymer: Polyvinyl Chloride formulated with an environmentally friendly Bio-based plasticizer

- Economical
- Flame resistant
- Moisture resistant
- Temperature range 0°F to 140°F
- Oxidative degradation from age and exposure to cold, heat and UV causes hardening, loss of memory and resilience, cracking, crazing and discoloration
- #6 x 3/4" stainless steel SMS furnished
- Screw holes slotted for adjustment



MATERIALS & FINISHES
no suffix - mill aluminum
DKB - dark bronze

vinyl is gray



STC Rated Acoustical Foam Pad

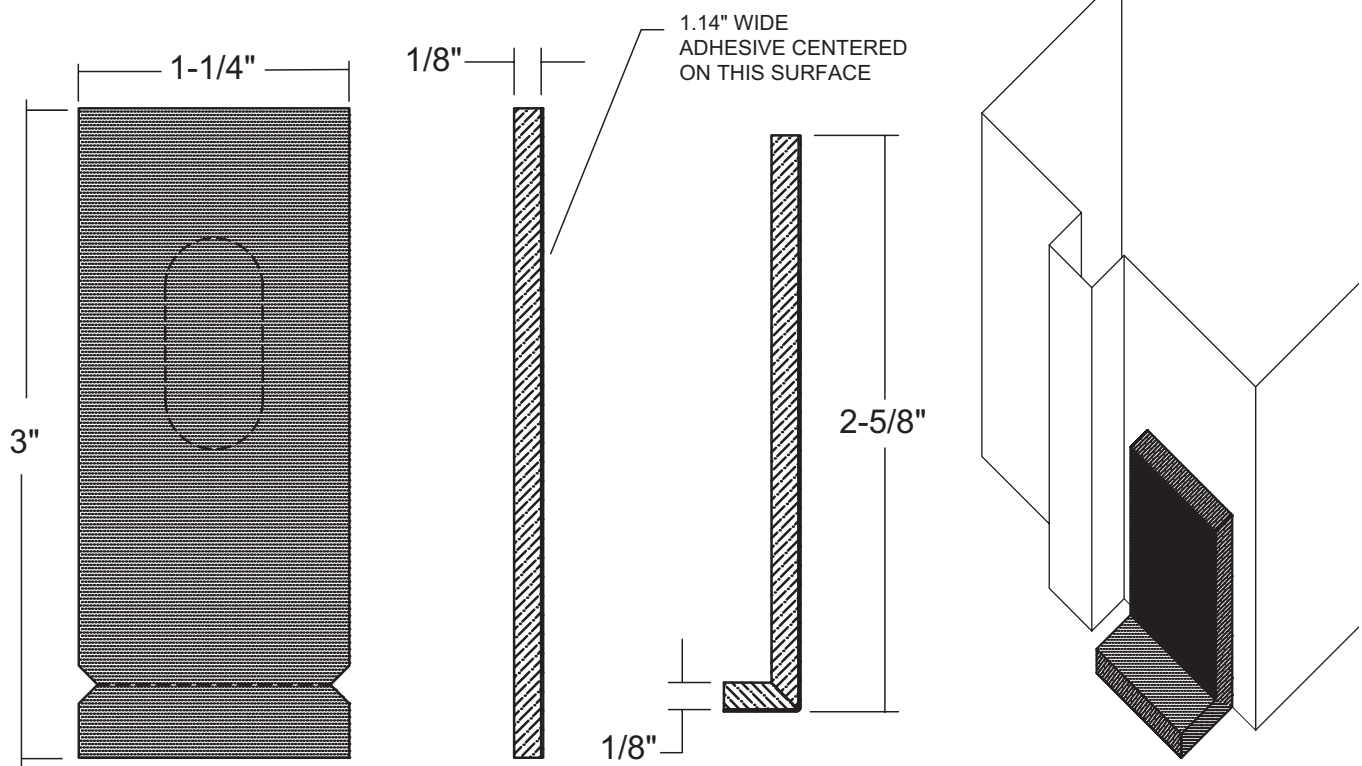
Foam seal self adhesive

- Helps acoustics and seals at corner gap
- Apply to jambs on hinge and strike side
- Color is black

312V X 131N
 312VDKB X 131N



60FP  STC 45



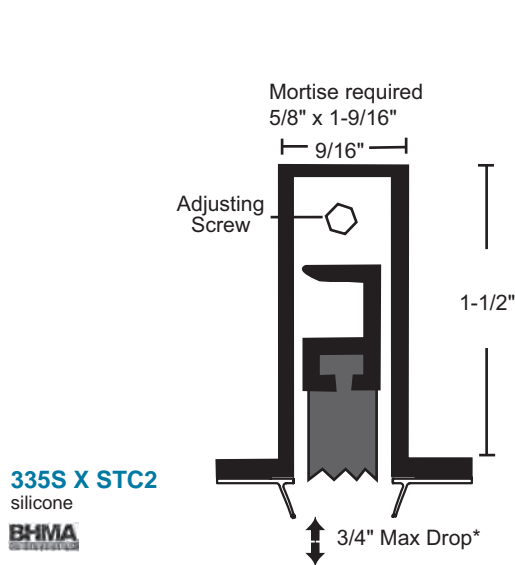
Automatic Door Bottoms - Mortise

- Use with a threshold for maximum sealing capability
- Specify exact net length required to avoid field sizing
- 36" and longer may be cut up to 4" in the field, under 36" should not be cut in the field, order net length
- End caps furnished standard
- Furnished 1/2" shorter than ordered to fit within net door size. (i.e. 36" is furnished 35-1/2").

All products this page



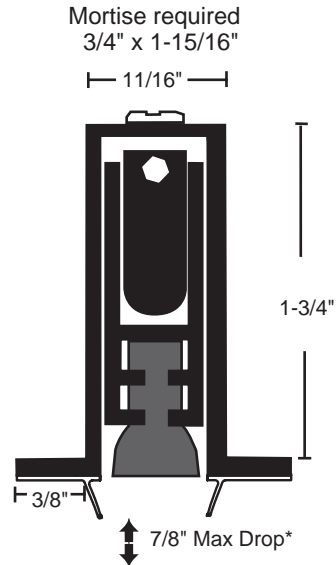
Silicone is gray



335S X STC2
silicone



Available 23-1/4" net to 48" in length
Fits wood fire door mortise restrictions



225S X STC2
silicone



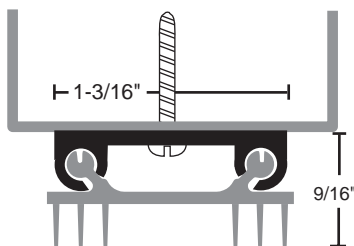
Available 11" to 60" in length
Available with lead insert for radiation shield - specify "lead-lined"

*For best acoustic results a 1/4" drop is recommended, 3/8" drop maximum.

Thermoplastic Door Shoes

Thermoplastic polymer seal with rigid base and soft vinyl fins.

12T6
12T6DKB



Material Finishes:

A - anodized aluminum

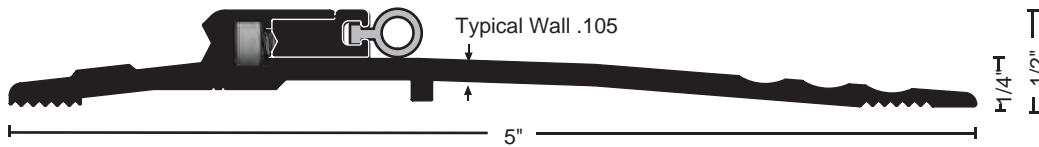
DKB - dark bronze

no suffix = mill aluminum
thermoplastic is dark brown

#6 x 3/4" stainless steel
SMS furnished

Adjustable ADA Compliant Bumper Seal Threshold

- Stainless steel adjustment screws on 10" centers allow adjustment without re-positioning mounting location.
- Adjusting range 1/4"



896-ADJ .78 lbs./ft.



MATERIALS & FINISHES

- Aluminum mill finish



- Optional: Slip Resistant SIA Finish

FASTENERS

#10 x 1-1/2" FH zinc plated wood screws furnished.



BUMPER SEAL

Seals against the door providing weather resistance

Vinyl ("V") supplied unless other material specified

Options:

NGP-TPV ("N")

Silicone ("S")  STC 52

Thresholds



8144S 1.00 lbs./ft 8144SDKB 1.00 lbs./ft



MATERIALS & FINISHES

- Aluminum mill finish
- DKB - Aluminum dark bronze finish



- Optional: Slip Resistant SIA Finish

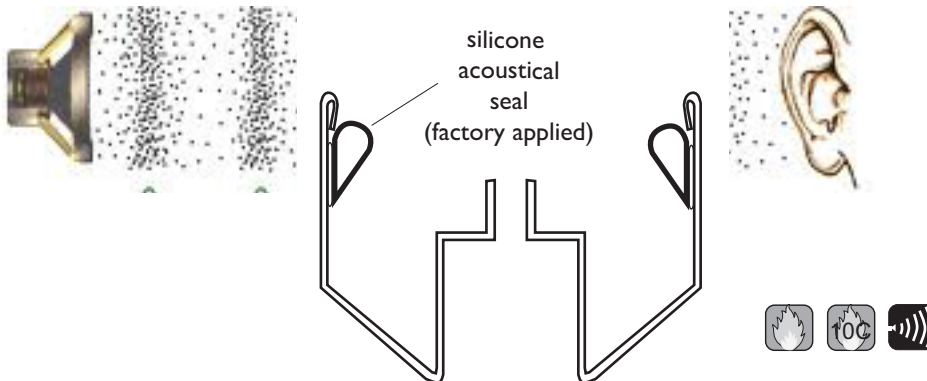
FASTENERS

#10 x 1-1/2" FH zinc plated wood screws furnished. Dark bronze supplied with DKB thresholds.

L-FRA100 STC & L-FRA100-SP STC

Low Profile Sound Rated Lite Kit Option - Suffix "STC"

Silicone acoustical seal applied to reduce sound transmission



Acoustical Testing performed at Intertek Testing, Inc. to:

ASTM E 90, *Standard Test Method for Laboratory Measurement of Airborne Sound Transmission Loss of Building Partitions and Elements.*

ASTM E 413, *Classification for Rating Sound Insulation.*

ASTM E 1332, *Standard Classification for Rating Outdoor-Indoor Sound Attenuation.*

ASTM E 2235, *Standard Test Method for Determination of Decay Rates for Use in Sound Insulation Test Methods.*

STC Ratings:

• Protect3™	STC 28
• TEMP20™	STC 28
• Wired	STC 28
• Polycarbonate 1/4"	STC 29
• Pyran Platinum F	STC 31
• Tempered 1/4"	STC 31
• Polycarbonate 1/2"	STC 34
• Insulated Tempered 1"	STC 35
• Laminated 1/4"	STC 35
• Pyran Platinum L	STC 36
• Insulated Laminated 1"	STC 42