

WIGEON - The American wigeon is a smallish duck that prefers open wetlands and marshes with tall vegetation. A dabbling duck, the wigeon is known to slyly take vegetation and other foods brought to the surface by other ducks. Flocks of wigeons are very wary and rise straight up out of the water to take flight when disturbed.



HOSPITALITY

Hospitality Product Index:

Page


Adhesive Smoke Seal	H4
Door Shoes	H4-H5
Security Door Guard	H6
Security Door Guard Bracket	H7
Vinyl Thresholds	H2-H3





Numerical Index:


SDG-3	H6	99T	H5
SDG-4	H6	319ET	H5
SDG-10B	H6	344	H4
SDG-26	H6	344C	H4
SDG-26D	H6	344CNF	H4
SDG-BRKT-WB	H7	344NF	H4
SDG-BRKT-MW	H7	398	H2
SDG-DS	H6	399	H2
SDG-ET	H6	400	H3
SDG-HO	H6	401	H2
SDG-WS	H6	402X400X400X402	H3
12T	H5	402X400X402	H3
13T	H5	402	H2
35ET	H5	407	H2
36ET	H5	5075	H4
92T	H5		


Rating Symbols Legend


- 


ADA COMPLIANT Barrier Free Thresholds meet the requirements of ADA Standards for Accessible Design and ICC/ANSI A117.1 Accessible and Usable Buildings and Facilities.
- 


POSITIVE PRESSURE - CERTIFIED by UL to ANSI/UL10C; complies with IBC, NFPA 80 and NFPA 252 for application to Hollow Metal fire doors rated up to 3 Hrs., and Wood fire doors rated up to 90 minutes.
- 


CERTIFIED by UL to CAN/ULC-S104 and ANSI/UL10B; complies with NFPA 80 and NFPA 252 for application to Hollow Metal fire doors rated up to 3 Hrs., and Wood fire doors rated up to 90 minutes.
- 

SMOKE & DRAFT CONTROL GASKETING, Classified by UL to ANSI/UL10C and ANSI/UL1784 Category 'H'; complies with IBC and NFPA 105 for use on 'S' labeled Positive Pressure Hollow Metal fire doors rated up to 3 hours, and wood fire doors rated up to 90 minutes.
- 

ACOUSTICAL TESTED to ASTM E90 Standard Test Method for Laboratory Measurement of Airborne Sound Transmission Loss of Building Partitions and Elements, and ASTM E2235 Standard Test Method for Determination of Decay Rates for use in Sound Insulation Test Methods. Refer to information on pages G4 and G5 for test result data.
- 

AIR INFILTRATION TESTED to ASTM E283, Standard Test Method for Determining Rate of Air Leakage Through Exterior Windows, Curtain Walls, and Doors.
- 

ANTI-MICROBIAL. Treated with an anti-microbial additive to inhibit the growth of microorganisms.
- 

ANSI/BHMA CERTIFIED Certified products comply with American National Standard for Thresholds ANSI/BHMA A156.21 or Door Gasketing and Edge Seal Systems ANSI/BHMA A156.22, and are listed in the BHMA Certified Products Directory.
- 

Online product listings: www.ul.com/database



Vinyl Thresholds

For transition between two different carpets or carpet to tile.
Easy to install using adhesive like NGP RR5007BL, Black RTV silicone rubber construction sealant. Each tube bonds 4' of 398 or 399, 8' of 401, 12' of 402, or 15' of 407.

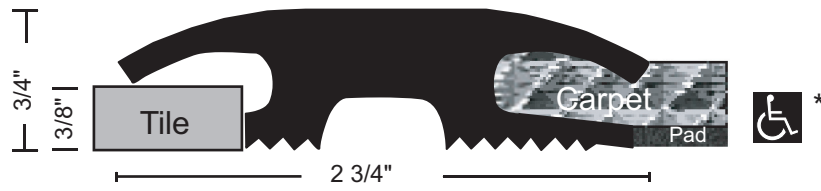
Carpet/Tile Divider Thresholds

All products this page

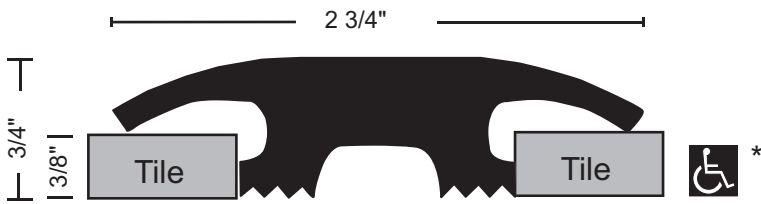


401 Black Vinyl max length = 73"

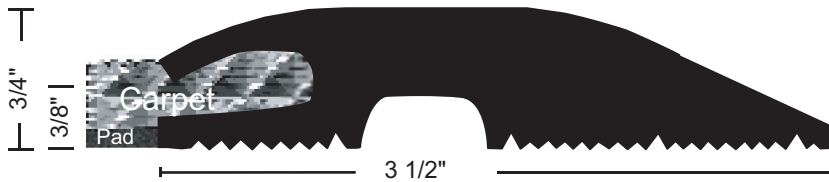
* when installed as illustrated between carpet and/or tile



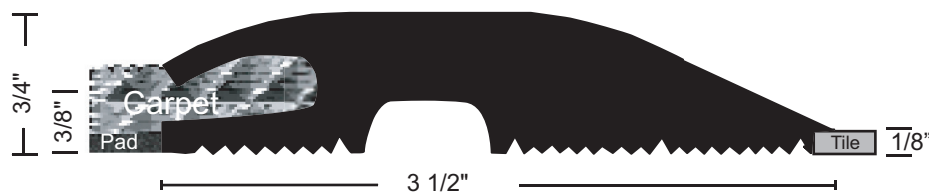
402 Black Vinyl max length = 73"



407 Black Vinyl max length = 73"



398 Black Vinyl max length = 73"



399 Black Vinyl max length = 73"

Vinyl Thresholds

For transition between two different carpets or carpet to tile.
Easy to install using adhesive like NGP RR5007BL, Black RTV silicone rubber construction sealant. Each tube bonds 12' of 402 or 8' of 400

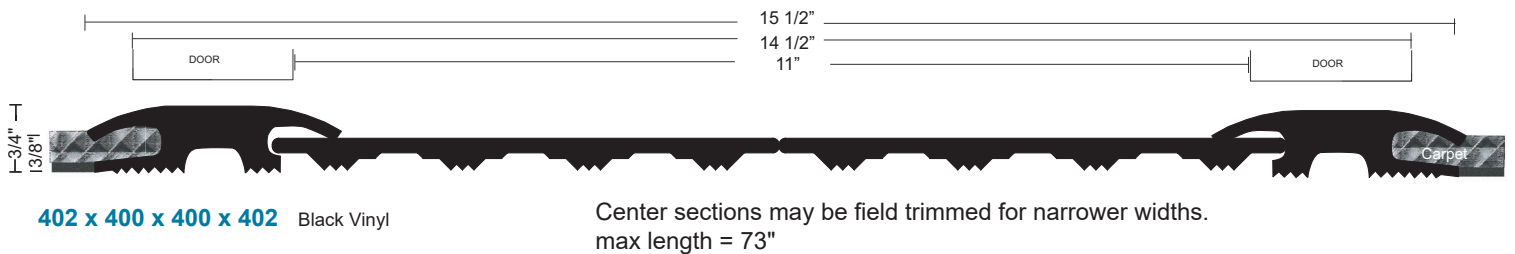
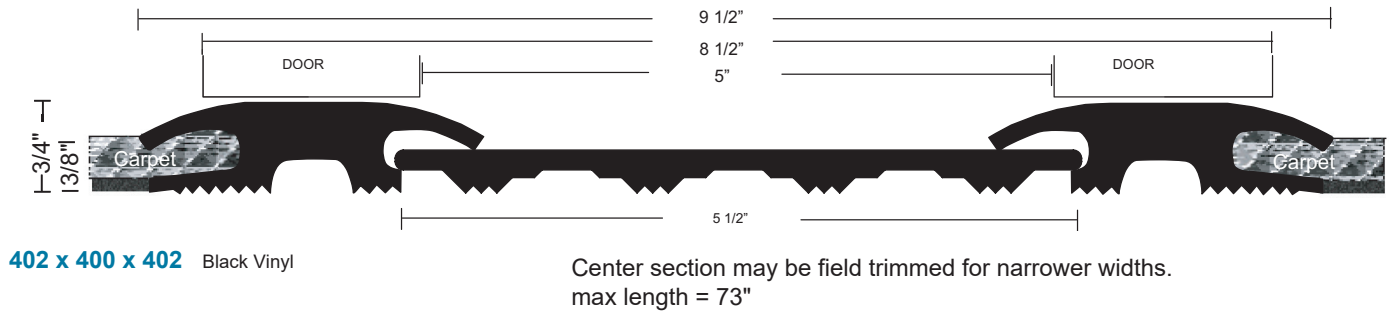
All products this page



* when installed as illustrated between carpet and/or tile



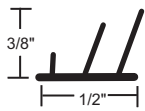
Communicating Door Thresholds



TPE Triple Fin Smoke Seal

Properties:

- Thermo-Plastic Elastomer (TPE)
- Good abrasion resistance
- Moisture resistant
- BHMA certified to ANSI/BHMA A156.22 performance tests for heat, cold, air infiltration and energy performance
- Adhesive specifications shown on page G9
- Rigid base with flexible elastomeric fins
- Flame resistant
- Temperature range -60°F to 275°F
- Anti-microbial: treated with an anti-microbial additive to inhibit the growth of microorganisms
- REACH and RoHS compliant

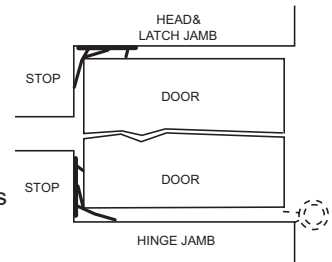


5075B Brown
5075C Charcoal
5075CL Clear
5075W White

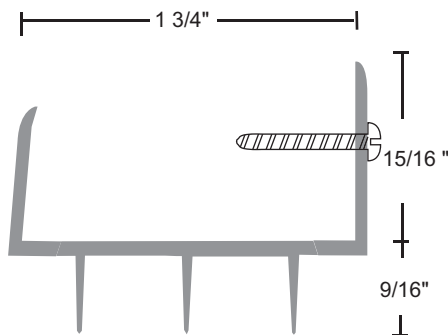


*Anti-microbial not available in clear

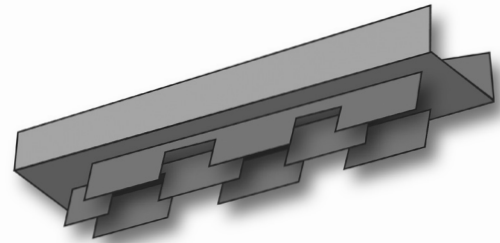
Available in 36", 48", 72", 84", 96" and 108" lengths



Thermoplastic Door Shoe with Soft Vinyl Fins



344-36" Dark Brown
344-48"
344C-36" Black



Available with Notched Fins "NF" to allow air flow while restricting light infiltration.

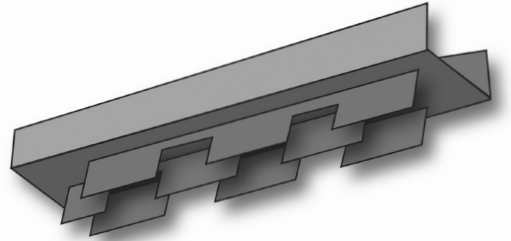
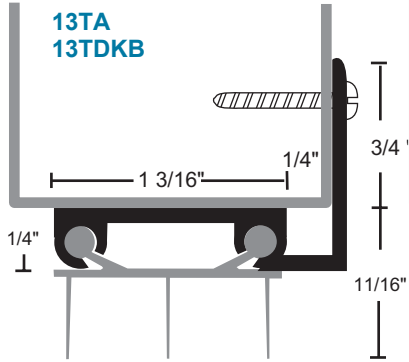
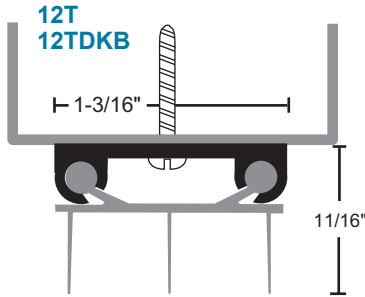
344CNF-36" Black
344NF-36" Dark Brown
344NF-48"



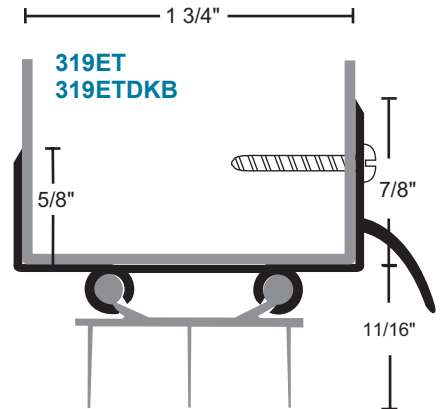
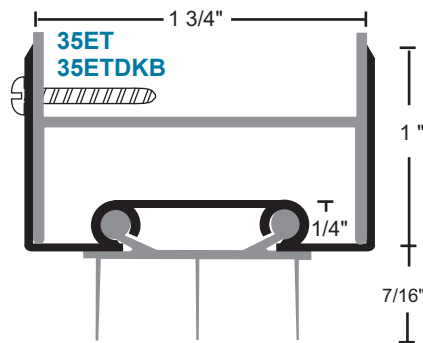
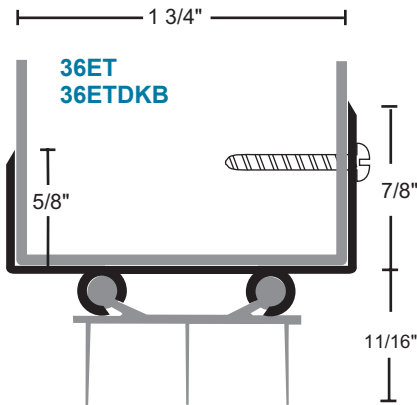
Thermoplastic Door Shoes

Thermoplastic polymer seal features rigid base and soft vinyl fins.
Available with Notched Fins to allow air flow while restricting light, suffix NF.
48" maximum length

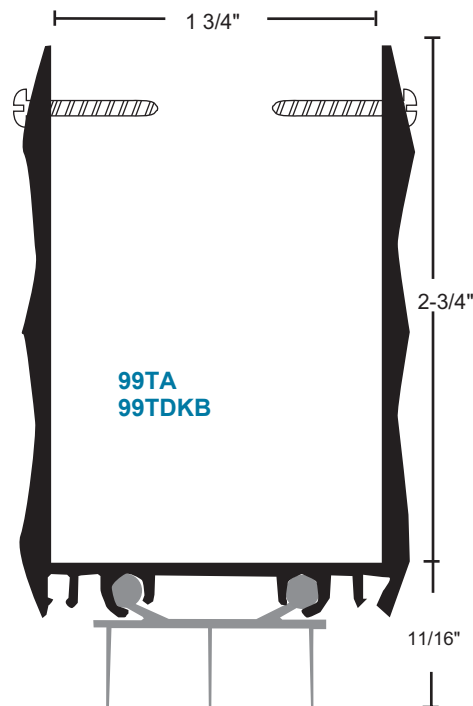
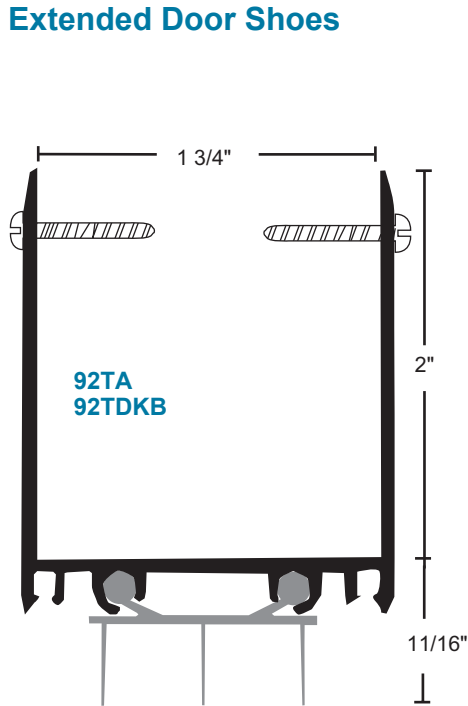
All products this page



Option: Notched Fins - suffix NF.



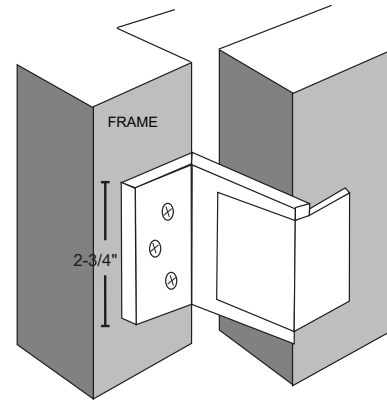
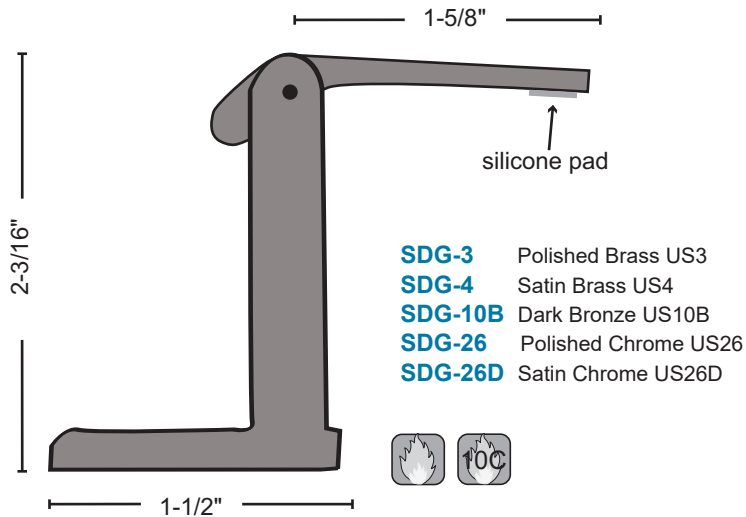
Extended Door Shoes



Material Finishes:
A - clear anodized
DKB - dark bronze
no suffix - mill aluminum
thermoplastic is dark brown

Security Door Guard

- Prevents door from opening, allowing guest or resident privacy when engaged
- Disengage to operate door normally
- Can not be used to prop door open
- Silicone pad at door contact point
- UL listed fire door accessory
- Mount 48" or less above floor for ADA compliance

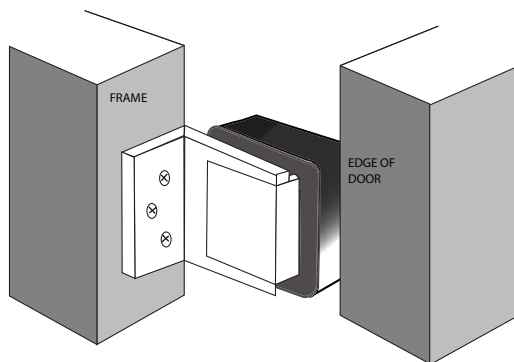


Hold-Open Accessory



SDG-HO

- Foam rubber block with slot
- Slides onto Security Door Guard allowing the door to be held open by housekeeping or service personnel
- Will not mark or mar door or security door guard



Stickers for Retrofit

- Covers holes left in door and frame from removal of swing-bar type door guards



SDG-DS

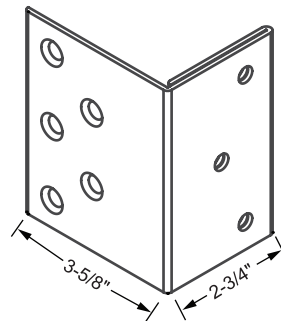
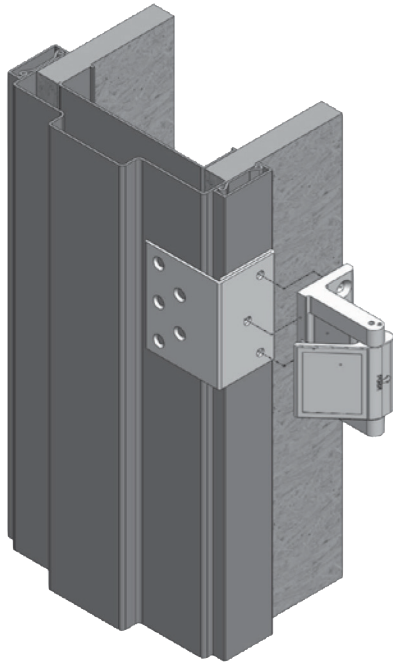
SDG-WS

SDG-ET Emergency Tool (not illustrated)

- Used to deactivate security door guard for emergency access

Security Door Guard Bracket

- Designed for Timely or Redi-Frame pre-finished steel doorframes with snap on trim
- Bracket allows SDG to be installed in the correct position for proper operation



SDG-BRKT-MW Magnolia White
SDG-BRKT-WB Walnut Brown



Page
Intentionally
Blank