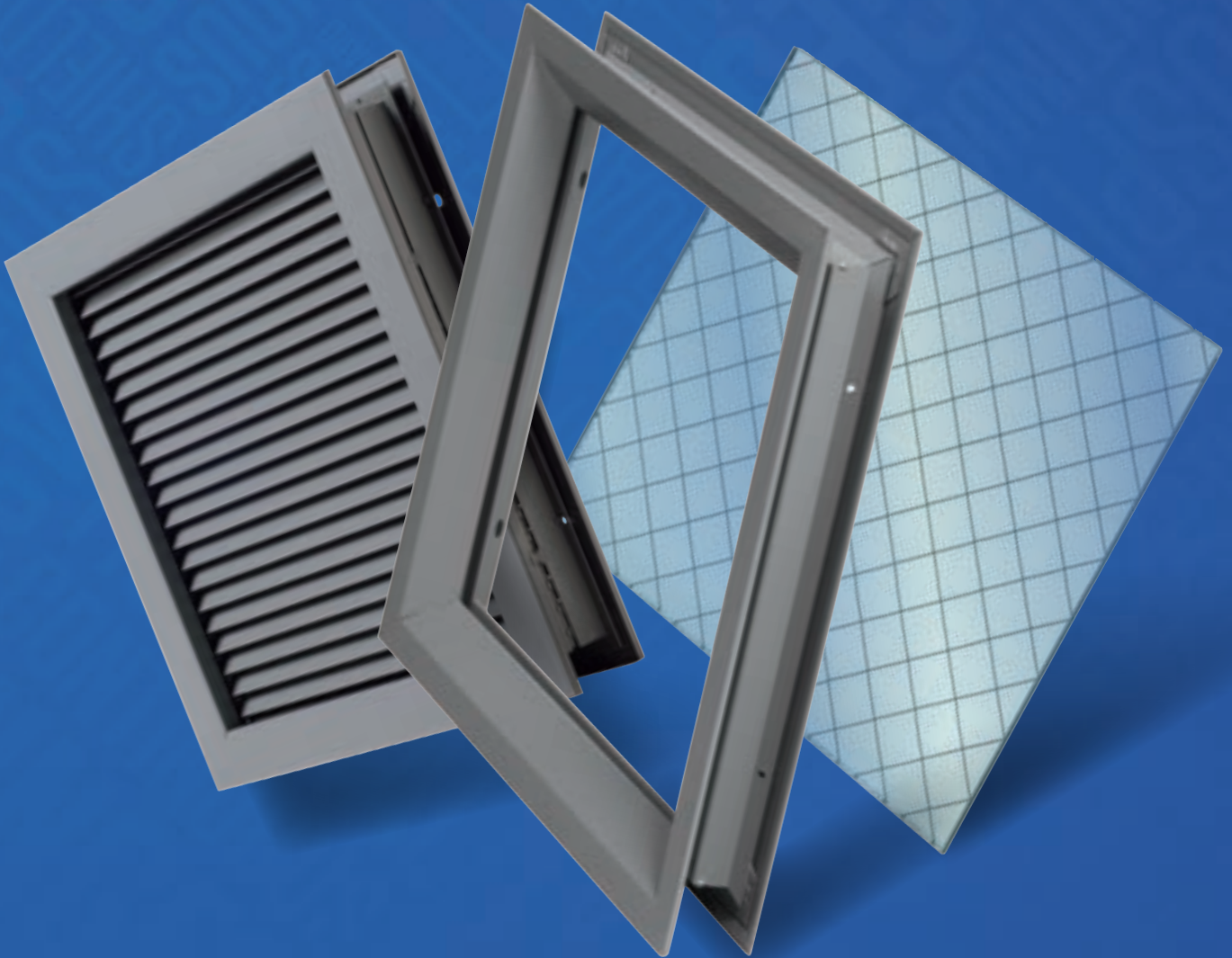




— AND —  
**Anemostat**  
DOOR PRODUCTS

# LITES

LITE KITS,  
LOUVERS & GLASS





## LITE KITS, LOUVERS & GLASS INDEX:

### LITE KITS

False Mullion	L13
Low Profile	L5-L11, L29
Round	L35-L37
Security	L23-L28, L30-34
Security Grille	L17-L19
Sound-Rated	L6
Square Profile	L12-L15
Stainless Steel	L20-L22
Thru-Bolted	L16, L18-L19, L23, L27-L28

### GLASS

Fire-Protective Safety	L38-L42
Glass with Integrated Mini Blinds	L46
Glazing Tape	L45
Insulated Tempered	L43
Laminated	L44
Polycarbonate High Impact	L44
Specialty Glass	L47
Tempered	L43

### LOUVERS

Adjustable Blade Louver	L55
Aluminum	L53
Fire-Rated	L54, L58-L59
Security Grille	L56-L61
Steel	L48-L52

## NUMERICAL INDEX:

Model	Lite Kits	Page	Model	Glass	Page
BR-7	Thru-Bolted Security Lite Kit	L28	Fire-Protective Wired		L42
L-CVFM-SS	Stainless Steel Lite Kit	L20	Glazing Tape		L45
L-CVFM-SS-SP	Stainless Steel Special Glass or Door Thickness	L21-L22	Laminated		L44
L-FRA100	Low Profile Lite Kit	L5	L-Mini Blinds™ IGU		L46
L-FRA100-RD	Round Lite Kit	L35	Polycarbonate High Impact		L44
L-FRA100-SP	Low Profile Special Glass or Door Thickness	L8-L9	Protect3™	Fire-Protective Safety-Wired	L38
L-FRA100-STC	Low Profile Sound-Rated Lite Kit	L6	Pyran® Platinum F	Fire-Protective Safety Ceramic	L39
L-FRA100-SP-STC	Low Profile Sound-Rated Lite Kit Special Glass or Door Thickness	L6	Pyran® Platinum L	Fire-Protective Safety Ceramic	L40
L-GLF100	Square Profile Lite Kit	L12	Specialty Glass		L47
L-GLF100-SP	Square Profile Special Glass or Door Thickness	L14-L15	Tempered		L43
L-GLF100-SP-TB	Square Profile Thru-Bolted Special Glass or Door Thickness	L16	Insulated Tempered 20T™	20-Minute Fire-Protective	L41
L-GLF100-TB	Thru-Bolted Lite Kit	L16	<b>Model</b>	<b>Louvers</b>	<b>Page</b>
Lo-FP	Round Lite Kit	L36	AFDL	No Vision Door Louver	L48
Lo-FP-IS	Round Lite Kit	L37	DSFP	Security Grille Face Plate	L60
Lo-Pro™	Low Profile Lite Kit	L7	DSFP-316SS	Type 316 Stainless Steel Security Grille Face Plate	L60
Lo-Pro™-IS	Low Profile Special Glass or Door Thickness	L10-L11	DSFP-PERF	Security Grille Face Plate	L61
Lo-Pro-SSD	Low Profile Lite Kit with Security Sliding Door	L26	FDLS	Inverted Split Y No Vision Door Louver	L49
L-SG100	Security Grille	L17, L19	FDLS-316SS	Type 316 Stainless Steel Inverted Split Y No Vision Door Louver	L52
L-SG100-TB	Thru-Bolted Security Grille	L18-L19	FLDL	Fire-Rated Fusible Link Louver	L54
L-VGLF-MD, MDL	Security Grille With Privacy Panel	L32	FLDL-316SS	Type 316 Stainless Steel Fire-Rated Fusible Link Louver	L54
L-VGLF-OG	Security Glass With Privacy Panel	L33	FLDL-SG1	STORM PRO™ Fire-Rated Fusible Link Louver	L58
L-VGLF-PZ	Security Glass	L31	FLDL-SG1-316SS	STORM PRO™ Type 316 Stainless Steel Fire-Rated Fusible Link Louver	L58
L-VGLF-SF	Security Grille With Privacy Panel	L34	FLDL-SG2	STORM PRO™ Fire-Rated Fusible Link Louver	L59
L-VGLF-WD	Security Glass With Privacy Panel	L30	FLDL-SG2-316SS	STORM PRO™ Type 316 Stainless Steel Fire-Rated Fusible Link Louver	L59
Options: G2-G24	False Mullion Lite Kits	L13	L-A700-A, B, BF, C	Aluminum No Vision Door and Partition Louver	L53
SG-10	Thru-Bolted Security Lite Kit	L23-L24	L-700-A, B, BF, C	Steel No Vision Door and Partition Louver	L50
SG-10-316SS	Type 316 Stainless Steel Thru-Bolted Security Lite Kit	L23-L24	L-700-A-316SS	Type 316 Stainless Steel No Vision Door Louver	L51
SG-10-SSD	Thru-Bolted Security Lite Kit With Security Sliding Door	L27	L-700-RX	No Vision Door Louver	L48
SG-10-SSD-316SS	Type 316 Stainless Steel Thru-Bolted Security Lite Kit With Security Sliding Door	L27	L-700-RX-316SS	Type 316 Stainless Steel No Vision Door Louver	L51
SSD	Security Sliding Door for Vision Lite Kit	L25	L-1800	Adjustable Blade Louver	L55
SSD-316SS	Type 316 Stainless Steel Security Sliding Door for Vision Lite Kit	L25	L-1900	Fire-Rated Fusible Link Louver	L54
STORM-PRO-HR	Low Profile Hurricane Rated Lite Kit	L29	L-VRSG-2	Vandal Resistant Security Louver	L57
STORM-PRO-HR-316SS	Type 316 Stainless Steel Low Profile Hurricane Rated Lite Kit	L29	L-VRSG-3	Vandal Resistant Security Louver (Both Sides)	L57
			L-Clips	H.M. Door Reinforcement	L62
			Fasteners for Lites and Louvers		L62
			PLSL	STORM PRO™ Inverted Split Y Security Door Louver	L56
			PLSL-316SS	STORM PRO™ Type 316 Stainless Steel Inverted Split Y Security Door Louver	L56

# TECHNICAL INFORMATION

## RATINGS AND LEED

---



**POSITIVE PRESSURE - CERTIFIED by UL to ANSI/UL10C.** Complies with IBC, NFPA 80 and NFPA 252 for application to hollow metal fire doors rated up to 3 hours and wood fire doors rated up to 90 minutes.



**CERTIFIED by UL to CAN/ULC-S104 and ANSI/UL10B,** complies with NFPA 80 and NFPA 252 for application to hollow metal fire doors rated up to 3 hours and wood fire doors rated up to 90 minutes.



**Tested to British Standard BS476.22;** Timber doors 30 minutes and 1 hour, steel doors 2 hours (4 hours actual)

## LITE KIT TECHNICAL INFORMATION

**Fire-Rated Lite Kits:** Lite Kits installed in fire-rated doors require fire-rated glass and glazing tape.

**Impact Safety-Rated Glass Requirements:** IBC requires all individual glazed areas in swinging doors to be impact safety-rated to comply with the CPSC 16CFR 1201 Category I or II.

**Accessibility Standard Compliance:** ADA Standards for Accessible Design requires that the bottom of the glass panel in a vision lite be located 43" maximum above the floor. An exception is made for vision lites with the lowest part more than 66" above the floor, which are not required to comply.

## LOUVER TECHNICAL INFORMATION

Steel louvers over 46" wide and aluminum louvers over 36" wide must be furnished as two louver cores. Wider louvers for transom applications require two louvers installed side by side.

## LEED GREEN BUILDING

The LEED (Leadership in Energy and Environmental Design) Green Building Rating System® is a national standard for developing high-performance, sustainable buildings developed by the U. S. Green Building Council. Our current LEED letter containing LEED qualification information for all our products is available at [ngp.com](http://ngp.com).

Environmental Product Declarations (EPD) prepared and certified by an Independent Laboratory based on Life Cycle Assessments (LCA) of our products may be viewed on our website [ngp.com](http://ngp.com).

Health Product Declarations (HPD) may be viewed on our website [ngp.com](http://ngp.com).

National Guard Products sustainability report may be viewed on our website [ngp.com](http://ngp.com).

Contact us regarding our end of use product recycling program.

# TECHNICAL INFORMATION

## POWDER COAT CHART

---

Colors may have a slight variation on your monitor or printer.  
Contact NGP to have color samples mailed to you.

---

### STANDARD COLORS



GPZ-Gray Primer



T-Tan



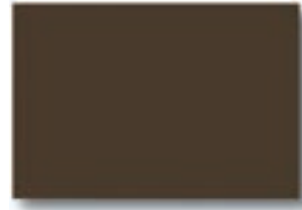
BPR-Beige Primer  
(matches Steelcraft)



DKB-Dark Bronze

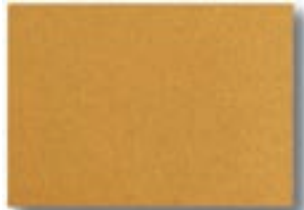


PTY-Putty  
(matches Anemostat Beige)

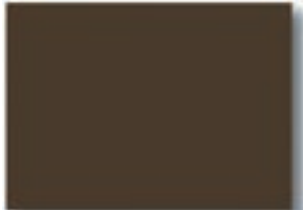


CAB-California Bronze  
(matches Anemostat)

### OPTIONAL COLORS



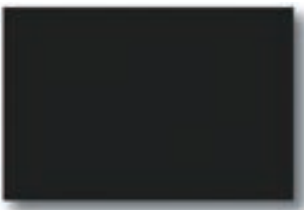
B-Brass



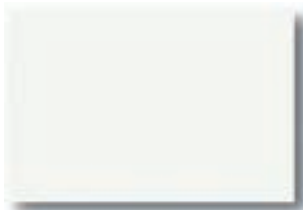
WB-Walnut Brown  
(matches Timely Browntone)



ASL-Aluminum Silver  
(metallic)



TBL-Textured Black  
GBL-Gloss Black  
MBL-Matte Black



MW-Magnolia White  
(matches Timely Western White)



W-White

# TECHNICAL INFORMATION

## MATERIALS

---

Lite Kits are available in Cold Rolled Steel, Galvanneal Steel, and Stainless Steel.

Louvers are available in Cold Rolled Steel, Galvanneal Steel, and Aluminum Alloy 6063-T5.

**Corrosion Resistant Sealer:** A polymeric green seal (non-chrome) corrosion resistance extender is applied under all NGP powder coat finishes. Laboratory salt spray tests prove a dramatic increase in corrosion resistance on steel products with this sealer applied to the metal prior to the powder coat finish.

**Salt Spray Test Results:** Steel lite kits with NGP's corrosion resistant sealer and powder coat finish withstood 1,248 hours without failing. This is 2½ times longer than the protection provided by powder coating only.

## ZINC ELECTROPLATING

Available on steel lite kits and louvers for extra corrosion resistance; recommended for exterior, wet areas, and coastal salt air locations. Zinc electroplating will be applied under the powder coat finish. Specify on order "Zinc EL-Plate" and powder coat color desired. Not available on insect screen.

## HOW TO ORDER EXAMPLE

Quantity	Model#	Finish	Cutout Size (width x height)	Options
10	L-FRA100-SP	DKB	24" x 30"	for 1" Thick Glass

# BUY AMERICAN

## REQUIREMENTS

---

### Buy American Act

Over 99% of our products are produced in the United States as a domestic construction material, as defined in the Buy American Act (BAA) of March 1933 and amended by the Buy American Act of 1988 and FAR 52.225-9. A Buy American certificate may be obtained on our website [ngp.com](http://ngp.com).

### Buy America

Most of our products comply with Buy America Requirements of 49 U.S.C. 5323(j)(1), and the applicable regulations in 49 CFR part 661. Contact us for a Certificate of Compliance for your project.

Components of unknown origin are considered to have been produced or manufactured outside the United States.

### Build America, Buy America

Many of our products comply with the Infrastructure Investment and Jobs Act, Build America, Buy America requirements. Contact us for a Certificate of Compliance for your project.

# L-FRA100

## LOW PROFILE LITE KIT

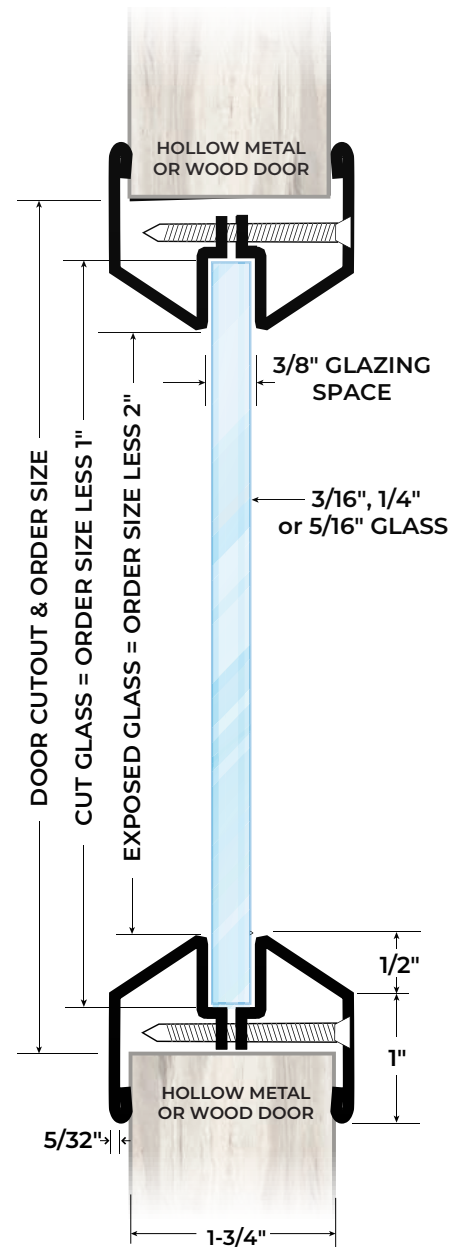


### FOR 1 3/4" THICK DOORS AND 3/16", 1/4" OR 5/16" GLASS

- ▶ 18 Ga. Cold Rolled Steel
- ▶ Mitered and Welded Corners
- ▶ Welded Reinforcing Clips at Corners
- ▶ Countersunk Mounting Screw-Holes
- ▶ #8 X 1 3/4" Phillips Head SMS
- ▶ Available in Uneven and Fractional Sizes
- ▶ Gray Primer (GPZ) Powder Coat Finish

#### Available Options

- ▶ Powder Coat Color Options - See Page L3
- ▶ Torx Security Screws
- ▶ Galvanneal - A40 Steel
- ▶ Zinc Electroplating
- ▶ Glass & Glazing Tape - See Glass Section
- ▶ Lead Lining - 1/16" Thick



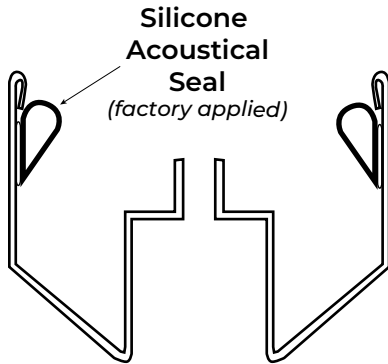
Not To Scale

Designed for Use on 1 3/4" Thick Doors Manufactured  
Within Door Industry Tolerance of +/- 1/16".

# L-FRA100 STC & L-FRA100-SP STC

LOW PROFILE SOUND-RATED LITE KIT OPTION - SUFFIX "STC"

## SILICONE ACOUSTICAL SEAL APPLIED TO REDUCE SOUND TRANSMISSION



### Acoustical Testing Performed at Intertek Testing, Inc. to:

- ASTM E 90* Standard Test Method for Laboratory Measurement of Airborne Sound Transmission Loss of Building Partitions and Elements.
- ASTM E 413* Classification for Rating Sound Insulation.
- ASTM E 1332* Standard Classification for Rating Outdoor-Indoor Sound Attenuation.
- ASTM E 2235* Standard Test Method for Determination of Decay Rates for Use in Sound Insulation Test Methods.

### STC Ratings:

Protect3™	STC 28
20T™	STC 28
Wired	STC 28
Polycarbonate ¼"	STC 29
Pyran® Platinum F	STC 31
Tempered ¼"	STC 31
Polycarbonate ½"	STC 34
Insulated Tempered 1"	STC 35
Laminated ¼"	STC 35
Pyran® Platinum L	STC 36
Insulated Laminated 1"	STC42

### FOR 1 3/4" THICK DOORS AND 3/16", 1/4" OR 5/16" GLASS

- ▶ 20 Ga. Cold Rolled Steel
- ▶ Mitered and Welded Corners
- ▶ Countersunk Mounting Screw-Holes
- ▶ #8 X 1 3/4" Phillips Head SMS
- ▶ Available in Uneven and Fractional Sizes
- ▶ Gray Primer (GPZ) Powder Coat Finish

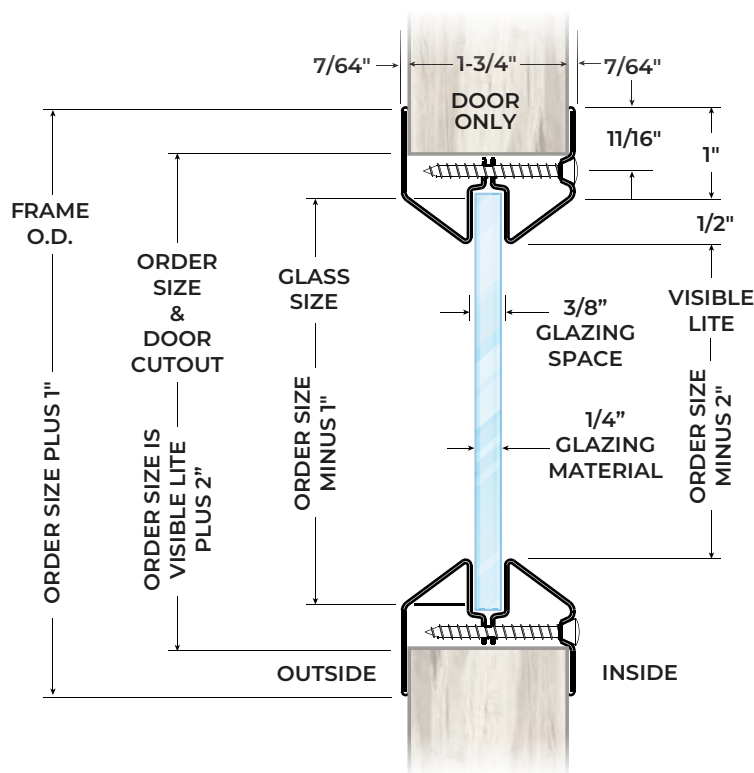
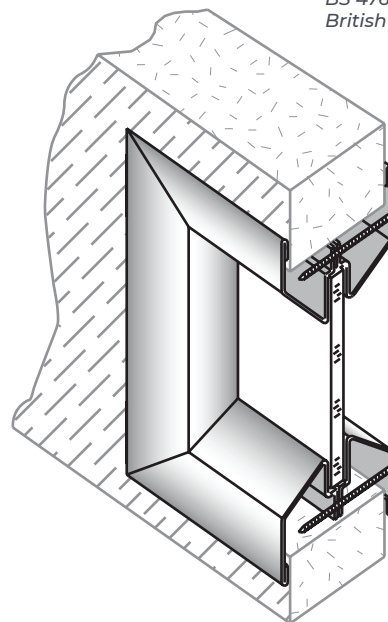
#### Available Options

- ▶ Powder Coat Color Options - See Page L3
- ▶ Torx Security Screws
- ▶ Electrogalvanized Steel
- ▶ Zinc Electroplating
- ▶ Glass & Glazing Tape - See Glass Section
- ▶ Lead Lining - 1/16" Thick

**Anemostat**  
DOOR PRODUCTS



EN-1634  
European Std.  
BS 476.22  
British Std.



Not To Scale

Designed for Use on 1 3/4" Thick Doors Manufactured Within Door Industry Tolerance of +/- 1/16".



# L-FRA100-SP

## LOW PROFILE LITE KIT



### FOR VARIABLE DOOR AND/OR GLASS THICKNESS

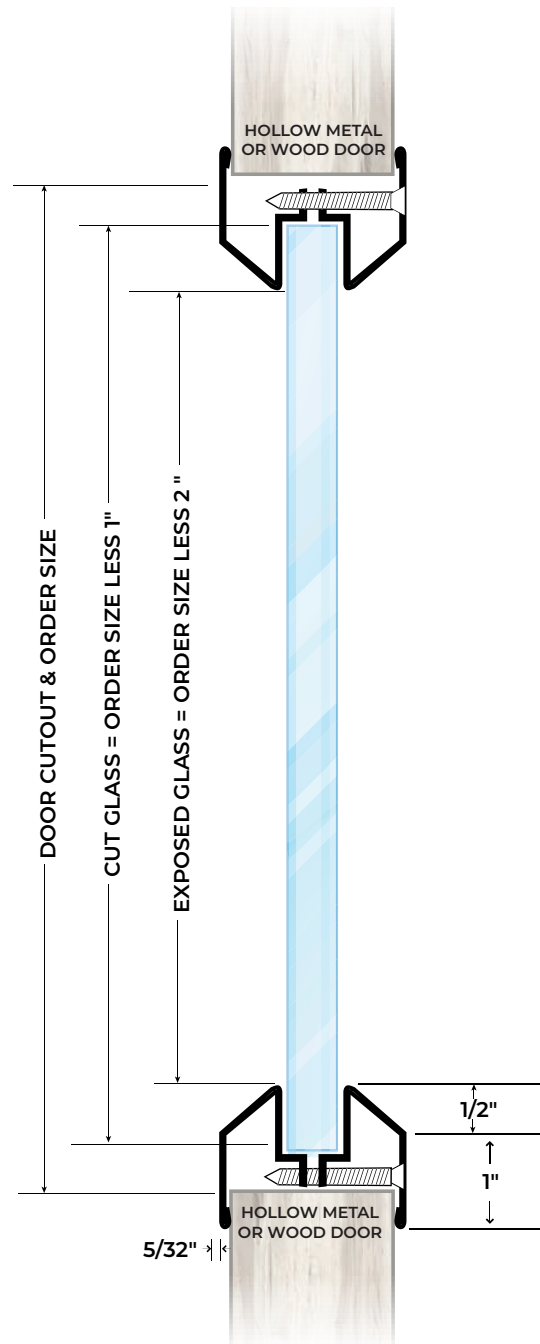
- ▶ 18 Ga. Cold Rolled Steel
- ▶ Mitered and Welded Corners
- ▶ Welded Reinforcing Clips at Corners
- ▶ Countersunk Mounting Screw-Holes
- ▶ #8 Phillips Head SMS
- ▶ Available in Uneven and Fractional Sizes
- ▶ Gray Primer (GPZ) Powder Coat Finish

#### Required Information

- ▶ Specify Glass Thickness on Order
- ▶ Specify Door Thickness on Order if Other Than 1<sup>3</sup>/<sub>4</sub>"

#### Available Options

- ▶ Powder Coat Color Options - See Page L3
- ▶ Torx Security Screws
- ▶ Galvanneal - A40 Steel
- ▶ Zinc Electroplating
- ▶ Glass & Glazing Tape - See Glass Section
- ▶ Lead Lining - 1/16" Thick



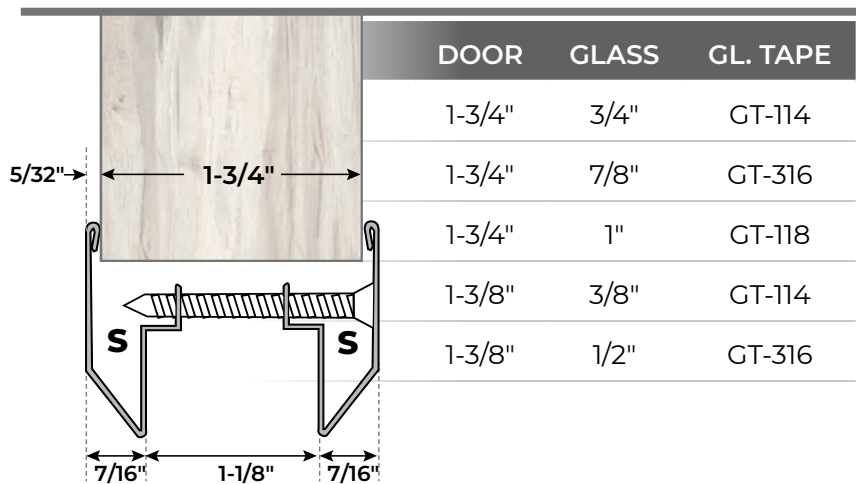
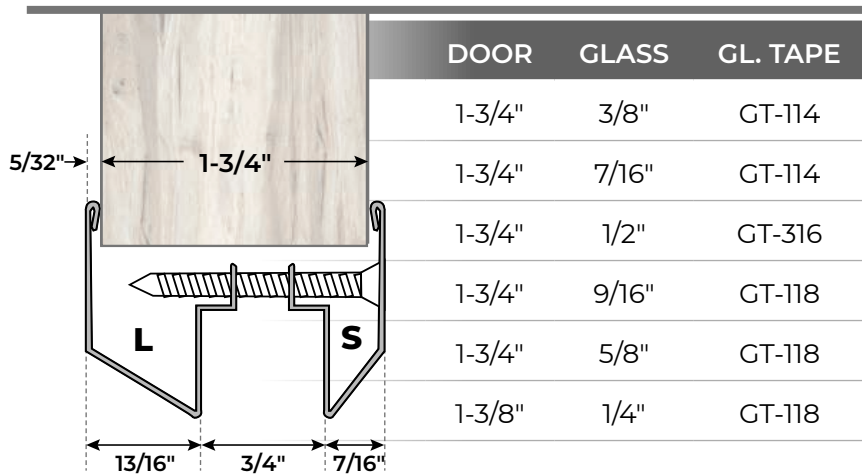
Not To Scale

Designed for Use on 1<sup>3</sup>/<sub>4</sub>" Thick Doors Manufactured Within Door Industry Tolerance of +/- 1/16".

# L-FRA100-SP

## GLASS AND DOOR COMBINATIONS

- Details Shown are for 1 3/4" Door Thickness
- Only Configurations Shown are Available



# LO-PRO™-IS

## LOW PROFILE LITE KIT

### FOR VARIABLE DOOR AND/OR GLASS THICKNESS

- 20 Ga. Cold Rolled Steel
- Mitered and Welded Corners
- Countersunk Mounting Screw-Holes
- #8 Phillips Head SMS
- Available in Uneven and Fractional Sizes
- Gray Primer (GPZ) Powder Coat Finish

### Required Information

- Specify Glass Thickness on Order
- Specify Door Thickness on Order if Other Than 1<sup>3</sup>/<sub>4</sub>"

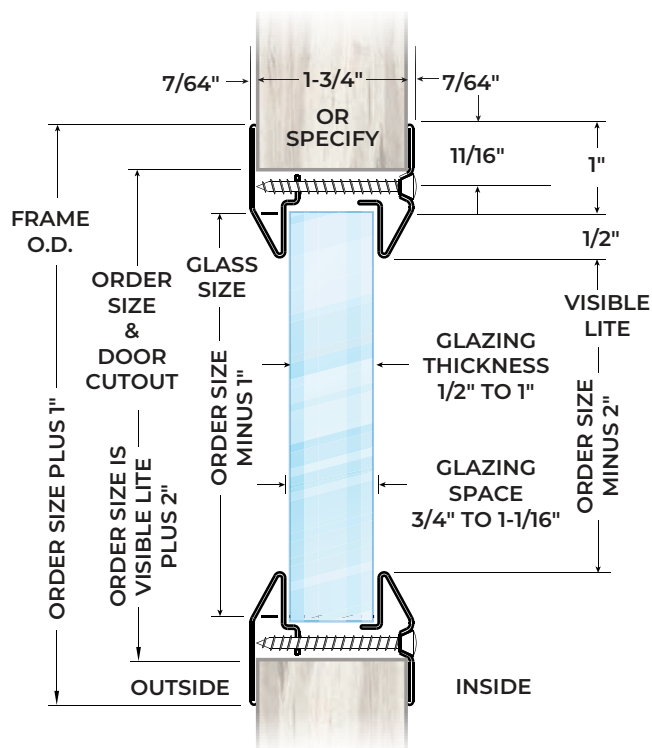
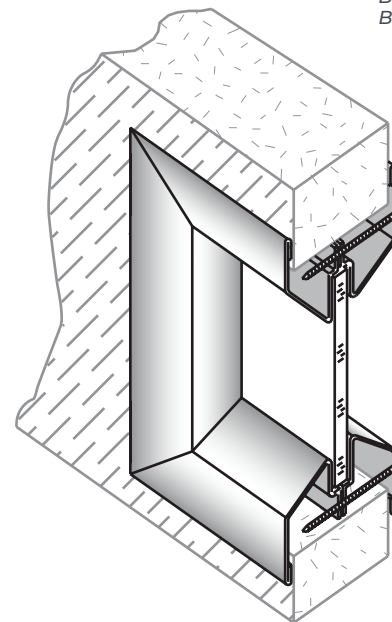
### Available Options

- Powder Coat Color Options - See Page L3
- Torx Security Screws
- Electrogalvanized Steel
- Zinc Electroplating
- Glass & Glazing Tape - See Glass Section
- Lead Lining - 1/16" Thick

**Anemostat**  
DOOR PRODUCTS



EN-1634  
European Std.  
BS 476.22  
British Std.



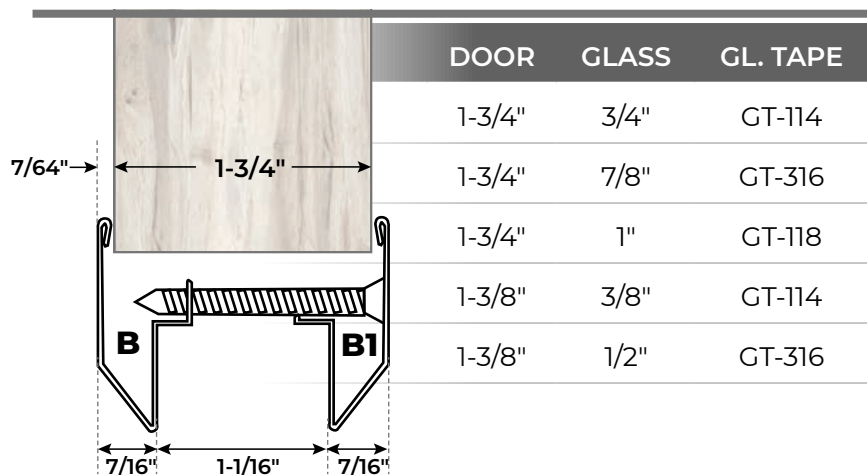
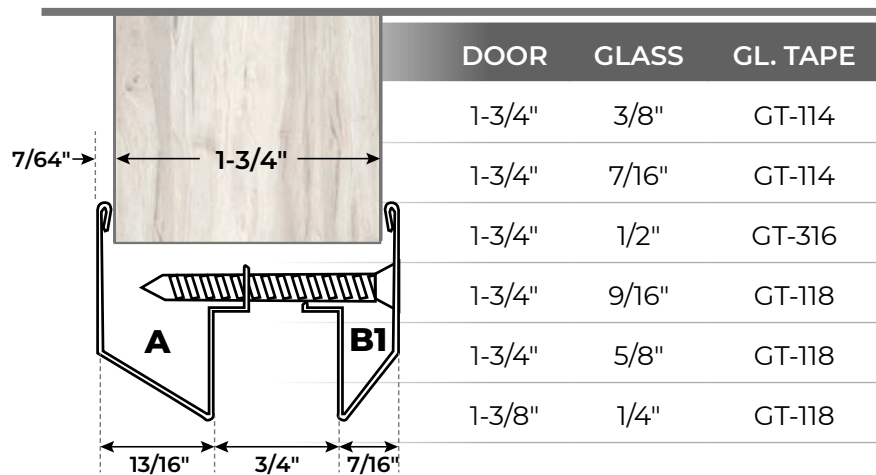
Not To Scale

Designed for Use on 1<sup>3</sup>/<sub>4</sub>" Thick Doors Manufactured Within Door Industry Tolerance of +/- 1/16".

# LO-PRO™-IS

## GLASS AND DOOR COMBINATIONS

- Details Shown are for 1¾" Door Thickness
- Only Configurations Shown are Available



# L-GLF100

## SQUARE PROFILE LITE KIT

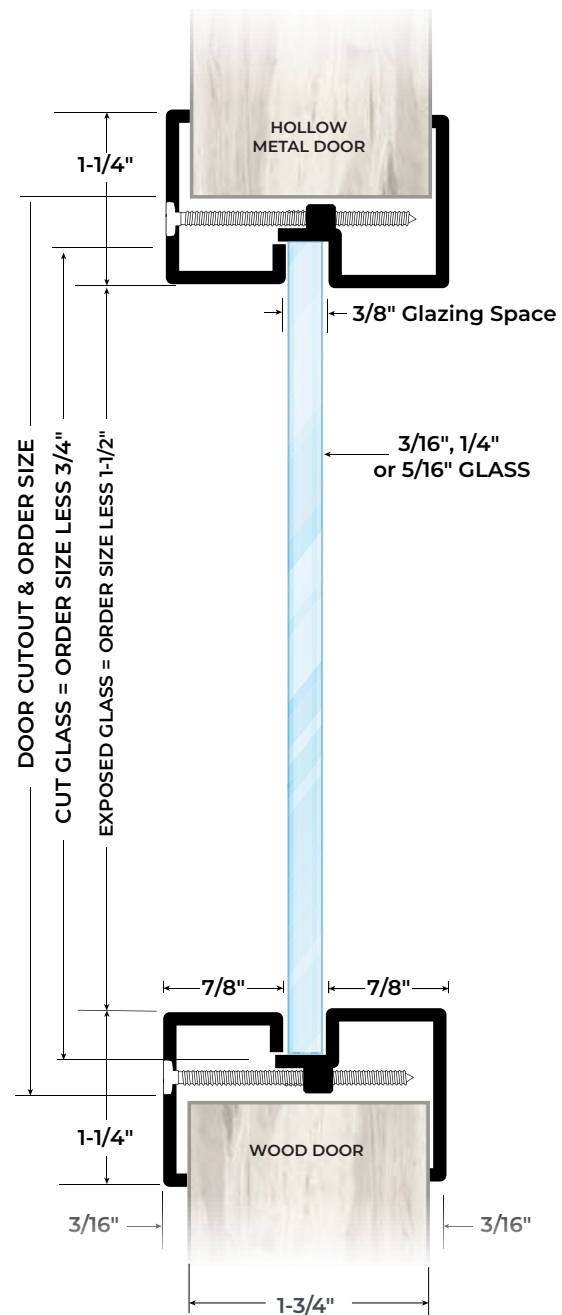
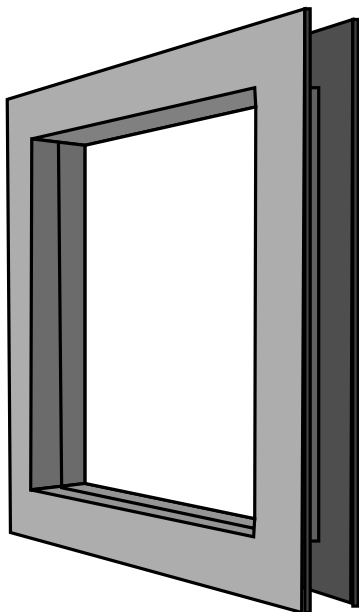
**FOR 1 3/4" THICK DOORS AND 3/16",  
1/4", OR 5/16" GLASS**



- ▶ 18 Ga. Cold Rolled Steel
- ▶ Mitered and Welded Corners
- ▶ Welded Reinforcing Clips at Corners
- ▶ Countersunk Mounting Screw-Holes
- ▶ #6 X 1 3/4" Phillips Truss Head SMS
- ▶ Available in Uneven and Fractional Sizes
- ▶ Gray Primer (GPZ) Powder Coat Finish

### Available Options

- ▶ Powder Coat Color Options - See Page L3
- ▶ False Mullion Bars - See Page L13
- ▶ Torx Security Screws
- ▶ Galvanneal - A40 Steel
- ▶ Zinc Electroplating
- ▶ Glass & Glazing Tape - See Glass Section
- ▶ Lead Lining - 1/16" Thick



Not To Scale

Designed for Use on 1 3/4" Thick Doors Manufactured  
Within Door Industry Tolerance of +/- 1/16".

# FALSE MULLION LITE KITS

- ▶ 1" Wide Steel Channel
- ▶ Fits L-GLF100, L-GLF100-SP, L-GLF100-TB, L-GLF100-SP-TB, L-SG100, L-SG100-TB
- ▶ Mullion Bars Welded Into Both Sides of Lite Kit
- ▶ Finished to Match Lite Kit



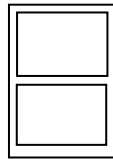
## Available Options

- ▶ Zinc Electroplating

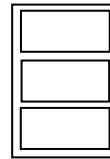
## To Order

Specify Lite Kit x G# (i.e.: G2, G3, G4 etc.)

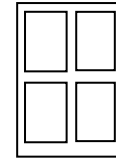
If Other Than as Illustrated, Provide Detail & Suffix G-SP



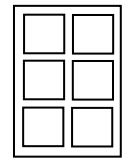
**G2**  
(1 Bar)



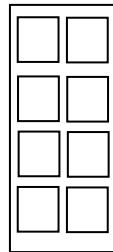
**G3**  
(2 Bars)



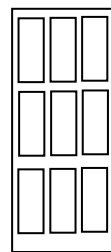
**G4**  
(2 Bars)



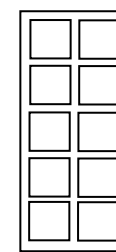
**G6**  
(3 Bars)



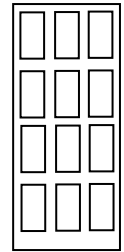
**G8**  
(4 Bars)



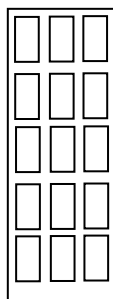
**G9**  
(4 Bars)



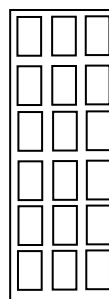
**G10**  
(5 Bars)



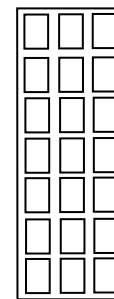
**G12**  
(5 Bars)



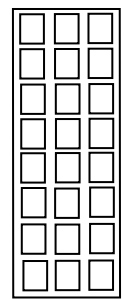
**G15**  
(6 Bars)



**G18**  
(7 Bars)



**G21**  
(8 Bars)



**G24**  
(9 Bars)

# L-GLF100-SP

## SQUARE PROFILE LITE KIT



### FOR VARIABLE DOOR AND/OR GLASS THICKNESS

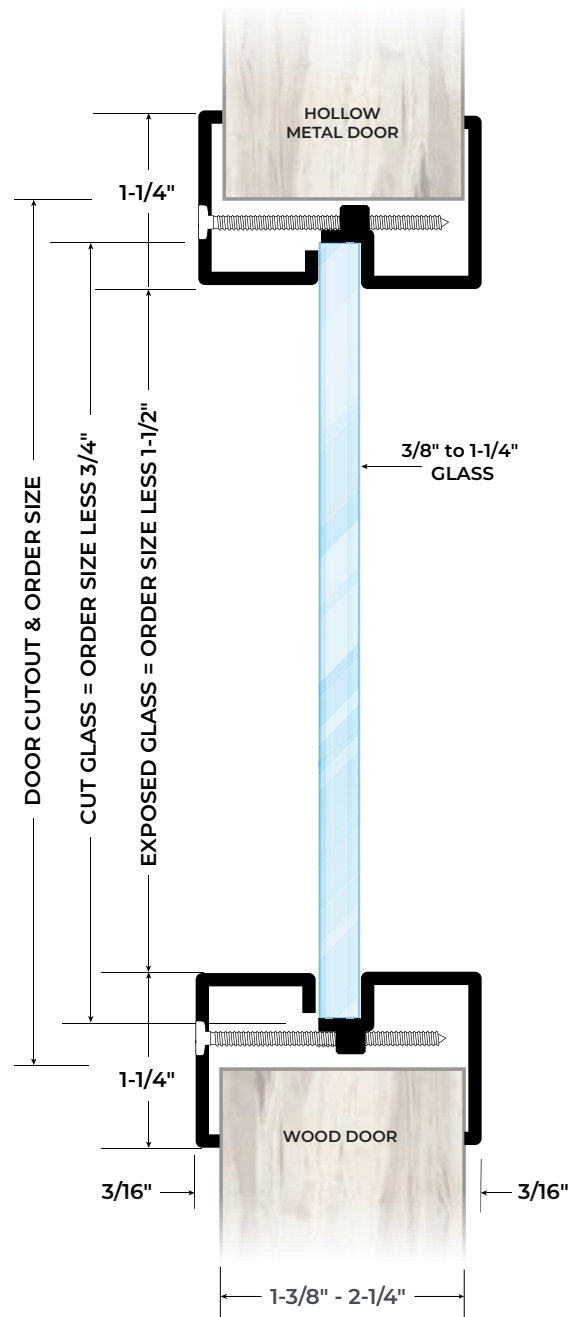
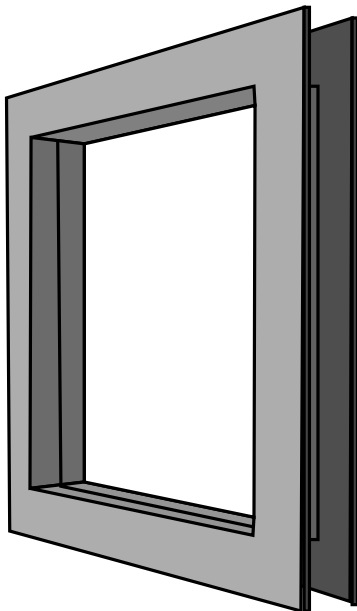
- ▶ 18 Ga. Cold Rolled Steel
- ▶ Mitered and Welded Corners
- ▶ Welded Reinforcing Clips at Corners
- ▶ Countersunk Mounting Screw-Holes
- ▶ #6 Phillips Truss Head SMS
- ▶ Gray Primer (GPZ) Powder Coat Finish

#### Required Information

- ▶ Specify Glass Thickness on Order
- ▶ Specify Door Thickness on Order if Other Than 1 3/4"

#### Available Options

- ▶ Powder Coat Color Options - See Page L3
- ▶ False Mullion Bars - See Page L13
- ▶ Torx Security Screws
- ▶ Galvanneal - A40 Steel
- ▶ Zinc Electroplating
- ▶ Glass & Glazing Tape - See Glass Section
- ▶ Lead Lining - 1/16" Thick



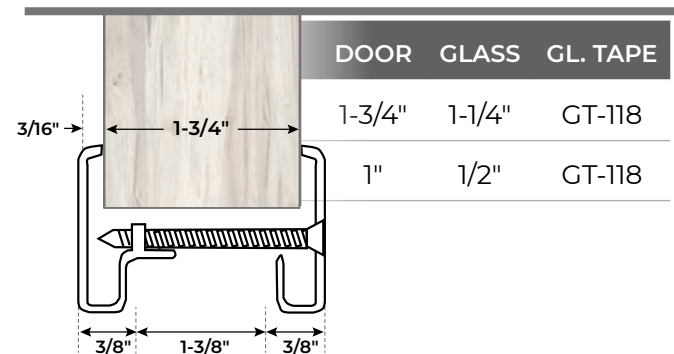
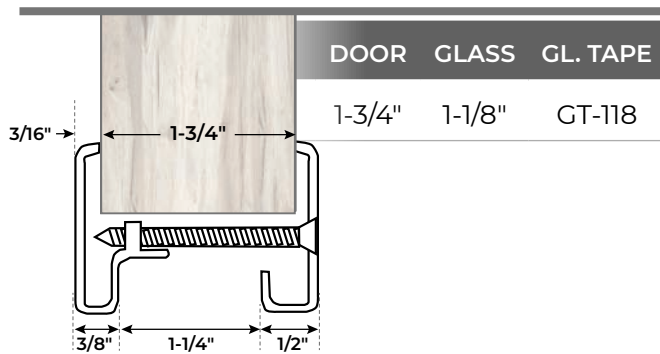
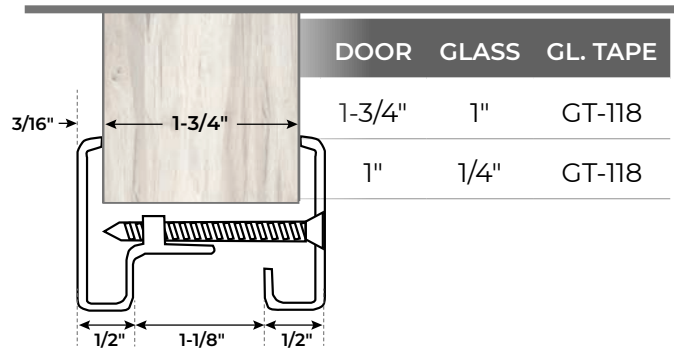
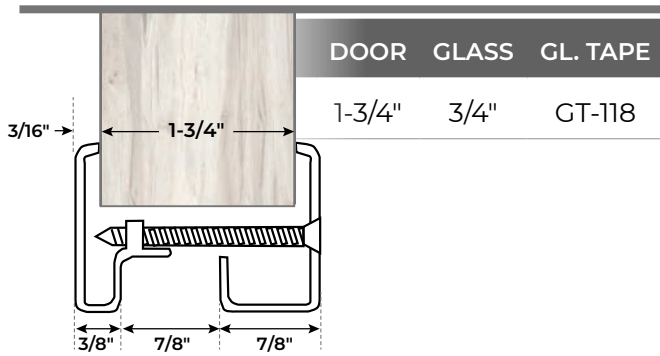
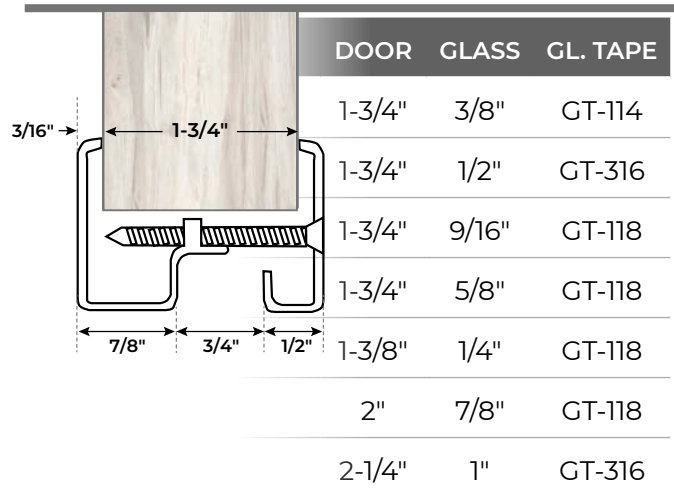
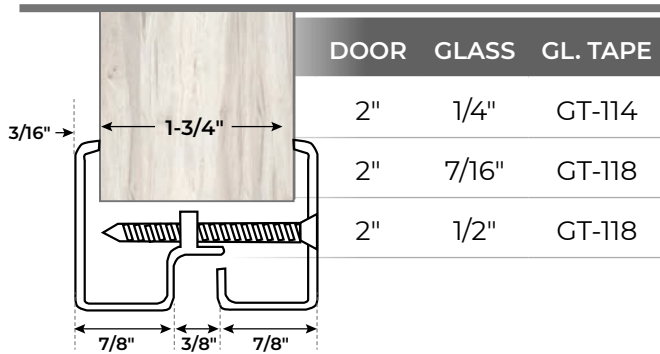
Not To Scale

Designed for Use on 1 3/4" Thick Doors Manufactured Within Door Industry Tolerance of +/- 1/16".

# L-GLF100-SP AND L-GLF100-SP-TB

## GLASS AND DOOR COMBINATIONS

- Details Shown are for 1 3/4" Door Thickness
- Only Configurations Shown are Available
- Thru-Bolts Available for 1 3/4" Thick Doors Only





# L-GLF100-TB

## THRU-BOLTED LITE KIT

**FOR 1 3/4" THICK DOORS AND 3/16", 1/4",  
OR 5/16" GLASS**



- 18 Ga. Cold Rolled Steel
- Mitered and Welded Corners
- Welded Reinforcing Clips at Corners
- Countersunk Mounting Screw-Holes
- Thru-Bolts for 1 3/4" Door
- Gray Primer (GPZ) Powder Coat Finish

### Available Options

- Powder Coat Color Options - See Page L3
- False Mullion Bars - See Page L13
- Torx Security Thru-Bolts
- Galvanneal - A40 Steel
- Zinc Electroplating
- Glass & Glazing Tape - See Glass Section
- Lead Lining - 1/16" Thick

# L-GLF100-SP-TB

## THRU-BOLTED LITE KIT

**FOR 1 3/4" THICK DOORS AND VARIABLE  
GLASS THICKNESS 3/8" TO 1 1/4"**

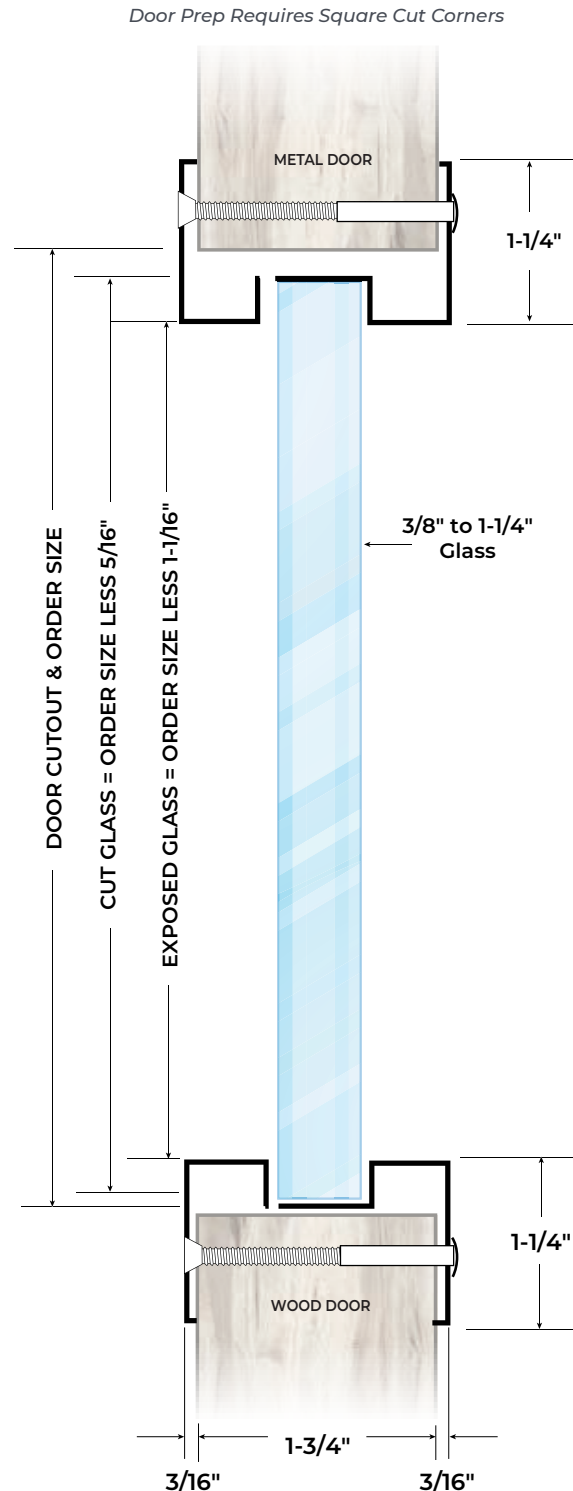
- 18 Ga. Cold Rolled Steel
- Mitered and Welded Corners
- Welded Reinforcing Clips at Corners
- Countersunk Mounting Screw-Holes
- Thru-Bolts for 1 3/4" Door
- Gray Primer (GPZ) Powder Coat Finish

### Required Information

- Specify Glass Thickness

### Available Options

- Powder Coat Color Options - See Page L3
- False Mullion Bars - See Page L13
- Torx Security Thru-Bolts
- Galvanneal - A40 Steel
- Zinc Electroplating
- Glass & Glazing Tape - See Glass Section
- Lead Lining - 1/16" Thick



*Designed for Use on 1 3/4" Thick Doors Manufactured  
Within Door Industry Tolerance of +/- 1/16".*

# L-SG100

## SELF-ATTACHING SECURITY GRILLE LITE KIT



\*Up to 90 Minutes

### FOR VARIABLE DOOR AND/OR GLASS THICKNESS

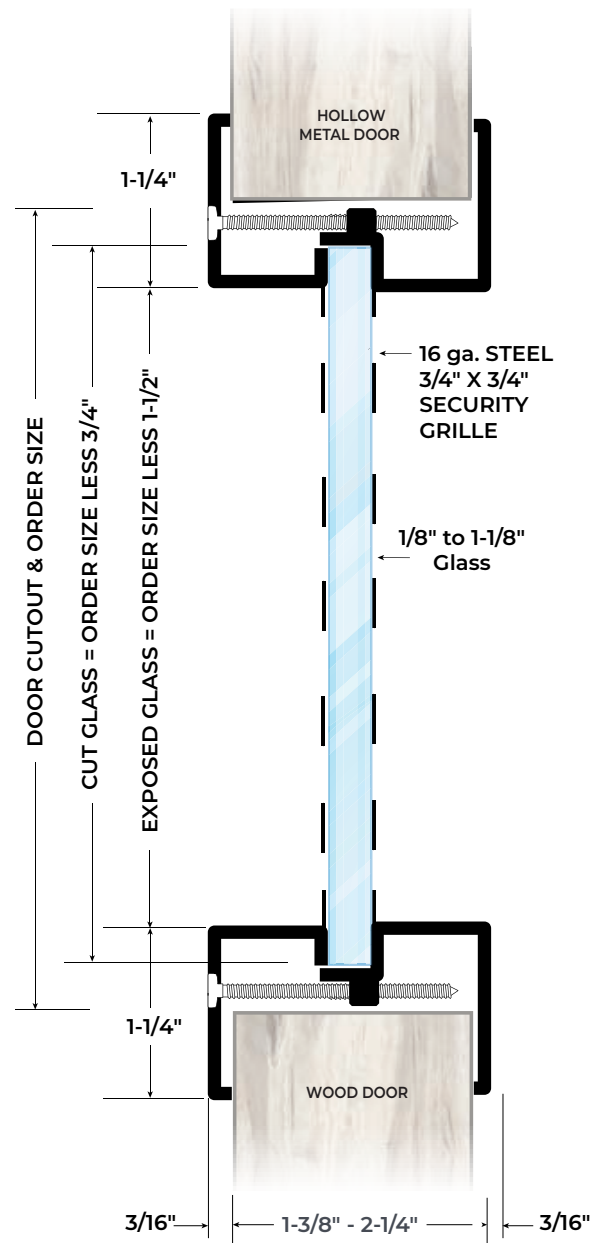
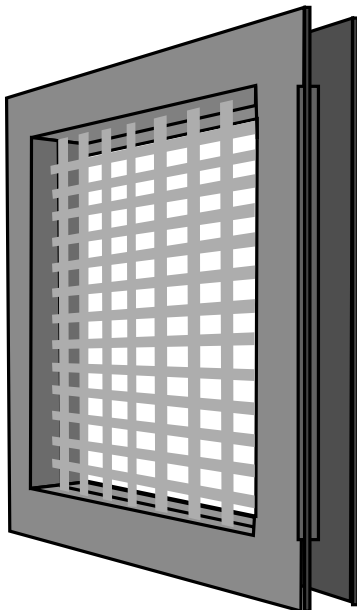
- ▶ 18 Ga. Cold Rolled Steel
- ▶ 16 Ga. Steel  $\frac{3}{4}$ " x  $\frac{3}{4}$ " Security Grille Welded on Both Sides
- ▶ Mitered and Welded Corners
- ▶ Welded Reinforcing Clips at Corners
- ▶ Countersunk Mounting Screw-Holes
- ▶ #6 Phillips Truss Head Screws
- ▶ Gray Primer (GPZ) Powder Coat Finish

### Required Information

- ▶ Specify Glass Thickness on Order
- ▶ Specify Door Thickness on Order if Other Than  $1\frac{3}{4}$ " -See Page L19 for Available Sizes

### Available Options

- ▶ Powder Coat Color Options - See Page L3
- ▶ False Mullion Bars - See Page L13
- ▶ Torx Security Screws
- ▶ Galvanneal - A40 Steel
- ▶ Zinc Electroplating
- ▶ Glass & Glazing Tape - See Glass Section
- ▶ Lead Lining -  $\frac{1}{16}$ " Thick



Not To Scale

Designed for Use on  $1\frac{3}{4}$ " Thick Doors Manufactured Within Door Industry Tolerance of  $\pm\frac{1}{16}$ ".

# L-SG100-TB

## THRU-BOLTED SECURITY GRILLE LITE KIT



\*Up to 90 Minutes

### FOR 1 3/4" THICK DOORS AND VARIABLE GLASS THICKNESS

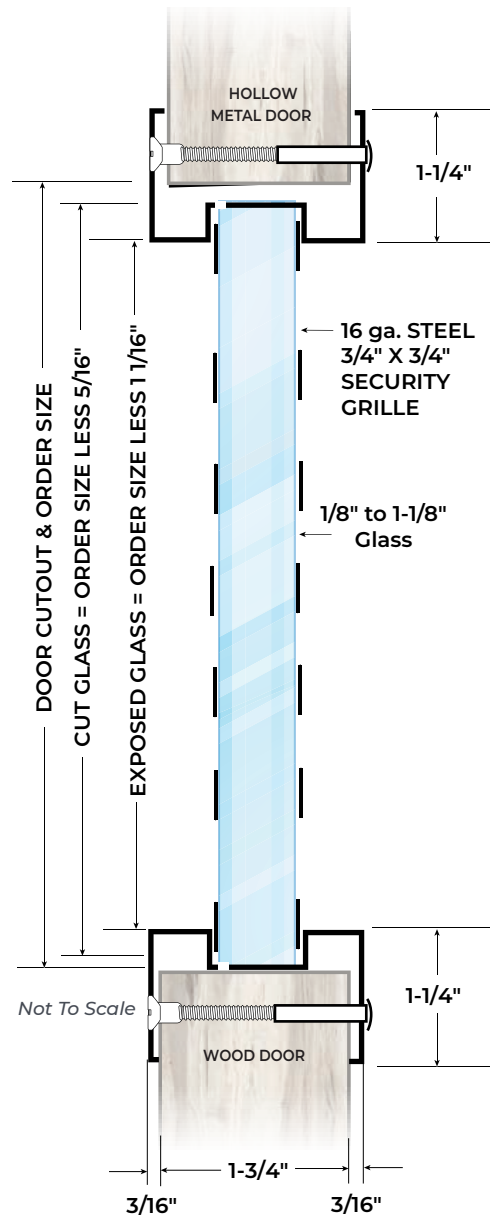
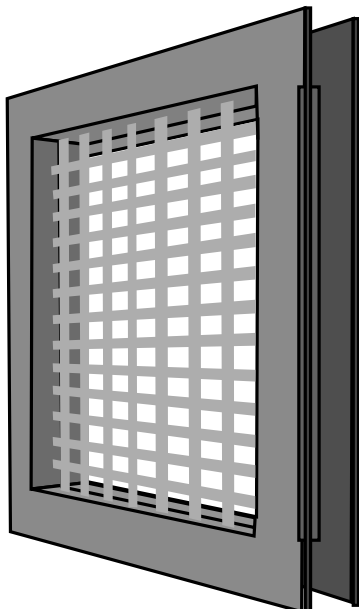
- ▶ 18 Ga. Cold Rolled Steel
- ▶ 16 Ga. Steel 3/4" x 3/4" Security Grille Welded in Both Sides
- ▶ Mitered and Welded Corners
- ▶ Welded Reinforcing Clips at Corners
- ▶ Countersunk Mounting Screw-Holes
- ▶ Thru-Bolts for 1 3/4" Door
- ▶ Gray Primer (GPZ) Powder Coat Finish

#### Required Information

- ▶ Specify Glass Thickness on Order
- ▶ See page L15 for available sizes

#### Available Options

- ▶ Powder Coat Color Options - See Page L3
- ▶ False Mullion Bars - See Page L13
- ▶ Torx Security Thru-Bolts
- ▶ Galvanneal - A40 Steel
- ▶ Zinc Electroplating
- ▶ Glass & Glazing Tape - See Glass Section
- ▶ Lead Lining - 1/16" Thick



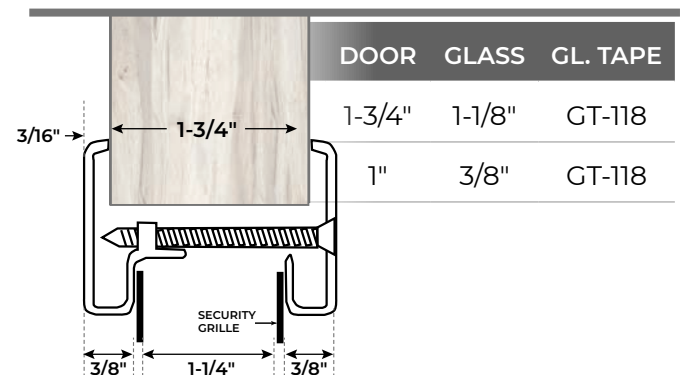
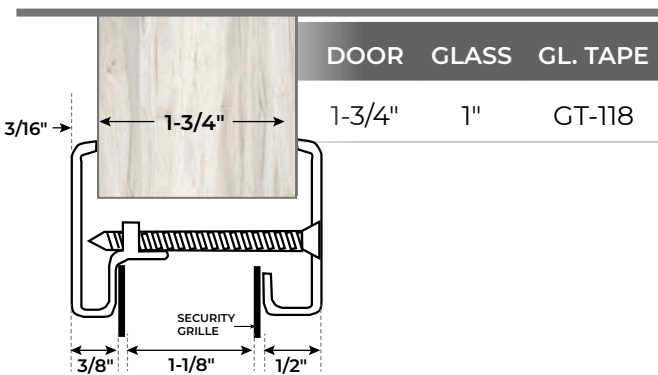
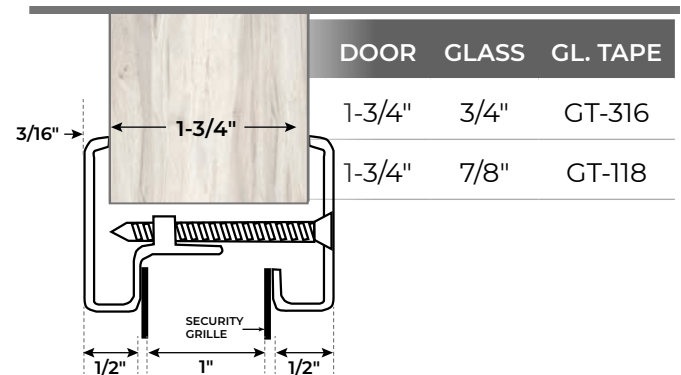
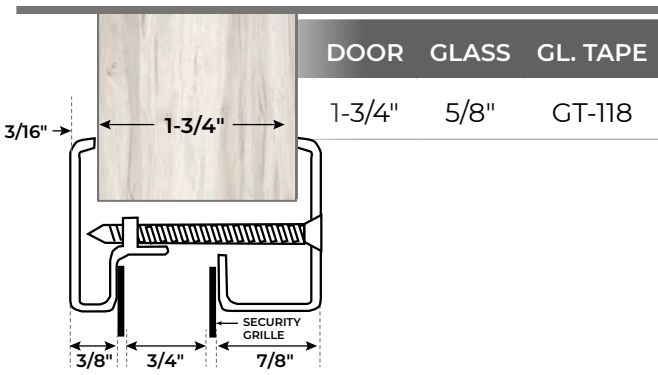
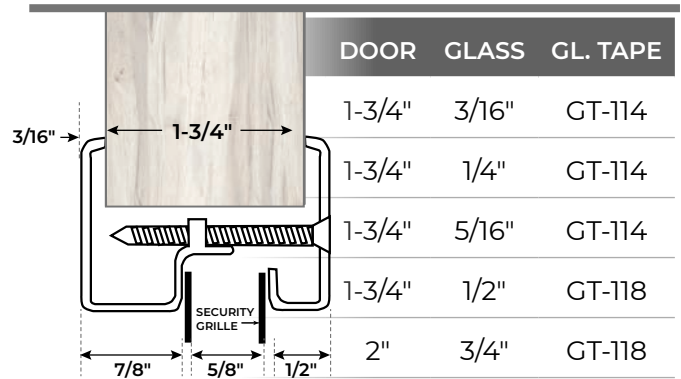
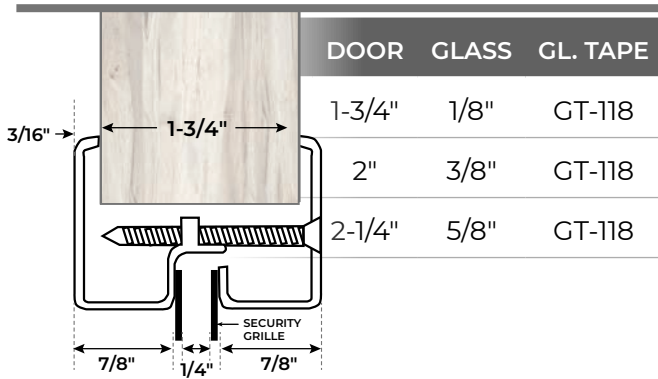
Not To Scale

Designed for Use on 1 3/4" Thick Doors Manufactured Within Door Industry Tolerance of +/- 1/16".

# L-SG100 AND L-SG100-TB

## GLASS AND DOOR COMBINATIONS—SECURITY GRILLE

- Details Shown are for 1 3/4" Door Thickness
- Only Configurations Shown are Available
- Thru-Bolts Available for 1 3/4" Thick Doors Only



# L-CVFM-SS

## STAINLESS STEEL LITE KIT

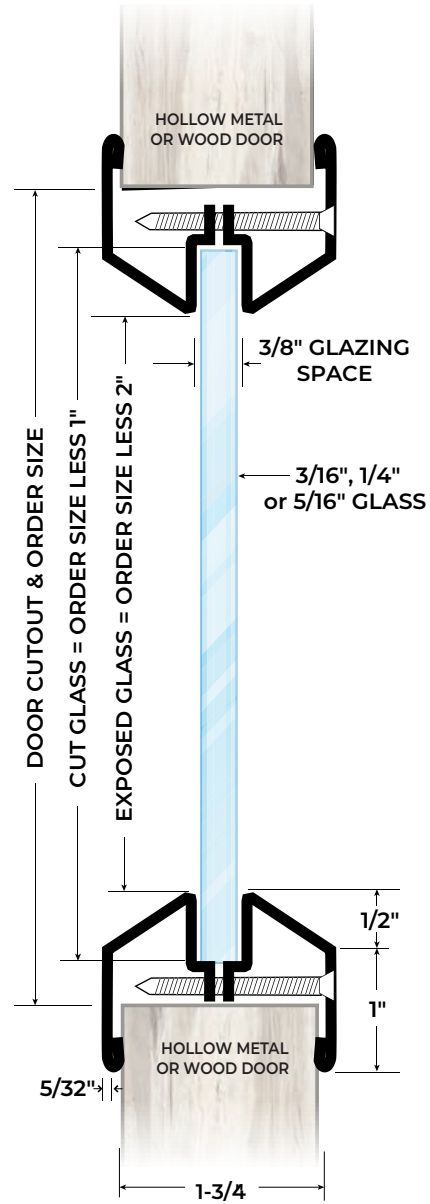
**FOR 1 3/4" THICK DOORS AND 3/16", 1/4",  
OR 5/16" GLASS**



- ▶ 18 Ga. Type 304 Stainless Steel
- ▶ Mitered and Welded Corners
- ▶ Countersunk Mounting Screw-Holes
- ▶ Available in Uneven and Fractional Sizes
- ▶ #8 X 1 3/4" Phillips Head SMS
- ▶ #4 Satin Finish

### Available Options

- ▶ 18 Ga. Type 316 Stainless Steel –  
Specify L-CVFM-316SS
- ▶ Torx Security Screws
- ▶ Glass & Glazing Tape - See Glass Section
- ▶ Lead Lining - 1/16" Thick



Not To Scale

Designed for Use on 1 3/4" Thick Doors Manufactured  
Within Door Industry Tolerance of +/- 1/16".

# L-CVFM-SS-SP

## STAINLESS STEEL LITE KIT



### FOR VARIABLE DOOR AND/OR GLASS THICKNESS

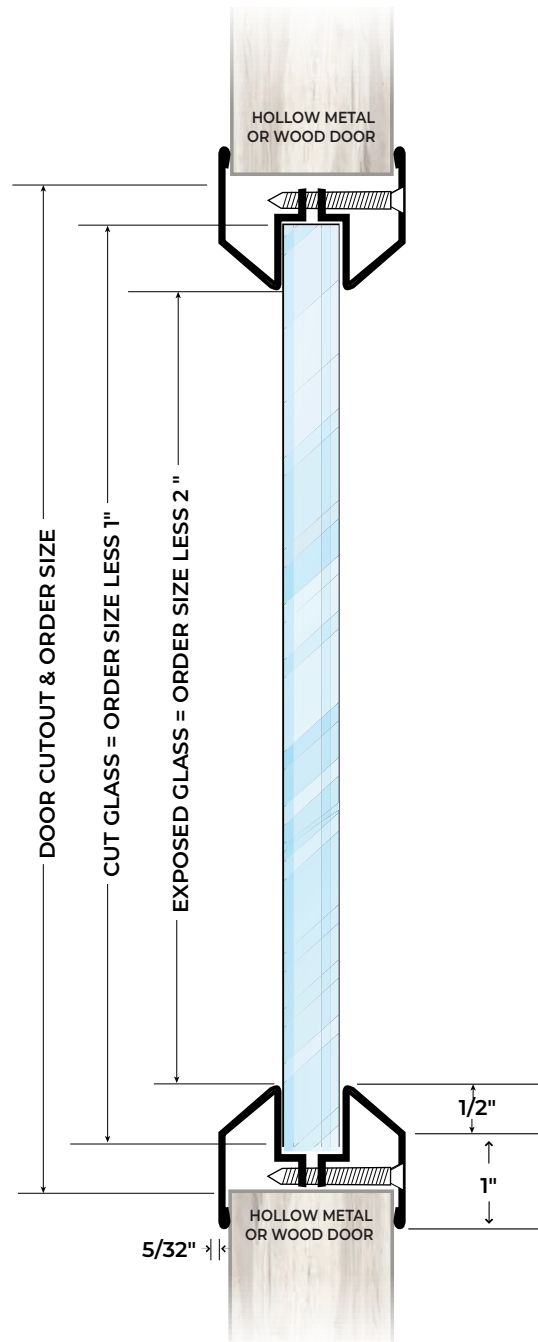
- ▶ 18 Ga. Type 304 Stainless Steel
- ▶ Mitered and Welded Corners
- ▶ Welded Reinforcing Clips at Corners
- ▶ Countersunk Mounting Screw-Holes
- ▶ Available in Uneven and Fractional Sizes
- ▶ #8 Phillips Head SMS
- ▶ #4 Satin Finish

#### Required Information

- ▶ Specify Glass Thickness on Order
- ▶ Specify Door Thickness on Order if Other Than  $1\frac{3}{4}$ "

#### Available Options

- ▶ 18 Ga. Type 316 Stainless Steel – Specify L-CVFM-316SS-SP
- ▶ Torx Security Screws
- ▶ Glass & Glazing Tape - See Glass Section
- ▶ Lead Lining -  $\frac{1}{16}$ " Thick



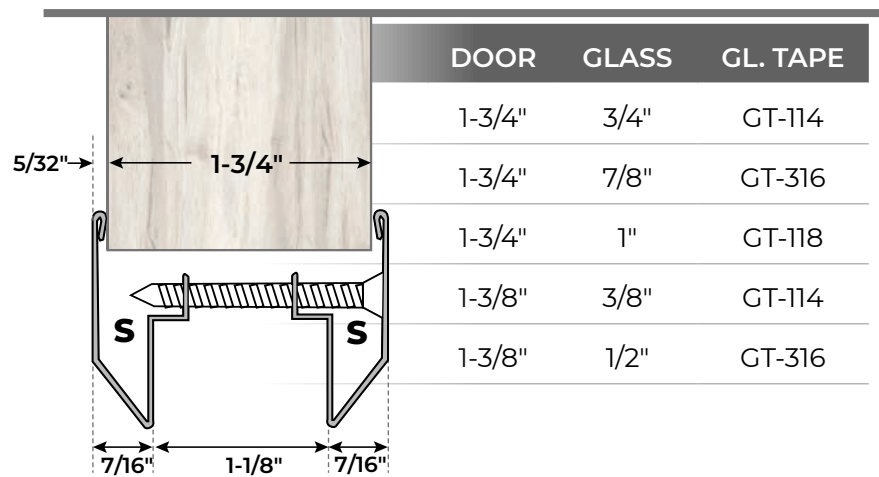
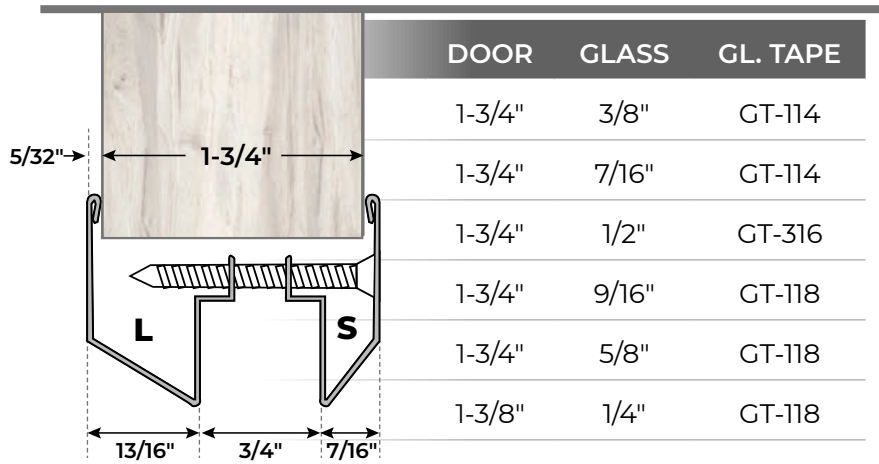
Not To Scale

Designed for Use on  $1\frac{3}{4}$ " Thick Doors Manufactured Within Door Industry Tolerance of  $\pm \frac{1}{16}$ ".

# L-CVFM-SS-SP

## GLASS AND DOOR COMBINATIONS

- Details Shown are for 1 3/4" Door Thickness
- Only Configurations Shown are Available



# SG-10

## THRU-BOLTED SECURITY LITE KIT

### FOR 1 3/4" UP TO 2 1/4" THICK DOORS AND 3/16" UP TO 1 13/16" GLASS

- ▶ 10 Ga. Hot Rolled Pickled & Oiled Steel for Glass up to 1" Thick
- ▶ 12 Ga. Hot Rolled Pickled & Oiled Steel for Glass Over 1" Thick
- ▶ Mitered and Welded Corners
- ▶ Countersunk Mounting Screw-Holes
- ▶ #8-32 Torx Security Pin Screw Thru-Bolts
- ▶ Gray Primer (GPZ) Powder Coat Finish

#### Required Information

- ▶ Specify Door Thickness if Other Than 1 3/4"
- ▶ Specify Glass Thickness
- ▶ Refer to Page L24 for Specialty Profiles and Important Order Information

#### Available Options

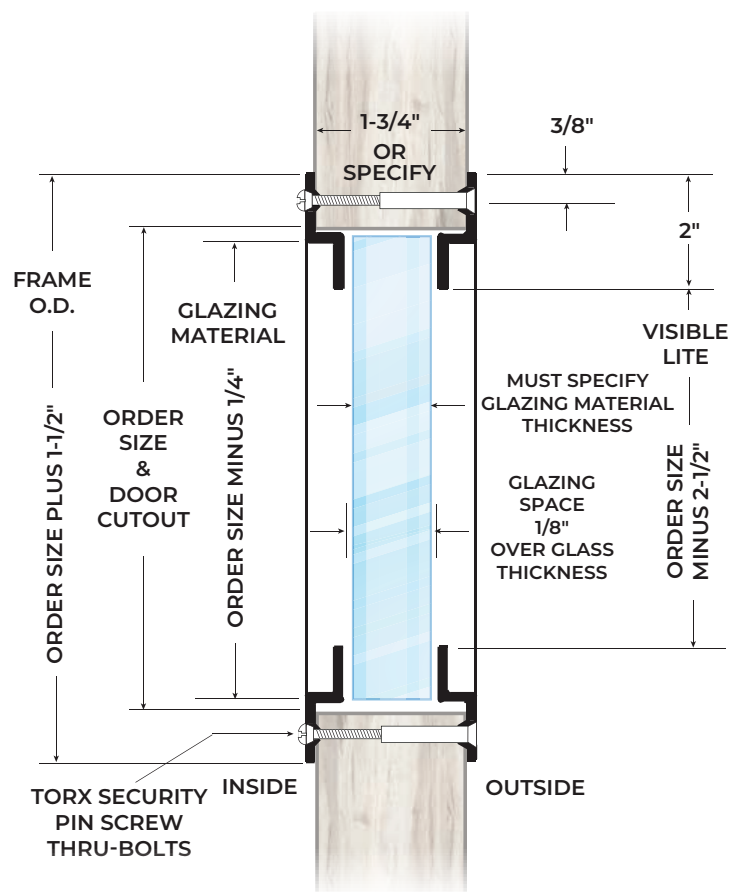
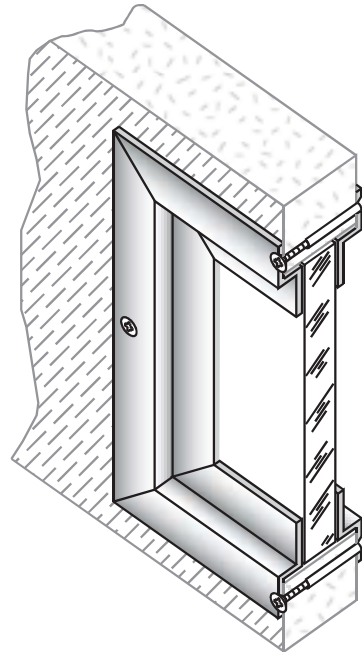
- ▶ Powder Coat Color Options - See Page L3
- ▶ Zinc Electroplating
- ▶ Glass & Glazing Tape - See Glass Section
- ▶ Stainless Steel Type 316, #4 Finish - Specify SG-10-316SS

#### Ballistic Rated

- ▶ UL752 Level III as Part of Ballistic Door Assemblies

#### Impact Ratings

- ▶ Tested in Compliance with ASTM F-1450



Not To Scale

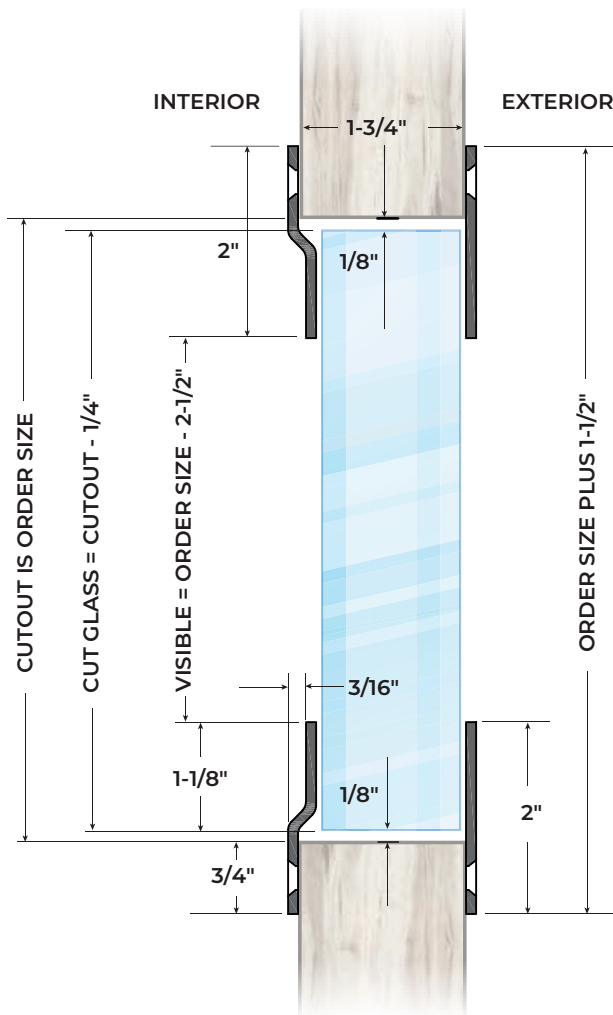
Designed for Use on Doors Manufactured Within Door Industry Tolerance of +/- 1/16".



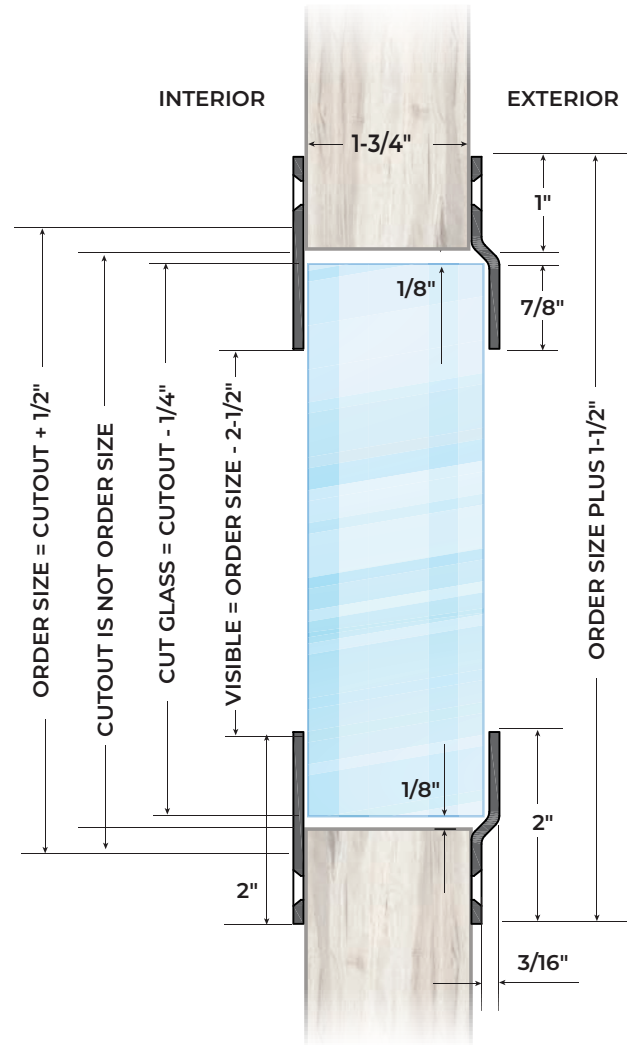
# SG-10

## SPECIALTY PROFILES

- ▶ Details Shown are for 1 3/4" Door Thickness
- ▶ Only Configurations Shown are Available for These Glass Thicknesses



- ▶ 1 7/16" Glass Thickness
- ▶ Specified in Steelcraft Hurricane/60 Min. Fire-Rated Doors
- ▶ Cut-Out = Order Size



- ▶ 1 13/16" Glass Thickness
- ▶ Specified in Steelcraft Hurricane/90 Min. Fire-Rated Doors
- ▶ Cut-Out Plus 1/2" = Order Size

### FOR 3/4" AND THICKER DOORS

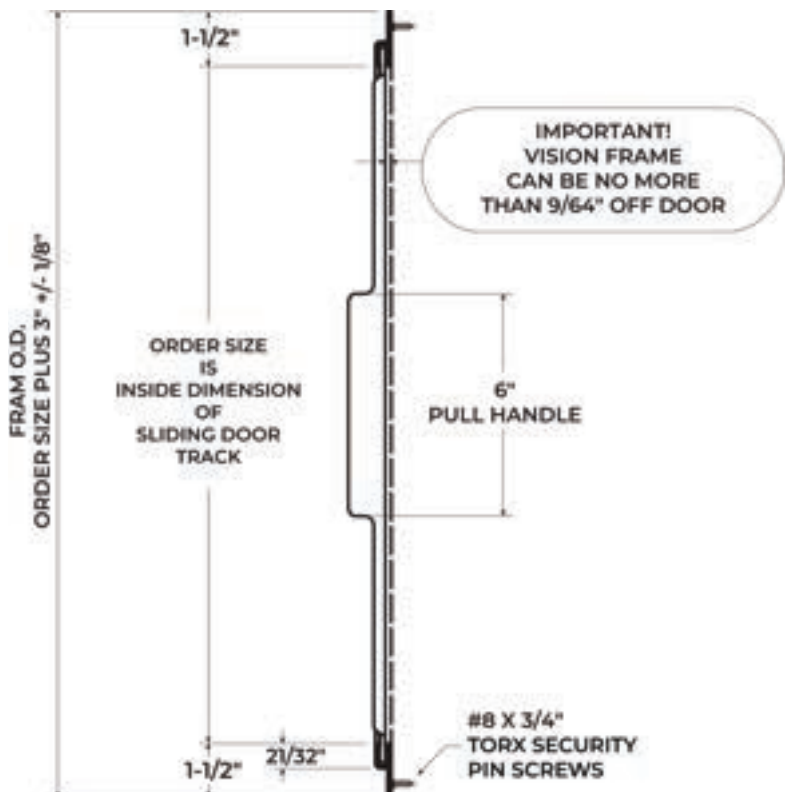
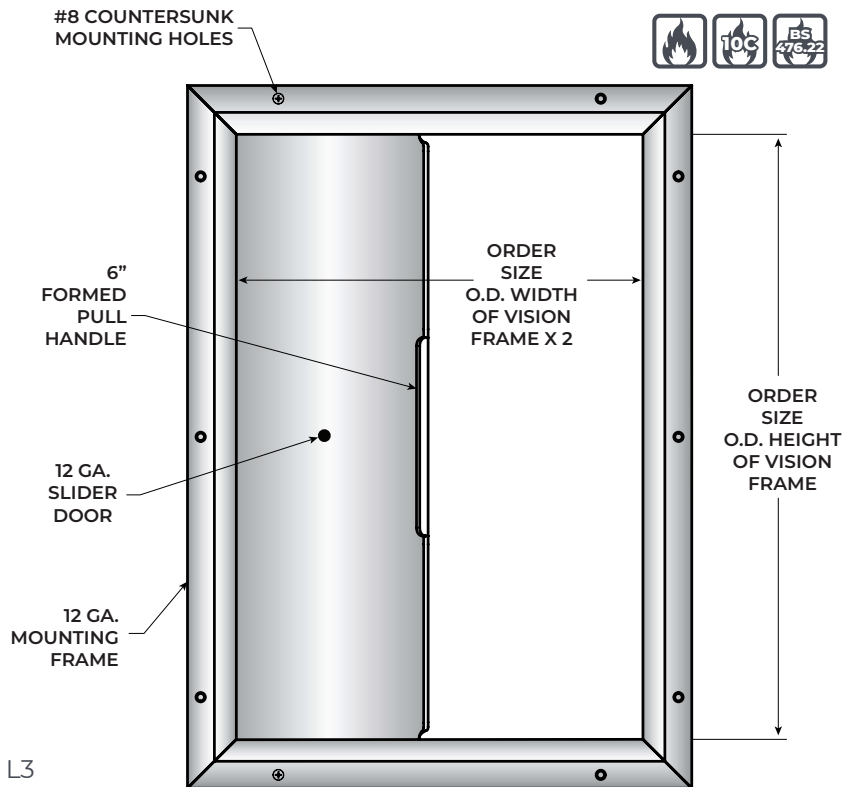
- 12 Ga. Hot Rolled Pickled & Oiled Steel Channel Frame and Sliding Door with Formed Pull Handle
- Mitered and Welded Corners
- Countersunk Mounting Screw-Holes
- #8 x 3/4" Torx Security Pin Screws
- Gray Primer (GPZ) Powder Coat Finish

### Order Size

- Width = Outside Dimension of Vision Frame/Light Kit x 2
- Height = Outside Dimension of Vision Frame/Lite Kit
- Refer to order forms on [ngp.com](http://ngp.com)

### Available Options

- Powder Coat Color Options - See Page L3
- Stainless Steel Type 316, #4 Finish – Specify SSD-316SS



Not To Scale

Designed for Use on Doors Manufactured Within Door Industry Tolerance of +/- 1/16".

# LO-PRO-SSD

## LOW PROFILE LITE KIT WITH SECURITY SLIDING DOOR

### FOR 1 3/4" THICK DOORS AND 3/16" OR 1/4" GLASS

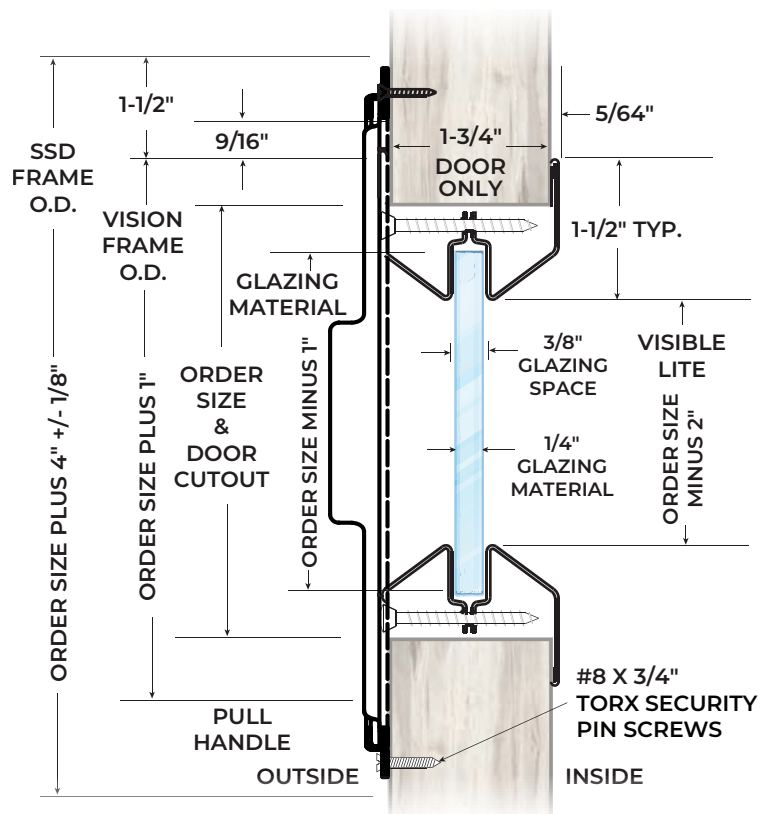
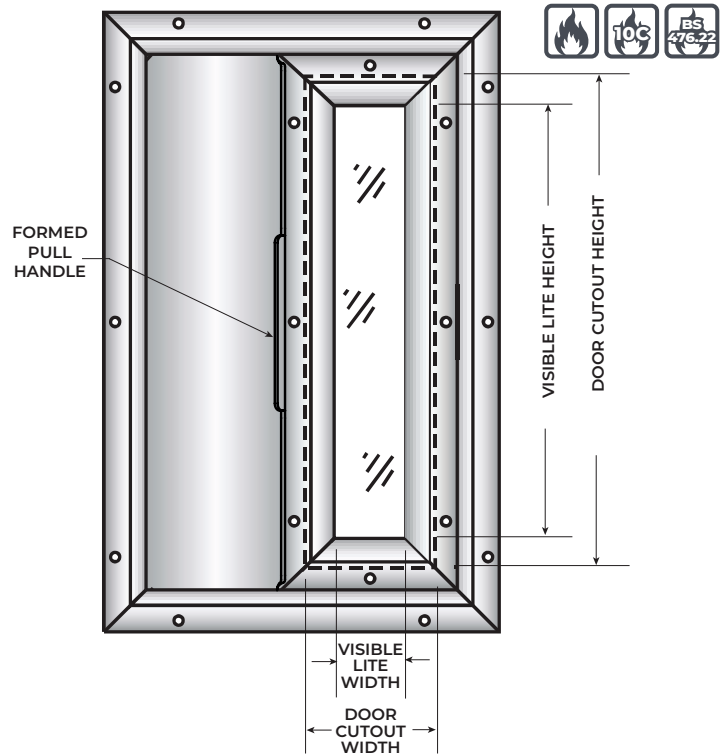
- 20 Ga. Cold Rolled Steel Lo-Pro Kit
- 12 Ga. Hot Rolled Pickled & Oiled Steel SSD Channel Frame and Sliding Door with Formed Pull Handle
- Mitered and Welded Corners
- Countersunk Mounting Screw-Holes
- Lo-Pro Kit: #8 x 1 3/4" Torx Security Pin Screws  
SSD: #8 x 3/4" Torx Security Pin Screws
- Gray Primer (GPZ) Powder Coat Finish

#### Required Information:

- Order Size = Door Cutout Size

#### Available Options

- Powder Coat Color Options - See Page L3
- Electrogalvanized Steel (Lo-Pro Portion Only)
- Zinc Electroplating (SSD Zinc-EL Only)



Not To Scale

Designed for Use on Doors Manufactured Within Door Industry Tolerance of +/- 1/16".

# SG-10-SSD

## THRU-BOLTED SECURITY LITE KIT WITH SECURITY SLIDING DOOR

### FOR 1 3/4" UP TO 2 1/4" THICK DOORS AND 3/16" UP TO 1 13/16" GLASS

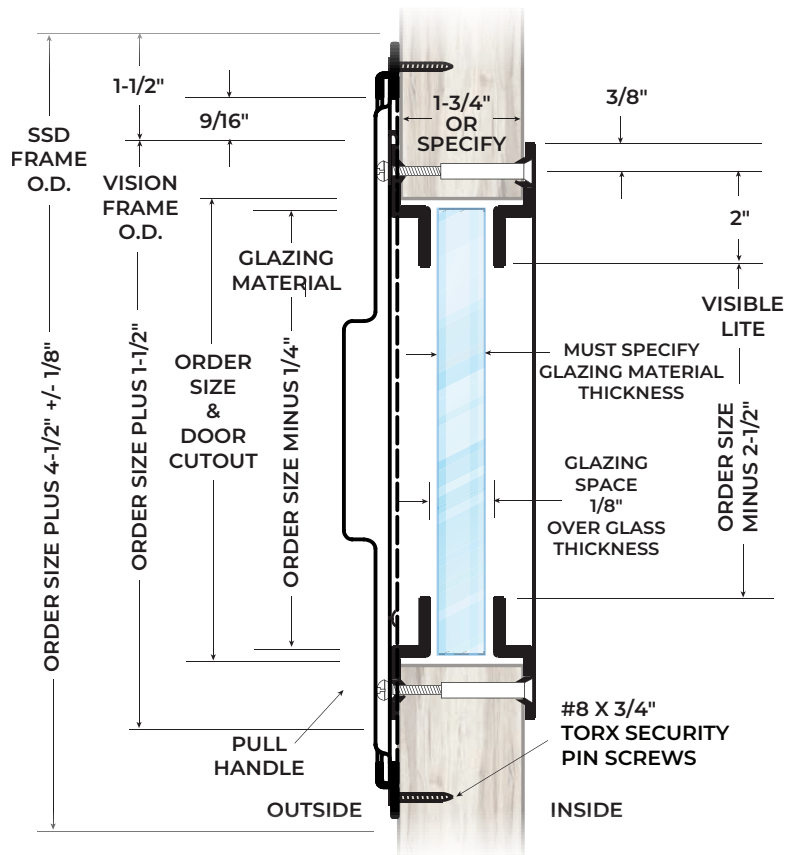
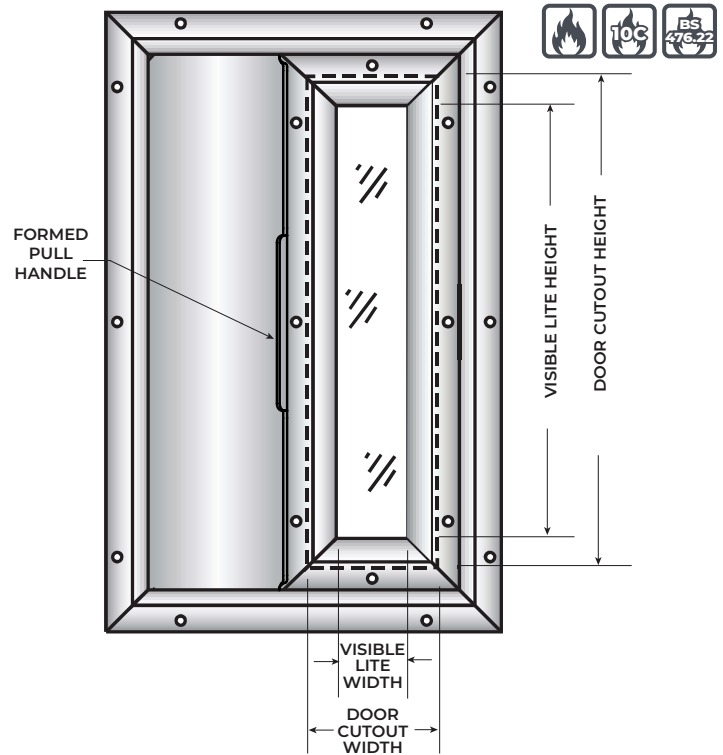
- 10 Ga. Hot Rolled Pickled & Oiled Steel SG-10 Kit for Glass up to 1" Thick
- 12 Ga. Hot Rolled Pickled & Oiled Steel SG-10 Kit for Glass Over 1" Thick
- 12 Ga. Hot Rolled Pickled & Oiled Steel SSD Channel Frame and Sliding Door with Formed Pull Handle
- Countersunk Mounting Screw-Holes
- SG-10 Kit: #8-32 Torx Security Pin Screw Thru-Bolts  
SSD: #8 x 3/4" Torx Security Pin Screws
- Gray Primer (GPZ) Powder Coat Finish

### Required Information

- Specify Door Thickness if Other Than 1 3/4"
- Specify Glass Thickness
- Order Size = Door Cutout Size

### Available Options

- Powder Coat Color Options - See Page L3
- Zinc Electroplating
- Stainless Steel Type 316, #4 Finish - Specify SG-10-SSD-316SS



Not To Scale

Designed for Use on Doors Manufactured Within Door Industry Tolerance of +/- 1/16".

# BR-7

## THRU-BOLTED SECURITY LITE KIT

### FOR 1 3/4" UP TO 2 1/4" THICK DOORS AND 3/16" UP TO 1 13/16" GLASS

- ▶ 7 Ga. Cold Rolled Steel Face Plate Outer Frame
- ▶ 10 Ga. Hot Rolled Pickled & Oiled Steel SG-10 Inside Frame for Glass up to 1" Thick
- ▶ 12 Ga. Hot Rolled Pickled & Oiled Steel SG-10 Inside Frame for Glass Over 1" Thick
- ▶ Countersunk Mounting Screw-Holes
- ▶ #8-32 Torx Security Pin Screw Thru-Bolts
- ▶ Gray Primer (GPZ) Powder Coat Finish

#### Required Information:

- ▶ Specify Door Thickness if Other Than 1 3/4"
- ▶ Specify Glass Thickness

#### Available Options

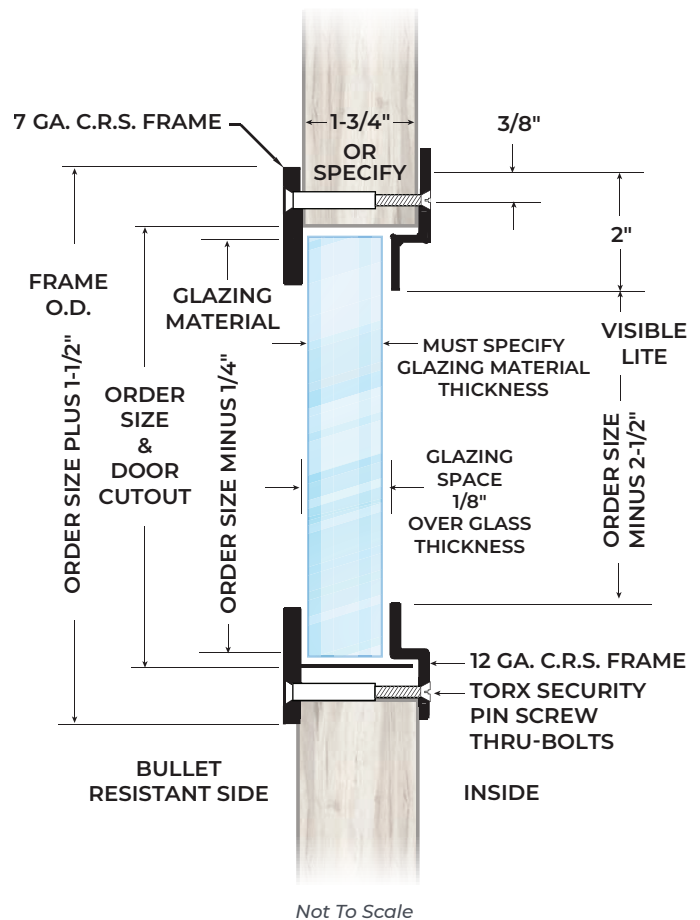
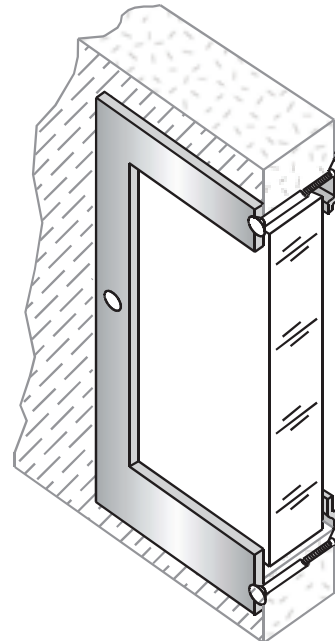
- ▶ Powder Coat Color Options - See Page L3
- ▶ Zinc Electroplating

#### Ballistic Rated

- ▶ UL752 Level III as Part of Ballistic Door Assemblies

#### Impact Ratings

- ▶ Tested in Compliance with ASTM F-1450



Designed for Use on Doors Manufactured Within Door Industry Tolerance of +/- 1/16".

# STORM-PRO™-HR

## LOW-PROFILE HURRICANE RATED LITE KIT

### FOR 1 3/4" DOORS

- ▶ 18 Ga. Galvanneal A40 Steel
- ▶ Mitered and Welded Corners
- ▶ Countersunk Mounting Screw-Holes
- ▶ #8 X 1 3/4" Phillips Head SMS
- ▶ Maximum Order Size: 36' X 72"
- ▶ Available in Uneven and Fractional Sizes
- ▶ Gray Primer (GPZ) Powder Coat Finish
- ▶ 1/2" Laminated Glass: 2 pcs. 3/16" Clear Glass with Clear Bonded Laminate Center
- ▶ 5/8" x .090" Acrylic Conformable Foam Glazing Tape (Both Sides)

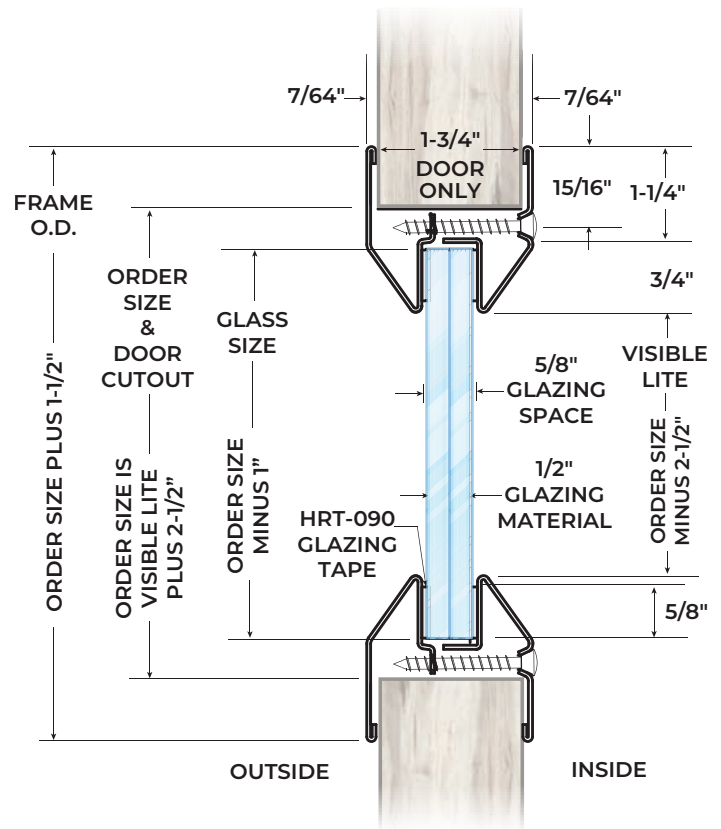
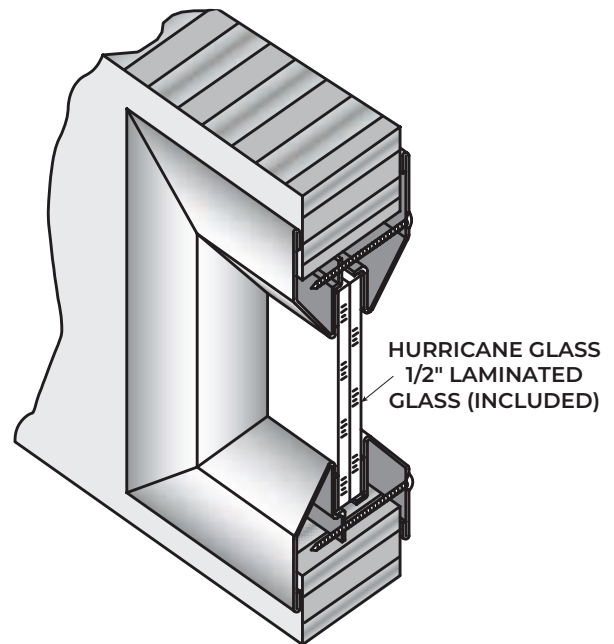
### Available Options

- ▶ Powder Coat Color Options - See Page L3
- ▶ Torx Security Screws
- ▶ Zinc Electroplating
- ▶ Stainless Steel Type 316, #4 Finish – Specify STORM-PRO-HR-316SS

### Windstorm Rated

- ▶ Light Kit for Use in Windstorm-rated Assembly in Accordance with ANSI/ASTM E330, ANSI/ASTM E1886, ASTM E1996, AAMA/WDMA/CSA 101/I.S.2/A440, FEMA 320, FEMA 361 and ICC 500.
- Design Pressure = +/- 70 PSF
- Large Missile Impact = 350 ft. lbs.
- Hazard - Hurricane

This Product is Not Rated for Use on Fire-Rated Doors



Not To Scale

Designed for Use on Doors Manufactured Within Door Industry Tolerance of +/- 1/16".

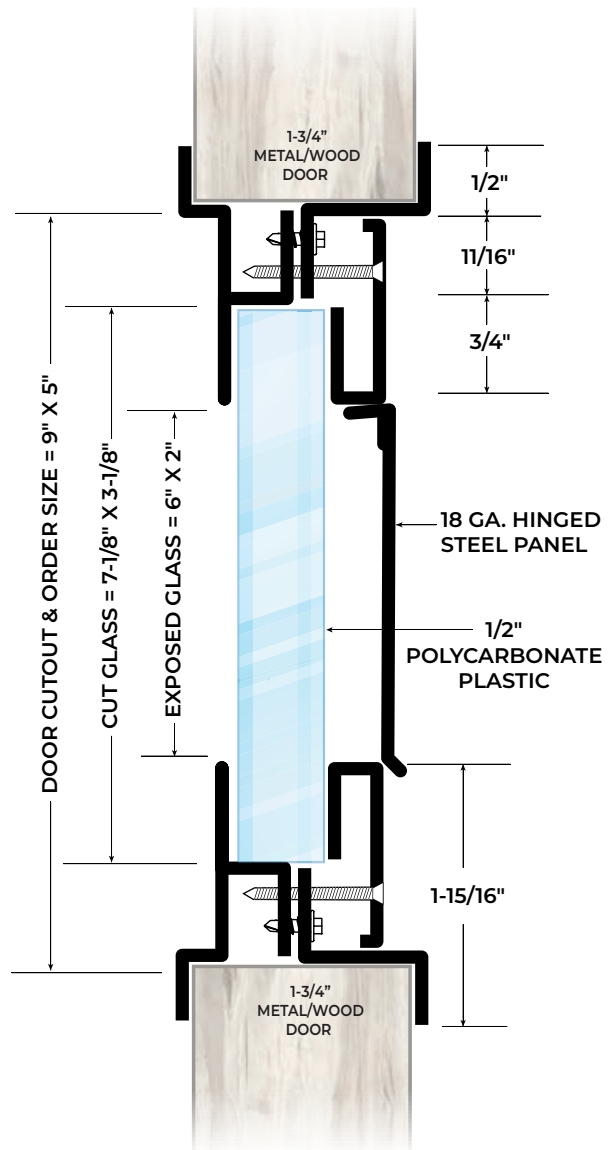
# L-VGLF-WD

## SECURITY LITE KIT - 9" X 5"

- ▶ 18 Ga. Cold Rolled Steel
- ▶ Mitered and Welded Corners
- ▶ For 1 $\frac{3}{4}$ " Hollow Metal or Wood Doors
- ▶  $\frac{1}{2}$ " Thick High Impact Polycarbonate Plastic
- ▶ 18 Ga. Steel Hinged Panel
- ▶ No Exposed Fasteners on Outside of Door
- ▶ Low-Profile Frame
- ▶ 6" X 2" Exposed Glass Size
- ▶ #8 X 1" Oval Head Tek Screws
- ▶ 2.8 Oz. Silicone Sealant Included
- ▶ Gray Primer (GPZ) Powder Coat Finish

### Available Options

- ▶ Powder Coat Color Options - See Page L3
- ▶ Torx Security Screws
- ▶ Zinc Electroplating



Not To Scale

Designed for Use on 1 $\frac{3}{4}$ " Thick Doors Manufactured Within Door Industry Tolerance of  $\pm \frac{1}{16}$ ".

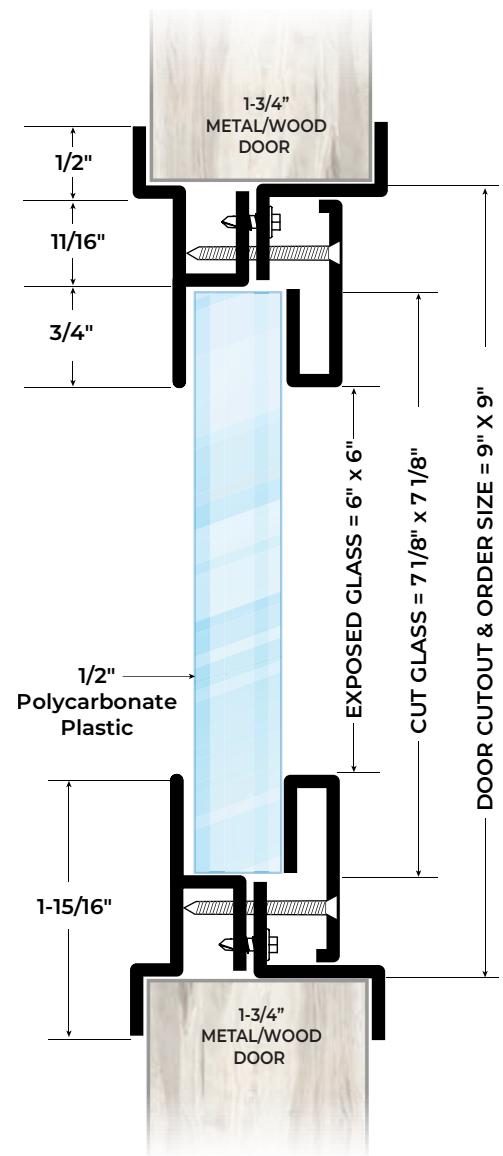
# L-VGLF-PZ

## SECURITY LITE KIT - 9" X 9"

- 18 Ga. Cold Rolled Steel
- Mitered and Welded Corners
- For 1 $\frac{3}{4}$ " Hollow Metal or Wood Doors
- $\frac{1}{2}$ " Thick High Impact Polycarbonate Plastic
- No Exposed Fasteners on Outside of Door
- Low-Profile Frame
- 6" X 6" Exposed Glass Size
- #8 X 1" Oval Head Tek Screws
- 2.8 Oz. Silicone Sealant Included
- Gray Primer (GPZ) Powder Coat Finish

### Available Options

- Powder Coat Color Options - See Page L3
- Torx Security Screws
- Zinc Electroplating



Not To Scale

Designed for Use on 1 $\frac{3}{4}$ " Thick Doors Manufactured Within Door Industry Tolerance of  $\pm \frac{1}{16}$ ".



# L-VGLF-MD, L-VGLF-MDL

## SECURITY LITE KIT

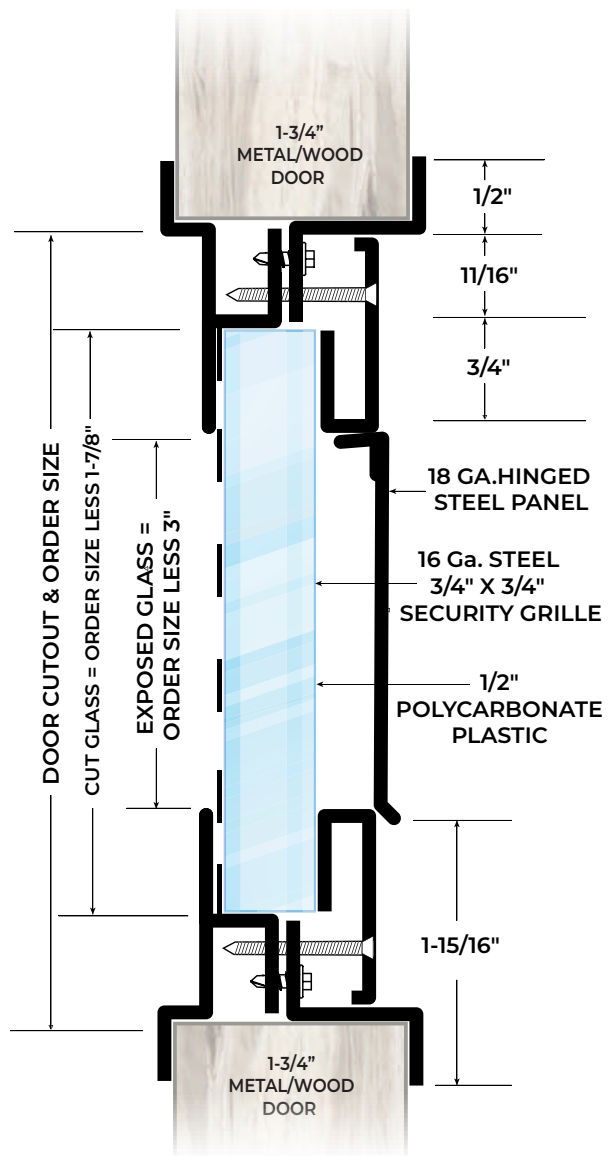
### L-VGLF-MD (9" X 9")

### L-VGLF-MDL (12" X 12")

- ▶ 18 Ga. Cold Rolled Steel
- ▶ Mitered and Welded Corners
- ▶ For 1 3/4" Hollow Metal or Wood Doors
- ▶ 1/2" Thick High Impact Polycarbonate Plastic
- ▶ 16 Ga. Steel 3/4" x 3/4" Security Grille
- ▶ 18 Ga. Steel Hinged Panel
- ▶ No Exposed Fasteners on Outside of Door
- ▶ Low-Profile Frame
- ▶ 6" X 6" Exposed Glass Size on L-VGLF-MD
- ▶ 9" X 9" Exposed Glass Size on L-VGLF-MDL
- ▶ #8 X 1" Oval Head Tek Screws
- ▶ 2.8 Oz. Silicone Sealant Included
- ▶ Gray Primer (GPZ) Powder Coat Finish

#### Available Options

- ▶ Powder Coat Color Options - See Page L3
- ▶ Torx Security Screws
- ▶ Zinc Electroplating



Not To Scale

Designed for Use on 1 3/4" Thick Doors Manufactured Within Door Industry Tolerance of +/- 1/16".

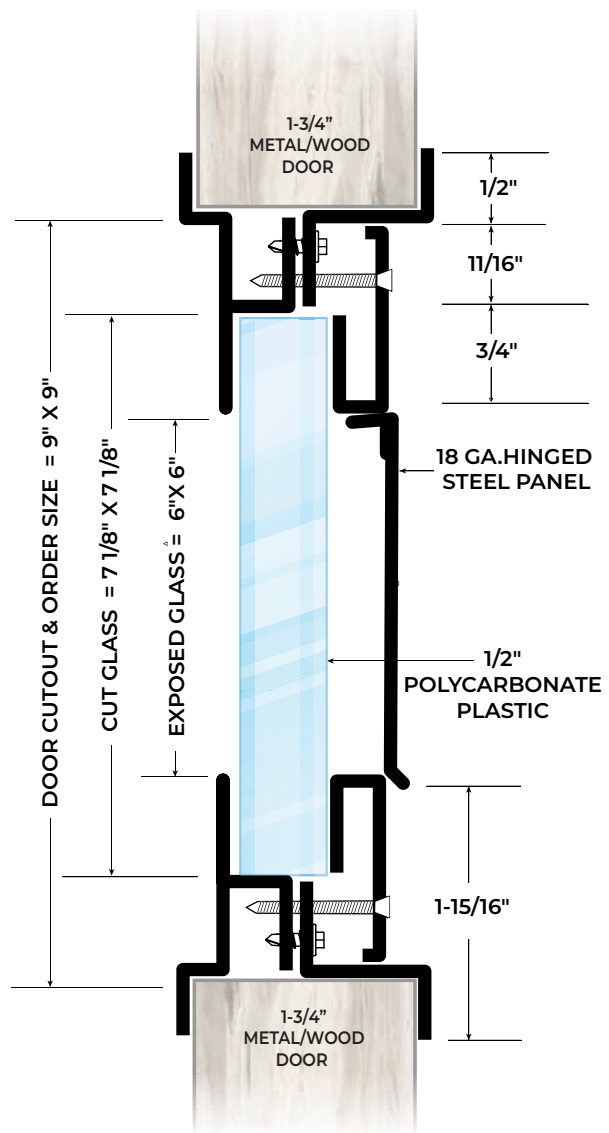
# L-VGLF-OG

## SECURITY LITE KIT - 9" X 9"

- 18 Ga. Cold Rolled Steel
- Mitered and Welded Corners
- For 1 $\frac{3}{4}$ " Hollow Metal or Wood Doors
- $\frac{1}{2}$ " Thick High Impact Polycarbonate Plastic
- 18 Ga. Steel Hinged Panel
- No Exposed Fasteners on Outside of Door
- Low-Profile Frame
- 6" X 6" Exposed Glass Size
- #8 X 1" Oval Head Tek Screws
- 2.8 Oz. Silicone Sealant Included
- Gray Primer (GPZ) Powder Coat Finish

### Available Options

- Powder Coat Color Options - See Page L3
- Torx Security Screws
- Zinc Electroplating



Not To Scale

Designed for Use on 1 $\frac{3}{4}$ " Thick Doors Manufactured Within Door Industry Tolerance of  $\pm \frac{1}{16}$ ".

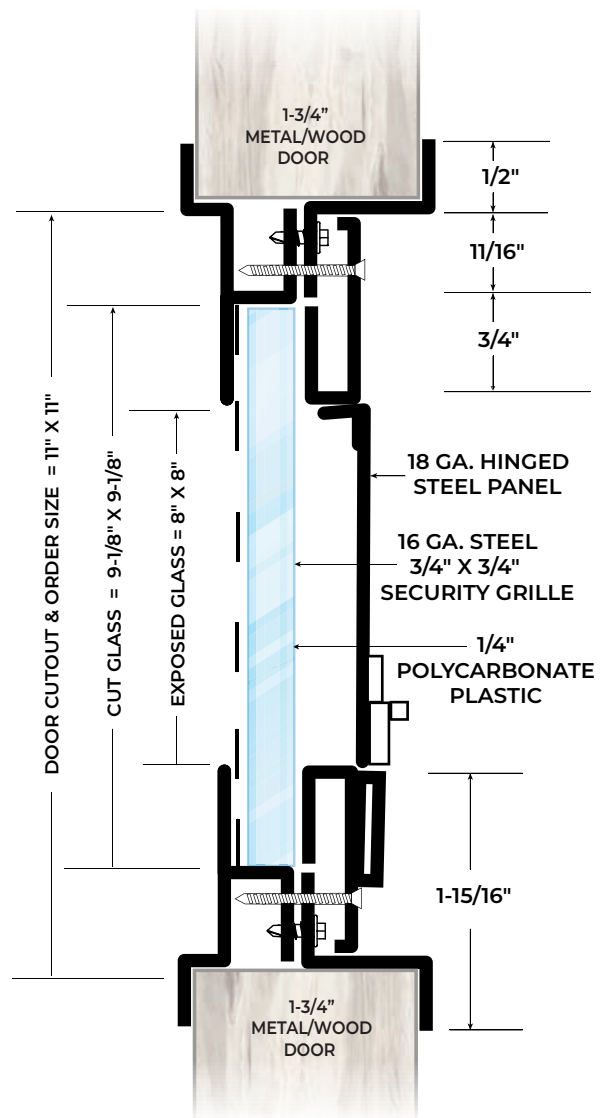
# L-VGLF-SF

## SECURITY LITE KIT – 11" X 11"

- 18 Ga. Cold Rolled Steel
- Mitered and Welded Corners
- For 1 $\frac{3}{4}$ " Hollow Metal or Wood Doors
- $\frac{1}{4}$ " Thick High Impact Polycarbonate Plastic
- 16 Ga. Steel  $\frac{3}{4}$ " x  $\frac{3}{4}$ " Security Grille
- 18 Ga. Steel Hinged Panel With Bolt Latch
- No Exposed Fasteners on Outside of Door
- Low-Profile Frame
- 8" X 8" Exposed Glass Size
- #8 X  $\frac{3}{4}$ " Oval Head Tek Screws
- 2.8 Oz. Silicone Sealant Included
- Gray Primer (GPZ) Powder Coat Finish

### Available Options

- Powder Coat Color Options - See Page L3
- Torx Security Screws
- Zinc Electroplating



Not To Scale

Designed for Use on 1 $\frac{3}{4}$ " Thick Doors Manufactured Within Door Industry Tolerance of  $\pm \frac{1}{16}$ ".

# L-FRA100-RD

## ROUND LITE KIT

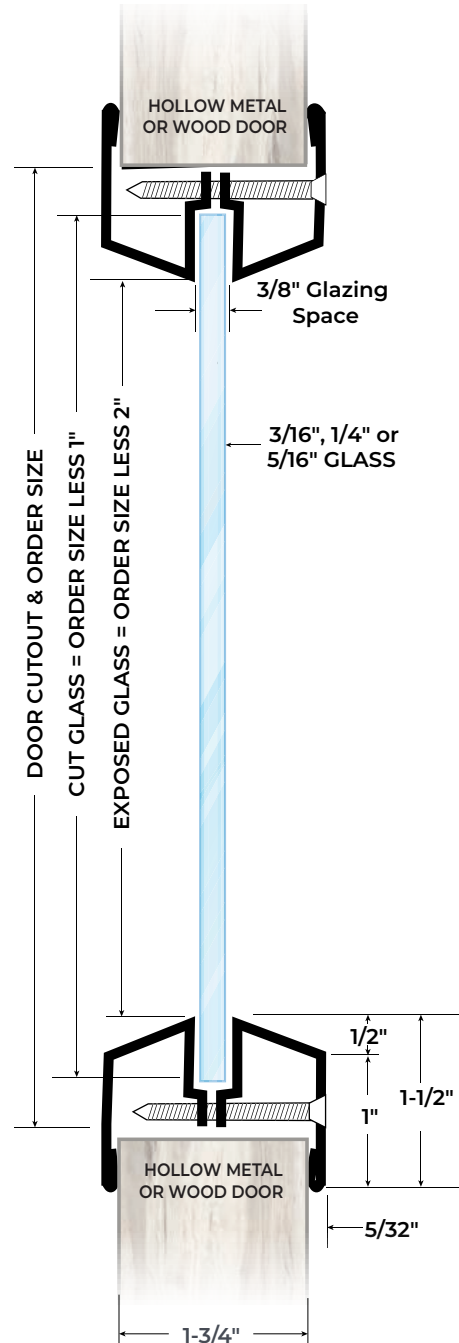
**FOR 1 3/4" THICK DOORS AND 3/16",  
1/4", OR 5/16" GLASS**



- 20 Ga. Cold Rolled Steel (12" and 18")
- Available in 12", 18" and 24" Sizes
- 18 Ga. Cold Rolled Steel (24")
- Countersunk Mounting Screw-Holes
- #8 X 1 3/4" Phillips Head SMS
- Gray Primer

### Available Options

- Powder Coat Color Options - See Page L3
- Torx Security Screws
- Zinc Electroplating
- Glass & Glazing Tape - See Glass Section



Not To Scale

Designed for Use on 1 3/4" Thick Doors Manufactured  
Within Door Industry Tolerance of +/- 1/16".

# LO-FP

## ROUND LITE KIT

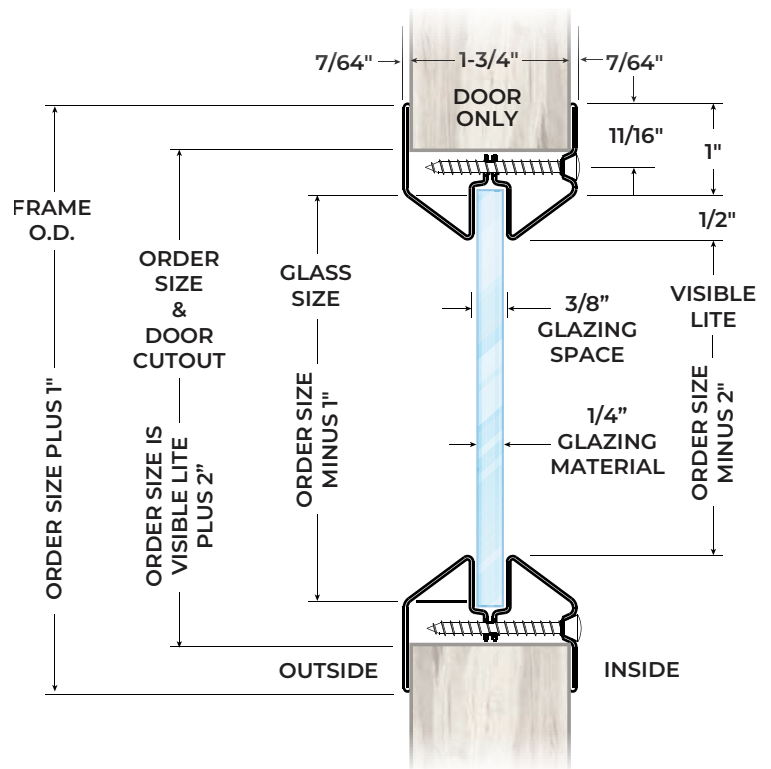
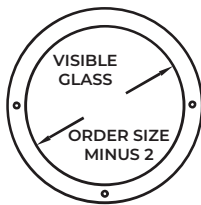
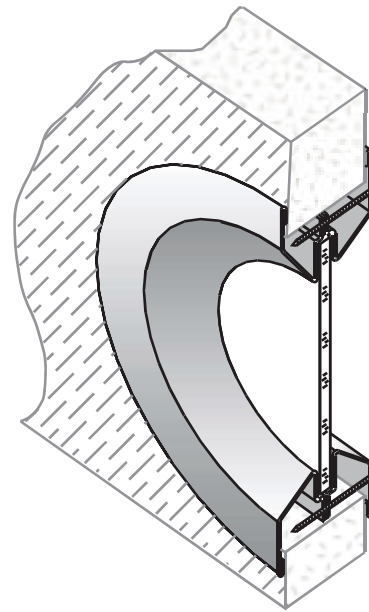
**FOR 1 3/4" THICK DOORS AND 3/16", 1/4", OR 5/16" GLASS**



- 20 Ga. Galvanized Steel
- Available in 12" and 18" Sizes
- Countersunk Mounting Screw-Holes
- #8 X 1 3/4" Phillips Head SMS
- Gray Primer

### Available Options

- Powder Coat Color Options - See Page L3
- Torx Security Screws
- Zinc Electroplating
- Glass & Glazing Tape - See Glass Section



Not To Scale

Designed for Use on 1 3/4" Thick Doors Manufactured Within Door Industry Tolerance of +/- 1/16".

# LO-FP-IS

## ROUND LITE KIT

### FOR 1 3/8" OR 1 3/4" THICK DOORS AND 3/16" TO 1" GLASS

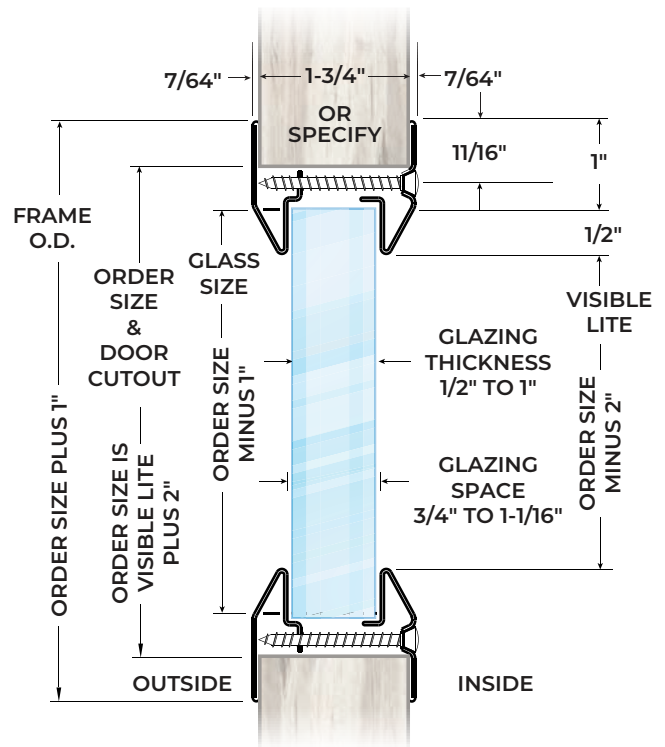
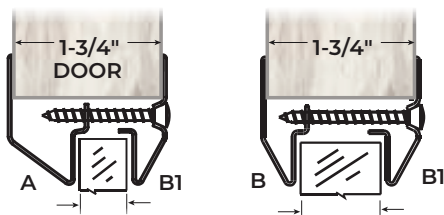
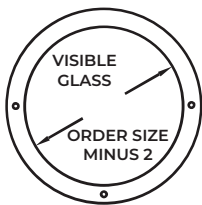
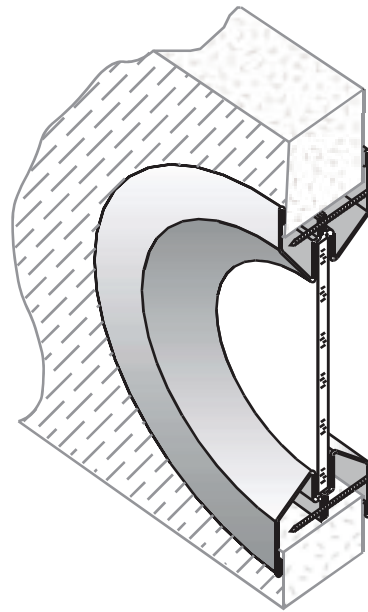
- 20 Ga. Galvanized Steel
- Available in 12" and 18" Sizes
- Countersunk Mounting Screw-Holes
- #8 X 1 3/4" Phillips Head SMS
- Gray Primer

#### Required Information

- Specify Glass Thickness on Order
- Specify Door Thickness on Order if Other Than 1 3/4"
- See Page L11 for Possible Door and Glass Thickness Combinations

#### Available Options

- Powder Coat Color Options - See Page L3
- Torx Security Screws
- Zinc Electroplating
- Glass & Glazing Tape - See Glass Section



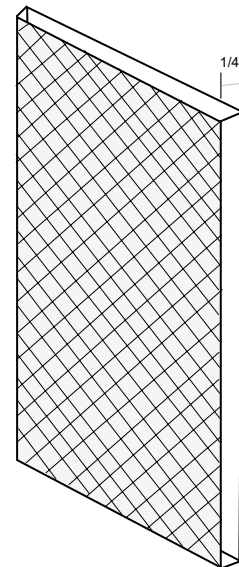
Not To Scale

Designed for Use on 1 3/4" Thick Doors Manufactured Within Door Industry Tolerance of +/- 1/16".

# PROTECT3™

## FIRE-PROTECTIVE SAFETY-WIRED GLASS

- ¼" (6mm) Thick
- Fits Standard L-FRA100 and L-GLF100 Lite Kits
- ¾" X ¾" Diamond Pattern Electrically Welded Steel Wire Mesh
- Heavy-Duty Fire-Rated and Impact-Safety Rated Film
- Maintains Integrity When Fractured or Subjected to a Hose Stream
- Etched With UL Classification on Each Piece
- Weight: 3.6 Lbs./Sq. Ft.
- STC 28 Rating



### Fire-Rating Information

- Certified by UL to ANSI/UL 9, ANSI/UL10B, ANSI/UL10C, CAN/ULC-S104, ULC CAN4-S106 With Closed Cell PVC Foam Glazing Tape Like NGP L-GT-116, L-GT-118, L-GT-132 or L-GT-316

Rating	Application	Max. Visible Glass Area (Sq. Inches)	Max. Width Visible Glass	Max. Height Visible Glass
20, 45 Minute	Doors*, Borrowed Lites	1,296	54"	54"
60, 90 Minute	Doors*	100	12"	33"

\*With Fire-Rated Glass Lite Kit

### Impact Safety Rating Information:

Meets ANSI Z97.1, Class A

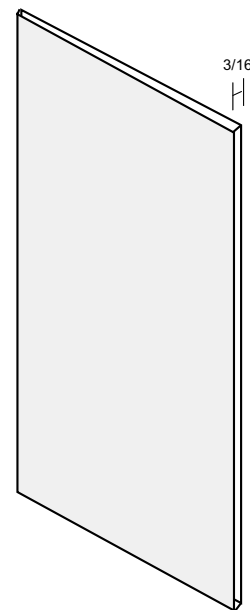
Meets CPSC 16CFR 1201 (Category I and II)

Complies With IBC Requirements for Use in Doors, Side-Lites, Transom Lites and Borrowed Lites.

# PYRAN® PLATINUM F

## FIRE-PROTECTIVE SAFETY GLASS CERAMIC

- ▶ 3/16" (5mm) Thick Glass Ceramic
- ▶ Heavy-Duty 7 Mil Durable Safety Film
- ▶ Neutral Coloration - Clear and Wireless
- ▶ Advanced Manufacturing Process Eliminates the Need for Surface Polishing
- ▶ Etched With UL Classification on Each Piece
- ▶ 10-Year Manufacturer Warranty
- ▶ Weight: 2.5 Lbs./Sq. Ft.
- ▶ STC 31 Rating



### Fire-Rating Information

- ▶ Certified by UL to ANSI/UL 9, ANSI/UL10B, ANSI/UL10C, CAN/ULC-S104, ULC CAN4-S106 With Closed Cell PVC Foam Glazing Tape Like NGP L-GT-116, L-GT-118, or L-GT-132
- ▶ IBC Applicable Edition May Limit Maximum Size Allowable

Rating	Application	Max. Visible Glass Area (Sq. Inches)	Max. Width Visible Glass	Max. Height Visible Glass
20, 45, 60, 90 Minute	Doors* (Non-Temp Rise)	3,708	37 3/4"	98 1/4"
20, 45, 60, 90 Minute	Side-Lites, Borrowed Lites, Transom Lites	4,933	98 1/4"	98 1/4"
180 Minutes	Doors* Including Temp-Rise	100	12"	33"

\*With Fire-Rated Glass Lite Kit

### Impact Safety Rating Information

Meets ANSI Z97.1, Class A

Meets CPSC 16CFR 1201 (Category I and II)

Complies With IBC Requirements for Use in Doors, Side-Lites, Transom Lites and Borrowed Lites.



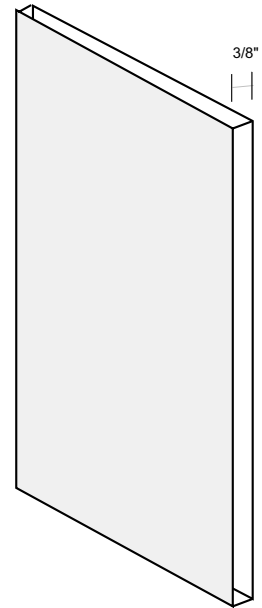
# PYRAN<sup>®</sup> PLATINUM L

## FIRE-PROTECTIVE SAFETY GLASS CERAMIC

- ▶ 3/8" (5mm) Thick Laminated Glass Ceramic
- ▶ Neutral Coloration - Clear and Wireless
- ▶ Advanced Manufacturing Process Eliminates the Need for Surface Polishing
- ▶ Etched With UL Classification on Each Piece
- ▶ 5-Year Manufacturer Warranty
- ▶ Weight: 4 Lbs./Sq. Ft.
- ▶ STC 36 Rating

### Fire-Rating Information

- ▶ Certified by UL to ANSI/UL 9, ANSI/UL10B, ANSI/UL10C, CAN/ULC-S104, ULC CAN4-S106 With Closed Cell PVC Foam Glazing Tape Like NGP L-GT-116, L-GT-118, or L-GT-132
- ▶ IBC Applicable Edition May Limit Maximum Size Allowable



Rating	Application	Max. Visible Glass Area (Sq. Inches)	Max. Width Visible Glass	Max. Height Visible Glass
20, 45, 60, 90 Minute	Doors* (Non-Temp Rise)	2,736	36"	75"
20, 45, 60, 90 Minute	Side-Lites, Borrowed Lites, Transom Lites	3,143	75"	75"
180 Minutes	Doors* Including Temp-Rise	100	12"	33"

\*With Fire-Rated Glass Lite Kit

### Impact Safety Rating Information

Meets ANSI Z97.1, Class A

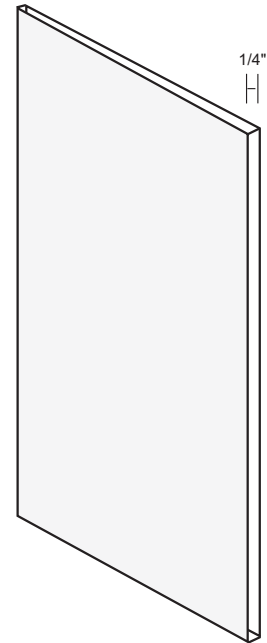
Meets CPSC 16CFR 1201 (Category I and II)

Complies With IBC Requirements for Use in Doors, Side-Lites, Transom Lites and Borrowed Lites.

# 20T™

## 20-MINUTE FIRE-PROTECTIVE GLASS

- ▶ 1/4" Thick Tempered Fire-Rated Glass
- ▶ Superior Optical Clarity – Clear and Wireless
- ▶ Economical Fire and Safety Rated Glass
- ▶ Etched With Fire and Impact Safety Classification on Each Piece
- ▶ This Glass is Cut to Size Then Heat Treated (Tempered) to Achieve Its Safety Rating Properties
- ▶ Orders for this Product are Non-Changeable and Non-Cancellable
- ▶ Manufactured in USA
- ▶ Weight: 3 Lbs./Sq. Ft.
- ▶ STC 28 Rating



### Fire-Rating Information

- ▶ Certified by UL to ANSI/UL10C, With Closed Cell PVC Foam Glazing Tape Like NGP L-GT-116, L-GT-118, L-GT-132, or L-GT-316

Rating	Application	Max. Visible Glass Area (Sq. Inches)	Max. Width Visible Glass	Max. Height Visible Glass
20 Minute No Hose Stream	Doors*	2,924	34"	86"

\*With Fire-Rated Glass Lite Kit

### Impact Safety Rating Information

Meets ANSI Z97.1, Class A

Meets CPSC 16CFR 1201 (Category I and II)

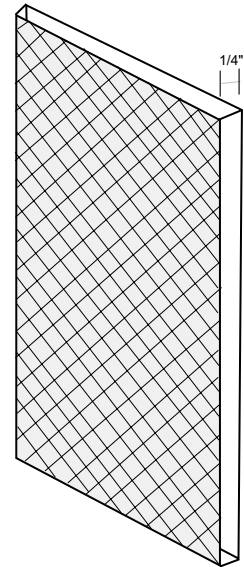
Complies With IBC Requirements for Use in Doors

# FIRE-PROTECTIVE WIRED GLASS

- ▶ ¼" (7mm) Thick
- ▶ ¾" X ¾" Diamond Pattern Electrically Welded Steel Wire Mesh
- ▶ Clear Glass - Ground and Polished Both Sides
- ▶ Maintains Integrity When Fractured or Subjected to a Hose Stream
- ▶ Etched With UL Classification on Each Piece
- ▶ Weight: 3 Lbs./Sq. Ft.
- ▶ STC 28 Rating

## Fire-Rating Information

- ▶ Certified by UL to ANSI/UL10C: 20 min. With Closed Cell PVC Foam Glazing Tape Like NGP L-GT-116, L-GT-118, or L-GT-132  
45, 60 & 90 Min. With NGP 9800C Intumescent Glazing Tape
- ▶ Certified by UL to ANSI/UL9 With Closed Cell PVC Glazing Tape Like NGP L-GT-116, L-GT-118, L-GT-132



Rating	Max. Visible Glass Area (Sq. Inches)	Max. Width Visible Glass	Max. Height Visible Glass
20, 45 Minute	1,296	54"	54"
60, 90 Minute	100	12"	33"

*With Fire-Rated Glass Lite Kit*

## Impact Safety Rating Information

Meets ANSI Z97.1, Class C

Does **NOT** Comply With IBC 2006 or Newer Requirements for Use in Doors or Sidelights. Allowed Only in Non-Hazardous Locations Defined in IBC

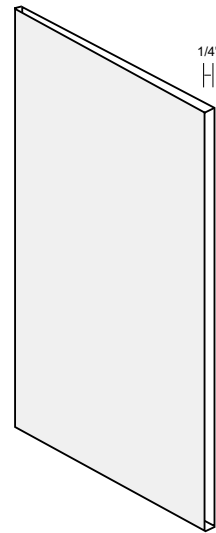
# TEMPERED GLASS

---

- ▶ 1/4" Thick Clear Heat Treated Glass
- ▶ Approximately 4 Times Stronger Than Annealed (Ordinary) Glass
- ▶ Breaks Into Small Harmless Fragments
- ▶ Can **NOT** Be Cut After Manufacturing
- ▶ 11" Minimum Height
- ▶ Manufactured in USA
- ▶ **NOT** Fire-Rated
- ▶ STC 31 Rating

## Impact Safety Rating Information

Complies With IBC Requirements for Use in Doors.  
Meets ANSI Z97.1 Class A and CPSC 16CFR 1201 (CAT I and II).



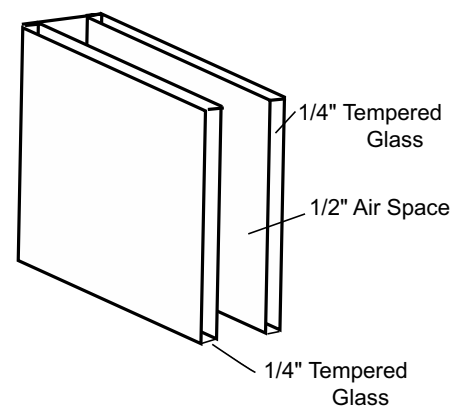
# INSULATED TEMPERED GLASS

---

- ▶ 1" Thick - Consists of Two Pieces of 1/4" Thick Clear Tempered Glass With 1/2" Air Space Between and Butyl Seal
- ▶ Increased Energy Efficiency
- ▶ Approximately 4 Times Stronger Than Annealed (Ordinary) Glass
- ▶ Breaks Into Small Harmless Fragments
- ▶ Can **NOT** Be Cut After Manufacturing
- ▶ Manufactured in USA
- ▶ 5-Year Manufacturer Warranty
- ▶ **NOT** Fire-Rated
- ▶ STC 35 Rating

## Impact Safety Rating Information

Complies With IBC Requirements for Use in Doors.  
Meets ANSI Z97.1 Class A and CPSC 16CFR 1201 (CAT I and II).

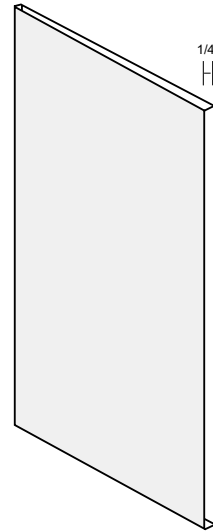


# LAMINATED GLASS

- ▶ 1/4" Thick Laminated Architectural Glass
- ▶ Comprised of Two Plies of Glass and a .030" PVB Interlayer
- ▶ Manufactured in USA
- ▶ **NOT** Fire-Rated
- ▶ STC 35 Rating

## Impact Safety Rating Information

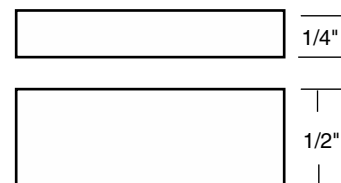
Complies With IBC Requirements for Use in Doors.  
Meets ANSI Z97.1 Class A and CPSC 16CFR 1201 (CAT I and II).



# POLYCARBONATE HIGH IMPACT

- ▶ Burglary-Resisting Material. Meets UL Standard 972
- ▶ Available in 1/4", 1/2" Thicknesses (Specify on Order)
- ▶ Colorless Transparent Sheet
- ▶ Virtually Unbreakable - 300 Times Stronger Than Ordinary Glass
- ▶ Unlikely to Shatter or Chip When Bombarded With Thrown Rocks, Bricks or Bottles.
- ▶ UV Stabilized to Resist Solar Exposure
- ▶ Manufactured in USA
- ▶ 5-Year Manufacturer Warranty
- ▶ **NOT** Fire-Rated
- ▶ Acoustical Ratings: 1/4" = STC 29  
1/2" = STC 34

## Thicknesses Available



## Impact Safety Rating Information

Complies With IBC Requirements for Use in Doors.  
Meets ANSI Z97.1 Class A and CPSC 16CFR 1201 (CAT I and II).

# GLAZING TAPE

## CLOSED CELL PVC FOAM

---

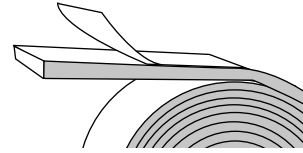
**L-GT-114** – 3/8" Wide x 1/4" Thick - 50' Rolls

**L-GT-116** – 3/8" Wide x 1/16" Thick - 200' Rolls

**L-GT-118** – 3/8" Wide x 3/8" Thick - 100' Rolls

**L-GT-132** – 3/8" Wide x 1/32" Thick - 200' Rolls

**L-GT-316** – 3/8" Wide x 3/16" Thick - 50' Rolls



- ▶ Closed Cell PVC Foam Glazing Tape With Adhesive Both Sides
- ▶ Color is Black
- ▶ For Use in Lite Kits on UL10C Positive Pressure Fire-Rated Wood or Steel Doors  
Rated Up To:
  - ▶ 20 Minutes With 20T™ or Fire Protective Wired Glass
  - ▶ 90 Minutes With Protect3™
  - ▶ 180 Minutes With Pyran® Platinum F or Pyran® Platinum L

## INTUMESCENT

**9800C** 1/2" Wide x 1/16" Thick - 17', 21' and 150' Rolls

- ▶ Self-Adhesive Glazing Tape With Protective Skin
- ▶ Color is Black

## BUTYL RUBBER

**L-GT-16** 3/8" Wide x 1/16" Thick - 50' Rolls

- ▶ Butyl Rubber Glazing Tape With Adhesive Both Sides
- ▶ Color is Black

# L-MINI BLINDS 1" IGU

## GLASS WITH INTEGRATED MINI BLINDS

---

### Mini Blind Insulated Glass Units are for Lite Kit and Borrowed Lite Applications.

- Commercial Grade Hermetically Sealed Venetian Blind System Inside Insulating Glass Unit – 1" Thick
- Interior or Exterior Applications
- Clear Tempered Safety Glass Both Sides
- Magnetic Slider, Placed on the Right or Left-Hand Side of the Glass for Tilting, Lowering and Raising Functions
- Minimum Width 8 5/8", Maximum Width 35 3/4"
- Minimum Height 14", Maximum Height 80"
- Fits Low Profile L-FRA100-SP Lite Kit
- Standard Blind Color is White
- Orders for this Product are Non-Changeable and Non-Cancellable

### Premium Blind Colors Available at Additional Charge

- Aluminum Silver (Silver Moon)
- Beige (Sand)
- California Bronze (Espresso)
- Magnolia White (White)
- Slate Gray
- Tan

### Impact Safety Rating Information

- Meets ANSI Z97.1, Class A
- Meets CPSC 16CFR 1201 (Category I and II)
- Complies With IBC Requirements for Use in Doors



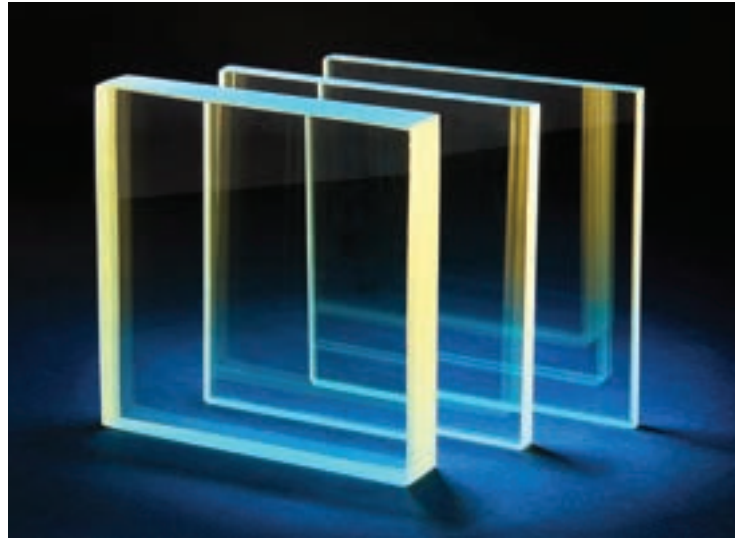
# SPECIALTY GLASS

---

Specialty Glass is Available for Lite Kit and Borrowed Lite Applications. Contact Us With the Specification Requirements for a Quote and Lead Time.

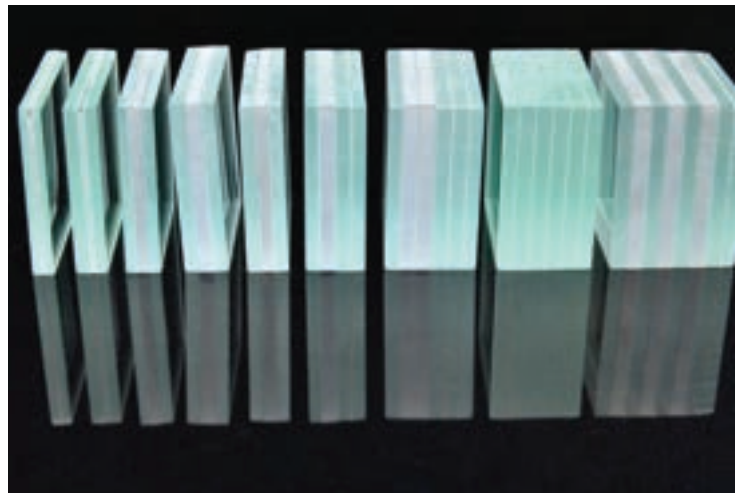
## Radiation Shielding (Lead X-Ray Glass)

- ▶ Thickness =  $\frac{3}{8}$ " to  $\frac{5}{8}$ "
- ▶ Lead Equivalency =  $\frac{1}{16}$ " to  $\frac{1}{8}$ "
- ▶ Laminated Available
- ▶ Glass Sizes Available Up To 48" x 96"



## Security Glazing

- ▶ Security, Blast and Bullet Resistant Options
- ▶ UL 752 Ballistic Levels 3
- ▶ With Spall Protection
- ▶ Thickness = 1½"
- ▶ Maximum Glass Sizes 70 7/8" x 94 ½"
- ▶ Other Ballistic Levels Available on Special Order





# L-700-RX, AFDL

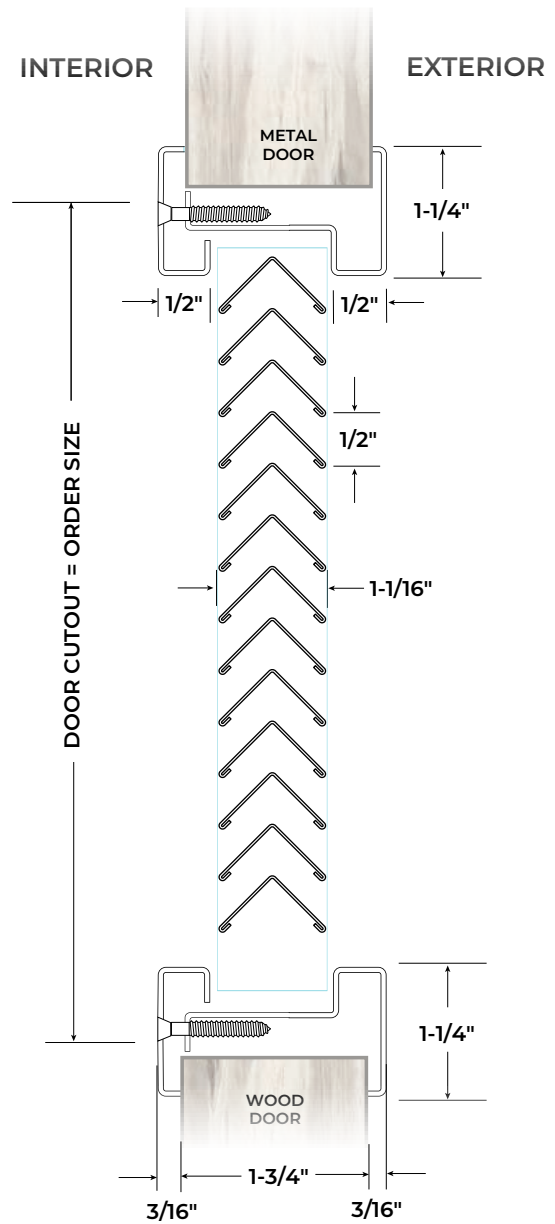
## NO VISION DOOR LOUVER

### FOR 1 3/4" THICK DOORS

- 18 Ga. Cold Rolled Steel
- Mitered and Welded Corners
- Welded Reinforcing Clips at Corners
- Inverted "V" Design
- Blades 24 Ga. Steel; Hemmed Edges
- Countersunk Mounting Screw-Holes
- #8 X 3/4" Phillips Head SMS
- Available in Uneven and Fractional Sizes
- Free Area 55%
- Gray Primer (GPZ) Powder Coat Finish

### Available Options

- Powder Coat Color Options - See Page L3
- Aluminum Insect Screen - 22 Ga. 1/8" Square Mesh Installed on Exterior Side Unless Requested Otherwise
- Torx Security Screws
- Galvanneal - A40 Steel
- Zinc Electroplating (Not Available on Insect Screen)



Not To Scale

Undersized 1/8" for Clearance

Designed for Use on 1 3/4" Thick Doors Manufactured Within Door Industry Tolerance of +/- 1/16".

# FDLS

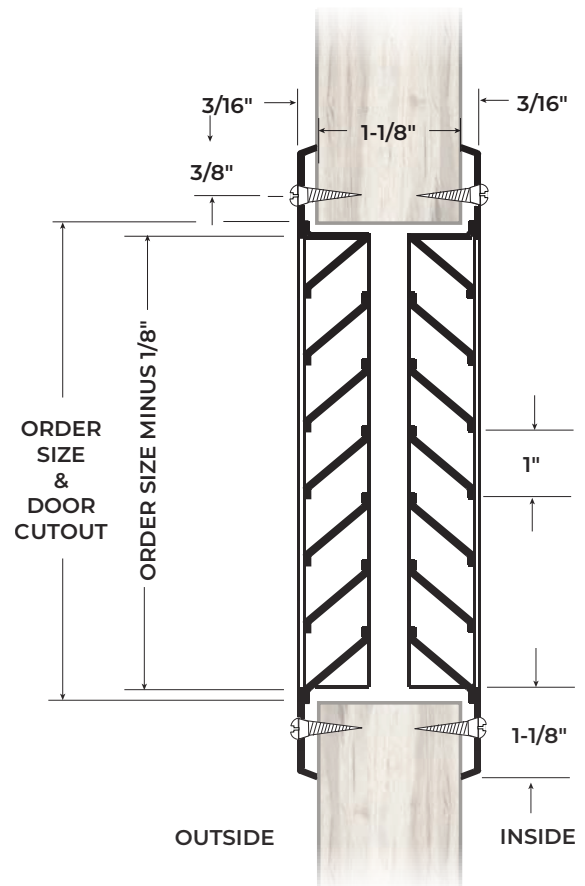
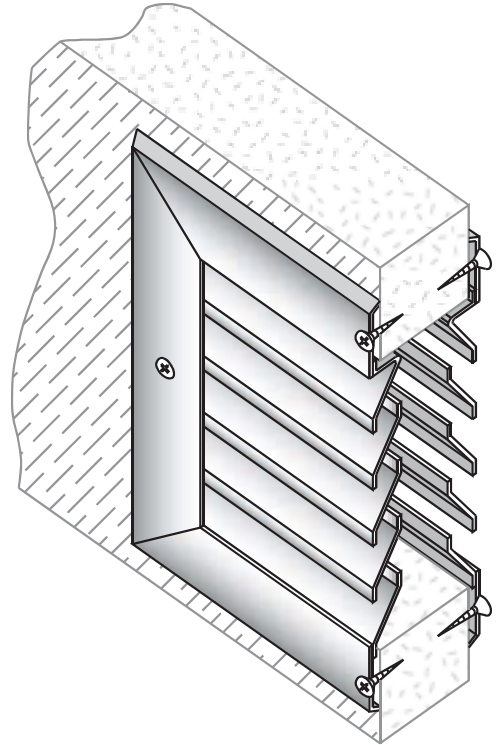
## INVERTED SPLIT Y NO VISION DOOR LOUVER

### FOR 1 1/8" AND OVER THICK DOORS

- 18 Ga. Cold Rolled Steel
- Mitered and Welded Corners
- Countersunk Mounting Screw-Holes
- #8 X 3/4" Phillips Head SMS
- Available in Uneven and Fractional Sizes
  - Fractional Sizes Fabricated with 1 1/2" Frame
- Free Area 50%
- Gray Primer (GPZ) Powder Coat Finish

### Available Options

- Powder Coat Color Options - See Page L3
- Aluminum Insect Screen - 22 Ga. 1/8" Square Mesh Installed on Exterior Side Unless Requested Otherwise
- Torx Security Screws
- Electrogalvanized Steel
- Zinc Electroplating (Not Available on Insect Screen)



# L-700 SERIES

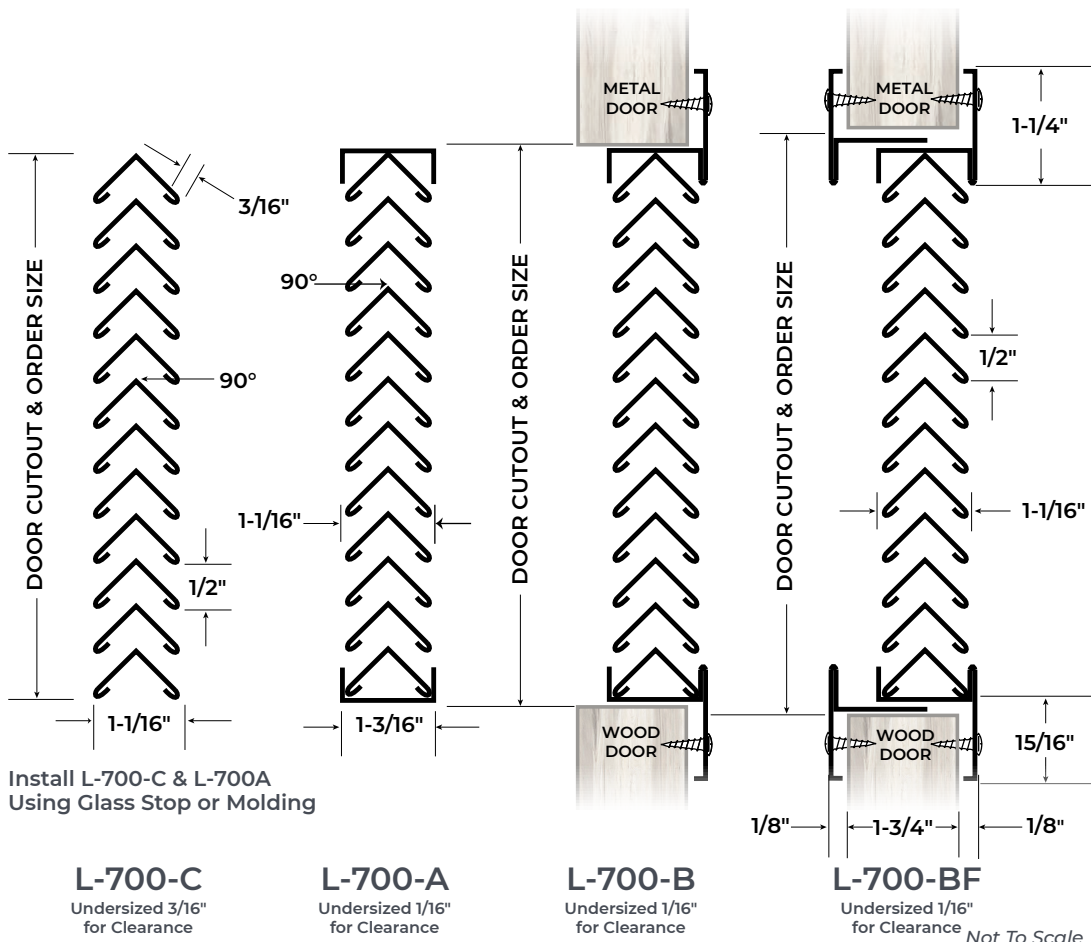
## NO VISION DOOR AND PARTITION LOUVER

### FOR 1 3/8", 1 3/4" UP TO 2 1/4" THICK DOORS

- 20 Ga. Cold Rolled Steel Frame
- Mitered and Welded Corners
- Welded Reinforcing Clips at Corners
- Inverted "V" Design
- Blades 24 Ga. Steel; Hemmed Edges
- Countersunk Mounting Screw-Holes
- #8 X 3/4" Phillips Head SMS
- Available in Uneven and Fractional Sizes
- Free Area 55%
- Gray Primer (GPZ) Powder Coat Finish

### Available Options

- Powder Coat Color Options - See Page L3
- Thru-Bolts (TB) for 1 3/4" Thick Doors
- Aluminum Insect Screen - 22 Ga. 3/8" Square Mesh  
Installed on Exterior Side Unless Requested Otherwise
- Torx Security Screws
- Galvanneal - A40 Steel
- Zinc Electroplating (Not Available on Insect Screen)



# L-700-RX-316SS, L-700-A-316SS

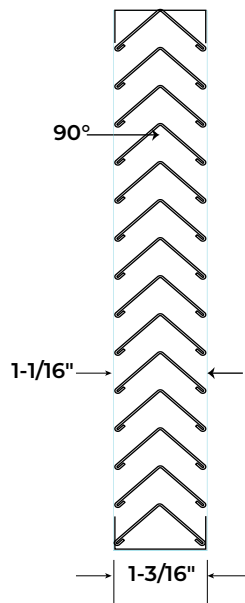
## STAINLESS STEEL NO VISION DOOR LOUVER

### FOR 1 3/4" THICK DOORS

- ▶ 18 Ga. Type 316 Stainless Steel Frame
- ▶ Mitered and Welded Corners
- ▶ Inverted "V" Design
- ▶ Blades 24 Ga. Hemmed Edges
- ▶ Type 316 Stainless Steel
- ▶ Countersunk Mounting Screw-Holes
- ▶ #8 X 1" Phillips Head SMS
- ▶ Free Area 55%
- ▶ #4 Satin Finish
- ▶ Stock Sizes:
  - 12" x 12"    24" x 12"
  - 18" x 12"    24" x 18"
  - 18" x 18"    24" x 24"

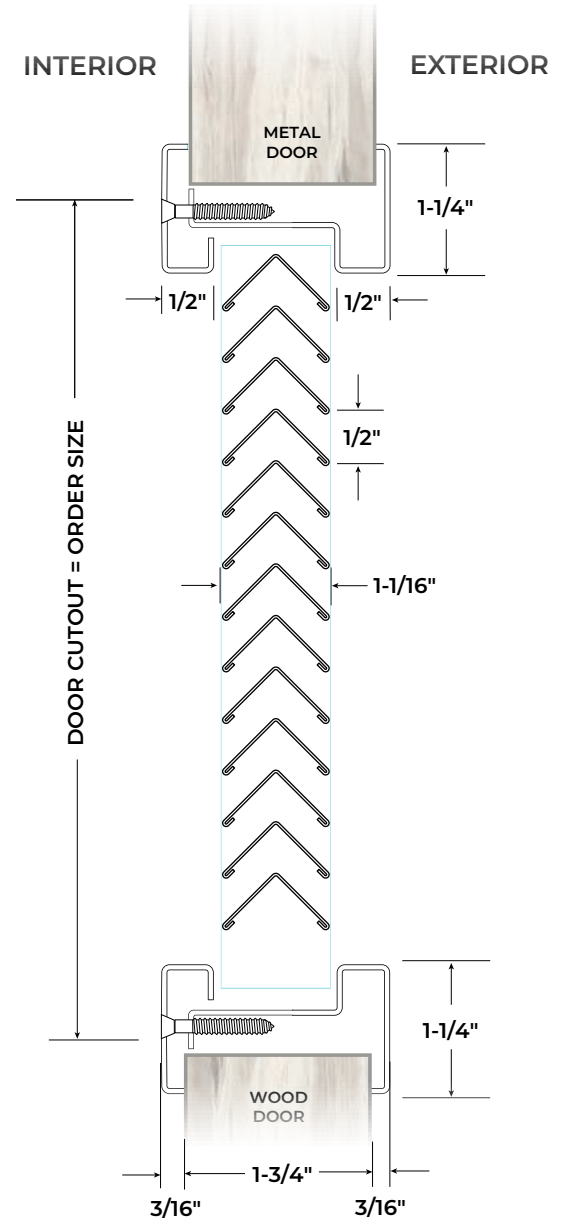
### Available Options

- ▶ Torx Security Screws



**L-700-A-316SS**

Undersized 1/16" for Clearance



**L-700-RX-316SS**

Not To Scale

Undersized 1/16" for Clearance

Designed for Use on 1 3/4" Thick Doors Manufactured Within Door Industry Tolerance of +/- 1/16".

# FDLS-316SS

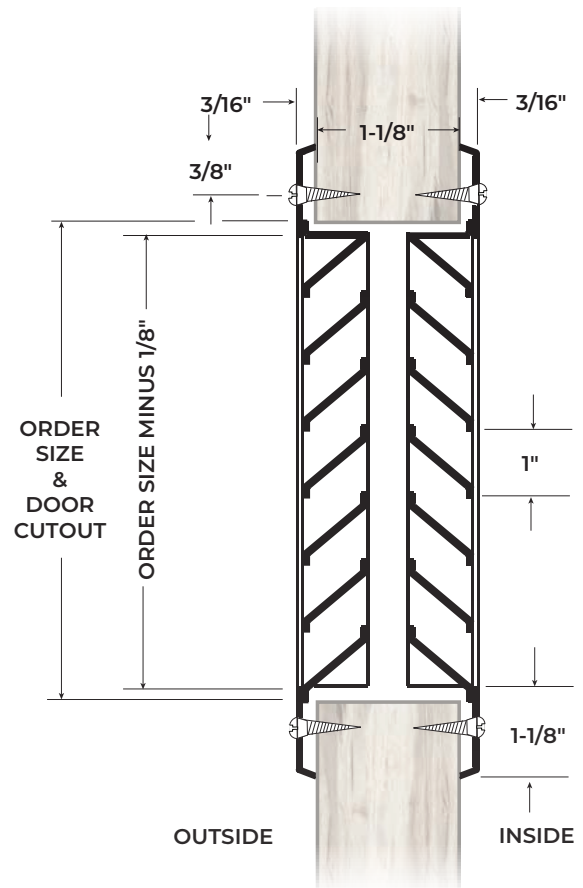
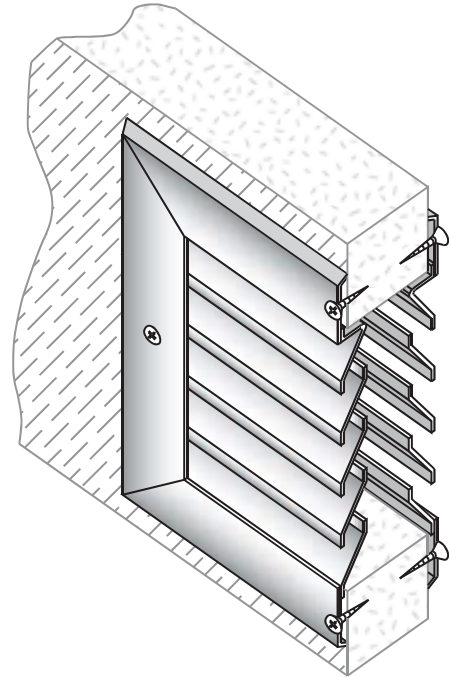
## STAINLESS STEEL INVERTED SPLIT Y NO VISION DOOR LOUVER

### FOR 1 1/8" AND OVER THICK DOORS

- ▶ 18 Ga. Type 316 Stainless Steel
- ▶ Mitered and Welded Corners
- ▶ Countersunk Mounting Screw-Holes
- ▶ #8 X 3/4" Phillips Head SMS
- ▶ Free Area 50%
- ▶ #4 Satin Finish
- ▶ Stock Sizes:
  - 12" x 12" 24" x 12"
  - 18" x 12" 24" x 18"
  - 18" x 18" 24" x 24"

### Available Options

- ▶ Torx Security Screws



Not To Scale

# L-A700 SERIES

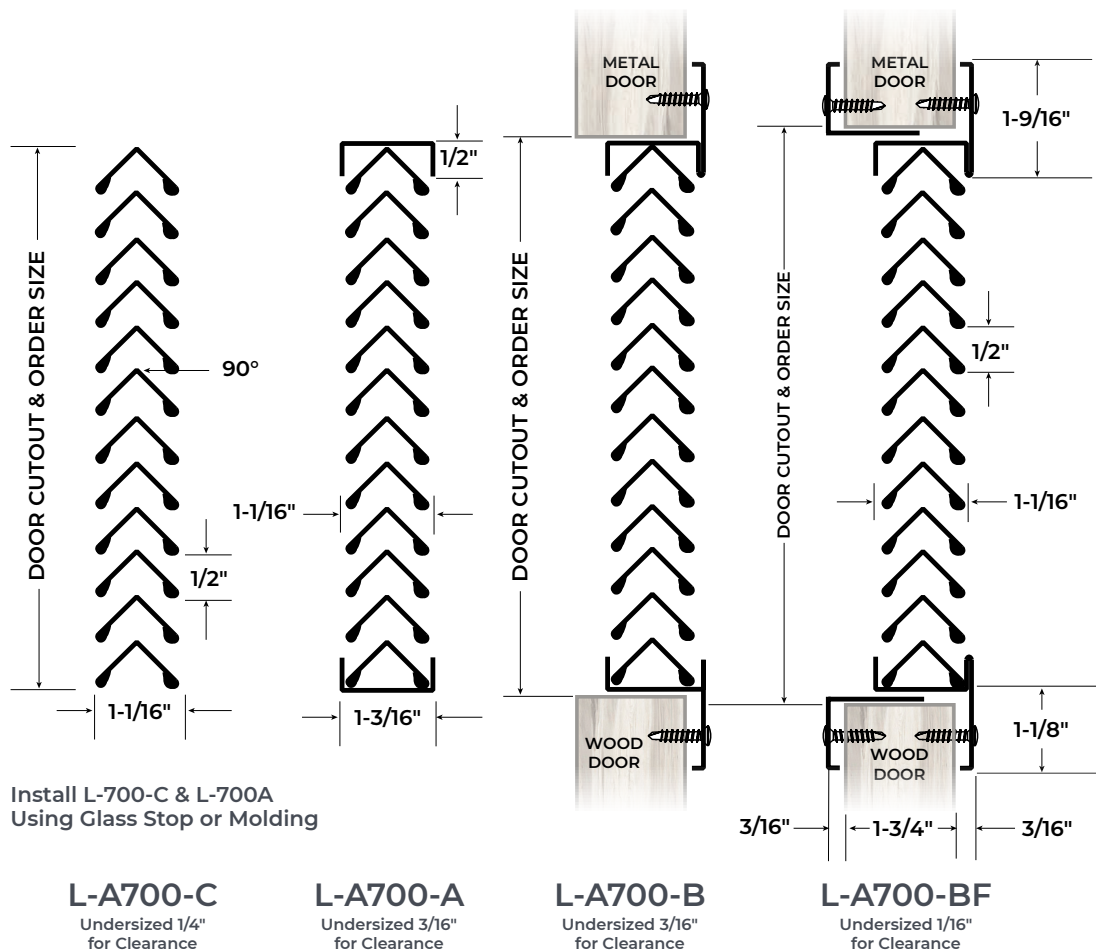
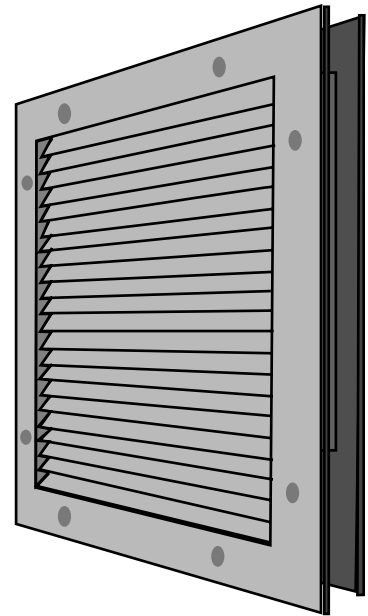
## ALUMINUM NO VISION DOOR AND PARTITION LOUVER

### FOR 1 3/8", 1 3/4" UP TO 2 1/4" THICK DOORS

- ▶ Frame .050" Extruded Aluminum
- ▶ Blades .050" Extruded Aluminum
- ▶ Mitered Corners Secured With Reinforcing Clips
- ▶ Inverted "V" Design
- ▶ Countersunk Mounting Screw-Holes
- ▶ #8 X 3/4" Phillips Head SMS
- ▶ Available in Uneven and Fractional Sizes
- ▶ Free Area 55%
- ▶ Aluminum Silver (ASL) Powder Coat Finish

### Available Options

- ▶ Powder Coat Color Options - See Page L3
- ▶ For Exterior Use Specify Drainage Weep Holes
- ▶ Thru-Bolts (TB) for 1 3/4" Thick Doors
- ▶ Aluminum Insect Screen - 22 Ga. 1/8" Square Mesh  
Installed on Exterior Side Unless Requested Otherwise
- ▶ Torx Security Screws



# L-1900, FLDL

## FIRE-RATED FUSIBLE LINK LOUVER

### FOR 1 3/4" THICK DOORS UP TO 90 MINUTES

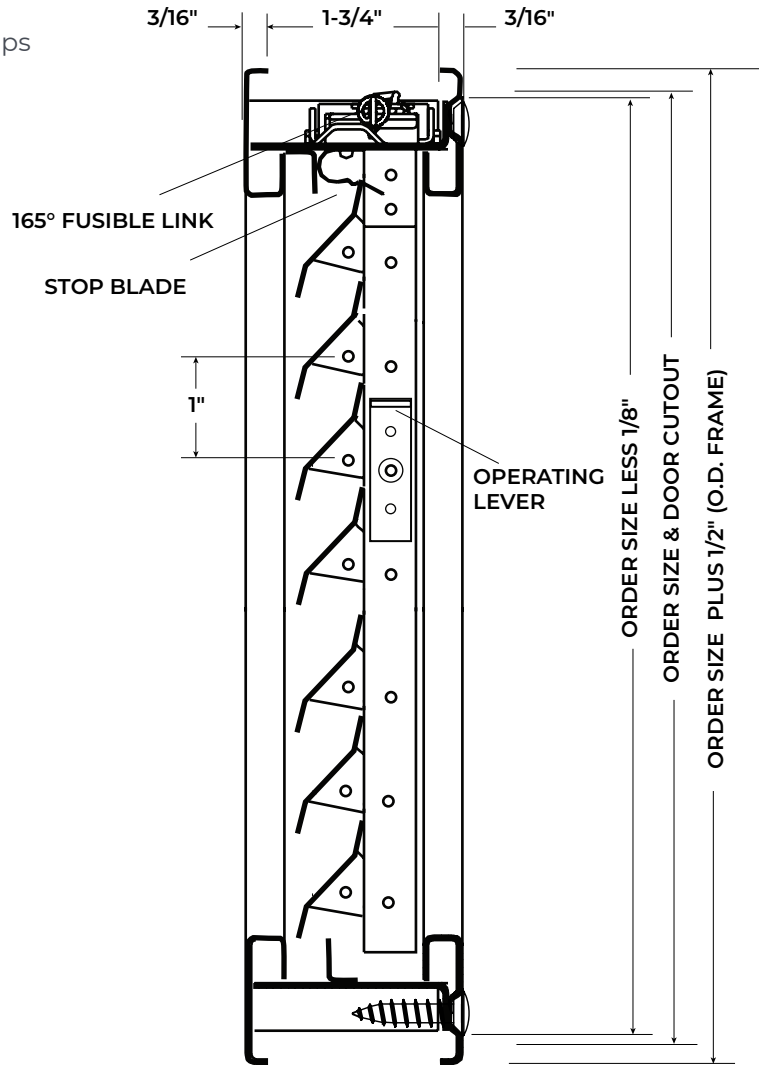


\*Up to 90 Minutes

- ▶ Blades Close When Activated By Fire/Heat
- ▶ 18 Ga. Cold Rolled Steel Frame
- ▶ 18 Ga. Cold Rolled Steel Adjustable "Z" Blades
- ▶ Mitered Corners Secured With Reinforcing Clips
- ▶ Stainless Steel Spring
- ▶ 165° Fusible Link
- ▶ #8 X 3/4" Phillips Head SMS
- ▶ Free Area 40%
- ▶ Gray Primer (GPZ) Powder Coat Finish
- ▶ Available in Whole Inch Increments:  
Minimum Size: 10" x 6"  
Maximum Size: 24" x 30"

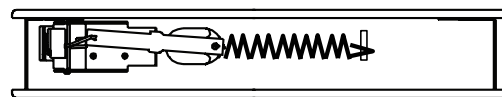
#### Available Options

- ▶ Powder Coat Color Options - See Page L3
- ▶ Aluminum Insect Screen - 22 Ga. 1/8" Square Mesh Installed on Exterior Side
- ▶ Torx Security Screws
- ▶ Galvanneal - A40 Steel
- ▶ Type 316 Stainless Steel – Specify FLDL-316SS,  
Stock Sizes:  
12" x 12"      24" x 12"  
18" x 12"      24" x 18"  
18" x 18"      24" x 24"



Undersized 1/8" for Clearance

Not to Scale



Top View Fusible Link Mechanism

# L-1800

## ADJUSTABLE BLADE LOUVER

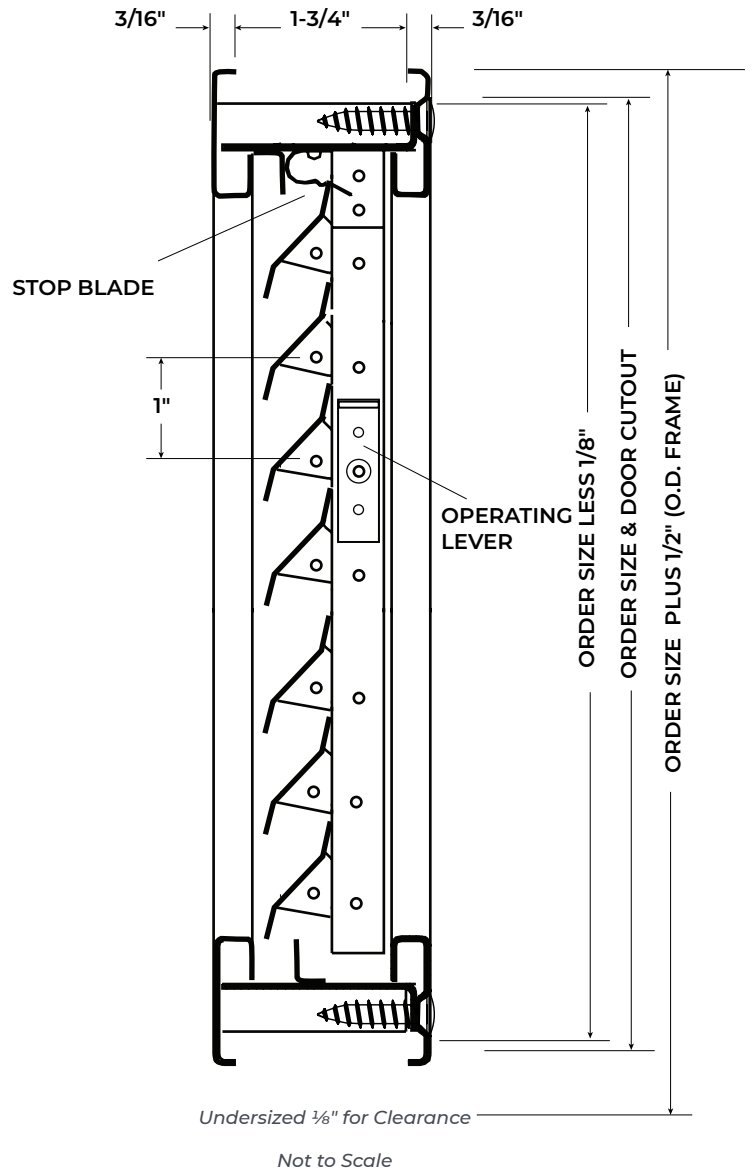
### FOR 1 3/4" THICK DOORS

- Manually Adjustable Blades
- 18 Ga. Cold Rolled Steel Frame
- 18 Ga. Cold Rolled Steel Adjustable "Z" Blades
- Mitered Corners Secured With Reinforcing Clips
- #8 X 3/4" Phillips Head SMS
- Free Area 40%
- Gray Primer (GPZ) Powder Coat Finish
- Available in Whole Inch Increments:  
Minimum Size: 10" x 6"  
Maximum Size: 24" x 30"

### Available Options

- Powder Coat Color Options - See Page L3
- Aluminum Insect Screen - 22 Ga. 1/8" Square Mesh Installed on Exterior Side
- Torx Security Screws
- Galvanneal - A40 Steel
- Type 316 Stainless Steel – Specify L-1800-316SS,  
Stock Sizes:

12" x 12"	24" x 12"
18" x 12"	24" x 18"
18" x 18"	24" x 24"





### FOR 1 3/8" TO 1 3/4" THICK DOORS

- ▶ 12 Ga. Cold Rolled Steel Security Grille Frame with 13/16" Square Holes on 1" Centers
- ▶ 20 Ga. Cold Rolled Steel Louver Blades
- ▶ Countersunk Mounting Screw-Holes
- ▶ #8-32 Phillips Head Screw Thru-Bolts
- ▶ Available in Uneven and Fractional Sizes
- ▶ Free Area 50%
- ▶ Gray Primer (GPZ) Powder Coat Finish

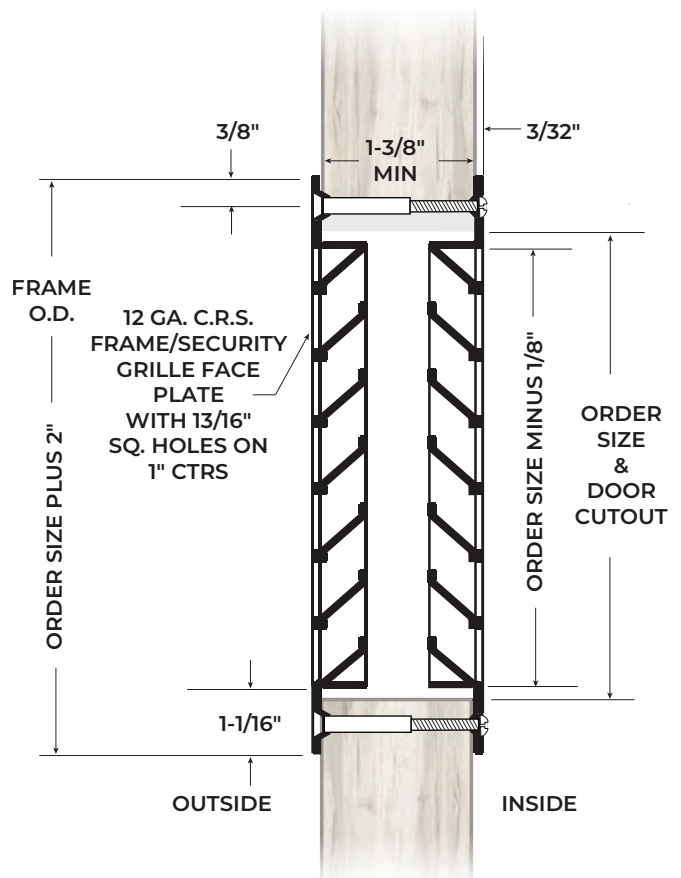
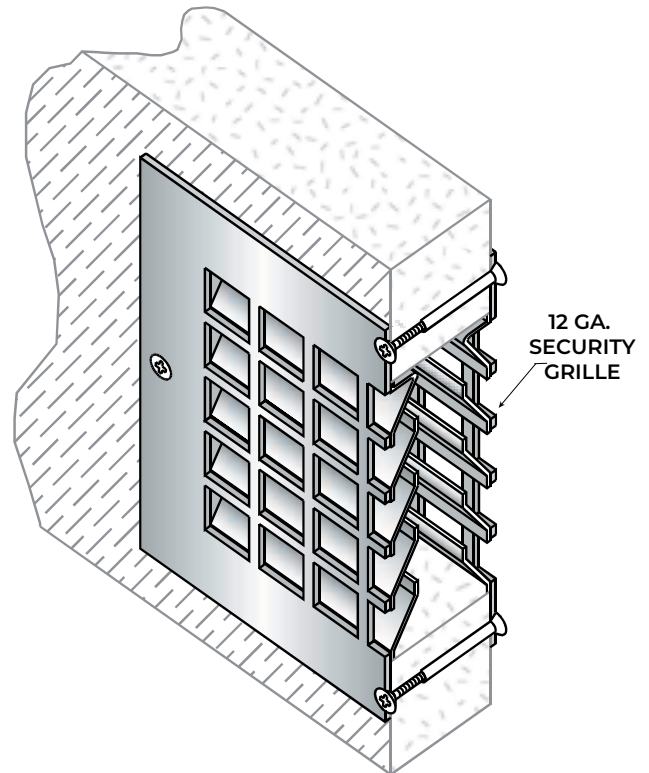
### Available Options

- ▶ Powder Coat Color Options - See Page L3
- ▶ Aluminum Insect Screen - 22 Ga. 1/8" Square Mesh Installed on Exterior Side Unless Requested Otherwise
- ▶ #8-32 Torx Security Pin Screw Thru-Bolts
- ▶ Electrogalvanized Steel (Not Available on Security Grilles)
- ▶ Zinc Electroplating (Not Available on Insect Screen)
- ▶ Type 316 Stainless Steel – Specify PLSL-316SS,  
Stock Sizes: 12" x 12"   18" x 12"   18" x 18"  
24" x 12"   24" x 18"   24" x 24"

### Windstorm Rated

- ▶ Louver for Use in Windstorm-Rated Assembly in Accordance with ANSI/ASTM E330, ANSI/ASTM E1886, ASTM E1996, AAMA/WDMA/CSA 101/I.S.2/A440, FEMA 320, FEMA 361 and ICC 500.  
Design Pressure = +/- 70 PSF  
Large Missile Impact = 350 ft. lbs.  
Hazard - Hurricane

This Product is **NOT** Rated for Use on Fire-Rated Doors



Not To Scale

# L-VRSG-2, L-VRSG-3

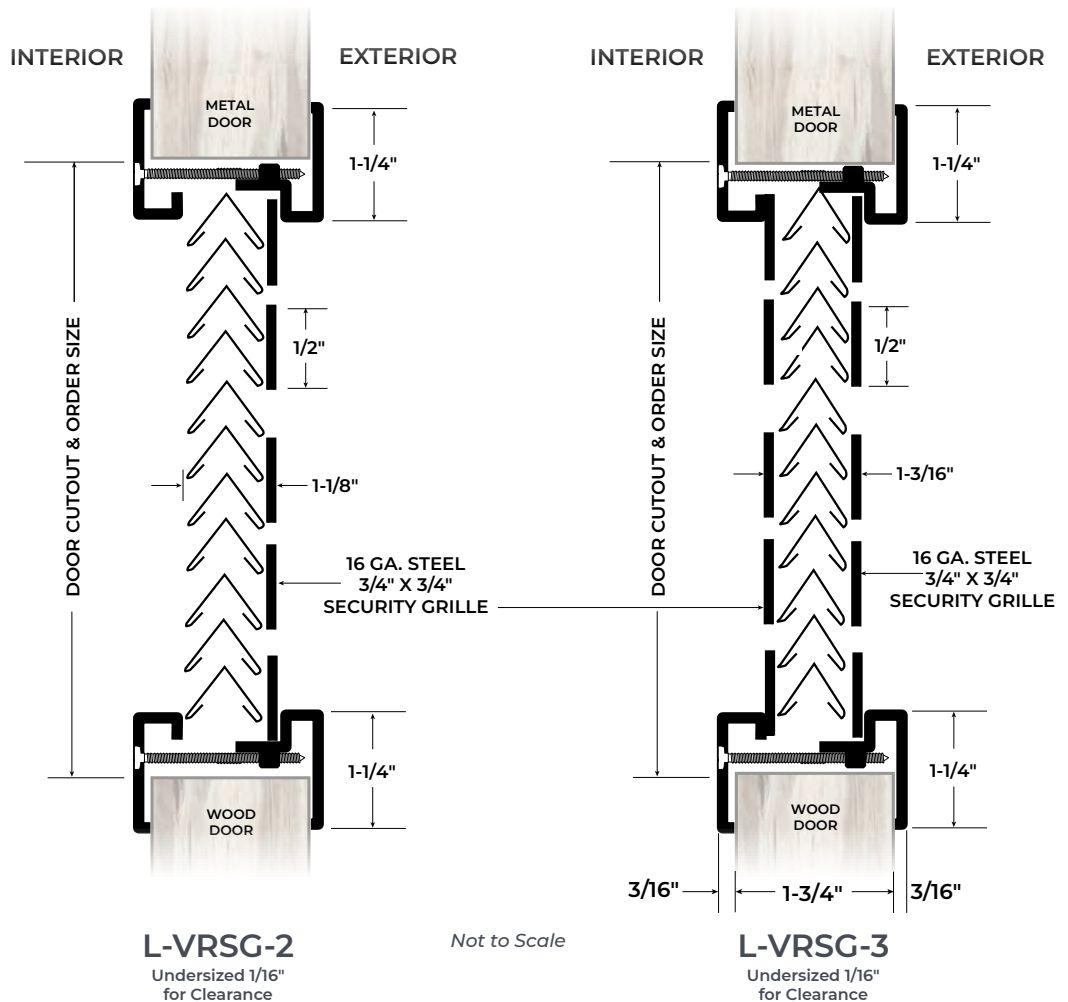
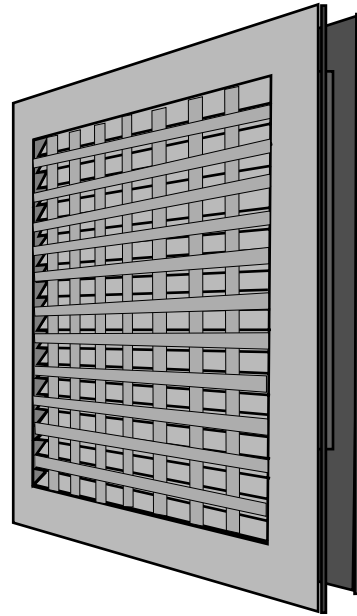
## VANDAL RESISTANT SECURITY LOUVER

### FOR 1 3/4" THICK DOORS

- ▶ 18 Ga. Cold Rolled Steel Frame
- ▶ Mitered and Welded Corners
- ▶ Welded Reinforcing Clips at Corners
- ▶ Inverted "V" Design
- ▶ Blades 24 Ga. Steel, Hemmed Edges
- ▶ 16 Ga. Steel, 3/4" X 3/4" Security Grille
- ▶ #6 X 1 3/4" Phillips Truss Head SMS
- ▶ Free Area 45%
- ▶ Gray Primer (GPZ) Powder Coat Finish

### Available Options

- ▶ Powder Coat Color Options - See Page L3
- ▶ Thru-Bolts (TB) for 1 3/4" Thick Doors
- ▶ Aluminum Insect Screen - 22 Ga. 1/8" Square Mesh  
Installed on Exterior Side Unless Requested Otherwise
- ▶ Torx Security Screws
- ▶ Galvanneal - A40 Steel
- ▶ Zinc Electroplating (Not Available on Insect Screen)



# FLDL-SG1

## STORM PRO™ FIRE-RATED FUSIBLE LINK LOUVER

### FOR 1 3/4" THICK DOORS UP TO 90 MINUTES

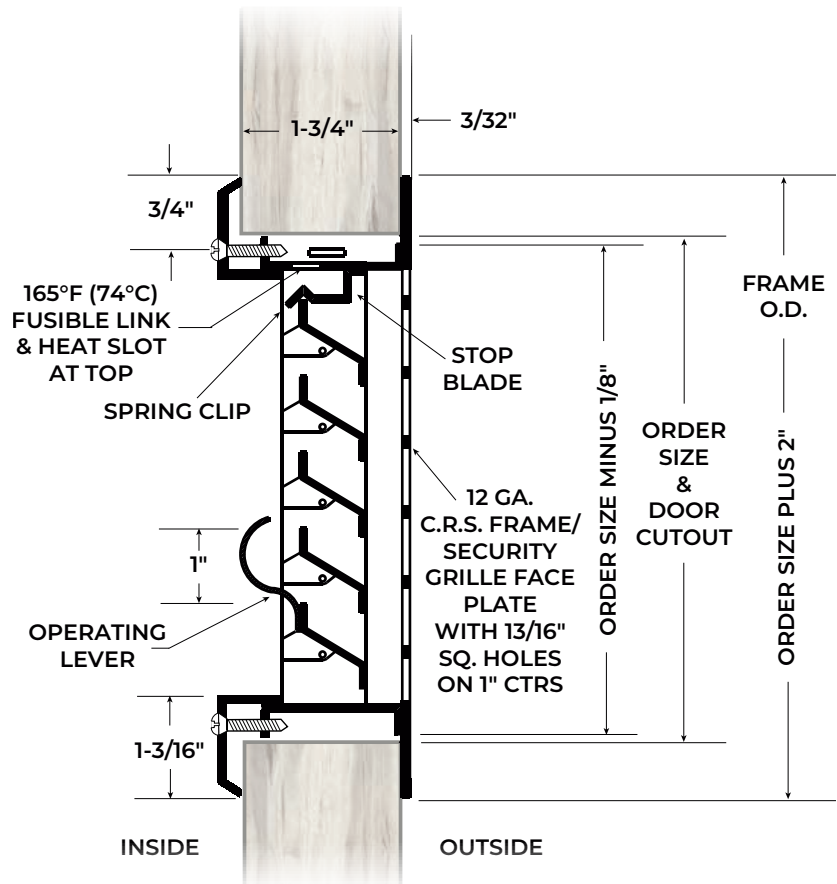
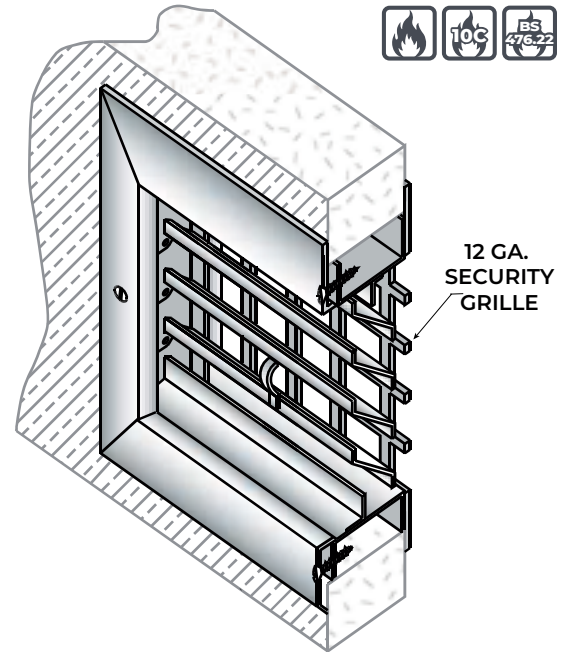
- ▶ Blades Close When Activated By Fire/Heat
- ▶ 18 Ga. Cold Rolled Steel Frame
- ▶ 18 Ga. Cold Rolled Steel Adjustable "Z" Blades
- ▶ 12 Ga. Cold Rolled Steel Security Grille One Side
- ▶ Mitered Corners Secured With Reinforcing Clips
- ▶ Stainless Steel Spring
- ▶ 165° Fusible Link
- ▶ #8 x 1" Torx Security Pin Screws
- ▶ Free Area 40%
- ▶ Gray Primer (GPZ) Powder Coat Finish
- ▶ Available in Whole Inch Increments:  
Minimum size: 10" x 6"  
Maximum size: 24" x 30"

### Available Options

- ▶ Powder Coat Color Options - See Page L3
- ▶ Aluminum Insect Screen - 22 Ga. 1/8" Square Mesh  
Installed on Exterior Side
- ▶ Galvanneal - A40 Steel Frame and  
Blades (Security Grille not Available  
in Galvanneal)
- ▶ Type 316 Stainless Steel – Specify  
FLDL-SG1-316SS,  
Stock Sizes:  
12" x 12" 18" x 12" 18" x 18"  
24" x 12" 24" x 18" 24" x 24"

### Windstorm Rated

- ▶ Louver for Use in Windstorm-Rated  
Assembly in Accordance with  
ANSI/ASTM E330, ANSI/ASTM E1886,  
ASTM E1996, AAMA/WDMA/CSA  
101/I.S.2/A440, FEMA 320, FEMA 361  
and ICC 500.  
Design Pressure = +/- 70 PSF  
Large Missile Impact = 350 ft. lbs.  
Hazard - Hurricane
- ▶ Maximum Size for Hurricane Use is  
24" x 24" (610mm x 610mm)



Not To Scale

# FLDL-SG2

## STORM PRO™ FIRE-RATED FUSIBLE LINK LOUVER

### FOR 1 3/4" THICK DOORS UP TO 90 MINUTES

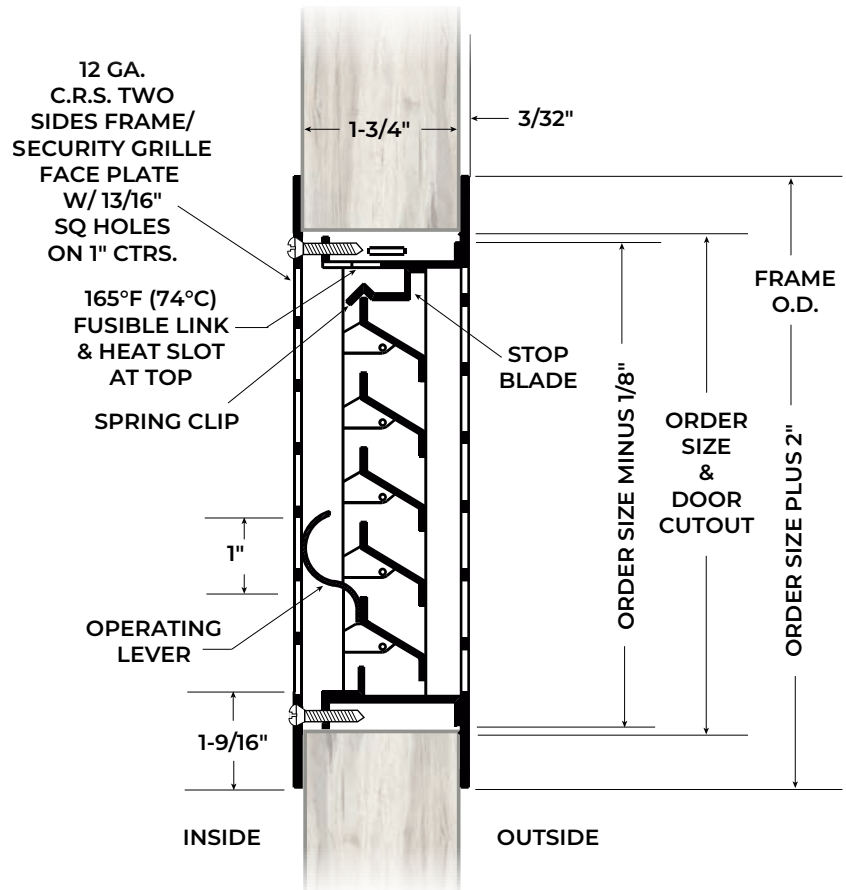
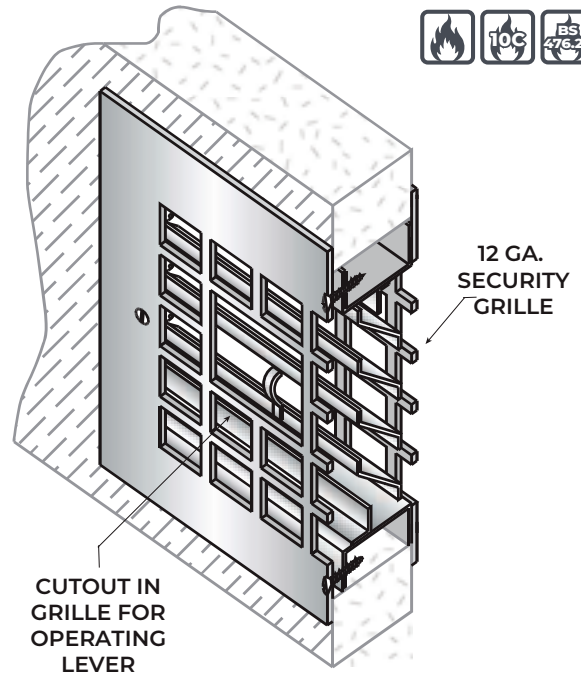
- Blades Close When Activated By Fire/Heat
- 18 Ga. Cold Rolled Steel Adjustable "Z" Blades
- 12 Ga. Cold Rolled Steel Security Grille Both Sides
- Stainless Steel Spring
- 165° Fusible Link
- #8 x 1" Torx Security Pin Screws
- Free Area 40%
- Gray Primer (GPZ) Powder Coat Finish
- Available in Whole Inch Increments:  
Minimum size: 10" x 6"  
Maximum size: 24" x 30"

### Available Options

- Powder Coat Color Options - See Page L3
- Aluminum Insect Screen - 22 Ga. 1/8" Square Mesh Installed on Exterior Side
- Galvanneal - A40 Blades (Security Grilles Not Available in Galvanneal)
- Type 316 Stainless Steel – Specify FLDL-SG2-316SS,  
Stock Sizes:  
12" x 12" 18" x 12" 18" x 18"  
24" x 12" 24" x 18" 24" x 24"

### Windstorm Rated

- Louver for Use in Windstorm-Rated Assembly in Accordance with ANSI/ASTM E330, ANSI/ASTM E1886, ASTM E1996, AAMA/WDMA/CSA 101/I.S.2/A440, FEMA 320, FEMA 361 and ICC 500.  
Design Pressure = +/- 70 PSF  
Large Missile Impact = 350 ft. lbs.  
Hazard - Hurricane
- Maximum Size for Hurricane Use is 24" x 24" (610mm x 610mm)



Not To Scale

# DSFP

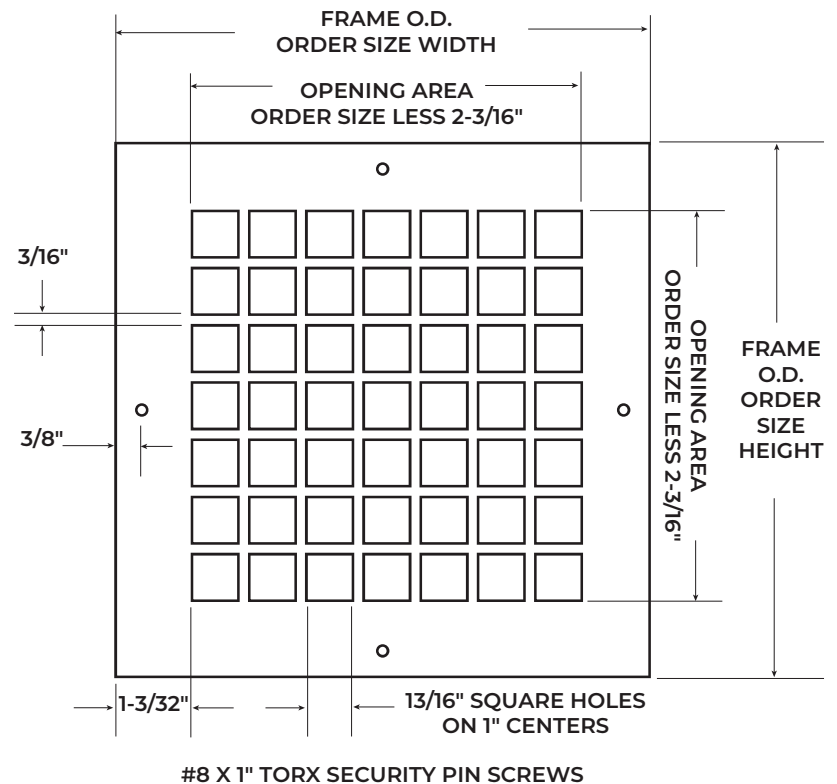
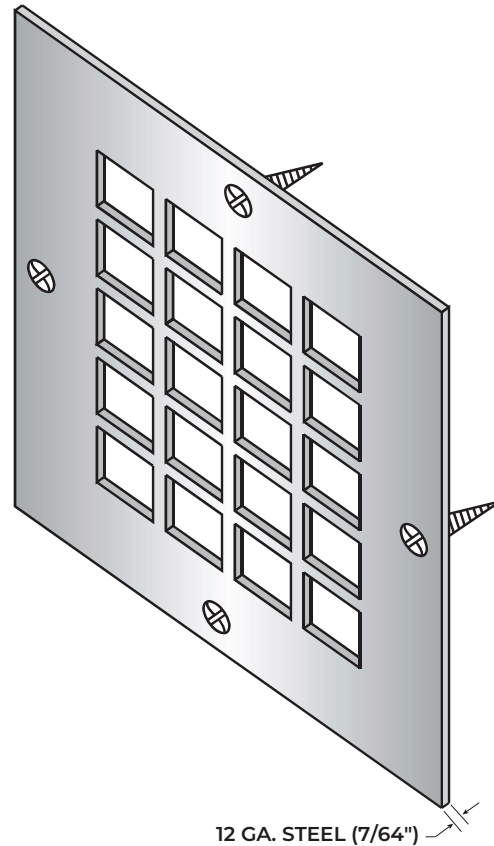
## SECURITY GRILLE FACE PLATE

### FOR WALLS OR DOORS

- 12 Ga. Cold Rolled Steel Lattice Security Grille
- $1\frac{3}{16}$ " Square Holes on 1" Centers
- #8 x  $\frac{3}{4}$ " Torx Security Pin Screws
- Free Area 66%
- Gray Primer (GPZ) Powder Coat Finish

### Available Options

- Powder Coat Color Options - See Page L3
- Aluminum Insect Screen - 22 Ga.  $\frac{1}{8}$ " Square Mesh Supplied Loose
- Zinc Electroplating (Not Available on Insect Screen)
- Type 316 Stainless Steel – Specify DSFP-316SS



# DSFP-PERF

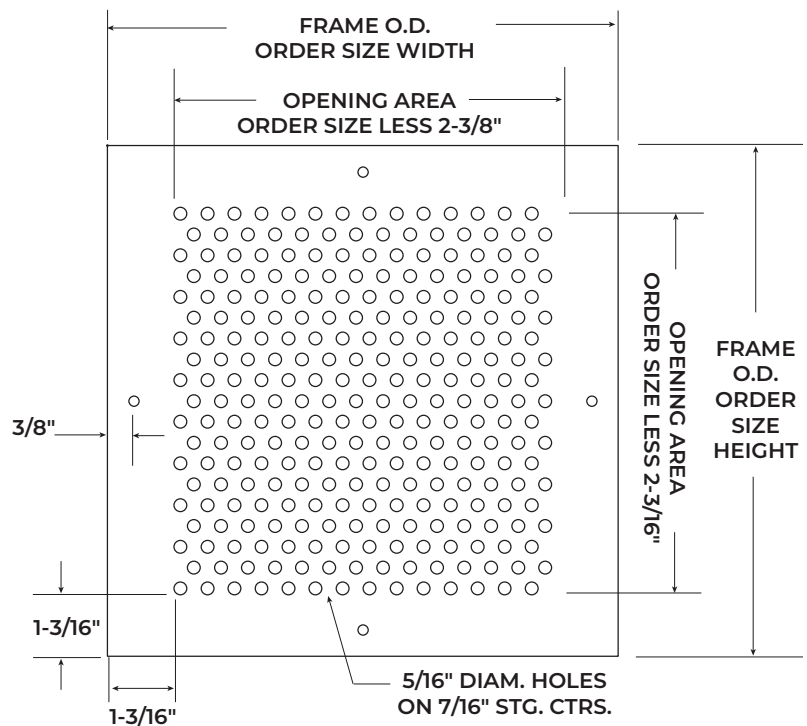
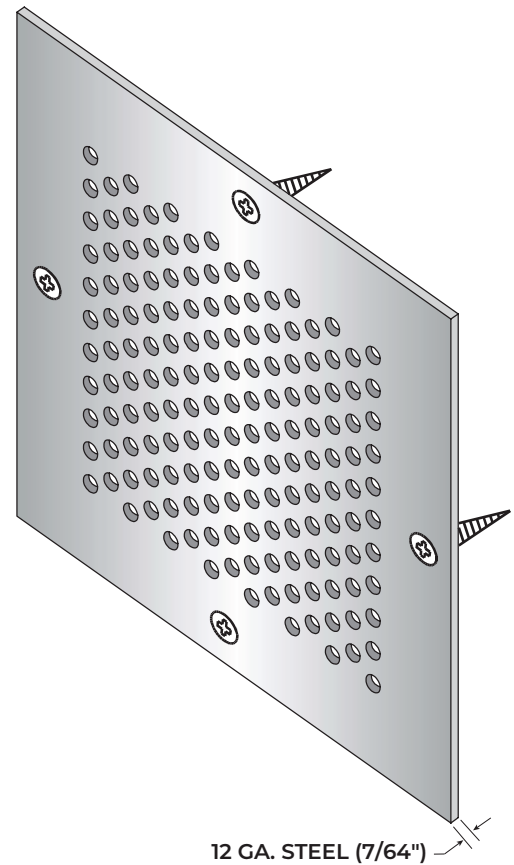
## SECURITY GRILLE FACE PLATE

### FOR WALLS OR DOORS

- 12 Ga. Cold Rolled Steel Perforated Security Grille
- 5/16" Diameter Holes on 7/16" Staggered Centers
- #8 x 3/4" Torx Security Pin Screws
- Free Area 46%
- Gray Primer (GPZ) Powder Coat Finish

### Available Options

- Powder Coat Color Options - See Page L3
- Aluminum Insect Screen - 22 Ga. 1/8" Square Mesh  
Supplied Loose
- Zinc Electroplating (Not Available on Insect Screen)



Not To Scale

Not To Scale

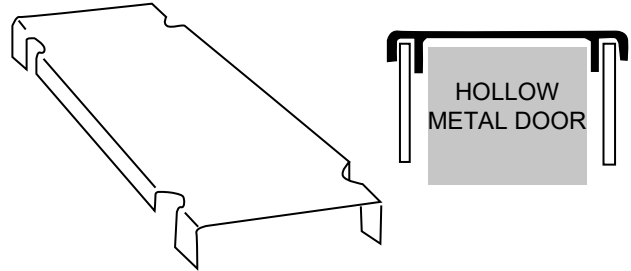
# L-CLIPS

## OPTIONAL REINFORCEMENT

### FOR 1 3/4" HOLLOW METAL DOORS



- 20 Ga. Steel
- 4" Length Clip
- For Spot Reinforcement of Cutouts in Hollow Metal Doors
- NGP Lite Kits on Fire-Rated Hollow Metal Doors Do **NOT** Require L-Clips or Channels Welded in the Doors



# FASTENERS

## FOR LITES AND LOUVERS



PHILLIPS HEAD  
TOP VIEW



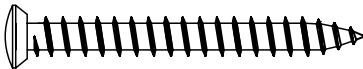
TORX SECURITY  
TOP VIEW



HEX HEAD WASHER  
TOP VIEW

OH = OVAL HEAD TYPE  
U/C = UNDERCUT  
TH = TRUSS HEAD TYPE  
SMS = SHEET METAL SCREW  
TB = THRU-BOLT  
HW = HEX HEAD WASHER

#8 OH PHILLIPS U/C SMS  
410 S/S MATERIAL  
LENGTHS = 1-1/4", 1-3/4"



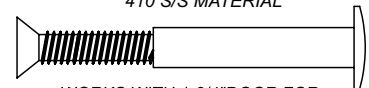
WORKS WITH;  
L-FRA100, L-FRA100-SP,  
L-FRA100-RD, L-CVFM-SS

#6 TH PHILLIPS SMS  
410 SS MATERIAL  
LENGTHS = 1", 1-3/4"



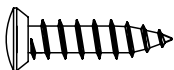
WORKS WITH;  
L-GLF100, L-GLF100-SP  
L-SG100

#8 X 32 THRU-BOLT  
410 S/S MATERIAL



WORKS WITH 1-3/4" DOOR FOR;  
L-GLF100-TB, L-GLF100-SP-TB  
L-SG100-TB AND THRU  
BOLTED LOUVERS

#8 X 3/4" OH  
PHILLIPS U/C SMS  
410 SS MATERIAL



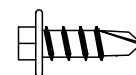
WORKS WITH;  
L-700-RX, L-700-SERIES, L-A700-SERIES

#8 X 3/4" PH  
PHILLIPS 410SS  
SMS



WORKS WITH;  
L-1800, L-1900

#8 X 1/2" HW  
TEK ZINC SCREW



#8 X 1" OH PHILLIPS  
TEK ZINC SCREW



WORKS WITH 1-3/4" DOOR FOR;  
L-VGLF-WD, L-VGLF-PZ, L-VGLF-MD,  
L-VGLF-MDL, L-VGLF-OG, L-VGLF-SF



For the most up-to-date  
Lite Kits & Louvers  
Catalog scan the QR code  
or visit [ngp.com](http://ngp.com).



**[ngp.com](http://ngp.com)**  
**1-800-NGP-RUSH**

FAX: (800) 255-7874  
QUOTES: [quotes@ngp.com](mailto:quotes@ngp.com)  
ORDERS: [orders@ngp.com](mailto:orders@ngp.com)

**NGP MEMPHIS**  
4985 East Raines Road  
Memphis, TN 38118

**CARSON CITY**  
3689 Arrowhead Drive  
Carson City, NV 89706