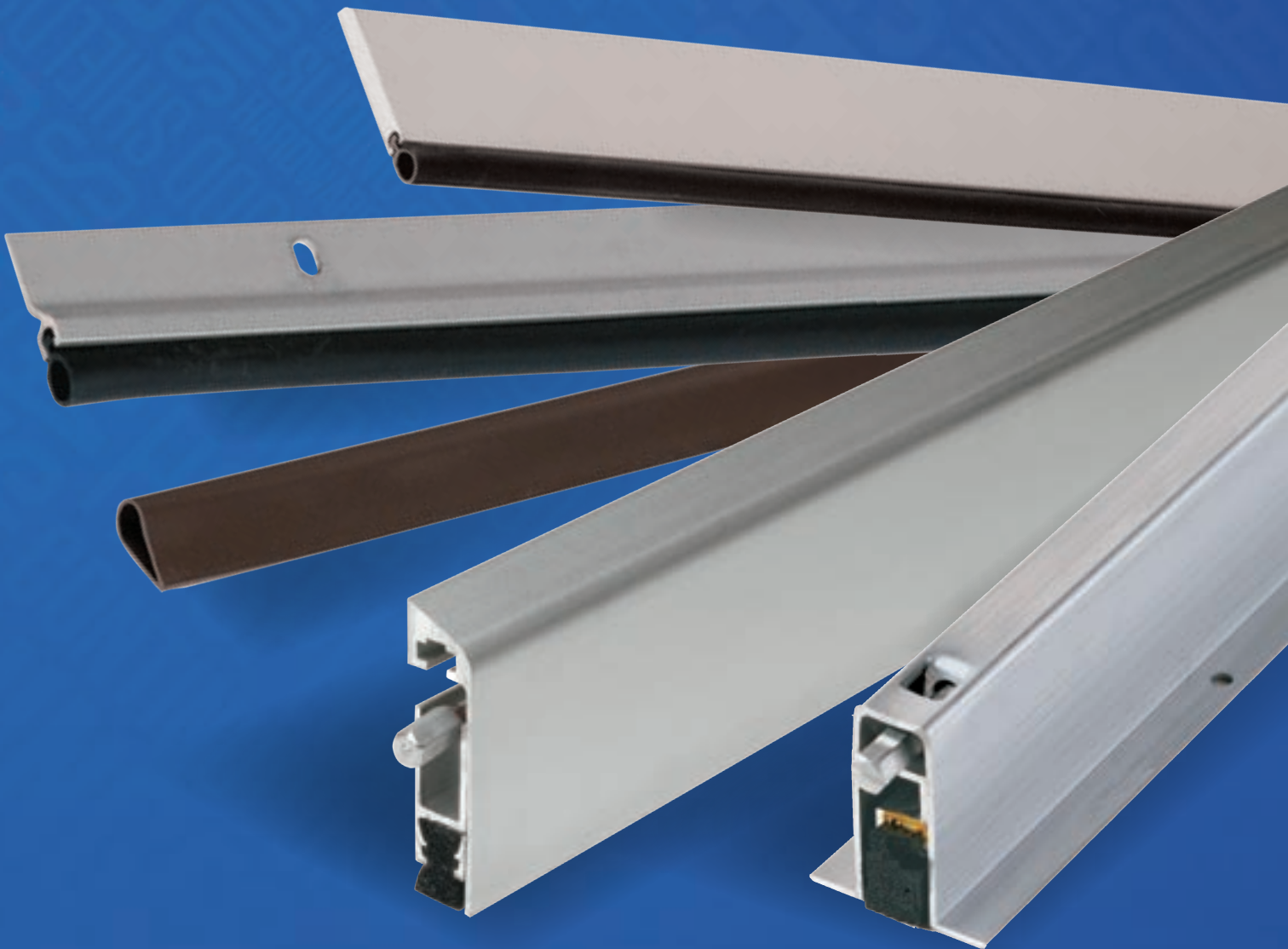




# SEALS

GASKETING &  
AUTOMATIC DOOR BOTTOMS





## GASKETING INDEX:

---

Acoustical Door Shoes.....	G43
Adjustable Perimeter Seals.....	G34
Automatic Door Bottoms.....	G37-G42
Concealed Fastener Nylon Brush Sweeps.....	G51
Concealed Fastener Seals.....	G31
Door Bottom Seals.....	G54
Extended Door Shoes.....	G44
Finned Vinyl Door Shoes.....	G47
Foam Seals.....	G26
Gasketing Fasteners.....	G63
Guards/Seals.....	G62
Magnetic Astragal Sets.....	G57
Mortised Astragals.....	G60
Neoprene and Silicone Sweeps.....	G50
Neoprene Bulb Seals.....	G24
Neoprene Sponge Seals.....	G23
Neoprene, Nylon Brush, Double Fin.....	G46
NGP-Edge® Sealing System.....	G19-G21
Nylon Brush Seals.....	G27-G28
Nylon Brush Seals with EPDM Rubber Insert.....	G53
Nylon Brush Sweeps.....	G52
Overhead Door Bottom Seal.....	G54
Overlapping Astragals.....	G58
Perimeter Seals.....	G29-30
Polypropylene Pile Door Shoes.....	G45
Polypropylene Pile Seals.....	G22
Polyurethane Seals.....	G24
Safety Seal for Double-Acting Doors.....	G61
Seal for Mullion Applications.....	G18
Self-Adhesive Pile Astragals.....	G61
Self-Adhesive Silicone Gasketing.....	G14-G15, G17-G18
Self-Adhesive TPE Gasketing.....	G16
Silicone Seals.....	G25-G26
Smoke-Rated Astragal Seals.....	G55
Smooth Vinyl Door Shoes.....	G45
Solid Metal Astragals.....	G59
Specialty Astragal.....	G58
Spring Adjustable Astragal Sets.....	G57
Spring Adjustable Mortised Astragals.....	G61
Spring Adjustable Perimeter Seals.....	G36
Stainless Steel.....	G32-33
STC Rated Acoustical Foam Pad.....	G43
Steel Mounting Brackets.....	G35
Steel Security Astragals.....	G59
Surface Mounted Astragal Sets.....	G56
Thermoplastic Door Shoes.....	G48-G49
Vinyl Seals.....	G22
Vinyl Sweeps.....	G51

# NUMERICAL INDEX:

3.....	G35	127SS .....	G32	223 .....	G39	682 .....	G41
5V .....	G45	129SS .....	G32	225 .....	G40	683 .....	G41
6V .....	G45	130N .....	G23	229SS.....	G33, G38	D690 .....	G53
7.....	G35	130S .....	G25	254P.....	G45	C697.....	G53
12T.....	G49	130SS .....	G32	303N.....	G36	D698 .....	G53
12T6.....	G48	131N.....	G24	304N.....	G36	C699.....	G53
12V.....	G45	133N.....	G23	310.....	G37	700E.....	G29
13T.....	G49	134N.....	G24	312V.....	G47	700N.....	G30
13T6.....	G48	134S .....	G26	312V X 131N.....	G43	700S.....	G30
13V.....	G45	135N.....	G24	313V.....	G47	700U.....	G30
14R.....	G54, G58	136.....	G54, G60	318V.....	G47	701EP.....	G29
15N.....	G46	137N.....	G24, G55	319ET.....	G49	701P.....	G30
16.....	G62	137S.....	G26	319ET6.....	G48	705EV.....	G29
16SS.....	G33	139.....	G59	319EV.....	G47	705V.....	G30
17.....	G62	139SP.....	G59	319V.....	G47	706E.....	G29
17SS.....	G33	139SS.....	G32, G59	320.....	G40	780S.....	G38
18V.....	G45	140P.....	G57	331.....	G46	781S.....	G41
19V.....	G45	140S.....	G57	335.....	G40	896.....	G46
26N.....	G46	141.....	G36	336.....	G61	1000RA.....	G61
35E.....	G47	143.....	G60	340.....	G61	1015V.....	G51
35ET.....	G49	144.....	G61	344.....	G49	1038N.....	G34
35ET6.....	G48	149M.....	G57	384.....	G26	1390SP.....	G59
35V.....	G47	150U.....	G24	388.....	G26	1392SP.....	G59
36ET.....	G49	151.....	G60	420N.....	G39	2014R.....	G50
36ET6.....	G48	152S.....	G26	421N.....	G39	2525.....	G15
36EV.....	G47	152V.....	G22	422N.....	G41	3038N.....	G36
36V.....	G47	155S.....	G26	423N.....	G41	4440.....	G42
43CB.....	G62	155V.....	G22	520N.....	G39	4441.....	G42
54CP.....	G18	156S.....	G26	522N.....	G41	4447.....	G42
60FP.....	G43	156V.....	G22	600.....	G28, G52, G56	4448.....	G42
92.....	G44	157M.....	G62	601.....	G28, G52	5020.....	G16
92T.....	G49	158.....	G58	602.....	G27	5040.....	G15
92T6.....	G48	159M.....	G62	603.....	G27	5050.....	G14
95WH.....	G46	160S.....	G26	A605.....	G28, G52, G56	5050 Anti-Lig.....	G14
96V.....	G51	160U.....	G24	B606.....	G28, G52, G56	5060.....	G15
97V.....	G51, G56	160V.....	G22	C607.....	G28, G52	5070.....	G17, G55
99.....	G44	161N.....	G24	D608.....	G28, G52	5075.....	G17
99T.....	G49	161S.....	G26	G610.....	G28, G52	5100.....	G18
99T6.....	G48	161U.....	G24	C611.....	G28	9115.....	G55
101V.....	G51	161V.....	G22	H612.....	G28, G52	9125.....	G55
102V.....	G50	162S.....	G26	H614.....	G28	9125SS.....	G32
103N.....	G34	164V.....	G22	I-615.....	G28	9450.....	G19
104N.....	G34	165N.....	G23	I-616.....	G28	9500.....	G21
106.....	G34	165S.....	G25	D620.....	G27	9550.....	G19
107.....	G34	170.....	G31	G622.....	G27	9600.....	G55
108N.....	G23	172N.....	G24	H623.....	G27	9605.....	G55
109N.....	G58	172S.....	G26, G31	I-624.....	G27	9700.....	G30
110N.....	G23	172V.....	G22, G31	A625.....	G27	9750.....	G20
110S.....	G25	176.....	G58	F625.....	G27	9800.....	G21
112N.....	G46	178.....	G58	A626.....	G27	9850.....	G20
113N.....	G46	185P.....	G22	C627.....	G52	81369.....	G54
114.....	G58	189M.....	G57	OV633.....	G28, G52	FATT.....	G18
115N.....	G55	197N.....	G50	OV634.....	G28, G52		
118N.....	G46	198N.....	G50	A635.....	G60		
119N.....	G46	199N.....	G50	D648.....	G27		
120N.....	G23	200N.....	G50	672.....	G31, G51, G56		
120S.....	G25	200S.....	G50	672N.....	G55		
120SS.....	G32	200SS.....	G33	672P.....	G31		
122N.....	G23	201N.....	G50	673.....	G51		
122SS.....	G32	202N.....	G50	674.....	G51		
125N.....	G55	203N.....	G50	675.....	G31, G51, G56		
125SS.....	G32	220.....	G37	678.....	G51		
127N.....	G23	221SS.....	G33, G38	679.....	G51		
127S.....	G25	222.....	G37	680.....	G39		



MORE THAN  
— JUST A —  
**PRETTY  
FACE**

We've got the products AND  
THE SERVICE to back it up!

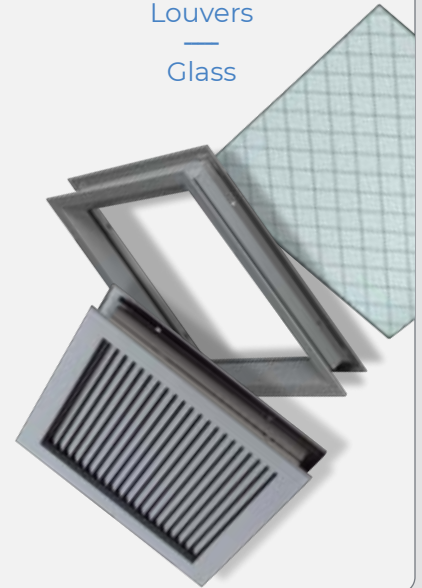
## SEALS

- Thresholds
- Gasketing
- Door Bottoms



## LITES

- Lite Kits
- Louvers
- Glass



## HINGE

- Aluminum  
Continuous Geared
- Stainless Steel  
Pin & Barrel



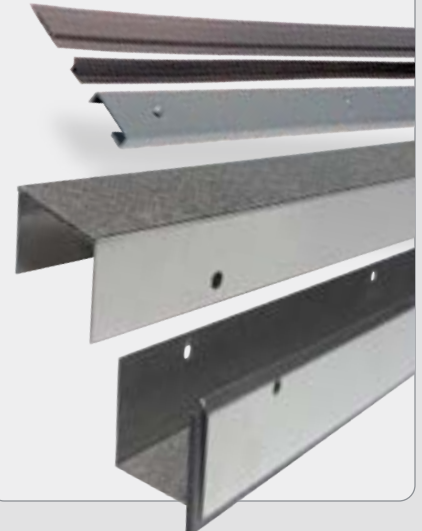
## SLIDING

- Stainless Steel Barn  
Door Track
- Aluminum  
Multi-family
- Aluminum  
Commercial



## GAPGUARD

- Gap90™
- 9590
- 9990



# RATINGS

## RATING SYMBOLS LEGEND

---



**POSITIVE PRESSURE - CERTIFIED by UL to ANSI/UL10C**; complies with IBC, NFPA 80 and NFPA 252 for application to hollow metal fire doors rated up to 3 hours, and wood fire doors rated up to 90 minutes (some ratings vary as noted).



**CERTIFIED by UL to CAN/ULC-S104 and ANSI/UL10B**; complies with NFPA 80 and NFPA 252 for application to hollow metal fire doors rated up to 3 hours, and wood fire doors rated up to 90 minutes (some ratings vary as noted).



**NGP-EDGE® SEALING SYSTEM, CERTIFIED BY UL TO ANSI/UL10C CATEGORY 'G'**; required for Category B wood fire doors to meet positive pressure requirements complying with IBC, and NFPA 252. See individual products for maximum door size and ratings.



**SMOKE & DRAFT CONTROL GASKETING, CERTIFIED BY UL TO ANSI/UL10C AND ANSI/UL1784 CATEGORY 'H'**; complies with IBC and NFPA 105 for use on 'S' labeled positive pressure hollow metal fire doors rated up to 3 hours, and wood fire doors rated up to 90 minutes (some ratings vary as noted).



**ACOUSTICAL TESTED** to ASTM E90 Standard Test Method for Laboratory Measurement of Airborne Sound Transmission Loss of Building Partitions and Elements, and ASTM E2235 Standard Test Method for Determination of Decay Rates for use in Sound Insulation Test Methods.



**AIR INFILTRATION TESTED** to ASTM E283, Standard Test Method for Determining Rate of Air Leakage Through Exterior Windows, Curtain Walls, and Doors.



**ANTI-MICROBIAL.** Treated with an anti-microbial additive to inhibit the growth of microorganisms.



**ANSI/BHMA CERTIFIED.** Certified gasketing complies with American National Standard for Door Gasketing and Edge Seal Systems ANSI/BHMA A156.22, and is listed in the BHMA Certified Products Directory.



Online product listings: [ul.com/database](https://ul.com/database)



# LEED GREEN BUILDING

---

LEED (Leadership in Energy and Environmental Design) Green Building Rating System® is a national standard for developing high-performance, sustainable buildings developed by the U. S. Green Building Council. This letter highlights the eligible LEED V.4 point contributions for National Guard Products.

## **MRC2 Building Product Disclosure and Optimization - Environmental Product Declaration (EPD)**

National Guard Products is able to provide Type III Product Specific Environmental Product Declarations for its Threshold, Gasketing, Lite Kits, Louvers and Continuous Geared Hinge products. The EPDs can be found at: [ngp.com/epds](http://ngp.com/epds).

## **MRC3 Building Product Disclosure and Optimization - Sourcing of Raw Materials**

National Guard Products is able to provide a third party reviewed corporate sustainability report that includes the environmental impacts of extraction operations and activities associated

with National Guard Products' supply chain. This report was created using the Global Reporting Initiative (GRI) Sustainability Reporting framework and satisfies MRc3 Option 1. The report can be found at: [ngp.com/report](http://ngp.com/report).

For Option 2 of the MRc3 credit, products purchased from National Guard Products are eligible to participate in the NGP Extended Producer Responsibility Program, RE-NGP managed by National Guard Products.

Additionally for Option 2 of the MRc3 credit, average percentages of recycled materials utilized in and contained in NGP products may be found at: [ngp.com/leed](http://ngp.com/leed).

## **MRC4 Building Product Disclosure and Optimization - Material Ingredients**

National Guard Products is able to provide product specific Health Product Declarations Product Specific for its Threshold, Gasketing, Lite Kits and Louver products. The HPDs can be found at: [ngp.com/hpds](http://ngp.com/hpds).

# BUY AMERICAN REQUIREMENTS

---

## **Buy American Act**

Over 99% of our products are produced in the United States as a domestic construction material, as defined in the Buy American Act (BAA) of March 1933 and amended by the Buy American Act of 1988 and FAR 52.225-9. A Buy American certificate may be obtained on our website [ngp.com](http://ngp.com).

## **Buy America**

Most of our products comply with Buy America Requirements of 49 U.S.C. 5323(j)(1), and the applicable regulations in 49 CFR part 661. Contact us for a Certificate of Compliance for your project.

Components of unknown origin are considered to have been produced or manufactured outside the United States.

## **Build America, Buy America**

Many of our products comply with the Infrastructure Investment and Jobs Act, Build America, Buy America requirements. Contact us for a Certificate of Compliance for your project.

# MATERIALS

---

Metal retainers for gasketing are Aluminum Alloy 6063, T5 temper, unless noted.

Architectural Bronze gasketing is Alloy CDA 385 (Copper Alloy No. C38500), Architectural Bronze.

Stainless steel gasketing is Type 304, known for its excellent corrosion resistance, high tensile strength and resistance to oxidation.

NGP utilizes a variety of gasketing materials including Vinyl, Neoprene, Silicone, Nylon Brush, Thermoplastic Elastomers (TPE), Thermoplastic Vulcanizates (TPV), Polypropylene Pile, Ethylene-Propylene-Diene-Monomer (EPDM), Polyurethane, and Intumescent Fire Seals. Product illustrations indicate the gasketing material. Properties of many primary gasket materials are listed on the perimeter seal catalog pages.

Adhesive mounted gasketing utilizes a pressure sensitive modified acrylic adhesive protected by a release liner. Once installed it provides a permanent bond in exterior or interior locations. End use temperature range is -30°F up to 250°F. Shelf life of adhesive prior to installation is one year when stored at 75°F and 50% relative humidity or less.

## GASKETING FINISHES

Material	Finish	ANSI/BHMA Finish	US Finish	NGP Suffix
<b>Aluminum:</b>	Mill Finish	ANSI/BHMA 719	US27	None
	Anodized Aluminum	ANSI/BHMA 628	US28	A
	Dark Bronze			DKB
	Polished	ANSI/BHMA 717		POL
<b>Stainless Steel:</b>	Brushed (#4)	ANSI/BHMA 630	US32D	None
<b>Gasket Materials:</b>	Neoprene is Black			N
	NGP-TPV is Black			N
	Polyurethane is Black			U
	Vinyl is Black, except where noted as Gray			V
	Silicone colors: Black, Brown, Clear, White			S
	Thermoplastic is Brown			T, T6
	Nylon Brush colors: Black, Gray			
	TPE colors: Brown, Charcoal, Clear, White			
	Polypropylene Pile is Gray			
EPDM is Black				

# UNDERSTANDING SOUND TRANSMISSION CLASS



The Sound Transmission Class (STC) is a single-number rating of the ability of a material or an assembly to resist airborne sound transfer at the frequencies 125-4000 Hz. In general, a door system with a higher STC rating blocks more noise from transmitting through an opening.



**VERY POOR**  
LOW SPEECH  
AUDIBLE



**POOR**  
NORMAL SPEECH  
UNDERSTOOD EASILY  
AND DISTINCTLY



**FAIR**  
LOUD SPEECH  
UNDERSTOOD  
FAIRLY WELL



**GOOD**  
LOUD SPEECH  
HEARD BUT HARDLY  
INTELLIGIBLE



**VERY GOOD**  
LOUD SPEECH  
HEARD FAINTLY



**EXCELLENT**  
LOUD SOUNDS  
HEARD FAINTLY  
OR NOT AT ALL



SOURCE ROOM

80dB



SOUND PRESSURE LEVEL 80 DB

STC 39 DOOR

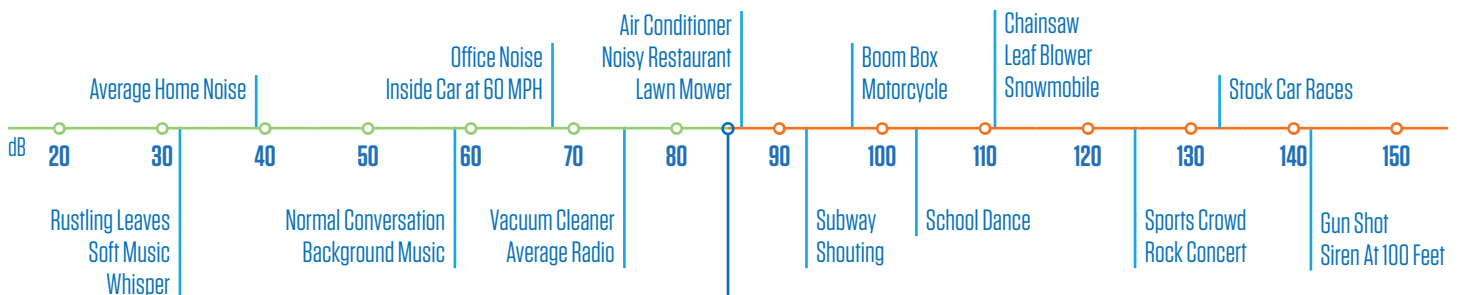
RECEIVING ROOM

41dB



SOUND PRESSURE LEVEL 41 DB

## NOISE LEVELS



ACCEPTABLE LEVELS BELOW 85dB    HARMFUL LEVELS ABOVE 85dB

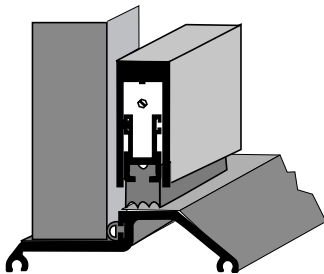
No matter what the STC door rating may be, it cannot perform without the proper STC Gasketing. Sound leaks from the perimeter of the door just like a draft of air.



# SOUND TRANSMISSION CLASS (STC) RATED SINGLE DOOR ASSEMBLIES

The chart below indicates the STC Rating of specially made acoustic doors using various applications of gasketing. The first column is the rating of the door panel only, tested in a static inoperable condition to determine the sound transmission through the door. The second column is the rating of the operable door installed with hardware and gasketing which provides the STC Rating of the door assembly.

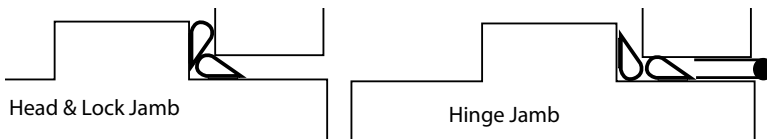
Acoustical testing to ASTM E90 Standard Test Method for Measurement of Airborne Sound Transmission Loss of Building Partitions and Elements, ASTM E2235 Standard Test Method for Determination of Decay Rates for use in Sound Insulation Test Methods, and ASTM E1332 Standard Classification for Rating Outdoor - Indoor Sound Attenuation. The Sound Transmission Class (STC) was calculated in accordance with ASTM E413 Classification for Rating Sound Insulation.



897N x 420N

STC Rating Static Door Panel	STC Rating Operable Door w/ Gasketing	Perimeter Seals	Door Bottom	Threshold
30	30	103N, 107N, 120N, 122N 127N, 133N, 134N, 137N 137S, 303N, 700N, 700S	420N	897N
30	30	130S	225S	896S
30	30	107S	220S	950S
33	31	5020	780S	513
35	33	5020	780S	513
36	33	5050	335N	513
35	34	5020, 5075	780S	513
35	35	5070, 9750, 9850	335S	896S
40	37	5020	780S	513
40	37	5075	12T	513
40	37	103N, 107N, 303N	420N	897N
40	38	•(2) 5050	335N	896S
40	39	120N, 134N, 137N, 137S, 700N, 700S	420N	897N
40	39	107S	220S	950S
44	39	1038N, 3038N	423N	896S
43	39	•(2) 5050	420N	412
42	40	•(2) 5050	Mortise 312V	896S
43	40	•(2) 5050	423N	896S
47	41	103NFS	422N	897N
45	42	•(2) 5050	335N	896S
47	43	•(2) 5050	423N	896S
50	43	103N, 134N	420N	897N
50	43	107S	220S	950S
51	43	159M	420N	897N
48	44	•(2) 5050	423N	896S
49	44	103NFS	422N	8434S
52	44	107N, 1038N, 3038N	420N	897N

• Indicates Two Rows of 5050 Installed as Follows:



# STC SEAL SETS

## SINGLE DOORS

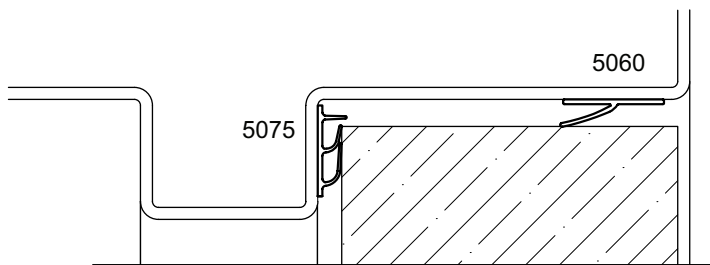
NGP Seal Sets maintain the static door panel STC with NO DROP OFF in an operable condition, up to the STC Rating indicated.

STC Seal Set	STC Rating	Perimeter Seals at Heads & Jambs	Door Bottom	Corner Pads	Threshold
1	33	5050 & 2525	312V X 131N	60FP (2 req.)	8144S*
2	45	5075 & 5060	312V X 131N	60FP (2 req.)	8144S*
3	52	5075 & 5060	335S X STC2	60FP (2 req.)	8144S*
4	52	5075 & 5060	12T6 X STC-FH	60FP (2 req.)	8144S*
5	52	5075 & 5060	225S X STC2	60FP (2 req.)	8144S*
6	52	5075 & 5060	None	None	896S-ADJ

\*optional

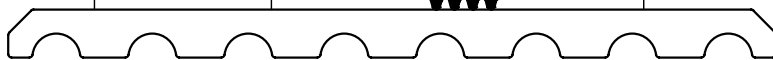
### STC Seal Set 3 Illustration

TOP OF FRAME  
HEADER / JAMB AND DOOR

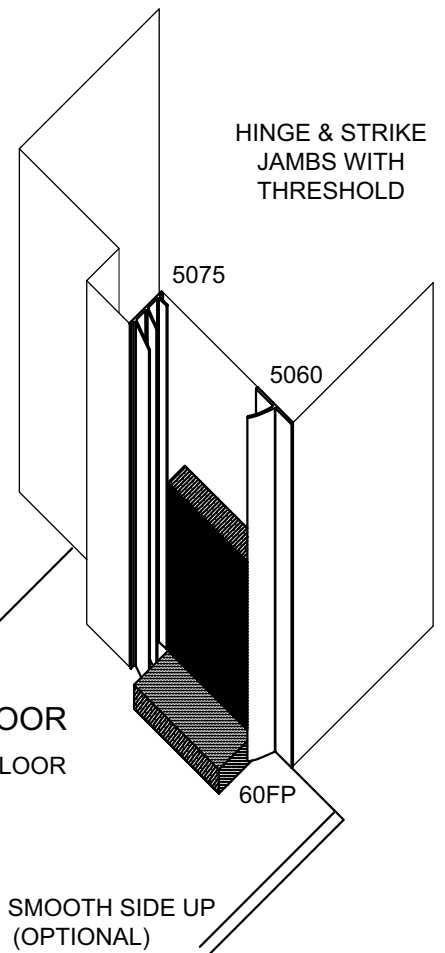


335S\*  
X  
STC2

BOTTOM OF DOOR  
THRESHOLD AND FLOOR



8144 SMOOTH SIDE UP  
(OPTIONAL)



8144 SMOOTH SIDE UP  
(OPTIONAL)

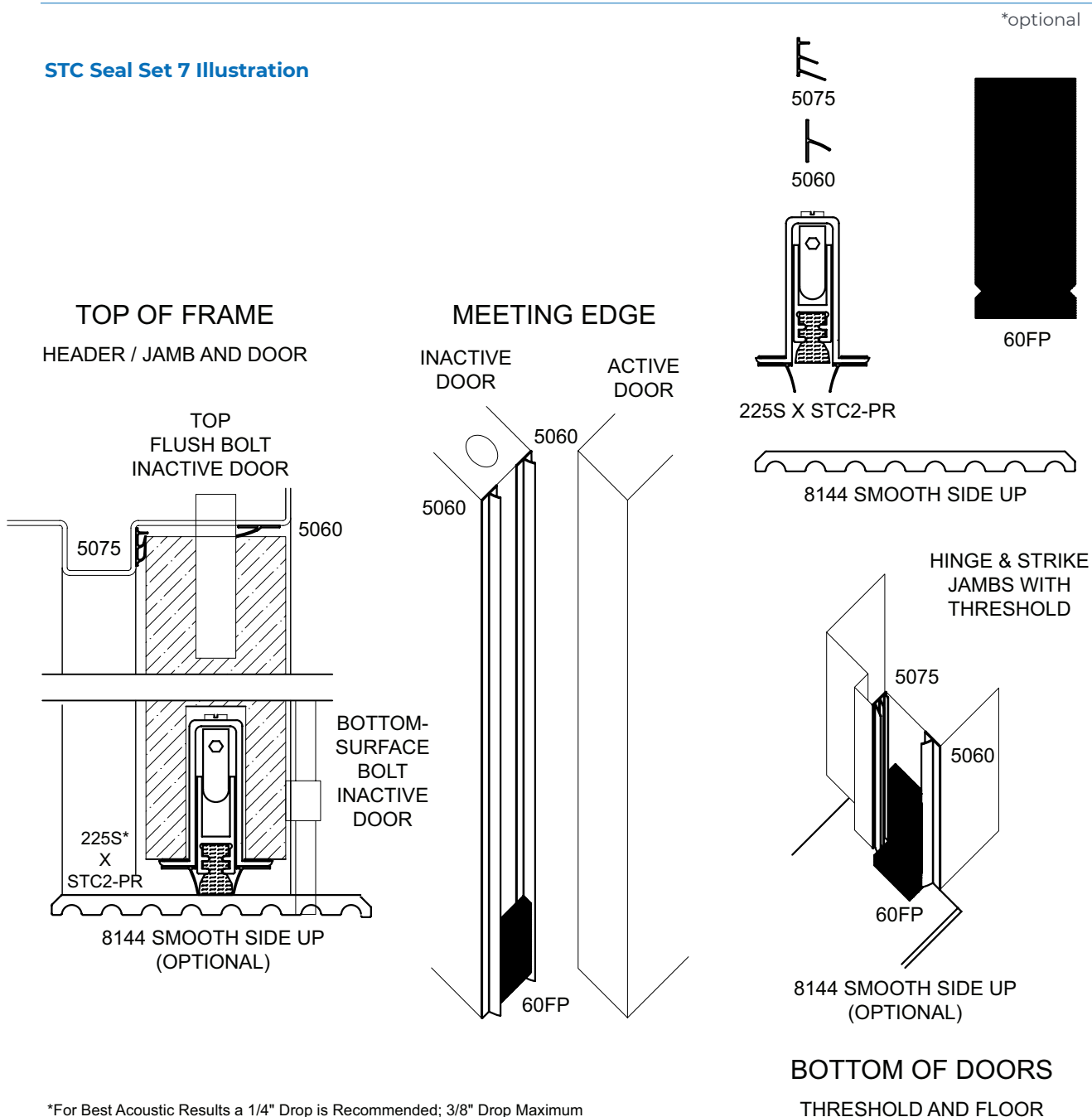
\*For Best Acoustic Results a 1/4" Drop is Recommended; 3/8" Drop Maximum

# STC SEAL SETS

## PAIRS OF DOORS

STC Seal Set	STC Rating	Perimeter Seals at Heads & Jambs	Door Bottom	Corner Pads	Meeting Edge Seals	Threshold
7	45	5075 & 5060	225S X STC2-PR	60FP (3 req.)	5060 (2 req.)	8144S*
8	45	5075 & 5060	12T6 X STC-FH	60FP (3 req.)	5060 (2 req.)	8144S*
9	45	5075 & 5060	335S X STC2-PR	60FP (3 req.)	5060 (2 req.)	8144S*

### STC Seal Set 7 Illustration



\*For Best Acoustic Results a 1/4" Drop is Recommended; 3/8" Drop Maximum

# SOUND TRANSMISSION CLASS (STC)

## RATED PAIRS OF DOORS

### SOUND TRANSMISSION CLASS (STC) RATED PAIRS OF DOORS

Pairs of doors are intrinsically more difficult to control sound transmission through. Sealing the gap between the meeting edges under the doors is challenging, requiring a combination of properly coordinated and installed gasketing to seal all gaps.

STC Rating Static Door Panel	STC Rating Operable Door w/ Gasketing	Perimeter Seals	Door Bottom	Threshold	Astragal
35	35	5020		896S	5070
35	35	5070		896S	5070
35	34	5020	780S	512	5070
35	33	5020		896S	5070

### STANDARD DOORS WITHOUT SPECIAL ACOUSTIC CORES

Solid core wood doors with gasketing test to an STC Rating of approximately 28 to 30. Mineral core wood doors and Honeycomb core hollow metal doors with gasketing test to an STC Rating of approximately 32 to 36. Without gasketing these doors have no sound control and test to an STC Rating between 15 and 20.

To most effectively reduce sound transmission and maximize the acoustic performance we recommend the following be used:

### PERIMETER AND DOOR BOTTOMS

- 107S** Perimeter Seal
- 700S** Seal at Head if a Parallel Arm Closer is Used
- 220S** Automatic Door Bottom  
(To Allow the Automatic Door Bottom to Properly Seal, Please Add a Threshold.)

### MEETING EDGE OF PAIRS

- 109N** Overlapping Astragal
- 5070** Adhesive Astragal
- 115N** Astragal Set

### SCHOOL CLASSROOM DOOR STC REQUIREMENTS

ANSI/ASA S12.60 Acoustical Performance Criteria, Design Requirements, and Guidelines for schools requires interior doors opening into core learning spaces to achieve STC 30 or greater in their operable condition and interior doors into music rooms at least STC 40.

The following interprets ANSI/BHMA numbers which identify type and function of products. For products that meet ANSI/BHMA Standards, look for the BHMA certified logo next to the product in our catalog. For a complete listing, refer to the BHMA Certified Products Directory, available online at [buildershardware.com](http://buildershardware.com)

## ANSI/BHMA A156.22

### AMERICAN NATIONAL STANDARD FOR DOOR GASKETING AND EDGE SEAL SYSTEMS

1 Product Section	2 Retainer Material	3 Gasketing Material	4 Product Type	5 Material Application	6 Gasketing Rating	
"R" designates Gasketing	1. Brass or Bronze 3. Aluminum 5. Stainless Steel 0. Optional Material or None Used	A. Brush B. Neoprene, Solid C. Neoprene, Closed Cell D. Vinyl E. Silicone Rubber F. Pile G. Thermoplastic Elastomer (TPE) H. Thermoplastic Urethane (TPU) J. Thermoplastic Rubber K. Spring Metal L. Magnetic M. Felt N. Rubber Fabric P. Intumescent Q. Intumescent/Brush R. Intumescent/Neoprene, Solid	S. Intumescent/Neoprene, Closed Cell T. Intumescent/Vinyl U. Intumescent/Silicone Rubber V. Intumescent/ Pile W. Intumescent/ Thermoplastic Elastomer (TPE) X. Intumescent/ Thermoplastic Urethane (TPU) Y. Optional Material or None Used Z. Intumescent/ Thermoplastic Rubber	1. Head & Jamb 2. Head & Jamb, Adjustable 3. Automatic Door Bottom 4. Door Sweep or Shoe 5. Door Sweep or Shoe with Drip Cap 6. Astragal Overlapping 7. Astragal Split or Compensating 8. Astragal Adjustable 9. Rain Drip Without Gasket 0. Other	1. Door Edge 2. Door Edge, Mortise 3. Door Face 4. Door Face, Semi-Mortise 5. Frame Rabbet (Surface or Mortise) 6. Frame Soffit (H.M.) 7. Frame Face 8. Kerf 9. Stop (H.M.), Stop Face (WD) 0. Other	0. Smoke/Energy Performance/Acoustic Rated 1. Smoke/Energy Performance Rated 2. Smoke/Acoustic Rated 3. Energy Performance/Acoustic Rated 4. Smoke Rated 5. Energy Performance Rated 6. Items Not Rated 7. Acoustic Rated

# INTERNATIONAL BUILDING CODE (IBC)

The International Building Code (IBC) requires swinging fire doors to be tested in accordance with ANSI/UL 10C or NFPA 252, with the neutral pressure level established at 40 inches or less above the sill. This causes “positive pressure” forces against the door assembly above 40 inches.

The result is hot gases and smoke leak out between the door and frame above this level, posing a serious threat to life and safety; and on wood doors rapidly deteriorating the integrity of the door edges, requiring either a built-in or supplemental “edge sealing system” to pass the test.

Fire door assemblies in corridors and smoke barrier walls are required to be smoke and draft control assemblies tested in accordance with UL1784 allowing a maximum air leakage of 3 cubic feet per minute per square foot of door opening at ambient temperature (75°F) and elevated temperature (400°F). These assemblies require the letter “S” on the fire rating label of the door indicating compliance “when listed or labeled gasketing is also installed.”

Fire doors are classified into category A or B based upon their construction and edge sealing system requirements. Fire-rated gasketing is classified as follows:



**Category G** - Edge Sealing Systems



**Category H** - Smoke and Draft Control Gasketing



**Category J** - Gaskets other than Category G or H.

## Category A Classified Fire Doors

**Hollow Metal Fire-Rated Doors**  
**Wood Fire-Rated Doors constructed with edge seals built-in** during the manufacturing process.

**Require Category H** – Smoke and Draft Control Gasketing at **perimeter** and at **meeting edge of pairs** of “S” label doors in corridor locations or smoke barrier walls.

**Require Category H** – Smoke and Draft Control **door bottom seals** on “S” label doors where pressurization is provided to restrict smoke movement (typically controlled by HVAC system).

The following products are recommended UL Classified Category H for wood doors - 90 min. max., hollow metal doors - 3 hour max.



Perimeter: 2525, 5020, 5040, 5050, 5070, 5075



Meeting edge of pairs: 115N, 125N, 137N, 137S, 5070, 9115, 9125, 9600, 9605

## Category B Classified Fire Doors

**Wood Fire-Rated Doors that require the addition of a Category G classified edge sealing system** in the field.

**Require Category G** – Edge Sealing System, at **perimeter** and at **meeting edge of pairs**.

**Require Category H** – Smoke and Draft Control Gasketing at **perimeter** and at **meeting edge of pairs** of “S” label doors in corridor locations or smoke barrier walls.

**Require Category H** – Smoke and Draft Control **door bottom seals** on “S” label doors where pressurization is provided to restrict smoke movement (typically controlled by HVAC system).

The following products are recommended UL Classified for both category G and H:



Perimeter 20 minute: 5050  
Perimeter 45, 60, 90 minute: 9450, 9550, 9750, 9850




Meeting edge of pairs: 9550

# SELF-ADHESIVE SILICONE GASKETING

## SILICONE BULB FIRE AND SMOKE SEAL

### Edge Sealing System - Category G for 20 Minute Rated Category B Wood Doors Perimeter Application Up To:

Single Swing 4'0 X 8'0  
 Pairs 8'0 X 8'0  
 Use 9550 at the Meeting Edge of Pairs

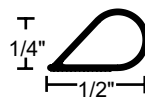
 Smoke and Draft Control - Category H  
 Up To 3 hours Hollow Metal Fire Doors  
 Up To 90 Minutes Wood Fire Doors



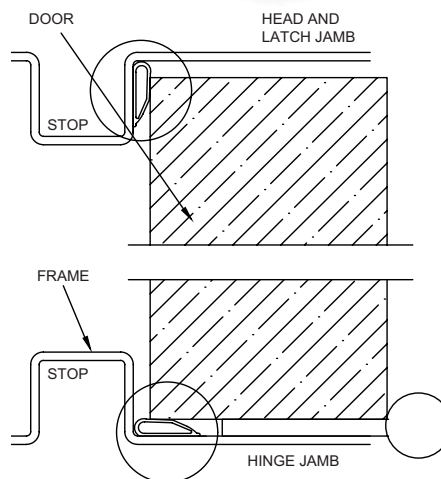
Meets Requirements of RoHS Directive  
 See Adhesive Specifications on Page G15

<b>5050B</b>	Brown
<b>5050C</b>	Charcoal
<b>5050W</b>	White
<b>5050CL</b>	Clear

Available in 17', 20', 21', 25' and 300'\* Rolls  
 \*Clear Not Available in 21' or 300' Rolls

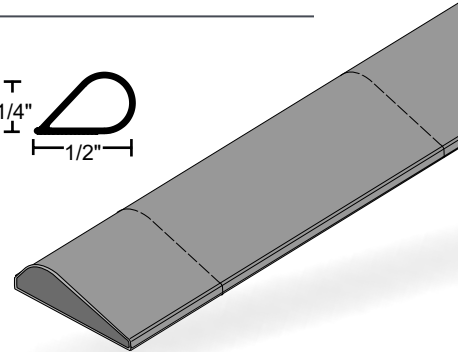
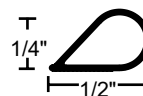


**Pictured:**  
**5050B**  
 (Brown)



## ANTI-LIGATURE SILICONE BULB FIRE AND SMOKE SEAL

- Anti-Ligature Feature has Serrations Every 8" Designed to Break Apart Preventing it From Being Used to Hang or Strangle.
- Applications Include Psychiatric Facilities, Prisons and Other Treatment Facilities.
- Installs as a Continuous Length Providing the Same Sealing Properties for Light, Sound, Air and Smoke as Our Original 5050.



### **ANTI-LIG 5050C** Charcoal

Available in 17' and 300' Rolls



### Edge Sealing System - Category G for 20 Minute Rated Category B Wood Doors Perimeter Application Up To:

Single Swing 4'0 X 8'0  
 Pairs 8'0 X 8'0  
 Use 9550 at the Meeting Edge of Pairs



Smoke and Draft Control - Category H Up To 3 Hours Hollow Metal Fire Doors Up To 90 Minutes Wood Fire Doors



Meets Requirements of RoHS Directive  
 See Adhesive Specifications on Page G15

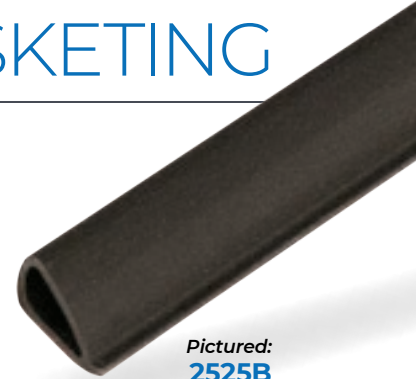
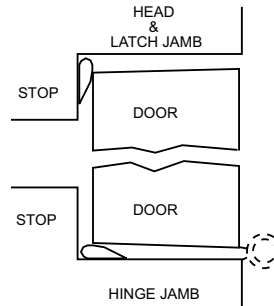
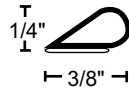
# SELF-ADHESIVE SILICONE GASKETING

## SILICONE BULB SMOKE SEAL

Available in 17', 20', 25' and 300' Rolls



<b>2525B</b>	Brown
<b>2525C</b>	Charcoal



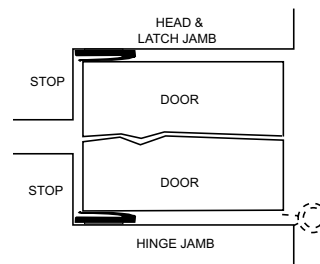
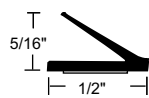
**Pictured:**  
**2525B**  
(Brown)

## SILICONE FIN SMOKE SEAL

Available in 17', 20', 25', 300' Rolls



<b>5040B</b>	Brown
--------------	-------



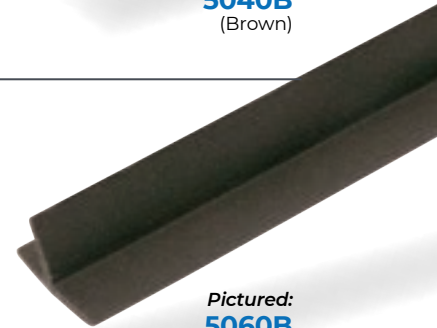
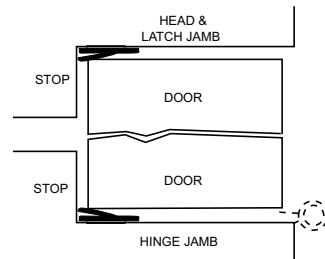
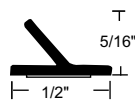
**Pictured:**  
**5040B**  
(Brown)

## SILICONE FIN SMOKE SEAL

Available in 17' and 21' Rolls



<b>5060B</b>	Brown
<b>5060C</b>	Charcoal



**Pictured:**  
**5060B**  
(Brown)

## ADHESIVE SPECIFICATIONS

Modified acrylic pressure sensitive adhesive protected by release liner. Provides high initial adhesion and long-term holding power for permanent mounting in exterior or interior locations. Resistant to aging, weathering, UV radiation, water, detergent, alcohol and the influence of chemicals. End use temperature range, long term exposure -30°F up to 250°F. Shelf life of adhesive prior to installation is one year when stored at 75°F and 50% relative humidity or less.



# SELF-ADHESIVE TPE GASKETING

## PROPERTIES:

- ▶ Thermoplastic Elastomer (TPE)
- ▶ Good Abrasion Resistance
- ▶ Moisture-Resistant
- ▶ BHMA Certified to ANSI/BHMA A156.22 Performance Tests for Heat, Cold, Air Infiltration and Energy Performance
- ▶ Rigid Base With Flexible Elastomeric Fins
- ▶ Flame-Resistant
- ▶ Temperature Range -60°F to 275°F

- ▶ Anti-Microbial: Treated With an Anti-Microbial Additive to Inhibit the Growth of Microorganisms
- ▶ REACH and RoHS Compliant
- ▶ Adhesive Specifications Shown on Page G15



**Pictured:**  
**5020C**  
(Charcoal)

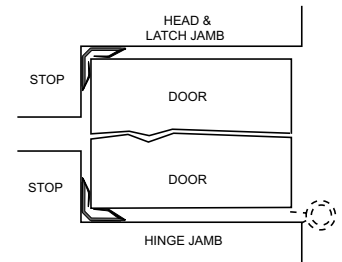
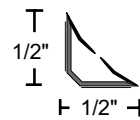
## TPE BATWING SMOKE SEAL

Available in 3', 4', 6', 7', 8' and 9' Lengths



<b>5020C</b>	Charcoal
<b>5020CL</b>	Clear

\* Anti-Microbial Not Available in Clear



# SELF-ADHESIVE SILICONE GASKETING

## PROPERTIES:

- Self-Adhesive Silicone Rubber
- Good Abrasion Resistance
- BHMA Certified to ANSI/BHMA A156.22 Performance Tests for Heat, Cold and Energy Performance
- Temperature Range -80°F to 600°F
- Adhesive Specifications Shown on Page G15

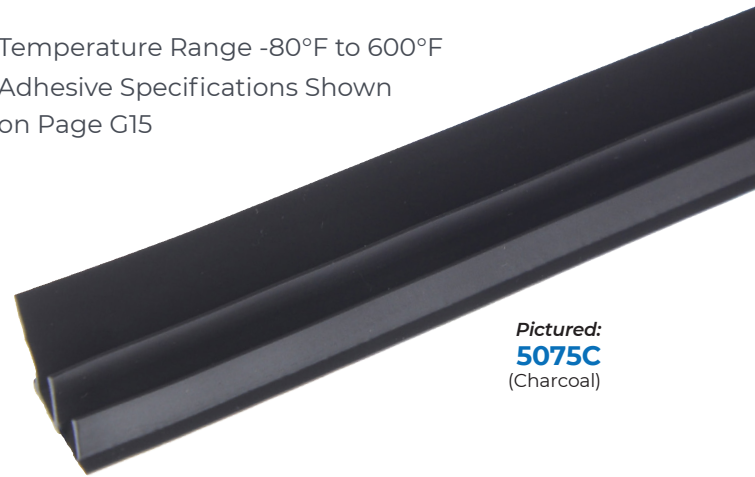
## FLEXIBLE TRIPLE FIN SMOKE SEAL

Available in 17', 21', 25" and 300' Rolls

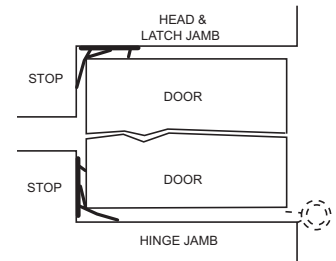
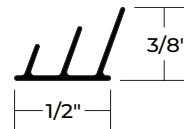
\*300' Not Available in White



<b>5075B</b>	Brown
<b>5075C</b>	Charcoal
<b>5075CL</b>	Clear
<b>5075W</b>	White*



*Pictured:*  
**5075C**  
(Charcoal)



## SILICONE DOUBLE SHARK FIN SMOKE SEAL

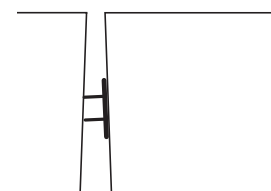
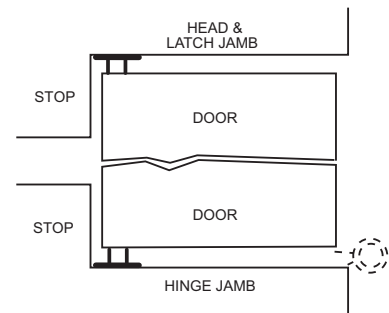
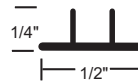
Smoke-Rated for Perimeter and/or Meeting Edge

Astragal Applications

Available in 48", 84", 96" and 108"



<b>5070B</b>	Brown
<b>5070CL</b>	Clear



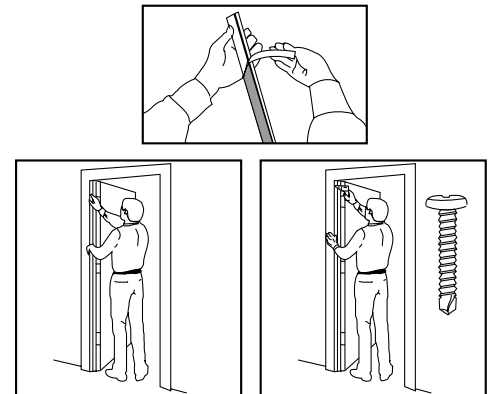
Astragal Application  
Pair of Doors

# SELF-ADHESIVE GASKETING

## FATT

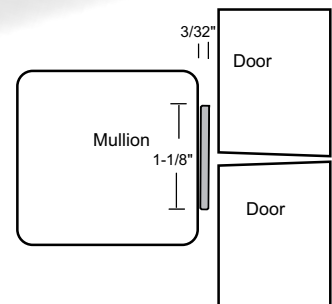
### FAST ATTACH TWO-WAY TAPE

- ▶ Fast Attach Two-Way Tape Provides an Easy and Effective Alternative for Gasketing Installation. Two-Way Tape is Applied to the Metal Housing Insuring a Quick and Easy Installation. Then for Security, 3 Tek-type Self-Drilling Screws are Provided to Further Secure Each Piece of Material to the Frame Stop. A No-Problem Installation With No Holes to Drill.
- ▶ To Order Add Suffix "FATT" to Product Number. See Price List for Products Available With this Feature.
- ▶ FATT IS NOT CLASSIFIED FOR USE ON FIRE DOORS.



# SEAL FOR MULLION APPLICATIONS

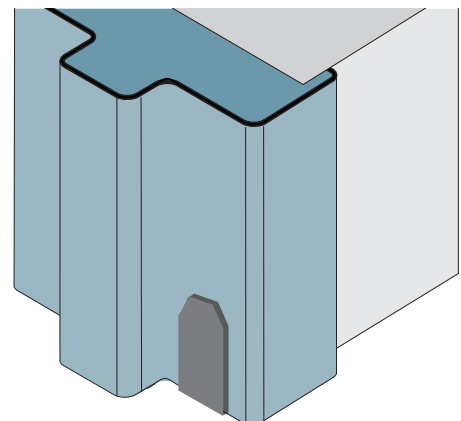
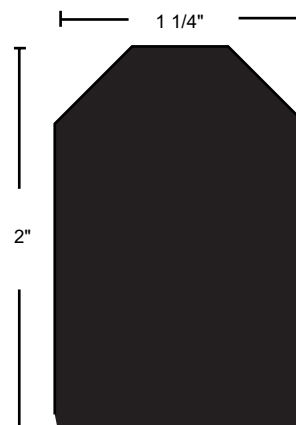
- ▶ Closed Cell Silicone Sponge Strip  
1 1/8" Wide x 3/32" Thick With an Adhesive Strip for Mounting Directly to the Face of the Mullion That Doors Close Against
- ▶ Available in 86" and 96" Lengths
- ▶ Self-Adhesive: See Adhesive Specifications on Page G15



**5100N** Black Silicone

### CORNER PAD

- ▶ Helps Acoustics and Seals Corner Gap for Air Leakage Control. Apply to Jamb on Hinge Side, Opposite Bottom Corner of Door Edge.
- ▶ Self-Adhesive: See Adhesive Specifications on Page G15



**54CP** Black Polypropylene Pile

# NGP-EDGE® SEALING SYSTEM

CATEGORY G AND H CLASSIFIED SMOKE & DRAFT CONTROL

## INTUMESCENT WITH TPE FIN FIRE AND SMOKE SEAL



**20, 45, 60, 90 Minute Rated Category B Wood Doors Perimeter**

**Application Up To:**

Single Swing 4'0 X 9'0  
 Standard Pair 8'0 X 9'0 Use 9550 at the Meeting Edge

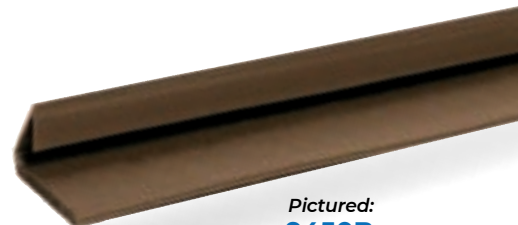
1/8" Clearance Required Between Door and Frame

Available in 36", 48", 84", 96" and 108" Lengths

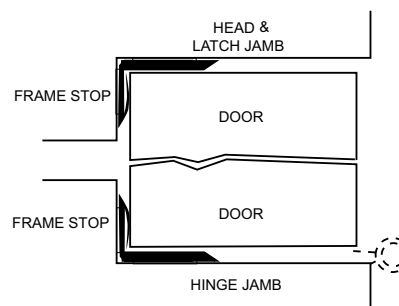
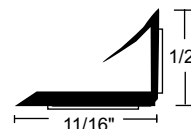
Self-Adhesive: See Adhesive Specifications on Page G15



<b>9450B</b>	Brown
<b>9450C</b>	Charcoal



**Pictured:**  
**9450B**  
(Brown)



## NGP-EDGE® INTUMESCENT WITH TPE FINS FIRE AND SMOKE SEAL



**20, 45, 60, 90 Minute Rated Category B Wood Doors Up To:**

Single Swing 4'0 X 9'0, Perimeter Application  
 Pairs 8'0 X 9'0, Perimeter/Meeting Edge

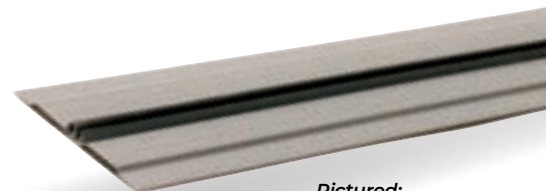
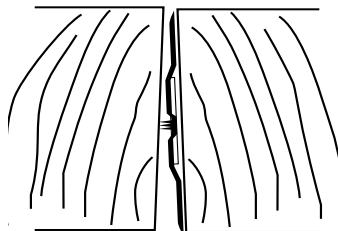
1/8" Clearance Required Between Doors and Between Door and Frame

Available in 36", 48", 84", 96" and 108" Lengths

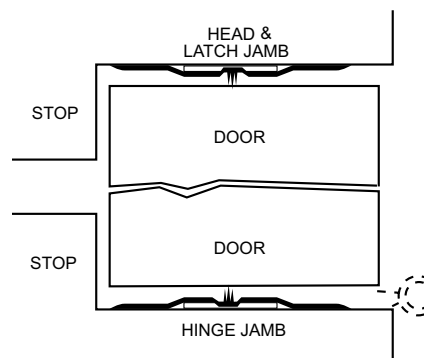
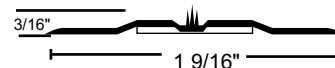
Self-Adhesive: See Adhesive Specifications on Page G15



<b>9550</b>	Gray
<b>9550DKB</b>	Brown



**Pictured:**  
**9550**  
(Gray)



# NGP-EDGE® SEALING SYSTEM

CATEGORY G AND H CLASSIFIED SMOKE & DRAFT CONTROL

## INTUMESCENT WITH TPE FIRE AND SMOKE SEAL



**20, 45, 60, 90 Minute Rated Category B Wood Doors Perimeter**

**Application Up To:**

Single Swing 4'0 X 9'0  
 Pairs 8'0 X 9'0

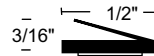
1/8" Clearance Required Between Door and Frame

Available in 36", 48", 84", 96" and 108" Lengths

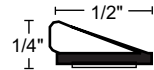
Self-Adhesive: See Adhesive Specifications  
 on Page G15



*Pictured:*  
**9750C**  
 (Charcoal)



**9850C** Charcoal



**9750C** Charcoal

# NGP-EDGE® SEALING SYSTEM

CATEGORY G CLASSIFIED

NGP Intumescent materials are formulated to expand at 375°F to 400°F up to 8-10 times their original thickness; completely sealing the gap around and between doors during a fire.

## INTUMESCENT FIRE SEAL

### Perimeter Application:

 **20, 45, 60, 90 Minute Rated Category B Wood Doors Up To:**

Single Swing 4'0 X 9'0  
Pairs 8'0 X 9'0

**Meeting Edge Application Up To 8'0 X 9'0 Pairs of Category B Wood Doors:**

 **20 Minute Rated with Single Strip Installed**

 **45, 60 Minute Rated with Two Strips Installed**

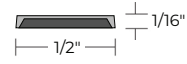
Intumescent With Protective Skin

Sold by the Foot: 3' Minimum to 490' Reel

Self-Adhesive: See Adhesive Specifications on Page G15



<b>9800GR</b>	Gray
<b>9800C</b>	Charcoal



**Pictured:**  
**9800C**  
(Charcoal)

## NGP-EDGE® INTUMESCENT FIRE SEAL

 **20, 45, 60, 90 Minute Rated Category B Wood Doors Up To:**

Single Swing 4'0 X 9'0, Perimeter Application  
Pairs 8'0 X 9'0, Perimeter/Meeting Edge

Intumescent With PVC Cover

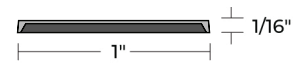
Sold by the Foot: 3' Minimum to 490' Reel

Self-Adhesive: See Adhesive Specifications on Page G15

U.S. Pat. DES 417,739



<b>9500GR</b>	Gray
<b>9500C</b>	Charcoal



*Perimeter Application*

**Pictured:**  
**9500GR**  
(Gray)



*Meeting Edge Application*

# VINYL SEALS

All Vinyl Seals This Section:

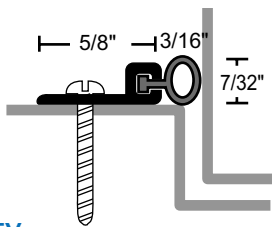


- ▶ Thermoplastic Polymer: Polyvinyl Chloride Formulated With an Environmentally Friendly Bio-Based Plasticizer
- ▶ Economical
- ▶ Flame-Resistant
- ▶ Moisture-Resistant
- ▶ Temperature Range 0°F to 140°F
- ▶ Oxidative Degradation From Age and Exposure to Cold, Heat and UV Causes Hardening, Loss of Memory and Resilience, Cracking, Cracking and Discoloration
- ▶ #6 x 3/4" Stainless Steel Sheet Metal Screws Furnished
- ▶ Screw Holes Slotted for Adjustment
- ▶ Vinyl is Black

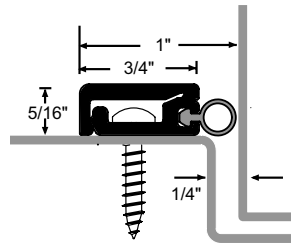
**160VA**  
Anodized Aluminum  
Vinyl Perimeter  
Seal

PRODUCT# SUFFIX	FINISH
<b>A</b>	Anodized Aluminum
<b>DKB</b>	Dark Bronze
<b>None</b>	Mill Aluminum

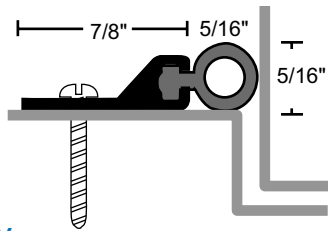
*Vinyl is Black*  
*-GR = Gray Vinyl*



**155V**  
**155VDKB**

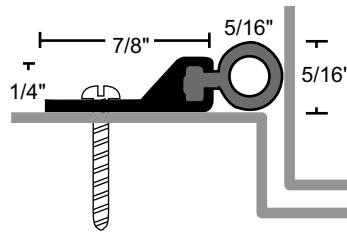


**172VA**  
**172VDKB**



**161V**  
**161VDKB**

.07 Aluminum for Military Specs

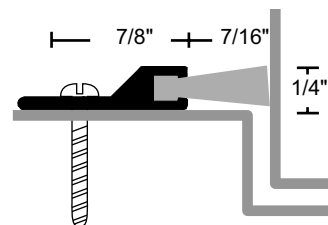


**152V**      **160V**      **164V**  
**152VA**      **160V-GR**      **164VA**  
**152VDKB**      **160VA**      **164VDKB**  
**156V**      **160VA-GR**  
**156VDKB**      **160VDKB**  
**160VDKB-GR**

# POLYPROPYLENE PILE SEALS

- ▶ Temperature Range 32°F to 275°F
- ▶ Pile is Gray

**185P**  
**185PA**  
**185PDKB**



# NEOPRENE SPONGE SEALS

All Products on This Page:



- ◆ Synthetic EPDM Rubber in Polypropylene Thermoplastic Matrix Closed Cell Advanced Elastomeric Foam
- ◆ Very Good Abrasion Resistance, Tensile Strength and Memory
- ◆ Flame-Resistant
- ◆ Moisture-Resistant
- ◆ Temperature Range -81°F to 275°F
- ◆ Good Resistance to Ozone, Sunlight and Aging
- ◆ BHMA Certified to ANSI/BHMA A156.22 Performance Tests for Heat and Cold
- ◆ #6 x 3/4" Stainless Steel Sheet Metal Screws Furnished
- ◆ Screw Holes Slotted for Adjustment
- ◆ Patent Pending Microcellular EPDM

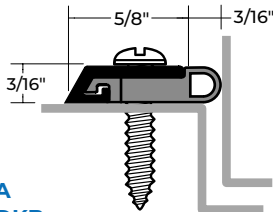
## 108NA

Anodized Aluminum  
Neoprene Sponge  
Seal

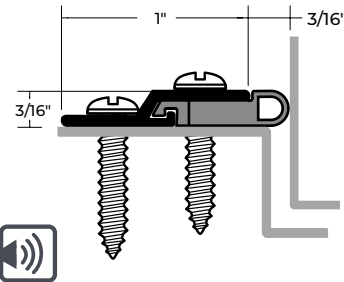


PRODUCT#	SUFFIX	FINISH
A		Anodized Aluminum
DKB		Dark Bronze

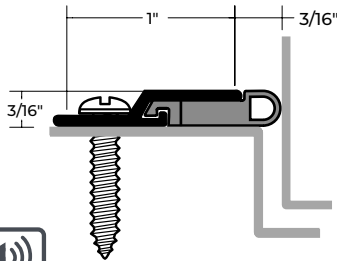
*Neoprene is Black*



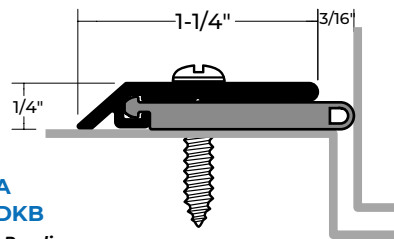
**110NA**  
**110NDKB**  
Patent Pending



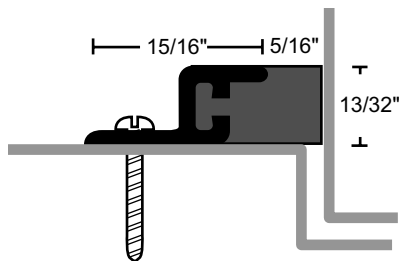
**120NA**  
**120NDKB**  
Patent Pending



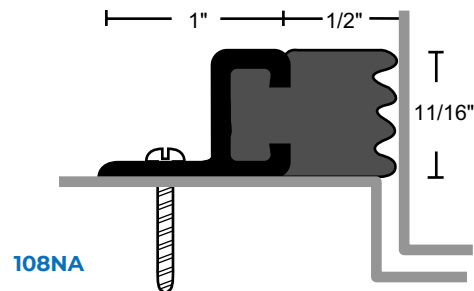
**127NA**  
**127NDKB**  
Patent Pending



**130NA**  
**130NDKB**  
Patent Pending



**122NA**  
**122NDKB**  
**133NA**  
**133NDKB**  
**165NA**  
**165NDKB**



**108NA**



# NEOPRENE BULB SEALS

All Neoprene Seals This Section:



- ▶ Synthetic EPDM Rubber in Polypropylene Thermoplastic Matrix
- ▶ Very Good Abrasion Resistance, Tensile Strength and Memory
- ▶ Flame-Resistant
- ▶ Moisture-Resistant
- ▶ Temperature Range -81°F to 275°F
- ▶ Good Resistance to Ozone, Sunlight and Aging
- ▶ BHMA Certified to ANSI/BHMA A156.22 Performance Tests for Heat and Cold
- ▶ #6 x 3/4" Stainless Steel Sheet Metal Screws Furnished
- ▶ Screw Holes Slotted for Adjustment

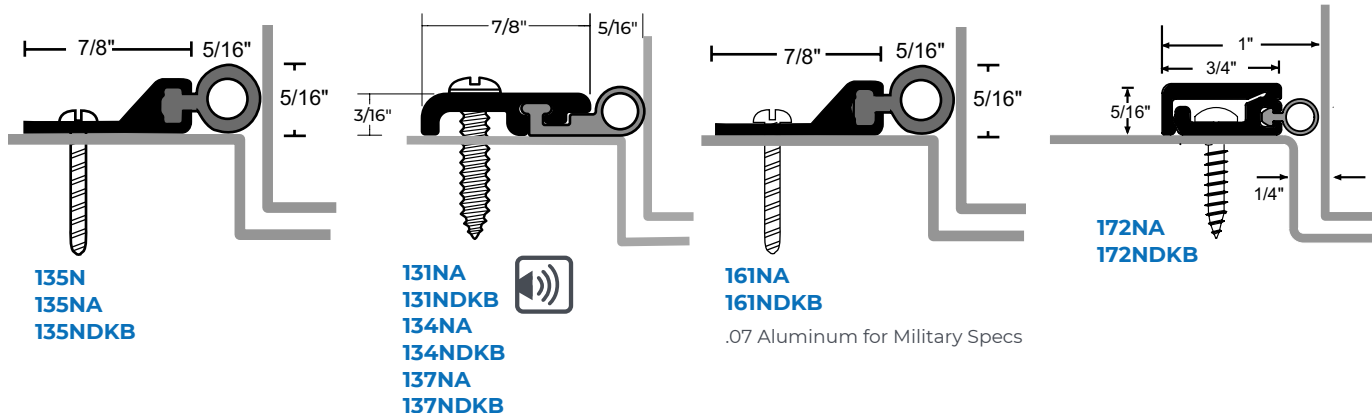
## 137NA

Anodized Aluminum  
Neoprene Bulb  
Perimeter Seal



PRODUCT#	SUFFIX	FINISH
	<b>A</b>	Anodized Aluminum
	<b>DKB</b>	Dark Bronze
	<b>None</b>	Mill Aluminum

*Neoprene is Black  
Polyurethane is Black*

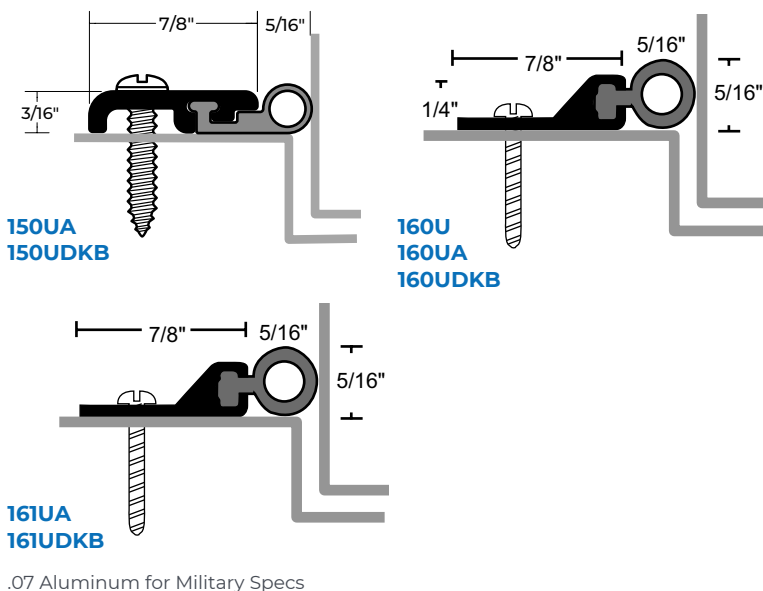


# POLYURETHANE SEALS

All Polyurethane  
Seals this Section:



- ▶ Very Good Abrasion Resistance, Tensile Strength, Memory and UV Resistance
- ▶ Flame-Resistant
- ▶ Moisture-Resistant
- ▶ Temperature Range -80°F to 200°F
- ▶ #6 x 3/4" Stainless Steel Sheet Metal Screws Furnished
- ▶ Screw Holes Slotted for Adjustment



# SILICONE SEALS

All Products on This Page:



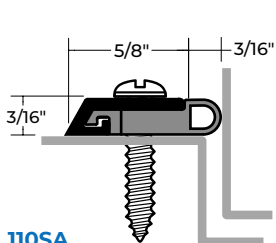
- ▶ Synthetic Rubber Polymer: Siloxane Closed Cell Sponge
- ▶ Excellent Flexibility and Memory
- ▶ Flame-Resistant
- ▶ Moisture-Resistant
- ▶ Temperature Range -100°F to 500°F, Remains Flexible at Extreme Temperatures
- ▶ Excellent Resistance to Ozone, UV and Aging
- ▶ Recommended for Areas Using FM200 or Halon Fire Suppression Systems
- ▶ BHMA Certified to ANSI/BHMA A156.22 Performance Tests for Heat and Cold
- ▶ #6 x 3/4" Stainless Steel Sheet Metal Screws Furnished
- ▶ Screw Holes Slotted for Adjustment
- ▶ Patent Pending Microcellular Silicone

**110SA**  
Anodized Aluminum  
Silicone Sponge Seal

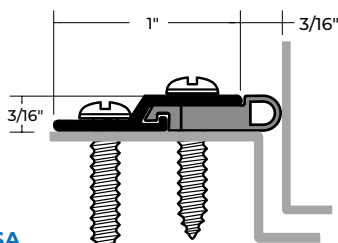


PRODUCT#	SUFFIX	FINISH
	<b>A</b>	Anodized Aluminum
	<b>DKB</b>	Dark Bronze
	<b>None</b>	Mill Aluminum

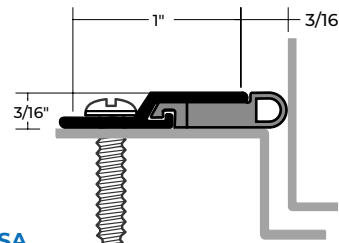
*Silicone Sponge is Black*



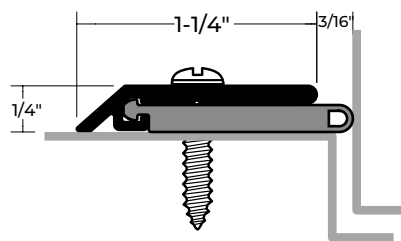
**110SA**  
**110SDKB**  
Patent Pending



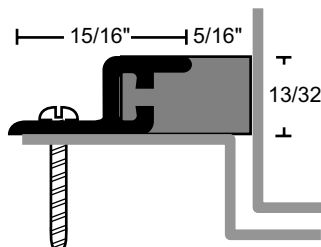
**120SA**  
**120SDKB**  
Patent Pending



**127SA**  
**127SDKB**  
Patent Pending



**130SA**  
**130SDKB**  
Patent Pending



**165SA**  
**165SDKB**

# SILICONE SEALS

All Silicone Seals This Section:



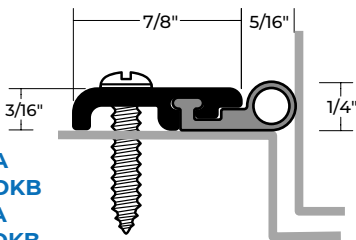
- ▶ Synthetic Rubber Polymer: Siloxane
- ▶ Excellent Flexibility and Memory
- ▶ Flame-Resistant
- ▶ Moisture-Resistant
- ▶ Temperature Range -100°F to 500°F, Remains Flexible at Extreme Temperatures
- ▶ Excellent Resistance to Ozone, UV and Aging
- ▶ Recommended for Areas Using FM200 or Halon Fire Suppression Systems
- ▶ BHMA Certified to ANSI/BHMA A156.22 Performance Tests for Heat, Cold, Air Infiltration and Smoke Infiltration
- ▶ #6 x 3/4" Stainless Steel Sheet Metal Screws Furnished
- ▶ Screw Holes Slotted for Adjustment

**137SA**  
Anodized Aluminum  
Silicone Dense Bulb  
Perimeter Seal

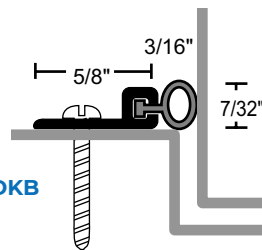


PRODUCT#	SUFFIX	FINISH
	<b>A</b>	Anodized Aluminum
	<b>DKB</b>	Dark Bronze
	<b>None</b>	Mill Aluminum

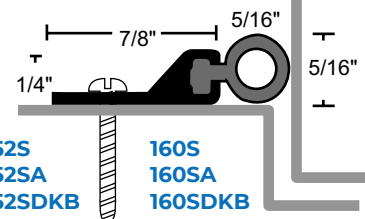
*Dense Silicone is Black*



**134SA**  
**134SDKB**  
**137SA**  
**137SDKB**

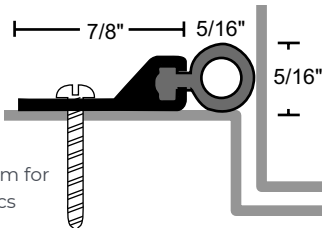


**155S**  
**155SDKB**

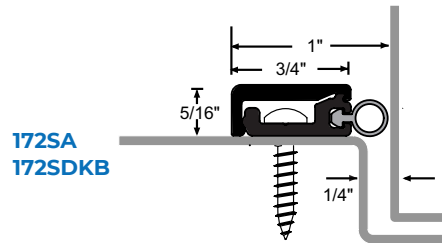


**152S**  
**152SA**  
**152SDKB**  
**156S**  
**156SDKB**

**160S**  
**160SA**  
**160SDKB**  
**162S**  
**162SA**  
**162SDKB**



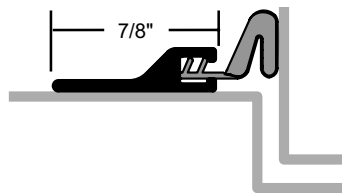
**161SA**  
**161SDKB**  
.07 Aluminum for  
Military Specs



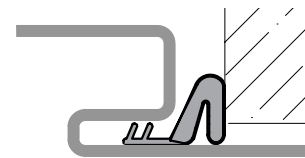
**172SA**  
**172SDKB**

# FOAM SEALS

- ▶ Seamless Compression Seals Are Nearly 100% Closed Cell to Prevent Water From Penetrating Foam Cell Structure
- ▶ Extruded Skin Provides a Unique UV Resistant Barrier With Design Features that Enhance the Weather Strip's Sealing Performance
- ▶ Compression: Recommended = 25% Minimum = 10% Maximum = 50%
- ▶ Achieves AAMA 702 Class "A" Extra High Performance Certification



PRODUCT#	INSERT	FINISH
<b>384B</b>	Brown	Mill
<b>384BA</b>	Brown	Anodized
<b>384BDKB</b>	Brown	D. Bronze



**388B** Brown

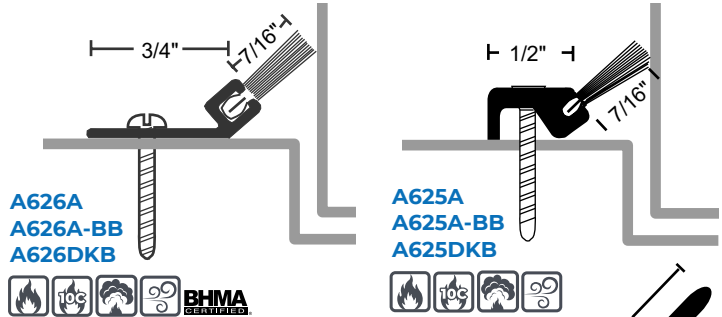
.355 Kerf Mount Foam Profile Designed to Fit a Kerf Slot With a Width of .105" and Minimum Depth of .250.

# NYLON BRUSH SEALS

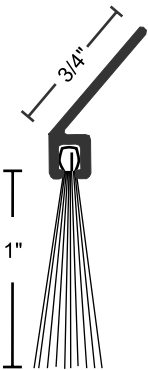
- ▶ Synthetic Polymer: Polyamide
- ▶ Excellent Abrasion Resistance, Flexibility and Memory
- ▶ Moisture-Resistant
- ▶ Retains Insecticides Well
- ▶ Temperature Range -70°F to 425°F
- ▶ BHMA Certified to ANSI/BHMA A156.22 Performance Tests for Heat and Cold, in Most Common Profiles as Indicated by BHMA Certified Symbol
- ▶ REACH and RoHS Compliant
- ▶ Not Effective Against Water Penetration
- ▶ #6 x 3/4" Stainless Steel Sheet Metal Screws Furnished
- ▶ Screw Holes Slotted for Adjustment

PRODUCT# SUFFIX	INSERT	FINISH
A	Gray Brush*	Anodized Aluminum
DKB	Black Brush	Dark Bronze
None	Gray Brush*	Mill Aluminum

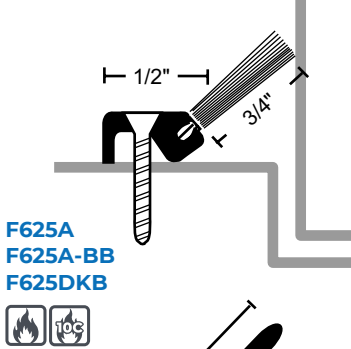
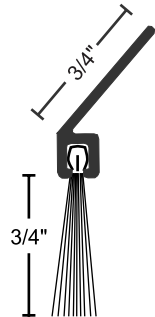
-BB = Black Brush



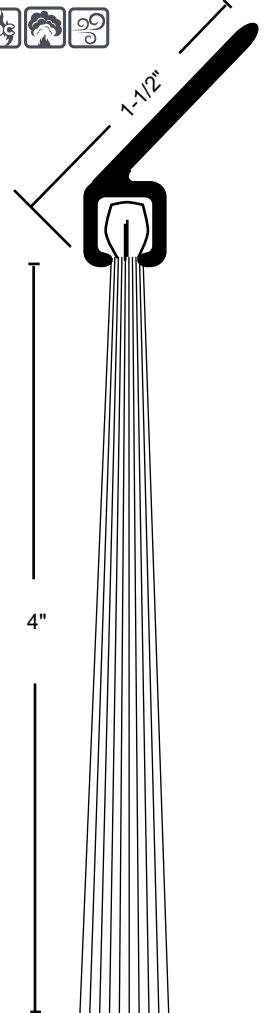
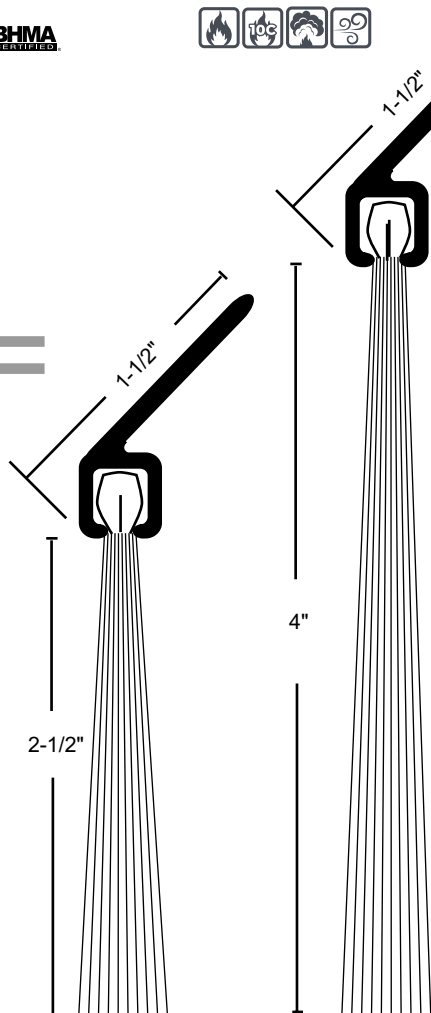
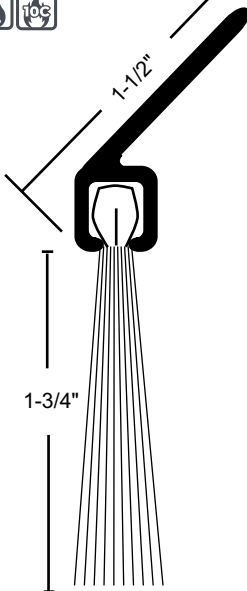
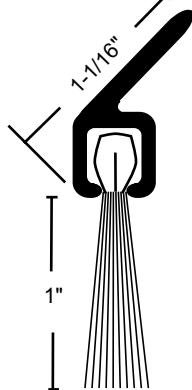
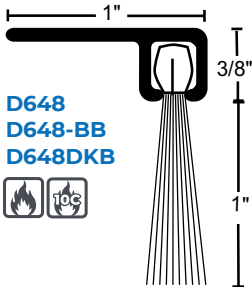
**603A**  
603A-BB  
603DKB



**602A**  
602A-BB  
602DKB

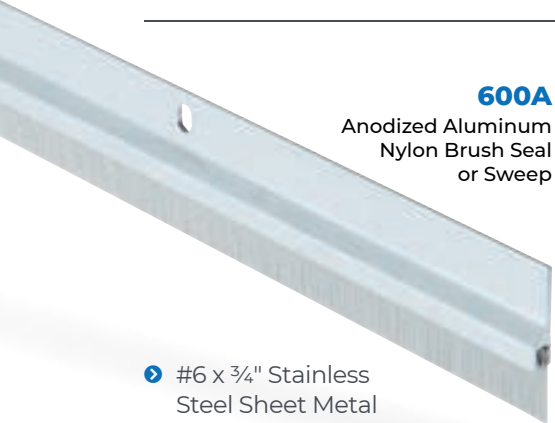


**D648**  
D648-BB  
D648DKB



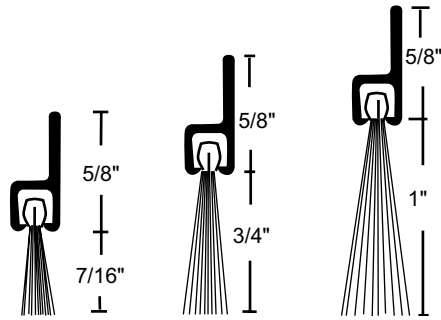
\* Up To 3 Hours Metal Doors,  
1 Hour Wood Doors

# NYLON BRUSH SEALS



**600A**  
Anodized Aluminum  
Nylon Brush Seal  
or Sweep

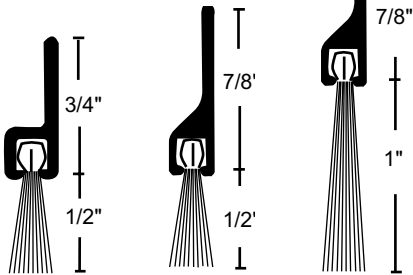
▶ #6 x 3/4" Stainless Steel Sheet Metal Screws Furnished. Screw Holes Slotted for Adjustment.



**A605A**  
**A605A-BB**  
**A605DKB**

**OV634A**  
**OV634A-BB**  
**OV634DKB**

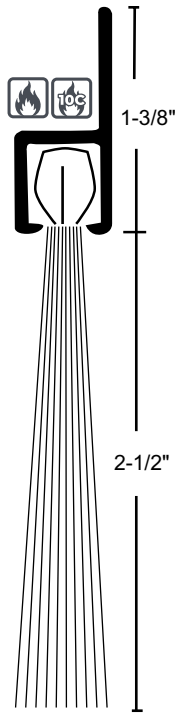
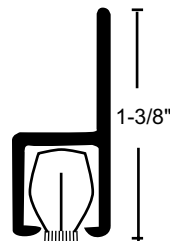
**OV633A**  
**OV633A-BB**  
**OV633DKB**



**B606A**  
**B606A-BB**  
**B606DKB**

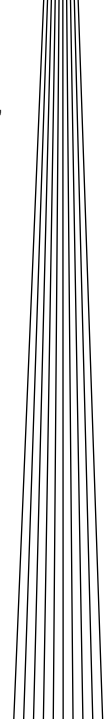
**600**  
**600-BB**  
**600A**  
**600A-BB**  
**600DKB**

**601**  
**601-BB**  
**601A**  
**601A-BB**  
**601DKB**



**H612A**  
**H612A-BB**  
**H612DKB**

**G610A**  
**G610A-BB**  
**G610DKB**



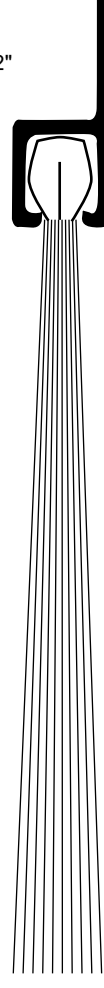
**I-615A**  
**I-615A-BB**  
**I-615DKB**



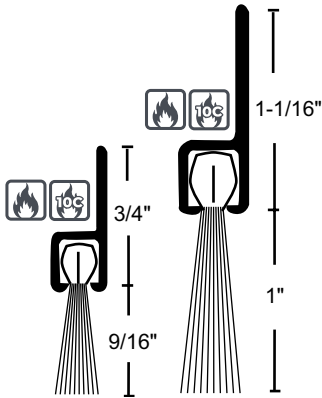
**G611A**  
**G611A-BB**  
**G611DKB**



**H614A**  
**H614A-BB**  
**H614DKB**



**I-616A**  
**I-616A-BB**  
**I-616DKB**



**C607A**  
**C607A-BB**  
**C607DKB**

**D608A**  
**D608A-BB**  
**D608DKB**



# PERIMETER SEALS

COMPATIBLE WITH PARALLEL ARM CLOSERS

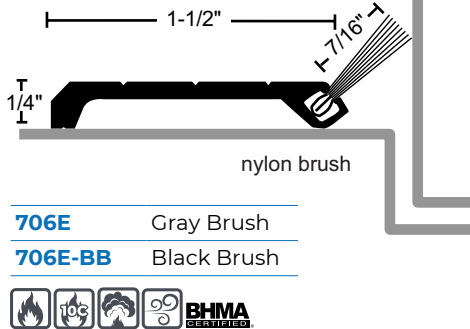
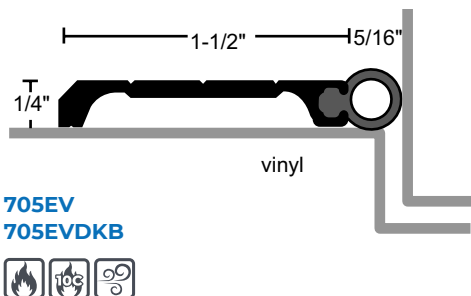
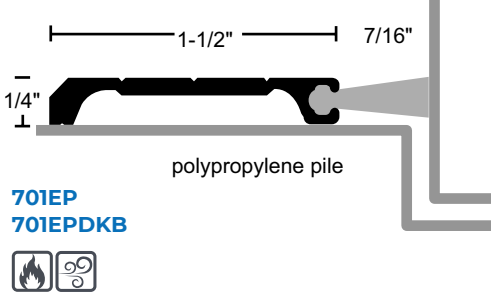
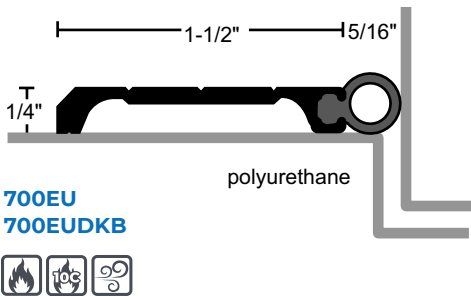
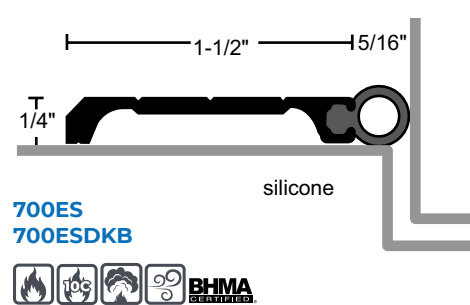
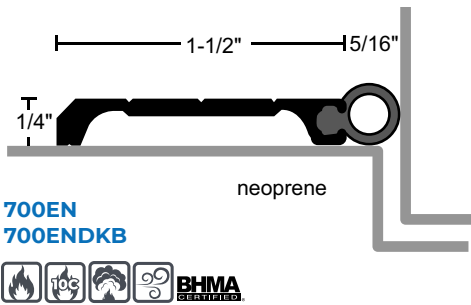
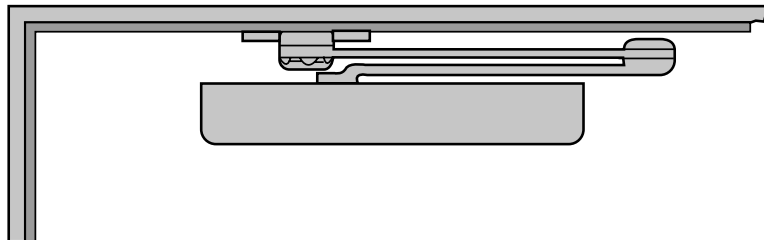
- ▶ No Break in Seal for Closer Mounting
- ▶ Closer and/or Overhead Holder Attach to Frame Through Weatherseal Section. Install Seal First
- ▶ Allows Mounting of Rim Exit Device Strikes Without Notching Gasketing
- ▶ Head Section Not Drilled
- ▶ Jamb Sections Furnished With Slotted Holes for Adjustment
- ▶ Self-Drilling #8 (Tek-type) Screws Furnished



**700ES**  
Mill Aluminum  
Silicone Perimeter Seal

PRODUCT#	SUFFIX	FINISH
	<b>A</b>	Anodized Aluminum
	<b>DKB</b>	Dark Bronze
	<b>None</b>	Mill Aluminum

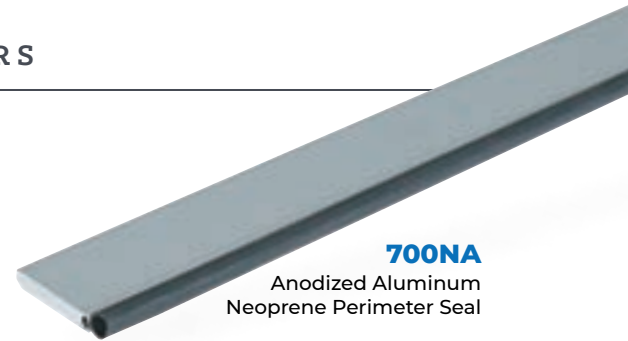
*Pile is Gray  
Vinyl, Neoprene, Silicone and  
Polyurethane are Black  
-BB = Black Brush*



# PERIMETER SEALS

## COMPATIBLE WITH PARALLEL ARM CLOSERS

- ▶ No Break in Seal for Closer Mounting
- ▶ Closer and/or Overhead Holder Attach to Frame Through Weatherseal Section. Install Seal First
- ▶ Allows Mounting of Rim Exit Device Strikes Without Notching Gasketing
- ▶ Head Section Not Drilled
- ▶ Jamb Sections Furnished With Slotted Holes for Adjustment
- ▶ Self-Drilling #8 (Tek-type) Screws Furnished

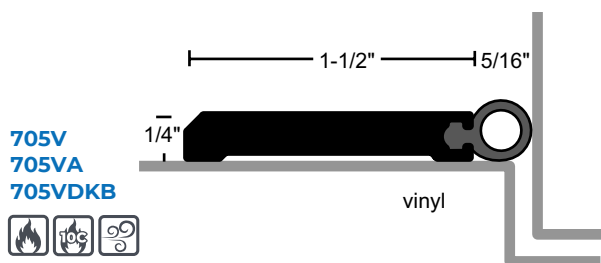
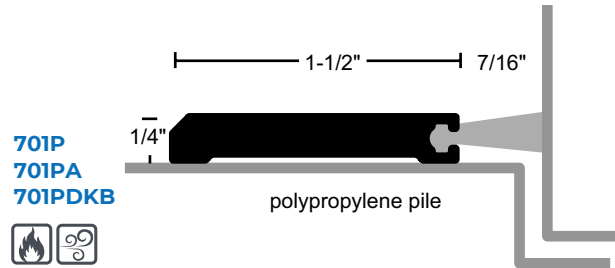
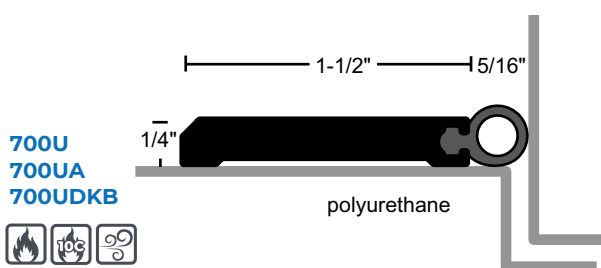
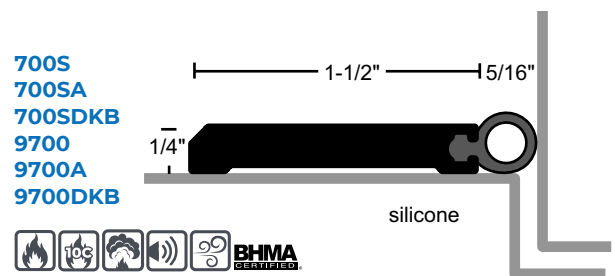
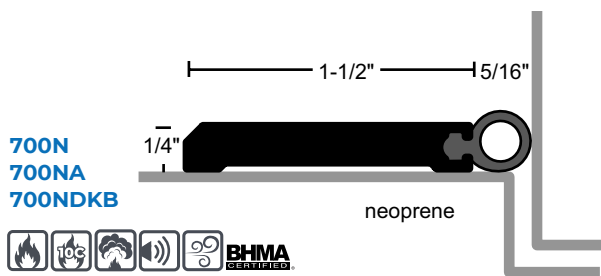


### 700NA

Anodized Aluminum  
Neoprene Perimeter Seal

PRODUCT#	
SUFFIX	FINISH
<b>A</b>	Anodized Aluminum
<b>DKB</b>	Dark Bronze
<b>None</b>	Mill Aluminum

*Pile is Gray  
Vinyl, Neoprene, Silicone and  
Polyurethane are Black*

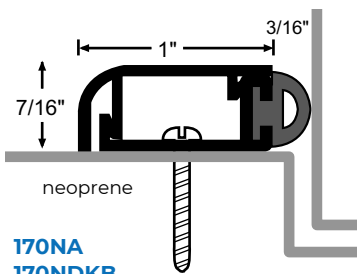
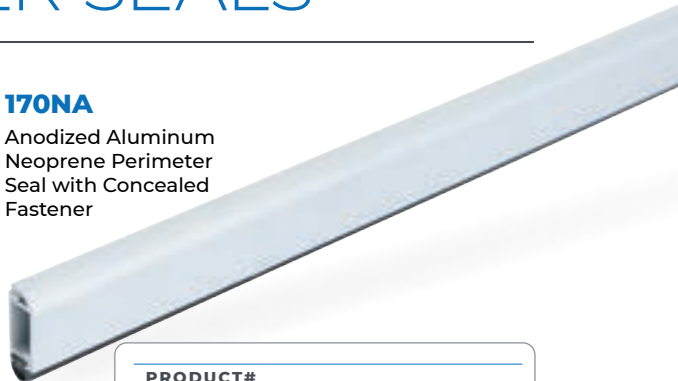


# CONCEALED FASTENER SEALS

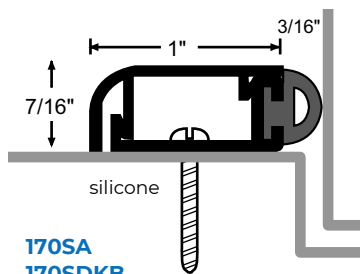
- ▶ Snap-On Cover Conceals Screw Heads for Clean Appearance
- ▶ #6 x 3/4" Stainless Steel Sheet Metal Screws Furnished
- ▶ Screw Holes Slotted for Adjustment

## 170NA

Anodized Aluminum  
Neoprene Perimeter  
Seal with Concealed  
Fastener



**170NA**  
**170NDKB**

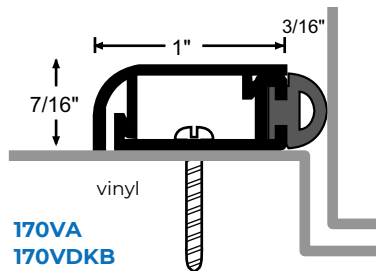


**170SA**  
**170SDKB**

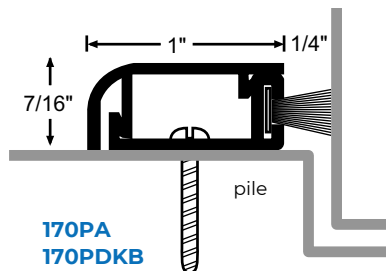


PRODUCT#	SUFFIX	FINISH
	<b>A</b>	Anodized Aluminum
	<b>DKB</b>	Dark Bronze
	<b>None</b>	Mill Aluminum

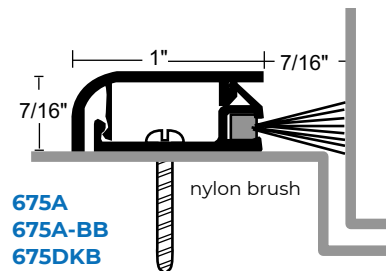
*Pile is Gray  
Vinyl, Neoprene, NGP-TPV &  
Silicone are Black  
Nylon Brush is Gray with Anodized  
Alum and Black with DKB Metal.  
-BB = Black Brush*



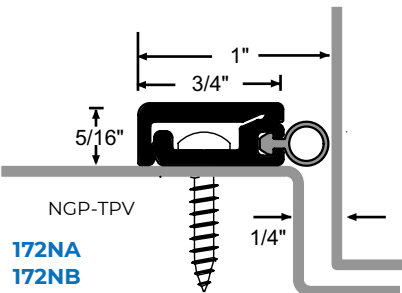
**170VA**  
**170VDKB**



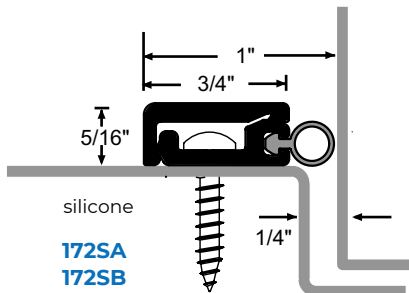
**170PA**  
**170PDKB**



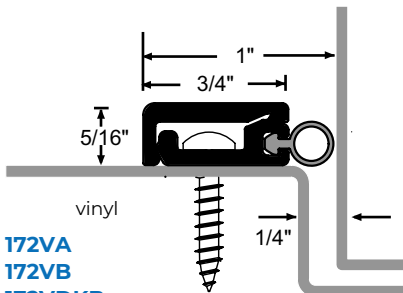
**675A**  
**675A-BB**  
**675DKB**



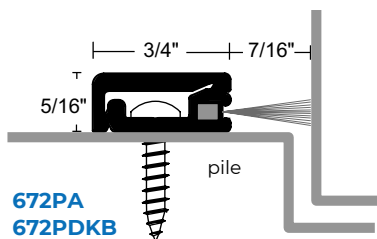
**172NA**  
**172NB**  
**172NDKB**



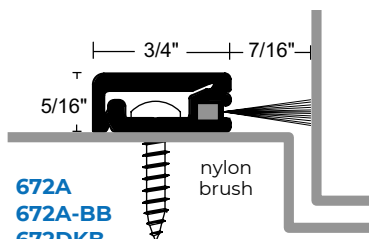
**172SA**  
**172SB**  
**172SDKB**



**172VA**  
**172VB**  
**172VDKB**



**672PA**  
**672PDKB**



**672A**  
**672A-BB**  
**672DKB**



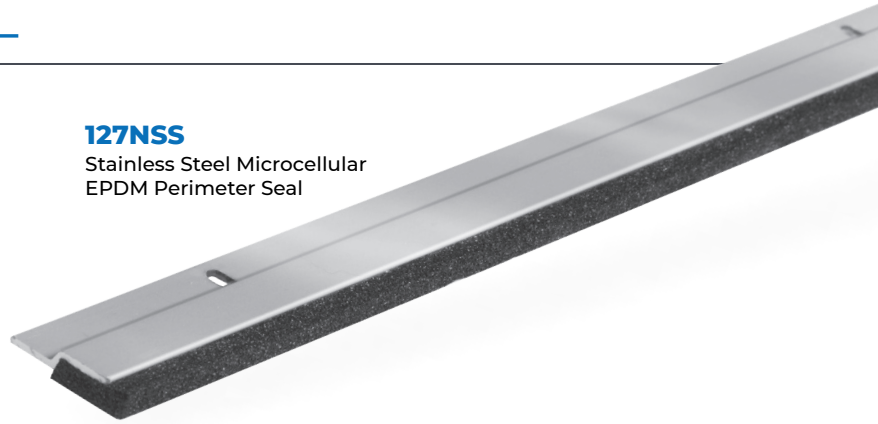


# STAINLESS STEEL

- ▶ Stainless Steel Type 304 Brushed #4 Finish (US32D, 630)
- ▶ #6 x 3/4" Stainless Steel SMS Furnished
- ▶ Screw Holes Slotted for Adjustment
- ▶ Microcellular EPDM, Silicone, Neoprene, Polyurethane are Black

## 127NSS

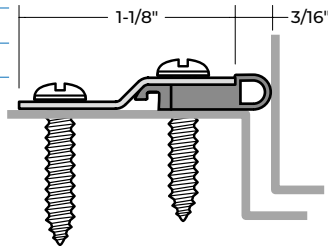
Stainless Steel Microcellular EPDM Perimeter Seal



## PERIMETER SEALS

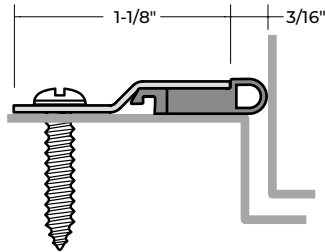
**120NSS** Microcellular EPDM

**120SSS** Silicone

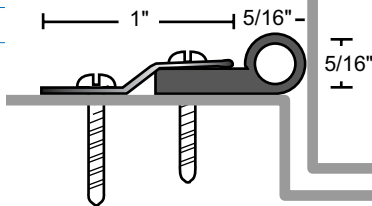


**127NSS** Microcellular EPDM

**127SSS** Silicone



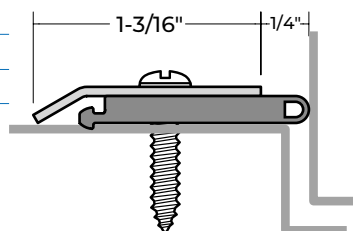
**129NSS** Neoprene



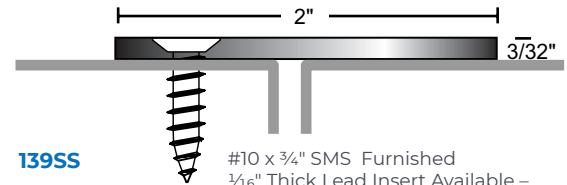
**122NSS** Microcellular EPDM

**130NSS** Microcellular EPDM

**130SSS** Silicone

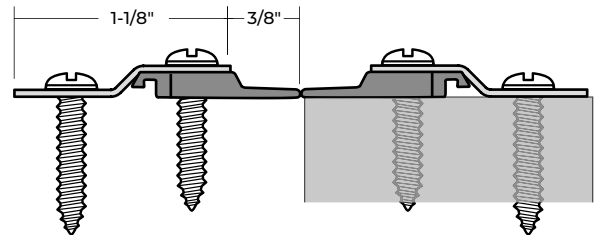


## ASTRAGAL SEALS



**139SS**

#10 x 3/4" SMS Furnished  
1/16" Thick Lead Insert Available -  
Specify "Lead-Lined"



**125NSS** Microcellular EPDM

**9125SS** Silicone

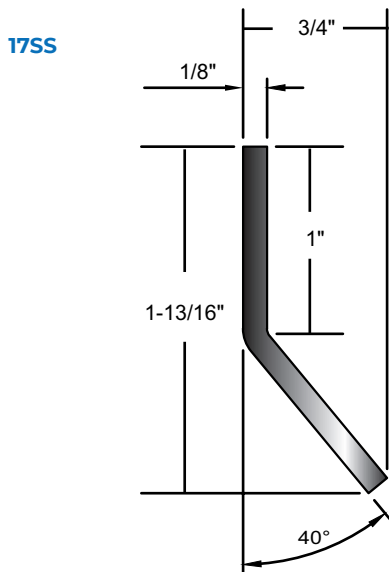
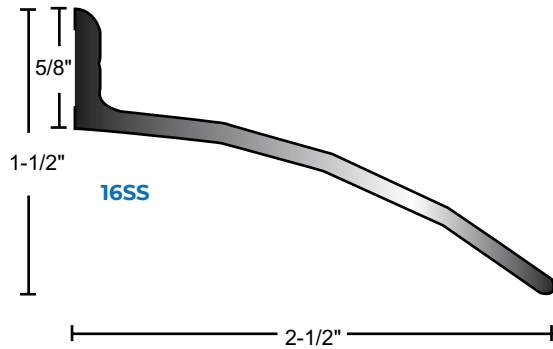


Provided as Two-Piece Set

# STAINLESS STEEL

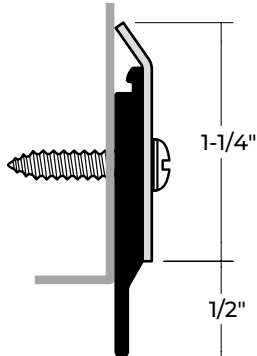
- Stainless Steel Type 304 Brushed #4 Finish (US32D, 630)
- Silicone, Neoprene and Polyurethane are Black. Nylon Brush Available in Gray or Black (Please Specify).
- #6 x 3/4" Stainless Steel SMS Furnished
- Screw Holes Slotted for Adjustment

## RAIN DRIP GUARD



## DOOR SWEEP

- 200NSS** Neoprene
- 200SSS** Silicone



## AUTOMATIC DOOR BOTTOM

### 229NSS

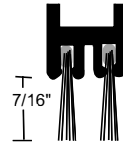
Stainless Steel  
Automatic Door Bottom  
Neoprene Seal



**221NSS** Black Neoprene <sup>(1, 2)</sup>

**221SSS** Gray Silicone <sup>(1, 2, 3)</sup>

**221WHSS** Black Nylon Brush <sup>(2)</sup>

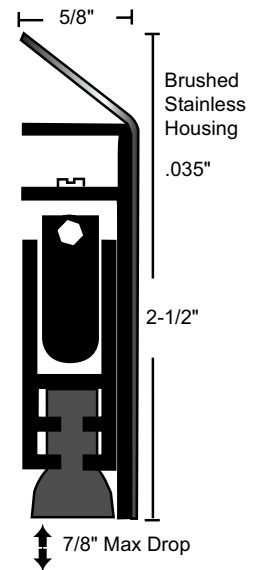
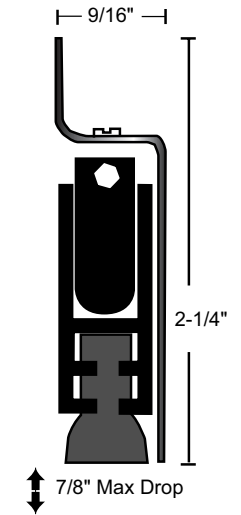


Drop Bar with Nylon Brush - Suffix "WH"

**229NSS** Black Neoprene <sup>(1, 2)</sup>

**229SSS** Gray Silicone <sup>(1, 2, 3)</sup>

**229WHSS** Black Nylon Brush <sup>(2)</sup>

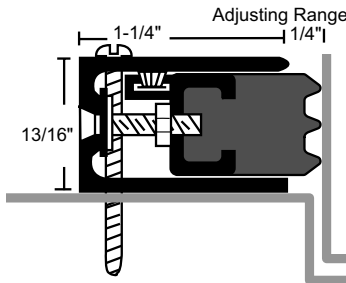
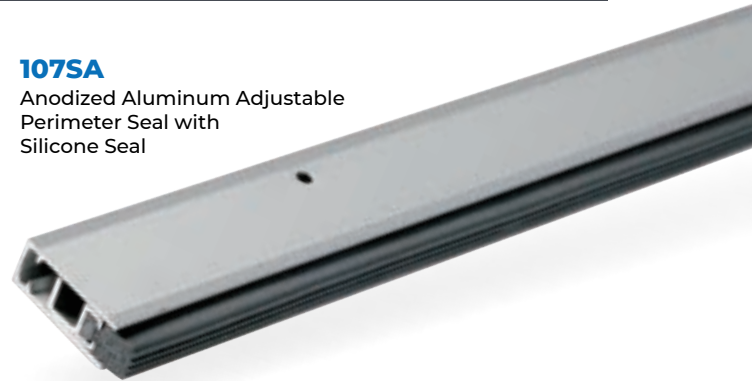


- 1/16" Thick Lead Insert Available - Specify "Lead-Lined".
- Door Bottom is Handed. Right Hand Supplied Unless Specified. Units Under 36" NOT Field Reversible. Please Specify Handing.
- BHMA Certified to ANSI/BHMA A156.22, 1,000,000 Cycle Test-Grade 1.

# ADJUSTABLE PERIMETER SEALS

- Adjustment Screws on 10" Centers Allow Adjustment Without Re-Positioning Mounting Location
- #6 x 3/4" or #6 x 1 1/2" Stainless Steel SMS Furnished

**107SA**  
Anodized Aluminum Adjustable Perimeter Seal with Silicone Seal

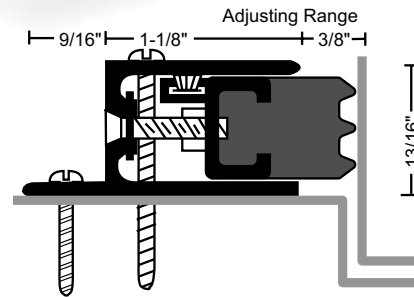


PRODUCT#	INSERT	FINISH
<b>103NA</b>	Black Neoprene	Anodized Aluminum
<b>103NDKB</b>	Black Neoprene	Dark Bronze

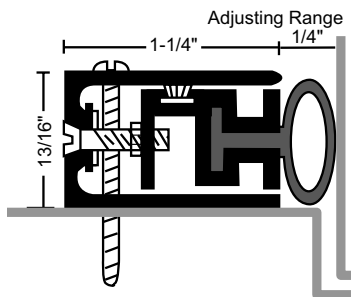


Option: Foam back seal - suffix 'FS'

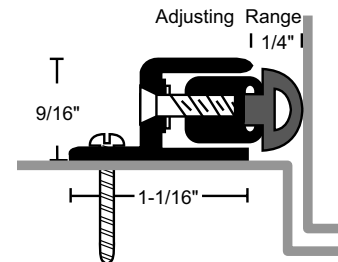
103N used with Parallel Arm Door Closer requires use of #3 Bracket on page G35



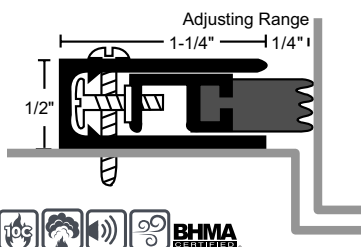
PRODUCT#	INSERT	FINISH
<b>104NA</b>	Black Neoprene	Anodized Aluminum
<b>104NDKB</b>	Black Neoprene	Dark Bronze



PRODUCT#	INSERT	FINISH
<b>1038NA</b>	Black Neoprene	Anodized Aluminum
<b>1038NDKB</b>	Black Neoprene	Dark Bronze



PRODUCT#	INSERT	FINISH
<b>106NA</b>	Black Neoprene	Anodized Aluminum
<b>106NDKB</b>	Black Neoprene	Dark Bronze
<b>106SA</b>	Black Silicone	Anodized Aluminum
<b>106SDKB</b>	Black Silicone	Dark Bronze



PRODUCT#	INSERT	FINISH
<b>107NA</b>	Black Neoprene	Anodized Aluminum
<b>107NDKB</b>	Black Neoprene	Dark Bronze
<b>107SA</b>	Black Silicone	Anodized Aluminum
<b>107SDKB</b>	Black Silicone	Dark Bronze

107 used with Parallel Arm Door Closer requires use of #7 Bracket on page G35

# STEEL MOUNTING BRACKETS

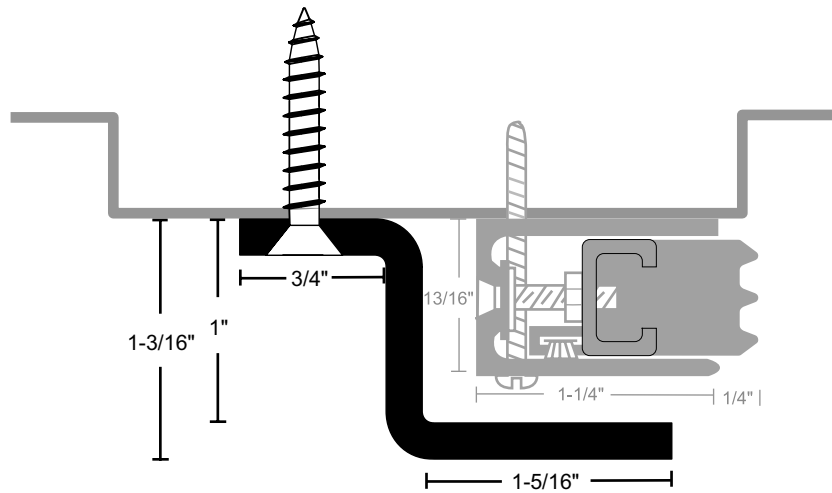
All Products on This Page:



- Allows Installation of Door Closer Shoe or Rim Exit Device Strike Without Interruption or Notching of Perimeter Seals
- Furnished With #12 x 1 1/4" SMS
- 3/16" Thick Steel
- 6" Long

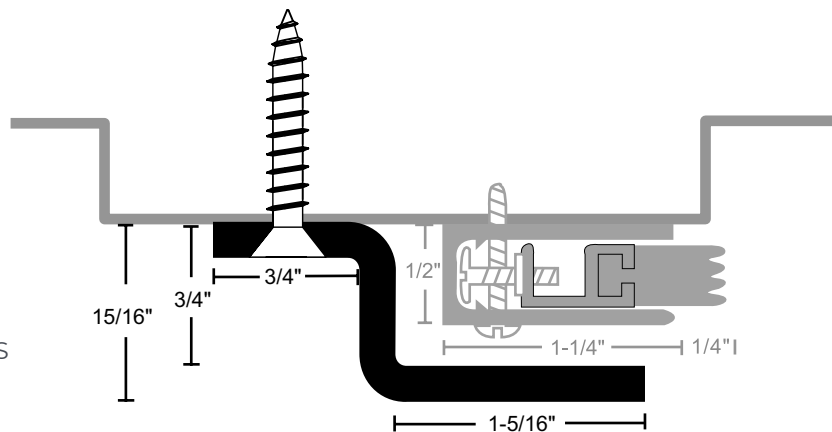
- 3ASL** Aluminum Silver
- 3DKB** Dark Bronze
- 3SP** Prime Coat

Fits Over 103N, 104N, 303N, 304N, 1038N, 3038N



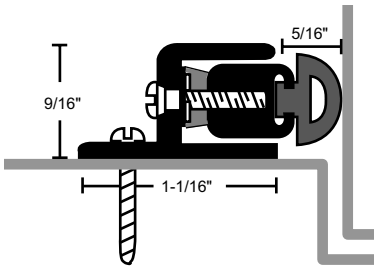
- 7ASL** Aluminum Silver
- 7DKB** Dark Bronze
- 7SP** Prime Coat

Fits Over 106N, 107N, 141P, 141S



# SPRING ADJUSTABLE PERIMETER SEALS

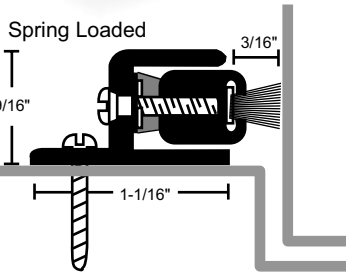
- ▶ Adjustment Screws on 10" Centers Allow Adjustment without Re-Positioning Mounting Location
- ▶ Spring-Loaded to Maintain Pressure for the Most Effective Seal
- ▶ #6 x 3/4" or #6 x 1 1/2" Stainless Sheet Metal Screws Furnished



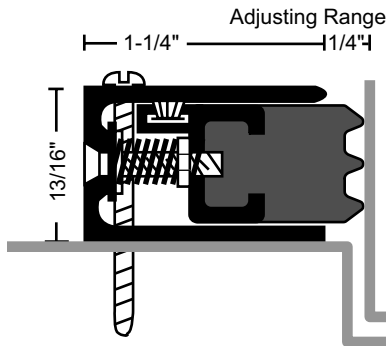
PRODUCT#	INSERT	FINISH
<b>141NA</b>	Black Neoprene	Anodized Aluminum
<b>141NDKB</b>	Black Neoprene	Dark Bronze
<b>141SA</b>	Black Silicone	Anodized Aluminum
<b>141SDKB</b>	Black Silicone	Dark Bronze



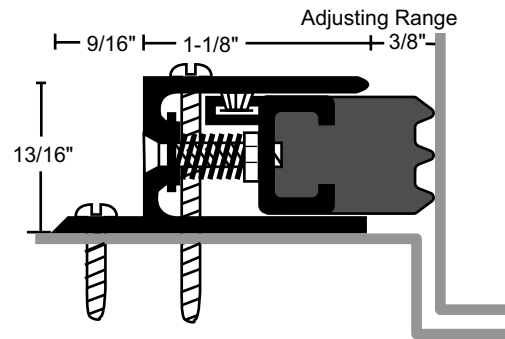
**303NA**  
Anodized Aluminum Spring  
Adjustable Neoprene  
Perimeter Seal



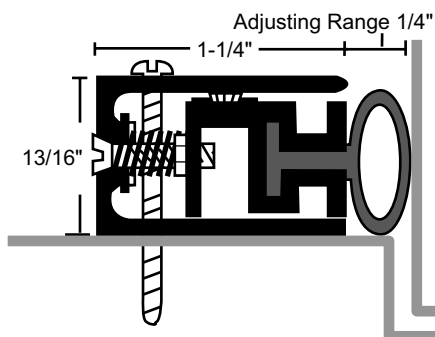
PRODUCT#	INSERT	FINISH
<b>141PA</b>	Gray Pile	Anodized Aluminum
<b>141PDKB</b>	Gray Pile	Dark Bronze



PRODUCT#	INSERT	FINISH
<b>303NA</b>	Black Neoprene	Anodized Aluminum
<b>303NDKB</b>	Black Neoprene	Dark Bronze



PRODUCT#	INSERT	FINISH
<b>304NA</b>	Black Neoprene	Anodized Aluminum
<b>304NDKB</b>	Black Neoprene	Dark Bronze



PRODUCT#	INSERT	FINISH
<b>3038NA</b>	Black Neoprene	Anodized Aluminum
<b>3038NDKB</b>	Black Neoprene	Dark Bronze



# AUTOMATIC DOOR BOTTOMS

## SURFACE

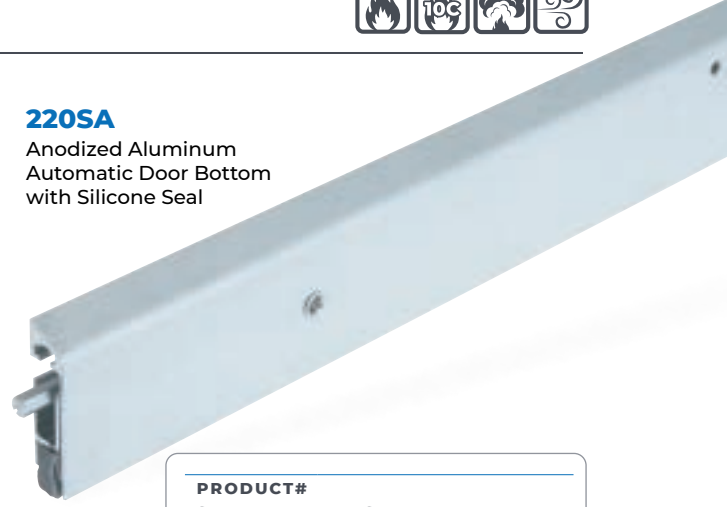
All Products on This Page:



- Mounts on Push Side of Door
- Use with a Threshold for Maximum Sealing Capability
- Nylon Brush Recommended for Carpet Applications Where No Threshold is Provided
- Specify Exact Net Length Required to Avoid Field Sizing
- 36" and Longer May Be Cut up to 4" in the Field; Under 36" Should Not Be Cut in the Field, Order Net Length
- Minimum Length 11", Maximum Length 60" (Except 780)
- End Caps Furnished Standard. Models 220, 221, 229, 310 Require Door Handing, RH Supplied Standard Units Under 36" NOT Field Reversible. Please Specify Handing.

### 220SA

Anodized Aluminum Automatic Door Bottom with Silicone Seal



PRODUCT# SUFFIX	FINISH
A	Anodized Aluminum
DKB	Dark Bronze
None	Mill Aluminum

### SURFACE

<b>220NA</b>	Black Neoprene (1, 2, 3)
<b>220NDKB</b>	Black Neoprene (1, 2, 3)



<b>220SA</b>	Black Silicone (1, 2, 3)
<b>220SDKB</b>	Black Silicone (1, 2, 3)



<b>220WHA</b>	Black Nylon Brush (2)
<b>220WHDKB</b>	Black Nylon Brush (2)

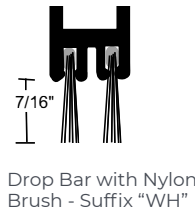
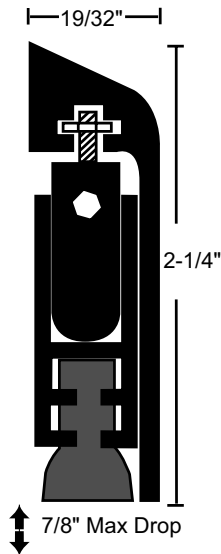
<b>222NA</b>	Black Neoprene (1, 3)
<b>222NDKB</b>	Black Neoprene (1, 3)



<b>222SA</b>	Black Silicone (1, 3)
<b>222SDKB</b>	Black Silicone (1, 3)



<b>222WHA</b>	Black Nylon Brush
<b>222WHDKB</b>	Black Nylon Brush



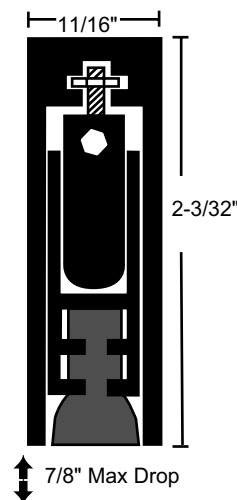
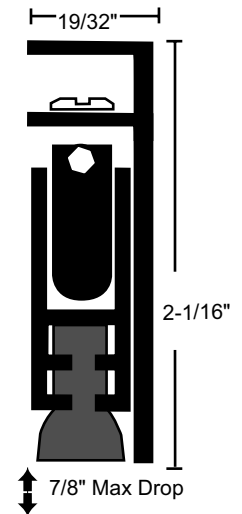
<b>310NA</b>	Black Neoprene (1, 2, 3)
<b>310NDKB</b>	Black Neoprene (1, 2, 3)



<b>310SA</b>	Black Silicone (1, 2, 3)
<b>310SDKB</b>	Black Silicone (1, 2, 3)



<b>310WHA</b>	Black Nylon Brush (2)
<b>310WHDKB</b>	Black Nylon Brush (2)



- 1/16" Thick Lead Insert Available – Specify "Lead-Lined".
- Door Bottom is Handed. Right Hand Supplied Unless Specified. Units Under 36" NOT Field Reversible. Please Specify Handing.
- BHMA Certified to ANSI/BHMA A156.22, 1,000,000 Cycle Test-Grade 1.

# AUTOMATIC DOOR BOTTOMS

## SURFACE

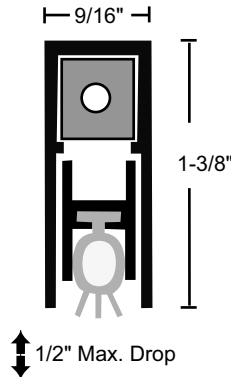
All Products on This Page:



### SLIMLINE

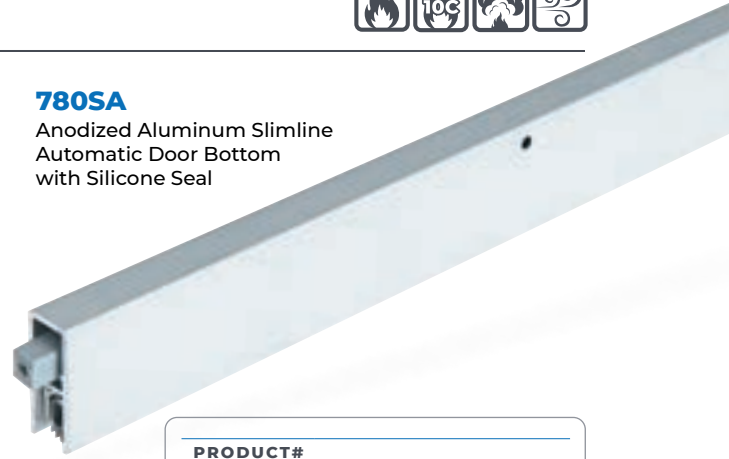
- Endurance Tested to 5 Million Cycles
- Available 23" to 96" in Length
- End Caps Furnished Standard
- Great for Sliding Doors
- Will Work Half Mortised on Swing or Sliding Doors

<b>780SA</b>	Gray Silicone
<b>780SDKB</b>	Gray Silicone



### 780SA

Anodized Aluminum Slimline Automatic Door Bottom with Silicone Seal



PRODUCT# SUFFIX	FINISH
<b>A</b>	Anodized Aluminum
<b>DKB</b>	Dark Bronze
<b>None</b>	Mill Aluminum

### STAINLESS STEEL

#### STAINLESS STEEL

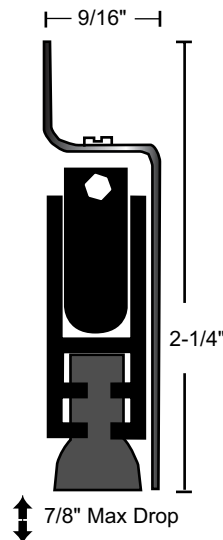
<b>221NSS</b>	Black Neoprene <sup>(1, 2, 3)</sup>
---------------	-------------------------------------



<b>221SSS</b>	Gray Silicone <sup>(1, 2, 3)</sup>
---------------	------------------------------------



<b>221WHSS</b>	Black Nylon Brush <sup>(2)</sup>
----------------	----------------------------------



#### STAINLESS STEEL

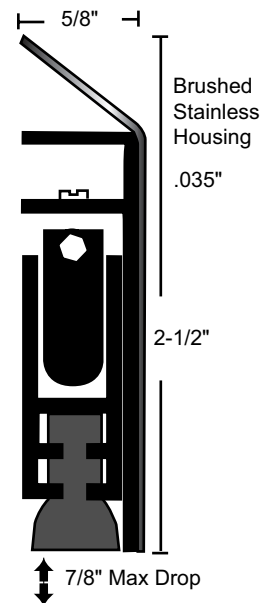
<b>229NSS</b>	Black Neoprene <sup>(1, 2, 3)</sup>
---------------	-------------------------------------



<b>229SSS</b>	Gray Silicone <sup>(1, 2, 3)</sup>
---------------	------------------------------------



<b>229WHSS</b>	Black Nylon Brush <sup>(2)</sup>
----------------	----------------------------------



- 3/16" Thick Lead Insert Available – Specify "Lead-Lined".
- Door Bottom is Handed. Right Hand Supplied Unless Specified. Units Under 36" NOT Field Reversible. Please Specify Handing.
- BHMA Certified to ANSI/BHMA A156.22, 1,000,000 Cycle Test-Grade 1.**

# AUTOMATIC DOOR BOTTOMS

HEAVY-DUTY SURFACE

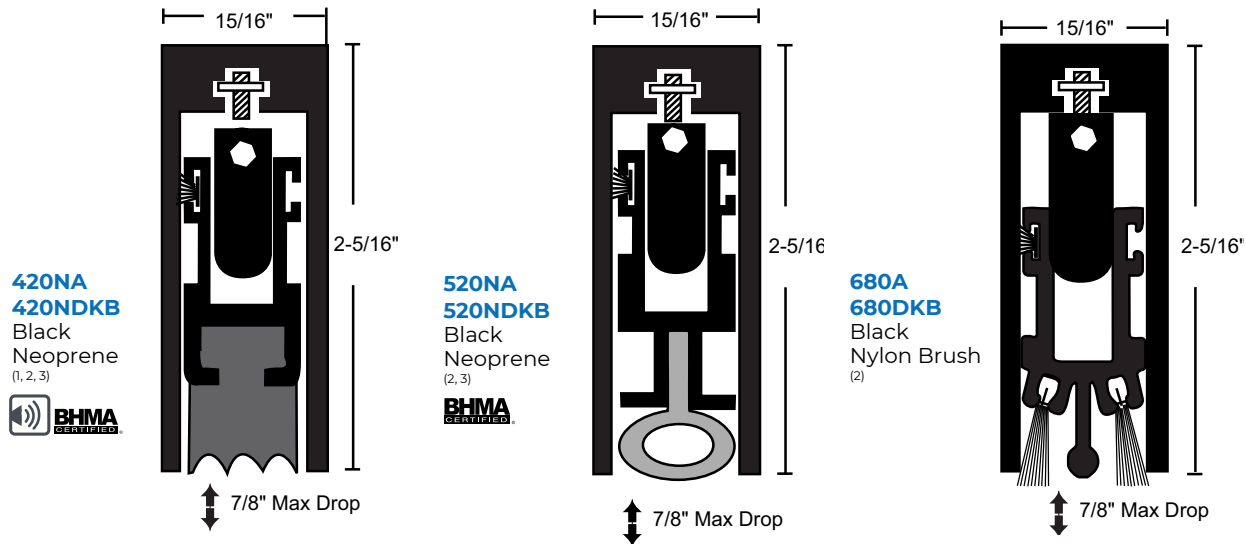
All Products on This Page:



- Mounts on Push Side of Door
- Use With a Threshold for Maximum Sealing Capability
- Nylon Brush Recommended for Carpet Applications Where No Threshold is Provided
- Specify Exact Net Length Required to Avoid Field Sizing
- 36" and Longer May Be Cut up to 4" in the Field; Under 36" Should Not Be Cut in the Field, Order Net Length
- Minimum Length 11", Maximum Length 60"
- End Caps Furnished Standard



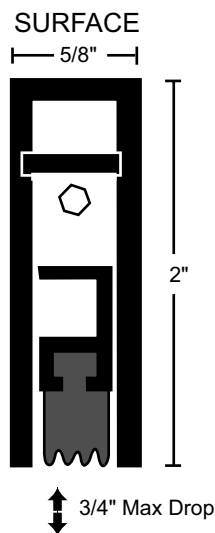
PRODUCT#	SUFFIX	FINISH
	A	Anodized Aluminum
	DKB	Dark Bronze
	None	Mill Aluminum



## EZ -TOUCH

- The EZ-Touch Door Bottom Requires Only 3 to 5 Pounds of Pressure to Activate
- Perfect for Accessibility Applications and Still Provides an Effective Seal
- Available 23 1/4" Net to 48" in Length
- End Caps Furnished Standard

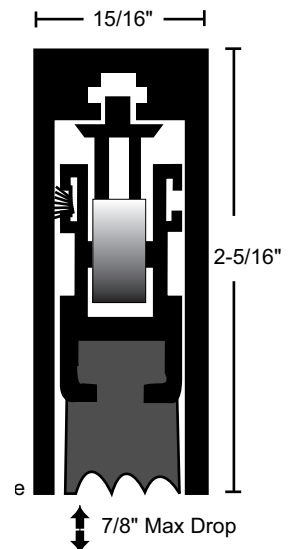
<b>223NA</b>	Black Neoprene
<b>223NDKB</b>	Black Neoprene
<b>223SA</b>	Black Silicone
<b>223SDKB</b>	Black Silicone



## SLIDING OR POCKET DOORS SURFACE OR HALF MORTISE - HEAVY-DUTY

- Designed for Use on Sliding or Pocket Doors.
- A Series of Actuating Bars Keep the Seal Parallel to the Sill or Threshold Until the Door Is in the Closed Position
- Available 11" to 144" in Length
- End Caps Not Available

<b>421NA</b>	Black Neoprene <sup>(1)</sup>
<b>421NDKB</b>	Black Neoprene <sup>(1)</sup>



1. 1/16" Thick Lead Insert Available Up To 60" Maximum Length- Specify "Lead-Lined".  
 2. For Half Mortise Applications Specify HM in Item Number Prior to Finish (ie: 420NHMDKB).  
 3. BHMA Certified to ANSI/BHMA A156.22, 1,000,000 Cycle Test-Grade 1.



# AUTOMATIC DOOR BOTTOMS

## MORTISE

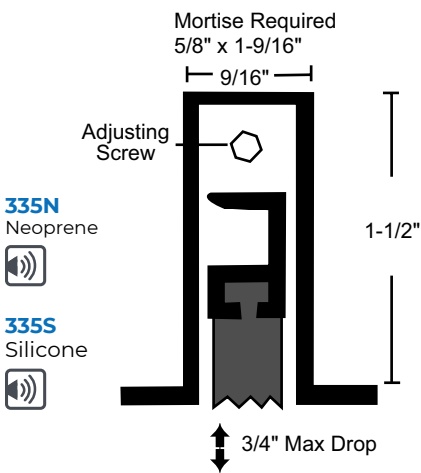
All Products on This Page:



- Use With a Threshold for Maximum Sealing Capability
- Nylon Brush Recommended for Carpet Applications Where No Threshold is Provided
- Specify Exact Net Length Required to Avoid Field Sizing
- 36" and Longer May Be Cut up to 4" in the Field; Under 36" Should Not Be Cut in the Field, Order Net Length
- End Caps Furnished Standard
- Furnished 1/2" Shorter than Ordered to Fit Within Net Door Size (i.e. 36" is Furnished 35 1/2")

### 335N

Mill Aluminum Mortise Automatic Door Bottom with Neoprene Seal



**335N**  
Neoprene



**335S**  
Silicone



Available 23 1/4" Net to 48" in Length  
Fits Wood Fire Door Mortise Restrictions

### 225N

Neoprene <sup>(1)</sup>



BHMA certified to ANSI/BHMA A156.22, 1,000,000 cycle test-grade 1

### 225S

Silicone <sup>(1)</sup>



BHMA certified to ANSI/BHMA A156.22, 1,000,000 cycle test-grade 1

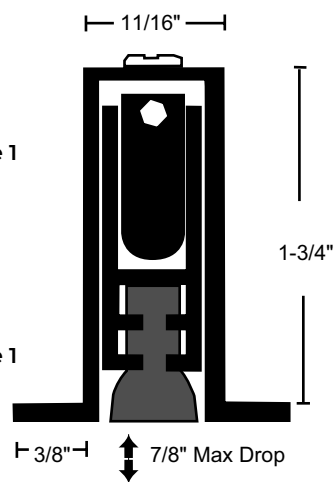
### 225WH

Nylon Brush

Available 11" to 60" in Length

1. 1/16" Thick Lead Insert Available – Specify "Lead-Lined".

Mortise Required  
3/4" x 1-15/16"



Neoprene, NGP-TPV, Silicone & Nylon Brush are Black

## HOLLOW METAL DOORS

- Fits in 1 5/8" x 3/4" Channel. A "Furring Strip" May Be Used to Lower Automatic Door Bottom When a Deeper Channel is Used
- Furnished 1/2" Shorter Than Ordered to Fit Within Net Door Size (i.e. 36" is Furnished 35 1/2")
- May be Field Cut up to 4"
- Fire Ratings Apply to Metal Doors Only
- #4 x 5/8" SMS Furnished. End Caps Not Available
- Available 24" to 48" in Length

### 320S

Mill Aluminum Hollow Metal Mortise Automatic Door Bottom with Silicone Seal



### 320N

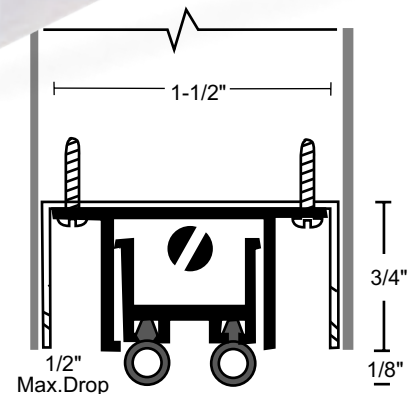
NGP-TPV

### 320S

Silicone

### 320V

Vinyl



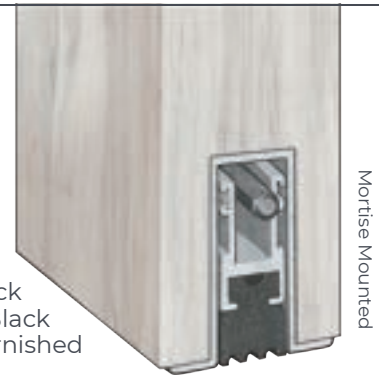
# AUTOMATIC DOOR BOTTOMS

## HEAVY-DUTY MORTISE

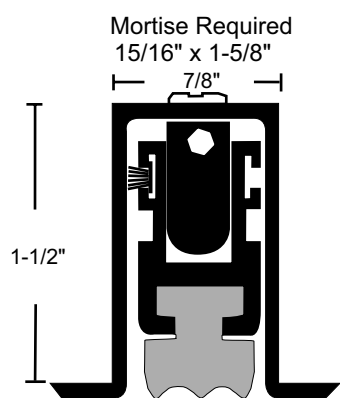
All Products on This Page:



- ▶ Fits Wood Fire Door Mortise Restrictions
- ▶ Use With a Threshold for Maximum Sealing Capability
- ▶ Nylon Brush Recommended for Carpet Applications Where No Threshold Is Provided
- ▶ Specify Exact Net Length Required to Avoid Field Sizing
- ▶ 36" and Longer May Be Cut up to 4" in the Field; Under 36" Should Not Be Cut in the Field, Order Net Length
- ▶ Anodized Aluminum End Caps Furnished Standard. DKB End Caps Available - Please Specify
- ▶ Furnished ½" Shorter Than Ordered to Fit Within Net Door Size (i.e. 36" is Furnished 35½")



Neoprene is Black  
Nylon Brush is Black  
#4 x 5/8" SMS Furnished



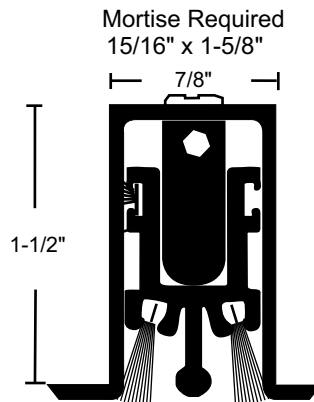
**423N**  
Neoprene  
↑↓ 3/4" Max Drop



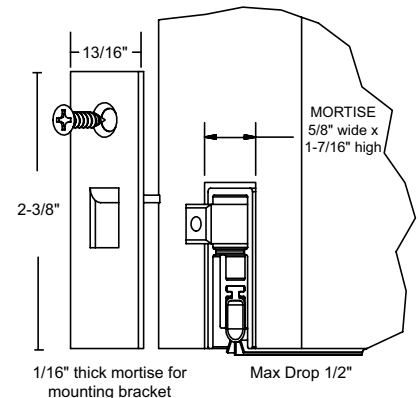
Available 11" to 48" in Length.

¼" Thick Lead Insert Available - Specify "Lead-Lined".

**BHMA Certified to ANSI/BHMA A156.22, 1,000,000 Cycle Test-Grade 1.**



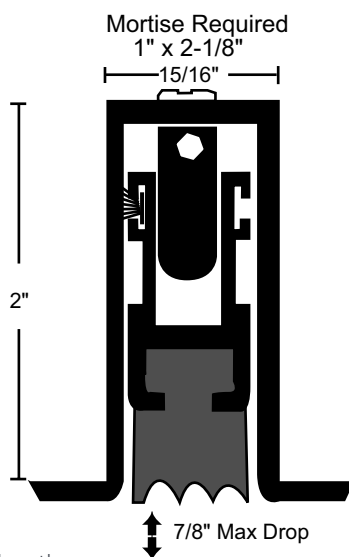
**683**  
Nylon Brush  
↑↓ 7/8" Max Drop



**781S**  
Silicone is Gray  
Great for Sliding Doors  
Available 23" to 96" in Length  
Door Edge Mounting Brackets Allow Easy Access for Removal and Cleaning the Door Bottom Drop Mechanism. Perfect for Use in Healthcare and Other Facilities Subject to Stringent Standards and Inspections



\*Up to 3 Hrs. Metal Doors, 45 Minute Wood Doors (Does Not Fit Mortise Restrictions of Some Wood Door Manufacturers)

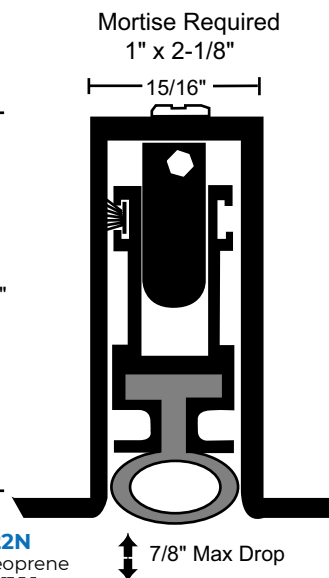


**422N**  
Neoprene



Available 11" to 60" in length.

¼" Thick Lead Insert Available - Specify "Lead-Lined".

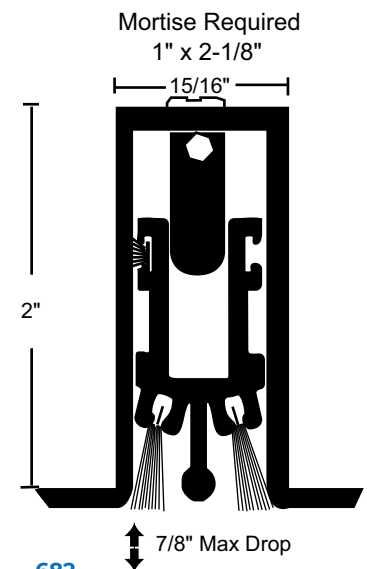


**522N**  
Neoprene



Available 11" to 60" in Length.

**BHMA Certified to ANSI/BHMA A156.22, 1,000,000 Cycle Test-Grade 1.**



**682**  
Black Nylon Brush

Available 11" to 60" in Length.

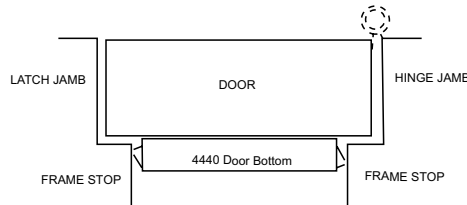
# AUTOMATIC DOOR BOTTOMS

All Products on This Page:

## DUAL ACTUATED



- Will Not Function on Pairs of Doors
- Actuated by Frame Stop on Both Ends
- Low Compression and Operating Force
- Concealed Fasteners
- For Pairs Use Matching Single Actuated Door Bottoms Shown Below
- Available 24" to 96" in Length
- May Be Field Cut up to 3"



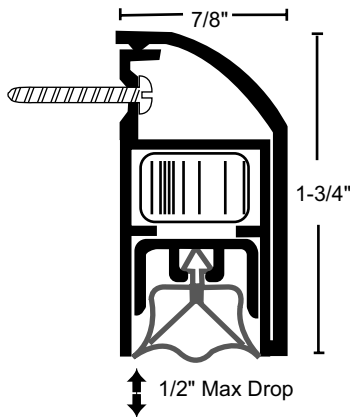
PRODUCT#	
SUFFIX	FINISH
A	Anodized Aluminum
DKB	Dark Bronze
None	Mill Aluminum

*Silicone is Gray  
Nylon Brush is Black*

### SURFACE

4440SA  
4440SDKB  
Silicone

4440WHA  
4440WHDKB  
Nylon Brush

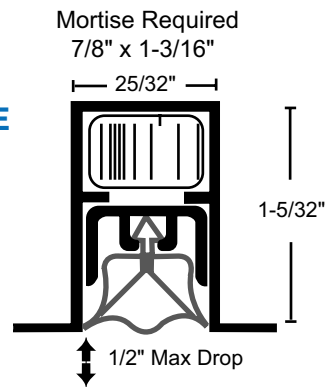


Furnished 1 3/8" Shorter than Ordered to Fit Between Stops on Frame. (i.e. 36" is Furnished 34 5/8")  
#6 x 3/4" TEK Furnished

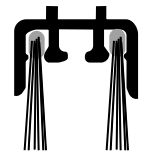
### MORTISE

4447S  
Silicone

4447WH  
Nylon Brush



Furnished 1/4" Shorter than Ordered to Fit Net Door Width. (i.e. 36" is Furnished 35 3/4" Net)  
#4 x 5/8" SMS Furnished



Drop Bar with Nylon Brush - Suffix "WH"

## SINGLE ACTUATED AUTOMATIC DOOR BOTTOMS

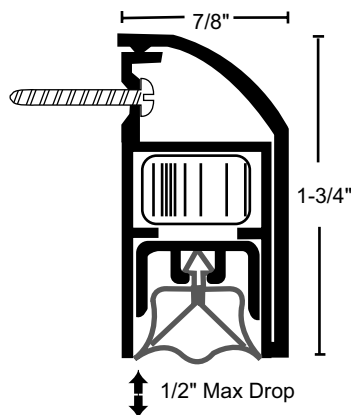
- Matches Design of Dual Actuated Door Bottoms. For Use on Pairs of Doors or Field Size for Single Doors
- Low Compression and Operating Force
- Concealed Fasteners
- Available 24" to 96" in Length
- May Be Field Cut up to 3"

### SURFACE

4441SA  
4441SDKB  
Silicone

4441WHA  
4441WHDKB  
Nylon Brush

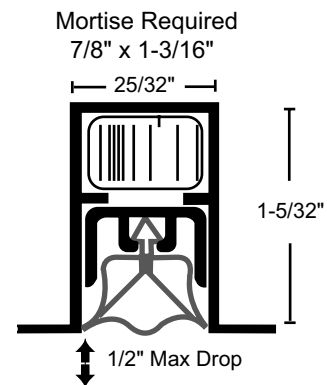
#6 x 3/4" TEK Furnished



### MORTISE

4448S  
Silicone

4448WH  
Nylon Brush



Furnished 1/4" Shorter than Ordered to Fit Net Door Size. (i.e. 36" is Furnished 35 3/4" Net) #4 x 5/8" SMS Furnished

**HANDED - NOT FIELD REVERSIBLE**

# ACOUSTICAL DOOR SHOES

- ▶ Aluminum Alloy 6063, T5 Temper
- ▶ Thermoplastic Polymer: Polyvinyl Chloride  
Formulated with an Environmentally Friendly Bio-Based Plasticizer
- ▶ Economical
- ▶ Flame-Resistant
- ▶ Moisture-Resistant
- ▶ Temperature Range 0°F to 140°F
- ▶ Oxidative Degradation From Age and Exposure to Cold, Heat and UV Causes Hardening, Loss of Memory and Resilience, Cracking, Crazeing and Discoloration
- ▶ #6 x 3/4" Stainless Steel SMS Furnished
- ▶ Screw Holes Slotted for Adjustment

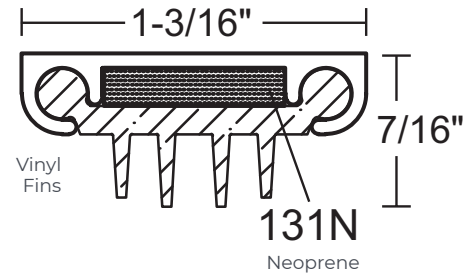
**312V X 131N**  
**312VDKB X 131N**



SPECIFY THE DESIRED INSERT, FINISH AND COLOR WHEN PLACING YOUR ORDER.

PRODUCT#	SUFFIX	FINISH
	<b>DKB</b>	Dark Bronze
	<b>None</b>	Mill Aluminum

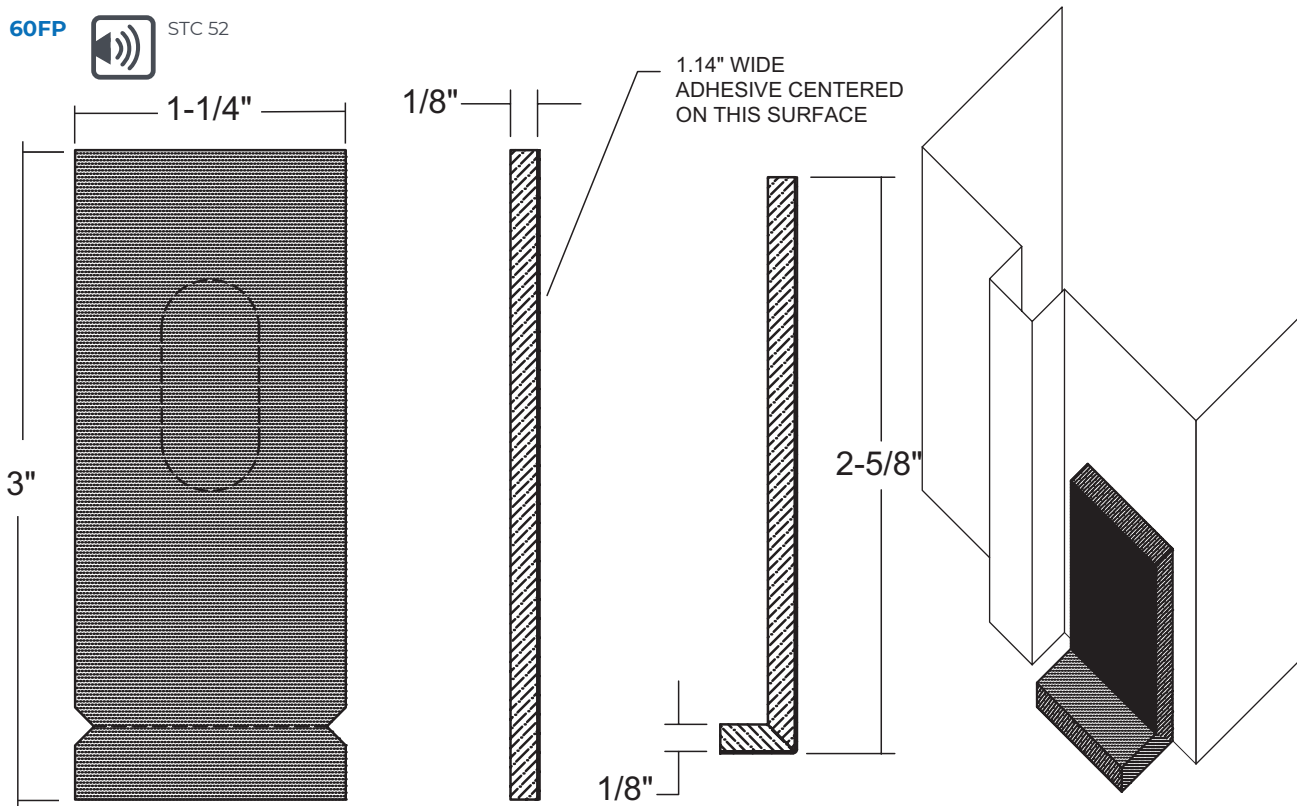
*Vinyl is Black*



# STC RATED ACOUSTICAL FOAM PAD

- ▶ Foam Seal Self-Adhesive
- ▶ Helps Acoustics and Seals at Corner Gap
- ▶ Apply to Jambs on Hinge and Strike Side
- ▶ Available as Set of 2 Pads
- ▶ Color is Black

**60FP** STC 52

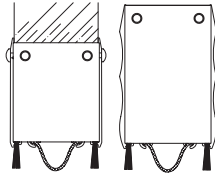


# EXTENDED DOOR SHOES

All Products on This Page:



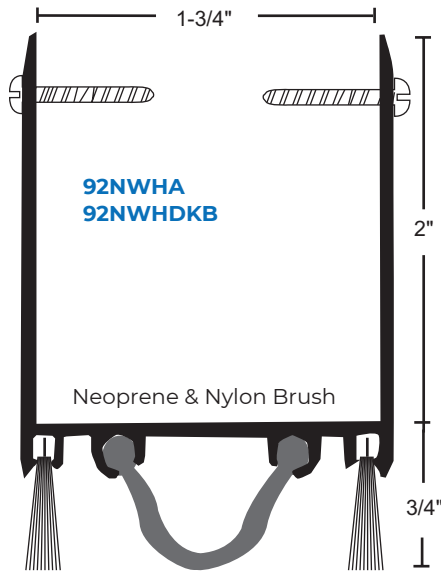
- ▶ #6 x 3/4" Stainless Steel  
SMS Furnished
- ▶ End Caps Available -  
Sold Separately



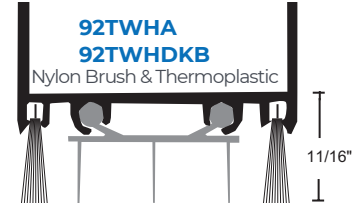
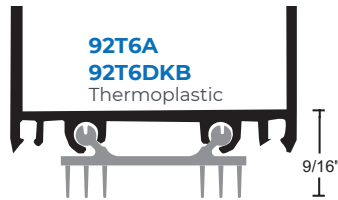
PRODUCT#	SUFFIX	FINISH
	<b>A</b>	Anodized Aluminum
	<b>DKB</b>	Dark Bronze
	<b>None</b>	Mill Aluminum

*Vinyl is Black  
Neoprene is Black  
Thermoplastic is Dark Brown  
Nylon Brush is Gray\* with Anodized Aluminum; Black with DKB Metal*

## 92 SERIES

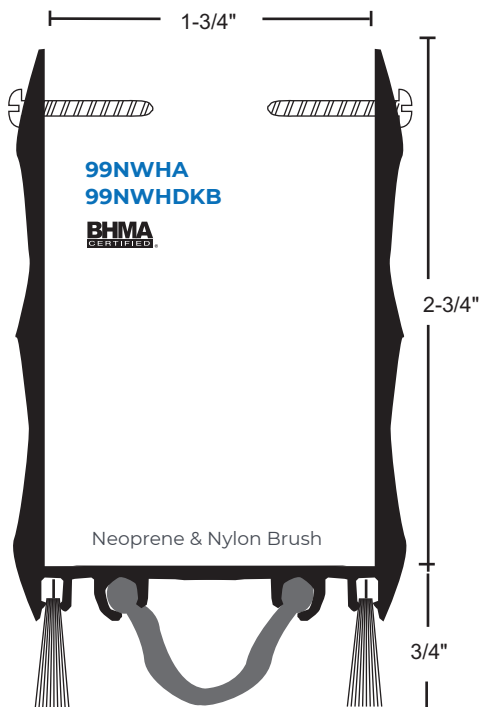


## GASKETING OPTIONS:

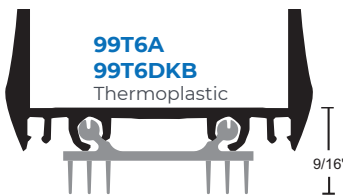
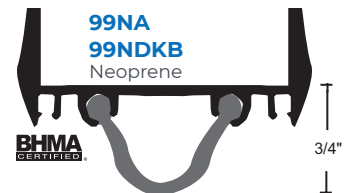
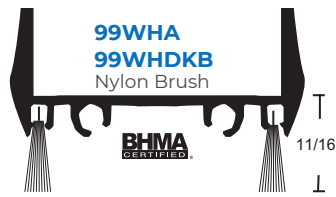


\*Specify Black Brush if Desired

## 99 SERIES



## GASKETING OPTIONS:

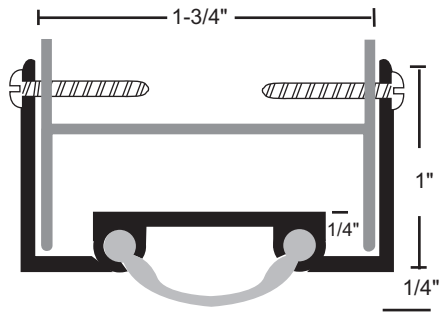


# SMOOTH VINYL DOOR SHOES

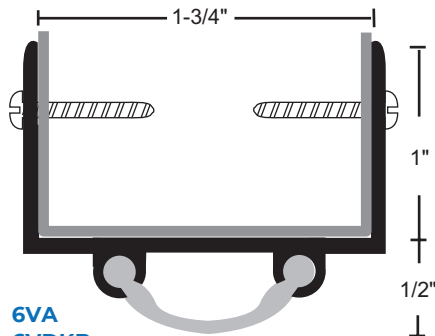
- ▶ #6 x 3/4" Stainless Steel Sheet Metal Screws Furnished
- ▶ Screw Holes Slotted for Adjustment



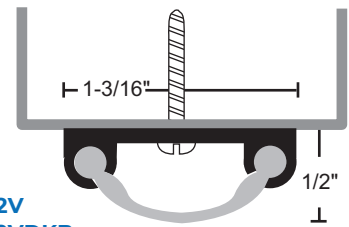
PRODUCT# SUFFIX	FINISH
A	Anodized Aluminum
DKB	Dark Bronze
None	Mill Aluminum
<i>Vinyl is Black</i>	



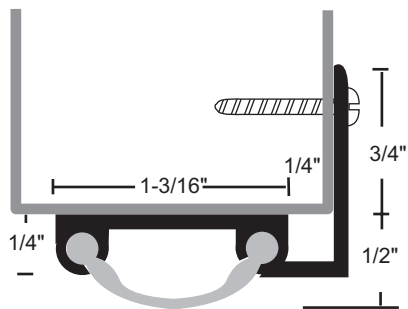
**5VA**  
**5VDKB**



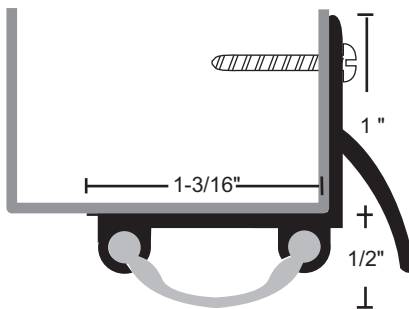
**6VA**  
**6VDKB**



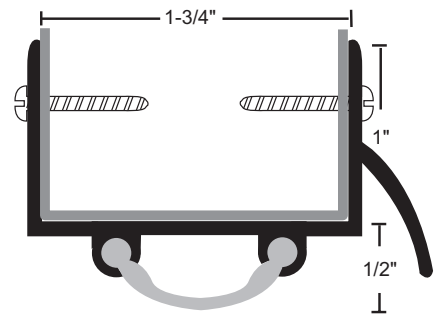
**12V**  
**12VDKB**



**13VA**  
**13VDKB**



**18V**  
**18VDKB**

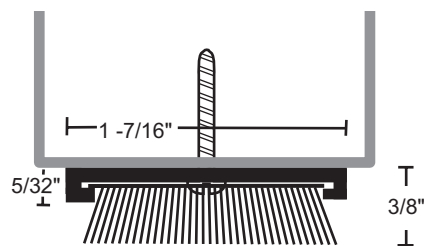


**19V**  
**19VDKB**

# POLYPROPYLENE PILE DOOR SHOES

- ▶ #6 x 3/4" Stainless Steel SMS Furnished
- ▶ Pile is Gray

**254P**  
**254PDKB**



# NEOPRENE, NYLON BRUSH, DOUBLE FIN

## DOOR SHOES

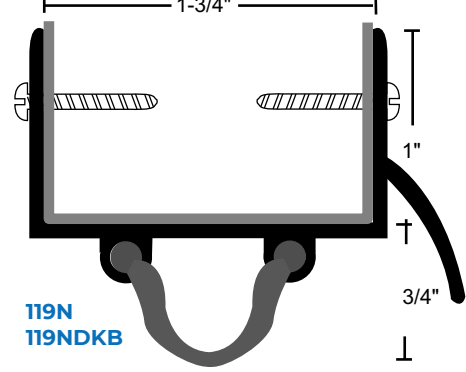
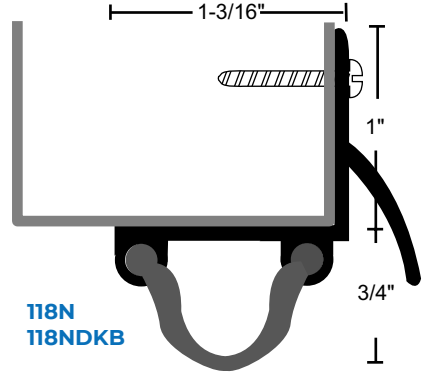
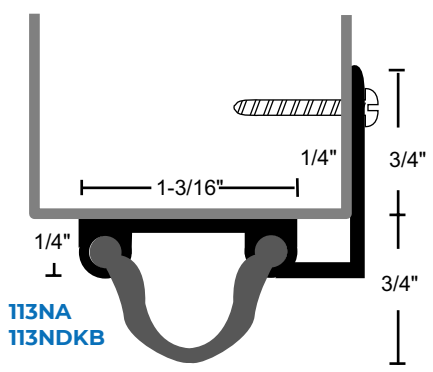
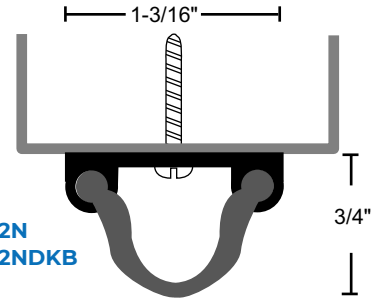
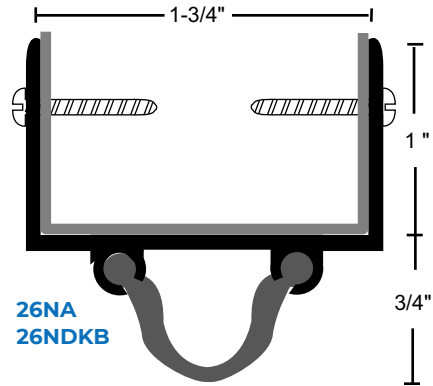
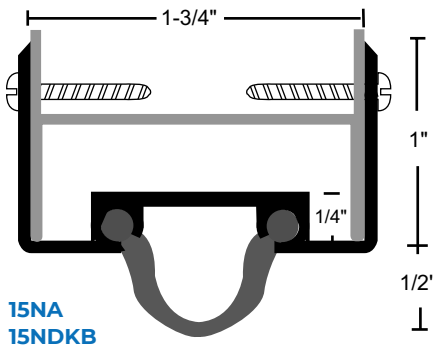
### NEOPRENE DOOR SHOES

- ▶ #6 x 3/4" Stainless Steel Sheet Metal Screws Furnished
- ▶ Screw Holes Slotted for Adjustment



PRODUCT# SUFFIX	FINISH
A	Anodized Aluminum
DKB	Dark Bronze
None	Mill Aluminum

*Neoprene is Black*

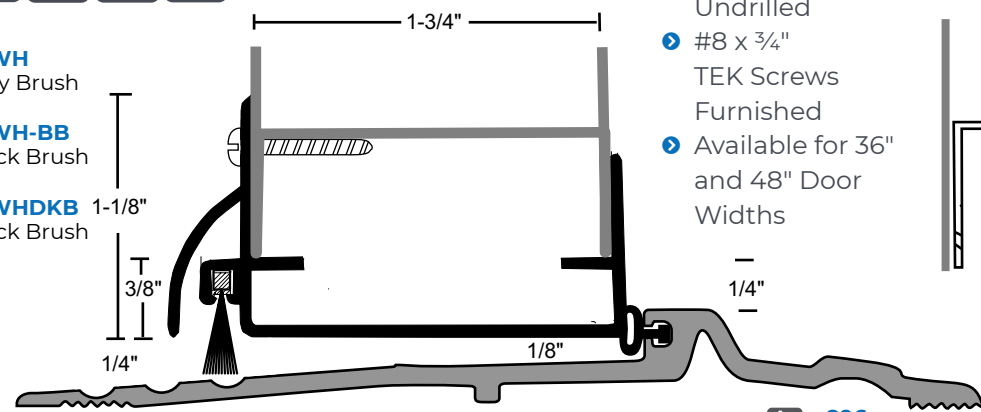


### NYLON BRUSH DOOR SHOE

- ▶ #6 x 3/4" Stainless Steel SMS Furnished
- ▶ Screw Holes Slotted for Adjustment



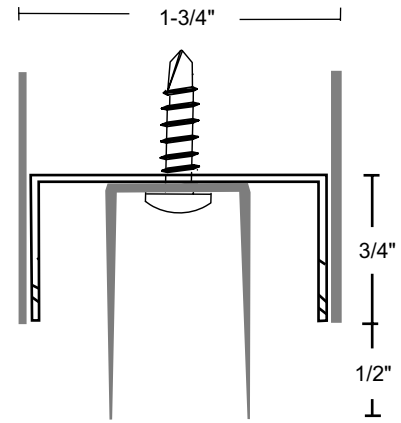
- 95WH**  
Gray Brush
- 95WH-BB**  
Black Brush
- 95WHDKB**  
Black Brush



Designed for use on standard 3/4" undercut door used with NGP 896 V, N, or S ADA compliant threshold as shown

### DOUBLE FIN DOOR SHOE

- ▶ Rigid Polypropylene Top with Flexible TPV Fins
- ▶ Designed for Hollow Metal Doors with Inverted Bottom Channel
- ▶ Furnished Undrilled
- ▶ #8 x 3/4" TEK Screws Furnished
- ▶ Available for 36" and 48" Door Widths



**896**  
**896DKB**  
Threshold

**331**  
Black

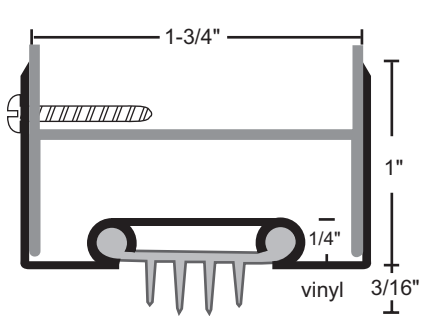
# FINNED VINYL DOOR SHOES

All Products on This Page:

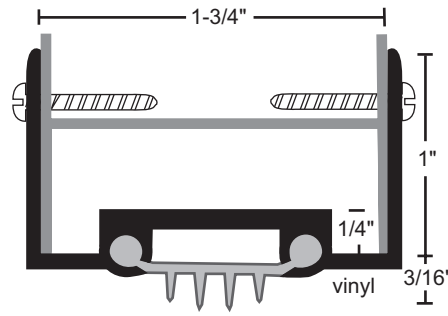


- ▶ #6 x 3/4" Stainless Steel SMS Furnished
- ▶ Screw Holes Slotted for Adjustment

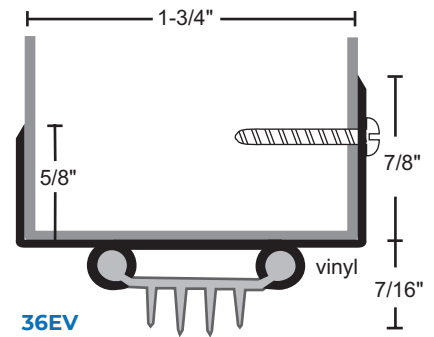
PRODUCT#	SUFFIX	FINISH
	<b>A</b>	Anodized Aluminum
	<b>DKB</b>	Dark Bronze
	<b>None</b>	Mill Aluminum
<i>Vinyl is Black</i>		



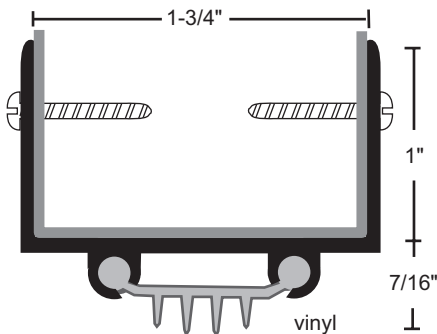
**35EV**  
**35EVDKB**



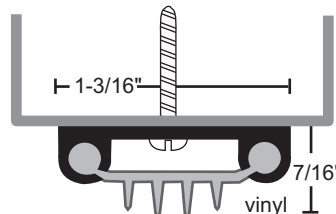
**35VA**  
**35VDKB**



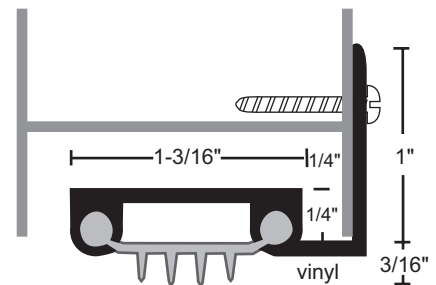
**36EV**  
**36EVDKB**



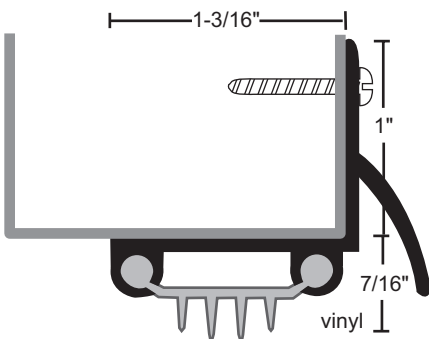
**36VA**  
**36VDKB**



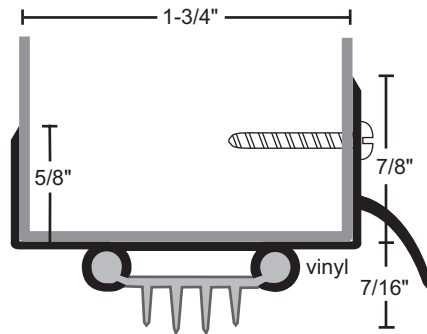
**312V**  
**312VDKB**



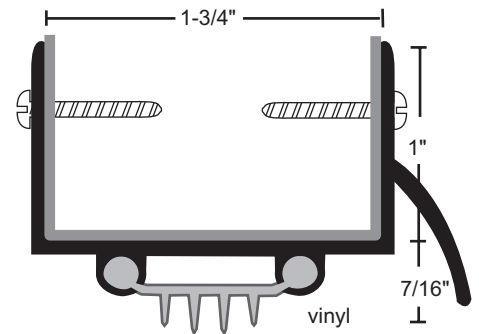
**313VA**  
**313VDKB**



**318V**  
**318VDKB**



**319EV**  
**319EVDKB**



**319V**  
**319VDKB**



# THERMOPLASTIC DOOR SHOES

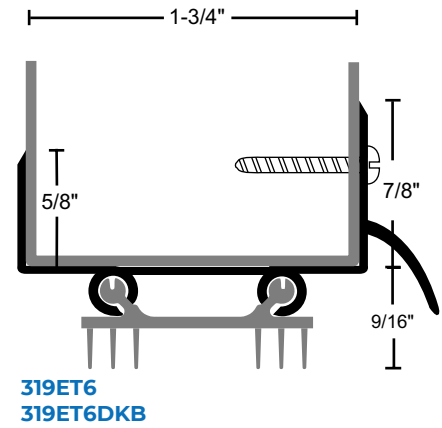
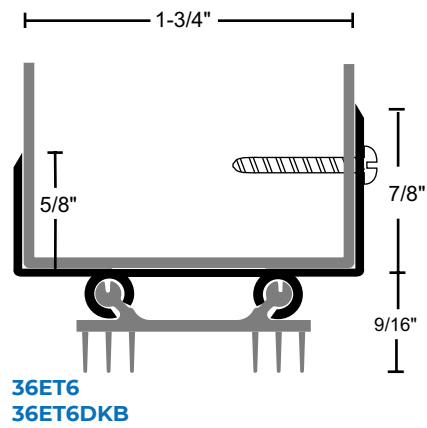
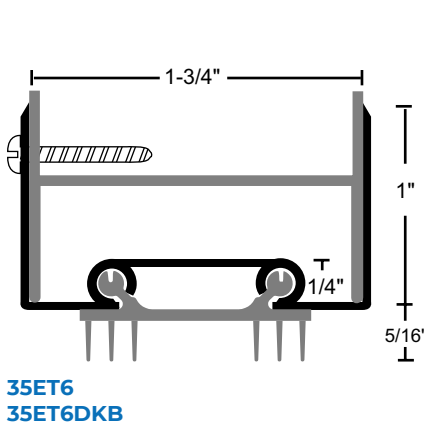
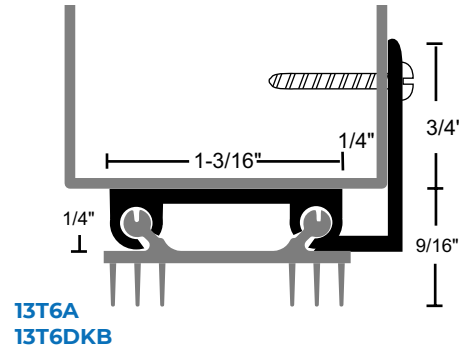
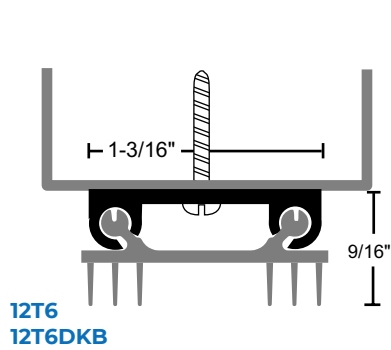
All Products on This Page:



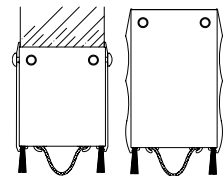
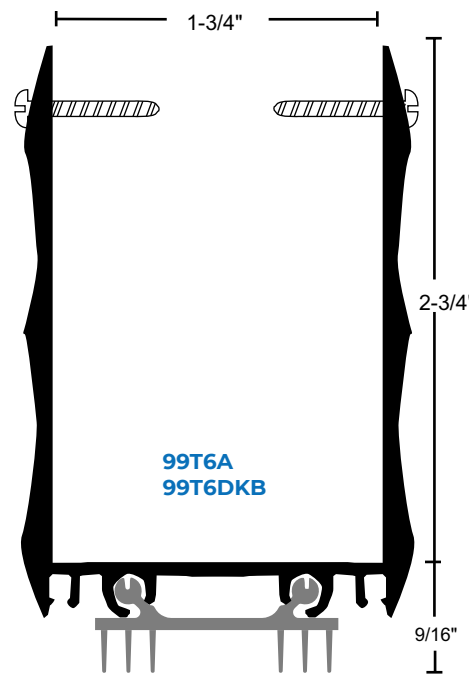
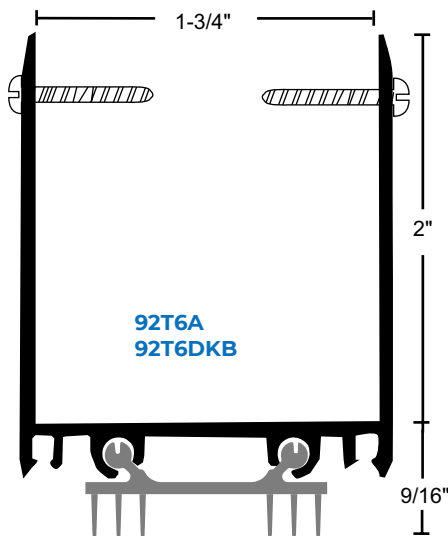
- ▶ Thermoplastic Polymer Seal with Rigid Base and Soft Vinyl Fins
- ▶ 48" Maximum Length
- ▶ #6 x 3/4" Stainless Steel SMS Furnished

PRODUCT#	SUFFIX	FINISH
	<b>A</b>	Anodized Aluminum
	<b>DKB</b>	Dark Bronze
	<b>None</b>	Mill Aluminum

*Thermoplastic is Dark Brown*



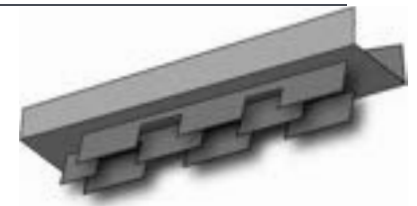
## EXTENDED DOOR SHOES



End Caps Available - Sold Separately

# THERMOPLASTIC DOOR SHOES

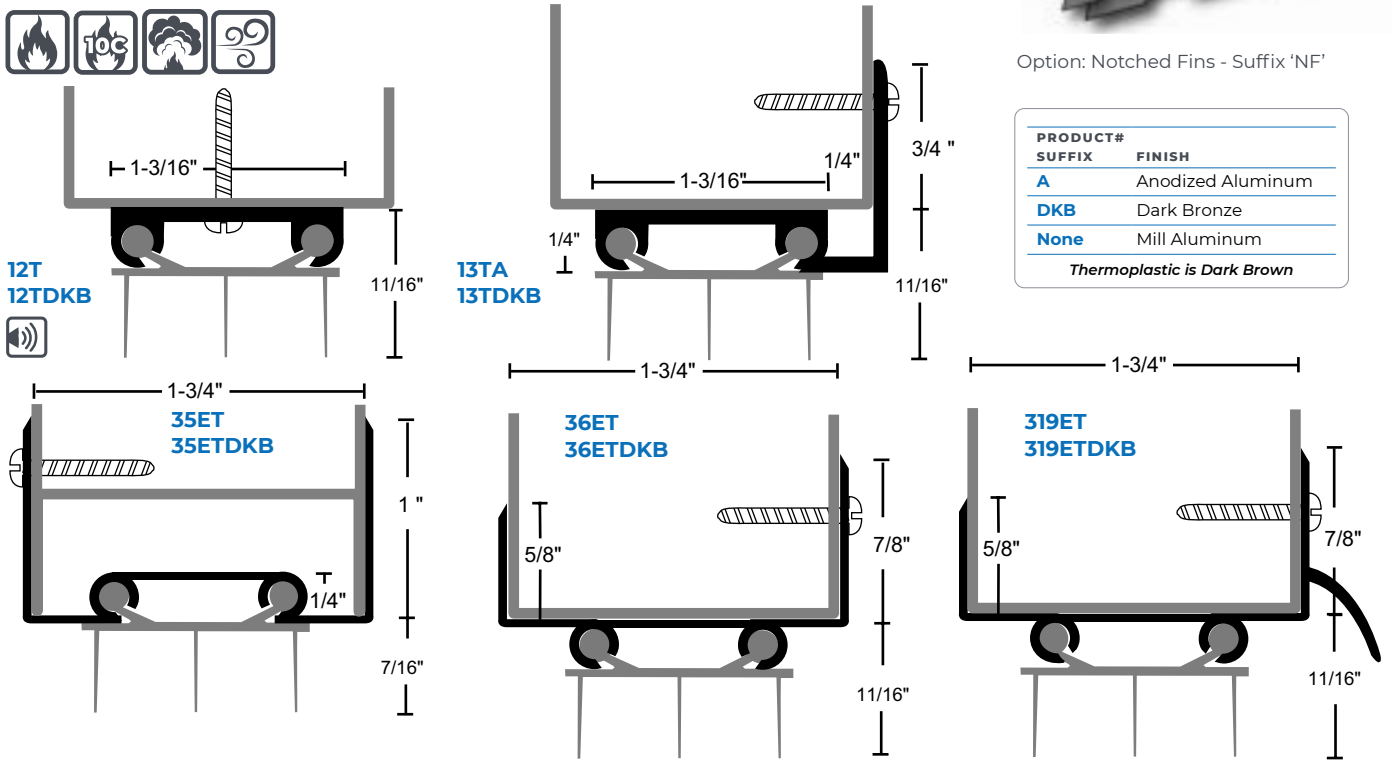
- ▶ Thermoplastic Polymer Seal with Rigid Base and Soft Vinyl Fins
- ▶ Available with Notched Fins to Allow Air Flow While Restricting Light, Suffix NF
- ▶ 48" Maximum Length
- ▶ #6 x 3/4" Stainless Steel SMS Furnished



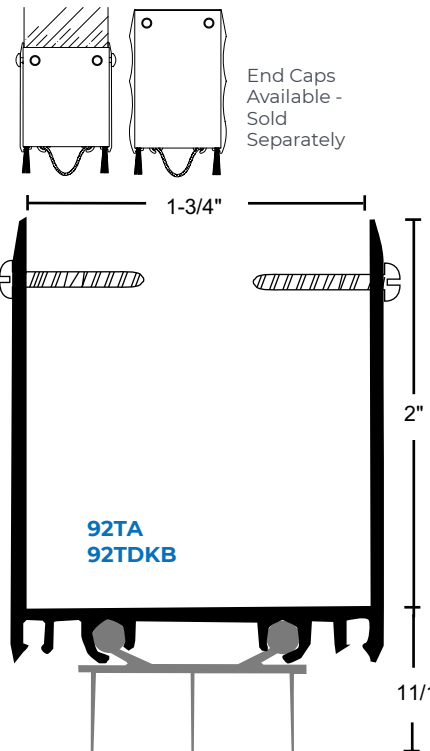
Option: Notched Fins - Suffix 'NF'

PRODUCT#	SUFFIX	FINISH
	A	Anodized Aluminum
	DKB	Dark Bronze
	None	Mill Aluminum

*Thermoplastic is Dark Brown*

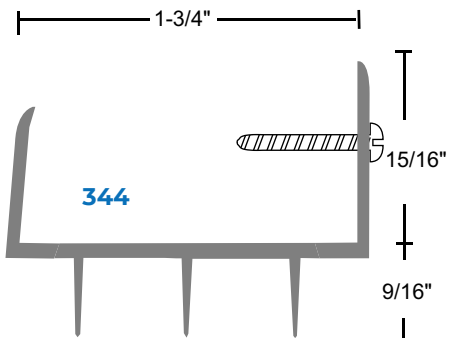


## EXTENDED DOOR SHOES



## RIGID THERMOPLASTIC DOOR SHOE WITH SOFT VINYL FINIS

- ▶ Available 36" and 48"
- ▶ Color is Dark Brown



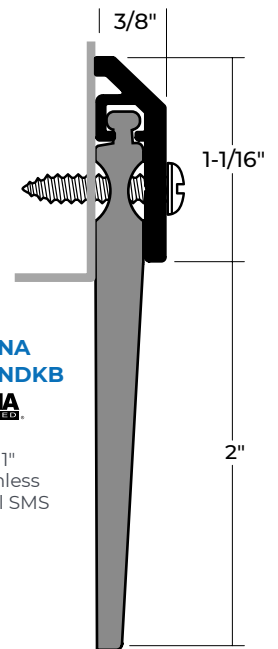
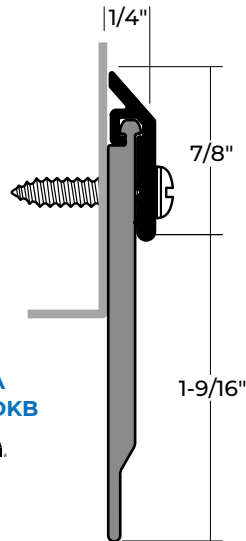
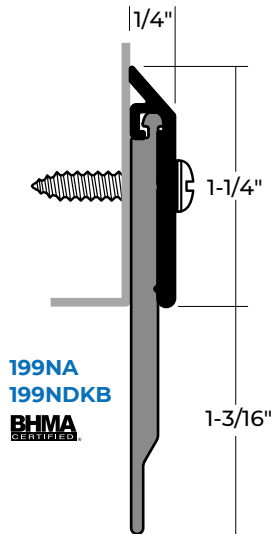
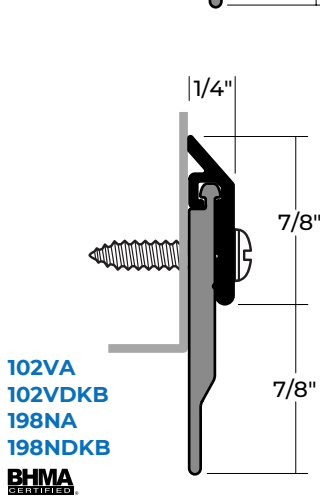
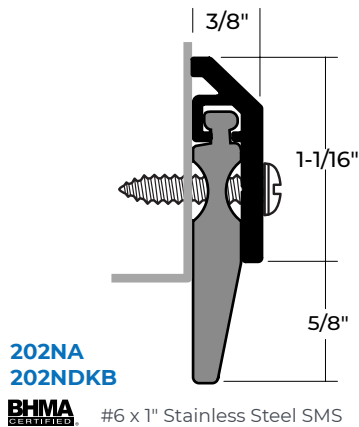
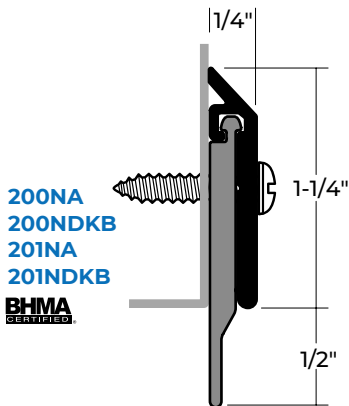
# NEOPRENE AND SILICONE SWEEPS

## NEOPRENE SWEEPS

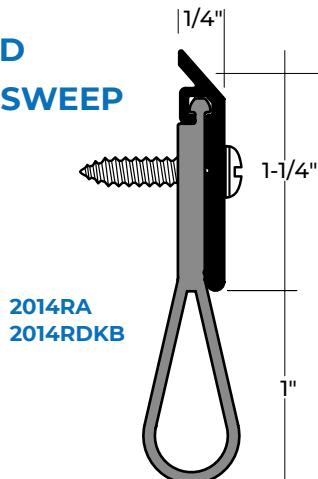
- #6 x 3/4" Stainless Steel Sheet Metal Screws Furnished
- Screw Holes Slotted for Adjustment.



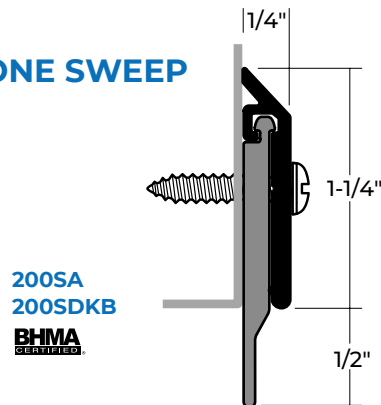
\*except 203N



## REINFORCED NEOPRENE SWEEP



## SILICONE SWEEP



**200NA**  
Anodized Aluminum  
Neoprene Door Sweep

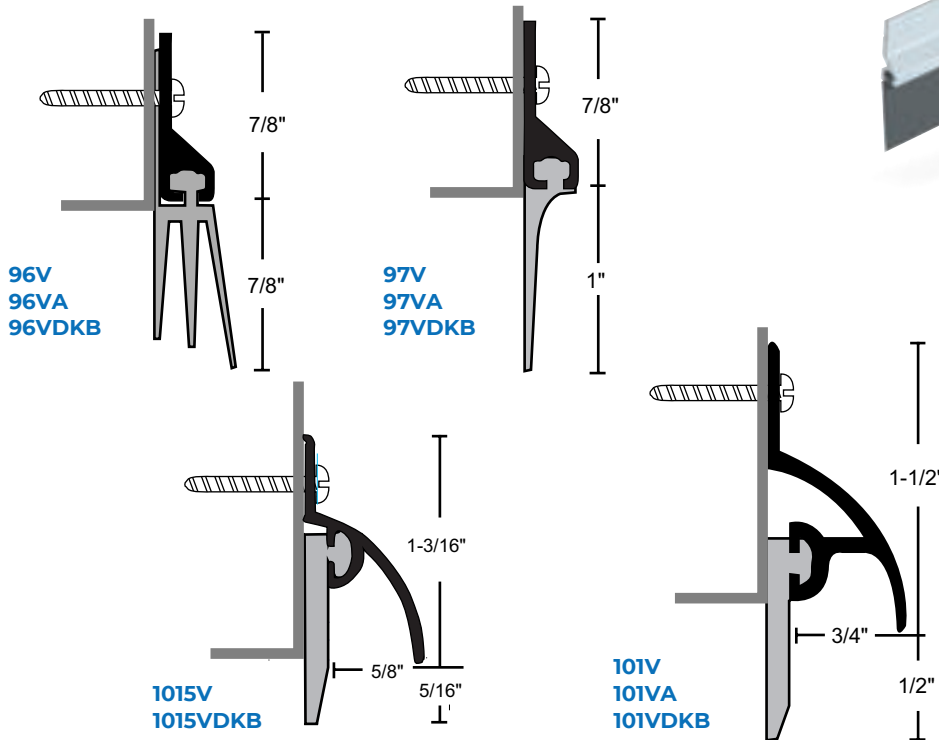
PRODUCT#	SUFFIX	FINISH
	A	Anodized Aluminum
	DKB	Dark Bronze
	None	Mill Aluminum
<i>Neoprene and Silicone are Black</i>		

# VINYL SWEEPS



- ▶ #6 x 3/4" Stainless Steel SMS Furnished
- ▶ Screw Holes Slotted for Adjustment
- ▶ Vinyl is Black

**97VA**  
Anodized Aluminum  
Vinyl Door Sweep



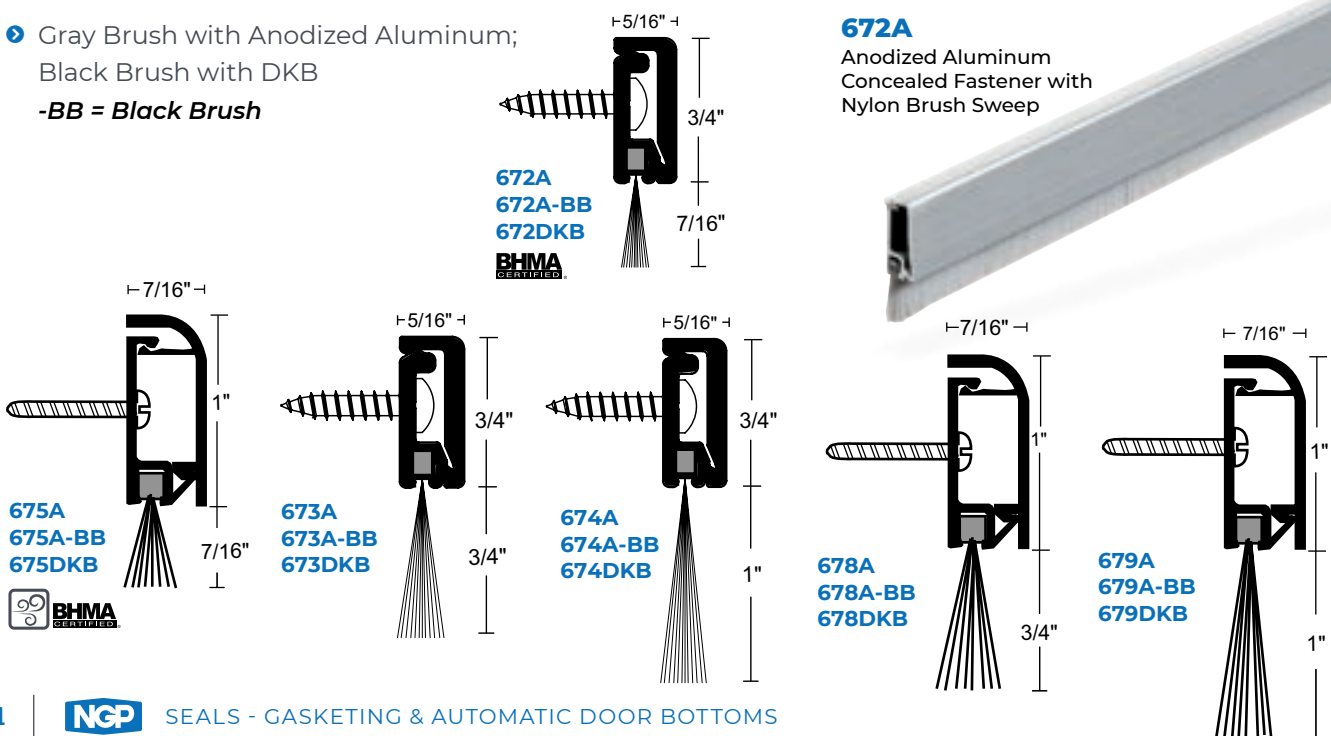
PRODUCT#	SUFFIX	FINISH
	A	Anodized Aluminum
	DKB	Dark Bronze
	None	Mill Aluminum
-BB = Black Brush		

# CONCEALED FASTENER NYLON BRUSH SWEEPS



- ▶ Gray Brush with Anodized Aluminum;  
Black Brush with DKB
- BB = Black Brush

**672A**  
Anodized Aluminum  
Concealed Fastener with  
Nylon Brush Sweep



# NYLON BRUSH SWEEPS

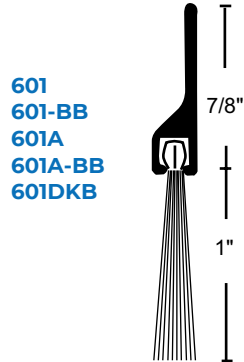
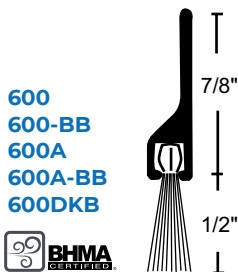
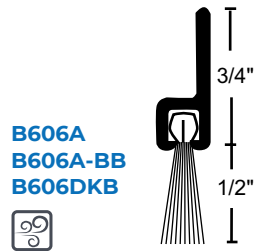
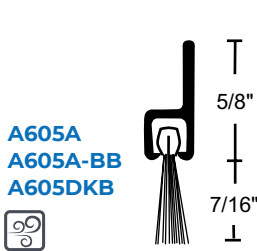
- #6 x 3/4" Stainless Steel SMS Furnished
- Screw Holes Slotted for Adjustment



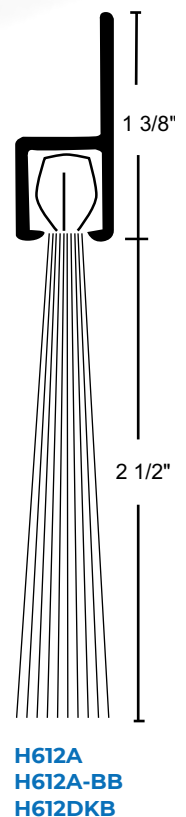
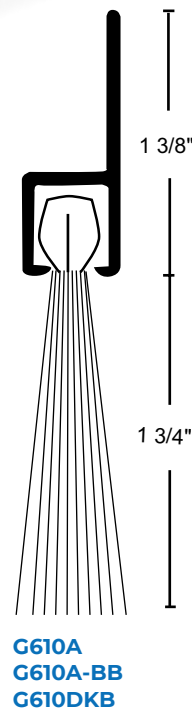
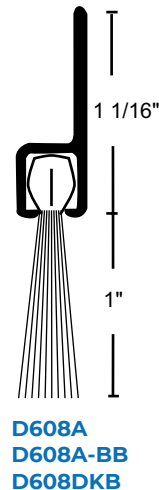
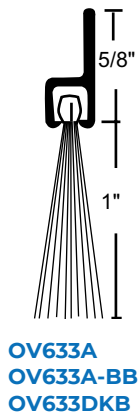
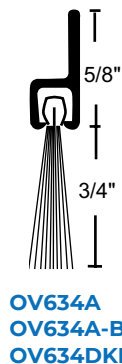
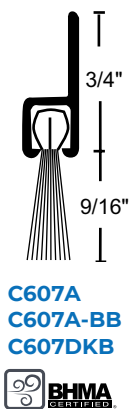
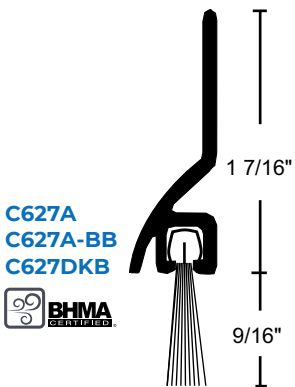
PRODUCT# SUFFIX	FINISH
A	Anodized Aluminum with Gray Brush*
DKB	Dark Bronze with Black Brush
None	Mill Aluminum with Gray Brush

*-BB = Black Brush*

**600A**  
Anodized Aluminum  
Nylon Brush Seal  
or Sweep



**C627A**  
Anodized Aluminum  
Nylon Brush Seal  
or Sweep



# NYLON BRUSH SEALS

## WITH EPDM RUBBER INSERT

- ▶ EPDM Rubber Insert Protects Against Water Penetration and Provides an Effective Bottom Seal for Exterior Doors
- ▶ Excellent Abrasion Resistance, Flexibility and Memory
- ▶ Moisture-Resistant
- ▶ Retains Insecticides Well
- ▶ Temperature Range - 60°F to 350°F
- ▶ #6 x 3/4" Stainless Steel SMS Furnished
- ▶ Screw Holes Slotted for Adjustment

### PRODUCT#

### SUFFIX

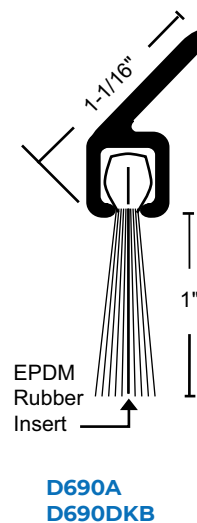
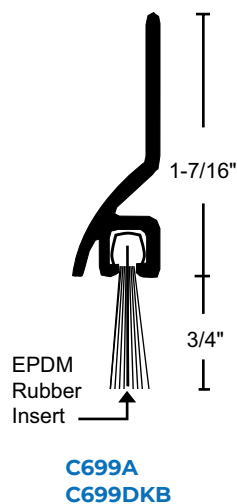
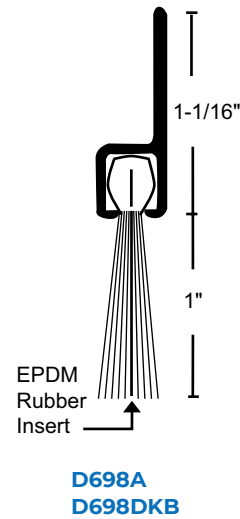
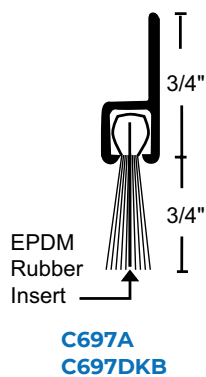
### FINISH

**A**

Clear Anodized with Black Brush

**DKB**

Dark Bronze with Black Brush

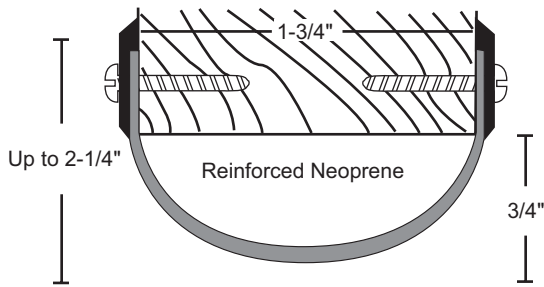


# DOOR BOTTOM SEALS

- ▶ Synthetic EPDM Rubber in Polypropylene Thermoplastic Matrix
- ▶ Flame-Resistant
- ▶ Moisture-Resistant
- ▶ Good Resistance to Ozone, Sunlight and Aging

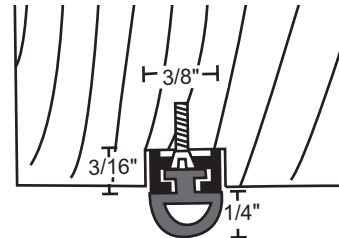
PRODUCT#	FINISH
<b>SUFFIX</b>	
<b>A</b>	Anodized Aluminum
<b>DKB</b>	Dark Bronze
<b>None</b>	Mill Aluminum

*Neoprene, Silicone & NGP-TPV are Black*



For 1 3/4" Doors: **14RA-1 3/4"**  
**14RDKB-1 3/4"**

For 2 1/4" Doors: **14RA-2 1/4"**  
**14RDKB-2 1/4"**



**136N**  
**136NDKB**  
NGP-TPV

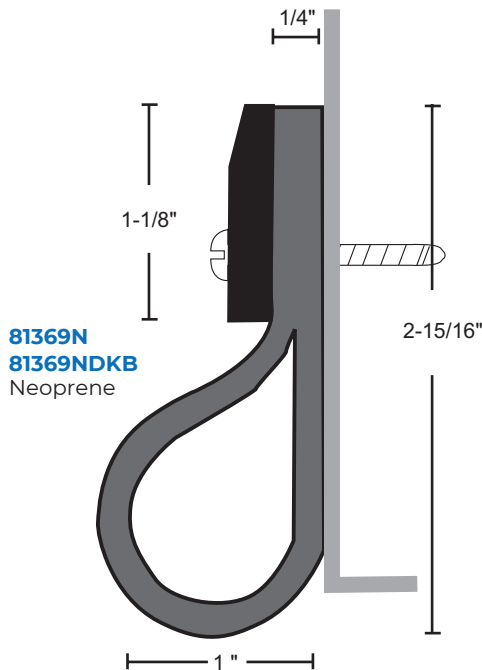


**136S**  
**136SDKB**  
Silicone



Mortise 7/16" Wide x Desired Depth.  
#2 SMS Furnished

# OVERHEAD DOOR BOTTOM SEAL



**81369N**  
**81369NDKB**  
Neoprene

#8 x 1-1/4" Stainless Steel SMS



**81369N**  
Mill Aluminum  
Overhead Door  
Bottom Seal

- ▶ Synthetic EPDM Rubber in Polypropylene Thermoplastic Matrix
- ▶ Very Good Abrasion Resistance, Tensile Strength and Memory
- ▶ Flame-Resistant
- ▶ Moisture-Resistant
- ▶ Temperature Range -81°F to 275°F
- ▶ Good Resistance to Ozone Sunlight and Aging

# SMOKE-RATED ASTRAGAL SEALS



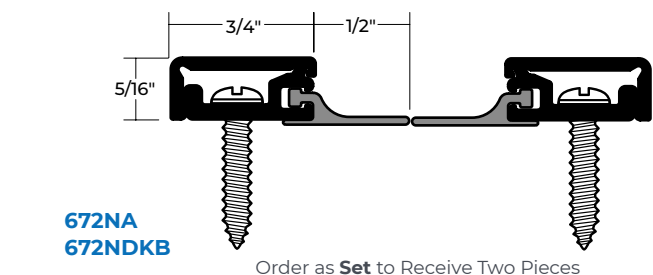
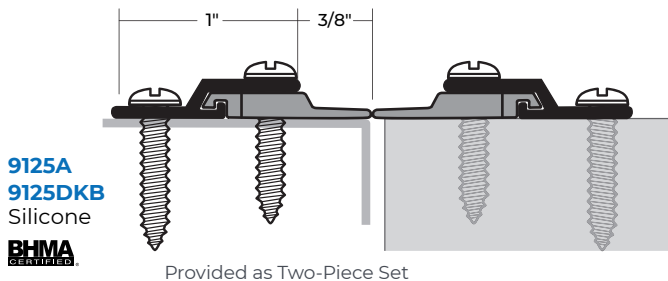
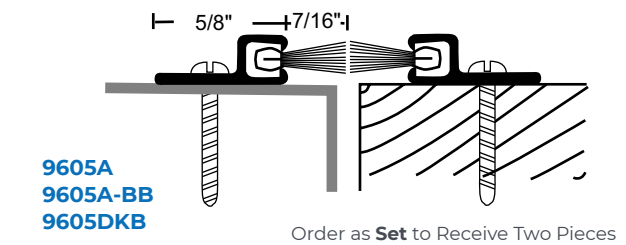
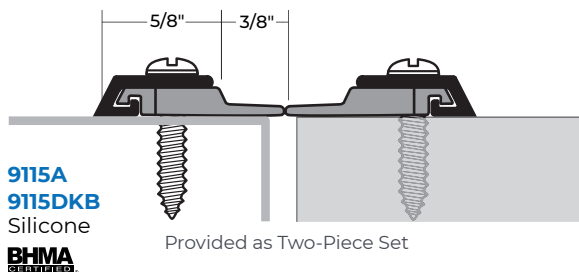
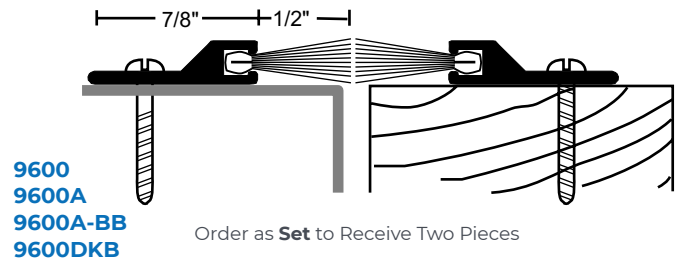
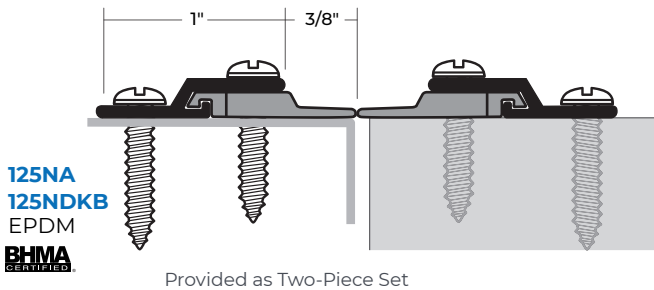
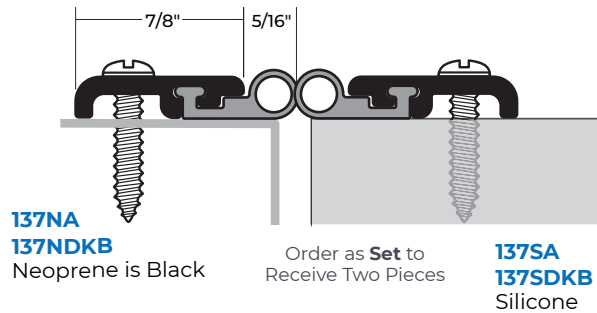
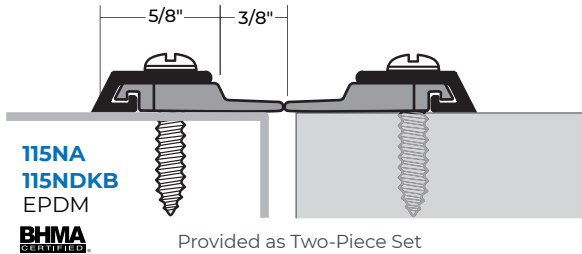
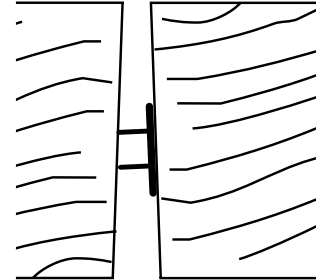
- Fire-Rated Astragal Seals Cannot Replace any Astragal Required on the Door by the Door Manufacturer to Maintain its Fire Label. IBC, NFPA 80, NFPA105, and NFPA 252 Require the Gap at the Meeting Edge Between Fire Labeled Doors Must Not Exceed 1/8"
- #6 x 3/4" Stainless Steel Sheet Metal Screws Furnished
- Screw Holes Slotted for Adjustment

METAL	EPDM	SILICONE	NYLON+
<b>A</b> - Anodized Aluminum	Black	Black	Gray
<b>DKB</b> - Dark Bronze	Black	Black	Black
<b>No Suffix</b> - Mill Aluminum	Black	Black	Gray

**-BB = Black Brush**

**5070B** Brown Self-Adhesive Silicone

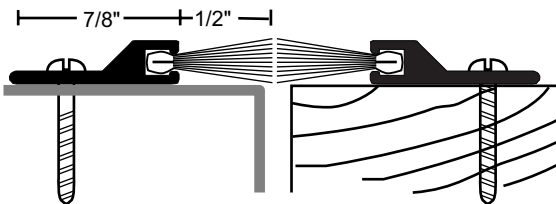
**5070CL** Clear Self-Adhesive Silicone





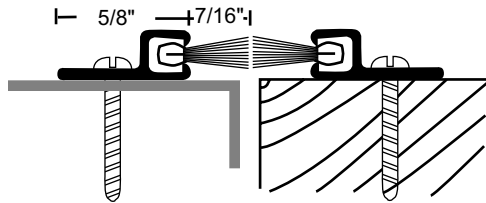
# SURFACE MOUNTED ASTRAGAL SETS

- ▶ #6 x 3/4" Stainless Steel SMS Furnished
- ▶ Screw Holes are Slotted for Adjustment



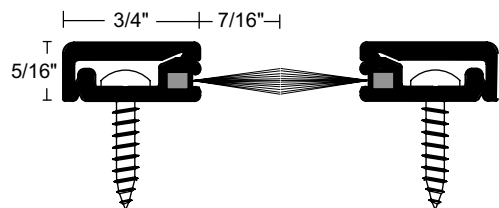
PRODUCT#	INSERT	FINISH
<b>600</b>	Gray Nylon Brush	Mill Al
<b>600-BB</b>	Black Nylon Brush	Mill Al
<b>600A</b>	Gray Nylon Brush	Anodized Al
<b>600A-BB</b>	Black Brush	Anodized Al
<b>600DKB</b>	Black Nylon Brush	Dark Bronze

Order as **Set** to Receive Two Pieces



PRODUCT#	INSERT	FINISH
<b>A605A</b>	Gray Nylon Brush	Anodized Al
<b>A605A-BB</b>	Black Nylon Brush	Anodized Al
<b>A605DKB</b>	Black Nylon Brush	Dark Bronze

Order as **Set** to Receive Two Pieces

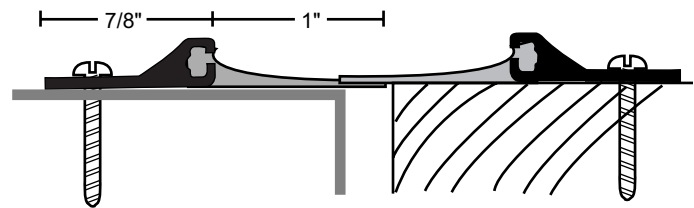


PRODUCT#	INSERT	FINISH
<b>672A</b>	Gray Nylon Brush	Anodized Al
<b>672A-BB</b>	Black Brush	Anodized Al
<b>672DKB</b>	Black Nylon Brush	Dark Bronze

Order as **Set** to Receive Two Pieces

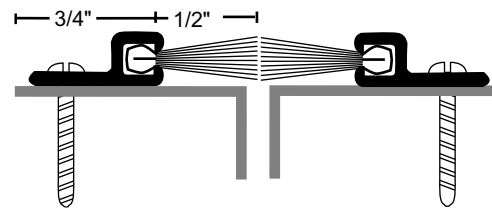


**600A**  
Anodized Aluminum  
Nylon Brush Seal  
or Sweep



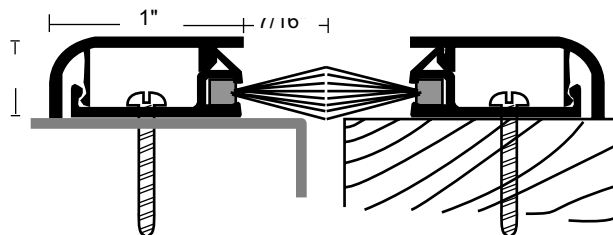
PRODUCT#	INSERT	FINISH
<b>97V</b>	Black Vinyl	Mill Al
<b>97VA</b>	Black Vinyl	Anodized Al
<b>97VDKB</b>	Black Vinyl	Dark Bronze

Order as **Set** to Receive Two Pieces



PRODUCT#	INSERT	FINISH
<b>B606A</b>	Gray Nylon Brush	Anodized Al
<b>B606A-BB</b>	Black Nylon Brush	
<b>B606DKB</b>	Black Nylon Brush	Dark Bronze

Order as **Set** to Receive Two Pieces



PRODUCT#	INSERT	FINISH
<b>675A</b>	Gray Nylon Brush	Anodized Al
<b>675A-BB</b>	Black Brush	Anodized Al
<b>675DKB</b>	Black Nylon Brush	Dark Bronze

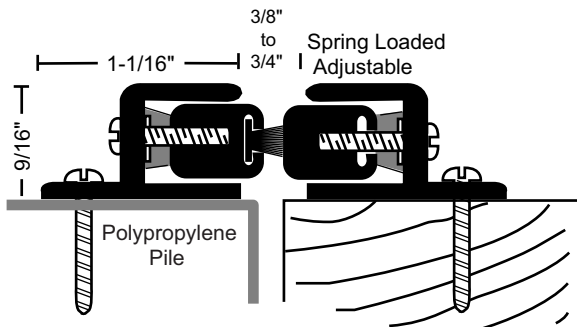
Order as **Set** to Receive Two Pieces

# SPRING ADJUSTABLE ASTRAGAL SETS

- ▶ Adjustment Screws on 10" Centers Allow Adjustment of the Seal Without Re-Positioning Mounting Location
- ▶ Spring-Loaded to Maintain Constant Pressure for the Most Effective Seal

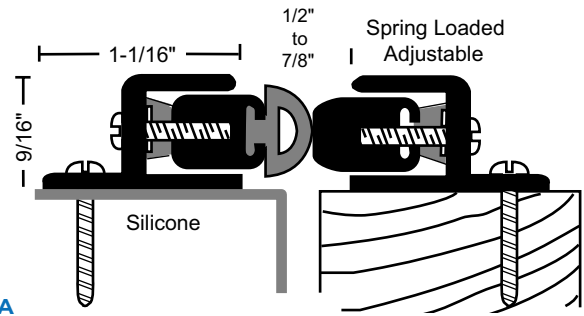


**140PA**  
Anodized Aluminum  
Spring Loaded Pile  
Astragal



**140PA**  
**140PDKB**  
Pile is Gray

Provided as Two-Piece Set



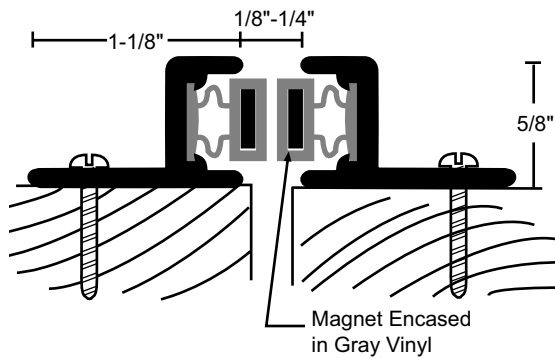
**140SA**  
**140SDKB**  
Silicone is Black

Provided as Two-Piece Set



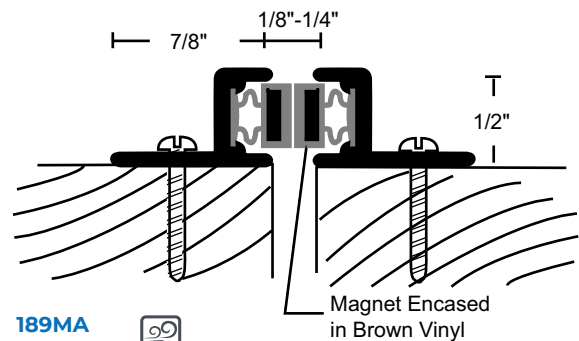
# MAGNETIC ASTRAGAL SETS

- ▶ #6 x 3/4" Stainless Steel SMS Furnished
- ▶ Screw Holes are Slotted for Adjustment
- ▶ Not Recommended for Use on Metal Doors



**149MA**  
**149MDKB**

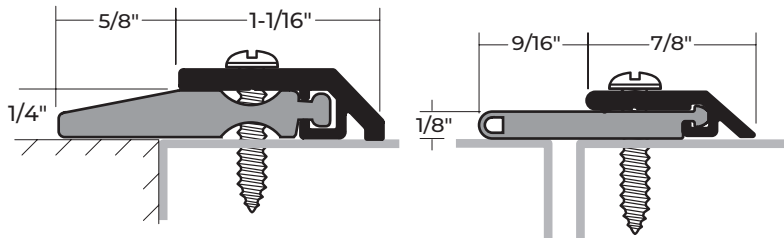
Provided as Two-Piece Set



**189MA**  
**189MDKB**

Provided as Two-Piece Set

# OVERLAPPING ASTRAGALS



**158NA**  
Anodized Aluminum  
Overlapping Astragal  
with NGP-TPV Seal

**109NA**  
**109NDKB**  
Neoprene

#6 x 1" & #6 x 3/4"  
Stainless Steel  
SMS Furnished



**114NA**  
**114NDKB**  
Neoprene



**114SA**  
**114SDKB**  
Silicone



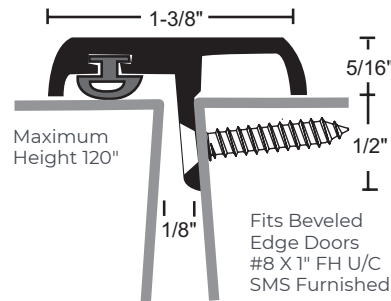
PRODUCT# SUFFIX	FINISH
A	Anodized Aluminum
DKB	Dark Bronze
None	Mill Aluminum

*Pile is Gray  
Vinyl, Neoprene, NGP-TPV  
and Silicone are Black*

**158VA**  
**158VDKB**  
Vinyl



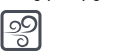
**158NA**  
**158NDKB**  
NGP-TPV



**158SA**  
**158SDKB**  
Silicone

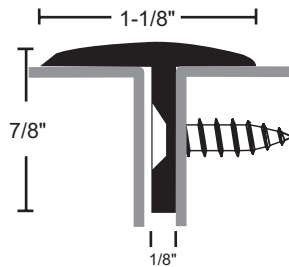


**158PA**  
**158PDKB**  
Polypropylene Pile



**176A**  
**176DKB**

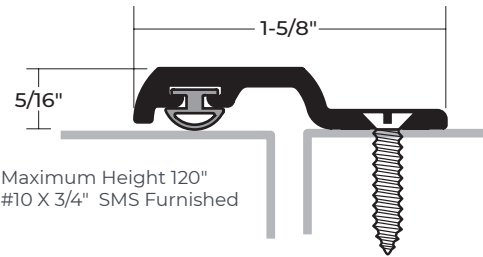
Maximum Height 120"  
Fits Square Edge Doors  
#10 X 3/4" SMS Furnished



**178SA**  
**178SDKB**  
Silicone



Maximum Height 120"  
#10 X 3/4" SMS Furnished

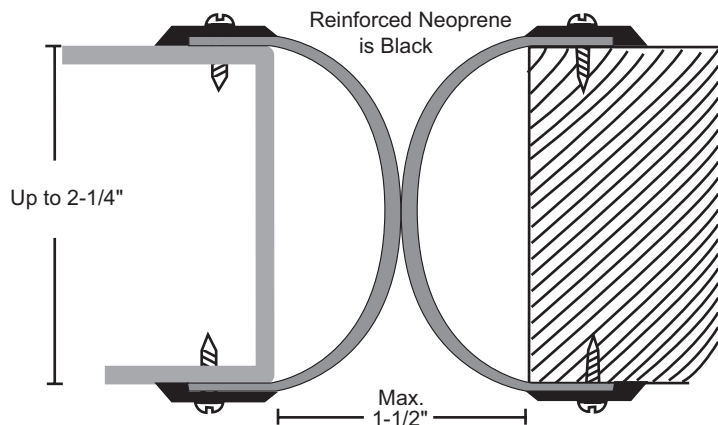


# SPECIALTY ASTRAGAL

For 1 3/4" Doors:  
**14RA-1 3/4"**  
**14RDKB-1 3/4"**

For 2 1/4" Doors:  
**14RA-2 1/4"**  
**14RDKB-2 1/4"**

Order as Set to  
Receive Two Pieces



# SOLID METAL ASTRAGALS

- ▶ 1/16" Thick Lead Insert Available – Specify “Lead-Lined”
- ▶ Available with SNB, Specify

**139SP**  
Steel Prime Coat

**139SPDKB**  
Steel Dark Bronze



Furnished with #12 x 1 1/4" SMS.  
Can Replace Astragal Required by the Door Manufacturer on Wood or Metal Fire-Rated Doors. IBC, NFPA80, NFPA 252 Require the Gap at the Meeting Edge Between Fire Labeled Doors Must Not Exceed 1/8". Astragal Must Overlap Gap and Inactive Door Minimum of 3/4".

**139A**  
Anodized Aluminum

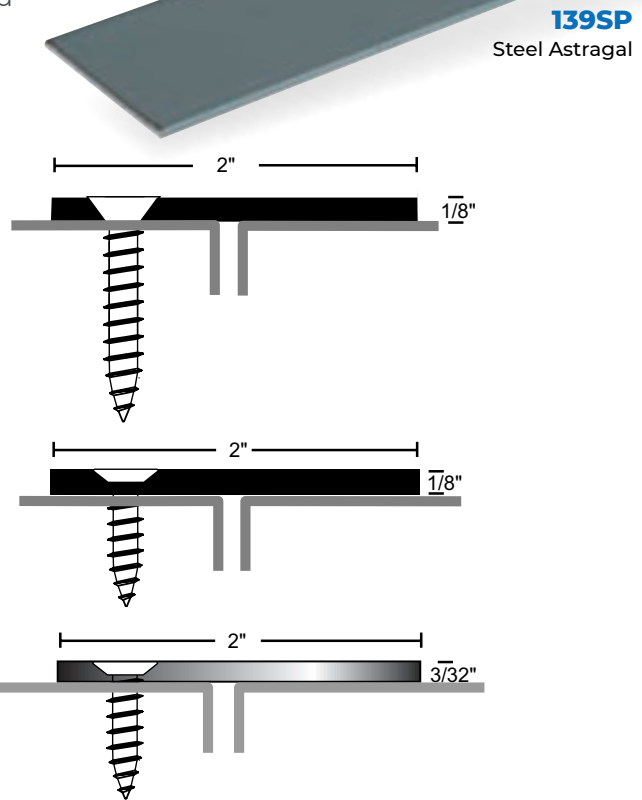
**139DKB**  
Aluminum Dark Bronze

#10 x 3/4" SMS Furnished

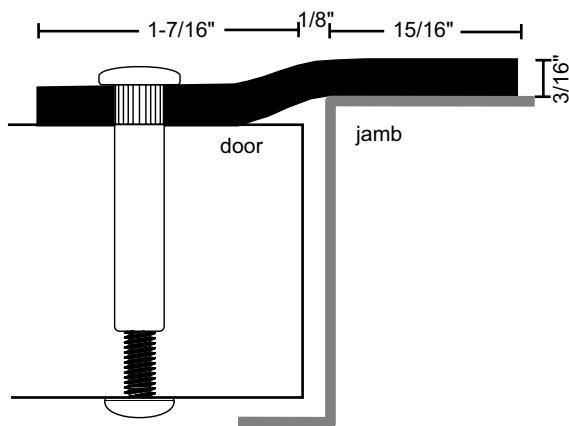
**139SS**  
Stainless Steel

Type 304 Brushed #4 Finish (US32D, 630)

#10 x 3/4" SMS Furnished

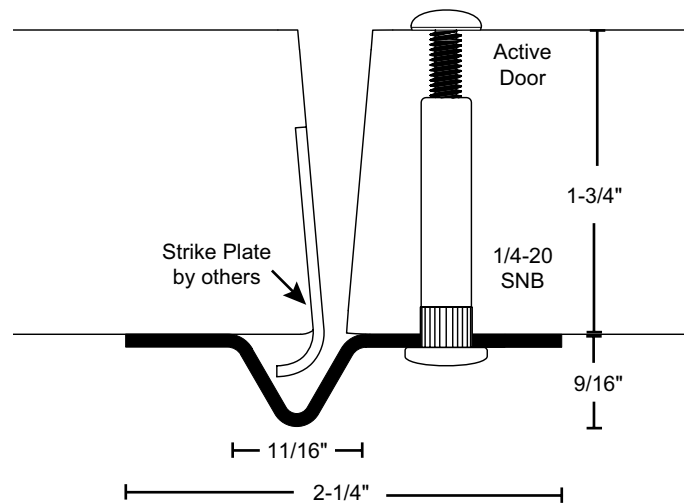


# STEEL SECURITY ASTRAGALS



**1392SP**  
Steel Prime Coat

Maximum Height 120"  
#1/4-20 SNB's Furnished



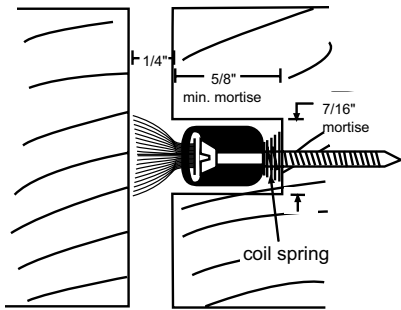
**1390SP-83-1/8"**  
14 Ga. Galvanneal Steel

No Notching or Field Cutting  
Needed for Curved Lip Strikes

**1390SP-95-1/8"**  
Prime Coat

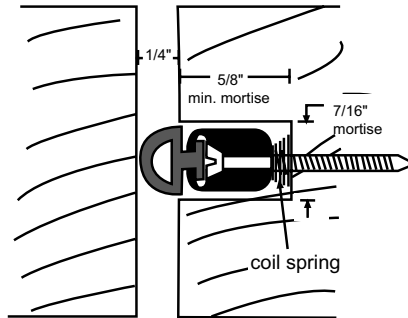


# MORTISED ASTRAGALS



**143PA**  
**143PDKB**  
Polypropylene Pile

#6 SMS Furnished



**143NA**  
**143NDKB**  
Neoprene



#6 SMS Furnished

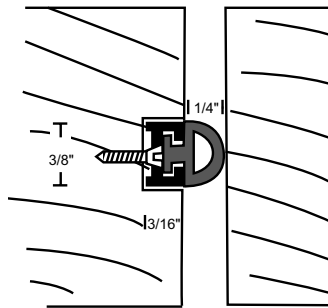
**143SA**  
**143SDKB**  
Silicone



**143PA**  
Anodized Aluminum  
Mortised Astragal with  
Pile Seal

PRODUCT#	SUFFIX	FINISH
A		Anodized Aluminum
DKB		Dark Bronze
None		Mill Aluminum

*Nylon Brush\* and Pile are Gray  
Vinyl, Neoprene, NGP-TPV  
and Silicone are Black  
-BB = Black Brush*



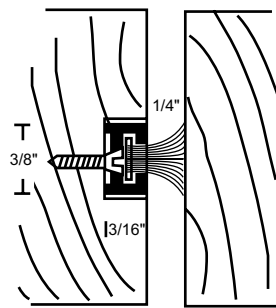
**136N**  
**136NDKB**  
NGP-TPV



**136S**  
**136SDKB**  
Silicone

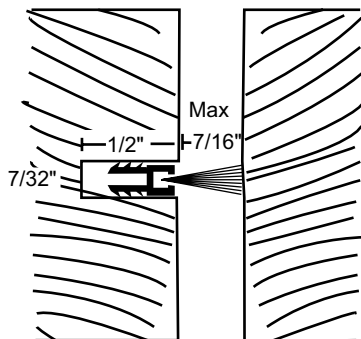


Mortise Dimensions 3/8" Wide x  
Desired Depth. #2 SMS Furnished



**136P**  
**136PDKB**  
Polypropylene Pile

Mortise Dimensions 3/8" Wide x  
Desired Depth. #2 SMS Furnished



**A635**  
**A635-BB**  
Nylon Brush



Mortise dimensions 7/32" x 1/2"

Order as **Set** to Receive Two Pieces  
Maximum Length 108"

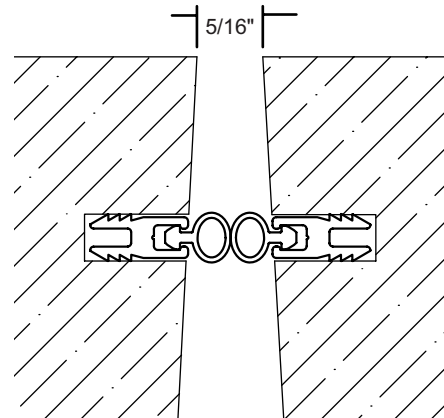
**151N**  
NGP-TPV



**151S**  
Silicone



**151V**  
Vinyl



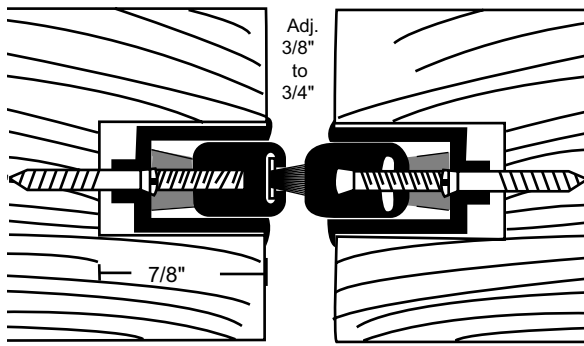
Mortise Dimensions 5/16" Wide x 1/2"  
Order as **Set** to Receive Two Pieces  
Maximum Length 108"

# SPRING ADJUSTABLE MORTISED ASTRAGALS

- ▶ Adjustment Screws on 10" Centers Allow Adjustment of the Seal Without Repositioning Mounting Location
- ▶ Spring-Loaded to Maintain Constant Pressure for the Most Effective Seal

PRODUCT#	FINISH
SUFFIX	
A	Anodized Aluminum
DKB	Dark Bronze

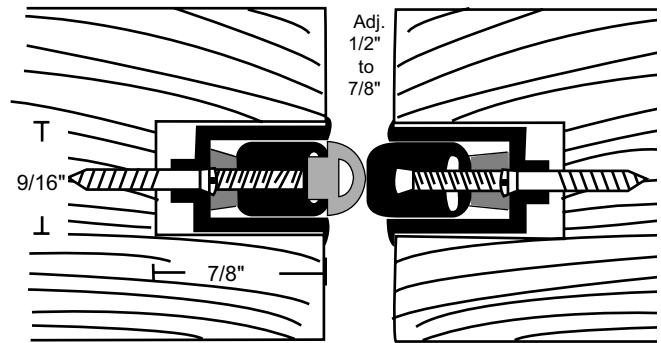
*Pile is Gray  
Silicone is Black*



Spring Loaded

**144PA**  
**144PDKB**  
Polypropylene Pile

Mortise Dimensions  $\frac{3}{16}$ " Wide x  $\frac{7}{8}$ "  
#8 x  $\frac{3}{4}$ " SMS Furnished  
Provided as Two-Piece Set



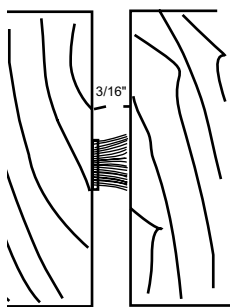
Spring Loaded

**144SA**  
**144SDKB**  
Silicone

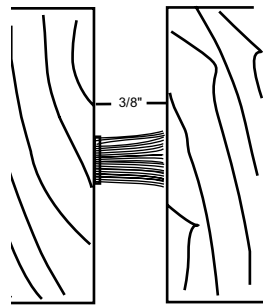


Mortise Dimensions  $\frac{3}{16}$ " Wide x  $\frac{7}{8}$ "  
#8 x  $\frac{3}{4}$ " SMS Furnished  
Provided as Two-Piece Set

# SELF-ADHESIVE PILE ASTRAGALS



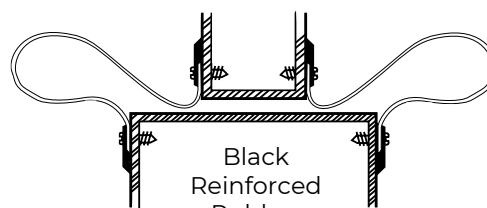
**340P**  
Polypropylene Pile



**336P**  
Polypropylene Pile

# SAFETY SEAL FOR DOUBLE-ACTING DOORS

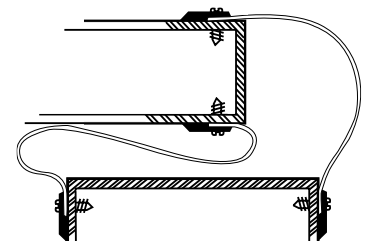
- ▶ Seals and Closes Gap at Heel of Double-Acting or Center Pivoted Doors
- ▶ #6 x  $\frac{3}{4}$ " Stainless Steel Sheet Metal Screws Furnished



**1000RA**  
**1000RDKB**

Black  
Reinforced  
Rubber

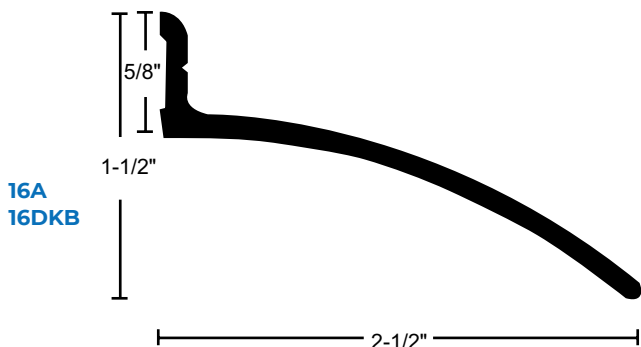
5", 10" or 16" Overall Widths Available - Specify



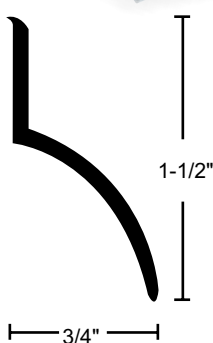
# GUARDS / SEALS

## RAIN DRIP GUARDS

- ▶ #6 x 3/4" Stainless Steel SMS Furnished

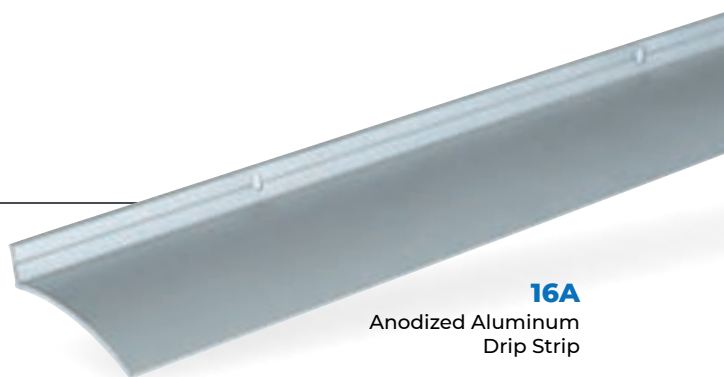


**16A**  
**16DKB**



**17**  
**17DKB**

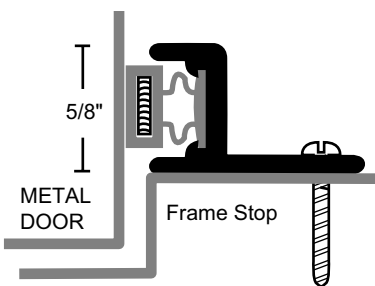
PRODUCT#	FINISH
<b>A</b>	Anodized Aluminum
<b>DKB</b>	Dark Bronze
<b>None</b>	Mill Aluminum



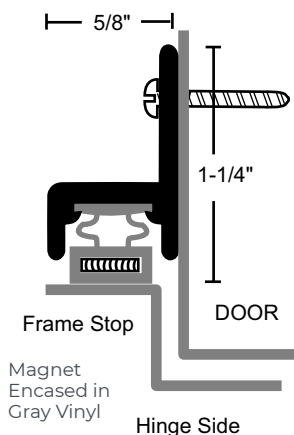
**16A**  
Anodized Aluminum  
Drip Strip

## MAGNETIC SEALS

- ▶ #6 x 3/4" Stainless Steel SMS Furnished
- ▶ Screw Holes Slotted for Adjustment
- ▶ Maximum Length 144"

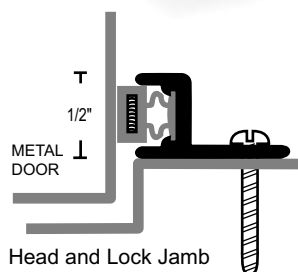


**159MA**  
**159MDKB**



Magnet  
Encased in  
Gray Vinyl

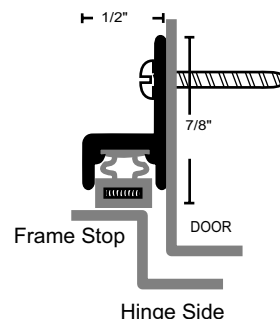
Hinge Side



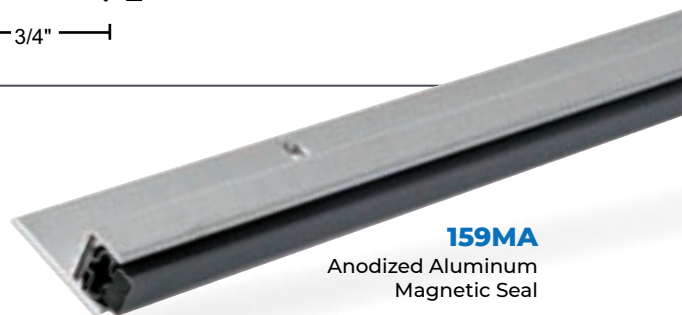
**157MA**  
**157MDKB**



Magnet  
Encased in  
Brown Vinyl



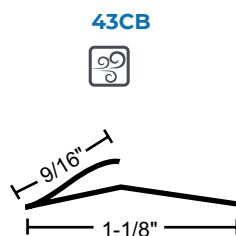
Hinge Side



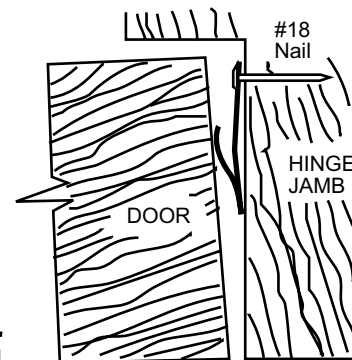
**159MA**  
Anodized Aluminum  
Magnetic Seal

## CUSHION BRONZE WEATHERSTRIP

- ▶ Cushion Material Will Not Coil. Specify Lengths Required (36", 48", 72", 86", And 96".) Nails Not Included
- ▶ Normal Installation Requires 3/4 lb. of Nails Per 100 ft. of Weatherstrip; Install 2" O.C. Zinc Plated Bronze Finish Nails Available in 1 lb. Bags
- ▶ Wafer Head Pilot Point Drive Nails Make Excellent Applications for Metal Jambs, Normal Installation Requires 6 Per Foot
- ▶ Install Using #41 Drill Bit. Available with Fast Attach Tape - Specify X "FATT"



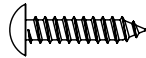
**43CB**



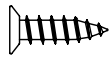
# GASKETING FASTENERS



#2 x 1/2" FH  
Phillips SMS



#4 x 5/8" TH  
Phillips SMS  
Use 5/64" Drill



#6 x 1/2" FH  
Phillips SMS  
Use 7/64" Drill



Phillips Head  
Top View



Spanner Head  
Top View



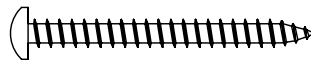
Torx Security  
Top View



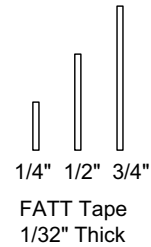
#6 x 3/4" PH  
Phillips SMS  
Use 7/64" Drill



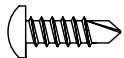
#6 x 1" PH  
Phillips SMS  
Use 7/64" Drill



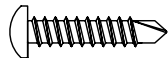
#6 x 1 1/2" PH  
Phillips SMS  
Use 7/64" Drill



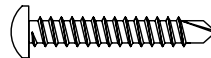
1/4" 1/2" 3/4"  
FATT Tape  
1/32" Thick



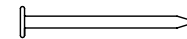
#6 x 1/2"  
Phillips  
TEK Screw



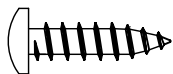
#6 x 3/4"  
Phillips  
TEK Screw



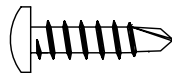
#6 x 1"  
Phillips  
TEK Screw



#18 x 7/8" Nail for  
Spring/Cushion  
Bronze Weather Strip  
on Wood Jamb



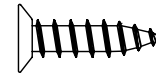
#8 x 3/4" PH  
Phillips SMS  
Use 9/64" Drill



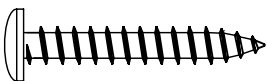
#8 x 3/4"  
Phillips  
TEK Screw



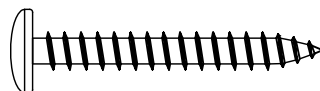
#8 x 1" FH  
Phillips U/C SMS  
Use 9/64" Drill



#10 x 3/4" FH  
Phillips U/C SMS  
Use 11/64" Drill



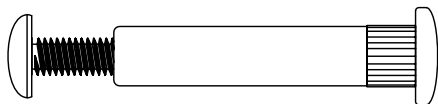
#8 x 1 1/4" TH  
Phillips SMS  
Use 9/64" Drill



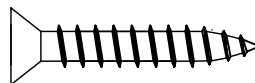
#10 x 1 1/2" TH  
Phillips SMS  
Use 11/64" Drill



#4 Wafer Head Drive Nail  
for Spring/Cushion  
Bronze Weather Strip  
on Metal Jamb  
Use #41 Drill Bit for Pilot Hole



#1/4 - 20 Phillips SNB



#12 x 1 1/4" FH  
Phillips SMS

PH = Pan Head  
FH = Flat Head  
TH = Truss Head  
MS = Machine Screw  
SMS = Sheet Metal Screw  
SNB = Sex Nut & Bolt  
U/C = Undercut



# NOTES

---

# NOTES

---

# NOTES

---



For the most up-to-date  
Gasketing  
Catalog scan the QR code  
or visit [ngp.com](http://ngp.com).



**[ngp.com](http://ngp.com)**  
**1-800-NGP-RUSH**

FAX: (800) 255-7874  
QUOTES: [quotes@ngp.com](mailto:quotes@ngp.com)  
ORDERS: [orders@ngp.com](mailto:orders@ngp.com)

**NGP MEMPHIS**  
4985 East Raines Road  
Memphis, TN 38118

**CARSON CITY**  
3689 Arrowhead Drive  
Carson City, NV 89706