

CATALOG



ASSA ABLOY

Experience a safer
and more open world

OPERATORS

CONTROL FOR ANY APPLICATION



TABLE OF CONTENTS

Introduction.....	3
-------------------	---

FRAME-MOUNTED ELECTROHYDRAULIC:

6000 Series

Introduction, Features.....	4
Functions, Electrical Data, Certifications, Patents.....	5
Specifications.....	6
Applications.....	7-9
Door Opening Examples.....	10
Operator Details.....	11
Technical Information, Cover Dimensions.....	12
Parts List.....	13-15
How to Order.....	16

5700 Series

Introduction, Features, Benefits, Patents.....	17
Functions, Electrical Data, Certifications, Patents, Specifications.....	18
Applications.....	19
Kits.....	20
Parts List.....	21-22
How to Order.....	23

5500 Series

Introduction, Features, Benefits, Certifications, Patents.....	24
Applications.....	25
Parts List.....	26
Arm and Track Assemblies.....	27
How to Order.....	28

FRAME-MOUNTED ELECTROMECHANICAL:

6300 Series

Introduction, Functions.....	29
Functions.....	30
Electrical Data, Certifications, Specifications, Patents.....	31
Applications.....	32-34
Product Comparison, Technical Information.....	35
Kits.....	36
Parts List.....	37
How to Order.....	38

6200 Series

Introduction, Features, Benefits.....	39
Functions.....	40
Electrical Data, Certifications, Patents, Specifications.....	41
Applications.....	42
Technical Information.....	43
Parts List.....	44
How to Order.....	45

5200 Series

Introduction.....	46
Features.....	47
Functions.....	48
Electrical Data, Certifications, Specifications.....	49
Applications.....	50
Technical Information.....	51
Parts List.....	52
How to Order.....	53

DOOR-MOUNTED ELECTROMECHANICAL:

5800 Series

Introduction, Features, How it Works.....	53
Functions, Certificates, Patents.....	54
Specifications.....	55
Product Descriptions.....	56
Kits.....	57
Wireless Interface Module (WIM).....	58
Technical Information.....	59
Trash Room Doors.....	60
Parts List.....	61-62
How to Order.....	63

Accessories.....	64-70
------------------	-------

Product Comparison.....	71
-------------------------	----

INTRODUCTION

The Norton Rixson portfolio of low energy door operators offers a broad range of functions for all ranges of low- to high-use openings, to serve the specific needs of virtually any swing door application. These functions, combined with robust construction and testing, and additional user safety features ensure facilities comply with strict codes while reaping the benefits of a long-term life of reliable operation.

To deliver the highest quality of product, Norton Rixson designs, assembles, tests and ships out all door operators from its state-of-the-art manufacturing facility in Monroe, North Carolina.

Electrohydraulic

- Electrohydraulic low energy operators incorporate a door closer for smooth reliable door control
- These units are used in applications where doors are typically operated manually, but can also be activated via wall switches, motion sensors, etc. for automatic operation

Electromechanical

- Electromechanical low energy operators feature a motor and gearbox for consistent automatic operation
- These units are used in applications where automatic mode (activated by wall switches, motion sensors, etc.) is the primary function

INTRODUCTION

The 6000 Series low energy operator is a heavy-duty unit designed for rigorous, high-use applications. Built-in intelligence enables the operator to safeguard users while providing better door control. Simple installation, setup, and adjustment, allows for seamless integration with a multitude of facilities and systems.



FEATURES

- Push or pull side mounting
- Non-handed
- Modular design for one person install
- LCD screen
- Full cover option on double/pair of doors
- 1.3A onboard power supply
- Activated by wall switch, hands-free, and RF devices
- Door width: 36"-48"
- Operates as a mechanical surface closer when power is off
- On board electronics collect usage and cycle count data to facilitate preventative maintenance/diagnostics
- WiFi Interface*
- NorGlide® fluid
- 2 year limited warranty



* No connection to building's WiFi is required

6000 SERIES

LOW ENERGY POWER OPERATORS

FUNCTIONS

Adjustable Hold Open

- Amount of time a door will stay in the full open position after an activation

Blow open for smoke ventilation

- Door opens when signal is received from alarm system allowing air or smoke to flow through opening.
- Door will stay open until signal from alarm system is stopped

Infinite Hold Open

- Door will hold open at set position until power is turned off

Obstruction Detection

- Open: door closes if it hits an obstruction while opening
- Close: door reopens (once) if it hits an obstruction while closing. If it hits the obstruction again, the door will rest against the obstruction until it is removed

Open Delay

- Delays operator opening for locking hardware

Overload Safety Shut-Off

- After 3 minutes of receiving a door activation signal, inverter times out and door closes
- Prevents motor/inverter damage

Presence Detector Input

- Input for external sensor to detect presence at door open or close position only

Push & Go

- As the door is manually opened, the operator “senses” movement and opens door to the full-open position

Selector mode switch

- Off - Disables signal inputs unless Blow Open is activated
- On - Activates signal inputs
- Hold Open - Activates the unit (unless blow closed is activated on 6300) to the hold open position

Two Selectable Output relay

- Multi-function relay outputs

Vestibule Delay

- When the wall switch is pressed, first door in vestibule will open. Second door will open once vestibule door delay has expired. Delay is adjustable.

ELECTRICAL DATA

- Power input 120 VAC, 60 Hz (+10%, -15%)
- Current draw 0.9A (single), 1.8A (double)
- Auxiliary output 24 VDC @ 1.3A
- SPDT relay output for controlling electric strikes or electric locks not to exceed 1 amp @ 30 VDC

CERTIFICATIONS

- ANSI/BHMA A156.19 certified 
- ETL tested to UL-cUL standards for automatic doors used on fire and smoke barrier doors and CSA C22.2 No. 247 for operators and systems of doors
- UL10C positive pressure push (3-hour), pull (90 min)
- Comply with requirements for the Americans with Disabilities Act (A.D.A)
- California State Fire Marshall Listing 3266-0944:0110
- Manufactured in an ISO 9001 and ISO 14001 facility
- Verified by Green Circle to offer the following energy savings as compared to similar products:
 - 19% efficiency
- Health product declaration and UL certified environmental product declaration



PATENTS

- www.assaabloydss.com/patents

ARCHITECTURAL SPECIFICATIONS

General Specifications

- Door Controls (interior)(exterior) swinging door(s) shall be of rack and pinion design contained within a precision cast aluminum housing.
- Door closing force shall be adjustable to ensure adequate closing control.
- Door closing speed shall be controlled by independent hydraulic adjustment valves in the sweep and latch range of the closing cycle.
- Door Operator shall provide conventional door closer opening and closing forces unless the power operator motor is activated.
- Door Operator opening force and speed shall be adjustable in the inverter/interface module's LCD screen to ensure adequate opening control per accessibility codes.
- Door Operator shall have an adjustable hydraulic back-check valve to cushion the door speed if opened violently.
- Door Operator shall utilize the inverter/interface module's LCD screen and joystick to establish door closed and open positions. [(Door Operator shall be AUTOMATICALLY ACTIVATED by either a slight push or pull in the direction of opening swing – Push & Go.) (Door Operator shall be SELECTIVELY ACTIVATED by external initiating device, i.e. wall switch, etc.) (Door Operator shall be both AUTOMATICALLY ACTIVATED and SELECTIVELY ACTIVATED.)]
- Unit shall include “E-saver” feature to automatically recognize abled body traffic and immediately trigger door to close after sensing no forces on door.
- Unit shall have delay for motor activation, electric lock interfacing, and hold open time. Units shall have SPDT relay for interfacing latch retraction exit devices or similar products and have 24VDC @ 1.3A output for connection of electric strike, lock, radio frequency receiver, etc.
- Units shall have Vestibule sequencing input for operation of two or more units.
- Unit shall have smoke ventilation inputs to power open doors when activated by fire or smoke alarm.
- Unit shall have a three-position Selector Mode Switch that will permit the unit to be switched “ON” to monitor for function inputs, switched “H/O” for indefinite hold open function or switched “OFF” which will disable function inputs allowing unit to be used as a manual door closer.

- Unit shall be ETL tested to UL standards for automatic closing door.
- The Unit shall be adjustable to provide compliance with the requirements of the Americans With Disabilities Act (ADA). Unit shall be certified by BHMA to meet ANSI A117.1 and A156.19 requirements.
- Unit shall meet UL10C, UL-cUL and UL10B standards.

ADDITIONAL SPECIFICATIONS FOR FUNCTIONS

For Power Operator Function:

- When activated, the unit shall, by means of a motor, chain and closer, power open the door at both a speed and force that are adjustable to accessibility codes.
- The door shall be powered from a door closed position to a full door open position and remain in momentary hold open for 5 seconds minimum (adjustable 0 to 30 seconds in 1 second increments).
- [(Unit shall power open door to full open position up to 110°.) (Unit shall be capable of opening door manually from 110° – 180°.)]
- Once unit reaches full hold open position, if reinitiated, unit's momentary hold open time shall restart from the maximum set time. If unit is initiated during the closing cycle, unit shall revert to opening cycle beginning at that door position.
- Unit shall have a toggled hold open input that upon first initiation will power door to a maintained hold open position; a second initiation will allow door to close.
- Unit shall have obstruction detection on closing, which will reverse the closing door to the full open position then re-attempt to close door after momentary hold open time has elapsed.
- Obstruction detection on opening shall shut motor off, allowing door to close under spring force. These obstruction detection features shall be integral to unit. During closing cycle, the unit shall close door under full spring power not to exceed a closing force of 15 lbf.

6000 SERIES

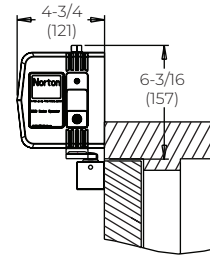
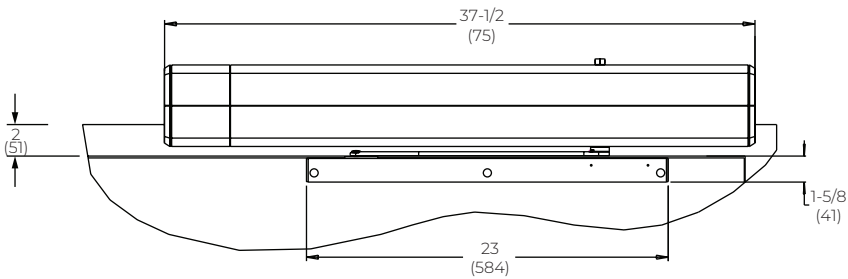
LOW ENERGY POWER OPERATORS

APPLICATIONS



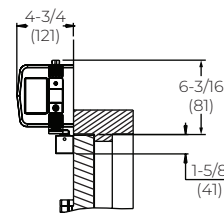
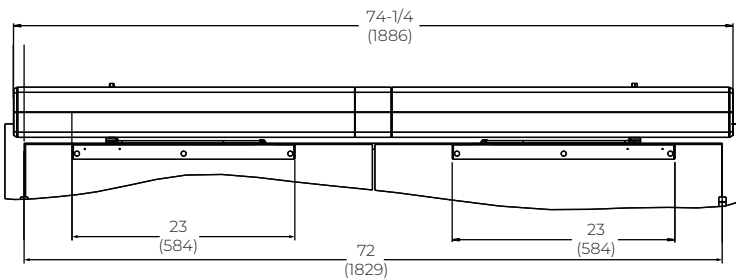
6011

HINGE (PULL) SIDE OF DOOR
RIGID ARM AND SLIDE TRACK



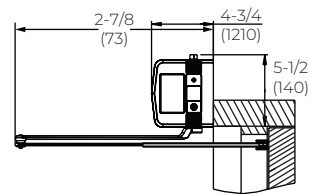
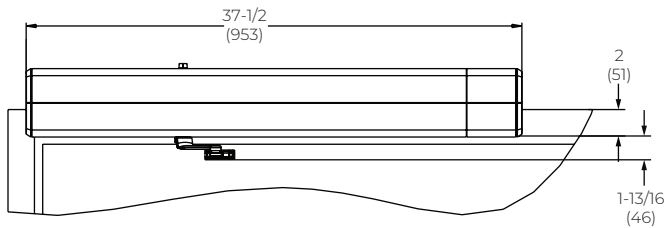
D6011-36

HINGE (PULL) SIDE OF DOOR
PAIR OF DOORS

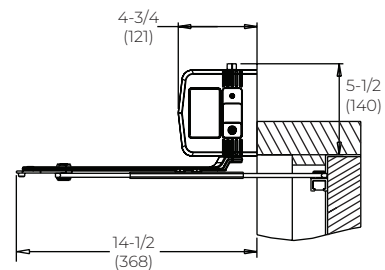
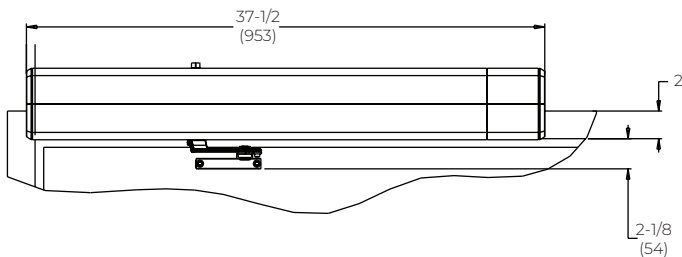



6031

STOP (PUSH) SIDE OF DOOR
STANDARD-DUTY DOUBLE LEVER ARM


6061

STOP (PUSH) SIDE OF DOOR
HEAVY-DUTY DOUBLE LEVER ARM

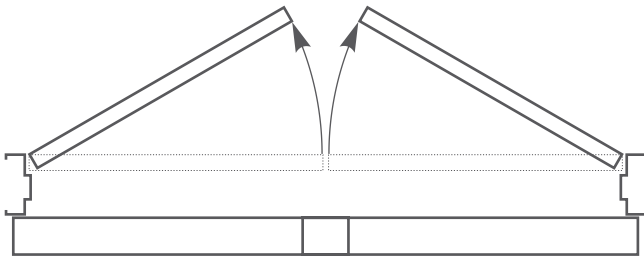


6000 SERIES

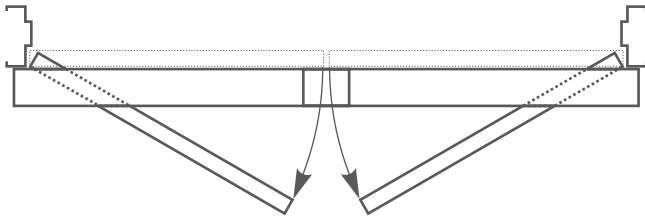
LOW ENERGY POWER OPERATORS

MODEL	MOUNTING			ARMS			
	Pull Side	Push Side	Double Egress	Rigid Arm & Slide Track	Double Egress & Slide Track	Standard-Duty Double Lever	Heavy-Duty Double Lever
6011, D6011	•			•			
6051, D6051	•				•		
6021, D6021		•				•	
6031, D6031		•				•	
6061, D6061		•					•
6071, D6071		•					•
D6001DE			•		•		•
D6001DE1			•		•		•
D6001DE2			•		•		•

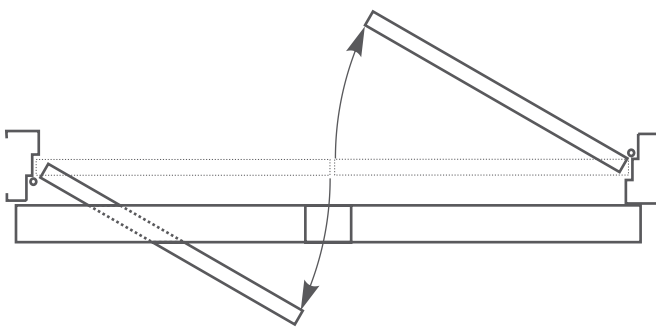
For application assistance, Norton Rixson offers complete services from specifying product to engineering a door system which includes riser and wiring diagrams. Consult Norton Rixson Technical Product Support for additional information.

DOOR OPENING EXAMPLES

D6021/D6031/D6061/D6071 Series

Operator mounted on push side
left hand/right hand outswing doors


D6011/D6051 Series

Operator mounted on pull side
left hand/right hand inswing doors


D6001DER (Right Hand)
D6001DEL (Left Hand)

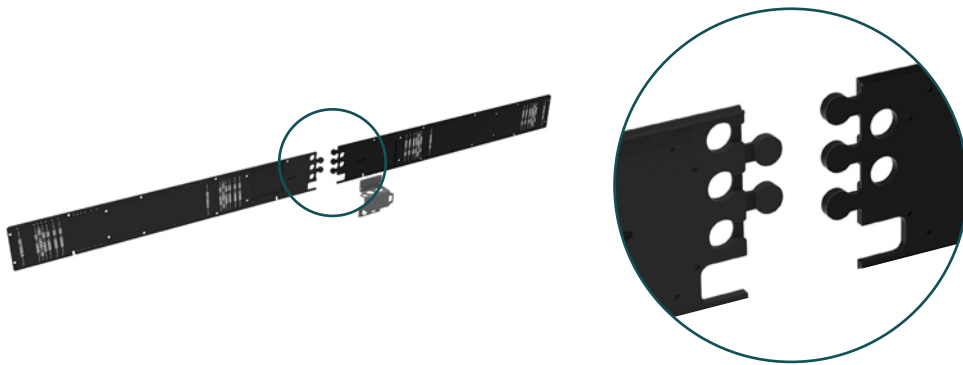
Right or left hand double egress doors
(right hand doors illustrated)

6000 SERIES

LOW ENERGY POWER OPERATORS

OPERATOR DETAILS

Heavy Duty Back Plates (Double Door Shown)



Back plates interlock and attach with a conduit assembly to provide strength and durability

Cover Union - Double and Single Doors



The 3-position switch (ON/OFF/HOLD OPEN) is easily accessible via a “door” on the cover union. The door is located in the middle for double doors and on the end for single doors.

End Cap



If needed, spring adjustment is accessible through the door on the end cap. Door can be “locked” with a screw for security.

TECHNICAL INFORMATION

SINGLE AND DOUBLE DOORS					
Models	Minimum Frame Height	Minimum Top Rail (Door)	Minimum Door Width	Door Opening	Frame Reveal
6011, D6011	2" (51mm)	1-3/4" (44mm)	36"	85° to 110° (5° increments)	1/8" (3mm)
6051, D6051		2-3/8" (60mm)			1/8" to 3" (3 - 76mm)
6021, D6021	1-1/2" (38mm)	1-7/8" (48mm)		Up to 110°	2-3/4" to 6-7/8" (70 - 175mm)
6031, D6031				From 110° to 180°	
6061, D6061		2-3/16" (56mm)		85° to 110° (5° increments)	2-1/4" to 4-3/4" * (57 - 121mm)
6071, D6071					4-13/16" to 7-3/8" (122 to 187mm)
DOUBLE EGRESS APPLICATIONS					
Models	Minimum Frame Height	Minimum Top Rail (Door)	Minimum Door Width	Door Opening	Frame Reveal
D6001DE	2" (51mm)	2-3/8" (60mm)	36"	Up to 110°	2-1/4" to 3" (57-76mm)
D6001DE1					3-1/16" to 4-3/4" (77-121mm)
D6001DE2					4-13/16" to 7" (122-178mm)

NOTES:

- Auxiliary stops are recommended for the models 6011, 6051, D6011, D6051 and D6001DE pull side and required for models 6021, 6031, D6021 and D6031.
- Models 6061, 6071, D6061, D6071 and D6001DE push side have a spring buffered stop in the arm shoe assembly. Models 6011, 6051, D6011, D6051 and D6001DE pull side have a buffered stop assembly in the slide track.
- Drop applications are needed if the required ceiling clearance is less than 5". Available for models 6021, 6031, 6061, 6071, D6021, D6031, D6061 and D6071. Suffix D to model number when ordering.

*Reveals less than 2-1/4" (57mm) may be achieved by field cutting the adjusting rod.

COVER DIMENSIONS



Single & Double Covers:

Projection: 4-3/4" (121mm)

Height: 5-3/16" (132mm)

Overall Lengths:

Single: 37-1/2" (95.3cm)

Double 36: 74-1/4" (188.6cm)

Double 38: 78-1/4" (198.8cm)

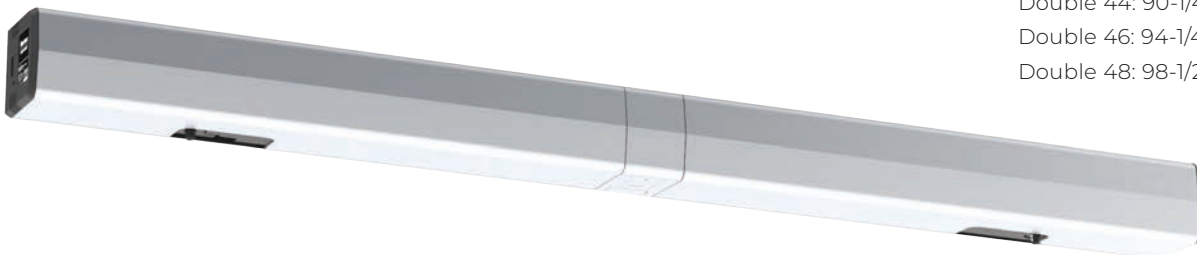
Double 40: 82-1/4" (209.8cm)

Double 42: 86-1/4" (219.1cm)

Double 44: 90-1/4" (229.2cm)

Double 46: 94-1/4" (239.4cm)

Double 48: 98-1/2" (249.6cm)



6000 SERIES

LOW ENERGY POWER OPERATORS

PARTS LIST

Arm and Track Assemblies



- 6610-1** Arm and Track Assembly
- 7210-1A** Arm Assembly
- 7200-1T** Track Assembly



- 6660-1** Arm Assembly
- 6660-11** Rod & Snubber Assembly



- 6020-1** Arm Assembly
- 6020-1W** Main Arm & Rod
- 6620-12** Adjusting Tube & Shoe



- 6670-1** Arm Assembly
- 6670-11** Rod & Snubber Assembly



- 6030-1** Arm Assembly
- 6030-1W** Main Arm & Rod
- 6620-12** Adjusting Tube & Shoe



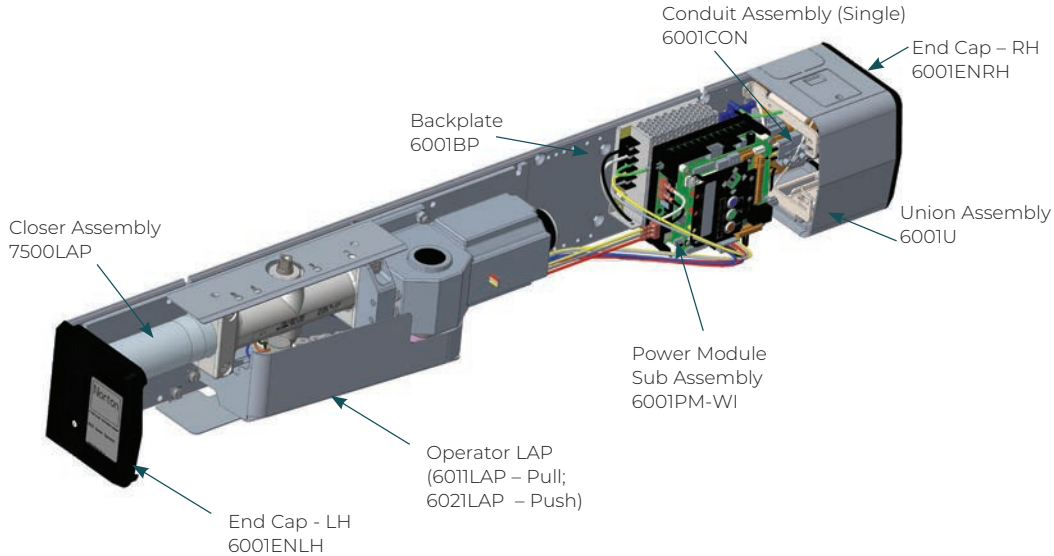
- 6061-1** Unitrol® Arm Assembly
- 6660-11** Rod & Snubber Assembly
- 6071-1** Unitrol Arm Assembly - Deep Reveal
- 6670-11** Rod & Snubber Assembly



Left hand shown

- 6050-1L** Arm and Track Assembly (LH)
- 6050-1R** Arm and Track Assembly (RH)
- 6051-1L** Arm and Track Assembly - Deep Reveal (LH)
- 6051-1R** Arm and Track Assembly - Deep Reveal (RH)
- 6051-11L** Arm Assembly - Deep Reveal (LH)
- 6051-11R** Arm Assembly - Deep Reveal (RH)
- 7250-1L** Arm Assembly (LH)
- 7250-1R** Arm Assembly (RH)
- 7200-1T** Track Assembly

MODEL	USES
6011	6610-1 Arm & Track Assembly
6021	6020-1 Arm Assembly
6031	6030-1 Arm Assembly
6051	6050-1L/R Arm & Track Assembly
6061	6660-1 Arm Assembly
6071	6670-1 Arm Assembly
D6001DE	6061-1 Unitrol Arm Assembly and 6050-1L/R Arm & Track Assembly
D6001DE1	6061-1 Unitrol Arm Assembly and 6051-1L/R Arm & Track Assembly - Deep Reveal
D6001DE2	6071-1 Unitrol Arm Assembly - Deep Reveal and 6051-1L/R Arm and Track Assembly - Deep Reveal

PARTS LIST - SINGLE UNIT SHOWN

COVERS, BACK PLATES

PART NUMBER	DESCRIPTION
6001COV	Cover - Single
D6001COV-36	Cover - Double 36"
D6001COV-38	Cover - Double 38"
D6001COV-40	Cover - Double 40"
D6001COV-42	Cover - Double 42"
D6001COV-44	Cover - Double 44"
D6001COV-46	Cover - Double 46"
D6001COV-48	Cover - Double 48"
6001BP	Back Plate - Single
D6001BP-36-LH	Back Plate - Double 36" - Left Hand
D6001BP-36-RH	Back Plate - Double 36" - Right Hand
D6001BP-38-LH	Back Plate - Double 38" - Left Hand
D6001BP-38-RH	Back Plate - Double 38" - Right Hand
D6001BP-40-LH	Back Plate - Double 40" - Left Hand
D6001BP-40-RH	Back Plate - Double 40" - Right Hand
D6001BP-42-LH	Back Plate - Double 42" - Left Hand
D6001BP-42-RH	Back Plate - Double 42" - Right Hand
D6001BP-44-LH	Back Plate - Double 44" - Left Hand
D6001BP-44-RH	Back Plate - Double 44" - Right Hand
D6001BP-46-LH	Back Plate - Double 46" - Left Hand
D6001BP-46-RH	Back Plate - Double 46" - Right Hand
D6001BP-48-LH	Back Plate - Double 48" - Left Hand
D6001BP-48-RH	Back Plate - Double 48" - Right Hand

UNIT SUB-ASSEMBLY

PART NUMBER	DESCRIPTION
6011LAP*	6011, 6051 Unit Sub-Assembly
6021LAP*	6021, 6031, 6061, 6071 Unit Sub-Assembly

*Part Numbers may differ based on legacy models. Contact Norton Rixson Technical Product Support to verify for accuracy based on unit on hand.
Note: back plates are only available in black finish.

6000 SERIES

LOW ENERGY POWER OPERATORS

DROP ANGLE, TRANSOM BRACKETS*

PART NUMBER	DESCRIPTION
6001DAB	Drop Angle Bracket - Single 36"
6001DAB2	Drop Angle Bracket - Single 38" and up
D6001DAB-36	Push Drop Angle Bracket - Double 36"
D6001DAB-38	Push Drop Angle Bracket - Double 38"
D6001DAB-40	Push Drop Angle Bracket - Double 40"
D6001DAB-42	Push Drop Angle Bracket - Double 42"
D6001DAB-44	Push Drop Angle Bracket - Double 44"
D6001DAB-46	Push Drop Angle Bracket - Double 46"
D6001DAB-48	Push Drop Angle Bracket - Double 48"
6011TAB-1	Pull Transom Single 36"
6011TAB-2	Pull Transom Single 38" and up
D6011TAB-36	Pull Transom Double 36"
D6011TAB-38	Pull Transom Double 38"
D6011TAB-40	Pull Transom Double 40"
D6011TAB-42	Pull Transom Double 42"
D6011TAB-44	Pull Transom Double 44"
D6011TAB-46	Pull Transom Double 46"
D6011TAB-48	Pull Transom Double 48"
6021TAB-1	Push Transom Single 36"
6021TAB-2	Push Transom Single 38" and up
D6021TAB-36	Push Transom Double 36"
D6021TAB-38	Push Transom Double 38"
D6021TAB-40	Push Transom Double 40"
D6021TAB-42	Push Transom Double 42"
D6021TAB-44	Push Transom Double 44"
D6021TAB-46	Push Transom Double 46"
D6021TAB-48	Push Transom Double 48"

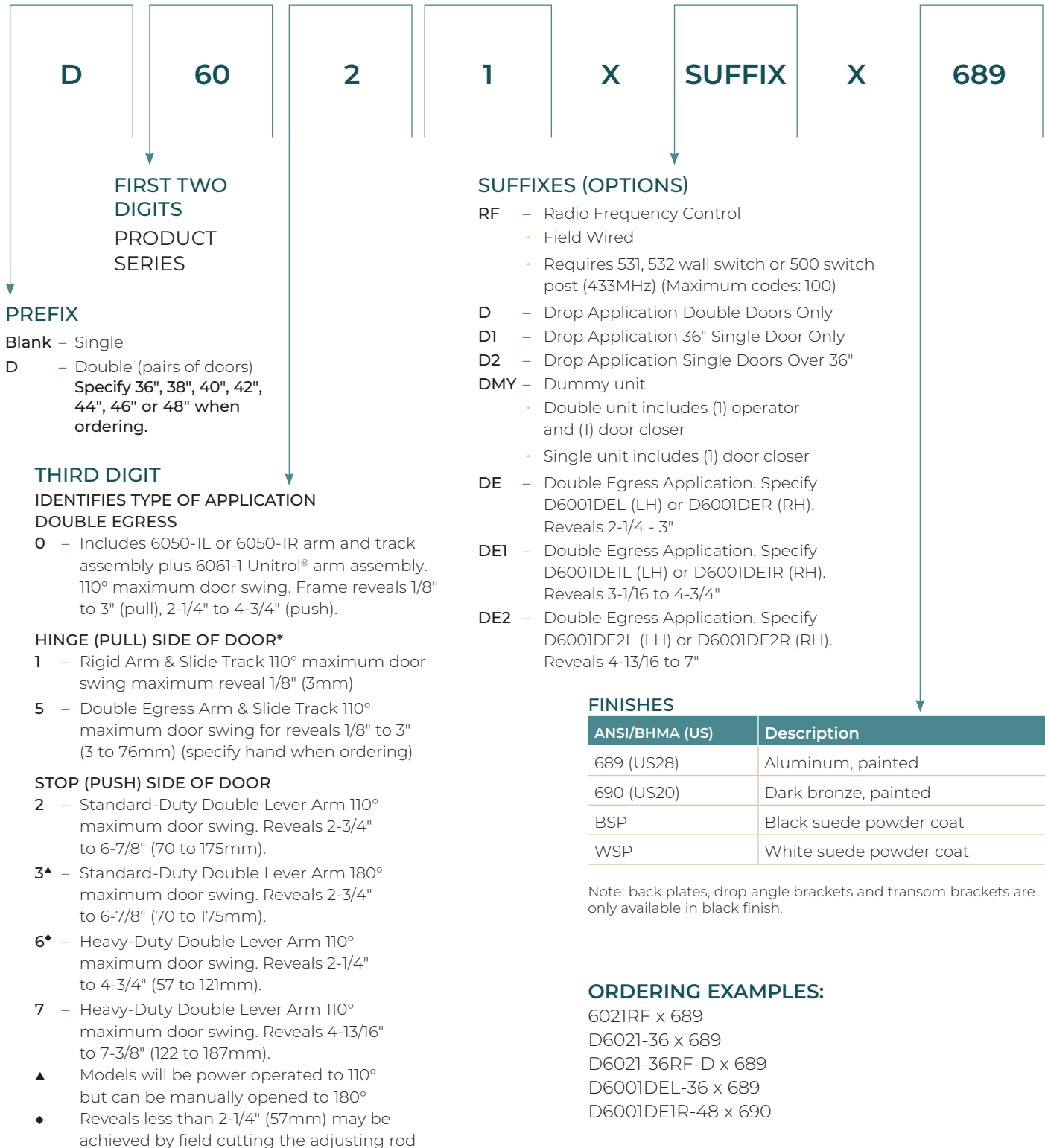
MISCELLANEOUS PARTS

PART NUMBER	DESCRIPTION
6001PM-WI	Power Module Sub Assembly
6001U	Union Assembly - Single
D6001U	Union Assembly - Double
6001US	Union Spacer
6001SK	Shim Kit [^]
5700SW	On/Off Switch
6000CB	Circuit Breaker
6001MS	Motor Support
6001SC-1	Screw Pack - Back Plate
6001SC-2	Screw Pack - Standard
D6001SYNC	Sync Cable
D6001CON	Conduit Assembly (Double)
6000IN-WI	Inverter

[^] Shim kit supplied standard. Kit includes (6) 1/16", (6) 1/8", and (12) 1/4" shims.

* Drop angle and transom brackets are shipped as 1 ea. When ordering these for double door applications, specify quantity as 2.

Note: drop angle brackets and transom brackets are only available in black finish.

HOW TO ORDER


*Consult Technical Support Department when door is hung on offset pivots

5700 SERIES

LOW ENERGY POWER OPERATORS

INTRODUCTION

A reliable ADA solution comprising Norton Rixson's heavy-duty 1601 door closer. The use of a hydraulic closer ensures quiet and consistently smooth operation, ideal in applications where doors are typically operated manually but can also be activated via wall switches for automatic operation. The 5700 offers basic automated door functions and is designed for quick set-up, making it easy to specify and install.



FEATURES

- Non-handed
- Push or pull side mounting
- Comprises heavy-duty Norton Rixson 1601 door closer
- Door widths: 28"-48"
- Optional kit includes wall switches and plug-in power cord
- Operates as mechanical surface close during close cycles, when door is opened manually or if power is off
- Spring force provides the feel of a manual door closer
- Door can be opened manually if desired
- Adjustable spring power
- Backcheck valve
- Sweep valve & latch valve
- Unit activation options:
 - Wall switches
 - Radio frequency device
- End-user on/off switch
- Adjustable door sensitivity
- Onboard power supply for accessories: 24VDC (1.1A)
- NorGlide® fluid
- 2-year limited warranty

BENEFITS

- Basic features simplify product choice
- Designed for quick installation, setup and adjustments
- Hydraulic closer offers quiet and smooth operation

PATENTS

- assaabloydss.com/patents

FUNCTIONS

- Adjustable Hold Open
 - Amount of time a door will stay in the full open position after an activation
- Obstruction Detection
 - Motor stops if door is obstructed during opening; door closes
- On/Off Switch
 - Disables operator activation
- Open Delay
 - Delays operator opening for locking hardware
- Overload Safety Shut-Off
 - After 2 minutes of receiving a door activation signal, inverter times out and door closes
 - Prevents motor/inverter damage



SPECIFICATIONS

- Door Controls ____ (interior) (exterior) swinging door(s) shall be of rack and pinion design contained within a precision cast aluminum housing.
- Door closing force shall be adjustable to ensure adequate closing control.
- Door closing speed shall be controlled by independent hydraulic adjustment valves in the sweep and latch range of the closing cycle.
- Door Operator shall provide conventional door closer opening forces unless the power operator motor is activated.
- Door Operator shall provide conventional door closing forces at all times except in the event of power outage during powered door open cycle.
- Door Operator opening force and speed shall be adjustable by independent electronic adjustment to ensure adequate opening control per accessibility codes.
- Door Operator shall have an adjustable hydraulic backcheck valve to cushion the door speed if door is opened violently.
- Door Operator shall have a manual adjustment to locate both full open and full closed door positions. Maximum door open shall be adjustable and capable to a maximum 180° conditions permitting. [(Door Operator shall be AUTOMATICALLY ACTIVATED, i.e., motion sensor.) (Door Operator shall be SELECTIVELY ACTIVATED by external initiating device, i.e., wall switch, etc.) (Door Operator shall be both AUTOMATICALLY ACTIVATED and SELECTIVELY ACTIVATED.)]
- Door operator shall have adjustable hold open time capability in range from 5 to 30 seconds.
- Door operator shall have input line rating of 120VAC, .6A or 240VAC, .3A. Units shall have relay contact for interfacing products having a contact rating of 30VDC at 1A or 125VAC at .5A.

ELECTRICAL DATA

- Power input; 120 VAC, 60Hz
- Relay output: SPDT
 - Normally open/normally closed (jumper)
 - For electric strike function

CERTIFICATIONS

- ANSI/BHMA A156.19 certified 
- Meets ANSI/BHMA A156.4 requirements
- UL / cUL listed 
- UL10C positive pressure up to 3 hours
- Manufactured in an ISO 9001 and ISO 14001 certified facility
- Complies with requirements for the Americans with Disabilities Act (A.D.A)

- Unit shall have an external On/Off Switch to defeat powered opening when desired. Unit shall have an internal circuit breaker switch to interrupt input power for servicing.
- Unit shall be U.L. Listed for automatic closing door.
- Unit shall be in compliance with the requirements of the Americans With Disabilities Act (ADA), ANSI standards A117.1 and A156.19.
- Unit shall meet UL-cUL requirements.

ADDITIONAL DETAILED SPECIFICATIONS:

- When activated, the unit shall, by means of an integral motor and chain drive, power open the door at both a speed and force that are adjustable to meet accessibility codes.
- The door shall be powered from a door closed position to a full door open position and remain in momentary hold open for ____seconds (adjustable 0 to 30 seconds) [(Unit shall power open door to full open position up to 180° (5710); 170° (5730), conditions permitting.) (Unit shall be capable of allowing the door to be opened manually from 0 to 180°, conditions permitting.)]
- Once unit reaches full hold open position, if reinitiated, unit's momentary hold open time shall restart from the initially set hold open time. If unit is initiated during the closing cycle, unit shall revert to opening cycle beginning at that door position.
- Obstruction detection on open shall neutralize and reverse motor action reverting motor to closed position thus allowing door to close under closer spring force only. This obstruction detection feature shall be integral to unit.
- During closing cycle, the unit shall close door under spring power not to exceed a closing force of 15 lbf.

5700 SERIES

LOW ENERGY POWER OPERATORS

APPLICATIONS



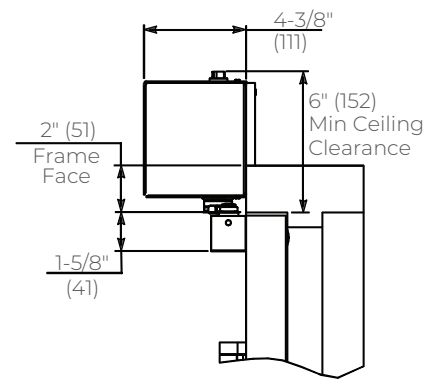
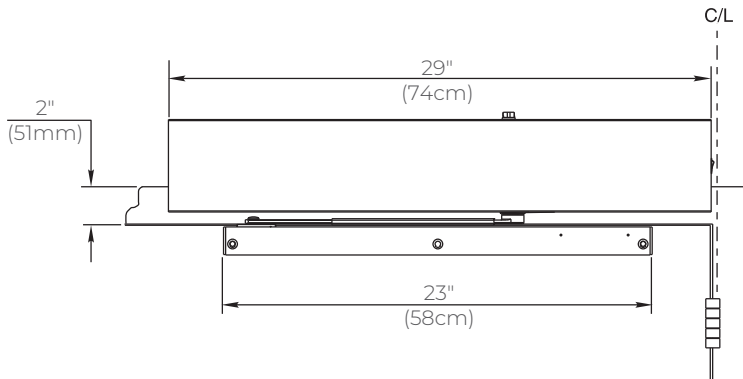
5710

HINGE (PULL) SIDE OF DOOR

- Adjustable Stop
- 110° swing (trim permitting)

Minimum Door width
 Single Door – 29" (74cm)
 Pair of Doors – 30" (76cm)

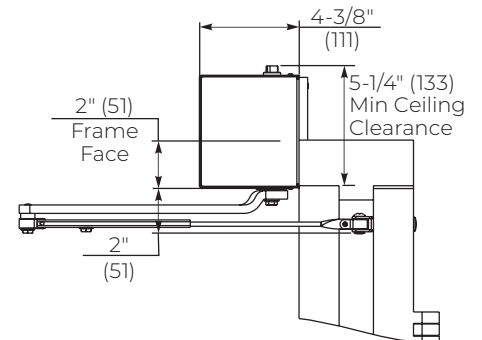
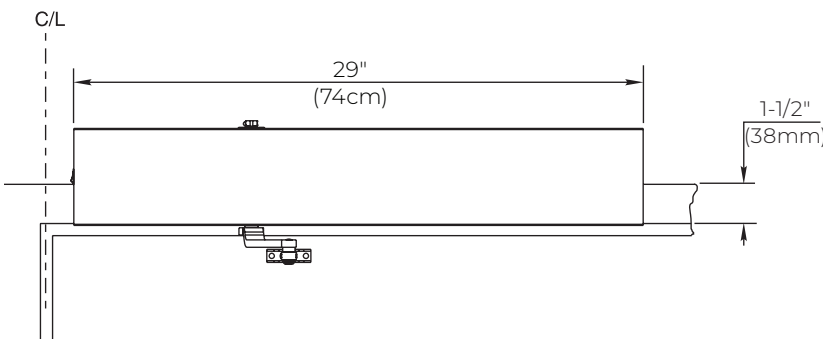
An auxiliary stop is suggested where severe conditions exist.



5730

STOP (PUSH) SIDE OF DOOR Standard Duty Double Lever Arm

- Frame reveals 2-5/8" to 6-3/4" (67-171mm)
- An auxiliary door stop is required for these applications.
- 170° swing (trim permitting)



5700 KITS

UNIVERSAL KITS



5740

Kit Includes:

- Operator
- Cover
- Push and Pull Arms

HANDS-FREE KITS



5740K2

Kit Includes:

- Operator
- Cover
- Push and Pull Arms
- (2) 700 Wave-to-Open Switches
- 5700PC Power Cord

ADA KITS



5740K3

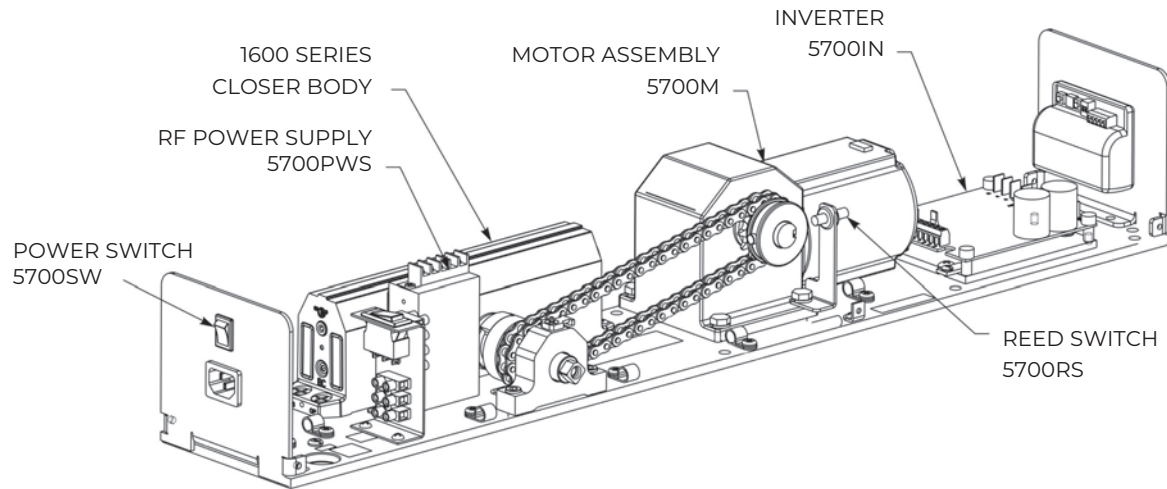
Kit Includes:

- Operator
- Cover
- Push and Pull Arms
- (2) ADA1019-1 Wall Switches
- (2) 548 Transmitters
- 539 Receiver
- 5700PC Power Cord

5700 SERIES

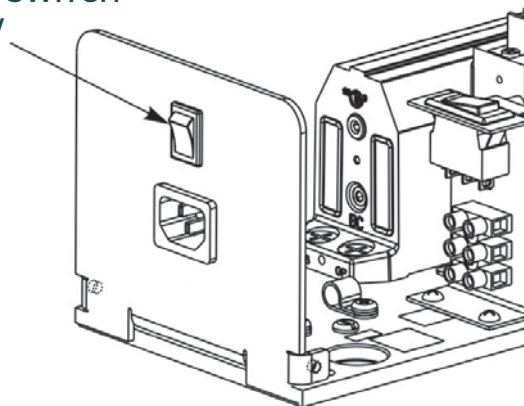
LOW ENERGY POWER OPERATORS

PARTS LIST



PART #	DESCRIPTION
5700COV	Cover

POWER SWITCH 5700SW



POWER CORD 5700PC



(125V / 10A RATED 18AWG 18 INCHES MAX., NEMA 5-15P AND IEC320-C13 CONNECTORS CORD MUST BE UL LISTED.)

POWER CORD INPUT

Factory prepped and installed receptacle

NOTE: Consult local authority having jurisdiction to confirm use of power cord is acceptable. Operator must be furnished with the power cord from the factory. Power cords cannot be added to operators in the field. Maximum distance from operator to receptacle is 15".

ARM AND TRACK ASSEMBLIES



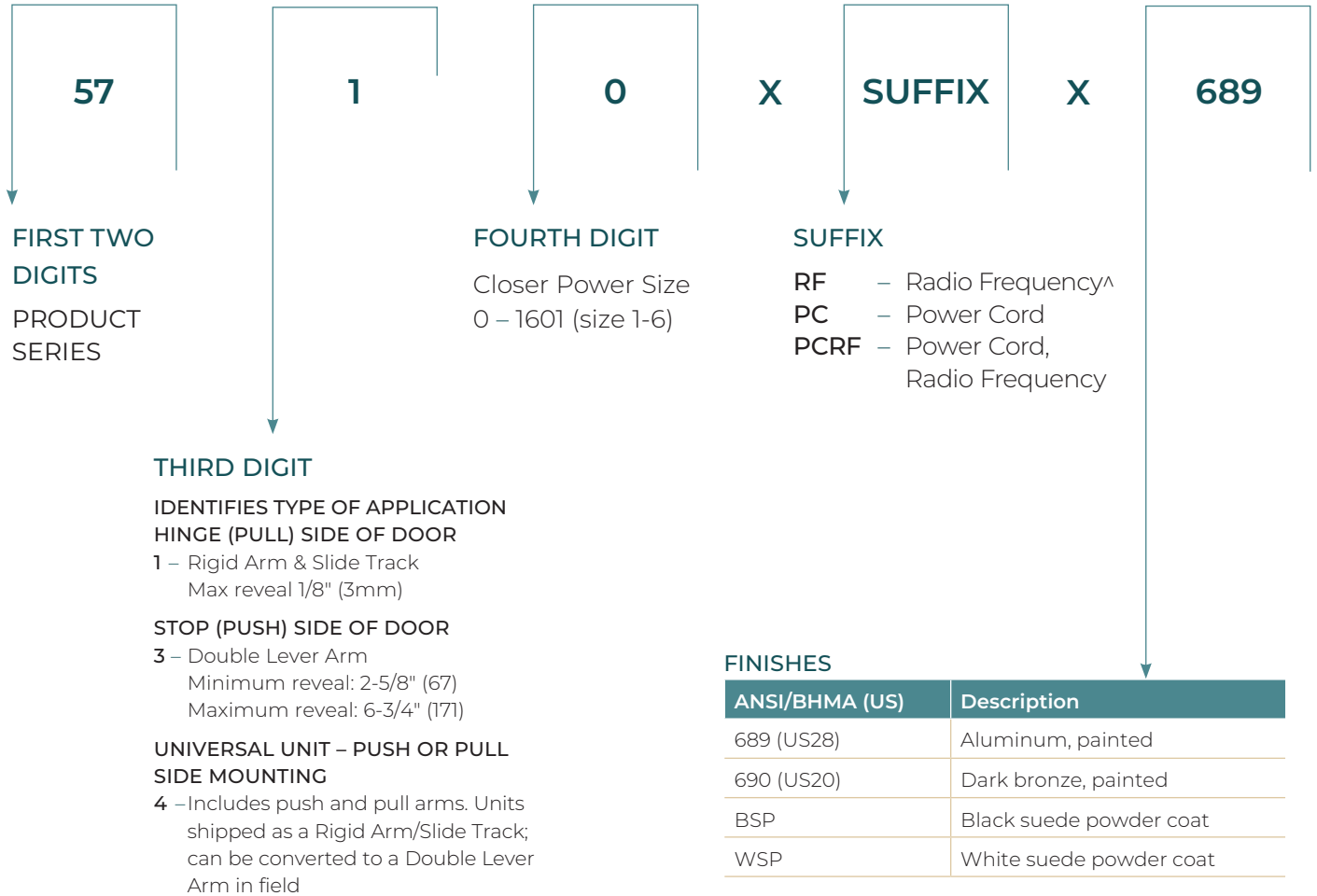
- 5710-1** Arm and Track Assembly
- 7701ST-1A** Arm Assembly
- 7200-1T** Track Assembly

- 7701-1A** Arm Assembly
- 7701-1W** Main Arm & Rod
- 7701-11A** Adjusting Tube & Shoe

5700 SERIES

LOW ENERGY POWER OPERATORS

HOW TO ORDER



[^] Actuators not supplied with RF.
See page 19 for Kits.

INTRODUCTION

A reliable ADA solution comprising Norton Rixson's heavy-duty 1601 door closer. The use of a hydraulic closer ensures quiet and consistently smooth operation, ideal in applications where doors are typically operated manually but can also be activated via wall switches for automatic operation. The 5500 offers basic automated door functions and is designed for quick set-up, making it easy to specify and install.



FEATURES

- Non-handed
- Push or pull side mounting
- Maximum door weight: 250 lbs
- Obstruction detection
- Backcheck standard
- Use with wall switch actuation devices
- Integration with access control systems
- NorGlide® fluid
- 2 year limited warranty

CERTIFICATIONS

- ANSI/BHMA A156.19 certified
- Meets ANSI/BHMA A156.4 requirements
- UL / cUL listed
- UL10C positive pressure up to 3 hours
- Manufactured in an ISO 9001 and ISO 14001 certified facility
- Complies with requirements for the Americans with Disabilities Act (A.D.A)

BENEFITS

- Cost effective automatic door operator
- Compliant solution for stringent ADA requirements
- New smaller footprint for minimal aesthetics and tighter spaces
- Comprises hydraulic closer to ensure quiet function and smooth operation when opened manually
- One of the only fire rated, hydraulic operators available
- Easy, one-person installation with parts packaged pre-installed on backplate

PATENTS

- assaabloydss.com/patents

5500 SERIES

LOW ENERGY POWER OPERATORS

APPLICATIONS

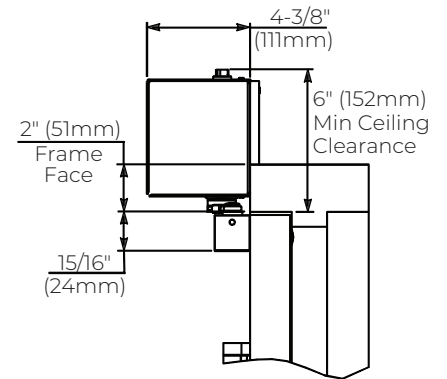
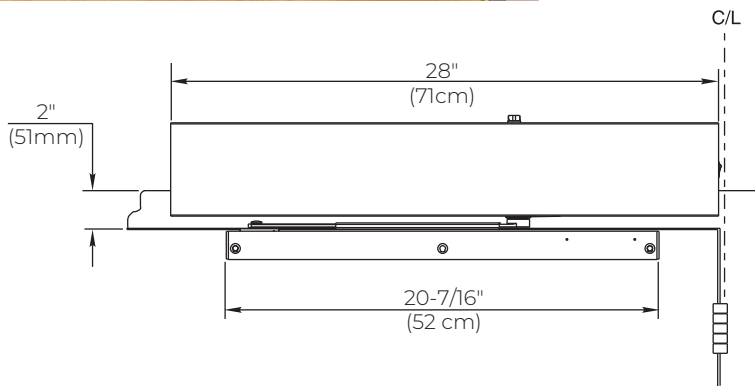


5511 HINGE (PULL) SIDE OF DOOR

- Adjustable Stop
- 110° swing (trim permitting)

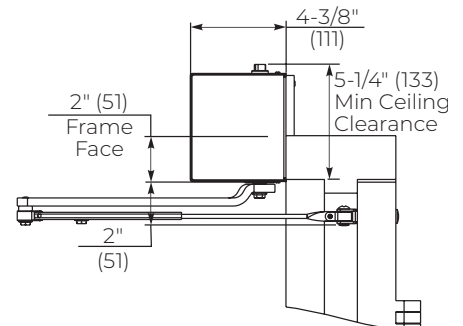
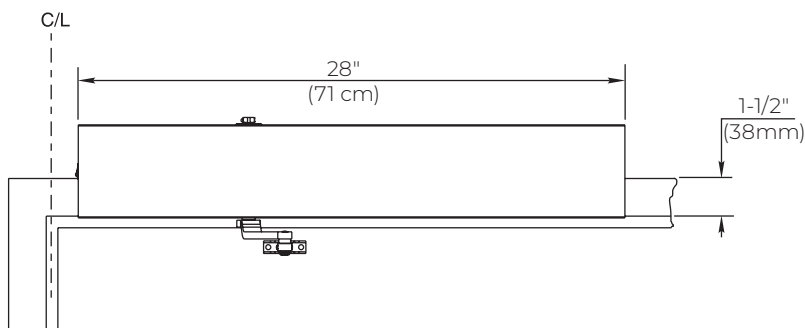
Minimum Door width
Single Door – 29" (74cm)
Pair of Doors – 30" (76cm)

An auxiliary stop is suggested where severe conditions exist.

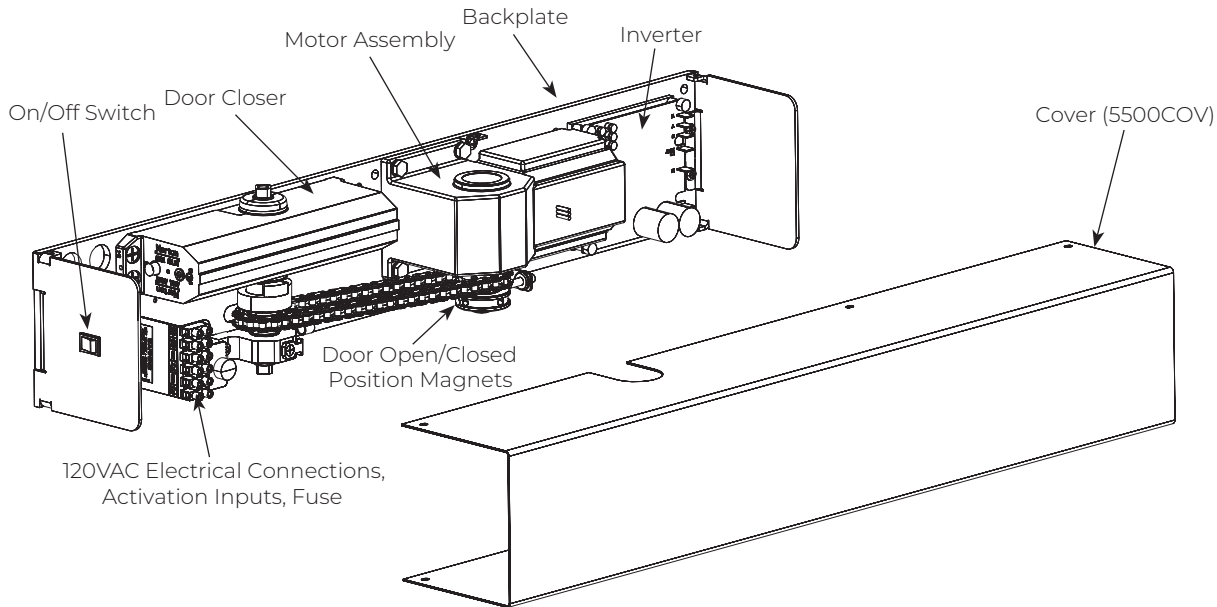


5531 STOP (PUSH) SIDE OF DOOR Standard Duty Double Lever Arm

- Frame reveals 2-5/8" to 6-3/4" (67-171mm)
- An auxiliary door stop is required for these applications
- 170° swing (trim permitting)



PARTS LIST



OPTIONAL

MODEL	DESCRIPTION
5500PWR	Power Supply

5500 SERIES

LOW ENERGY POWER OPERATORS

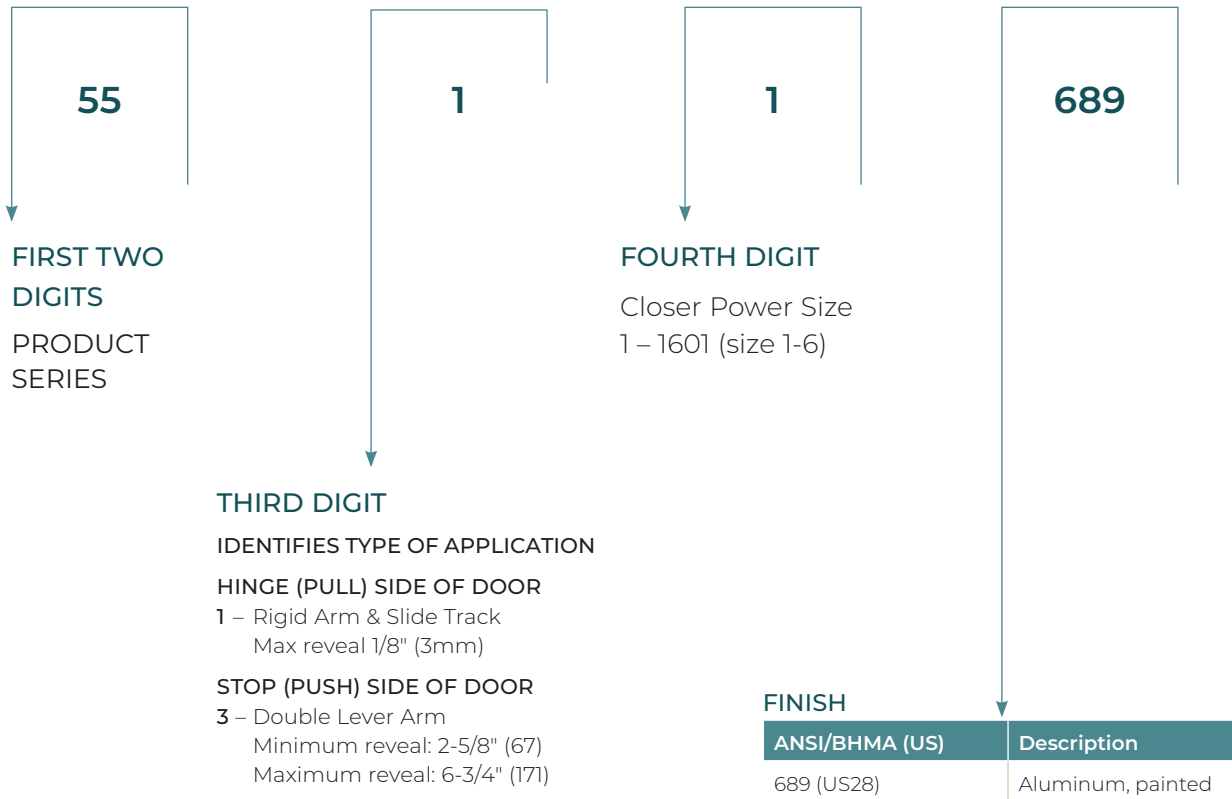
ARM AND TRACK ASSEMBLIES



7110-1A Arm Assembly
7100-1T Track Assembly



7701-1A Arm Assembly
7701-1W Main Arm & Rod
7701-11A Adjusting Tube & Shoe

HOW TO ORDER


6300 SERIES

LOW ENERGY POWER OPERATORS

INTRODUCTION

The Norton Rixson 6300 Series Low Energy Operator offers a broad set of intelligent functions, such as power close, latch assist and obstruction detection to safely secure a variety of moderate to high traffic openings.

A unique design with one of the slimmest profiles available allows the 6300 to blend more seamlessly with the frame while fitting challenging applications with minimal header space. A modular design, simple controls, and new WiFi interface via a mobile device make for easy installation and setup.



FEATURES

- Push and pull side mounting
- Non-handed
- Activated by wall switch, hands-free and RF devices
- Door size: min width 36", max width 48", max weight 250 lbs.
- Aesthetically pleasing, slim profile
- Modular design
- Adjustable opening force
- Adjustable closing power
- LCD screen
- WiFi Interface*
- 2 year limited warranty



SUPERIOR USER EXPERIENCE

- Operator is a secure, password protected WiFi hot spot - no connection to building's IT required
- Simple setup; no app required
- View status and make adjustments without removing cover
- Built-in logic to support single use restroom applications - no external relay boards, logic modules, position switches required

SHARED PLATFORM

- Mix and match 6300, 6200 and 5200 Series throughout facility to maximize value to customer
- Shared aesthetics with 6300 and 6200 Series
- Modular installation - one-person install
- Easy set up and adjustments header space

* No connection to building's WiFi is required

FUNCTIONS

- Adjustable Hold Open
 - Amount of time a door will stay in the full open position after an activation
- Blow Open for Smoke Ventilation
 - Door opens when signal is received from alarm system allowing air or smoke to flow through opening
 - Door will stay open until signal from alarm system is stopped
- Emergency Interface Relay (fire panel input)
 - Door closes and ignores any activation input until signal is discontinued
- Infinite Hold Open
 - Door will hold open at set position until power is turned off
- Latch Assist
 - At closed position, after an activation, the door is pulled in
 - After the door has closed, the door is pulled in to assist with latch release engagement
- Obstruction Detection
 - Open: door closes if it hits an obstruction while opening
 - Close: door will reverse to open position if it hits an obstruction while closing
 - Close (Selectable - stop on stall): door will stop once it hits an obstruction and will rest against the obstruction until removed
- Open Delay
 - Delays operator opening for locking hardware
- Outside Wall Switch Disable
 - When contact is closed, outside wall switch is disabled
- Power Assist
 - Senses the door is being opened manually and applies small amount of power to assist user in opening the door with force less than 5 lbs.
 - Door opens only as far as it is moved manually, then closes once released
- Power Close
 - Additional force to assist door closing between 7° and 2°
- Presence Detector Input
 - Input for external sensor to detect presence at door open or close position only
- Push & Go
 - As the door is manually opened, the operator “senses” movement and opens door to the full-open – position
- Selector Mode Switch
 - Off - Disables signal inputs unless Blow Open is activated
 - On - Activates signal inputs
 - Hold Open - Activates the unit (unless blow closed is activated on 6300) to the hold open position
- Vestibule Delay
 - When the wall switch is pressed, first door in vestibule will open. Second door will open once vestibule door delay has expired. Delay is adjustable.

6300 SERIES

LOW ENERGY POWER OPERATORS

ELECTRICAL DATA

- Power input 120 VAC, 3A, 60Hz
- Current draw 1.5A
- Power output 24VDC @ 1.3A max draw (less accessories)


PATENTS

- assaabloydss.com/patents

SPECIFICATIONS

- Door Control (interior) (exterior) closing force shall be adjustable to ensure adequate closing control.
- Door Operator shall simulate conventional door closer opening and closing forces unless the power operator motor is activated.
- Door Operator shall have electronic backcheck to cushion the door speed if door is opened violently. [(Door Operator shall be AUTOMATICALLY ACTIVATED by either a slight push or pull in the direction of opening swing - Push & Go.) (Door Operator shall be SELECTIVELY ACTIVATED by external initiating device, i.e. wall switch, etc.) (Door Operator shall be both AUTOMATICALLY ACTIVATED and SELECTIVELY ACTIVATED.)]
- Operator shall have selectable latch boost to provide additional closing force to overcome conditions that may prevent door from latching.
- Unit shall have delay switches for motor activation, electric lock interfacing, and hold open time.

CERTIFICATIONS

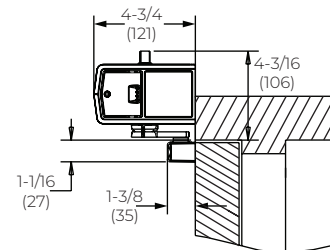
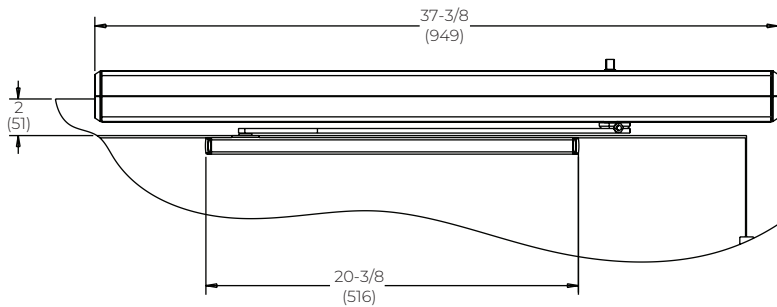
- ANSI/BHMA A156.19 certified 
- UL325/991 certified
- UL10C positive pressure up to 3 hours
- Complies with requirements for the Americans with Disabilities Act (A.D.A)
- Manufactured in an ISO 9001 and ISO 14001 certified facility

- Units shall interface with latch retraction exit devices or similar products and have 24VDC @ 1.3A maximum (less accessories) output for connection of electric strike, lock, radio frequency receiver, etc.
- Unit shall have a three-position Selector Mode Switch that will permit the unit to be switched "ON" to monitor for function inputs, switch to "H/O" for infinite hold open function or switched "OFF" which will disable function inputs allowing unit to be used as a manual door closer.
- Unit shall be U.L. Listed for automatic closing door.
- The Unit shall be adjustable to provide compliance with the requirements of the Americans with Disabilities Act (ADA). Unit shall be certified by BHMA to meet A156.19 requirements.
- Unit shall meet UL325/991, UL10C standards.

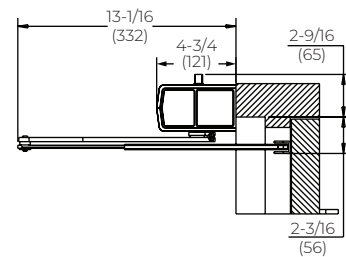
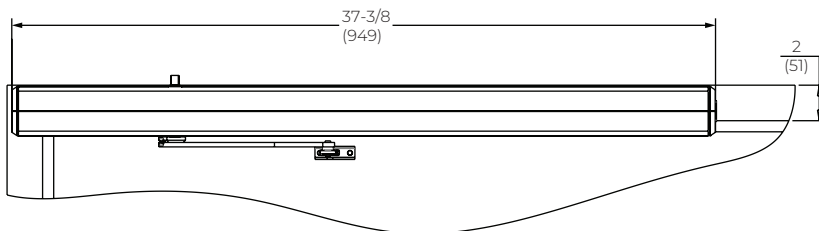
APPLICATIONS

6311

HINGE (PULL) SIDE OF DOOR
RIGID ARM AND SLIDE TRACK


6331

STOP (PUSH) SIDE OF DOOR
STANDARD-DUTY DOUBLE LEVER ARM

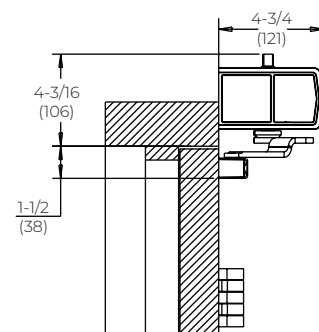
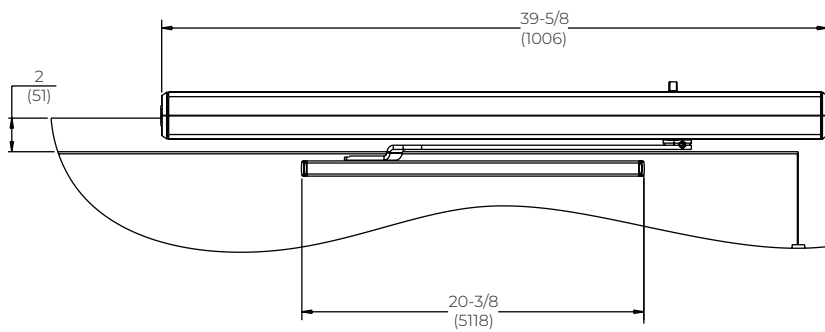


6300 SERIES

LOW ENERGY POWER OPERATORS



6352
DOUBLE EGRESS ARM (PULL)
SIDE OF DOOR



6341, 6342 - UNIVERSAL UNITS

INCLUDE:

- Operator
- Cover
- Push and pull arms



operator



push arm (6330-1)



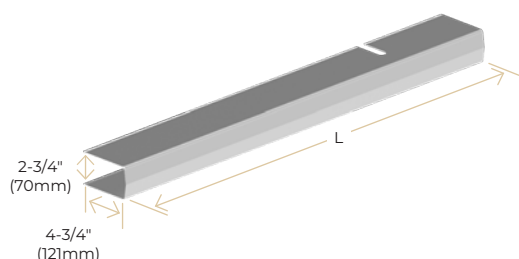
pull arm (6310-1)

6300 SERIES

LOW ENERGY POWER OPERATORS

PRODUCT COMPARISON

Model	Mounting		Arms			Overall Length (L)	Compatible with 585 Presence Detector	Cover spans full frame (36" door only)	Can be used on a pair of 36" doors	
	Pull Side	Push Side	Rigid Arm & Slide Track	Double Lever	Double Egress					
6311	.		.			37-3/8"	Yes	No	Yes	
6331		.		.						
6341						
6351	.				.					
6312	.		.			39-5/8"		Yes	Yes	No
6332		.		.						
6342						
6352	.				.					



TECHNICAL INFORMATION

Model	Door Opening	Reveal Range	Minimum Top Rail	Minimum Ceiling Clearance*	Frame Width	Door Width	Door Weight
6311 6312	Up to 180°	1/8"	1-1/8"	2-1/4" standard; 1-1/2" with field modification [^]	Minimum 2"	Minimum 36" Maximum 48"	250 lbs
6331 6332	110° to 135° (depending on reveal)	1/8" to 6-3/4"	2-1/4"	5/8" standard; 0" with field modification [^]			
6341 6342	Refer to 6311/6312 or 6331/6332 information						
6351 6352	Up to 130°	1/8" to 2-3/4"	1-1/2"	2-1/4" standard; 1-1/2" with field modification [^]			

*Based on units mounted on 2" frame
[^]Consult factory

NOTES:

- For additional information, the 6300 Series Instruction Manual is available online.

6300 KITS

Hands-Free Kits



6341K2 (37-3/8")

6342K2 (39-5/8")

Kit includes:

- Operator
- Cover
- Push and Pull Arms
- (2) 700 Wave-to-Open Switches

ADA Kits



6341K3 (37-3/8")

6342K3 (39-5/8")

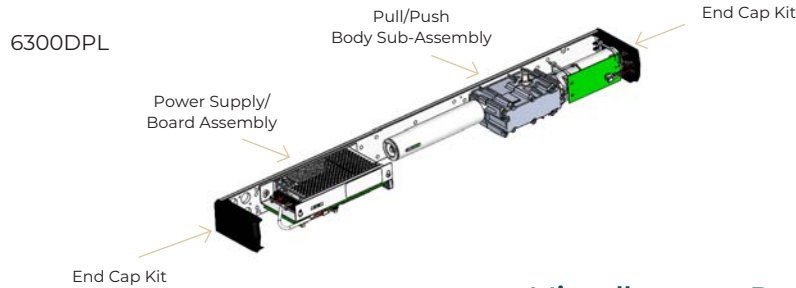
Kit includes:

- Operator
- Cover
- Push and Pull Arms
- (2) ADA1019-2 Switches
- (2) 548 Transmitters
- 539 Receiver

6300 SERIES

LOW ENERGY POWER OPERATORS

PARTS LIST



Parts

Part Number	Description	For Models
6300LAP	Pull/Push Body Sub-Assembly	All models
6300CM	Power Supply / Board Assembly	All models
6300CAB2	Cable Kit	All models
6300COV	39-5/8" Cover	6312, 6332, 6342, 6352
6300COV2	37-3-8" Cover	6311, 6331, 6341, 6351
6300DPL	39-5/8" Cover Plate	6312, 6332, 6342, 6352
6300DPS	37-3/8" Cover Plate	6311, 6331, 6341, 6351

Miscellaneous Parts

Part Number	Description	For Models
6300END	End Cap Kit (included both end caps)	All models
6300SP	Screw Pack	All models

ARM AND TRACK ASSEMBLIES



- 6310-1** Arm and Track Assembly
- 6310-1W** Arm Assembly
- 7100-1T** Track Assembly



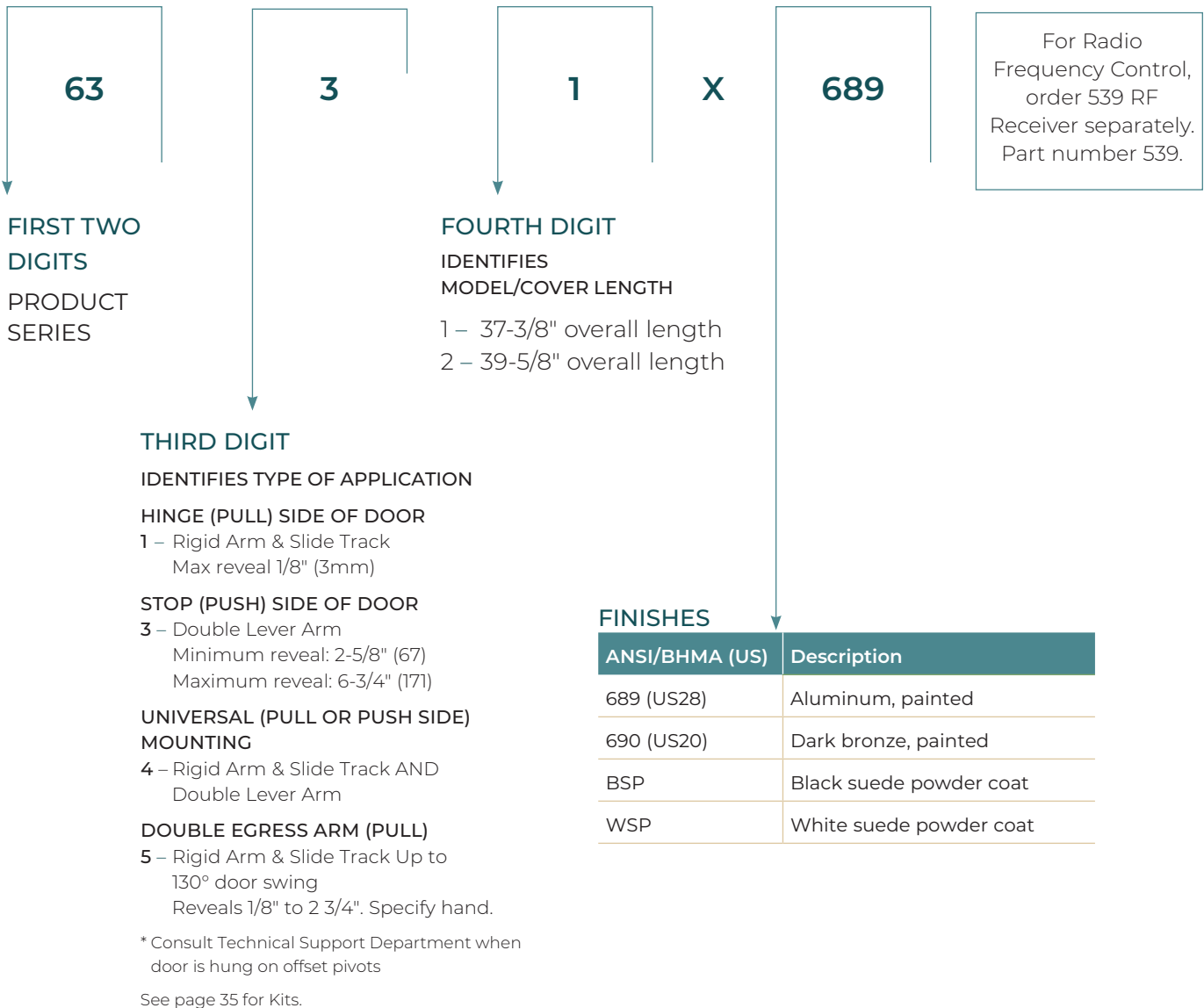
- 6330-1** Arm Assembly
- 6330-1W** Main Arm & Rod
- 6620-12** Adjusting Tube & Shoe



- 6350-1L** Arm and Track Assembly (LH)
- 6350-1R** Arm and Track Assembly (RH)
- 6350-1LW** Arm Assembly (LH)
- 6350-1RW** Arm Assembly (RH)
- 7100-1T** Track Assembly

HOW TO ORDER

Note: All transmitters (wall switches or key fob) must be ordered separately.



6200 SERIES

LOW ENERGY POWER OPERATORS

INTRODUCTION

The Norton Rixson 6200 Series is a cost effective electromechanical low energy operator offering intelligent functions, such as power close, latch assist and obstruction detection. Specifically designed for high traffic applications requiring a narrow profile to blend more seamlessly with the frame while fitting challenging applications with minimal overhead space. Complete with electric lock interface, touchless activation support, and mobile device WiFi programming for easy installation and setup.



FEATURES

- Push and pull side mounting
- Non-handed
- Activated by wall switch, hands-free and RF devices
- Maximum door size: 200 lbs. at 48" wide
- Aesthetically pleasing, slim profile
- Modular design
- Adjustable opening force
- Adjustable closing power
- WiFi interface*
- 2 year limited warranty



SUPERIOR USER EXPERIENCE

- Operator is a secure, password protected WiFi hot spot - no connection to building's IT required
- Simple setup; no app required
- View status and make adjustments without removing cover
- Built-in logic to support single use restroom applications - no external relay boards, logic modules, position switches required

SHARED PLATFORM

- Mix and match 6300, 6200 and 5200 Series throughout facility to maximize value to customer
- Shared aesthetics with 6300 and 6200 Series
- Modular installation - one-person install
- Easy set up and adjustments

*No connection to building's WiFi is required

FUNCTIONS

- Adjustable Hold Open
 - Amount of time a door will stay in the full open position after an activation
- Emergency Interface Relay (fire panel input)
 - Door closes and ignores any activation input until signal is discontinued
- Infinite Hold Open
 - Door will hold open at set position until power is turned off
- Latch Assist
 - At closed position, after an activation, the door is pulled in
 - After the door has closed, the door is pulled in to assist with latch release/engagement
- Obstruction Detection
 - Open: door closes if it hits an obstruction while opening
 - Close: door will reverse to open position if it hits an obstruction while closing
 - Close (Selectable - stop on stall): door will stop once it hits an obstruction and will rest against the obstruction until removed
- Open Delay
 - Delays operator opening for locking hardware
- Outside Wall Switch Disable
 - When contact is closed, outside wall switch is disabled
- Power Assist
 - Senses the door is being opened manually and applies small amount of power to assist user in opening the door with force less than 5 lbs.
 - Door opens only as far as it is moved manually, then closes once released
- Power Close
 - Additional force to assist door closing between 7° and 2°
- Presence Detector Input
 - Input for external sensor to detect presence at door open or close position only
- Push & Go
 - As the door is manually opened, the operator "senses" movement and opens door to the full-open position
- Selector Mode Switch
 - Off - Disables signal inputs unless Blow Open is activated
 - On - Activates signal inputs
 - Hold Open - Activates the unit (unless blow closed is activated on 6300) to the hold open position
- Single Use Restroom
 - Occupancy Input
 - Disables inside and outside restroom switches
 - Restroom Outside Switch
 - In unlocked state, activates operator
 - Disabled by occupancy input; resets to unlocked state when door is opened
 - Restroom Inside Switch
 - Activates operator
 - Disabled by occupancy input, while occupancy input switch is closed

6200 SERIES

LOW ENERGY POWER OPERATORS

ELECTRICAL DATA

- Power input 120 VAC, 3A, 60Hz
- Current draw 1.5A
- Power output 24VDC @ 0.4 A max draw (less accessories)


PATENTS

- assaabloydss.com/patents

SPECIFICATIONS

- Door Control (interior) (exterior) closing force shall be adjustable to ensure adequate closing control.
- Door Operator shall simulate conventional door closer opening and closing forces unless the power operator motor is activated.
- Door Operator shall have electronic backcheck to cushion the door speed if door is opened violently. [(Door Operator shall be AUTOMATICALLY ACTIVATED by either a slight push or pull in the direction of opening swing - Push & Go.) (Door Operator shall be SELECTIVELY ACTIVATED by external initiating device, i.e. wall switch, etc.) (Door Operator shall be both AUTOMATICALLY ACTIVATED and SELECTIVELY ACTIVATED.)]
- Operator shall have selectable latch boost to provide additional closing force to overcome conditions that may prevent door from latching.
- Unit shall have delay switches for motor activation, electric lock interfacing, and hold open time.

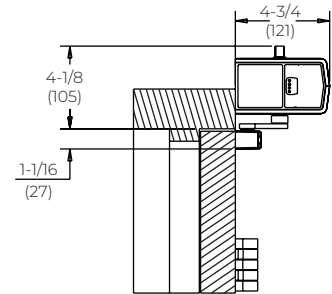
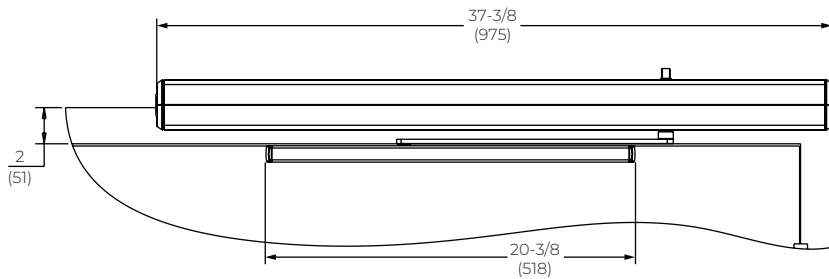
CERTIFICATIONS

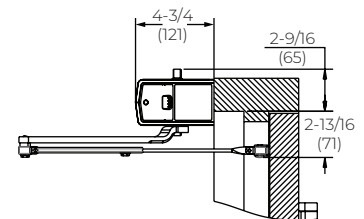
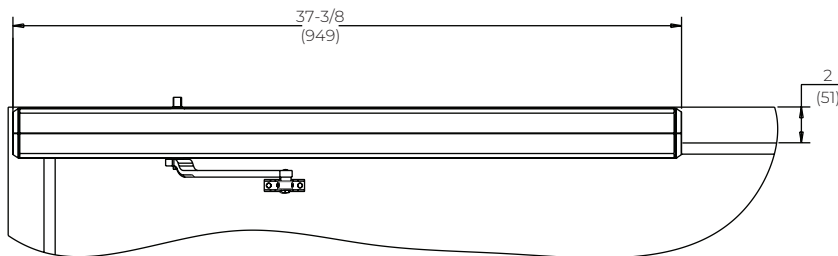
- ANSI/BHMA A156.19 certified 
- UL325/991 certified
- UL10C positive pressure up to 3 hours
- Complies with requirements for the Americans with Disabilities Act (A.D.A)
- Manufactured in an ISO 9001 and ISO 14001 certified facility

- Units shall interface with latch retraction exit devices or similar products and have 24VDC @ 1.3A maximum (less accessories) output for connection of electric strike, lock, radio frequency receiver, etc.
- Unit shall have a three-position Selector Mode Switch that will permit the unit to be switched "ON" to monitor for function inputs, switch to "H/O" for infinite hold open function or switched "OFF" which will disable function inputs allowing unit to be used as a manual door closer.
- Unit shall be U.L. Listed for automatic closing door.
- The Unit shall be adjustable to provide compliance with the requirements of the Americans with Disabilities Act (ADA). Unit shall be certified by BHMA to meet A156.19 requirements.
- Unit shall meet UL325/991, UL10C standards.

APPLICATIONS

6211

 HINGE (PULL) SIDE OF DOOR
RIGID ARM AND SLIDE TRACK

6231

 STOP (PUSH) SIDE OF DOOR
STANDARD-DUTY DOUBLE LEVER ARM


6200 SERIES

LOW ENERGY POWER OPERATORS

6241 - UNIVERSAL UNIT INCLUDES:

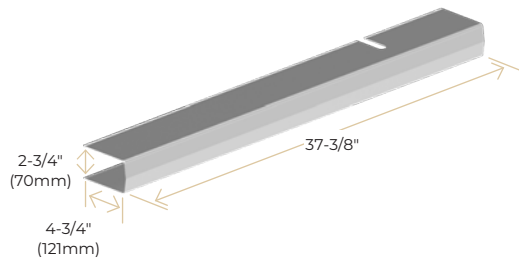
- Operator
- Cover
- Push and pull arms



TECHNICAL INFORMATION

Model	Door Opening	Reveal Range	Minimum Ceiling Clearance*	Frame Width	Door Width	Door Weight
6211	Up to 120°	1/8"	2-1/4" standard	Minimum 2"	Minimum 36" Maximum 48"	200 lbs.
6231	Up to 130°	3-1/4" (Max)				

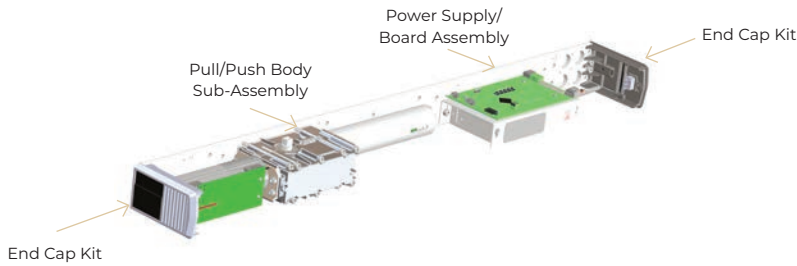
*Based on units mounted on 2" frame



NOTES:

- For additional information, 6200 instruction sheets are available online.

PARTS LIST



Parts

Part Number	Description
6200LAP	Pull/Push Body Sub-Assembly
6200CM	Power Supply / Board Assembly
6300CAB	Cable Kit
6300COV2	37-3-8" Cover
6300DPS	37-3/8" Cover Plate

Miscellaneous Parts

Part Number	Description
6300END	End Cap Kit (included both end caps)
6300SP	Screw Pack

ARM AND TRACK ASSEMBLIES



- 6210-1** Arm and Track Assembly
- 6210-1W** Arm Assembly
- 7100-1T** Track Assembly



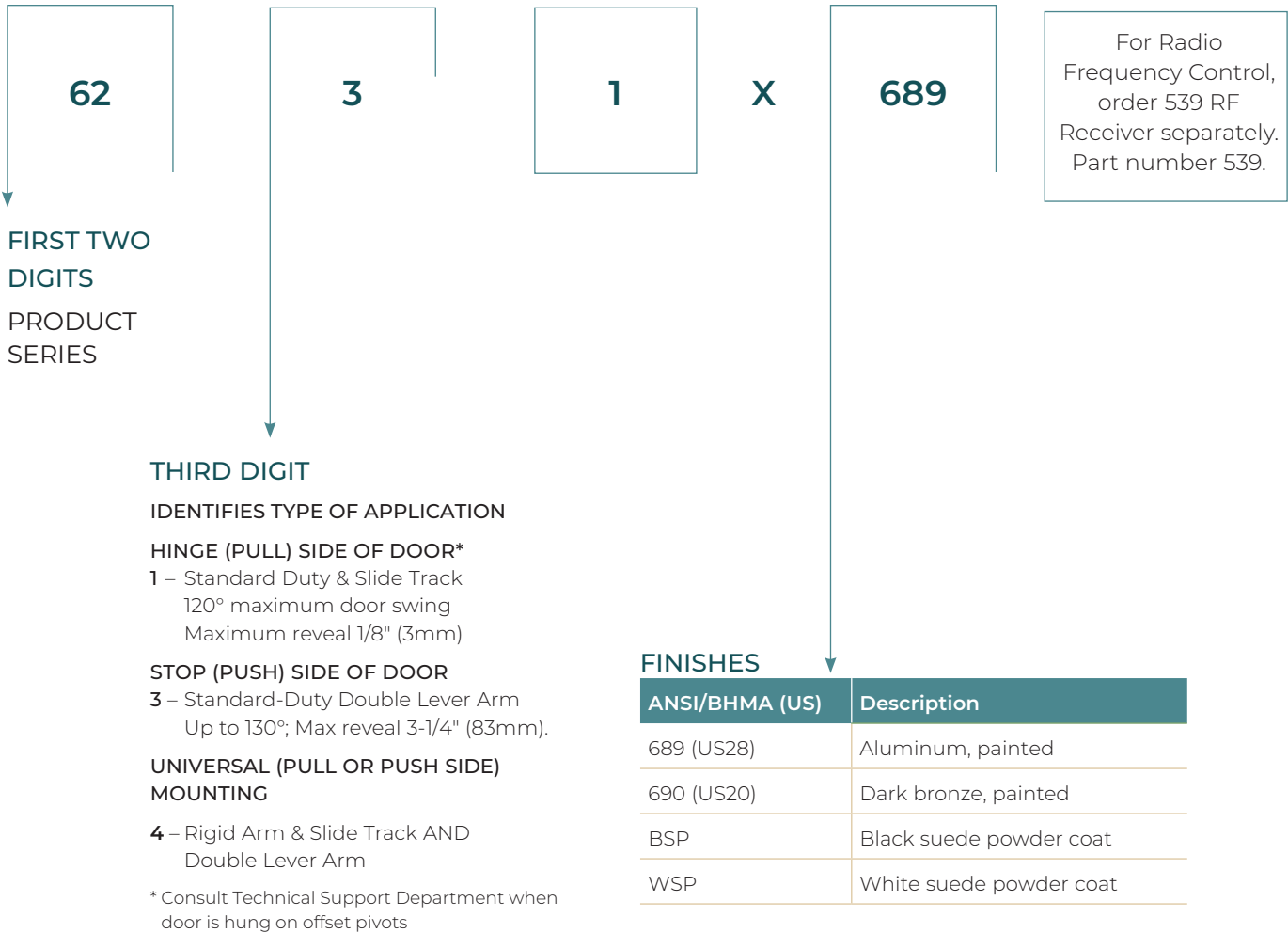
- 7701-5** Arm Assembly
- 7701-1M** Main Arm Assembly
- 7701-115** Secondary Arm Assembly

6200 SERIES

LOW ENERGY POWER OPERATORS

HOW TO ORDER

Note: All transmitters (wall switches or key fob) must be ordered separately.



INTRODUCTION

The Norton Rixson 5200 Series is an electromechanical low energy operator offering functionality and control at an affordable price. The 5200 Series converts interior, non-fire rated doors easily and affordably while providing a simple way to achieve touchless environments. Available for push or pull mounting, this unit can be operated manually or activated by wall switches, or radio frequency devices. Complete with WiFi programming for easy installation and setup.



FEATURES

- Push or pull side mounting
- Non-handed
- Activated by push button, hands-free and RF devices
- Maximum door size: 200 lbs. at 48" wide
- Aesthetically pleasing, slim profile
- Modular design
- Adjustable opening force
- Adjustable closing power
- WiFi interface*
- 2 year limited warranty
- Power cord option



SUPERIOR USER EXPERIENCE

- Operator is a secure, password protected WiFi hot spot - no connection to building's IT required
- Simple setup; no app required
- View status and make adjustments without removing cover
- Built-in logic to support single use restroom applications - no external relay boards, logic modules, position switches required

SHARED PLATFORM

- Mix and match 6300, 6200 and 5200 Series throughout facility to maximize value to customer
- Shared aesthetics with 6300 and 6200 Series
- Modular installation - one-person install
- Easy set up and adjustments

*No connection to building's WiFi is required

5200 SERIES

LOW ENERGY POWER OPERATORS

FUNCTIONS

- Adjustable Hold Open
 - Amount of time a door will stay in the full open position after an activation
 - Infinite Hold Open
 - Door will hold open at set position until power is turned off
 - Latch Assist
 - At closed position, after an activation, the door is pulled in
 - After the door has closed, the door is pulled in to assist with latch release/engagement
 - Obstruction Detection
 - Open: door closes if it hits an obstruction while opening
 - Close: door will reverse to open position if it hits an obstruction while closing
 - Close (Selectable - stop on stall): door will stop once it hits an obstruction and will rest against the obstruction until removed
 - Open Delay
 - Delays operator opening for locking hardware
 - Outside Push Button Disable
 - When contact is closed, outside push button is disabled
 - Power Close
 - Additional force to assist door closing between 7° and 2°
 - Selector Mode Switch
 - Off - Disables signal inputs
 - On - Activates signal inputs
 - Hold Open - Activates the unit to the hold open position
 - Executive
 - Units with Executive function (suffix EX) are pre-wired with 707 accessory kit
 - Includes integrated receiver and pre-programmed transmitters
 - With the door closed: pressing the center button on either remote will open the door to the preset "open" position and hold it there indefinitely
 - With the door open: pressing the center button on either remote will close the door to the preset "close" position
- Single Use Restroom
- Occupancy Input
 - Disables inside and outside restroom switches
 - Restroom Outside Switch
 - In unlocked state, activates operator
 - Disabled by occupancy input; resets to unlocked state when door is opened
 - Restroom Inside Switch
 - Activates operator
 - Disabled by occupancy input, while occupancy input switch is closed

ELECTRICAL DATA

- Power input 120 VAC, 3A, 60Hz
- Max current draw 1.5A
- Power output 24VDC @ 0.4A max draw


PATENTS

- assaabloydss.com/patents

SPECIFICATIONS

- Door Control (interior) (exterior) closing force shall be adjustable to ensure adequate closing control.
- Door Operator shall simulate conventional door closer opening and closing forces unless the power operator motor is activated.
- Door Operator shall have electronic backcheck to cushion the door speed if door is opened violently. (Door Operator shall be SELECTIVELY ACTIVATED by external initiating device, i.e. wall switch, etc.) (Door Operator shall be both AUTOMATICALLY ACTIVATED and SELECTIVELY ACTIVATED.)]
- Operator shall have selectable power close to provide additional closing force to overcome conditions that may prevent door from latching.
- Unit shall have delay switches for motor activation, electric lock interfacing, and hold open time. Units shall have 24VDC @ 0.4A maximum output for connection of electric strike, lock, radio frequency receiver, etc.

CERTIFICATIONS

- ANSI/BHMA A156.19 certified 
- UL325/991 certified
- Complies with requirements for the Americans with Disabilities Act (A.D.A)
- Manufactured in an ISO 9001 and ISO 14001 certified facility

- Unit shall have a three-position Selector Mode Switch that will permit the unit to be switched "ON" to monitor for function inputs, switch to "H/O" for infinite hold open function or switched "OFF" which will disable function inputs allowing unit to be used as a manual door closer.
- Unit shall be U.L. Listed for automatic closing door.
- The Unit shall be adjustable to provide compliance with the requirements of the Americans with Disabilities Act (ADA).
- Unit shall be certified by BHMA to meet A156.19 requirements.
- Unit shall meet UL325/991 standards.

5200 SERIES

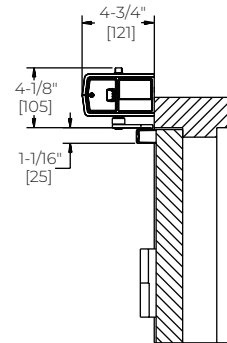
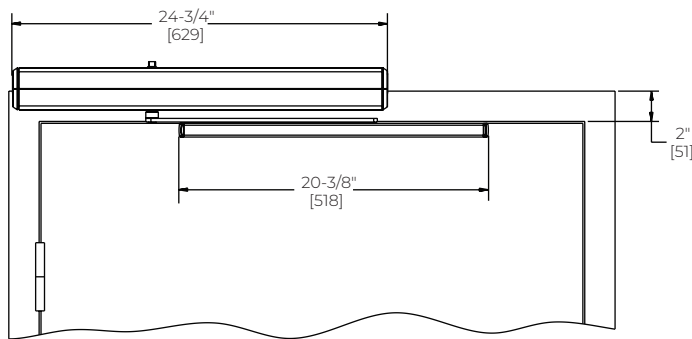
LOW ENERGY POWER OPERATORS

APPLICATIONS



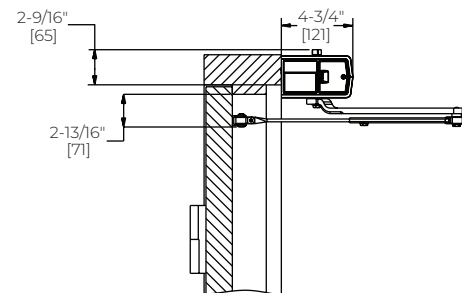
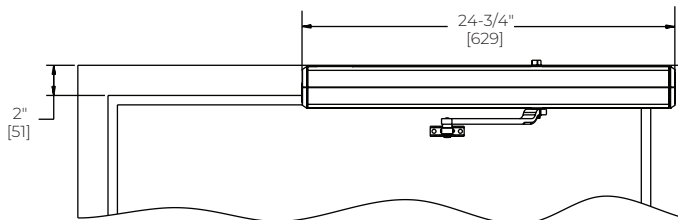
5211

HINGE (PULL) SIDE OF DOOR
RIGID ARM AND SLIDE TRACK



5231

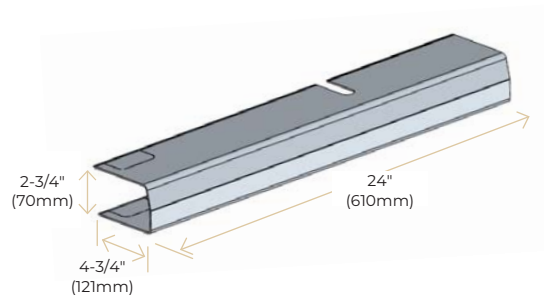
STOP (PUSH) SIDE OF DOOR
STANDARD-DUTY DOUBLE LEVER ARM



TECHNICAL INFORMATION

Model	Door Opening	Reveal Range	Minimum Ceiling Clearance*	Frame Width	Door Width	Door Weight
5211	Up to 120°	1/8"	2-1/4" standard	Minimum 2"	Minimum 36" Maximum 48"	200 lbs.
5231	Up to 130°	3-1/4" (Max)				

*Based on units mounted on 2" frame

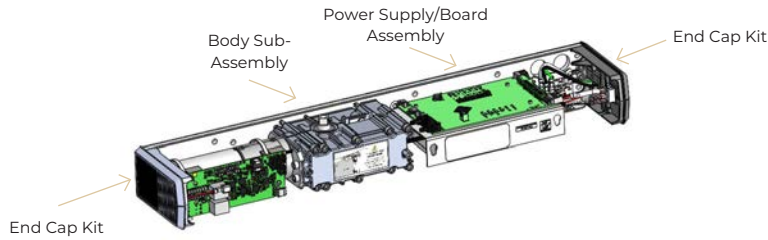

NOTES:

- For additional information, 5200 instruction sheets are available online.

5200 SERIES

LOW ENERGY POWER OPERATORS

PARTS LIST



Parts

Part Number	Description
5210LAP	Pull Body Sub-Assembly
5230LAP	Push Body Sub-Assembly
6200CM	Power Supply/Board Assembly
5200CAB	Cable Kit
5200COV	Cover
5200BP	Back Plate Package

Miscellaneous Parts

Part Number	Description
5200END	End Cap Kit (includes both end caps)
6300CBPC	Power Cord Conduit Assembly
6300SP	Screw Pack

POWER CORD 5700PC



(125V / 10A RATED 18AWG 18 INCHES MAX., NEMA 5-15P AND IEC320-C13 CONNECTORS CORD MUST BE UL LISTED.)

ARM AND TRACK ASSEMBLIES



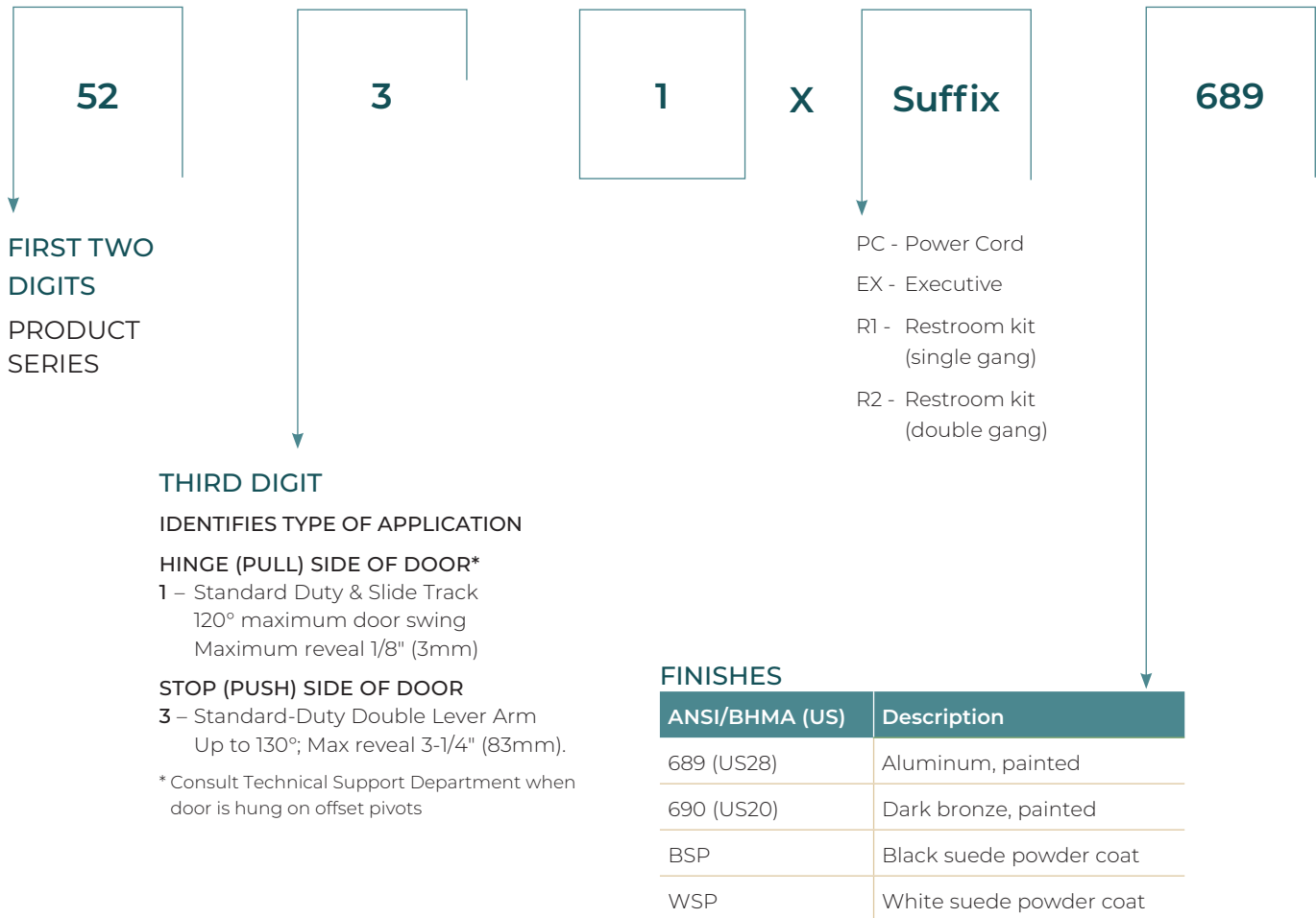
- 6210-1** Arm and Track Assembly
- 6210-1W** Arm Assembly
- 7100-1T** Track Assembly



- 7701-5** Arm Assembly
- 7701-1M** Main Arm Assembly
- 7701-115** Secondary Arm Assembly

HOW TO ORDER

Note: All transmitters (wall switches or key fob) must be ordered separately.



5800 SERIES

LOW ENERGY POWER OPERATORS

INTRODUCTION

As one of the world's only regenerative power door operators, Norton Rixson's 5800 Series is certified by GreenCircle® to reduce energy consumption by as much as 100 percent versus other comparable operators. Available in wireless and plug-in versions and able to fit in the tightest of spaces, the 5800 is simple to install and use.

FEATURES

- Regenerative drive or continuous duty operation
- Non-handed
- 95° door opening
- Push and pull side mounting
- Radio frequency stainless steel wall switches
- Integral RF receiver
- Shock absorbing arm
- 24VDC input port
- ADA1015P hardware kit
- Auxiliary activation input port
- Patented auto-tune feature
- 2 year limited warranty

HOW IT WORKS

How does the 5800 Series Pro work without electrical power?

The 5800 Series Pro is an extreme duty, low energy operator designed for moderate to high traffic manual opening applications that occasionally requires powered operation. A regenerative drive system charges an onboard battery pack eliminating the need for electrical power.

The 80/25 guidelines should be applied when ordering this operator. It is recommended that the 5800 Series Pro be used on a door that gets approximately 80 manual cycles or more per day and is used 25% or less automatically. When applied using the 80/25 guideline this operator will self-generate all the power it needs to keep its field replaceable, onboard, battery pack charged for up to 12 years and in some cases longer.



A fully charged battery has the capability to open a door up to 2000 times in a row, generously allowing for periodic fluctuations from 80/25 guidelines with little impact on the product's overall usability. Example: 30% automatic use for one day is not a problem, as long as that level of automatic use is not sustained.

The 5800 Series Pro can be used outside of the 80/25 parameters. Simply plug the unit into a common 110 VAC electrical outlet using our ADA1015P hardware kit option. The hardware kit is a low voltage plug in transformer and can be added to existing installed field units.

FUNCTIONS

- Adjustable Hold Open
 - Amount of time a door will stay in the full open position after an activation
- Dynamic Braking
 - Braking or slowing of the door if excessive door speed occurs resulting from a wind load or an abusive open condition
- Emergency Interface Relay*
 - Door closes and ignores any activation input until signal is discontinued
- Executive Mode Feature
 - When door receives activation signal it opens and remains open until either a second signal is received or door is manually moved in closing direction
- Latch Assist
 - At closed position, after an activation, the door is pulled in
 - After the door has closed, the door is pulled in to assist with latch release/engagement
- Obstruction Detection
 - Open - door closes if it hits an obstruction while opening
 - Close (Stop on Stall) - door will stop once it hits an obstruction and will rest against the obstruction until obstruction is removed
- On/Off Switch
 - Disables operator activation
- Open Delay*
 - Delays operator opening for locking hardware
- Outside Wall Switch Disable*
 - When contact is closed, outside wall switch is disabled
- Power Close
 - Additional force to assist door closing between 90° and 70° and 10° and 0°
- Push & Go
 - As the door is manually opened, the operator “senses” movement and opens door to the full-open position
- Single Relay Output*
 - Closes to indicate a valid activation

*Only available with Wireless Interface Module (WIM) ordered separately.

CERTIFICATIONS

- ANSI/BHMA A156.19 certified
- ETL tested to UL/cUL 325 standard for automatic operators
- Complies with requirements for Americans with Disabilities Act (ADA)
- UL10C positive pressure 90 minute
- Manufactured in an ISO 9001 and ISO 14001 certified facility
- Verified by GreenCircle to offer these energy savings as compared to similar products:
 - 5800 Series (plug-in) – 91% efficiency
 - 5800 Series (wireless) – 100% efficiency



PATENTS

- assaabloydss.com/patents

5800 SERIES

LOW ENERGY POWER OPERATORS

SPECIFICATIONS

- Provide low energy automatic door operator complying with requirements of ANSI A156.19
- Provide an operator with adjustable opening and closing forces that meet the provisions of ANSI A117.1 and the Americans with Disabilities Act
- Provide an operator with a regenerative drive system which charges the on-board battery pack when unit is operated manually and which requires no external electrical power
- Provide an operator that can connect to ANY 24VDC power supply to keep an on-board battery pack fully charged eliminating the need for manual traffic charging. When used with 24VDC input the operator shall supply up to 2000 automatic operations upon loss of building power
- Provide an operator which has been verified by GreenCircle to offer these energy savings as compared to similar products:
 - 5800 Series (plug-in) – 91% efficiency
 - 5800 Series (wireless) – 100% efficiency
- Provide an operator which, upon installation, will determine door size and weight and automatically tune controller to operate within ANSI A156.19 and A117.1 standards. Operator shall also have the following adjustable functions:
 - Opening/closing speed
 - Hold-open time
 - Close check
 - Opening/closing force
- Provide operator with on-board diagnostics which will continually maintain control of door speed in wind or abusive environment conditions
- Provide operator that will continue closing door within ANSI A156.19 and 117.1 requirements without any external power supplied. Upon meeting an obstruction during the opening cycle the door shall remain under power for one second and then close under spring force; if the door meets an obstruction during closing, the door will maintain a closing force of 8 lbs or less
- Provide unit capable of operating doors up to 48" wide, weighing up to 250 lbs
- Provide unit that will operate in climates with temperatures above -40° F and has a two year warranty
- Provide operator with two stainless steel, jamb mounted, wall switch transmitters in choice of 1-3/4" x 4-3/4" narrow, 4-1/2" x 4-1/2" square styles, or 5-1/4" x 5 11/4" wave-to-open switch style, with required signage. Locate wall switches as directed by architect and within ANSI A156.19 and 117.1 guidelines
- Provide operator which utilizes a triangular hardened steel output shaft to connect arm with a two piece tapered coupling for superior slip resistance
- Provide operator and wall switch transmitter with circuit boards that have been specially coated to resist moisture and humidity making the electronics weather resistant
- Provide operator with integral heavy duty cast aluminum shock absorbing arm, which when fully extended is in full tension eliminating the need for an auxiliary door stop
- Provide operator with two architecturally finished covers and black powder coated frame, arms and mounting brackets
- Black (BHMA 693T)
- Aluminum (BHMA 689)
- Provide an operator incorporating "Push & Go" feature to allow door movement to activate door open cycle or recycle door (PRO PLUS only)
- Provide an operator incorporating "Power Close" feature to utilize the motor to close a door help open by wind, stack pressure or latchbolt (Models 5833, 5813 only)
- Provide an operator incorporating "Latch Assist" feature to apply pulsed power in the closing direction to assist in latching and unlatching of the door

PRODUCT DESCRIPTIONS

PRO: MODELS 5831 (PUSH), 5811 (PULL)

- No electrical power required
- Moderate to high traffic, manual opening applications that occasionally require automatic operation
- Regenerative drive system charges an onboard battery pack
- Models 5831 and 5811 excel in applications where the traffic pattern allows for 80 door cycles per day, 25% of which are automatic and 75% of which are manual. These models require no electrical connection, no permit, no inspection, no wiring, and no low voltage license. The 5800 Series installs like a manual door closer in less than 1 hour.

PRO PLUS: MODELS 5833 (PUSH), 5813 (PULL)

- 24VDC powered - continuous automatic use
- Connects to ANY 24VDC power supply
- Commercial applications requiring Push & Go, Power Close, and Electric Lock Interface.
- Ideal for openings requiring continuous automatic use or automatic use more than 25% of the time

PRO COMPLETE: MODEL 5845 (PUSH AND PULL)

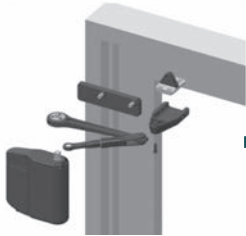
- Bundles all the configurations of the PRO and PRO PLUS models into one easy to stock package
- Right or left hand doors
- Push and pull side mounting hardware
- Black and aluminum finish covers
- Mounting hardware for virtually any door and frame
- 24VDC plug-in transformer kit for continuous automatic use applications

5800 SERIES

LOW ENERGY POWER OPERATORS

KITS

Models 5831 x NPB (Push), 5811 x NPB (Pull)



Wall switches with wireless (RF) transmitters

Narrow Style
or Square

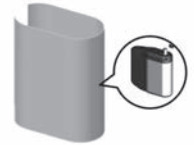
OR



Operator

Non-handed, push side
mounting, parallel arm

OPTION:



Aluminum dress cover

Replaces standard black cover; operator frame and arm are always black finish

Models 5833 x SQPB (Push), 5813 x SQPB (Pull)



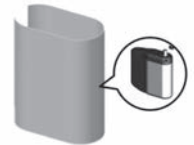
1015P hardware kit: 24VDC

Transformer

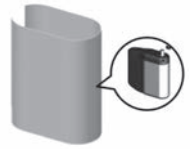
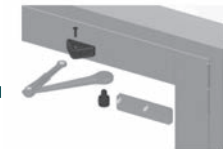
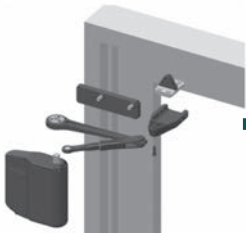
OR



OPTION:



Models 5845 x NPB (Push & Pull), 5845 x SQPB (Push & Pull), 5845 x WTO (Push & Pull)

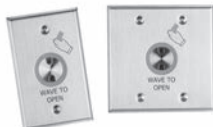


Pull side mounting hardware, regular arm

OR



OR



Wave-to-Open switch

WIRELESS INTERFACE MODULE (ADA1028W)

System Description:

The Wireless Interface Module (WIM) allows the 5800 door operator to interface to 5800 wired or wireless wall switches, wireless remote, an electric lock, fire panel, access control, and an outside wall switch disable contact. The WIM can be used with any 5800 model.

Mounting:

The WIM (4.25" W x 5.75" H) is designed to fit inside a power supply cabinet, using a supplied plastic mounting plate with double sided tape and fasteners.



Inputs:

- Power input: 24VDC
- Hardwire wall switches input: separate INSIDE and an OUTSIDE activation input
- Wireless wall switch input: separate INSIDE and an OUTSIDE RF activation input
- Handheld transmitter input: part # ADA1031 interface
- Operator connection cable: plug-in swing door cable connector interface
- Lock power: dry contact SPDT to power an electric lock
- Outside wall switch disable: privacy feature

Outputs:

- Wireless output: RF signal to activate operator
- Output contacts: SPDT dry contact output for AUX signal
- Lock contacts: SPDT dry contact output for LOCK
- Access control contacts: indicates valid unlock signal
- Signal delay timer: 1.5 second lock release delay
- Emergency interface relay (EIR): disables signal inputs

Codes/Listings:

- UL 325 standard for automatic operators
- FCC 47CFR 15C and RSS 210

5800 SERIES

LOW ENERGY POWER OPERATORS

TECHNICAL INFORMATION

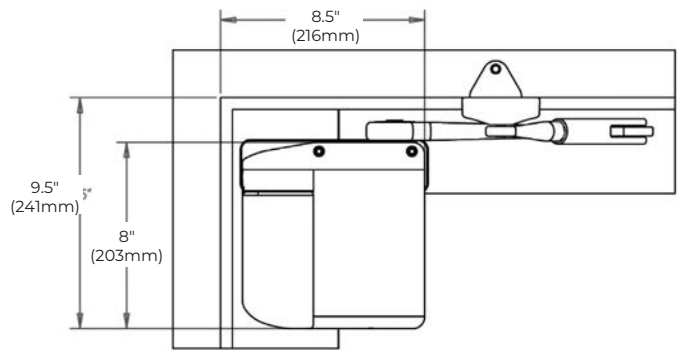
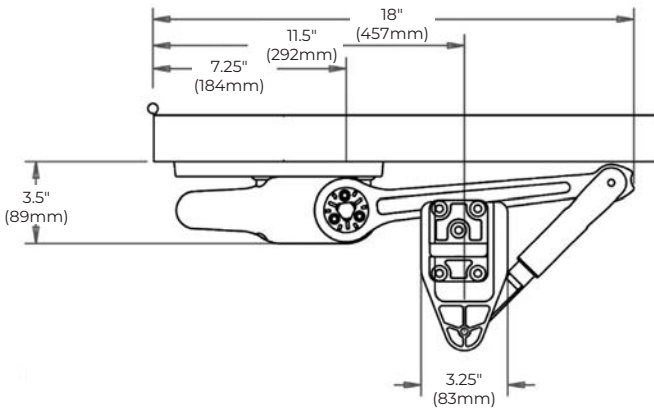
Push Side



Push side mounting without electrical power



Push side mounting with ADA1015P hardware kit



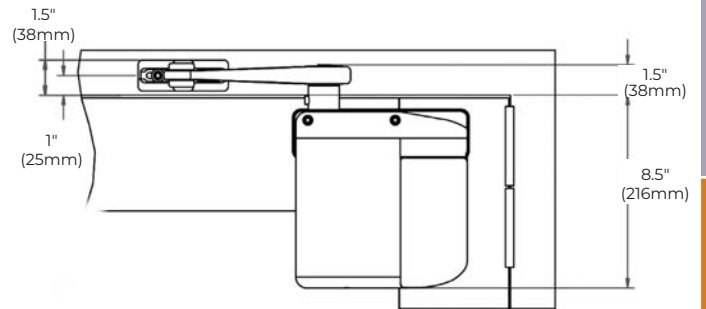
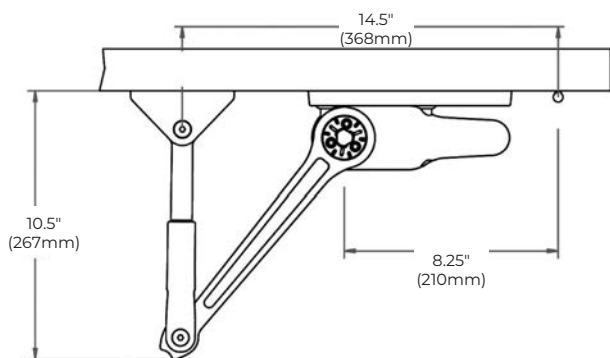
Pull Side



Pull side mounting without electrical power



Pull side mounting with ADA1015P hardware kit



All dimensions are approximate

NOTES:

- Maximum door width - 48" (122 cm)
- Maximum door weight - 250 lbs.
- Dimensions are listed in inches/mm unless noted

TRASH ROOM DOORS



FEATURES

- Continuous duty operation
- Non-handed
- 95° door opening
- Push or pull side mounting
- Occupancy sensor
- Electric lock interface module
- Shock absorbing arm
- Black cover (standard); aluminum cover (optional)
- 24 VDC input port
- Built-in on/off switch
- Auxiliary activation input port

APPLICATIONS

- Trash rooms in high rise buildings

How to Order	Mounting
5839-NYW	Push
5819-NYW	Pull

INCLUDED IN PACKAGE*

- Operator
- Mounting hardware
- 24VDC 1 amp power supply
- Occupancy sensor
- Armored door cord
- (2) 1-3/4" surface mounted, stainless, hardwired wall switches
- 20 feet of operator power and signal wire

* Electric lock not included

Models 5839 and 5819 were designed to meet a New York City building code that required trash room doors be equipped with automated doors to make them more accessible to disabled persons. These models include an occupancy sensor to keep the door open while the room is in use and a power close feature to ensure the door closes and re-latches.

BENEFITS

Easy to Install

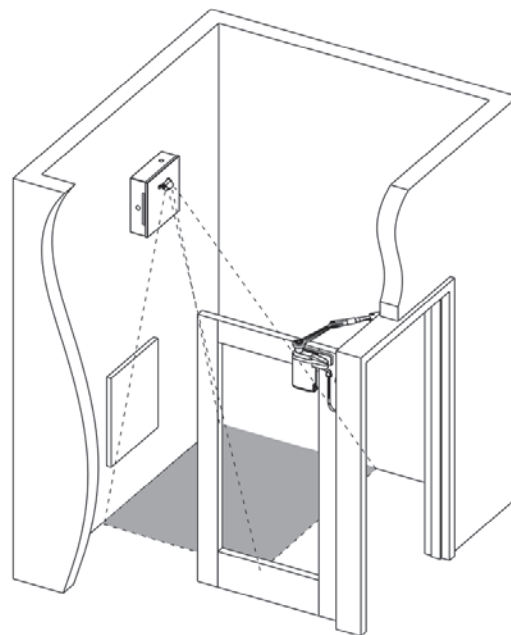
- Occupancy sensor keeps door open while room is in use
- Optional power close ensures consistent door latching

Flexible

- Controls doors up to 48" wide and 250 lbs in weight
- Acts like a manual door closer

Dependable

- Grade 1 - heavy-duty, commercial design
- Brushless DC motor/gearbox tested in excess of 10 million cycles
- Optional dynamic and back check braking for abusive environments

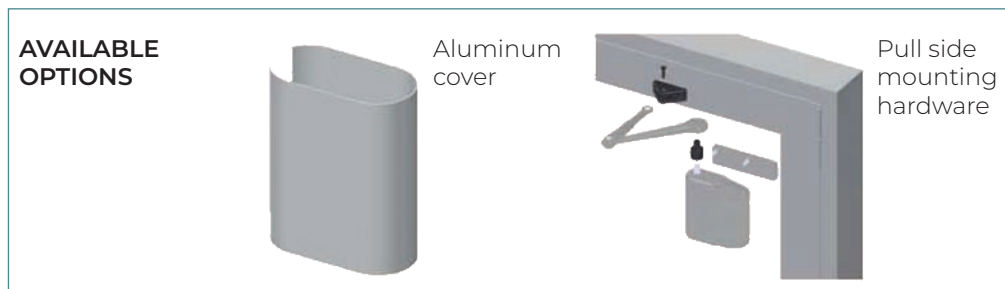
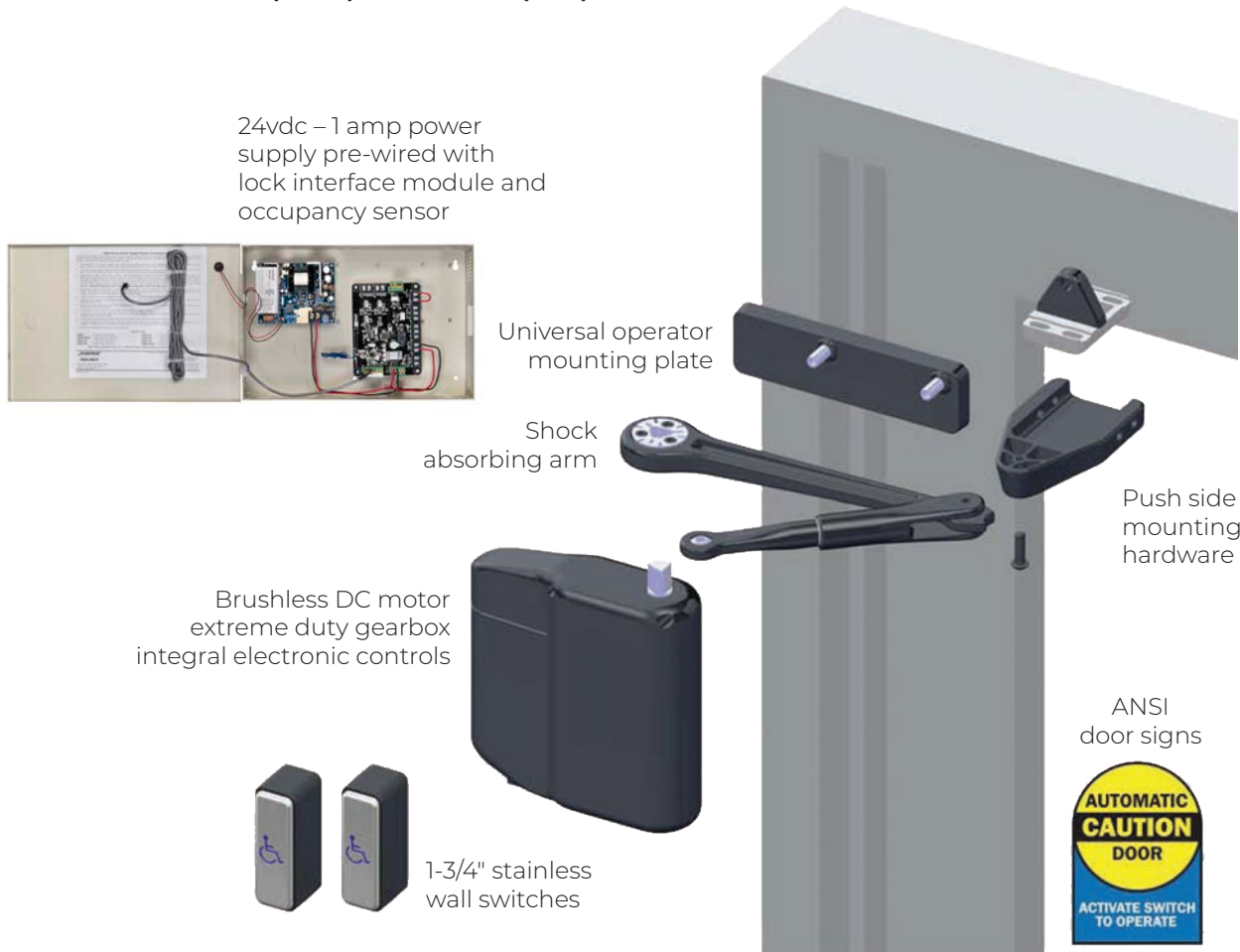


5800 SERIES

LOW ENERGY POWER OPERATORS

KIT

Models 5839-NYW (Push), 5819-NYW (Pull)



PARTS

ADA1015P

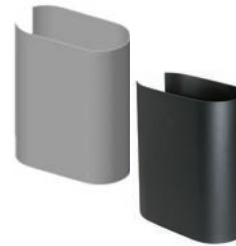
Kit: transformer, armored door cord, end links 50' of low voltage cable, power port cnt.


ADA1007P

Battery assembly


ADA1001

Door arm assembly


ADA1002

Operator cover – black

ADA1004

Operator cover – aluminum


ADA1010P*

Operator body - ADAEZ PRO

ADA1010NY*

Operator body - NYC TRD

ADA1010E*

Operator body - Europe

** battery not included*


ADA1028W

Wireless Interface Module


ADA1005WP

Electronic control kit for Pro setup and PC board (white board)

ADA1005WN

Electronic controlkit for NYCTRD setup and PC board (white board)


ADA1022

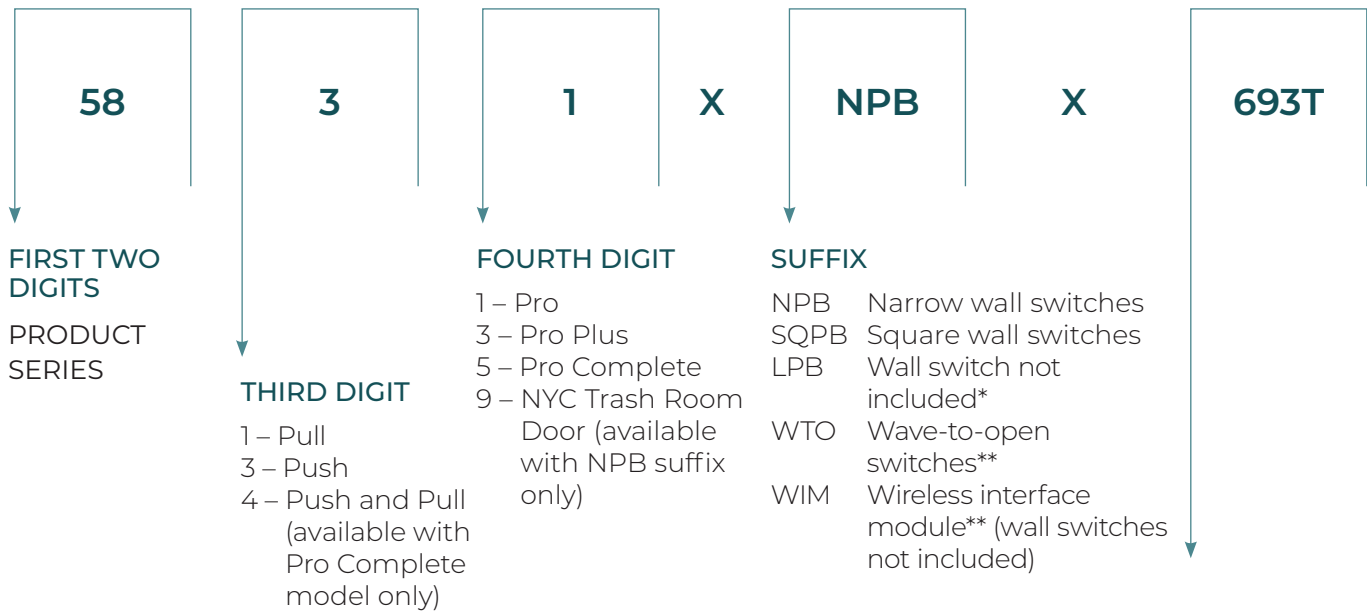
Kit to convert SPDT switch to DPDT switch

Part #	Description
ADA1009	Mounting hardware (includes rivetnut installation toolkit)
ADA1006	Operator mounting bracket with covers
ADA1023	External battery charger kit
ADA1025	Multi-purpose timer
ADA1026	Bottom cover with screws
ADA1031	Hand held remote control
ADA1031E	Hand held remote control (Europe)
ADA1021	Kit to convert to pull side
ADA1024	Kit to convert to push side
ADA1008	Wireless wall switch transmitter (circuit board only)
ADA1015C	Door cord WIM
ADA1025P	24VDC power supply, WIM, and mounted sensor

5800 SERIES

LOW ENERGY POWER OPERATORS

HOW TO ORDER



Finish Designations for Covers	Description
693T	Black Textured
689	Aluminum

KITS	Model Number	Function		Description					
		Push	Pull	Narrow Wall Switches	Square Wall Switches	Wave-to-Open Switch	1015 Hardwire Kit	Aluminum Dress Cover	Wireless Interface Module
PRO	5831 x NPB	•		•				○	○
	5811 x NPB		•	•				○	○
	5831 x SQPB	•			•			○	○
	5811 x SQPB		•		•			○	○
PRO PLUS	5833 x NPB	•		•			•	○	○
	5813 x NPB		•	•			•	○	○
	5833 x SQPB	•			•		•	○	○
	5813 x SQPB		•		•		•	○	○
PRO COMPLETE	5845 x NPB	•	•	•			•	•	○
	5845 x SQPB	•	•		•		•	•	○
	5845 x WTO	•	•			•	•	•	○
	5845 X WIM	•	•				•	•	•
CUSTOM NYC-TRD	5839-NYW	•		•				○	•
	5819-NYW		•	•				○	•

Note: *Not available with NYC-TRD
** Only available for model 5845

○ – Optional parts
• – Standard parts

ACTIVATING WALL SWITCHES

Available with 501, 502, 505, 506, 507, 531, 532, 533, 534, 535, 671, 672

6300 Series	✓
6200 Series	✓
6000 Series	✓
5700 Series	✓
5500 Series	✓
5200 Series	✓



501

502



671

671 and 672 switches meet new state accessibility logo requirements in NY, CA, and CT

- 4-1/2" W x 4-1/2" H
- 15 amp @ 125 VAC
- Flush mounted
- Fits single or 2 gang electrical box

Model	Description	Hard wired	RF (433MHz)
501	Press to Operate Door	✓	
502	Press to Open x logo	✓	
542	4-1/2" surface mount box		
671	Press to Open x alternative logo	✓	
672	Press to Open x alternative logo		✓



505

532

- 6" W. x 6" H.
- 9 volt battery
- 15 amp @ 125 VAC
- Flush mounted
- Stainless steel with blue letters



506

534

505, 506, 507 and 534 switches may also be installed with single or double gang electrical box using fasteners included

Model	Description	Hard wired	RF (433MHz)
505	Square button: Push to Open x Logo	✓	
506	Round button: Push to Open x Logo	✓	
507	Square button: Push to Open	✓	
531	Square button: Push to Open x Logo		✓
532	Square button: Push to Open		✓
533	Round button: Push to Open x Logo		✓
534	Round button: Push to Open	✓	
535	Round button: Push to Open		✓
555	6" square surface mount box		
557	6" round surface mount box		

NOTES:

- Metal enclosures can reduce signal strength and cause an intermittent or reduced signal reception when using a radio frequency transmitter. To ensure proper function, do not use metal conduit housing.
- All hard wired switches are Momentary Contact SPDT, UL Listed.

ACCESSORIES

LOW ENERGY POWER OPERATORS

VESTIBULE SWITCHES, TRANSMITTERS, RADIO FREQUENCY RECEIVER, EXECUTIVE PACKAGE

Available With	503, 504, 536, 537, 538, 539, 540, 546, 548, 578, 586, 707*
6300 Series	✓
6200 Series	✓
6000 Series	✓
5700 Series	✓
5500 Series	✓
5200 Series	✓



503

VESTIBULE SWITCHES

- 1-1/2" x 4-3/4" face plate
- SPDT UL listed switch-mom
- 15 amp @ 125 VAC
- Fits 1-3/4" frame
- Stainless steel with blue letters
- 559 optional surface mount box



504

- 5" W x 4-3/4" H
- 2 – SPDT UL listed switches-mom
- 15 amp @ 125 VAC
- Fits 2-gang electrical box
- Stainless steel with blue letters



536, 540

538, 578

HANDHELD TRANSMITTERS

- 536: one button, 538: two button (433 MHz)
- 540: one button, 578: two button (900 MHz)
- 539 or 537 receivers required. Sold separately.



537

RADIO FREQUENCY RECEIVERS

- 539: 433 MHz
- 537: 900 MHz



539



548

HARDWIRED TRANSMITTERS

- Convert existing hardwired push plates to work with appropriate RF receivers
- 548: 433 MHz, 546: 900 MHz (battery included)
- 586 transmitter converts existing wired push plates to work with touchless devices
- 539 or 537 receivers required. Sold separately.



546

586



707

Includes pre-wired receiver and two remote transmitters

NOTES:

- Metal enclosures can reduce signal strength and cause an intermittent or reduced signal reception when using a radio frequency transmitter. To ensure proper function, do not use metal conduit housing.
- All hard wired switches are Momentary Contact SPDT, UL Listed.
- * 5200 with EX suffix includes a preinstalled 707 package.

WALL SWITCH KITS, OPERATIONAL SIGNAGE

Available With	564, 565, 679, 767K1, 767K2
6300 Series	✓
6200 Series	✓
6000 Series	✓
5700 Series	✓
5500 Series	✓
5200 Series	✓

WALL SWITCH KITS

564
INCLUDES

- ADA1019-2 wall switch
- 548 transmitter (with 9 volt battery)
- 539 receiver


565
INCLUDES

- (2) ADA1019-2 wall switches
- (2) 548 transmitters (with 9 volt batteries)
- 539 receiver


767K1
INCLUDES

- (1) 767 wall switch
- (1) 546 transmitter
- (1) 537 receiver


767K2
INCLUDES

- (2) 767 wall switches
- (2) 546 transmitters
- (1) 537 receiver

679 SIGNAGE KIT (SUPPLIED STANDARD)


(1 per switch)



(1 per switch)



(2 per operator)

ACCESSORIES

LOW ENERGY POWER OPERATORS

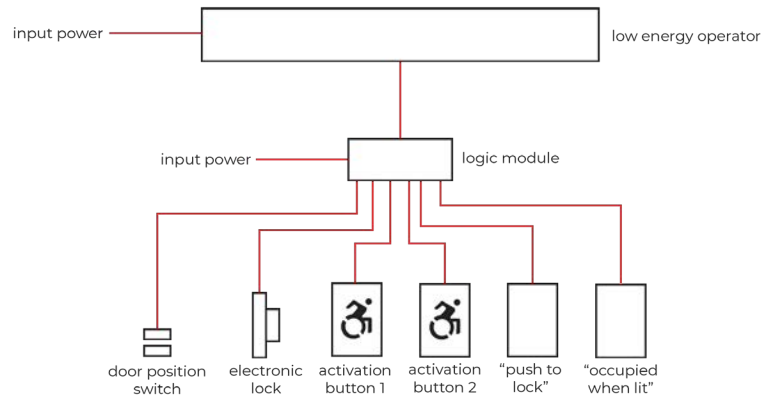
RESTROOM KIT

Available With	575
6300 Series	✓
6200 Series	See note
6000 Series	✓
5800 Series (x WIM)	✓
5700 Series	✓
5500 Series	✓
5200 Series	See note



575

Note: Restroom functionality is built into 6200 and 5200 Series operators. Kit not required.



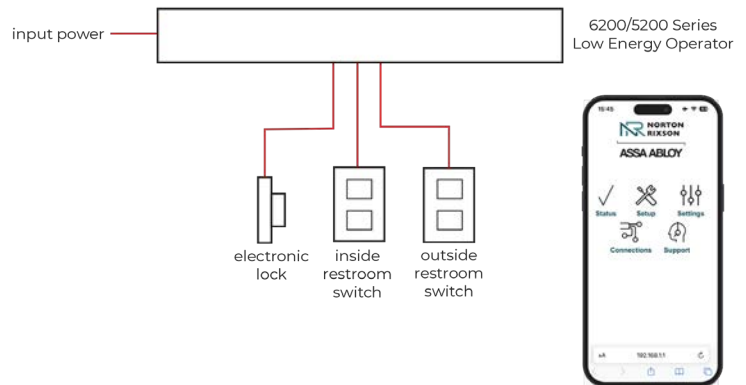
Available With	775*, 776*
6200 Series	✓
5200 Series	✓



775



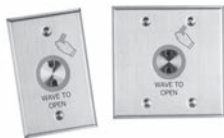
776



* 5200 with R1 suffix includes the 775 Kit; R2 suffix includes the 776 Kit.

WAVE-TO-OPEN SWITCHES

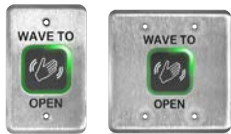
Available With	673, 674, 700, 704, 767, 768
6300 Series	✓
6200 Series	✓
6000 Series	✓
5800 Series	✓
5700 Series	✓
5500 Series	✓
5200 Series	✓

WAVE-TO-OPEN WALL SWITCHES

700

- Infrared technology
- Single and double gang faceplates packaged together
- Sensor requires movement for activation
- Variable relay – hold time from 0 – 35 seconds
- Range 0" to 4"
- Dimensions:
3" W x 4-3/4" H (single);
4-1/2" W x 4-1/2" H (double)


704

- Infrared technology
- Narrow gang
- Sensor requires movement for activation
- Variable relay - hold time from 0-35 seconds
- Range 0" to 4"
- Durable stainless steel body holds up in moist environments


673
674

- Microwave technology
- Stainless steel
- Adjustable sensing zone from 4"-24"
- Adjustable hold time (1/2 to 30 seconds)
- 673: Single gang
- 674: Double gang
- Surface mounting boxes:
– 685: Single
– 686: Double


767
768

- Battery operated
- Infrared sensors
- 767: Single gang
- 768: Double gang
- Stainless steel with vandal resistant face plate
- Sensor detection range up to 4"
- Field-configurable bi-color (red/green) LED status indicators
- Selectable time delay 1 to 10 seconds

NOTES:

- Metal enclosures can reduce signal strength and cause an intermittent or reduced signal reception when using a radio frequency transmitter. To ensure proper function, do not use metal conduit housing.
- Bright light like direct sunlight can interfere with the Wave To Open signal.

ACCESSORIES

LOW ENERGY POWER OPERATORS

PUSH PLATE, SWITCH POST, MOTION SENSOR

Available With	500, 530, 638, 639, 663
6300 Series	✓
6200 Series	✓
6000 Series	✓
5700 Series	✓
5500 Series	✓



SWITCH POST

- 4" x 6" x 40" x 3/16" wall thickness
- 9 volt battery
- RF temperature range: -4° F to 122° F
- 689 (aluminum) or 690 (dark bronze) finishes
- Standard formed plastic cap
- Surface mounted (above ground)
- 530 - radio frequency transmitter
- 500 - hard wired switch
- 530POST - post only; switch not included

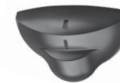
500



LOW PROFILE PUSH PLATE

- 36" x 6" activation zone
- 1" low profile depth
- Stainless steel face plate
- Adapts to either wireless or hard wired installations
- 638 - Wireless
- 639 - Hard wired

638



663*

MOTION SENSOR

- 4-3/4" x 3-3/16" x 2" projection
- Unidirectional
- Black cover
- SPDT relay
- Adjustable angle pattern
- 24 VDC input
- Must not be placed where motion of door can be sensed

PRESENCE DETECTOR, SENSORS

Available With	523, 585, 596
6300 Series	✓
6200 Series	✓
6000 Series	✓



523

SAFETY SENSOR

- Door mounted
- Covers the entire face of a single door
- 5-1/2" W x 3-1/3" H x 1" D



585

PRESENCE DETECTOR

- Diffused active infrared technology
- 11.8" L x 1.9" H x 1.9" W
- Black anodized aluminum
- 9"x0" maximum mounting height
- Supply voltage: 24VAC/DC



596

SENSOR

- Active infrared safety sensor
- Detection range 0-8'
- 36", 42" or 48" width (specify when ordering)
- 8' x 0" maximum mounting height

*Use of motion sensor must be approved by local authority having jurisdiction.

ACTIVATING WALL SWITCHES, DECALS

Available with

 ADA1019-1, ADA1019-2, ADA1019-3,
ADA1019-4, ADA1012-1, ADA1012-2, ADA1014

5800 Series


ADA1019-1:

4-1/2" square wall switch assembly

ADA1019-2

4-1/2" square wall switch assembly with RF transmitter

ADA1019-3

4-1/2" square wall switch assembly with DPDT switch

ADA1019-4

4-1/2" square wall switch assembly with DPDT switch with RF transmitter


ADA1012-1

1-3/4" wall switch assembly

ADA1012-2

1-3/4" wall switch assembly with RF transmitter


ADA1014

Decal pack

PRODUCT COMPARISON

LOW ENERGY POWER OPERATORS

FEATURES	FRAME-MOUNTED ELECTROHYDRAULIC			FRAME-MOUNTED ELECTROMECHANICAL			DOOR-MOUNTED ELECTROMECHANICAL
	6000	5700	5500	6300	6200	5200	5800
Non-handed	Yes						
Push or pull side mounting	Yes						
Backcheck standard	Yes						
Door traffic (heavy, moderator or light)	H	M	M	M-H	M	L-M	M-H
Use on exterior doors	Yes	Yes	Yes	Yes	Yes	No	Yes
Use on fire rated doors	Yes ⁴	Yes	Yes	Yes	Yes	No	Yes ⁵
Use of actuation devices: wall switches, RF and wave-to-open switch*	Yes						
Integration with access control systems	Yes	Yes	Yes	Yes	No	No	Yes
Mobile setup	No	No	No	Yes	Yes	Yes	No
Single or double doors	Yes						
WiFi interface setup	No	No	No	Yes	Yes	Yes	No
Warranty	2 yrs						
Power supply included	Yes	Yes	No	Yes	Yes	Yes	Yes
Optional power cord	No	Yes	No	No	No	Yes	No
Price	\$\$\$	\$\$	\$	\$\$\$	\$\$	\$	\$\$\$
FUNCTIONS							
Adjustable hold open	Yes						
Blow open for smoke ventilation	Yes	No	No	Yes	No	No	No
Dynamic braking	No	No	No	Yes	Yes	Yes	Yes
Emergency interface relay (fire panel input)	No	No	No	Yes	Yes	No	Yes (with WIM)
Executive mode	No	No	No	No	Yes	Yes	Yes
Infinite hold open	Yes	No	No	Yes	Yes	Yes	Yes ²
Latch assist	No	No	No	Yes	Yes	Yes	Yes
Obstruction detection	Open/ Close	Open	Open	Open/ Close	Open/ Close	Open/ Close	Open
On/off	Yes	Yes	Yes	Yes	Yes	No	Yes
Open delay	Yes	Yes	Yes	Yes	Yes	Yes	Yes (with WIM)
Outside wall switch disable	No	No	No	Yes	Yes	Yes	Yes (with WIM)
Overload safety shut-off	Yes	Yes	Yes	Yes	Yes	Yes	No
Power assist	No	No	No	Yes	Yes	N/A	No
Power close	No	No	No	Yes	Yes	Yes	Yes~
Power switch	No	Yes	Yes	No	No	No	Yes
Presence detector input	Yes	No	No	Yes	Yes	No	No
Push & Go	Yes	No	No	Yes	Yes	N/A	Yes ¹
Vestibule delay	Yes	No	No	Yes	No	No	No
SPECIFICATIONS							
Maximum door weight	250 lbs	250 lbs	250 lbs	250 lbs	200 lbs	200 lbs	250 lbs
Current draw	.9A	.6A	.6A	1.5A	1.5A	.4A	.4A
Onboard power supply for accessories	24 VDC @ 1.3 A	24 VDC @ 1.1 A	24 VDC @ 1.1 A ³	24 VDC @ 1.3 A	24 VDC @ .4 A	24 VDC @ .4 A	N/A
REGULATORY							
ADA	Yes						
BHMA certified to A156.19	Yes						
UL10C positive pressure requirements	Yes	Yes	Yes	Yes	Yes	No	Yes
Conforms to ANSI/UL 325	Yes (ETL)	Yes (UL)	Yes (UL)	Yes (ETL)	Yes (ETL)	Yes (ETL)	Yes (ETL)

¹ PRO Plus only | ² Auxiliary switch required | ³ Sold separately | ⁴ Push (3-hour), pull (90 min) | ⁵ 90 minute

The ASSA ABLOY Group is the global leader in access solutions.
Every day, we help billions of people experience a more open world.

ASSA ABLOY Opening Solutions leads the development within door openings and products for access solutions in homes, businesses and institutions. Our offering includes doors, frames, door and window hardware, mechanical and smart locks, access control and service.



ASSA ABLOY

Since 1880, Norton Rixson door controls have been an integral part of schools, hospitals and businesses around the globe. When you need products and people that perform at the highest level, rely on Norton Rixson – From Open to Close.

NORTON RIXSON | WWW.NORTONRIXSON.COM

3000 Highway 74 East | Monroe, NC 28112 | Tel: 1 877 974 2255

ASSA ABLOY OPENING SOLUTIONS DOOR SECURITY SOLUTIONS CANADA | WWW.ASSAABLOYDSS.CA

160 Four Valley Drive | Vaughan, Ontario, L4K 4T9 Canada | Tel: 800 461 3007