

INTERIOR FLAT & ROUND TRACK HARDWARE



POCKET, SLIDING, BYPASS TRACK HARDWARE

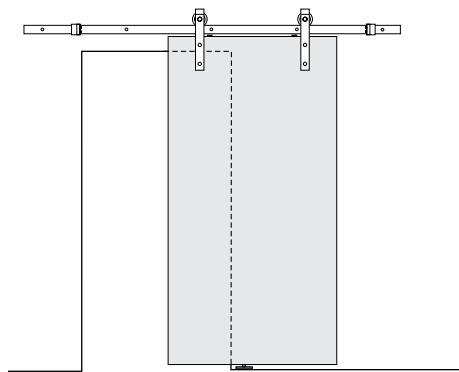


GENERAL INFORMATION

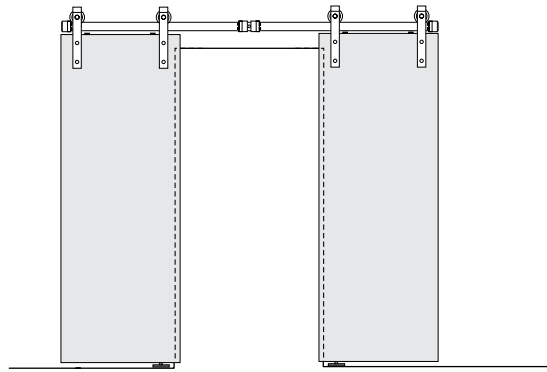
<p>APPLICATIONS:</p> <p>Interior Sliding Doors up to 200 lbs. Maximum Door Thickness: 1-3/4" 1 Door Standard 2 Door Option with either a double door kit or extra hangers, stops, guide</p>	<p>FINISHES:</p> <p>Flat Track Black Oil-Rubbed Bronze Satin Stainless Satin Nickel</p> <p>Round Track Stainless Steel</p>	<p>TRACK KITS INCLUDE:</p> <table border="0"> <tr> <td>Track*</td> <td>Connector Plate <i>(for optional use, only in FT Kits)</i></td> </tr> <tr> <td>2 Hangers</td> <td>All Fasteners</td> </tr> <tr> <td>Spacers</td> <td>Door Guides</td> </tr> <tr> <td>End Stops</td> <td>Instructions</td> </tr> <tr> <td>Anti-Jump Blocks <i>(only in Flat Track Kits)</i></td> <td></td> </tr> </table> <p style="text-align: right;">*1 piece except where noted</p>	Track*	Connector Plate <i>(for optional use, only in FT Kits)</i>	2 Hangers	All Fasteners	Spacers	Door Guides	End Stops	Instructions	Anti-Jump Blocks <i>(only in Flat Track Kits)</i>	
Track*	Connector Plate <i>(for optional use, only in FT Kits)</i>											
2 Hangers	All Fasteners											
Spacers	Door Guides											
End Stops	Instructions											
Anti-Jump Blocks <i>(only in Flat Track Kits)</i>												

HOW TO ORDER COMMON APPLICATIONS

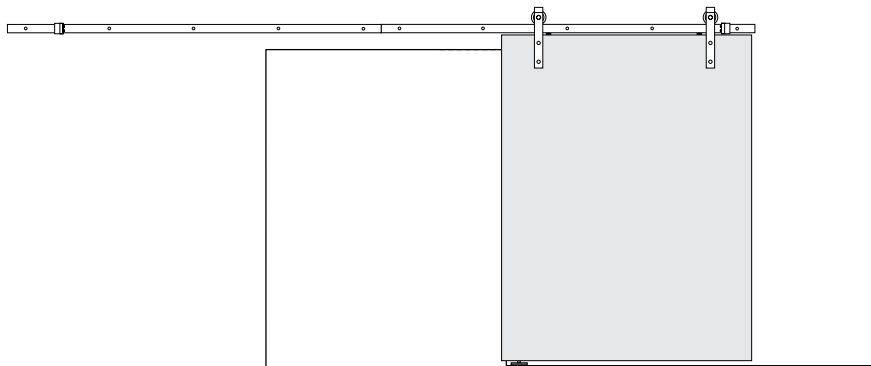
Doors not included.



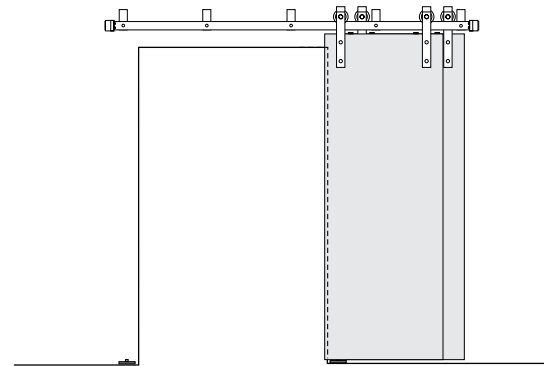
Single Door Covers Opening
Order 1 Complete Kit



Two Doors Covers Opening
Order 1 Complete Kit & 1 Double Door Kit



Single Door Covering A Wide Opening
Order 2 Complete Kits



Two Doors Covers Opening as Bypass
Order 2 Complete Kits & Bypass Brackets

More Ordering Examples

Order Standard Kit + order parts shown above

Example 1: Single Door with Softclose: Order 1 Complete Kit and Soft Close Adapter

Example 2: 2 Doors on single 8' Round Track: Order 1 8' Complete Kit, 2 hangers, 2 stops, 1 guide, 1 connector

Example 3: Horseshoe (or Spear) Hangers: Order FTST Complete Kit plus 2 Horseshoe Hangers

- Polymer Wheels for quiet operation
- 200 lbs per Door
- 6', 8' & 10' Options
- For Interior 1-3/8" or 1-3/4" Thick Doors
- All Fasteners Included, including optional connector plate
- Additional Options for: Soft Close & Soft Open, Double Door Applications, & Bypass Applications



PART NO.	DESCRIPTION	
FTST-BL-6	6' Black Flat Track Kit	
FTST-BL-78	6' 6" Black Flat Track Kit	
FTST-BL-8	8' Black Flat Track Kit	
FTST-OB-6	6' Oil-Rubbed Bronze Flat Track Kit	KITS CONTAIN: Track (40mm H x 6mm W), Traditional Hangers, Spacers, End Stops, Floor Guides, Anti-Jump Blocks, Track Connector, and all Necessary Fasteners
FTST-OB-8	8' Oil-Rubbed Bronze Flat Track Kit	
FTST-SS-6	6' Satin Stainless Flat Track Kit	
FTST-SS-8	8' Satin Stainless Flat Track Kit	
FTST-SN-6	6' Satin Nickel Flat Track Kit	
FTST-SN-8	8' Satin Nickel Flat Track Kit	

PART NO.	DESCRIPTION	
FTST-BL-8C	8' Black Flat Track Kit	KITS CONTAIN: Two 4' Tracks (40mm H x 6mm W), Traditional Hangers, Spacers, End Stops, Floor Guides, Anti-Jump Blocks, Track Connector, and all Necessary Fasteners
FTST-OB-8C	8' Oil-Rubbed Bronze Flat Track Kit	
FTST-SS-8C	8' Satin Stainless Flat Track Kit	
FTST-BL-10C	10' Black Flat Track Kit	KITS CONTAIN: Two 5' Tracks (40mm H x 6mm W), Traditional Hangers, Spacers, End Stops, Floor Guides, Anti-Jump Blocks, Track Connector, & all Necessary Fasteners
FTST-SS-10C	10' Satin Stainless Flat Track Kit	
FTST-SN-10C	10' Satin Nickel Flat Track Kit	

Finishes



See pages 12 and 13 for specifications and additional parts.

TOP MOUNT HANGER

Standard Kits

FLAT TRACK



- Polymer Wheels for quiet operation
- 200 lbs per Door
- 6'6" and 8' Options
- For Interior 1-3/8" or 1-3/4" Thick Doors Only
- All Fasteners Included, including optional connector plate
- Additional Options for: Soft Close & Soft Open, Double Door Applications, & Bypass Applications

Finishes



PART NO.	DESCRIPTION
FTTM-BL-6-6	6'6" Black Flat Track Kit
FTTM-BL-8	8' Black Flat Track Kit
FTTM-SS-6-6	6'6" Satin Stainless Flat Track Kit
FTTM-SS-8	8' Satin Stainless Flat Track Kit
FTTM-SN-6-6	6'6" Satin Nickel Flat Track Kit
FTTM-SN-8	8' Satin Nickel Flat Track Kit

KITS CONTAIN:
Track (40mm H x 6mm W), Top Mount Hangers, Spacers, End Stops, Floor Guides, Anti-Jump Blocks, Track Connector, and all Necessary Fasteners

PART NO.	DESCRIPTION
FTTM-BL-8C	8' Black Flat Track Kit
FTTM-SS-8C	8' Satin Stainless Flat Track Kit

KITS CONTAIN:
Two 4' Tracks (40mm H x 6mm W), Top Mount Hangers, Spacers, End Stops, Floor Guides, Anti-Jump Blocks, Track Connector, and all Necessary Fasteners

See pages 12 and 13 for specifications and additional parts.

SPOKE WHEEL HANGER

Standard Kits

- Polymer Wheels for quiet operation
- 200 lbs per Door
- 6' and 8' Options
- For Interior 1-3/8" or 1-3/4" Thick Doors
- All Fasteners Included
- Additional Options for: Soft Close & Soft Open & Double Door Applications
- Available only in Black

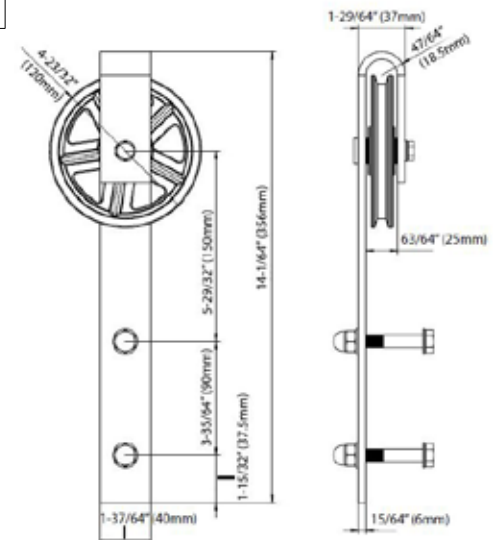


FLAT TRACK

PART NO.	DESCRIPTION	
FTSK-BL-6	6' Black Spoke Wheel Flat Track Kit	KITS CONTAIN: Track (40mm H x 6mm W), Spoke Wheel Hangers, Spacers, End Stops, Floor Guides, Anti-Jump Blocks, Track Connector, and all Necessary Fasteners
FTSK-BL-8	8' Black Spoke Wheel Flat Track Kit	
FTSK-BL-8C	8' Black Spoke Wheel Flat Track Kit	KITS CONTAIN: Two 4' Tracks (40mm H x 6mm W), Spoke Wheel Hangers, Spacers, End Stops, Floor Guides, Anti-Jump Blocks, Track Connector, and all Necessary Fasteners



See pages 12 and 13 for specifications and additional parts.



HANGER OPTIONS

Hangers Only - Order 2 Optional Hangers along with a Standard Kit

FLAT TRACK



Spear Hanger

- Polymer Wheels for quiet operation
- 200 lbs per Door
- For Interior 1-3/8" or 1 3/4" Thick Doors
- 2 lengths of door bolts included
- Order main track kit separately

PART NO.	FINISH	DESCRIPTION
FTSP-HANGER-BL	Black	Spear Hanger Option for Flat Track
FTSP-HANGER-OB	Oil-Rubbed Bronze	

Horse Shoe Hanger

- Polymer Wheels for quiet operation
- 200 lbs per Door
- For Interior 1-3/8" or 1 3/4" Thick Doors
- 2 lengths of door bolts included
- Order main track kit separately



PART NO.	FINISH	DESCRIPTION
FTHS-HANGER-BL	Black	Horse Shoe Hanger Option for Flat Track
FTHS-HANGER-OB	Oil-Rubbed Bronze	

See pages 12 and 13 for specifications and additional parts.

Order 2 Optional Hangers along with a Standard Kit

Double Door Hanger Kits for Flat Track

Add to a Complete Kit for applications of 2 doors on a single track



PART NO.	DESCRIPTION
FTST-DDK-BL	Black Standard Double Door Hanger Kit
FTST-DDK-OB	Oil-Rubbed Standard Bronze Double Door Hanger Kit
FTST-DDK-SN	Satin Nickel Standard Double Door Hanger Kit
FTST-DDK-SS	Stainless Steel Standard Double Door Hanger Kit
FTTM-DDK-BL	Black Top Mount Double Door Hanger Kit
FTTM-DDK-SS	Stainless Steel Top Mount Double Door Hanger Kit
FTSK-DDK-BL	Black Spoke Wheel Double Door Hanger Kit

KITS CONTAIN:
Two Hangers, Two End Stops, Two Floor Guide, Two Anti-Jump Blocks, and all Necessary Fasteners

For double door applications where kits are not available, order hangers, stops, guides, and anti-jump blocks.

Soft-Close & Open

- Closes door quietly and smoothly
- 2 per set, for soft close and soft open



PART NO.	FINISH	DESCRIPTION
FT-SOFTCLOSE-BL	Black	Soft-Close for Flat Track
FT-SOFTCLOSE-GR	Grey	Track (2/set)



Bypass Bracket

- Allows Two Doors to Bypass
- One Bypass Bracket Required for each Spacer
- 5 Brackets for 6' Track
- 5 Brackets for 6'6" Track
- 6 Brackets for 8' Track (8 & 8C)
- 8 Brackets for 10C Track (10C)

PART NO.	FINISH	DESCRIPTION
FTST-BYPASS-BL	Black	Bypass Bracket for Flat Track
FTST-BYPASS-OB	Oil-Rubbed Bronze	
FTST-BYPASS-SS	Satin Stainless	

ROUND STAINLESS STEEL TRACK

Standard Kits

STAINLESS ROUND TRACK



- Polymer Wheels for quiet operation
- 200 lbs per Door
- 6' and 8' Options
- For Interior 1-3/8" or 1-3/4" Thick Doors
- All Fasteners Included
- Quality Boxed Packaging
- Satin Stainless finish only

PART NO.	DESCRIPTION	HANGERS	
RDTM-SS-6	6' Satin Stainless Round Track Kit	Top-Mount Hangers	KITS CONTAINS: Track (25mm Dia x 2mm thick), Hangers, Spacers, End Stops, Floor Guide, and all Necessary Fasteners
RDTM-SS-6	6' Satin Stainless Round Track Kit	Top-Mount Hangers	
RDST-SS-6	6' Satin Stainless Round Track Kit	Drop Hangers	KITS CONTAINS: Track (25mm Dia x 2mm thick), Hangers, Spacers, End Stops, Floor Guide, and all Necessary Fasteners
RDST-SS-8	8' Satin Stainless Round Track Kit		

See pages 12 and 13 for specifications and additional parts.



- Polymer Wheels for quiet operation
- Built-In Soft Close & Open
- 200 lbs per Door
- 6' Option Only in Stainless Steel
- For Interior 1-3/8" or 1-3/4" Thick Doors
- All Fasteners Included

PART NO.	DESCRIPTION	HANGERS	
RDTMDS-SS-6	6' Satin Stainless Round Track with Built In Soft Close	Top Mount w/ Soft Close	KITS CONTAINS: Track (25mm Dia x 2mm thick), Hangers, Spacers, End Stops, Floor Guide, and all Necessary Fasteners

The RDTMDS-SS-6 is only available as a kit. The extra components shown on page 12 are not compatible with this track set.

SLIDING DOOR LOCKS & PULLS

Accessories for Sliding Track



AH-RECPULL-6.5



AH-PRIVLATCH



AH-WMADJ-BL



AH-RDPULL

MFG #	DESCRIPTION	FINISH
AH-RDPULL-BL	Round Pull, 1.89" Dia., Pair	Black (Stainless)
AH-RDPULL-SS		Stainless
AH-PRIVLATCH-BL	Privacy Latch for Sliding Doors	Black
AH-PRIVLATCH-SS		Stainless
AH-WMADJ-BL	Wall Mounted Door Guide	Black
AH-RECPULL-BL-6.5	Rectangular Pull, 6.5"	Black
AH-RECPULL-SS-6.5		Stainless
AH-RECPULL-BL-8	Rectangular Pull, 8"	Black
AH-RECPULL-SS-8		Stainless
AH-COMBOPULL-SS	12" Round Bar Pull & 8" Recessed Pull Combo	Stainless
AH-COMBOPULL-BL		Black
AH-COMBOSQ-SS	12" Square Bar Pull & 8" Recessed Pull Combo	Stainless
AH-COMBOSQ-BL		Black



AH-RECPULL-8



AH-COMBOPULL



AH-COMBOSQ

COMPONENT PARTS

For Flat Track and Round Stainless



Hangers

PART NO.	FINISH	DESCRIPTION
----------	--------	-------------

FLAT TRACK HANGERS

FTST-HANGER-BL	Black	
FTST-HANGER-OB	Oil-Rubbed Bronze	Traditional Drop Hanger Only
FTST-HANGER-SS	Stainless Steel	
FTST-HANGER-SN	Satin Nickel	
FTTM-HANGER-BL	Black	
FTTM-HANGER-SS	Satin Stainless	Top Mount Hanger Only
FTTM-HANGER-SN	Satin Nickel	
FTSK-HANGER-BL	Black	Spoke Wheel Hanger Only

PART NO.	FINISH	DESCRIPTION
FTHS-HANGER-BL	Black	Horseshoe Hanger Only
FTHS-HANGER-OB	Oil-Rubbed Bronze	
FTSP-HANGER-BL	Black	Spears Hanger Only
FTSP-HANGER-OB	Oil-Rubbed Bronze	

ROUND STAINLESS HANGERS

RDTM-HANGER-SS	Stainless Steel	Top Mount Hanger Only
RDST-HANGER-SS	Stainless Steel	Drop Hanger Only

Components

PHOTO	PART NO.	DESCRIPTION
-------	----------	-------------

Flat Track Additional Parts

	FTST-STOP-BL	Extra Stops for Flat Track
	FTST-STOP-OB	
	FTST-STOP-SS	
	FTST-STOP-SN	
	FT-GUIDE-BL	Extra Floor Guide, Black
	FT-ADJGD-BL	Adjustable Metal Guide, Black
	FT-METGD	Metal Guide, Black
	FT-BLOCK-BL	Anti-Jump Blocks, Black
	FT-CONNECT-BL	Connector Plate
	FT-CONNECT-OB	
	FT-CONNECT-SS	
	FTSK-STOP-BL	Extra Stop for Spoke Wheel Hanger, Black
	FT-WASHER-6-BL	6 mm Spacer Extender, 6/ Set
	FT-WASHER-6-OB	
	FT-WASHER-6-SS	
	FT-WASHER-6-SN	

PHOTO	PART NO.	DESCRIPTION
-------	----------	-------------

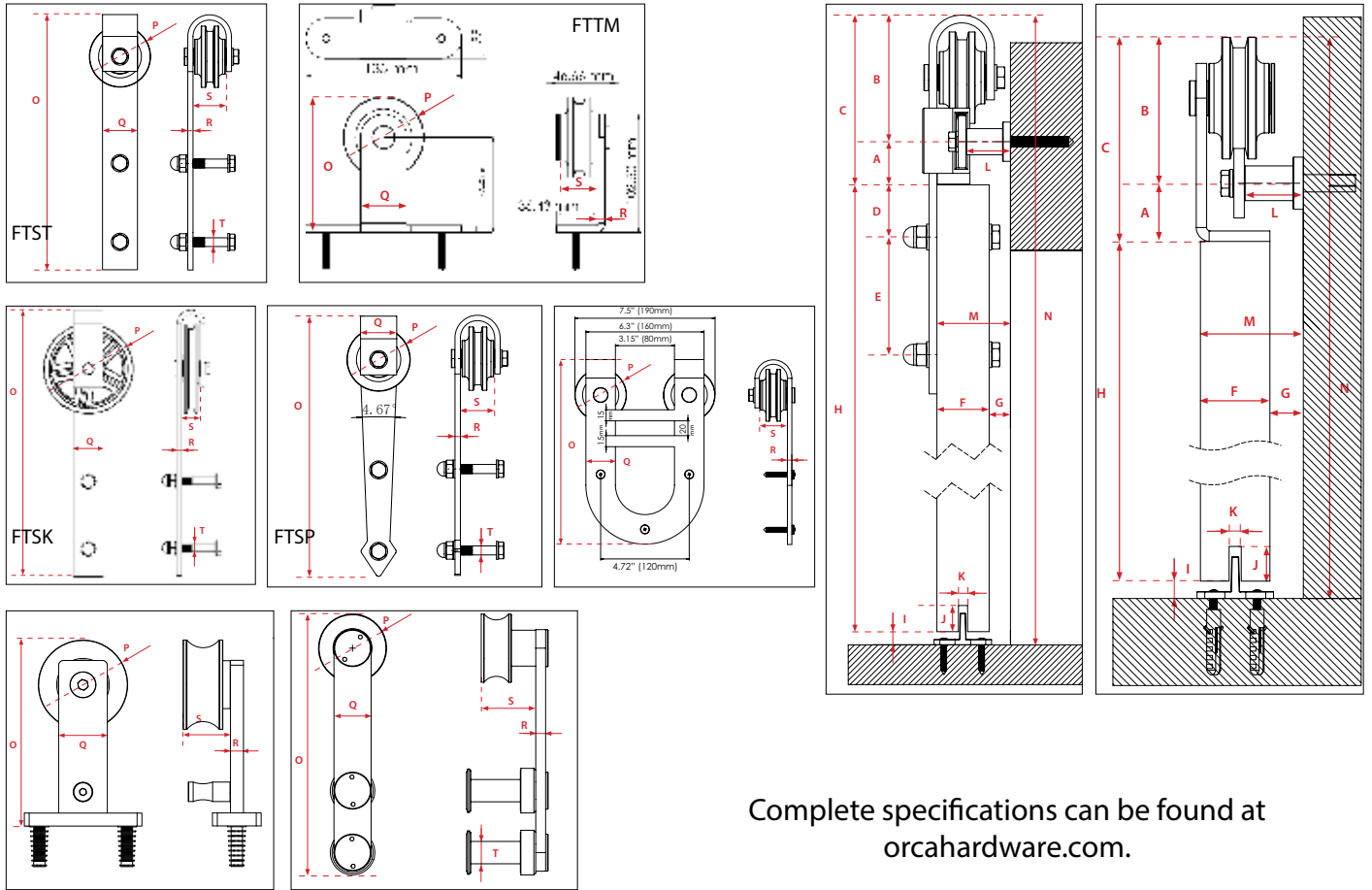
	FT-WASHER-14-BL	14 mm Spacer Extender & Lag, 6/Set
	FT-WASHER-14-OB	
	FT-WASHER-14-SS	
	FT-WASHER-14-SN	
	FTST-SPACER-BL	Track Spacer W/ Lag Bolt For 1-3/8 - 1-3/4" Door
	FTST-SPACER-OB	
	FTST-SPACER-SN	
	FTST-SPACER-SS	
	FTSK-SPACER-BL	

Round Track Additional Parts

	RD-CONNECT-SS	Round Track Connector for Combining Tracks, Stainless Steel
	RDST-STOP-SS	Extra Stop for Drop Hangers, Stainless Steel
	RDTML-STOP-SS RDTMR-STOP-SS	Extra Stops for Top Mount Hangers, Stainless Steel
	RD-GUIDE-SS	Extra Floor Guide, Stainless Steel
	RDST-MOUNT-SS	Mounting Bracket for RDTM-SS, Stainless Steel
	RDSTE-MOUNT-SS	Mounting Bracket for RDST-SS, Stainless Steel

SPECIFICATIONS

For Flat Track and Round Stainless



Complete specifications can be found at orcahardware.com.

Measurement	FTST	FTSM	FTSK	FTSP	FTMS	RDTM	R DST
A	1.299" / 33mm	1.319" / 33.5mm	1.299" / 33mm	1.299" / 33mm	1.299" / 33mm	2.047" / 52mm	.984" / 25mm
B	3.858" / 98mm	3.307" / 84mm	6.122" / 155.5mm	3.858" / 98mm	3.858" / 98mm	1.673" / 62.5mm	2.401" / 61.5mm
C	5.157" / 131mm	4.626" / 117.5mm	7.421" / 188.5mm	5.157" / 131mm	5.157" / 131mm	4.508" / 114.5mm	3.405" / 86.5mm
D	1.575" / 40mm	-	1.575" / 40mm	1.575" / 40mm	.965" / 24.5mm	-	2.165" / 55mm
E	3.543" / 90mm	-	3.543" / 90mm	3.543" / 90mm	2.933" / 74.5mm	-	1.968" / 50mm
F	Door Thickness						
G	2.205" - F / 56-F*mm	2.441" - F / 62-F*mm	2.185" - F / 55.5-F*mm	2.205" - F / 56-F*mm	2.205" - F / 56-F*mm	1.53" - F/2 / 38.9-F/2*mm	2.275" - F / 57.8-F*mm
H	Height of Door						
I	.394" / 10mm	.394" / 10mm	.394" / 10mm	.394" / 10mm	.394" / 10mm	.394" / 10mm	.394" / 10mm
J	.787" / 20mm	.787" / 20mm	.787" / 20mm	.787" / 20mm	.787" / 20mm	.787" / 20mm	0.787" / 20mm
K	.275" / 7mm	.275" / 7mm	.275" / 7mm	.275" / 7mm	.275" / 7mm	.275" / 7mm	.275" / 7mm
L	1.338" / 34mm	1.338" / 34mm	1.575" / 40mm	1.338" / 34mm	1.338" / 34mm	.7086" / 18mm	.984" / 25mm
M	2.205" / 56mm	2.441" / 62mm	2.185" / 55.5mm	2.205" / 56mm	2.205" / 56mm	(F/2)+1.53" / (F/2)+38.9mm	1.88" / 2.275" / 47.8 / 57.8 mm
N	H + 5.551" / H+141mm	H + 5.019" / H+127.5mm	H + 7.815" / H+198.5mm	H + 5.551" / H+141mm	H + 5.551" / H+141mm	H + 4.901" / H+124.5mm	H + 3.799" / H+96.5mm
O	11.417" / 290mm	4.626" / 117.5mm	14.0157" / 356mm	11.319" / 287.5mm	9.842" / 250mm	4.508" / 114.5mm	8.287" / 210.5mm
P	2.756" / 70 dia.mm	2.756" / 70 dia.mm	4.724" / 120 dia.mm	2.756" / 70 dia.mm	2.756" / 70 dia.mm	2.165" / 55 dia.mm	2.165" / 55 dia.mm
Q	1.575" / 40mm	1.575" / 40mm	1.575" / 40mm	1.575" / 40mm	1.575" / 40mm	1.181" / 30mm	1.181" / 30mm
R	.236" / 6mm	.236" / 6mm	.236" / 6mm	.236" / 6mm	.236" / 6mm	.315" / 8mm	.315" / 8mm
S	1.496" / 38mm	1.496" / 38mm	.984" / 25mm	1.496" / 38mm	1.496" / 38mm	1.145" / 29.1mm	1.771" / 45mm
T	.394" / 10 dia.mm	-	.394" / 10 dia.mm	.394" / 10 dia.mm	-	-	.708" / 18mm

CABINET FLAT TRACK KIT

Hangers & Hardware to Add a Second Door to a Track



CABINET FLAT TRACK



FTMM-MINI-BL-5



FTSP-MINI-BL-5



FTLO-MINI-SN-5



FTST-MINI-SN-5

COMPLETE KITS

Part Number	Description
FTST-MINI-BL-5	5 FT Black Flat Track with Standard Drop Hangers
FTST-MINI-SN-5	5 FT Satin Nickel Flat Track with Standard Drop Hangers
FTMM-MINI-BL-5	5 FT Black Flat Track with Top Mount Hangers
FTSP-MINI-BL-5	5 FT Black Flat Track with Spear Hangers
FTLO-MINI-BL-5	5 FT Black Flat Track with Long Drop Hangers



CABINET FLAT TRACK KIT

Standard Kits

CABINET FLAT TRACK

GENERAL INFORMATION

<p>APPLICATIONS:</p> <p>Cabinet Sliding Doors or Panels up to 60 lbs.</p> <p>Maximum Door Thickness: 1-3/8"</p> <p>Single door or double door</p>	<p>FINISHES:</p> <p>Single Door Flat Black Satin Nickel (Only available on standard hangers)</p> <p>Double Door Kits Flat Black Satin Nickel (Only available on standard hangers)</p>	<p>Single Door Track Kit includes:</p> <p>5' Track Hangers (2) Spacers End Stops</p> <p>Anti-Jump Blocks All Fasteners Door Guides Instructions</p> <p>Double Door Kit includes:</p> <p>Hangers (2) End Stops Anti-Jump Blocks</p> <p>All Fasteners Door Guides</p>
--	--	---

For information about Orca Hardware's product warranty visit www.orcahardware.com/warranty



FTLO-MINI-BL-5 and
FTLO-MINI-BL-DDK

HOW TO ORDER

Single Door Kits

Hanger Type	Finish	Doors
ST (Std Drop Hanger)	Flat Black	5' (Single Door)
TM (Top Mount)	Satin Nickel	
LO (Long Drop)		
SP (Spear)		

Double Door Applications

ORDER FULL SINGLE DOOR KIT + DOUBLE DOOR KIT

Hanger Type	Finish	Doors
ST (Std Drop Hanger)	Flat Black	DDK (Double Door)
TM (Top Mount)	Satin Nickel	
LO (Long Drop)		
SP (Spear)		



FTSP-MINI-BL-5 and
FTSP-MINI-BL-DDK

DOUBLE DOOR KITS

Part Number	Description
FTST-MINI-BL-DDK	Black Double Door Kit for Standard Drop Hangers
FTST-MINI-SN-DDK	Satin Nickel Double Door Kit for Standard Drop Hangers
FTTM-MINI-BL-DDK	Black Double Door Kit for Top Mount Hangers
FTSP-MINI-BL-DDK	Black Double Door Kit for Spear Hangers
FTLO-MINI-BL-DDK	Black Double Door Kit for Long Drop Hangers

POCKET DOOR HARDWARE

3-Wheel Hangers, 200 lbs Pocket Door Frame Kits



POCKET DOOR HARDWARE



PK1200-BB



PK1200-Track

Part Number	Description
-------------	-------------

POCKET DOOR FRAME COMPLETE KITS

PK1200-80-BB	6' 8" Pocket Door Frame Kit with 2 Ball Bearing Rollers, 200LB Capacity, for 2x4 Studs
PK1200-84-BB	7' Pocket Door Frame Kit with 2 Ball Bearing Rollers, 200LB Capacity, for 2x4 Studs
PK1200-96-BB	8' Pocket Door Frame Kit with 2 Ball Bearing Rollers, 200LB Capacity, for 2x4 Studs
PK1260-80-BB	6' 8" Pocket Door Frame Kit with 2 Ball Bearing Rollers, 200LB Capacity, for 2x6 Studs
PK1260-84-BB	7' Pocket Door Frame Kit with 2 Ball Bearing Rollers, 200LB Capacity, for 2x6 Studs
PK1260-96-BB	8' Pocket Door Frame Kit with 2 Ball Bearing Rollers, 200LB Capacity, for 2x6 Studs

BULK TRACK AND PARTS

PK1200-TR-48	48" Sliding Door Aluminum Track Only for 1225 Rollers
PK1200-TR-60	60" Sliding Door Aluminum Track Only for 1225 Rollers
PK1200-TR-72	72" Sliding Door Aluminum Track Only for 1225 Rollers
PK1200-TR-96	96" Sliding Door Aluminum Track Only for 1225 Rollers
PK-1225-KIT	Pocket Door Part Set, Triple Wheel Rollers & Hardware, 1" Ball Bearing Wheels, 200LB Capacity
PK-1225-BB	Single Roller Only, Triple Wheel Roller for Pocket Door, 1" Ball Bearing Wheel, 200LB Capacity
PKSC-1216	Soft Close for 1200 Series Track



PK-1225-KIT

See pages 21-22 for specifications and additional parts.



BYPASS DOOR HARDWARE

4 Wheel Hangers, 250 lbs Track & Hardware Kits

250 LB. BYPASS HARDWARE



BPK-1600



Part Number	Description
-------------	-------------

SLIDING DOOR HARDWARE SETS, 250 lbs

BPK1600-48	4' 4-Wheel Ball Bearing Bypass Door Hardware Complete Kit for 250 lbs
BPK1600-60	5' 4-Wheel Ball Bearing Bypass Door Hardware Complete Kit for 250 lbs
BPK1600-72	6' 4-Wheel Ball Bearing Bypass Door Hardware Complete Kit for 250 lbs

BULK TRACK AND PARTS

PK-1672	72" Track Only for 4 Wheel Roller
PK-1696	96" Track Only for 4 Wheel Roller
PK-1625-BB	Hardware Set for Sliding Pocket Door, 4 Wheel Ball Bearing Rollers and Hardware 250LB
PKSC-1616	Soft Close for 1600 Series Track



PK1600 Series Track



PK1625-BB Hardware Set



PKSC1616 Soft Close

See pages 21-22 for specifications and additional parts.

BYPASS DOOR HARDWARE

3-Wheel Hangers, 150 lbs Bypass Kits



150 LB. BYPASS KITS



Hangers & Stops
(flush pulls, floor guide & fasteners not shown)

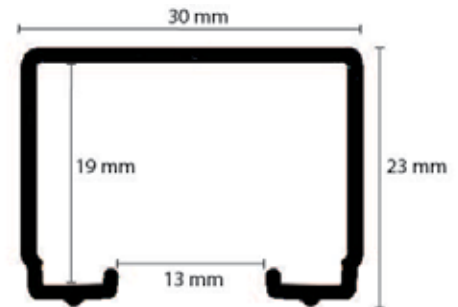


BPK1100 Track

Part Number	Description
SLIDING DOOR HARDWARE SETS WITH 3-WHEEL HANGERS	
BPK1100-48	Contains 2 48" Tracks, 4 3-wheel ball bearing hangers, stops, floor guide, pulls, wrench, fasteners
BPK1100-60	Contains 2 60" Tracks, 4 3-wheel ball bearing hangers, stops, floor guide, pulls, wrench, fasteners
BPK1100-72	Contains 2 72" Tracks, 4 3-wheel ball bearing hangers, stops, floor guide, pulls, wrench, fasteners
BPK1100-96	Contains 2 96" Tracks, 4 3-wheel ball bearing hangers, stops, floor guide, pulls, wrench, fasteners

Each Kit contains:

- 2 Tracks
- 4 each 3-wheel ball bearing hangers and plates
- 2 stops
- Floor guide
- 2 each 2-1/8" zinc pulls
- Wrench
- Screws & Fasteners



BPK1100
Track Profile

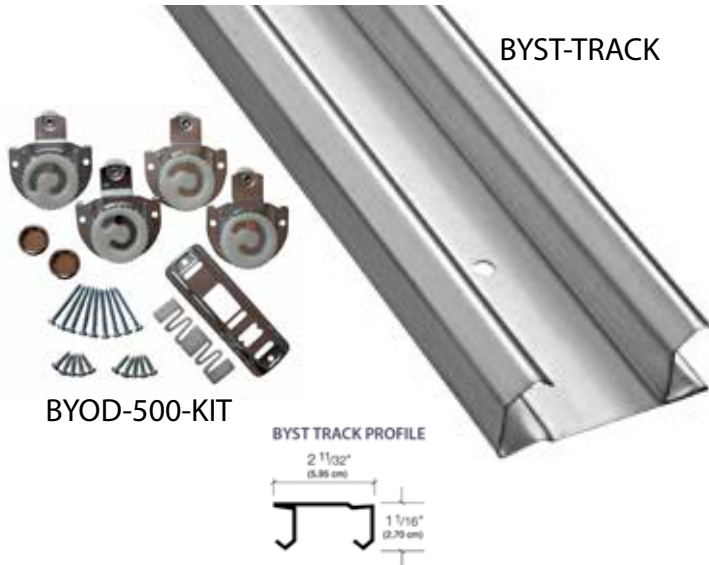
SPECIFICATIONS

- For two (2) Sliding Closet Doors each with a minimum door thickness of 1-3/8" weighing up to 150 lbs. each
- Four (4) 3-wheel hangers - 3/4" wheel diameter
- Galvanized Steel track is jump proof & resists corrosion

BYPASS DOOR HARDWARE

60 lbs Dial-Adjust Hangers

60 LB. DIAL ADJUST BYPASS



Part Number	Description
-------------	-------------

SLIDING DOOR HARDWARE SETS WITH DIAL-ADJUST HANGERS

BYST-500-48	48" Bypass Door Hardware Complete Kit Dial-Adjust Offset Dials, 60 lbs
BYST-500-60	60" Bypass Door Hardware Complete Kit Dial-Adjust Offset Dials, 60 lbs
BYST-500-72	72" Bypass Door Hardware Complete Kit Dial-Adjust Offset Dials, 60 lbs
BYST-500-96	96" Bypass Door Hardware Complete Kit Dial-Adjust Offset Dials, 60 lbs

SLIDING DOOR BULK TRACK AND DIAL-ADJUST HANGERS

BYST-48-01	48" Bypass Track Only For Either Dial-Adjust or Slot-Adjust Hangers
BYST-60-01	60" Bypass Track Only For Either Dial-Adjust or Slot-Adjust Hangers
BYST-72-01	72" Bypass Track Only For Either Dial-Adjust or Slot-Adjust Hangers
BYST-96-01	96" Bypass Track Only For Either Dial-Adjust or Slot-Adjust Hangers
BYOD-500-KIT	Bypass Door Rollers For 2 Piece Door W/ Floor Guide, 2-7/16" Dials, 2-1/8" Dials
BYOD1-716	Bypass Door Dial-Adjust #1 Hanger Only, Adjustable 7/16"
BYOD2-18	Bypass Door Dial-Adjust #2 Hanger Only, Adjustable 1/8"

SPECIFICATIONS

- For two (2) Sliding Closet Doors each with a thickness of 3/4" to 1-3/8" weighing up to 60 lbs. each
- Four (4) Dial-adjust hangers make it easy to adjust height and align doors without use of special tools. Up to 5/16" vertical door adjustment
- Galvanized Steel V-shaped track is jump proof & resists corrosion See pages 22 for additional specification

BYPASS DOOR HARDWARE

60 lbs Slot-Adjust Hangers

60 LB. SLOT ADJUST BYPASS



Part Number	Description
-------------	-------------

SLIDING DOOR HARDWARE SETS WITH SLOT ADJUST HANGERS

BY1300-48	48" Bypass Door Hardware Complete Kit Slot-Adjust Offset Dials, 60 lbs
BY1300-60	60" Bypass Door Hardware Complete Kit Slot-Adjust Offset Dials, 60 lbs
BY1300-72	72" Bypass Door Hardware Complete Kit Slot-Adjust Offset Dials, 60 lbs

SLIDING DOOR BULK TRACK AND SLOT-ADJUST HANGERS

BYST-48-01	48" Bypass Track Only For Either Dial-Adjust or Slot-Adjust Hangers
BYST-60-01	60" Bypass Track Only For Either Dial-Adjust or Slot-Adjust Hangers
BYST-72-01	72" Bypass Track Only For Either Dial-Adjust or Slot-Adjust Hangers
BYST-96-01	96" Bypass Track Only For Either Dial-Adjust or Slot-Adjust Hangers
BY1000-HDW	Hardware Kit for BYST Track Contains: 2ea 1/4" Offset Rollers & 2ea 1/2" Offset Rollers, Screws, 2ea Finger Pulls, and Floor Guide

SPECIFICATIONS

- For two (2) Sliding Closet Doors each with a thickness of 3/4" to 1-3/8" weighing up to 60 lbs. each
- Four (4) Adjustable hangers make it easy to adjust height and align doors without use of special tools. Up to 5/16" vertical door adjustment
- Galvanized Steel V-shaped track is jump proof & resists corrosion

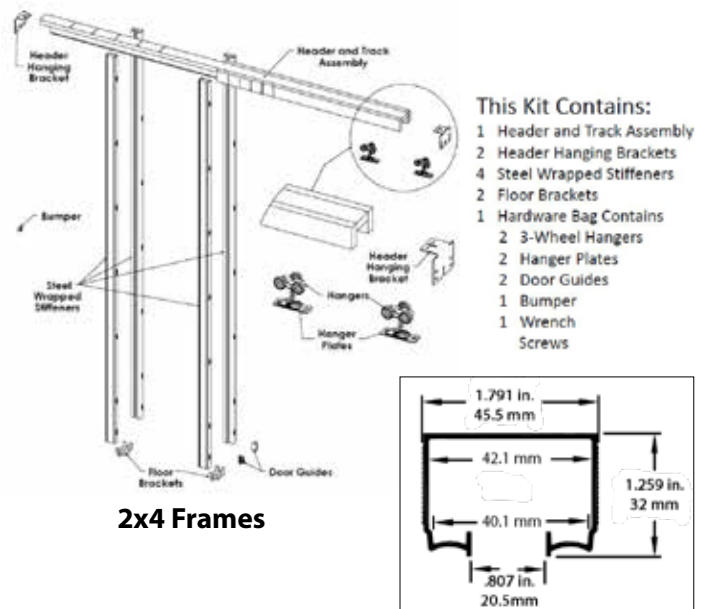
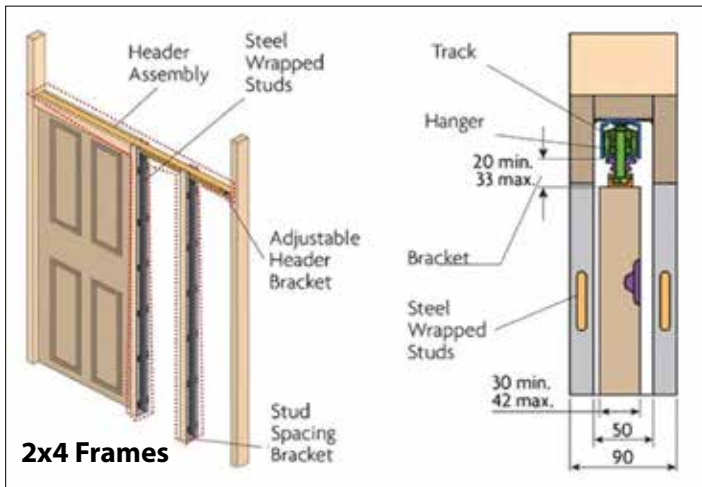
See pages 22 for additional specification

ADDITIONAL COMPONENT PARTS

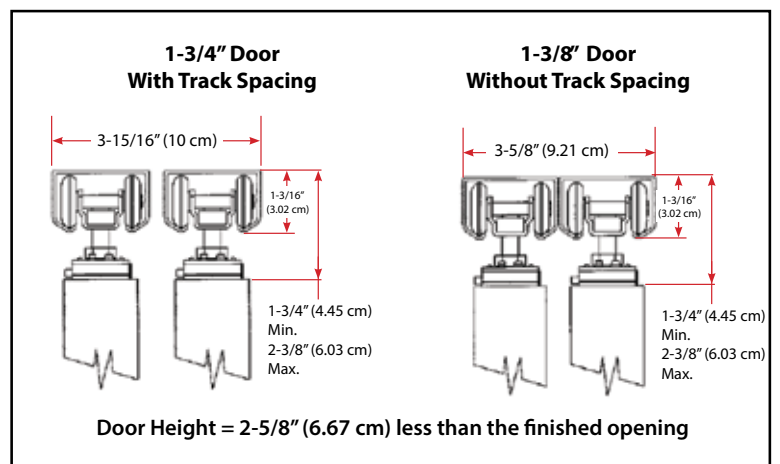
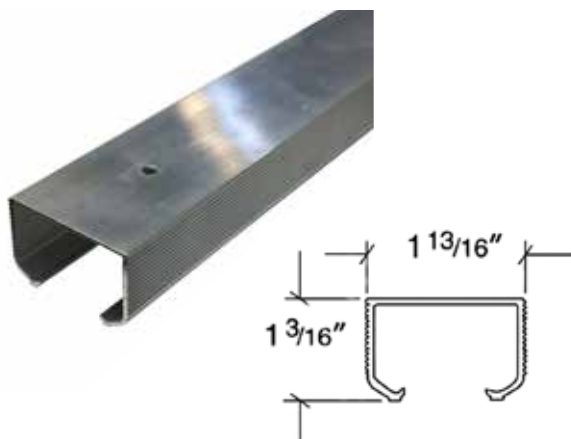
PART NO.	DESCRIPTION	
PK1211-VERG	Converging Door Kit for 1200 Pocket Door Frame	
PK1212-ADT	Door Adaptor Kit for 1 3/4" Door	
PK1213-ADJGD	Bottom Door Guides	
PK1214-STOP	Mill Stops for Converging Door	
PK1215-BUMP	Door Bumper	

PART NO.	DESCRIPTION	
PK1216-WGU	Wall Mounted Adjustable Door Guide; Plastic	
PK1217-FPSN	3/4" Finger Pulls for Bypass Doors; Satin Nickel	
PK1218-GU	Plastic Floor Guide with Screws	
BY-FLGU	Adjustable Floor Guide with Metal Bracket	

1200 SERIES SPECS



1600 SERIES SPECS



SPECIFICATIONS

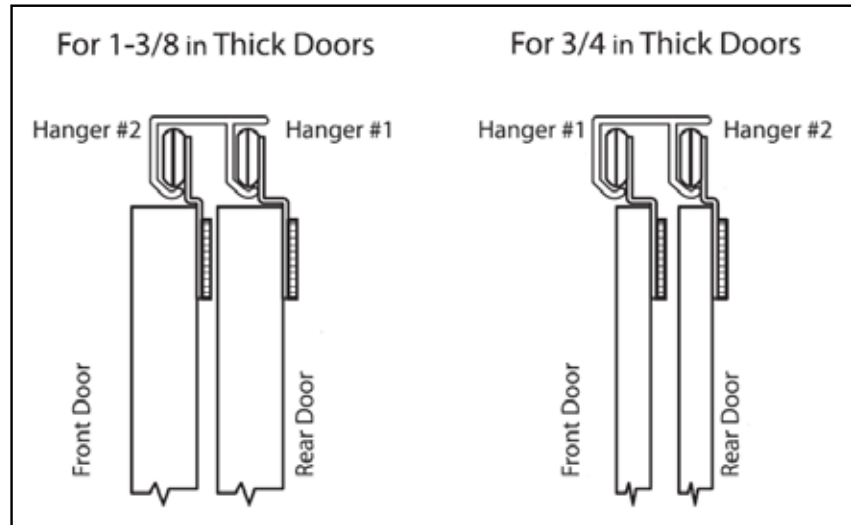
Pocket and Bypass Track Hardware

SPECIFICATIONS

- For two (2) Sliding Closet Doors each with a thickness of 3/4" to 1-3/8" weighing up to 60 lbs. each
- Four (4) Dial-adjust hangers make it easy to adjust height and align doors without use of special tools. Up to 5/16" vertical door adjustment
- Galvanized Steel V-shaped track is jump proof & resists corrosion

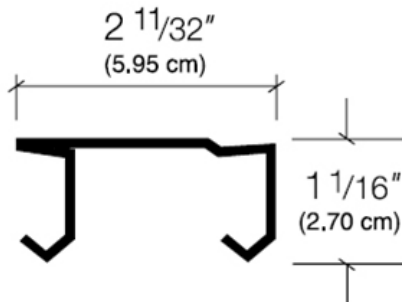
BYST-500 SERIES SPECS

DIAL ADJUST



BYST Track is used for both BYST-500 & BY1300 Series

BYST TRACK PROFILE



BY1300 SERIES SPECS

SLOT ADJUST

SPECIFICATIONS

- For two (2) Sliding Closet Doors each with a thickness of 3/4" to 1-3/8" weighing up to 60 lbs. each
- Four (4) Adjustable hangers make it easy to adjust height and align doors without use of special tools. Up to 5/16" vertical door adjustment
- Galvanized Steel V-shaped track is jump proof & resists corrosion

