

ORCA HARDWARE™



PRODUCT CATALOG

Table of Contents

| | |
|--|-------|
| Interior Flat and Round Track Hardware | |
| How to Order..... | 4 |
| Flat Track Kits..... | 5-7 |
| Hanger Options & Component Parts..... | 8-9 |
| Stainless Round Track Kits..... | 10 |
| Track Pulls and Accessories & Specs..... | 11-12 |
| Mini Flat Track Kits..... | 14-15 |
| Interior Pocket & Bypass Track Hardware | |
| Pocket Door Frame Kits..... | 16 |
| Sliding & Bypass Track | 17-20 |
| Component Parts & Specs..... | 21-22 |
| Bathroom Accessories | |
| Cypress..... | 25 |
| Waldron..... | 26 |
| Blakely..... | 27 |
| Whidbey..... | 28 |
| Swirl..... | 29 |
| Camano..... | 30 |
| Ripple..... | 31 |
| Vashon..... | 32 |

| | |
|------------------------------------|-----------|
| Door Hinges | |
| Residential Hinges..... | 34-36 |
| Commercial Hinges..... | 37-38 |
| Spring Hinges..... | 39-40 |
| Cabinet Hardware | |
| Bar & Wire Pulls..... | 44-45, 53 |
| Knobs & Pulls..... | 45-53 |
| Architectural Trim Hardware | |
| Residential Trim Hardware..... | 54-58 |
| Commercial Trim Hardware..... | 56 |
| Commercial Locks | |
| Captain..... | 60 |
| Admiral..... | 61 |
| Deadbolt and Accessories..... | 62-63 |
| Exit Devices | |
| Standard Duty Exit Devices..... | 66-68 |
| Heavy Duty Exit Devices..... | 69-72 |
| Door Closers | |
| BHDC 2011..... | 74 |
| BHDC 1958..... | 75 |
| Drop Plates | 76 |

Orca Hardware Warranty

Orca Hardware warrants its products manufactured to be free from defects in materials and workmanship for a period of ten (10) years from the date of purchase, except Orca Interior Track Hardware. Orca Hardware warrants its interior track products for two (2) years from the date of purchase.

This limited warranty does not cover products that (i) are not the proper size for the application; (ii) are not installed in accordance with Orca Hardware's published installation instructions; (iii) are installed with improper or incorrect parts [Note: It is recommended that the products be installed with the Orca Hardware fasteners provided with the product]; (iv) have been, in the opinion of Orca Hardware, modified, repaired, or altered in any way without the express written consent of Orca Hardware v) are used for purposes which they are not designed or intended; or (vi) are subjected to misuse, abuse, negligence, or accident. The following costs and expenses are not covered by the provisions of this limited warranty: (i) labor costs for the removal and reinstallation of products; (ii) shipping and freight expenses required to return products to Orca Hardware; (id) normal maintenance; and (iv) economic losses.

Orca Hardware will replace the products which, in the opinion of Orca Hardware, are found to be defective, provided said products are returned to an Orca Hardware Authorized Dealer. Contact your authorized Orca Hardware Distributor at 800-207-2297 for return information.

ORCA HARDWARE SHALL IN NO EVENT BE LIABLE FOR ANY INCIDENTAL, CONSEQUENTIAL, INDIRECT, SPECIAL, OR PUNITIVE DAMAGES FOR ANY CLAIM WHETHER BASED ON CONTRACT, WARRANTY, TORT (INCLUDING, BUT NOT LIMITED TO, STRICT LIABILITY OR NEGLIGENCE), PATENT INFRINGEMENT, OR OTHERWISE, EVEN IF ADVISED OF THE POSSIBILITY OF SUCH DAMAGES.

This limited warranty is in place of all other warranties, expressed or implied, and excludes any warranties of fitness for a particular purpose or merchantability. No agent, representative, dealer, or employee of Orca Hardware has the authority to increase or alter the obligations of this limited warranty.

Note: Should the Product be considered a "consumer product" as may be covered by the Magnuson-Moss Federal Warranty Act, please be advised that. (1) Some states do not allow limitations on incidental or consequential damages or how long an implied warranty lasts, so that the above limitations may not fully apply; and (2) This warranty gives specific legal rights and a user may have other rights which may vary from state to state.



orcahardware.com

INTERIOR FLAT & ROUND TRACK HARDWARE



POCKET, SLIDING, BYPASS TRACK HARDWARE

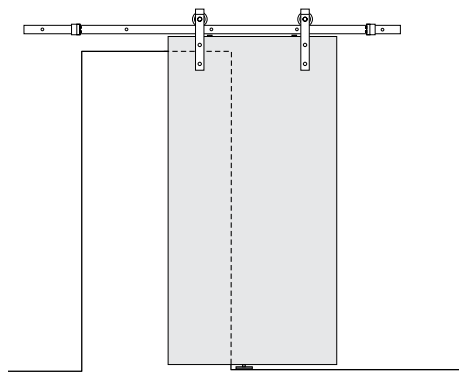


GENERAL INFORMATION

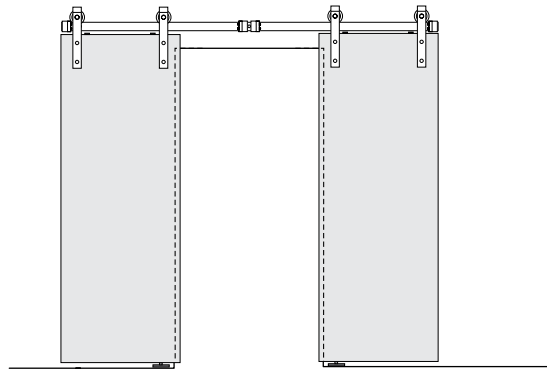
| | | | | | | | | | | | | |
|---|--|--|--------|---|-----------|---------------|---------|-------------|-----------|--------------|--|--|
| <p>APPLICATIONS:</p> <p>Interior Sliding Doors up to 200 lbs. Maximum Door Thickness: 1-3/4" 1 Door Standard 2 Door Option with either a double door kit or extra hangers, stops, guide</p> | <p>FINISHES:</p> <p>Flat Track Black Oil-Rubbed Bronze Satin Stainless Satin Nickel</p> <p>Round Track Stainless Steel</p> | <p>TRACK KITS INCLUDE:</p> <table border="0"> <tr> <td>Track*</td> <td>Connector Plate <i>(for optional use, only in FT Kits)</i></td> </tr> <tr> <td>2 Hangers</td> <td>All Fasteners</td> </tr> <tr> <td>Spacers</td> <td>Door Guides</td> </tr> <tr> <td>End Stops</td> <td>Instructions</td> </tr> <tr> <td>Anti-Jump Blocks <i>(only in Flat Track Kits)</i></td> <td></td> </tr> </table> <p style="text-align: right;">*1 piece except where noted</p> | Track* | Connector Plate <i>(for optional use, only in FT Kits)</i> | 2 Hangers | All Fasteners | Spacers | Door Guides | End Stops | Instructions | Anti-Jump Blocks <i>(only in Flat Track Kits)</i> | |
| Track* | Connector Plate <i>(for optional use, only in FT Kits)</i> | | | | | | | | | | | |
| 2 Hangers | All Fasteners | | | | | | | | | | | |
| Spacers | Door Guides | | | | | | | | | | | |
| End Stops | Instructions | | | | | | | | | | | |
| Anti-Jump Blocks <i>(only in Flat Track Kits)</i> | | | | | | | | | | | | |

HOW TO ORDER COMMON APPLICATIONS

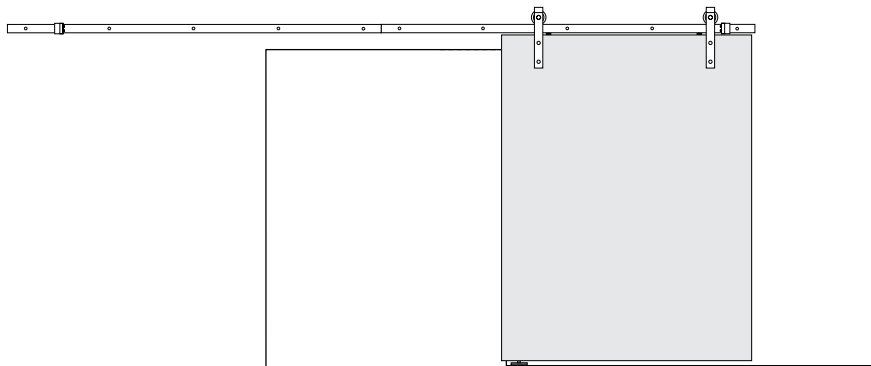
Doors not included.



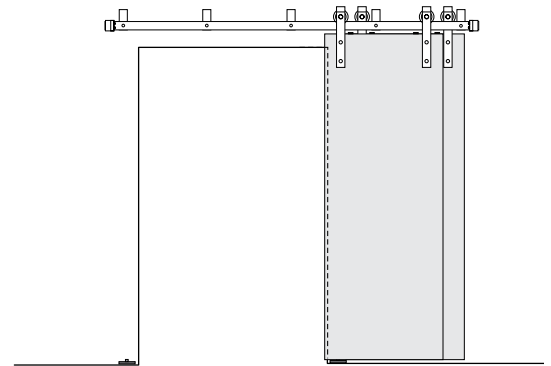
Single Door Covers Opening
Order 1 Complete Kit



Two Doors Covers Opening
Order 1 Complete Kit & 1 Double Door Kit



Single Door Covering A Wide Opening
Order 2 Complete Kits



Two Doors Covers Opening as Bypass
Order 2 Complete Kits & Bypass Brackets

More Ordering Examples

Order Standard Kit + order parts shown above

Example 1: Single Door with Softclose: Order 1 Complete Kit and Soft Close Adapter

Example 2: 2 Doors on single 8' Round Track: Order 1 8' Complete Kit, 2 hangers, 2 stops, 1 guide, 1 connector

Example 3: Horseshoe (or Spear) Hangers: Order FTST Complete Kit plus 2 Horseshoe Hangers

- Polymer Wheels for quiet operation
- 200 lbs per Door
- 6', 8' & 10' Options
- For Interior 1-3/8" or 1-3/4" Thick Doors
- All Fasteners Included, including optional connector plate
- Additional Options for: Soft Close & Soft Open, Double Door Applications, & Bypass Applications



| PART NO. | DESCRIPTION | |
|------------|-------------------------------------|---|
| FTST-BL-6 | 6' Black Flat Track Kit | |
| FTST-BL-78 | 6' 6" Black Flat Track Kit | |
| FTST-BL-8 | 8' Black Flat Track Kit | |
| FTST-OB-6 | 6' Oil-Rubbed Bronze Flat Track Kit | KITS CONTAIN: Track (40mm H x 6mm W), Traditional Hangers, Spacers, End Stops, Floor Guides, Anti-Jump Blocks, Track Connector, and all Necessary Fasteners |
| FTST-OB-8 | 8' Oil-Rubbed Bronze Flat Track Kit | |
| FTST-SS-6 | 6' Satin Stainless Flat Track Kit | |
| FTST-SS-8 | 8' Satin Stainless Flat Track Kit | |
| FTST-SN-6 | 6' Satin Nickel Flat Track Kit | |
| FTST-SN-8 | 8' Satin Nickel Flat Track Kit | |

Finishes



| PART NO. | DESCRIPTION | |
|-------------|-------------------------------------|---|
| FTST-BL-8C | 8' Black Flat Track Kit | KITS CONTAIN: Two 4' Tracks (40mm H x 6mm W), Traditional Hangers, Spacers, End Stops, Floor Guides, Anti-Jump Blocks, Track Connector, and all Necessary Fasteners |
| FTST-OB-8C | 8' Oil-Rubbed Bronze Flat Track Kit | |
| FTST-SS-8C | 8' Satin Stainless Flat Track Kit | |
| FTST-BL-10C | 10' Black Flat Track Kit | KITS CONTAIN: Two 5' Tracks (40mm H x 6mm W), Traditional Hangers, Spacers, End Stops, Floor Guides, Anti-Jump Blocks, Track Connector, & all Necessary Fasteners |
| FTST-SS-10C | 10' Satin Stainless Flat Track Kit | |
| FTST-SN-10C | 10' Satin Nickel Flat Track Kit | |



See pages 12 and 13 for specifications and additional parts.

TOP MOUNT HANGER

Standard Kits

FLAT TRACK



- Polymer Wheels for quiet operation
- 200 lbs per Door
- 6'6" and 8' Options
- For Interior 1-3/8" or 1-3/4" Thick Doors Only
- All Fasteners Included, including optional connector plate
- Additional Options for: Soft Close & Soft Open, Double Door Applications, & Bypass Applications

Finishes



| PART NO. | DESCRIPTION |
|-------------|-------------------------------------|
| FTTM-BL-6-6 | 6'6" Black Flat Track Kit |
| FTTM-BL-8 | 8' Black Flat Track Kit |
| FTTM-SS-6-6 | 6'6" Satin Stainless Flat Track Kit |
| FTTM-SS-8 | 8' Satin Stainless Flat Track Kit |
| FTTM-SN-6-6 | 6'6" Satin Nickel Flat Track Kit |
| FTTM-SN-8 | 8' Satin Nickel Flat Track Kit |

KITS CONTAIN:
Track (40mm H x 6mm W), Top Mount Hangers, Spacers, End Stops, Floor Guides, Anti-Jump Blocks, Track Connector, and all Necessary Fasteners

| PART NO. | DESCRIPTION |
|------------|-----------------------------------|
| FTTM-BL-8C | 8' Black Flat Track Kit |
| FTTM-SS-8C | 8' Satin Stainless Flat Track Kit |

KITS CONTAIN:
Two 4' Tracks (40mm H x 6mm W), Top Mount Hangers, Spacers, End Stops, Floor Guides, Anti-Jump Blocks, Track Connector, and all Necessary Fasteners

See pages 12 and 13 for specifications and additional parts.

SPOKE WHEEL HANGER

Standard Kits

- Polymer Wheels for quiet operation
- 200 lbs per Door
- 6' and 8' Options
- For Interior 1-3/8" or 1-3/4" Thick Doors
- All Fasteners Included
- Additional Options for: Soft Close & Soft Open & Double Door Applications
- Available only in Black

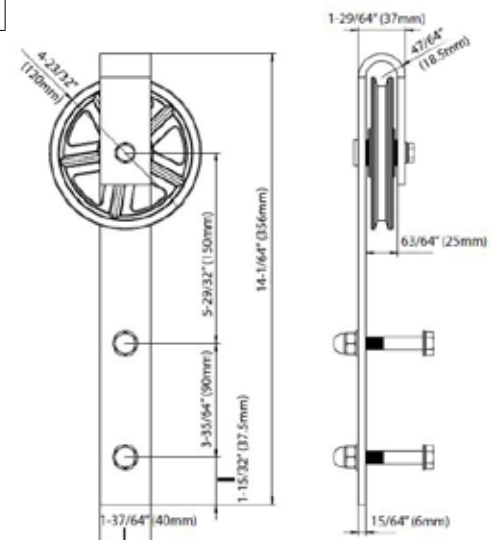


FLAT TRACK

| PART NO. | DESCRIPTION | |
|------------|-------------------------------------|---|
| FTSK-BL-6 | 6' Black Spoke Wheel Flat Track Kit | KITS CONTAIN: Track (40mm H x 6mm W), Spoke Wheel Hangers, Spacers, End Stops, Floor Guides, Anti-Jump Blocks, Track Connector, and all Necessary Fasteners |
| FTSK-BL-8 | 8' Black Spoke Wheel Flat Track Kit | |
| FTSK-BL-8C | 8' Black Spoke Wheel Flat Track Kit | KITS CONTAIN: Two 4' Tracks (40mm H x 6mm W), Spoke Wheel Hangers, Spacers, End Stops, Floor Guides, Anti-Jump Blocks, Track Connector, and all Necessary Fasteners |



See pages 12 and 13 for specifications and additional parts.



HANGER OPTIONS

Hangers Only - Order 2 Optional Hangers along with a Standard Kit

FLAT TRACK



Spear Hanger

- Polymer Wheels for quiet operation
- 200 lbs per Door
- For Interior 1-3/8" or 1 3/4" Thick Doors
- 2 lengths of door bolts included
- Order main track kit separately

| PART NO. | FINISH | DESCRIPTION |
|----------------|-------------------|------------------------------------|
| FTSP-HANGER-BL | Black | Spear Hanger Option for Flat Track |
| FTSP-HANGER-OB | Oil-Rubbed Bronze | |

Horse Shoe Hanger

- Polymer Wheels for quiet operation
- 200 lbs per Door
- For Interior 1-3/8" or 1 3/4" Thick Doors
- 2 lengths of door bolts included
- Order main track kit separately



See pages 12 and 13 for specifications and additional parts.

| PART NO. | FINISH | DESCRIPTION |
|----------------|-------------------|---|
| FTHS-HANGER-BL | Black | Horse Shoe Hanger Option for Flat Track |
| FTHS-HANGER-OB | Oil-Rubbed Bronze | |

Order 2 Optional Hangers along with a Standard Kit

Double Door Hanger Kits for Flat Track

Add to a Complete Kit for applications of 2 doors on a single track



| PART NO. | DESCRIPTION |
|-------------|---|
| FTST-DDK-BL | Black Standard Double Door Hanger Kit |
| FTST-DDK-OB | Oil-Rubbed Standard Bronze Double Door Hanger Kit |
| FTST-DDK-SN | Satin Nickel Standard Double Door Hanger Kit |
| FTST-DDK-SS | Stainless Steel Standard Double Door Hanger Kit |
| FTTM-DDK-BL | Black Top Mount Double Door Hanger Kit |
| FTTM-DDK-SS | Stainless Steel Top Mount Double Door Hanger Kit |
| FTSK-DDK-BL | Black Spoke Wheel Double Door Hanger Kit |

KITS CONTAIN:
Two Hangers, Two End Stops, Two Floor Guide, Two Anti-Jump Blocks, and all Necessary Fasteners

For double door applications where kits are not available, order hangers, stops, guides, and anti-jump blocks.

Soft-Close & Open

- Closes door quietly and smoothly
- 2 per set, for soft close and soft open



| PART NO. | FINISH | DESCRIPTION |
|-----------------|--------|---------------------------|
| FT-SOFTCLOSE-BL | Black | Soft-Close for Flat Track |
| FT-SOFTCLOSE-GR | Grey | Track (2/set) |



Bypass Bracket

- Allows Two Doors to Bypass
- One Bypass Bracket Required for each Spacer
- 5 Brackets for 6' Track
- 5 Brackets for 6'6" Track
- 6 Brackets for 8' Track (8 & 8C)
- 8 Brackets for 10C Track (10C)

| PART NO. | FINISH | DESCRIPTION |
|----------------|-------------------|-------------------------------|
| FTST-BYPASS-BL | Black | Bypass Bracket for Flat Track |
| FTST-BYPASS-OB | Oil-Rubbed Bronze | |
| FTST-BYPASS-SS | Satin Stainless | |

ROUND STAINLESS STEEL TRACK

Standard Kits

STAINLESS ROUND TRACK



- Polymer Wheels for quiet operation
- 200 lbs per Door
- 6' and 8' Options
- For Interior 1-3/8" or 1-3/4" Thick Doors
- All Fasteners Included
- Quality Boxed Packaging
- Satin Stainless finish only

| PART NO. | DESCRIPTION | HANGERS | |
|-----------|------------------------------------|-------------------|--|
| RDTM-SS-6 | 6' Satin Stainless Round Track Kit | Top-Mount Hangers | KITS CONTAINS: Track (25mm Dia x 2mm thick), Hangers, Spacers, End Stops, Floor Guide, and all Necessary Fasteners |
| RDTM-SS-6 | 6' Satin Stainless Round Track Kit | Top-Mount Hangers | |
| RDST-SS-6 | 6' Satin Stainless Round Track Kit | Drop Hangers | KITS CONTAINS: Track (25mm Dia x 2mm thick), Hangers, Spacers, End Stops, Floor Guide, and all Necessary Fasteners |
| RDST-SS-8 | 8' Satin Stainless Round Track Kit | | |

See pages 12 and 13 for specifications and additional parts.



- Polymer Wheels for quiet operation
- Built-In Soft Close & Open
- 200 lbs per Door
- 6' Option Only in Stainless Steel
- For Interior 1-3/8" or 1-3/4" Thick Doors
- All Fasteners Included

| PART NO. | DESCRIPTION | HANGERS | |
|-------------|---|-------------------------|--|
| RDTMDS-SS-6 | 6' Satin Stainless Round Track with Built In Soft Close | Top Mount w/ Soft Close | KITS CONTAINS: Track (25mm Dia x 2mm thick), Hangers, Spacers, End Stops, Floor Guide, and all Necessary Fasteners |

The RDTMDS-SS-6 is only available as a kit. The extra components shown on page 12 are not compatible with this track set.

SLIDING DOOR LOCKS & PULLS

Accessories for Sliding Track



AH-RECPULL-6.5



AH-PRIVLATCH



AH-WMADJ-BL



AH-RDPULL

| MFG # | DESCRIPTION | FINISH |
|-------------------|--|-------------------|
| AH-RDPULL-BL | Round Pull, 1.89" Dia., Pair | Black (Stainless) |
| AH-RDPULL-SS | | Stainless |
| AH-PRIVLATCH-BL | Privacy Latch for Sliding Doors | Black |
| AH-PRIVLATCH-SS | | Stainless |
| AH-WMADJ-BL | Wall Mounted Door Guide | Black |
| AH-RECPULL-BL-6.5 | Rectangular Pull, 6.5" | Black |
| AH-RECPULL-SS-6.5 | | Stainless |
| AH-RECPULL-BL-8 | Rectangular Pull, 8" | Black |
| AH-RECPULL-SS-8 | | Stainless |
| AH-COMBOPULL-SS | 12" Round Bar Pull & 8" Recessed Pull Combo | Stainless |
| AH-COMBOPULL-BL | | Black |
| AH-COMBOSQ-SS | 12" Square Bar Pull & 8" Recessed Pull Combo | Stainless |
| AH-COMBOSQ-BL | | Black |



AH-RECPULL-8



AH-COMBOPULL



AH-COMBOSQ

COMPONENT PARTS

For Flat Track and Round Stainless



Hangers

| PART NO. | FINISH | DESCRIPTION |
|----------|--------|-------------|
|----------|--------|-------------|

FLAT TRACK HANGERS

| | | |
|----------------|-------------------|------------------------------|
| FTST-HANGER-BL | Black | |
| FTST-HANGER-OB | Oil-Rubbed Bronze | Traditional Drop Hanger Only |
| FTST-HANGER-SS | Stainless Steel | |
| FTST-HANGER-SN | Satin Nickel | |
| FTTM-HANGER-BL | Black | |
| FTTM-HANGER-SS | Satin Stainless | Top Mount Hanger Only |
| FTTM-HANGER-SN | Satin Nickel | |
| FTSK-HANGER-BL | Black | Spoke Wheel Hanger Only |

| PART NO. | FINISH | DESCRIPTION |
|----------------|-------------------|-----------------------|
| FTHS-HANGER-BL | Black | Horseshoe Hanger Only |
| FTHS-HANGER-OB | Oil-Rubbed Bronze | |
| FTSP-HANGER-BL | Black | Spears Hanger Only |
| FTSP-HANGER-OB | Oil-Rubbed Bronze | |

ROUND STAINLESS HANGERS

| | | |
|----------------|-----------------|-----------------------|
| RDTM-HANGER-SS | Stainless Steel | Top Mount Hanger Only |
| RDST-HANGER-SS | Stainless Steel | Drop Hanger Only |

Components

| PHOTO | PART NO. | DESCRIPTION |
|-------|----------|-------------|
|-------|----------|-------------|

Flat Track Additional Parts

| | | |
|--|----------------|--|
| | FTST-STOP-BL | Extra Stops for Flat Track |
| | FTST-STOP-OB | |
| | FTST-STOP-SS | |
| | FTST-STOP-SN | |
| | FT-GUIDE-BL | Extra Floor Guide, Black |
| | FT-ADJGD-BL | Adjustable Metal Guide, Black |
| | FT-METGD | Metal Guide, Black |
| | FT-BLOCK-BL | Anti-Jump Blocks, Black |
| | FT-CONNECT-BL | Connector Plate |
| | FT-CONNECT-OB | |
| | FT-CONNECT-SS | |
| | FTSK-STOP-BL | Extra Stop for Spoke Wheel Hanger, Black |
| | FT-WASHER-6-BL | 6 mm Spacer Extender, 6/ Set |
| | FT-WASHER-6-OB | |
| | FT-WASHER-6-SS | |
| | FT-WASHER-6-SN | |

| PHOTO | PART NO. | DESCRIPTION |
|-------|----------|-------------|
|-------|----------|-------------|

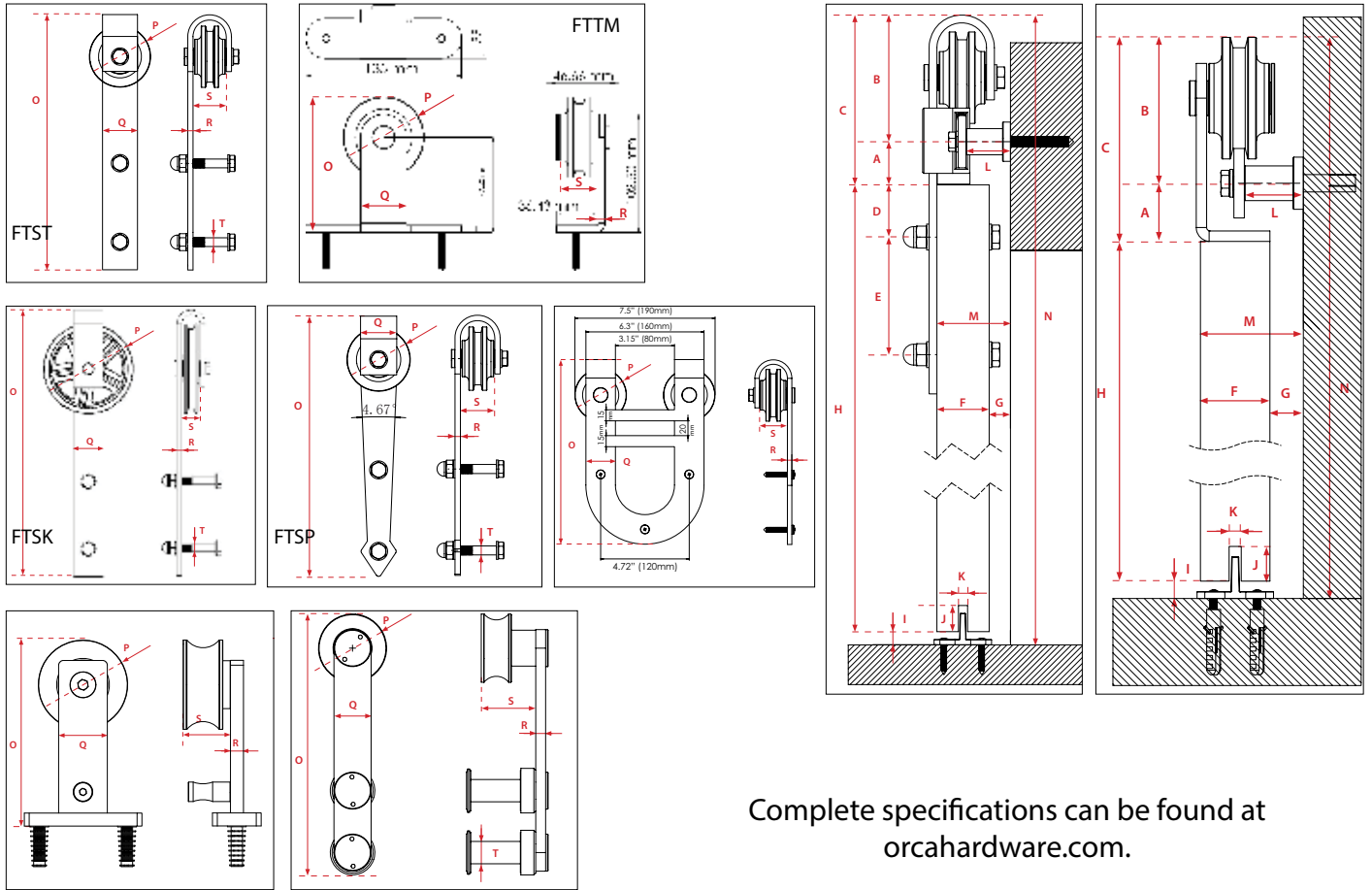
| | | |
|--|-----------------|--|
| | FT-WASHER-14-BL | 14 mm Spacer Extender & Lag, 6/Set |
| | FT-WASHER-14-OB | |
| | FT-WASHER-14-SS | |
| | FT-WASHER-14-SN | |
| | FTST-SPACER-BL | Track Spacer W/ Lag Bolt For 1-3/8 - 1-3/4" Door |
| | FTST-SPACER-OB | |
| | FTST-SPACER-SN | |
| | FTST-SPACER-SS | |
| | FTSK-SPACER-BL | |

Round Track Additional Parts

| | | |
|--|--------------------------------|---|
| | RD-CONNECT-SS | Round Track Connector for Combining Tracks, Stainless Steel |
| | RDST-STOP-SS | Extra Stop for Drop Hangers, Stainless Steel |
| | RDTML-STOP-SS RDTMR-STOP-SS | Extra Stops for Top Mount Hangers, Stainless Steel |
| | RD-GUIDE-SS | Extra Floor Guide, Stainless Steel |
| | RDST-MOUNT-SS | Mounting Bracket for RDTM-SS, Stainless Steel |
| | RDSTE-MOUNT-SS | Mounting Bracket for RDST-SS, Stainless Steel |

SPECIFICATIONS

For Flat Track and Round Stainless



Complete specifications can be found at orcahardware.com.

| Measurement | FTST | FTSM | FTSK | FTSP | FTMS | RDTM | RDST |
|-------------|----------------------|------------------------|------------------------|----------------------|----------------------|----------------------------|---------------------------------|
| A | 1.299" / 33mm | 1.319" / 33.5mm | 1.299" / 33mm | 1.299" / 33mm | 1.299" / 33mm | 2.047" / 52mm | .984" / 25mm |
| B | 3.858" / 98mm | 3.307" / 84mm | 6.122" / 155.5mm | 3.858" / 98mm | 3.858" / 98mm | 1.673" / 62.5mm | 2.401" / 61.5mm |
| C | 5.157" / 131mm | 4.626" / 117.5mm | 7.421" / 188.5mm | 5.157" / 131mm | 5.157" / 131mm | 4.508" / 114.5mm | 3.405" / 86.5mm |
| D | 1.575" / 40mm | - | 1.575" / 40mm | 1.575" / 40mm | .965" / 24.5mm | - | 2.165" / 55mm |
| E | 3.543" / 90mm | - | 3.543" / 90mm | 3.543" / 90mm | 2.933" / 74.5mm | - | 1.968" / 50mm |
| F | Door Thickness | | | | | | |
| G | 2.205" - F / 56-F*mm | 2.441" - F / 62-F*mm | 2.185" - F / 55.5-F*mm | 2.205" - F / 56-F*mm | 2.205" - F / 56-F*mm | 1.53" - F/2 / 38.9-F/2*mm | 2.275" - F / 57.8-F*mm |
| H | Height of Door | | | | | | |
| I | .394" / 10mm | .394" / 10mm | .394" / 10mm | .394" / 10mm | .394" / 10mm | .394" / 10mm | .394" / 10mm |
| J | .787" / 20mm | .787" / 20mm | .787" / 20mm | .787" / 20mm | .787" / 20mm | .787" / 20mm | 0.787" / 20mm |
| K | .275" / 7mm | .275" / 7mm | .275" / 7mm | .275" / 7mm | .275" / 7mm | .275" / 7mm | .275" / 7mm |
| L | 1.338" / 34mm | 1.338" / 34mm | 1.575" / 40mm | 1.338" / 34mm | 1.338" / 34mm | .7086" / 18mm | .984" / 25mm |
| M | 2.205" / 56mm | 2.441" / 62mm | 2.185" / 55.5mm | 2.205" / 56mm | 2.205" / 56mm | (F/2)+1.53" / (F/2)+38.9mm | 1.88" / 2.275" / 47.8 / 57.8^mm |
| N | H + 5.551" / H+141mm | H + 5.019" / H+127.5mm | H + 7.815" / H+198.5mm | H + 5.551" / H+141mm | H + 5.551" / H+141mm | H + 4.901" / H+124.5mm | H + 3.799" / H+96.5mm |
| O | 11.417" / 290mm | 4.626" / 117.5mm | 14.0157" / 356mm | 11.319" / 287.5mm | 9.842" / 250mm | 4.508" / 114.5mm | 8.287" / 210.5mm |
| P | 2.756" / 70 dia.mm | 2.756" / 70 dia.mm | 4.724" / 120 dia.mm | 2.756" / 70 dia.mm | 2.756" / 70 dia.mm | 2.165" / 55 dia.mm | 2.165" / 55 dia.mm |
| Q | 1.575" / 40mm | 1.575" / 40mm | 1.575" / 40mm | 1.575" / 40mm | 1.575" / 40mm | 1.181" / 30mm | 1.181" / 30mm |
| R | .236" / 6mm | .236" / 6mm | .236" / 6mm | .236" / 6mm | .236" / 6mm | .315" / 8mm | .315" / 8mm |
| S | 1.496" / 38mm | 1.496" / 38mm | .984" / 25mm | 1.496" / 38mm | 1.496" / 38mm | 1.145" / 29.1mm | 1.771" / 45mm |
| T | .394" / 10 dia.mm | - | .394" / 10 dia.mm | .394" / 10 dia.mm | - | - | .708" / 18mm |

CABINET FLAT TRACK KIT

Hangers & Hardware to Add a Second Door to a Track



CABINET FLAT TRACK



FTMM-MINI-BL-5



FTSP-MINI-BL-5



FTLO-MINI-SN-5



FTST-MINI-SN-5

COMPLETE KITS

| Part Number | Description |
|----------------|---|
| FTST-MINI-BL-5 | 5 FT Black Flat Track with Standard Drop Hangers |
| FTST-MINI-SN-5 | 5 FT Satin Nickel Flat Track with Standard Drop Hangers |
| FTMM-MINI-BL-5 | 5 FT Black Flat Track with Top Mount Hangers |
| FTSP-MINI-BL-5 | 5 FT Black Flat Track with Spear Hangers |
| FTLO-MINI-BL-5 | 5 FT Black Flat Track with Long Drop Hangers |



CABINET FLAT TRACK KIT

Standard Kits

CABINET FLAT TRACK

GENERAL INFORMATION

| | | |
|--|--|---|
| <p>APPLICATIONS:</p> <p>Cabinet Sliding Doors or Panels up to 60 lbs.</p> <p>Maximum Door Thickness: 1-3/8"</p> <p>Single door or double door</p> | <p>FINISHES:</p> <p>Single Door Flat Black Satin Nickel (Only available on standard hangers)</p> <p>Double Door Kits Flat Black Satin Nickel (Only available on standard hangers)</p> | <p>Single Door Track Kit includes:</p> <p>5' Track Hangers (2) Spacers End Stops</p> <p>Anti-Jump Blocks All Fasteners Door Guides Instructions</p> <p>Double Door Kit includes:</p> <p>Hangers (2) End Stops Anti-Jump Blocks</p> <p>All Fasteners Door Guides</p> |
|--|--|---|

For information about Orca Hardware's product warranty visit www.orcahardware.com/warranty



FTLO-MINI-BL-5 and
FTLO-MINI-BL-DDK

HOW TO ORDER

Single Door Kits

| Hanger Type | Finish | Doors |
|----------------------|--------------|------------------|
| ST (Std Drop Hanger) | Flat Black | 5' (Single Door) |
| TM (Top Mount) | Satin Nickel | |
| LO (Long Drop) | | |
| SP (Spear) | | |

Double Door Applications

ORDER FULL SINGLE DOOR KIT + DOUBLE DOOR KIT

| Hanger Type | Finish | Doors |
|----------------------|--------------|-------------------|
| ST (Std Drop Hanger) | Flat Black | DDK (Double Door) |
| TM (Top Mount) | Satin Nickel | |
| LO (Long Drop) | | |
| SP (Spear) | | |



FTSP-MINI-BL-5 and
FTSP-MINI-BL-DDK

DOUBLE DOOR KITS

| Part Number | Description |
|------------------|--|
| FTST-MINI-BL-DDK | Black Double Door Kit for Standard Drop Hangers |
| FTST-MINI-SN-DDK | Satin Nickel Double Door Kit for Standard Drop Hangers |
| FTTM-MINI-BL-DDK | Black Double Door Kit for Top Mount Hangers |
| FTSP-MINI-BL-DDK | Black Double Door Kit for Spear Hangers |
| FTLO-MINI-BL-DDK | Black Double Door Kit for Long Drop Hangers |

POCKET DOOR HARDWARE

3-Wheel Hangers, 200 lbs Pocket Door Frame Kits



POCKET DOOR HARDWARE



PK1200-BB



PK1200-Track

| Part Number | Description |
|-------------|-------------|
|-------------|-------------|

POCKET DOOR FRAME COMPLETE KITS

| | |
|--------------|--|
| PK1200-80-BB | 6' 8" Pocket Door Frame Kit with 2 Ball Bearing Rollers, 200LB Capacity, for 2x4 Studs |
| PK1200-84-BB | 7' Pocket Door Frame Kit with 2 Ball Bearing Rollers, 200LB Capacity, for 2x4 Studs |
| PK1200-96-BB | 8' Pocket Door Frame Kit with 2 Ball Bearing Rollers, 200LB Capacity, for 2x4 Studs |
| PK1260-80-BB | 6' 8" Pocket Door Frame Kit with 2 Ball Bearing Rollers, 200LB Capacity, for 2x6 Studs |
| PK1260-84-BB | 7' Pocket Door Frame Kit with 2 Ball Bearing Rollers, 200LB Capacity, for 2x6 Studs |
| PK1260-96-BB | 8' Pocket Door Frame Kit with 2 Ball Bearing Rollers, 200LB Capacity, for 2x6 Studs |

BULK TRACK AND PARTS

| | |
|--------------|--|
| PK1200-TR-48 | 48" Sliding Door Aluminum Track Only for 1225 Rollers |
| PK1200-TR-60 | 60" Sliding Door Aluminum Track Only for 1225 Rollers |
| PK1200-TR-72 | 72" Sliding Door Aluminum Track Only for 1225 Rollers |
| PK1200-TR-96 | 96" Sliding Door Aluminum Track Only for 1225 Rollers |
| PK-1225-KIT | Pocket Door Part Set, Triple Wheel Rollers & Hardware, 1" Ball Bearing Wheels, 200LB Capacity |
| PK-1225-BB | Single Roller Only, Triple Wheel Roller for Pocket Door, 1" Ball Bearing Wheel, 200LB Capacity |
| PKSC-1216 | Soft Close for 1200 Series Track |



PK-1225-KIT

See pages 21-22 for specifications and additional parts.



BYPASS DOOR HARDWARE

4 Wheel Hangers, 250 lbs Track & Hardware Kits

250 LB. BYPASS HARDWARE



BPK-1600



| Part Number | Description |
|-------------|-------------|
|-------------|-------------|

SLIDING DOOR HARDWARE SETS, 250 lbs

| | |
|------------|---|
| BPK1600-48 | 4' 4-Wheel Ball Bearing Bypass Door Hardware Complete Kit for 250 lbs |
| BPK1600-60 | 5' 4-Wheel Ball Bearing Bypass Door Hardware Complete Kit for 250 lbs |
| BPK1600-72 | 6' 4-Wheel Ball Bearing Bypass Door Hardware Complete Kit for 250 lbs |

BULK TRACK AND PARTS

| | |
|------------|---|
| PK-1672 | 72" Track Only for 4 Wheel Roller |
| PK-1696 | 96" Track Only for 4 Wheel Roller |
| PK-1625-BB | Hardware Set for Sliding Pocket Door, 4 Wheel Ball Bearing Rollers and Hardware 250LB |
| PKSC-1616 | Soft Close for 1600 Series Track |



PK1600 Series Track



PK1625-BB Hardware Set



PKSC1616 Soft Close

See pages 21-22 for specifications and additional parts.

BYPASS DOOR HARDWARE

3-Wheel Hangers, 150 lbs Bypass Kits



150 LB. BYPASS KITS



Hangers & Stops
(flush pulls, floor guide & fasteners not shown)

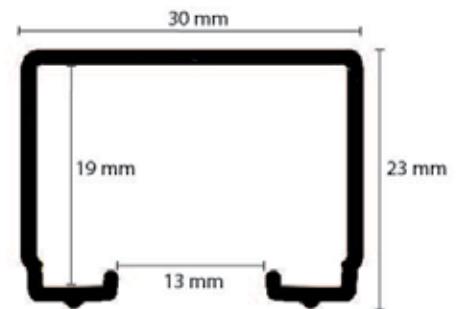


BPK1100 Track

| Part Number | Description |
|--|---|
| SLIDING DOOR HARDWARE SETS WITH 3-WHEEL HANGERS | |
| BPK1100-48 | Contains 2 48" Tracks, 4 3-wheel ball bearing hangers, stops, floor guide, pulls, wrench, fasteners |
| BPK1100-60 | Contains 2 60" Tracks, 4 3-wheel ball bearing hangers, stops, floor guide, pulls, wrench, fasteners |
| BPK1100-72 | Contains 2 72" Tracks, 4 3-wheel ball bearing hangers, stops, floor guide, pulls, wrench, fasteners |
| BPK1100-96 | Contains 2 96" Tracks, 4 3-wheel ball bearing hangers, stops, floor guide, pulls, wrench, fasteners |

Each Kit contains:

- 2 Tracks
- 4 each 3-wheel ball bearing hangers and plates
- 2 stops
- Floor guide
- 2 each 2-1/8" zinc pulls
- Wrench
- Screws & Fasteners



BPK1100
Track Profile

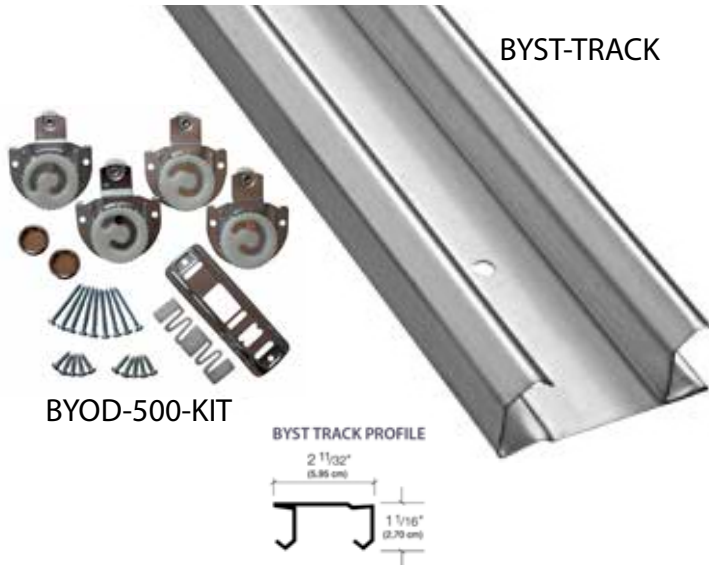
SPECIFICATIONS

- For two (2) Sliding Closet Doors each with a minimum door thickness of 1-3/8" weighing up to 150 lbs. each
- Four (4) 3-wheel hangers - 3/4" wheel diameter
- Galvanized Steel track is jump proof & resists corrosion

BYPASS DOOR HARDWARE

60 lbs Dial-Adjust Hangers

60 LB. DIAL ADJUST BYPASS



| Part Number | Description |
|-------------|-------------|
|-------------|-------------|

SLIDING DOOR HARDWARE SETS WITH DIAL-ADJUST HANGERS

| | |
|-------------|--|
| BYST-500-48 | 48" Bypass Door Hardware Complete Kit Dial-Adjust Offset Dials, 60 lbs |
| BYST-500-60 | 60" Bypass Door Hardware Complete Kit Dial-Adjust Offset Dials, 60 lbs |
| BYST-500-72 | 72" Bypass Door Hardware Complete Kit Dial-Adjust Offset Dials, 60 lbs |
| BYST-500-96 | 96" Bypass Door Hardware Complete Kit Dial-Adjust Offset Dials, 60 lbs |

SLIDING DOOR BULK TRACK AND DIAL-ADJUST HANGERS

| | |
|--------------|--|
| BYST-48-01 | 48" Bypass Track Only For Either Dial-Adjust or Slot-Adjust Hangers |
| BYST-60-01 | 60" Bypass Track Only For Either Dial-Adjust or Slot-Adjust Hangers |
| BYST-72-01 | 72" Bypass Track Only For Either Dial-Adjust or Slot-Adjust Hangers |
| BYST-96-01 | 96" Bypass Track Only For Either Dial-Adjust or Slot-Adjust Hangers |
| BYOD-500-KIT | Bypass Door Rollers For 2 Piece Door W/ Floor Guide, 2-7/16" Dials, 2-1/8" Dials |
| BYOD1-716 | Bypass Door Dial-Adjust #1 Hanger Only, Adjustable 7/16" |
| BYOD2-18 | Bypass Door Dial-Adjust #2 Hanger Only, Adjustable 1/8" |

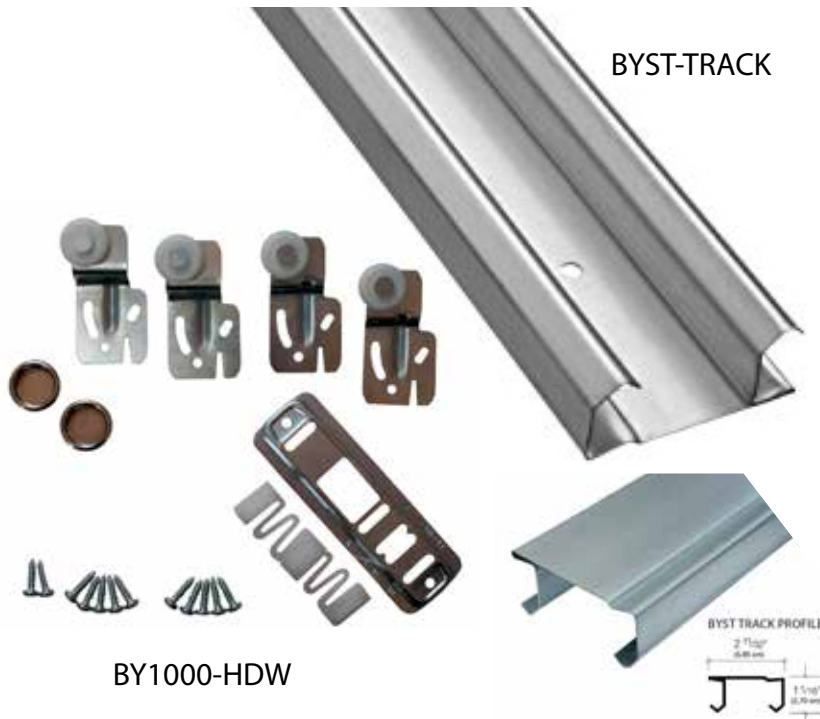
SPECIFICATIONS

- For two (2) Sliding Closet Doors each with a thickness of 3/4" to 1-3/8" weighing up to 60 lbs. each
- Four (4) Dial-adjust hangers make it easy to adjust height and align doors without use of special tools. Up to 5/16" vertical door adjustment
- Galvanized Steel V-shaped track is jump proof & resists corrosion See pages 22 for additional specification

BYPASS DOOR HARDWARE

60 lbs Slot-Adjust Hangers

60 LB. SLOT ADJUST BYPASS



| Part Number | Description |
|-------------|-------------|
|-------------|-------------|

SLIDING DOOR HARDWARE SETS WITH SLOT ADJUST HANGERS

| | |
|-----------|--|
| BY1300-48 | 48" Bypass Door Hardware Complete Kit Slot-Adjust Offset Dials, 60 lbs |
| BY1300-60 | 60" Bypass Door Hardware Complete Kit Slot-Adjust Offset Dials, 60 lbs |
| BY1300-72 | 72" Bypass Door Hardware Complete Kit Slot-Adjust Offset Dials, 60 lbs |

SLIDING DOOR BULK TRACK AND SLOT-ADJUST HANGERS

| | |
|------------|--|
| BYST-48-01 | 48" Bypass Track Only For Either Dial-Adjust or Slot-Adjust Hangers |
| BYST-60-01 | 60" Bypass Track Only For Either Dial-Adjust or Slot-Adjust Hangers |
| BYST-72-01 | 72" Bypass Track Only For Either Dial-Adjust or Slot-Adjust Hangers |
| BYST-96-01 | 96" Bypass Track Only For Either Dial-Adjust or Slot-Adjust Hangers |
| BY1000-HDW | Hardware Kit for BYST Track Contains: 2ea 1/4" Offset Rollers & 2ea 1/2" Offset Rollers, Screws, 2ea Finger Pulls, and Floor Guide |

SPECIFICATIONS

- For two (2) Sliding Closet Doors each with a thickness of 3/4" to 1-3/8" weighing up to 60 lbs. each
- Four (4) Adjustable hangers make it easy to adjust height and align doors without use of special tools. Up to 5/16" vertical door adjustment
- Galvanized Steel V-shaped track is jump proof & resists corrosion

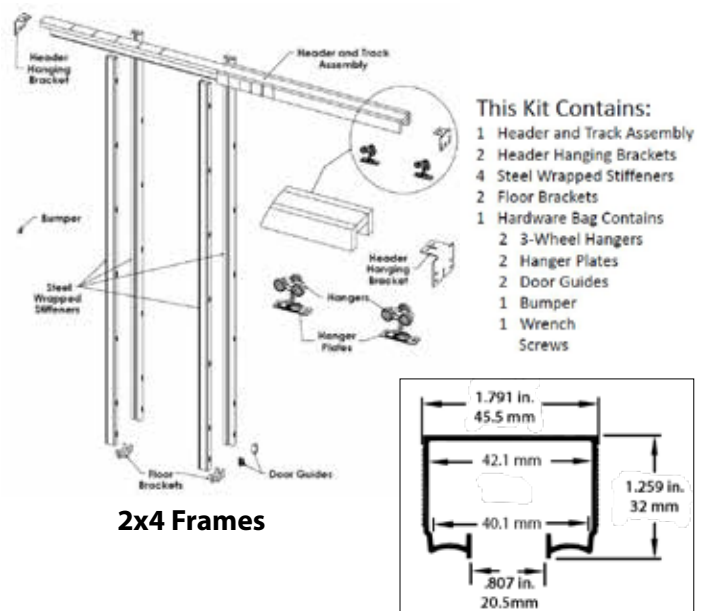
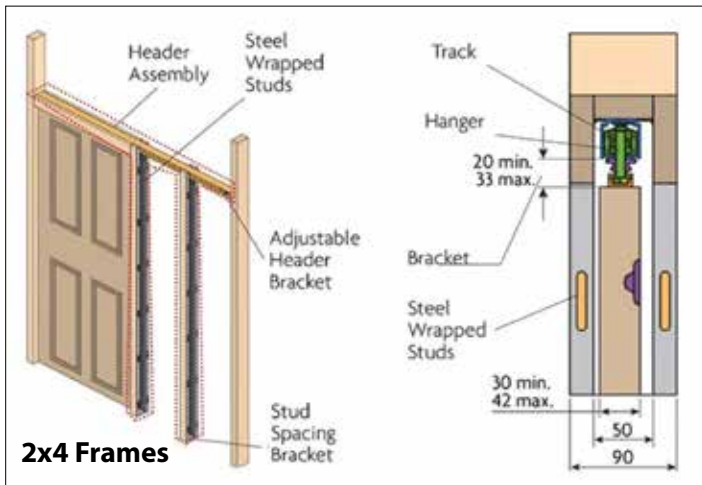
See pages 22 for additional specification

ADDITIONAL COMPONENT PARTS

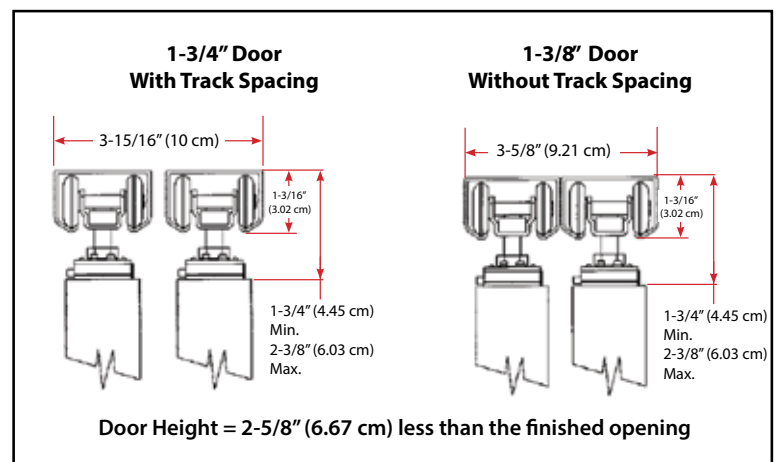
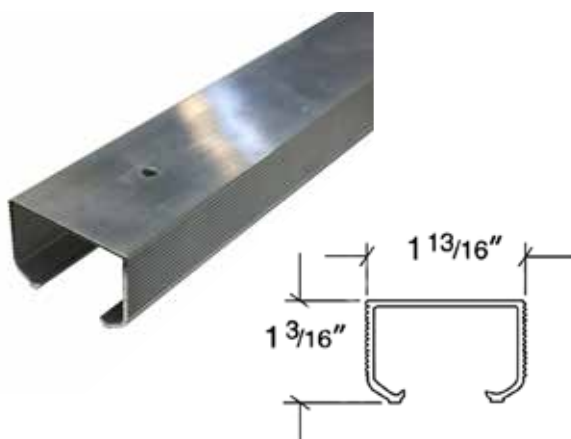
| PART NO. | DESCRIPTION | |
|--------------|--|---|
| PK1211-VERG | Converging Door Kit for 1200 Pocket Door Frame |  |
| PK1212-ADT | Door Adaptor Kit for 1 3/4" Door |  |
| PK1213-ADJGD | Bottom Door Guides |  |
| PK1214-STOP | Mill Stops for Converging Door |  |
| PK1215-BUMP | Door Bumper |  |

| PART NO. | DESCRIPTION | |
|-------------|--|---|
| PK1216-WGU | Wall Mounted Adjustable Door Guide; Plastic |  |
| PK1217-FPSN | 3/4" Finger Pulls for Bypass Doors; Satin Nickel |  |
| PK1218-GU | Plastic Floor Guide with Screws |  |
| BY-FLGU | Adjustable Floor Guide with Metal Bracket |  |

1200 SERIES SPECS



1600 SERIES SPECS



SPECIFICATIONS

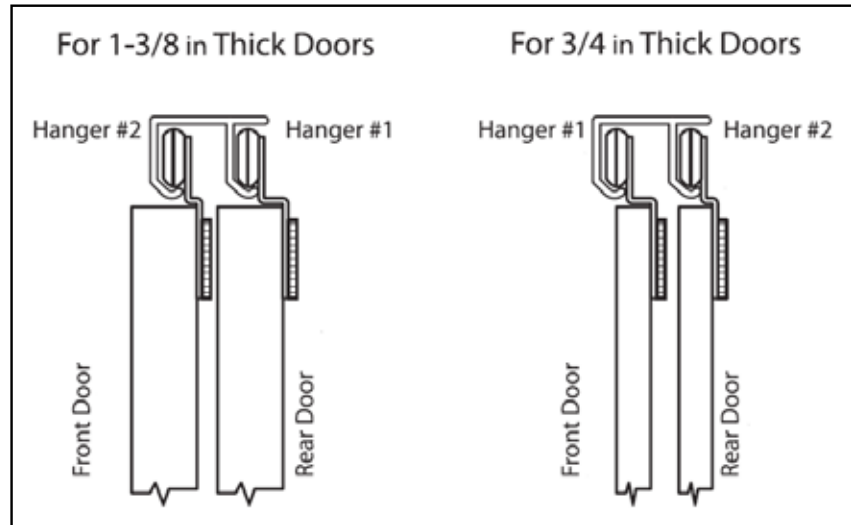
Pocket and Bypass Track Hardware

SPECIFICATIONS

- For two (2) Sliding Closet Doors each with a thickness of 3/4" to 1-3/8" weighing up to 60 lbs. each
- Four (4) Dial-adjust hangers make it easy to adjust height and align doors without use of special tools. Up to 5/16" vertical door adjustment
- Galvanized Steel V-shaped track is jump proof & resists corrosion

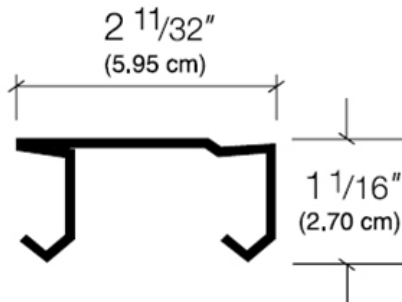
BYST-500 SERIES SPECS

DIAL ADJUST



BYST Track is used for both BYST-500 & BY1300 Series

BYST TRACK PROFILE

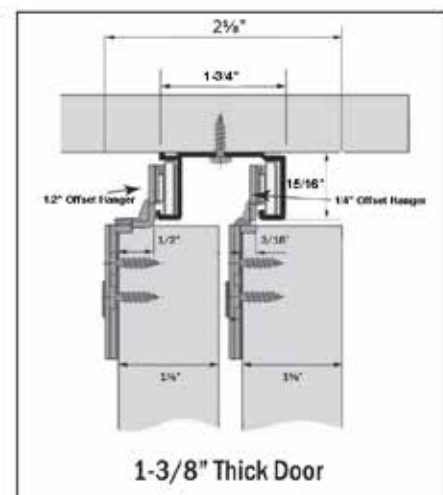
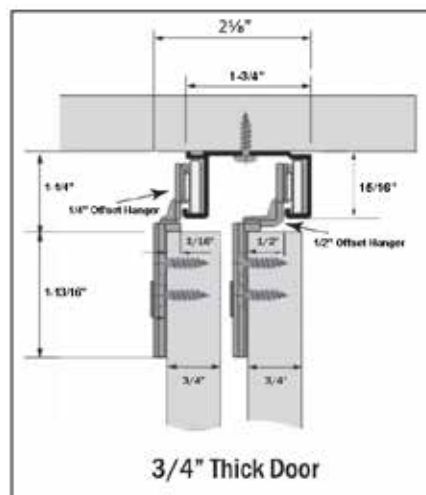


BY1300 SERIES SPECS

SLOT ADJUST

SPECIFICATIONS

- For two (2) Sliding Closet Doors each with a thickness of 3/4" to 1-3/8" weighing up to 60 lbs. each
- Four (4) Adjustable hangers make it easy to adjust height and align doors without use of special tools. Up to 5/16" vertical door adjustment
- Galvanized Steel V-shaped track is jump proof & resists corrosion

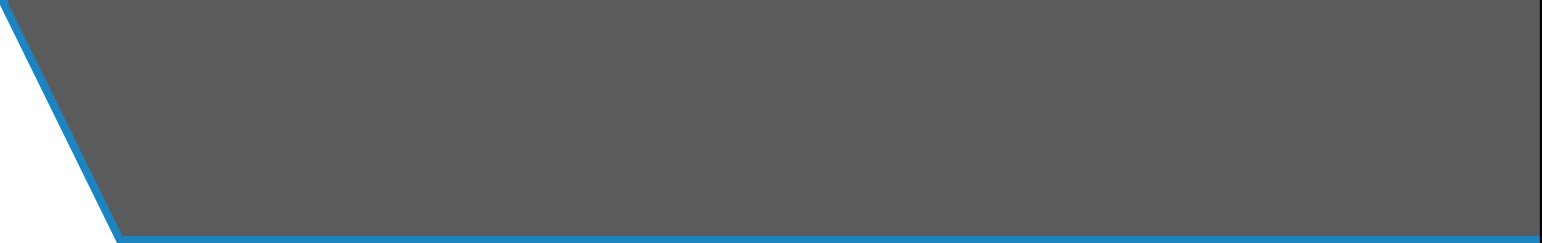


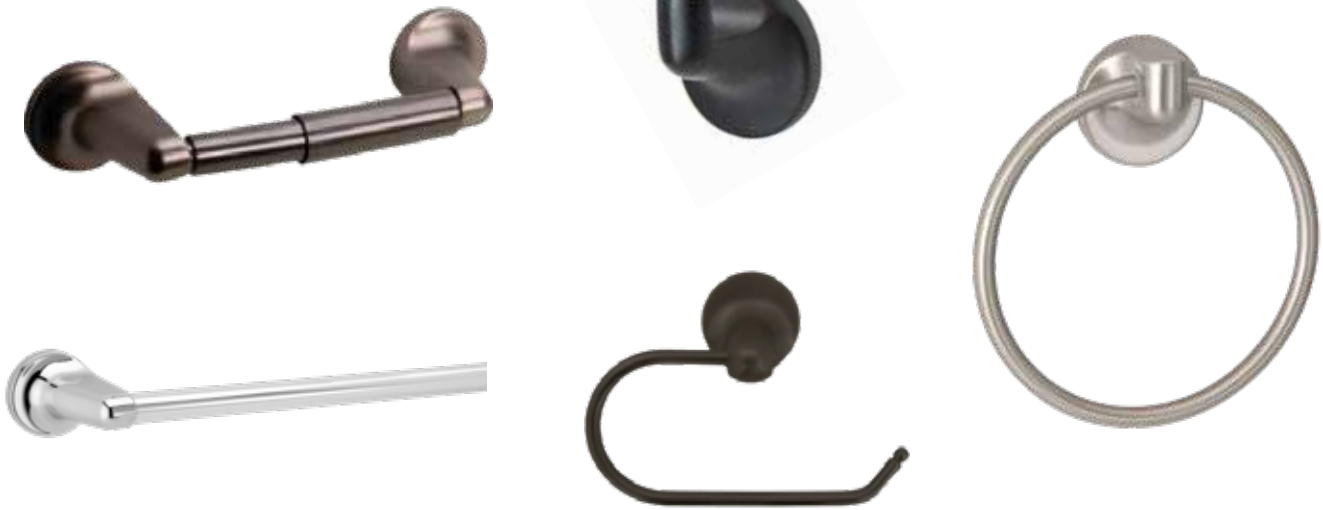
BATHROOM ACCESSORIES



ORCA
HARDWARE™







| Part No. | Description | Finish |
|----------|--|--------------------|
| 2718CH | 18" Towel Bar Set | Polished Chrome |
| 2724CH | 24" Towel Bar Set | |
| 2730CH | 30" Towel Bar Set | |
| 2752CH | Toilet Paper Holder W/ Plastic Tube | |
| 2753CH | Robe Hook | |
| 2755CH | Euro T/P Holder | |
| 2760CH | Towel Ring | |



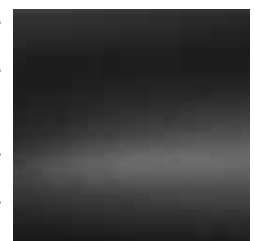
| Part No. | Description | Finish |
|----------|--|-----------------|
| 2718SN | 18" Towel Bar Set | Satin Nickel |
| 2724SN | 24" Towel Bar Set | |
| 2730SN | 30" Towel Bar Set | |
| 2752SN | Toilet Paper Holder W/ Plastic Tube | |
| 2753SN | Robe Hook | |
| 2755SN | Euro T/P Holder | |
| 2760SN | Towel Ring | |



| Part No. | Description | Finish |
|----------|--|----------------------|
| 2718ORB | 18" Towel Bar Set | Oil-Rubbed Bronze |
| 2724ORB | 24" Towel Bar Set | |
| 2730ORB | 30" Towel Bar Set | |
| 2752ORB | Toilet Paper Holder W/ Plastic Tube | |
| 2753ORB | Robe Hook | |
| 2755ORB | Euro T/P Holder | |
| 2760ORB | Towel Ring | |



| Part No. | Description | Finish |
|----------|--|-------------|
| 2724BL | 24" Towel Bar Set | Matte Black |
| 2730BL | 30" Towel Bar Set | |
| 2752BL | Toilet Paper Holder W/ Plastic Tube | |
| 2753BL | Robe Hook | |
| 2755BL | Euro T/P Holder | |
| 2760BL | Towel Ring | |



Orca Bath Accessories are polybagged with carded hang tag. 10 each per box.
Cypress rose diameter: 2-1/4"



| Part No. | Description | Finish |
|----------|-------------------------------------|-----------------|
| 9118CH | 18" Towel Bar Set | Polished Chrome |
| 9124CH | 24" Towel Bar Set | |
| 9130CH | 30" Towel Bar Set | |
| 9152CH | Toilet Paper Holder W/ Plastic Tube | |
| 9154CH | Double Robe Hook | |
| 9155CH | Euro T/P Holder | |
| 9160CH | Towel Ring | |



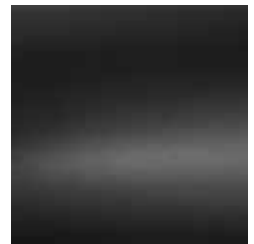
| Part No. | Description | Finish |
|----------|-------------------------------------|-------------------|
| 9118ORB | 18" Towel Bar Set | Oil-Rubbed Bronze |
| 9124ORB | 24" Towel Bar Set | |
| 9130ORB | 30" Towel Bar Set | |
| 9152ORB | Toilet Paper Holder W/ Plastic Tube | |
| 9154ORB | Double Robe Hook | |
| 9155ORB | Euro T/P Holder | |
| 9160ORB | Towel Ring | |



| Part No. | Description | Finish |
|----------|-------------------------------------|--------------|
| 9118SN | 18" Towel Bar Set | Satin Nickel |
| 9124SN | 24" Towel Bar Set | |
| 9130SN | 30" Towel Bar Set | |
| 9152SN | Toilet Paper Holder W/ Plastic Tube | |
| 9154SN | Double Robe Hook | |
| 9155SN | Euro T/P Holder | |
| 9160SN | Towel Ring | |



| Part No. | Description | Finish |
|----------|-------------------------------------|--------|
| 9124BL | 24" Towel Bar Set | Black |
| 9152BL | Toilet Paper Holder W/ Plastic Tube | |
| 9154BL | Double Robe Hook | |
| 9155BL | Euro T/P Holder | |
| 9160BL | Towel Ring | |




Orca Bath Accessories are polybagged with carded hang tag. 10 each per box.
Waldron rose diameter: 2-3/4"




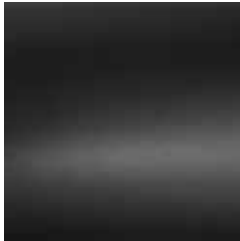
| Part No. | Description | Finish |
|----------|--|--|
| 4818CH | 18" Towel Bar Set |  |
| 4824CH | 24" Towel Bar Set | |
| 4830CH | 30" Towel Bar Set | |
| 4852CH | Toilet Paper Holder W/ Plastic Tube | |
| 4854CH | Double Robe Hook | |
| 4855CH | Euro T/P Holder | |
| 4860CH | Towel Ring | |

| Part No. | Description | Finish |
|----------|-------------|--------|
|----------|-------------|--------|

| | | |
|--------|--|---|
| 4818SN | 18" Towel Bar Set |  |
| 4824SN | 24" Towel Bar Set | |
| 4830SN | 30" Towel Bar Set | |
| 4852SN | Toilet Paper Holder W/ Plastic Tube | |
| 4854SN | Double Robe Hook | |
| 4855SN | Euro T/P Holder | |
| 4860SN | Towel Ring | |


| | | |
|---------|--|---|
| 4818ORB | 18" Towel Bar Set |  |
| 4824ORB | 24" Towel Bar Set | |
| 4830ORB | 30" Towel Bar Set | |
| 4852ORB | Toilet Paper Holder W/ Plastic Tube | |
| 4854ORB | Double Robe Hook | |
| 4855ORB | Euro T/P Holder | |
| 4860ORB | Towel Ring | |

| | | |
|--------|--|---|
| 4824SB | 24" Towel Bar Set |  |
| 4852SB | Toilet Paper Holder W/ Plastic Tube | |
| 4854SB | Double Robe Hook | |
| 4855SB | Euro T/P Holder | |
| 4860SB | Towel Ring | |


| | | |
|--------|--|---|
| 4824BL | 24" Towel Bar Set |  |
| 4852BL | Toilet Paper Holder W/ Plastic Tube | |
| 4854BL | Double Robe Hook | |
| 4855BL | Euro T/P Holder | |
| 4860BL | Towel Ring | |


Orca Bath Accessories are polybagged with carded hang tag. 10 each per box.
Blakely rose diameter: 2-3/4"



| Part No. | Description | Finish |
|----------|-------------------------------------|--|
| 4924CH | 24" Towel Bar Set |  |
| 4952CH | Toilet Paper Holder W/ Plastic Tube | |
| 4954CH | Double Robe Hook | |
| 4955CH | Euro T/P Holder | |
| 4960CH | Towel Ring | |



| | | |
|--------|-------------------------------------|---|
| 4924SN | 24" Towel Bar Set |  |
| 4952SN | Toilet Paper Holder W/ Plastic Tube | |
| 4954SN | Double Robe Hook | |
| 4955SN | Euro T/P Holder | |
| 4960SN | Towel Ring | |

| | | |
|---------|-------------------------------------|--|
| 4924ORB | 24" Towel Bar Set |  |
| 4952ORB | Toilet Paper Holder W/ Plastic Tube | |
| 4954ORB | Double Robe Hook | |
| 4955ORB | Euro T/P Holder | |
| 4960ORB | Towel Ring | |

| | | |
|--------|-------------------------------------|--|
| 4924BL | 24" Towel Bar Set |  |
| 4952BL | Toilet Paper Holder W/ Plastic Tube | |
| 4954BL | Double Robe Hook | |
| 4955BL | Euro T/P Holder | |
| 4960BL | Towel Ring | |




Orca Bath Accessories are polybagged with carded hang tag. 10 each per box.



| Part No. | Description | Finish |
|----------|----------------------------|--|
| 3618CH | 18" Chrome Towel Bar | Polished Chrome  |
| 3624CH | 24" Chrome Towel Bar | |
| 3630CH | 30" Chrome Towel Bar | |
| 3654CH | Chrome Robe Hook | |
| 3655CH | Euro T/P Holder | |
| 3661CH | Towel Ring, Round Ring | |
| 3660CH | Towel Ring, Rect. Ring | |
| 3618SN | 18" Satin Nickel Towel Bar | Satin Nickel  |
| 3624SN | 24" Satin Nickel Towel Bar | |
| 3630SN | 30" Satin Nickel Towel Bar | |
| 3654SN | Satin Nickel Robe Hook | |
| 3655SN | Euro T/P Holder | |
| 3661SN | Towel Ring, Round Ring | |
| 3660SN | Towel Ring, Rect. Ring | |
| 3618BL | 18" Matte Black Towel Bar | Matte Black  |
| 3624BL | 24" Matte Black Towel Bar | |
| 3630BL | 30" Matte Black Towel Bar | |
| 3654BL | Matte Black Robe Hook | |
| 3655BL | Euro T/P Holder | |
| 3661BL | Towel Ring, Round Ring | |
| 3660BL | Towel Ring, Rect. Ring | |


Orca Bath Accessories are polybagged with carded hang tag. 10 each per box.
Swirl rose diameter: 1-3/4"



| Part No. | Description | Finish |
|----------|-------------------------------------|---|
| 3724CH | 24" Chrome Towel Bar | Polished Chrome  |
| 3752CH | Toilet Paper Holder W/ Plastic Tube | |
| 3753CH | Chrome Robe Hook | |
| 3755CH | Euro T/P Holder | |
| 3760CH | Chrome Towel Ring | |
| 3724SN | 24" Satin Nickel Towel Bar | Satin Nickel  |
| 3752SN | Toilet Paper Holder W/ Plastic Tube | |
| 3753SN | Satin Nickel Robe Hook | |
| 3755SN | Euro T/P Holder | |
| 3760SN | Satin Nickel Towel Ring | |
| 3724BL | 24" Matte Black Towel Bar | Black  |
| 3752BL | Toilet Paper Holder W/ Plastic Tube | |
| 3753BL | Matte Black Robe Hook | |
| 3755BL | Euro T/P Holder | |
| 3760BL | Matte Black Towel Ring | |

Orca Bath Accessories are polybagged with carded hang tag. 10 each per box.
Camano rose dimensions: 2-3/16" diameter



| Part No. | Description | Finish |
|----------|----------------------|---|
| 5218CH | 18" Chrome Towel Bar | Polished Chrome  |
| 5224CH | 24" Chrome Towel Bar | |
| 5230CH | 30" Chrome Towel Bar | |
| 5254CH | Chrome Robe Hook | |
| 5255CH | Euro T/P Holder | |
| 5260CH | Chrome Towel Ring | |

| | | |
|--------|----------------------------|--|
| 5218SN | 18" Satin Nickel Towel Bar | Satin Nickel  |
| 5224SN | 24" Satin Nickel Towel Bar | |
| 5230SN | 30" Satin Nickel Towel Bar | |
| 5254SN | Satin Nickel Robe Hook | |
| 5255SN | Euro T/P Holder | |
| 5260SN | Satin Nickel Towel Ring | |

Orca Bath Accessories are polybagged with carded hang tag. 10 each per box.
Ripple rose dimensions: 1-5/8" x 1-5/8"



| Part No. | Description | Finish |
|----------|-------------|--------|
|----------|-------------|--------|

| | | |
|--------|------------------------|--|
| 5818CH | 18" Towel Bar |  |
| 5824CH | 24" Towel Bar | |
| 5830CH | 30" Towel Bar | |
| 5854CH | Robe Hook | |
| 5852CH | Tis | |
| 5855CH | Euro T/P Holder | |
| 5856CH | Curved Euro T/P Holder | |
| 5860CH | Chrome Towel Ring | |

| | | |
|--------|------------------------|---|
| 5818SN | 18" Towel Bar |  |
| 5824SN | 24" Towel Bar | |
| 5830SN | 30" Towel Bar | |
| 5854SN | Robe Hook | |
| 5855SN | Euro T/P Holder | |
| 5852SN | Tissue Holder | |
| 5856SN | Curved Euro T/P Holder | |
| 5860SN | Towel Ring | |

| Part No. | Description | Finish |
|----------|-------------|--------|
|----------|-------------|--------|

| | | |
|--------|---------------------------|--|
| 5824SB | 24" Satin Brass Towel Bar |  |
| 5854SB | Satin Brass Robe Hook | |
| 5855SB | Euro T/P Holder | |
| 5856SB | Curved Euro T/P Holder | |
| 5860SB | Satin Brass Towel Ring | |

| | | |
|--------|------------------------|---|
| 5818BL | 18" Towel Bar |  |
| 5824BL | 24" Towel Bar | |
| 5830BL | 30" Towel Bar | |
| 5854BL | Robe Hook | |
| 5852BL | Tissue Holder | |
| 5855BL | Euro T/P Holder | |
| 5856BL | Curved Euro T/P Holder | |
| 5860BL | Towel Ring | |

Orca Bath Accessories are polybagged with carded hang tag. 10 each per box.
Vashon rose dimensions: 2-1/4" x 2-1/4"

DOOR HINGES



Finishes



ORCA
HARDWARE®



RESIDENTIAL STEEL HINGES

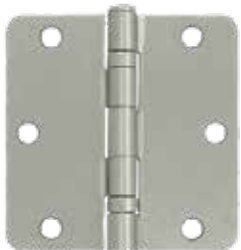


3.5 x 3.5 HINGES Standard 1/4 Radius



| Part Number | Finish | Corners |
|---------------|-----------|---------|
| RES3514 US2CD | US2CD | R1/4 |
| RES3514 US3 | US3 | R1/4 |
| RES3514 US3/4 | US3/4 | R1/4 |
| RES3514 US5 | US5 | R1/4 |
| RES3514 US10B | US10B/ORB | R1/4 |
| RES3514 US15 | US15/SN | R1/4 |
| RES3514 US26 | US26 | R1/4 |
| RES3514 US26D | US26D | R1/4 |
| RES3514 US19 | US19 | R1/4 |

Ball Bearing 1/4 Radius



| | | |
|-----------------|-----------|------|
| RES3514BB US3 | US3 | R1/4 |
| RES3514BB US10B | US10B/ORB | R1/4 |
| RES3514BB US15 | US15/SN | R1/4 |
| RES3514BB US26 | US26 | R1/4 |
| RES3514BB US26D | US26D | R1/4 |
| RES3514BB US19 | US19 | R1/4 |

Standard 5/8 Radius



| | | |
|---------------|-----------|------|
| RES3558 US2CD | US2CD | R5/8 |
| RES3558 US3 | US3 | R5/8 |
| RES3558 US3/4 | US3/4 | R5/8 |
| RES3558 US5 | US5 | R5/8 |
| RES3558 US10B | US10B/ORB | R5/8 |
| RES3558 US15 | US15/SN | R5/8 |
| RES3558 US26 | US26 | R5/8 |
| RES3558 US26D | US26D | R5/8 |
| RES3558 US19 | US19 | R5/8 |

Ball Bearing 5/8 Radius



| | | |
|-----------------|-----------|------|
| RES3558BB US3 | US3 | R5/8 |
| RES3558BB US10B | US10B/ORB | R5/8 |
| RES3558BB US15 | US15/SN | R5/8 |
| RES3558BB US26 | US26 | R5/8 |
| RES3558BB US26D | US26D | R5/8 |
| RES3558BB US19 | US19 | R5/8 |

.091" Gauge for both standard & ball bearing 3.5" Hinges

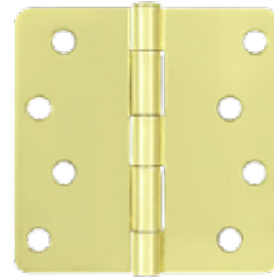
These hinges come with #9 x 3/4" screws. #9 x 1" screws available upon request. Packed 100 hinges per box.

| Part Number | Finish | Corners |
|-------------|--------|---------|
|-------------|--------|---------|

4 x 4 HINGES

Standard 1/4 Radius

| | | |
|---------------|-----------|------|
| RES4014 US3 | US3 | R1/4 |
| RES4014 US34 | US3/4 | R1/4 |
| RES4014 US5 | US5 | R1/4 |
| RES4014 US10B | US10B/ORB | R1/4 |
| RES4014 US15 | US15/SN | R1/4 |
| RES4014 US26 | US26 | R1/4 |
| RES4014 US26D | US26D | R1/4 |
| RES4014 US19 | US19 | R1/4 |



NRP Standard 1/4 Radius

| | | |
|-------------------|-----------|------|
| RES4014 NRP US10B | US10B/ORB | R1/4 |
| RES4014 NRP US15 | US15 | R1/4 |



Ball Bearing 1/4 Radius

| | | |
|-----------------|-----------|------|
| RES4014BB US3 | US3 | R1/4 |
| RES4014BB US10B | US10B/ORB | R1/4 |
| RES4014BB US15 | US15 | R1/4 |
| RES4014BB US26 | US26 | R1/4 |
| RES4014BB US26D | US26D | R1/4 |
| RES4014BB US19 | US19 | R1/4 |



.100" Gauge for both standard & ball bearing 4" Hinges
 These hinges come with #9 x 3/4" screws. #9 x 1" screws available upon request.
 Packed 100 hinges per box.

4 X 4 STEEL HINGES

| Part Number | Finish | Corners |
|-------------|--------|---------|
|-------------|--------|---------|



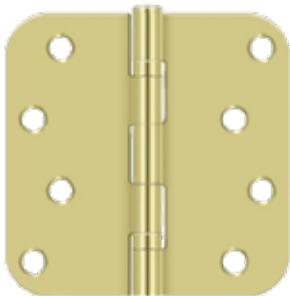
4 x 4 Standard 5/8 Radius

| | | |
|---------------|-----------|------|
| RES4058 US3 | US3 | R5/8 |
| RES4058 US34 | US3/4 | R5/8 |
| RES4058 US5 | US5 | R5/8 |
| RES4058 US10B | US10B/ORB | R5/8 |
| RES4058 US15 | US15/SN | R5/8 |
| RES4058 US26 | US26 | R5/8 |
| RES4058 US26D | US26D | R5/8 |
| RES4058 US19 | US19 | R5/8 |



4 x 4 NRP Standard 5/8 Radius

| | | |
|------------------|-----------|------|
| RES4058NRP US10B | US10B/ORB | R5/8 |
| RES4058NRP US15 | US15/SN | R5/8 |
| RES4058NRP US26D | US26D | R5/8 |



4 x 4 Ball Bearing 5/8 Radius

| | | |
|-----------------|-----------|------|
| RES4058BB US3 | US3 | R5/8 |
| RES4058BB US10B | US10B/ORB | R5/8 |
| RES4058BB US15 | US15/SN | R5/8 |
| RES4058BB US26 | US26 | R5/8 |
| RES4058BB US26D | US26D | R5/8 |
| RES4058BB US19 | US19 | R5/8 |



4 x 4 NRP Ball Bearing 5/8 Radius

| | | |
|--------------------|-----------|------|
| RES4058BBNRP US3 | US3 | R5/8 |
| RES4058BBNRP US10B | US10B/ORB | R5/8 |
| RES4058BBNRP US15 | US15/SN | R5/8 |

.100" Gauge for both standard & ball bearing 4" Hinges

These hinges come with #9 x 3/4" screws.
#9 x 1" screws available upon request.
Packed 100 hinges per box.

3.5 x 3.5 STEEL HINGES

| Part Number | Finish | Corners |
|-------------|--------|---------|
|-------------|--------|---------|

3.5 x 3.5 Plain Bearing Commercial SQ

| | | |
|-----------------------------|-----------|--------|
| COM3535 US3 3.5 X 3.5 | US3 | Square |
| COM3535 ORB (10B) 3.5 X 3.5 | US10B/ORB | Square |
| COM3535 US15 3.5 X 3.5 | US15/SN | Square |
| COM3535 US26 3.5 X 3.5 | US26 | Square |
| COM3535 26D 3.5 X 3.5 | US26D | Square |
| COM3535 US19 3.5 X 3.5 | US19 | Square |



3.5 x 3.5 Plain Bearing Commercial 1/4 Radius

| | | |
|-----------------------------|-----------|------|
| COM3514 US3 3.5 X 3.5 | US3 | R1/4 |
| COM3514 ORB (10B) 3.5 X 3.5 | US10B/ORB | R1/4 |
| COM3514 US15 3.5 X 3.5 | US15/SN | R1/4 |
| COM3514 US26 3.5 X 3.5 | US26 | R1/4 |
| COM3514 26D 3.5 X 3.5 | US26D | R1/4 |
| COM3514 US19 3.5 X 3.5 | US19 | R1/4 |



4 x 4 STEEL HINGES

4 x 4 Plain Bearing Commercial SQ

| | | |
|-------------------------|-----------|--------|
| COM4040 US3 4 X 4 | US3 | Square |
| COM4040 ORB (10B) 4 X 4 | US10B/ORB | Square |
| COM4040 US15 4 X 4 | US15/SN | Square |
| COM4040 26 4 X 4 | US26 | Square |
| COM4040 26D 4 X 4 | US26D | Square |
| COM4040 US19 4 X 4 | US19 | Square |



.123" Gauge for standard 3.5" Commercial Hinges

.130" Gauge for standard 4" Commercial Hinges

3.5" x 3.5" hinges come with #10 x 1/2" screws and #10 x 1" wood screws.

4" x 4" hinges come with #12 x 1/2" machine screws and #12 x 1-1/4" wood screws.

Packed 48 hinges per box.

4 x 4 STEEL HINGES

| Part Number | Finish | Corners |
|-------------|--------|---------|
|-------------|--------|---------|

4 x 4 Plain Bearing Commercial 1/4 Radius



| | | |
|-------------------------------|-----------|------|
| COM4014 US3 4 X 4 | US3 | R1/4 |
| COM4014 ORB (10B) 4 X 4 | US10B/ORB | R1/4 |
| COM4014 10DB (Dark 10B) 4 X 4 | Dark 10B | R1/4 |
| COM4014 US15 4 X 4 | US15/SN | R1/4 |
| COM4014 26 4 X 4 | US26 | R1/4 |
| COM4014 26D 4 X 4 | US26D | R1/4 |
| COM4014 US19 4 X 4 | US19 | R1/4 |

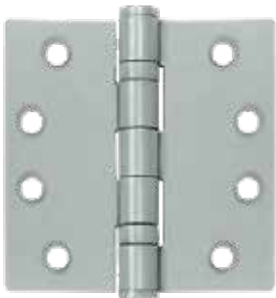
4.5 x 4.5 STEEL HINGES

4.5 x 4.5 Plain Bearing Commercial SQ



| | | |
|-----------------------------|-----------|--------|
| COM4545 ORB (10B) 4.5 X 4.5 | US10B/ORB | Square |
| COM4545 26D 4.5 X 4.5 | US26D | Square |
| COM4545 US19 4.5 X 4.5 | US19 | Square |

4.5 x 4.5 Ball Bearing Commercial SQ



| | | |
|-----------------------------------|-----------|--------|
| COM4545BB ORB (10B) 4.5 X 4.5 | US10B/ORB | Square |
| COM4545BB ORB (10B) 4.5 X 4.5 NRP | US10B/ORB | Square |
| COM4545BB 26D 4.5 X 4.5 | US26D | Square |
| COM4545BB 26D 4.5 X 4.5 NRP | US26D | Square |
| COM4545BB US19 4.5 X 4.5 | US19 | Square |
| COM4545BB US19 4.5 X 4.5 NRP | US19 | Square |

.130" Gauge for 4" Commercial Hinges

.134" Gauge for 4.5" Commercial Hinges

4" x 4" hinges come with #12 x 1/2" machine screws and #12 x 1-1/4" wood screws

4.5" x 4.5" hinges come with #12 x 1/2" machine screws and #12 x 1-1/4" wood screws

Packed 48 hinges per box.

3.5 x 3.5 SPRING HINGES

| Part Number | Finish | Corners |
|-------------|--------|---------|
|-------------|--------|---------|

3.5 x 3.5 Spring Hinge SQ

| | | |
|-----------------------------|-----------|--------|
| SPR3535 ORB (10B) 3.5 X 3.5 | US10B/ORB | Square |
| SPR3535 US15 3.5 X 3.5 | US15/SN | Square |
| SPR3535 US19 3.5 X 3.5 | US19 | Square |

3.5 x 3.5 Spring Hinge 1/4 Radius

| | | |
|-----------------------------|-----------|------|
| SPR3514 ORB (10B) 3.5 X 3.5 | US10B/ORB | R1/4 |
| SPR3514 US15 3.5 X 3.5 | US15/SN | R1/4 |
| SPR3514 US19 3.5 X 3.5 | US19 | R1/4 |

3.5 x 3.5 Spring Hinge 5/8 Radius

| | | |
|-----------------------------|-----------|------|
| SPR3558 ORB (10B) 3.5 X 3.5 | US10B/ORB | R5/8 |
| SPR3558 US15 3.5 X 3.5 | US15/SN | R5/8 |
| SPR3558 US19 3.5 X 3.5 | US19 | R5/8 |

.106" Gauge for 3.5" Spring Hinge; Supplied with #10 x 1" wood screws and #10 x 1/2" metal screws

.106" Gauge for 4" Spring Hinge; Supplied with #10 x 1" wood screws and #10 x 1/2" metal screws

.134" Gauge for 4.5" Spring Hinge; Supplied with #12 x 1-1/4" wood screws and #12 x 1/2" metal screws

Packet 48 hinges per box

SPRING STEEL HINGES

4 x 4 SPRING HINGES

| Part Number | Finish | Corners |
|-------------|--------|---------|
|-------------|--------|---------|

4 x 4 Spring Hinge Square Corner



| | | |
|-------------------------|-----------|--------|
| SPR4040 ORB (10B) 4 X 4 | US10B/ORB | Square |
| SPR4040 US15 4 X 4 | US15/SN | Square |
| SPR4040 26D 4 X 4 | US26D | Square |
| SPR4040 US19 4 X 4 | US19 | Square |
| SPR4040 US26 4 X 4 | US26 | Square |

4 x 4 Spring Hinge 1/4 Radius



| | | |
|-------------------------|-----------|------|
| SPR4014 ORB (10B) 4 X 4 | US10B/ORB | R1/4 |
| SPR4014 US15 4 X 4 | US15/SN | R1/4 |
| SPR4014 26D 4 X 4 | US26D | R1/4 |
| SPR4014 US19 4 X 4 | US19 | R1/4 |
| SPR4014 US26 4 X 4 | US26 | R1/4 |

4 x 4 Spring Hinge 5/8 Radius



| | | |
|-------------------------|-----------|------|
| SPR4058 ORB (10B) 4 X 4 | US10B/ORB | R5/8 |
| SPR4058 US15 4 X 4 | US15/SN | R5/8 |
| SPR4058 26D 4 X 4 | US26D | R5/8 |
| SPR4058 US19 4 X 4 | US19 | R5/8 |
| SPR4058 US26 4 X 4 | US26 | R5/8 |

4.5 x 4.5 SPRING HINGES

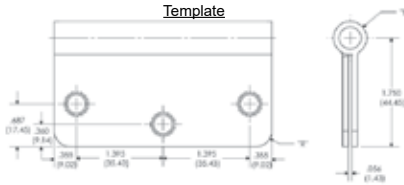


| | | |
|-----------------------------|-----------|--------|
| SPR4545 ORB (10B) 4.5 X 4.5 | US10B/ORB | Square |
| SPR4545 US15 4.5 X 4.5 | US15/SN | Square |
| SPR4545 26D 4.5 X 4.5 | US26D | Square |
| SPR4545 US19 4.5 X 4.5 | US19 | Square |

Residential Hinges

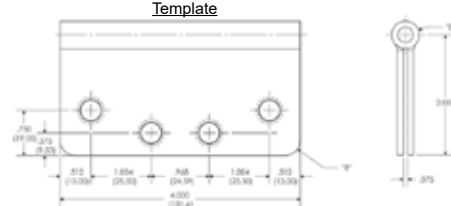
Templates Not To Scale, for reference only.

3.5 Inch x 3.5 Inch
Full Mortise Standard Weight Hinge Template
Full Mortise Ball Bearing Weight Hinge Template



| Part Number | | | Gauge of Metal | "E" Outside Dia. | "L" Leaf Width | "R" Corner Radius |
|--------------|-------------------|-------------------|----------------|------------------|----------------|--------------------|
| Steel Square | Steel 1/4" Radius | Steel 5/8" Radius | | | | |
| RES3535 | RES3514 | RES3558 | .091" | .418" | 1.75" | Square, 1/4", 5/8" |
| RES3535BB | RES3514BB | RES3558BB | .091" | .418" | 1.75" | Square, 1/4", 5/8" |

4 Inch x 4 Inch
Full Mortise Standard Weight Hinge Template
Full Mortise Ball Bearing Weight Hinge Template



| Part Number | | | Gauge of Metal | "E" Outside Dia. | "L" Leaf Width | "R" Corner Radius |
|--------------|-------------------|-------------------|----------------|------------------|----------------|--------------------|
| Steel Square | Steel 1/4" Radius | Steel 5/8" Radius | | | | |
| RES4040 | RES4014 | RES4058 | .100" | .460" | 2.00" | Square, 1/4", 5/8" |
| RES4040BB | RES4014BB | RES4058BB | .100" | .460" | 2.00" | Square, 1/4", 5/8" |

Commercial Hinges

Templates Not To Scale, for reference only.

3.5 Inch x 3.5 Inch
Full Mortise Standard Weight Hinge

| MFG # | Gauge | Outside Dia. "D" | Leaf Width "L" | Swage Line "S" | Corner Radius "R" |
|---------|-------|------------------|----------------|----------------|-------------------|
| COM3535 | .123" | .535" | 1.75" | 1.42" | Square |

COM3535 hinges come with #10 x 1/2" machine screws and #10 x 1" wood screws.

4 Inch x 4 Inch
Full Mortise Standard Weight Hinge

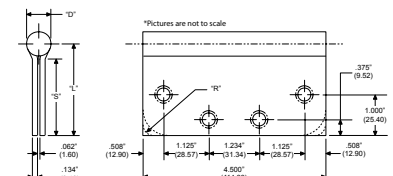
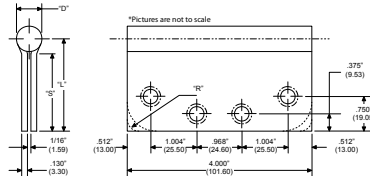
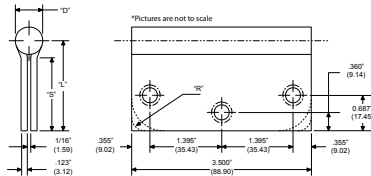
| MFG # | Gauge | Outside Dia. "D" | Leaf Width "L" | Swage Line "S" | Corner Radius "R" |
|---------|-------|------------------|----------------|----------------|-------------------|
| COM4040 | .130" | .550" | 2.00" | 1.67" | Square |

COM4040 hinges come with #12 x 1/2" machine screws and #12 x 1-1/4" wood screws.

4.5 Inch x 4.5 Inch
Full Mortise Standard Weight Hinge

| MFG # | Gauge | Outside Dia. "D" | Leaf Width "L" | Swage Line "S" | Corner Radius "R" |
|---------|-------|------------------|----------------|----------------|-------------------|
| COM4545 | .134" | .6" | 2.25" | 1.88" | Square |

COM4545 hinges come with #12 x 1/2" machine screws and #12 x 1-1/4" wood screws.



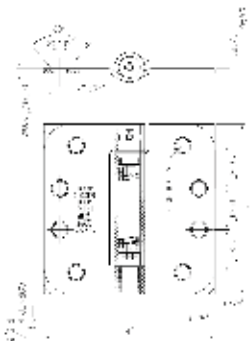
Spring Hinges

Templates Not To Scale, for reference only.

4 Inch x 4 Inch
Full Mortise Standard Weight Hinge

| MFG # | Gauge | Outside Dia. "D" | Leaf Width "L" | Swage Line "S" | Corner Radius "R" |
|---------|-------|------------------|----------------|----------------|-------------------|
| SPR4040 | .107" | .750" | 2.00" | 1-1/16" | Square |

SPR4040 hinges come with #10 x 1/2" machine screws and #10 x 1" wood screws.



4.5 Inch x 4.5 Inch
Full Mortise Standard Weight Hinge

| MFG # | Gauge | Outside Dia. "D" | Leaf Width "L" | Swage Line "S" | Corner Radius "R" |
|---------|-------|------------------|----------------|----------------|-------------------|
| SPR4545 | .134" | .750" | 2.25" | 1-1/16" | Square |

SPR4545 hinges come with #12 x 1/2" machine screws and #12 x 1-1/4" wood screws.



CABINET HARDWARE



ORCA
HARDWARE™



Stainless Steel Bar Pulls

- Solid Stainless Steel
- 12 mm diameter



| PART NUMBER | DESCRIPTION | FINISH |
|-------------|--|-----------------|
| CK-10200-SS | Bar T-Pull, Stainless, 2 in. Bar Width | Stainless Steel |
| CP-10300-SS | Bar Pull, Stainless, 3 in. ctc | Stainless Steel |
| CP-10096-SS | Bar Pull, Stainless, 96 mm ctc | Stainless Steel |
| CP-10128-SS | Bar Pull, Stainless, 128 mm ctc | Stainless Steel |
| CP-10192-SS | Bar Pull, Stainless, 192 mm ctc | Stainless Steel |
| CP-10256-SS | Bar Pull, Stainless, 256 mm ctc | Stainless Steel |



Steel Bar Pulls

- Solid Steel
- 12 mm diameter

| PART NUMBER | DESCRIPTION | FINISH |
|--------------|------------------------------------|-------------------|
| CK-12001-SN | Bar T-Pull, Steel, 2 in. Bar Width | Satin Nickel |
| CP-12300-SN | Bar Pull, Steel, 3 in. ctc | Satin Nickel |
| CP-12096-SN | Bar Pull, Steel, 96 mm ctc | Satin Nickel |
| CP-12128-SN | Bar Pull, Steel, 128 mm ctc | Satin Nickel |
| CP-12192-SN | Bar Pull, Steel, 192 mm ctc | Satin Nickel |
| CP-12256-SN | Bar Pull, Steel, 256 mm ctc | Satin Nickel |
| CK-12001-ORB | Bar T-Pull, Steel, 2 in. Bar Width | Oil-Rubbed Bronze |
| CP-12300-ORB | Bar Pull, Steel, 3 in. ctc | Oil-Rubbed Bronze |
| CP-12096-ORB | Bar Pull, Steel, 96 mm ctc | Oil-Rubbed Bronze |
| CP-12128-ORB | Bar Pull, Steel, 128 mm ctc | Oil-Rubbed Bronze |
| CK-12001-BL | Bar T-Pull, Steel, 2 in. Bar Width | Matte Black |
| CP-12300-BL | Bar Pull, Steel, 3 in. ctc | Matte Black |
| CP-12096-BL | Bar Pull, Steel, 96 mm ctc | Matte Black |
| CP-12128-BL | Bar Pull, Steel, 128 mm ctc | Matte Black |
| CK-12001-PC | Bar T-Pull, Steel, 2 in. Bar Width | Polished Chrome |
| CK-12096-PC | Bar Pull, Steel, 96 mm ctc | Polished Chrome |



Blackcomb Collection



| PART NUMBER | DESCRIPTION | FINISH |
|-------------|-----------------------------------|-------------|
| CP-17096-BL | Blackcomb Pull, 96 mm ctc | Matte Black |
| CP-17128-BL | Blackcomb Pull, 128 mm ctc | Matte Black |
| CP-17160-BL | Blackcomb Pull, 160 mm ctc | Matte Black |
| CK-17025-BL | Blackcomb Square Knob, 25 mm dia. | Matte Black |



| | | |
|-------------|-----------------------------------|--------------|
| CP-17096-SN | Blackcomb Pull, 96 mm ctc | Satin Nickel |
| CP-17128-SN | Blackcomb Pull, 128 mm ctc | Satin Nickel |
| CP-17160-SN | Blackcomb Pull, 160 mm ctc | Satin Nickel |
| CK-17025-SN | Blackcomb Square Knob, 25 mm dia. | Satin Nickel |

| | | |
|-------------|-----------------------------------|-----------|
| CP-17096-RG | Blackcomb Pull, 96 mm ctc | Rose Gold |
| CK-17025-RG | Blackcomb Square Knob, 25 mm dia. | Rose Gold |





Olympus Collection

| PART NUMBER | DESCRIPTION | FINISH |
|-------------|---------------------------------|--------------|
| CP-21096-SN | Olympus Square Pull, 96 mm ctc | Satin Nickel |
| CP-21128-SN | Olympus Square Pull, 128 mm ctc | Satin Nickel |
| CP-21160-SN | Olympus Square Pull, 160 mm ctc | Satin Nickel |
| CK-21037-SN | Olympus Square Knob 29.8mm | Satin Nickel |

| | | |
|-------------|---------------------------------|-------------|
| CP-21096-BL | Olympus Square Pull, 96 mm ctc | Matte Black |
| CP-21128-BL | Olympus Square Pull, 128 mm ctc | Matte Black |
| CP-21160-BL | Olympus Square Pull, 160 mm ctc | Matte Black |
| CK-21037-BL | Olympus Square Knob 29.8mm | Matte Black |

| | | |
|-------------|---------------------------------|-----------|
| CP-21096-RG | Olympus Square Pull, 96 mm ctc | Rose Gold |
| CP-21128-RG | Olympus Square Pull, 128 mm ctc | Rose Gold |
| CP-21160-RG | Olympus Square Pull, 160 mm ctc | Rose Gold |
| CK-21037-RG | Olympus Square Knob 29.8mm | Rose Gold |

| | | |
|--------------|---------------------------------|-------------------|
| CP-21096-ORB | Olympus Square Pull, 96 mm ctc | Oil-Rubbed Bronze |
| CP-21128-ORB | Olympus Square Pull, 128 mm ctc | Oil-Rubbed Bronze |
| CP-21160-ORB | Olympus Square Pull, 160 mm ctc | Oil-Rubbed Bronze |
| CK-21037-ORB | Olympus Square Knob 29.8mm | Oil-Rubbed Bronze |



TRANSITIONAL KNOBS & PULLS

Baker Collection



| PART NUMBER | DESCRIPTION | FINISH |
|-------------|--------------------------|--------------|
| CP-20096-SN | Baker Pull, 96 mm ctc | Satin Nickel |
| CP-20128-SN | Baker Pull, 128 mm ctc | Satin Nickel |
| CP-20160-SN | Baker Pull, 160 mm ctc | Satin Nickel |
| CK-20032-SN | Baker Square Knob, 32 mm | Satin Nickel |



| | | |
|-------------|--------------------------|-------------|
| CP-20096-BL | Baker Pull, 96 mm ctc | Matte Black |
| CP-20128-BL | Baker Pull, 128 mm ctc | Matte Black |
| CP-20160-BL | Baker Pull, 160 mm ctc | Matte Black |
| CK-20032-BL | Baker Square Knob, 32 mm | Matte Black |



| | | |
|-------------|--------------------------|-----------|
| CP-20096-RG | Baker Pull, 96 mm ctc | Rose Gold |
| CP-20128-RG | Baker Pull, 128 mm ctc | Rose Gold |
| CP-20160-RG | Baker Pull, 160 mm ctc | Rose Gold |
| CK-20032-RG | Baker Square Knob, 32 mm | Rose Gold |



| | | |
|--------------|--------------------------|-------------------|
| CP-20096-ORB | Baker Pull, 96 mm ctc | Oil-Rubbed Bronze |
| CP-20128-ORB | Baker Pull, 128 mm ctc | Oil-Rubbed Bronze |
| CP-20160-ORB | Baker Pull, 160 mm ctc | Oil-Rubbed Bronze |
| CK-20032-ORB | Baker Square Knob, 32 mm | Oil-Rubbed Bronze |



Mission Collection

| PART NUMBER | DESCRIPTION | FINISH |
|--------------|--------------------------|-------------------|
| CP-18096-ORB | Mission Pull, 96 mm ctc | Oil-Rubbed Bronze |
| CP-18128-ORB | Mission Pull, 128 mm ctc | Oil-Rubbed Bronze |
| CP-18160-ORB | Mission Pull, 160 mm ctc | Oil-Rubbed Bronze |
| CK-18032-ORB | Mission Knob, 32 mm dia. | Oil-Rubbed Bronze |



| | | |
|-------------|--------------------------|-------------|
| CP-18096-BL | Mission Pull, 96 mm ctc | Matte Black |
| CP-18128-BL | Mission Pull, 128 mm ctc | Matte Black |
| CP-18160-BL | Mission Pull, 160 mm ctc | Matte Black |
| CK-18032-BL | Mission Knob, 32 mm dia. | Matte Black |



| | | |
|-------------|--------------------------|--------------|
| CP-18096-SN | Mission Pull, 96 mm ctc | Satin Nickel |
| CP-18128-SN | Mission Pull, 128 mm ctc | Satin Nickel |
| CP-18160-SN | Mission Pull, 160 mm ctc | Satin Nickel |
| CK-18032-SN | Mission Knob, 32 mm dia. | Satin Nickel |



| | | |
|-------------|--------------------------|-----------|
| CK-18032-RG | Mission Knob, 32 mm dia. | Rose Gold |
|-------------|--------------------------|-----------|



Tahoma Collection



| PART NUMBER | DESCRIPTION | FINISH |
|-------------|-------------------------|-------------|
| CP-23096-BL | Tahoma Pull, 96 mm ctc | Matte Black |
| CP-23128-BL | Tahoma Pull, 128 mm ctc | Matte Black |
| CP-23160-BL | Tahoma Pull, 160 mm ctc | Matte Black |



| | | |
|-------------|-------------------------|--------------|
| CP-23096-SN | Tahoma Pull, 96 mm ctc | Satin Nickel |
| CP-23128-SN | Tahoma Pull, 128 mm ctc | Satin Nickel |
| CP-23160-SN | Tahoma Pull, 160 mm ctc | Satin Nickel |



| | | |
|-------------|-------------------------|-----------|
| CP-23096-RG | Tahoma Pull, 96 mm ctc | Rose Gold |
| CP-23128-RG | Tahoma Pull, 128 mm ctc | Rose Gold |
| CP-23160-RG | Tahoma Pull, 160 mm ctc | Rose Gold |



| | | |
|--------------|-------------------------|-------------------|
| CP-23096-ORB | Tahoma Pull, 96 mm ctc | Oil-Rubbed Bronze |
| CP-23128-ORB | Tahoma Pull, 128 mm ctc | Oil-Rubbed Bronze |
| CP-23160-ORB | Tahoma Pull, 160 mm ctc | Oil-Rubbed Bronze |



Whistler Collection

| PART NUMBER | DESCRIPTION | FINISH |
|-------------|---------------------------|--------------|
| CP-19096-SN | Whistler Pull, 96 mm ctc | Satin Nickel |
| CP-19128-SN | Whistler Pull, 128 mm ctc | Satin Nickel |
| CP-19160-SN | Whistler Pull, 128 mm ctc | Satin Nickel |
| CK-19032-SN | Whistler Knob 32 mm | Satin Nickel |



| | | |
|-------------|---------------------------|-------------|
| CP-19096-BL | Whistler Pull, 96 mm ctc | Matte Black |
| CP-19128-BL | Whistler Pull, 128 mm ctc | Matte Black |
| CP-19160-BL | Whistler Pull, 128 mm ctc | Matte Black |
| CK-19032-BL | Whistler Knob 32 mm | Matte Black |



| | | |
|-------------|---------------------------|-----------|
| CP-19096-RG | Whistler Pull, 96 mm ctc | Rose Gold |
| CP-19128-RG | Whistler Pull, 128 mm ctc | Rose Gold |
| CP-19160-RG | Whistler Pull, 128 mm ctc | Rose Gold |
| CK-19032-RG | Whistler Knob 32 mm | Rose Gold |



| | | |
|--------------|---------------------------|-------------------|
| CP-19096-ORB | Whistler Pull, 96 mm ctc | Oil-Rubbed Bronze |
| CP-19128-ORB | Whistler Pull, 128 mm ctc | Oil-Rubbed Bronze |
| CP-19160-ORB | Whistler Pull, 128 mm ctc | Oil-Rubbed Bronze |
| CK-19032-ORB | Whistler Knob 32 mm | Oil-Rubbed Bronze |





CK-15030

Bachelor Collection Knobs

| PART NUMBER | DESCRIPTION | FINISH |
|-------------|------------------------|--------------|
| CK-14025-SN | Kerri Knob, 25 mm dia. | Satin Nickel |



| | | |
|--------------|----------------------------|-------------------|
| CK-15030-ORB | Round Knob, 1-1/4 in. dia. | Oil-Rubbed Bronze |
| CK-15030-BL | Round Knob, 1-1/4 in. dia. | Matte Black |
| CK-15030-SN | Round Knob, 1-1/4 in. dia. | Satin Nickel |
| CK-15030-SC | Round Knob, 1-1/4 in. dia. | Satin Chrome |
| CK-15030-PC | Round Knob, 1-1/4 in. dia. | Polished Chrome |



| | | |
|--------------|---------------------|-------------------|
| CK-39100-SN | Round Knob, 30.2 mm | Satin Nickel |
| CK-39100-ORB | Round Knob, 30.2 mm | Oil-Rubbed Bronze |
| CK-39100-PC | Round Knob, 30.2 mm | Polished Chrome |



| | | |
|--------------|---------------------------------|-------------------|
| CK-16030-ORB | Round Ring Knob, 1-1/4 in. dia. | Oil-Rubbed Bronze |
| CK-16030-SN | Round Ring Knob, 1-1/4 in. dia. | Satin Nickel |



Bachelor Collection Pulls



| PART NUMBER | DESCRIPTION | FINISH |
|--------------|-------------------------|-------------------|
| CP-15096-ORB | Preston Pull, 96 mm ctc | Oil-Rubbed Bronze |
| CP-15096-SN | Preston Pull, 96 mm ctc | Satin Nickel |
| CP-15096-BL | Preston Pull, 96 mm ctc | Matte Black |

| | | |
|--------------|------------------|-------------------|
| CP-44300-SN | Cup Pull, 3" ctc | Satin Nickel |
| CP-44300-BL | Cup Pull, 3" ctc | Matte Black |
| CP-44300-ORB | Cup Pull, 3" ctc | Oil-Rubbed Bronze |
| CP-44300-CH | Cup Pull, 3" ctc | Satin Chrome |

Wire Pulls

- Solid Steel
- 8 mm diameter



| PART NUMBER | DESCRIPTION | FINISH |
|-------------|-------------------------------|--------------|
| CP-13300-SC | Wire Pull, Steel, 3 in. ctc | Satin Chrome |
| CP-13350-SC | Wire Pull, Steel, 3.5 in. ctc | Satin Chrome |
| CP-13096-SC | Wire Pull, Steel, 96 mm. ctc | Satin Chrome |
| CP-13400-SC | Wire Pull, Steel, 4 in. ctc | Satin Chrome |

DOOR TRIM & ACCESSORIES

Hinge Pin Stops



TH-HPST



TH-HPHD



TH-HPDS

| PART NUMBER | Description | Finish |
|--------------|-----------------------------------|-------------------|
| TH-HPST-BL | Hinge Pin Stop, w/ Black Tip | Black |
| TH-HPST-10B | Hinge Pin Stop, w/ Black Tip | Oil-Rubbed Bronze |
| TH-HPST-US15 | Hinge Pin Stop, w/ White Tip | Satin Nickel |
| TH-HPST-26 | Hinge Pin Stop, w/ White Tip | Polished Chrome |
| TH-HPHD-BL | HD Hinge Pin Stop, w/ Black Tip | Black |
| TH-HPHD-10B | HD Hinge Pin Stop, w/ Black Tip | Oil-Rubbed Bronze |
| TH-HPHD-US15 | HD Hinge Pin Stop, w/ White Tip | Satin Nickel |
| TH-HPHD-26 | HD Hinge Pin Stop, w/ White Tip | Polished Chrome |
| TH-HPDS-BL | Hinge Pin Door Stop, w/ Black Tip | Black |
| TH-HPDS-10B | Hinge Pin Door Stop, w/ Black Tip | Oil-Rubbed Bronze |
| TH-HPDS-US15 | Hinge Pin Door Stop, w/ Gray Tip | Satin Nickel |
| TH-HPDS-26 | Hinge Pin Door Stop, w/ Gray Tip | Polished Chrome |
| TH-HPDS-26D | Hinge Pin Door Stop, w/ Gray Tip | Brushed Chrome |

Zinc Alloy

Polybagged, 100/box for TH-HPST & TH-HPHD. 50/box for THHPDS.

Spring Stops



TH-3118



TH-3134

| PART NUMBER | Description | Finish |
|--------------|--------------------------------------|-------------------|
| TH-3118-BL | Spring Stop, 3-1/8 In., w/ Black Tip | Black |
| TH-3118-10B | Spring Stop, 3-1/8 In., w/ Black Tip | Oil-Rubbed Bronze |
| TH-3118-US15 | Spring Stop, 3-1/8 In., w/ Gray Tip | Satin Nickel |
| TH-3118-26 | Spring Stop, 3-1/8 In., w/ Gray Tip | Polished Chrome |
| TH-3134-BL | Spring Stop, 3-3/4 In., w/ Black Tip | Black |
| TH-3134-10B | Spring Stop, 3-3/4 In., w/ Black Tip | Oil-Rubbed Bronze |
| TH-3134-US15 | Spring Stop, 3-3/4 In., w/ Gray Tip | Satin Nickel |
| TH-3134-26 | Spring Stop, 3-3/4 In., w/ White Tip | Polished Chrome |

Zinc Alloy

Polybagged, 100/box

Solid Stops

| PART NUMBER | Description | Finish |
|--------------|-----------------------------------|-------------------|
| TH-30HD-BL | Rigid Door Stop, HD, w/ Black Tip | Black |
| TH-30HD-10B | Rigid Door Stop, HD, w/ Black Tip | Oil-Rubbed Bronze |
| TH-30HD-US15 | Rigid Door Stop, HD, w/ Gray Tip | Satin Nickel |
| TH-30HD-26 | Rigid Door Stop, HD, w/ Gray Tip | Polished Chrome |

TH-30HD



| | | |
|--------------|-----------------------------------|-------------------|
| DRS-30Z-BL | Rigid Door Stop, HD, w/ Black Tip | Black |
| DRS-30Z-10B | Rigid Door Stop, HD, w/ Black Tip | Oil-Rubbed Bronze |
| DRS-30Z-US15 | Rigid Door Stop, HD, w/ Gray Tip | Satin Nickel |
| DRS-30Z-26 | Rigid Door Stop, HD, w/ Gray Tip | Polished Chrome |
| DRS-30Z-26D | Rigid Door Stop, HD, w/ Gray Tip | Brushed Chrome |

TH-30HD:
Brass
3-1/4" long
Polybagged, 10 per box

DRS-30Z:
Zinc Alloy
3" long
Polybagged, 10 per box

Ball Catches, Drive in w/ Radius Strike

| PART NUMBER | Description | Finish |
|--------------|----------------------------|-------------------|
| TH-70DR-BL | Ball Catch, Drive In Style | Black |
| TH-70DR-10B | Ball Catch, Drive In Style | Oil-Rubbed Bronze |
| TH-70DR-US15 | Ball Catch, Drive In Style | Satin Nickel |
| TH-70DR-26 | Ball Catch, Drive In Style | Polished Chrome |



TH-70DR

Zinc Alloy + Steel
Polybagged, 50 per box

Flush Bolts with Radius Corner



| PART NUMBER | Description | Finish |
|--------------|---------------------------------|-------------------|
| TH-86SQ-10B | 6 In. Flush Bolt, Radius Corner | Oil-Rubbed Bronze |
| TH-86SQ-US15 | 6 In. Flush Bolt, Radius Corner | Satin Nickel |

Brass
Polybagged, 10 per box

TH-86SQ

Floor Stops & Kick Down Holders



TH-23LP

| PART NUMBER | Description | Finish |
|--------------|---|-------------------|
| TH-23LP-US15 | Floor Dome Stop, Low Rise, w/ Gray Tip | Satin Nickel |
| TH-23LP-10B | Floor Dome Stop, Low Rise, w/ Black Tip | Oil-Rubbed Bronze |
| TH-23LP-26D | Floor Dome Stop, Low Rise, w/ Gray Tip | Brushed Chrome |
| TH-22HD-10B | Floor Goose Neck, w/ Black Tip | Oil-Rubbed Bronze |
| TH-22HD-26D | Floor Goose Neck, w/Gray Tip | Brushed Chrome |
| TH-40ST-US15 | Kick Down Stop, 5.275 In., w/ Gray Tip | Satin Nickel |
| TH-40ST-10B | Kick Down Stop, 5.275 In., w/ Black Tip | Oil-Rubbed Bronze |
| TH-40ST-26D | Kick Down Stop, 5.275 In., w/ Black Tip | Brushed Chrome |



TH-22HD



TH-40ST

Dome & Goose Neck Stop: Brass
Kick Down Stop: Zinc Alloy

Pocket Door Locks

| PART NUMBER | Description | Finish |
|----------------|--------------------------|-------------------|
| TH-SQPK-S-US15 | Pocket Door Passage Lock | Satin Nickel |
| TH-SQPK-S-10B | Pocket Door Passage Lock | Oil-Rubbed Bronze |
| TH-SQPK-S-26 | Pocket Door Passage Lock | Polished Chrome |
| TH-SQPK-S-BL | Pocket Door Passage Lock | Black |
| TH-SQPK-V-US15 | Pocket Door Privacy Lock | Satin Nickel |
| TH-SQPK-V-10B | Pocket Door Privacy Lock | Oil-Rubbed Bronze |
| TH-SQPK-V-26 | Pocket Door Privacy Lock | Polished Chrome |
| TH-SQPK-V-BL | Pocket Door Privacy Lock | Black |



Brass
2-3/4" x 2-1/2" x 1-3/8"
Polybagged, 10 per box

Flush Pulls

| PART NUMBER | Description | Finish |
|--------------|-------------------------|-------------------|
| TH-FPULL-15 | 2-1/8" Round Flush Pull | Satin Nickel |
| TH-FPULL-ORB | 2-1/8" Round Flush Pull | Oil-Rubbed Bronze |
| TH-FPULL-26 | 2-1/8" Round Flush Pull | Polished Chrome |
| TH-FPULL-26D | 2-1/8" Round Flush Pull | Brushed Chrome |
| TH-FPULL-BL | 2-1/8" Round Flush Pull | Black |



Handrail Brackets



| PART NUMBER | Description | Finish |
|--------------|---------------------------------|-------------------|
| TH-10ST-BL | Handrail Bracket | Black |
| TH-10ST-10B | Handrail Bracket | Oil-Rubbed Bronze |
| TH-10ST-US15 | Handrail Bracket | Satin Nickel |
| TH-10ST-26 | Handrail Bracket | Polished Chrome |
| TH-10HD-BL | HD Handrail Bracket | Black |
| TH-10HD-10B | HD Handrail Bracket | Oil-Rubbed Bronze |
| TH-10HD-US15 | HD Handrail Bracket | Satin Nickel |
| TH-10HD-26 | HD Handrail Bracket | Polished Chrome |
| TH-10HD-26D | HD Handrail Bracket | Brushed Chrome |
| TH-10XL-BL | HD Handrail Bracket, Round Base | Black |
| TH-10XL-10B | HD Handrail Bracket, Round Base | Oil-Rubbed Bronze |
| TH-10XL-US15 | HD Handrail Bracket, Round Base | Satin Nickel |
| TH-10XL-26 | HD Handrail Bracket, Round Base | Polished Chrome |
| TH-10XL-26D | HD Handrail Bracket, Round Base | Brushed Chrome |

Handrail Brackets: Zinc Alloy
Polybagged. Standard: 50/box. Round: 10/box.

COMMERCIAL LOCKS



ORCA
HARDWARE™





MEDIUM DUTY COMMERCIAL CYLINDRICAL LOCK

CAPTAIN

Commercial Lock for use in

1. Office Building
2. Shopping Center
3. Mixed-use Buildings
4. Multi-family Residences



Key-in-lever cylindrical locksets meet the following requirements:

All locks meet ANSI/BHMA A156.2, Series 4000, Grade 2 test requirements for key-in-lever locksets. UL listed 3 hour A Label.

Individual Heavy-duty springs for lever return and to prevent lever sag. Through-bolted trim. 3-5/8" diameter roses.

All lever designs are solid (no inserts) and meet federal ADA and state disability requirements.

Adjusts to fit door thickness from 1-3/8" to 1-3/4".

Non-handed and do not require field disassembly for rehanding.

Standard Lock Comes with:

- 2-3/4" backset
- ASA Strike
- C-keyway*
- 6-pin brass cylinder*
- 2 keys per lockset*
- Optional 2-3/8" backset available



*SFIC comes less core and is compatible with 6 or 7 pin Best small format cores.

| | Part Number | Function | Core |
|-------------------|---------------------|-----------|------------------|
| Brushed Chrome | OCL210PA26DCAP 26D | Passage | N/A |
| | OCL240PR26DCAP 26D | Privacy | N/A |
| | OCL250SC26DCAP 26D | Entrance | Standard |
| | OCL270SC26DCAP 26D | Classroom | Standard |
| | OCL280SC26DCAP 26D | Storeroom | Standard |
| | OCL250IC26DCAP 26D | Entrance | SFIC (Less Core) |
| | OCL270IC26DCAP 26D | Classroom | SFIC (Less Core) |
| | OCL280IC26DCAP 26D | Storeroom | SFIC (Less Core) |
| | OCL2170DU26D 26D | Dummy | N/A |
| Oil-Rubbed Bronze | OCL210PA10BCAP 10B | Passage | N/A |
| | OCL240PR10BCAP 10B | Privacy | N/A |
| | OCL250SC10BCAP 10B | Entrance | Standard |
| | OCL270SC10BCAP 10B | Classroom | Standard |
| | OCL280SC10BCAP 10B | Storeroom | Standard |
| | OCL250IC10BCAP 10B | Entrance | SFIC (Less Core) |
| | OCL270IC10BCAP 10B | Classroom | SFIC (Less Core) |
| | OCL280IC10BCAP 10B | Storeroom | SFIC (Less Core) |
| | OCL2170DU10BCAP 10B | Dummy | N/A |



MEDIUM DUTY COMMERCIAL CYLINDRICAL LOCK

ADMIRAL

Commercial Lock for use in

1. Office Building
2. Shopping Center
3. Mixed-use Buildings
4. Multi-family Residences



Key-in-lever cylindrical locksets meet the following requirements:

All locks meet ANSI/BHMA A156.2, Series 4000, Grade 2 test requirements for key-in-lever locksets. UL listed 3 hour A Label.

Individual Heavy-duty springs for lever return and to prevent lever sag. Through-bolted trim. 3-5/8" diameter roses.

All lever designs are solid (no inserts) and meet federal ADA and state disability requirements. Adjusts to fit door thickness from 1-3/8" to 1-3/4".

Non-handed and do not require field disassembly for rehanding.

Standard Lock Comes with:

- 2-3/4" backset
- ASA Strike
- C-keyway*
- 6-pin brass cylinder*
- 2 keys per lockset*
- Optional 2-3/8" backset available

*SFIC comes less core and is compatible with 6 or 7 pin Best small format cores.

| | Part Number | Function | Core |
|----------------|---------------------|-----------|------------------|
| Brushed Chrome | OCL210PA26DADM 26D | Passage | N/A |
| | OCL240PR26DADM 26D | Privacy | N/A |
| | OCL250SC26DADM 26D | Entrance | Standard |
| | OCL270SC26DADM 26D | Classroom | Standard |
| | OCL280SC26DADM 26D | Storeroom | Standard |
| | OCL250IC26DADM 26D | Entrance | SFIC (Less Core) |
| | OCL270IC26DADM 26D | Classroom | SFIC (Less Core) |
| | OCL280IC26DADM 26D | Storeroom | SFIC (Less Core) |
| | OCL2170DU26DADM 26D | Dummy | N/A |





MEDIUM DUTY COMMERCIAL DEADBOLT

DEADBOLT



Standard

Commercial Deadbolt for use in:

1. Office Buildings
2. Shopping Centers
3. Mixed-use Buildings
4. Multi-family Residences

Commercial Deadbolts meet the following requirements:

All deadbolts meet ANSI Grade 2 test requirements.
 UL listed 3 hour fire rated latch.
 Anti-pry shield and anti-drill cylinder shield.
 Fits 2-1/8" bore hole.



Standard Deadbolt Comes with:

Adjustable 2-3/8" to 2-3/4" backset
 Square corner strike
 C-keyway (SFIC comes less core)
 6-pin brass cylinder (SFIC deadbolts are compatible with 6 or 7 pin Best small format cores)
 2 keys per lockset (SFIC does not come with keys)
 Adjusts to fit door thickness from 1-3/8" to 1-3/4" (SFIC adjusts to fit 1-9/16" to 2" thick doors)

| Part Number | Function | Core | Finish |
|---------------|-----------------|------------------|-------------------|
| ODB3601CSC26D | Single Cylinder | Standard | Brushed Chrome |
| ODB3601CIC26D | Single Cylinder | SFIC (Less Core) | Brushed Chrome |
| ODB3601CSC10B | Single Cylinder | Standard | Oil-Rubbed Bronze |
| ODB3601CIC10B | Single Cylinder | SFIC (Less Core) | Oil-Rubbed Bronze |



COMMERCIAL LOCKS ADDITIONAL PARTS

| Part Number | Backset | Size | Finish |
|-------------|---------|------|--------|
|-------------|---------|------|--------|

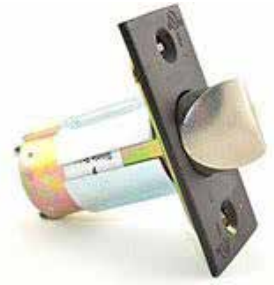
KEYED LEVER LOCK DEADLATCH

| | | | |
|------------------|--------|-----------------|-------------------|
| ENDL23410021410B | 2-3/4" | 1" x 2-1/4" | Oil-Rubbed Bronze |
| ENDL23410021426D | | | Satin Chrome |
| ENDL23411821410B | | 1-1/8" x 2-1/4" | Oil-Rubbed Bronze |
| ENDL23411821426D | | | Satin Chrome |
| ENDL23810021410B | 2-3/8" | 1" x 2-1/4" | Oil-Rubbed Bronze |
| ENDL23810021426D | | | Satin Chrome |
| ENDL23811821410B | | 1-1/8" x 2-1/4" | Oil-Rubbed Bronze |
| ENDL23811821426D | | | Satin Chrome |



PRIVACY SPRINGLATCH

| | | | |
|------------------|--------|-----------------|-------------------|
| PRSL23410021410B | 2-3/4" | 1" x 2-1/4" | Oil-Rubbed Bronze |
| PRSL23410021426D | | | Satin Chrome |
| PRSL23411821410B | | 1-1/8" x 2-1/4" | Oil-Rubbed Bronze |
| PRSL23411821426D | | | Satin Chrome |
| PRSL23810021410B | 2-3/8" | 1" x 2-1/4" | Oil-Rubbed Bronze |
| PRSL23810021426D | | | Satin Chrome |
| PRSL23811821410B | | 1-1/8" x 2-1/4" | Oil-Rubbed Bronze |
| PRSL23811821426D | | | Satin Chrome |



PASSAGE SPRINGLATCH

| | | | |
|------------------|--------|-----------------|-------------------|
| PASL23410021410B | 2-3/4" | 1" x 2-1/4" | Oil-Rubbed Bronze |
| PASL23410021426D | | | Satin Chrome |
| PASL23411821410B | | 1-1/8" x 2-1/4" | Oil-Rubbed Bronze |
| PASL23411821426D | | | Satin Chrome |
| PASL23810021410B | 2-3/8" | 1" x 2-1/4" | Oil-Rubbed Bronze |
| PASL23810021426D | | | Satin Chrome |
| PASL23811821410B | | 1-1/8" x 2-1/4" | Oil-Rubbed Bronze |
| PASL23811821426D | | | Satin Chrome |



STRIKES

| | | | |
|-----------|------------|-----------------|-------------------|
| OCLASA10B | ASA STRIKE | 1-1/4" x 4-7/8" | Oil-Rubbed Bronze |
| OCLASA32D | ASA STRIKE | | Satin Stainless |
| OCLTSK10B | T STRIKE | 1-1/8" x 2-3/4" | Oil-Rubbed Bronze |
| OCLTSK32D | T STRIKE | | Satin Stainless |

EXIT DEVICES

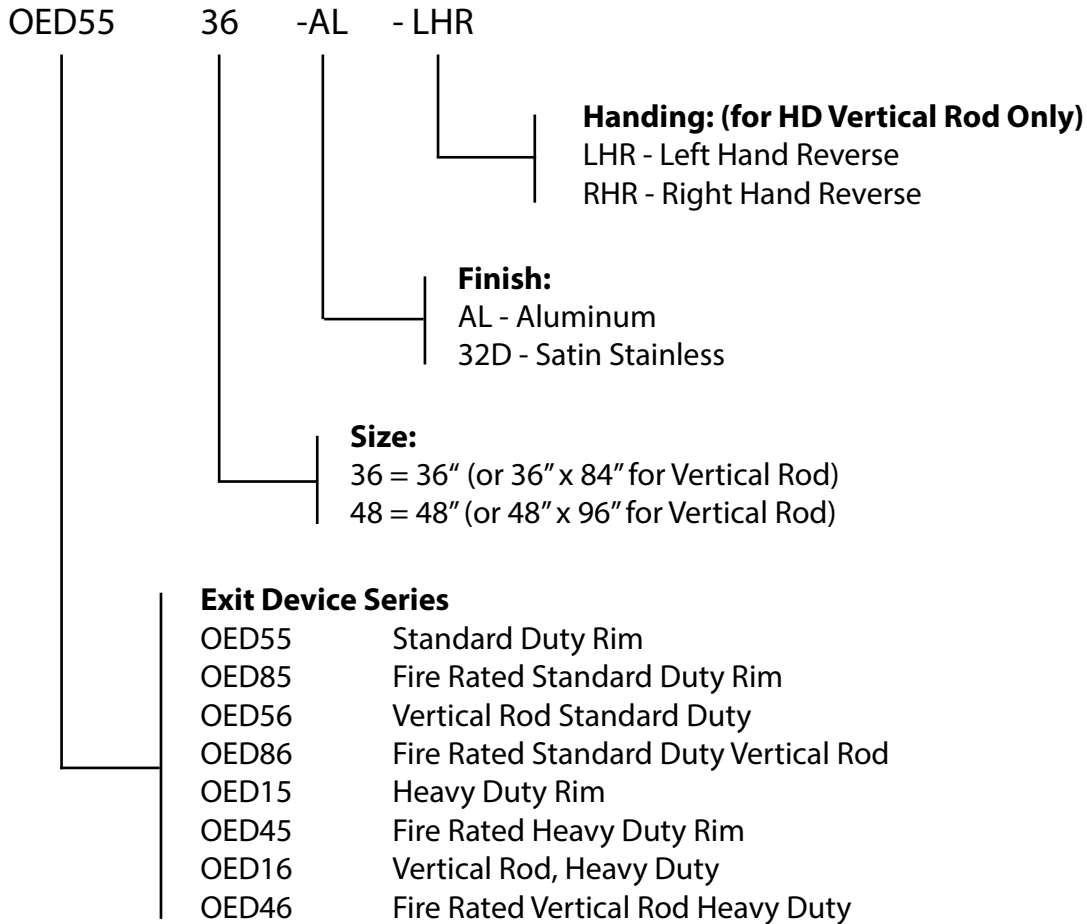


ORCA
HARDWARE™



HOW TO ORDER

Product Identification





RIM EXIT DEVICE

UL LISTED PANIC HARDWARE

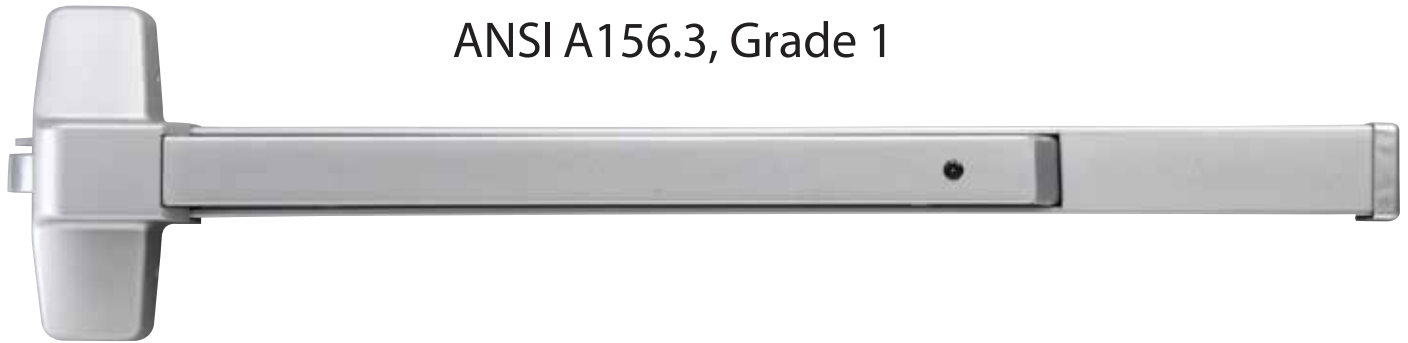
RIM TYPE FIRE-RATED RIM

OED5500

Rim Type Exit Devices

OED8500

Fire Rated Rim Type Exit Devices



ANSI A156.3, Grade 1

Standard Features

- For use in institutions, schools, universities, commercial buildings
- Chassis mounted unit construction
- Minimum stile: 4-1/2"
- Standard door thickness 1-3/4"
- For all doors up to 36" or 48"
- Universal design retrofits on Von Duprin 99 series & Sargent 88 Series
- Material: Cap and rail are made of brass, stainless steel or steel
- 161 ANSI cutout
- Mounting: Furnished with wood & machine screws.
- Thru-bolts: Standard on fire rated devices
- Non Handed
- Latch Bolt: Stainless Steel 3/4"
- Available with outside trim, sold separately
- Available Finish: Aluminum

Specifications

- All exit device shall be of touch bar design with smooth operation & be operative over 2/3 of the door's clear opening width
- All exit devices must be listed under "Panic Hardware" in the Accident Equipment List of Underwriter's Laboratories, Inc. Where labeled doors are used as exits, they must be equipped with labeled Fire Exit Hardware and UL 10C, UBC7-2-1997 codes.
- All exit devices shall be of chassis mounted unit construction.

Code Compliance

- ANSI A165.3, Grade 1
- UL listed for Panic and UL 10C, UBC 7-2-1997 codes
- UL listed for Fire Exit Hardware 3 Hours
- A) Label rating on pairs of doors up to 8'0" x 8'0" swinging in same or opposite directions.

| Part Number | Type | Length | Fire Rating |
|-------------|----------------|--------|--------------|
| OED5536-AL | Rim, Exit Only | 36" | N/A |
| OED5548-AL | | 48" | N/A |
| OED8536-AL | | 36" | 3 Hour Rated |
| OED8548-AL | | 48" | 3 Hour Rated |





VERTICAL ROD EXIT DEVICE UL LISTED PANIC HARDWARE

VERTICAL ROD

FIRE-RATED VR

OED5600

Vertical Rod Type Exit Devices,
Less Bottom Rod

ANSI A156.3, Grade 1

OED8600

Fire Rated VR Type Exit Devices,
Less Bottom Rod

Standard Features

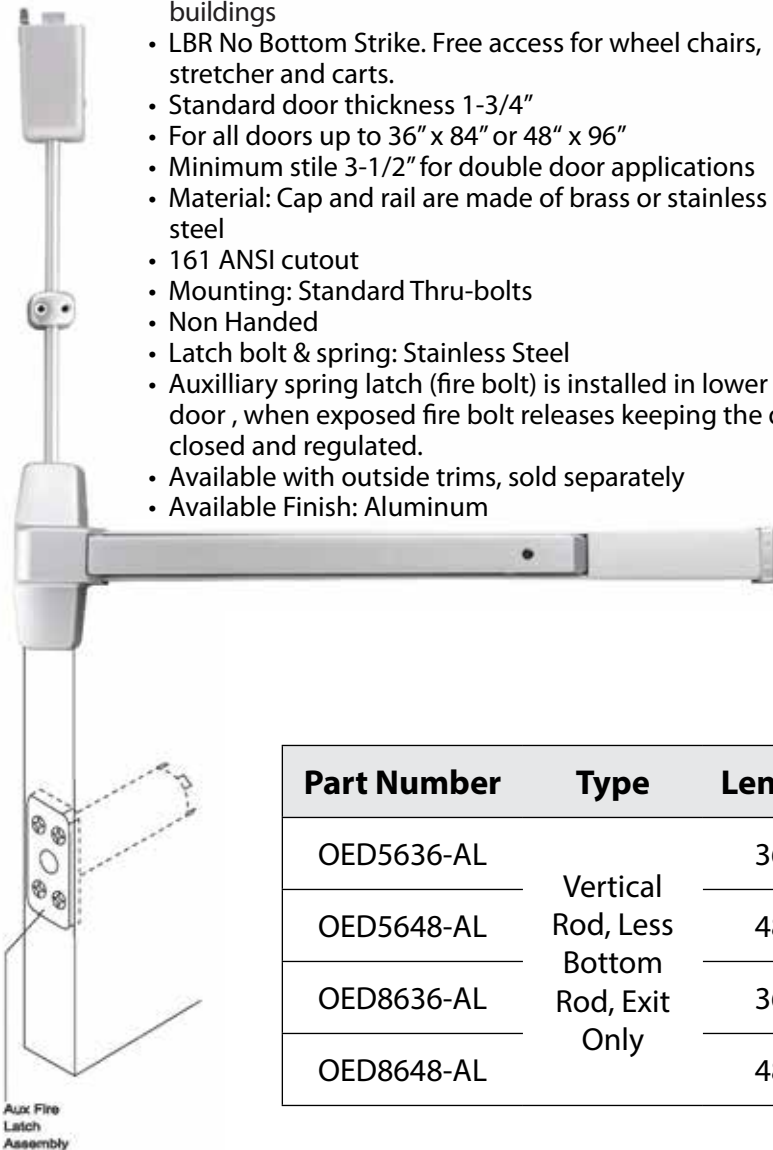
- For use in institutions, schools, universities, commercial buildings
- LBR No Bottom Strike. Free access for wheel chairs, stretcher and carts.
- Standard door thickness 1-3/4"
- For all doors up to 36" x 84" or 48" x 96"
- Minimum stile 3-1/2" for double door applications
- Material: Cap and rail are made of brass or stainless steel or steel
- 161 ANSI cutout
- Mounting: Standard Thru-bolts
- Non Handed
- Latch bolt & spring: Stainless Steel
- Auxilliary spring latch (fire bolt) is installed in lower edge of door , when exposed fire bolt releases keeping the door closed and regulated.
- Available with outside trims, sold separately
- Available Finish: Aluminum

Specifications

- All exit device shall be of touch bar design with smooth operation & be operative over 2/3 of the door's clear opening width
- All exit devices must be listed under "Panic Hardware" in the Accident Equipment List of Underwriter's Laboratories, Inc. Where labeled doors are used as exits, they must be equipped with labeled Fire Exit Hardware and UL 10C, UBC7-2-1997 codes.
- All exit devices shall be of chassis mounted unit construction.

Code Compliance

- ANSI A165.3, Grade 1
- UL and ULC listed. LBR series for fire exit hardware for all types of 8' x 8' double doors including double egress for up to 3 hours metal. 1-1/2 hour wood doors fire labeled installations. Conforms to standard UL 10C, UBC 7-2-1997 codes



| Part Number | Type | Length | Fire Rating |
|-------------|---------------------------|--------|--------------|
| OED5636-AL | Vertical Rod, Less Bottom | 36" | N/A |
| OED5648-AL | | 48" | N/A |
| OED8636-AL | Rod, Exit Only | 36" | 3 Hour Rated |
| OED8648-AL | | 48" | 3 Hour Rated |





TRIM FOR STANDARD DUTY EXIT DEVICES

OED5500, OED5600, OED8500 & OED8600

TRIM



OED8000L
OED8000S



OED8000P

| Part Number | Description |
|---------------|--|
| OED8000NL-32D | Wing Pull |
| OED8000PK-32D | Pull Trim w/ Key, Grade 1, ANSI function 03/04 |
| OED8000L-26D | Keyed Lever for all 5500/8500 Series Devices |
| OED8000S-26D | Storeroom Lever for all 5500/8500 Series Devices |
| OED8000P-26D | Passage Lever for all 5500/8500 Series Devices |
| OED245-AL | 254 Overlapping Strike for all 5500/8500 Devices |

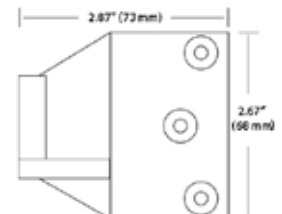


OED8000NL



OED8000PK
14-5/16" x 2-5/8"

OED245-AL
Overlapping Strike for Double Door
Use In 5500/8500 Series





HEAVY DUTY PANIC EXIT DEVICES, UL LISTED

RIM TYPE

OED1500 / OED4500

Rim Type Exit Devices

VERTICAL ROD

OED1600 / OED4600

Vertical Rod Exit Devices



ANSI A156.3, Grade 1

Features & Construction

- ◆ For use in institutions, schools, universities, commercial buildings where heavy duty reliable operation is a requirement.
- ◆ ANSI A156.3, Grade 1 heavy duty exit device in surface vertical rod and rim designs.
- ◆ Rail assemblies are heavy duty extruded aluminum body with stainless steel push pad and end caps are made of brass, bronze or stainless steel. Rail travels in direction of the door swing.
- ◆ Trims are thru bolted for additional security.
- ◆ Conforms & Meets ADA Regulations.
- ◆ UL Listed for Panic and UL 10C, UBC 7-2-1997 codes.
- ◆ UL Listed for Fire Exit Hardware. **3 hours.**
- ◆ (A) label rating on pairs of doors up to 8'0" x 8'0" swinging in same or opposite directions.
- ◆ Uncompromising security and safety in single and double fire exit doors.
- ◆ Chassis mounted unit construction.
- ◆ Available in many different functions. Lever and escutcheon trims are grade 1 construction with clutch freewheeling mechanism. Rose and escutcheon covers 161 cut out.

Suggested Architect's Specifications

- ◆ All exit devices shall be of touch bar design with smooth operation and be operative over 2/3 of the door's clear opening width.
- ◆ All exit devices must be listed under "Panic Hardware" in the Accident Equipment List of Underwriter's Laboratories, Inc. Where labeled doors are used as exits, they must be equipped with labeled Fire Exit Hardware and UL 10C, UBC 7-2-1997 codes.
- ◆ All springs shall be of stainless steel throughout.
- ◆ All exit devices shall be of chassis mounted unit construction.
- ◆ All exit device shall be ANSI A156.3, Grade 1.





HEAVY DUTY RIM TYPE PANIC EXIT DEVICE, UL LISTED

RIM TYPE

FIRE RATED RIM

OED1500

OED4500

Rim Type Exit Devices

Fire Rated Rim Exit Devices



ANSI A156.3, Grade 1

Specifications

| | |
|-------------------|---|
| For Doors | 1-3/4" thick standard. 4-1/2" minimum stile width required for single or double door application using standard 239 strike and pull or lever trims. |
| Chassis | Non-ferrous alloy (Panic Grade), steel (Fire Grade). |
| Cover | Brass, bronze or stainless steel. Cover stock hollow metal doors with 161 cut out. |
| Mounting | Furnished with wood and machine screws. Available with thru bolts on request. Thru bolts are included and standard packaging on fire rated devices. |
| End Cap | Brass, bronze or stainless steel construction. |
| Hand | Non handed, center hub. |
| Latch Bolt | Stainless steel 3/4" throw with anti-pick feature. |
| Spring | Stainless steel throughout. |
| ANSI standard | A156.3, Grade 1. |
| Rail Assembly | Heavy gauge extruded aluminum body with stainless. |
| Strike | 938 packed standard |
| Dogging Feature | Allen-type key furnished standard on non-fire labeled devices. |
| Mullion | Available. |
| UL and ULC Listed | OED1500 Series for panic. OED4500 Series for fire exit hardware for all types of 4' x 8' single doors and 8' x 8' double doors for up to 3 hours fire labeled installations, conforms to standards UL 10C and UBC 7-2-1997 codes. |
| Finish | Satin Stainless |
| Door size | OED1536 and OED4536 (FIRE) for 36" doors. OED1548 and OED4548 (FIRE) for 48" doors. |

| Part Number | Type | Length | Fire Rating |
|-------------|------------------------------|--------|--------------|
| OED1536-32D | Heavy Duty Rim, Exit Only | 36" | N/A |
| OED1548-32D | | 48" | N/A |
| OED4536-32D | | 36" | 3 Hour Rated |
| OED4548-32D | | 48" | 3 Hour Rated |



HEAVY DUTY VERTICAL ROD PANIC EXIT DEVICE, UL LISTED

VERTICAL ROD FIRE RATED VR

OED1600

Vertical Rod Type Exit Devices,
Less Bottom Rod

OED4600

Fire Rated Vertical Rod,
Less Bottom Rod



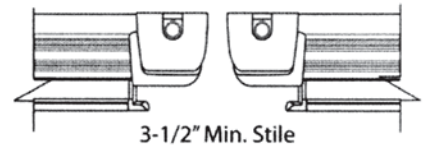
Specifications

ANSI A156.3, Grade 1

| | |
|-------------------|---|
| For Doors | 1-3/4" thick standard optional 2-1/4" thick. 4-1/2" minimum stile width required for single or double door application using standard 239 strike and pull or lever trims. |
| Chassis | Non-ferrous alloy (Panic Grade), steel (Fire Grade). |
| Cover | Brass, bronze or stainless steel. Cover stock hollow metal doors with 161 cut out. |
| Mounting | Furnished with wood and machine screws. Available with thru bolts on request. Thru bolts are included and standard packaging on rated devices. |
| End Cap | Brass, bronze or stainless steel construction. |
| Hand | Non handed, center hub. |
| Latch Bolt | Stainless steel 3/4" throw with anti-pick feature. |
| Spring | Stainless steel throughout. |
| ANSI standard | A156.3, Grade 1. |
| Rail Assembly | Heavy gauge extruded aluminum body with stainless. |
| Strike | 938 packed standard |
| Dogging Feature | Allen-type key furnished standard on non-fire labeled devices. |
| Mullion | Available. |
| UL and ULC Listed | OED1600 Series for panic. OED4600 Series for fire exit hardware for all types of 4' x 8' single doors and 8' x 8' double doors for up to 3 hours fire labeled installations, conforms to standards UL 10C and UBC 7-2-1997 codes. |
| Finish | Satin Stainless |
| Door size | OED1636 and OED4636 (FIRE) for 36" x 84" doors. OED1648 and OED4648 (FIRE) for 48" x 96" doors. |

MINIMUM STILE REQUIREMENTS

Double Door with Two Vertical Rod Type Exit Devices



| Part Number | Type | Length | Fire Rating |
|-----------------|---|--------|--------------|
| OED1636-32D-LHR | | 36" | N/A |
| OED1636-32D-RHR | | 36" | N/A |
| OED1648-32D-LHR | | 48" | N/A |
| OED1648-32D-RHR | Heavy Duty Vertical Rod, Less Bottom Rod, Exit Only | 48" | N/A |
| OED4636-32D-LHR | | 36" | 3 Hour Rated |
| OED4636-32D-RHR | | 36" | 3 Hour Rated |
| OED4648-32D-LHR | | 48" | 3 Hour Rated |
| OED4648-32D-RHR | | 48" | 3 Hour Rated |



TRIM FOR HEAVY DUTY EXIT DEVICES

OED1500, OED4600, OED4500 & OED4600

TRIM

| Part Number | Description |
|------------------|---|
| OED7700NEESC-26D | Entrance Pull Trim w/ Key, Grade 1, ANSI function 03/04 |
| OED7705NEESC-26D | Keyed Lever for all 1000/4000 Series Devices |
| OED7730NEESC-26D | Passage Lever for all 1000/4000 Series Devices |
| OED7700PK-26D | Keyed Pull Trim w/ Key, Grade 1, ANSI function 03/04 |
| OED1000STK | Overlapping Strike for all 1000/4000 Devices |



OED7700NEESC
OED7705NEESC

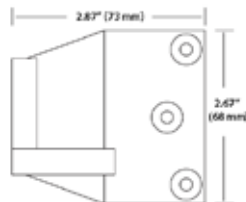


OED7700PK
14-5/16" x 2-5/8"



OED7730NEESC

OED1000STK
Overlapping Strike for Double Door
Use in 1000/4000 Series



ALARM KIT

- Optional Alarm Unit that can be installed into 1000/4000 series exit devices.
- Alarm unit has an internal horn. When push rail is depressed, the horn sounds.
- Key Switch to turn off alarm is standard 1-1/4" cylinder with C-Keyway.
- Operates on 1 standard 9-volt battery.
- Supplied with "EMERGENCY EXIT ONLY ALARM WILL SOUND" decal

| Part Number | Description |
|-------------|---|
| OEDALARM-36 | Alarm Kit for Installation on 4000 Series 36" Devices |
| OEDALARM-48 | Alarm Kit for Installation on 4000 Series 48" Devices |

DOOR CLOSERS



ORCA
HARDWARE™





MEDIUM DUTY POWER ADJUSTABLE DOOR CLOSER

**BLACK FINISH
COMING Q1-2022**

BHDC 2011

- Commercial Door Closer for use in:
 1. Office Buildings
 2. Shopping Centers
 3. Mixed-Use Buildings
 4. Multi-family Residences
- Multi-sized Closer: Adjustable 1-6
- BHMA Certified Grade 1, ANSI 156.4
- UL Listed
- Heavy Duty Cast Aluminum Body
- Full Plastic Cover
- Adjustable Back-check Function
- Needle-bearing Application for Higher Efficiency and Smoother Operation
- Adjustable for Barrier-free Compliance
- Packet: 6 per case
- 10 Year Warranty

- Power Adjustable: Size 1-6
- Finishes: Plastic Cover: AL, Duro, Black
- Parallel Arm Bracket for Tri-Packed Application:
 1. Regular Arm Pull Size Mounting
 2. Parallel Arm Push Side Mounting
 3. Top Jamb Push Side Mounting
- Sex Nuts and Bolts
- For Interior Doors Up to 60" Wide
- For Exterior Doors Up to 48" Wide

| Part No. | Back Check | Hold Open | Barrier Free | Cover |
|---------------------------------|------------|-------------------|--------------|-------|
| BHDC2011RA/PA Regular Arm | Yes | Order HO Below | Yes | Yes |
| BHDC2011DA/PA Delayed Action | Yes | No | Yes | Yes |
| BHDC2011HO/PA Hold Open Arm | Yes | Yes | Yes | Yes |

Additional Cush Arm

| Part No. | Description |
|----------|-------------------------------------|
| ARM2011C | Cush Arm for BHDC2011 w/o Hold Open |



AL, DURO & BLACK finishes available

Order Drop Plates Separately, see page 64.



HEAVY DUTY MULTI-SIZE FULL FEATURE CLOSER

BHDC 1958

**BLACK FINISH
COMING Q1-2022**



- Easy to install and superior engineering
- Complies with ANSI A156.4 Grade 1
- UL Listed
- ADA (Handicap) multi-sized closers with adjustable Spring Power for a range of sizes adjustable after installation
- Manufactured under ISO 9001 guidelines
- Tri-Style installation: Installs regular, parallel arm or top jamb
- Non-Handed, installs on either side of door
- Adjustable Sweep and Latch speeds, separate valves to adjust each speed
- Adjustable Back-check standard
- Adjustable Delayed Action Closing Option, closers to be furnished with delayed action feature, suffix "DA" to catalog number
- Cast iron body, cover made of High Impact UL Listed molded plastic cover
- Power of closer can be adjusted to conform to the requirements of the Americans with Disabilities Act (ADA) and as outlined in ANSI A117.1 Specifications for making buildings and facilities accessible to and usable by the physically handicapped
- Door Opening: regular arm 120, parallel arm 180, and top jamb 120
- Finishes: Plastic Cover - AL, Duro, Black
- 10 Year Warranty
- Sex Nuts and Bolts
- For Interior Doors Up to 60" Wide
- For Exterior Doors Up to 48" Wide

| Part No. | Back Check | Hold Open | Barrier Free | Cover |
|---------------------------------|------------|----------------|--------------|-------|
| BHDC1958RA/PA Regular Arm | Yes | Order HO Below | Yes | Yes |
| BHDC1958DA/PA Delayed Action | Yes | No | Yes | Yes |
| BHDC1958HO/PA Hold Open Arm | Yes | Yes | Yes | Yes |

Additional Arms

| Part No. | Description |
|------------|-------------------------------------|
| ARM1958C | Cush Arm for BHDC1958 w/o Hold Open |
| ARM1958EXT | Extended Arm for BHDC1858 |

AL, DURO & BLACK finishes available



Order Drop Plates Separately,
see page 64.



DROP PLATE INSTALLATION INSTRUCTIONS

| Part No. | Description |
|----------|-------------|
|----------|-------------|

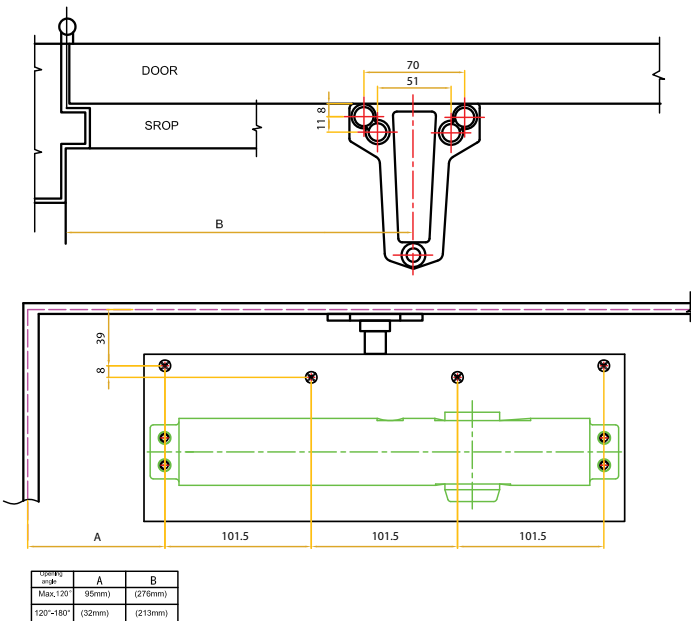
| | |
|-------------|-------------------|
| 1958DP-18PA | Large Drop Plate |
| 1958DP-18 | Narrow Drop Plate |
| 1958DP-18G | Narrow Drop Plate |
| 1958DP-18JT | Narrow Drop Plate |

| | |
|-------------|-------------------|
| BHDC2011LDP | Large Drop Plate |
| BHDC2011NDP | Narrow Drop Plate |

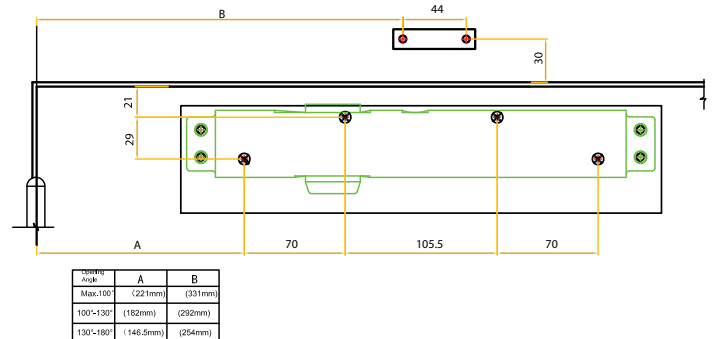
AL, DURO, & Black finishes available

BHDC2011 Series Installation Template with Drop plate

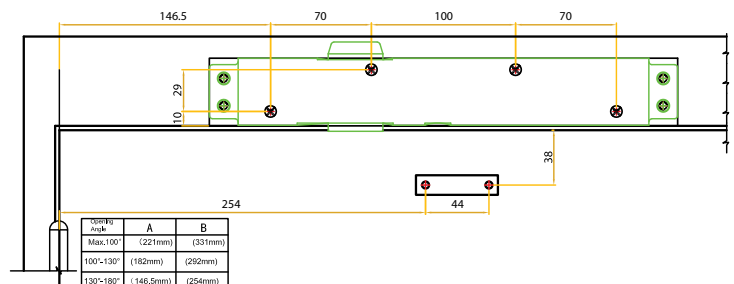
Parallel installation template with PA



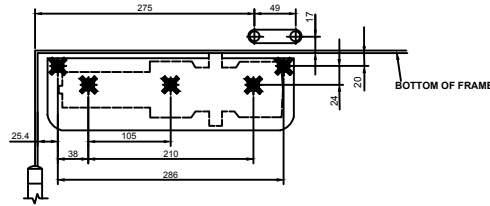
Regular installation template with REG



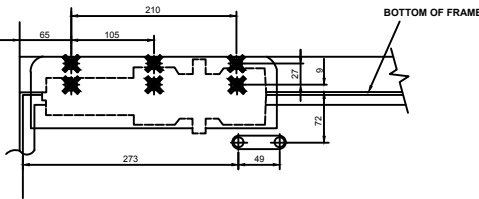
Top Jamb installation template with REG



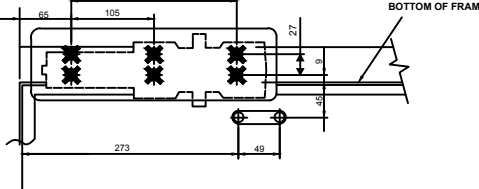
Installation Instructions with 1958DP-18



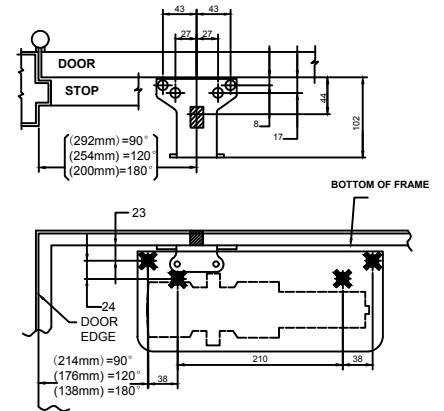
Installation Instructions with 1958DP-18G



Installation Instructions with 1958DP-18TJ



Installation Instructions with 1958-18PA



NOTED:
BEFORE INSTALLING CLOSER TURN BACKCHECK SELECTOR VALVE (FOUND ON THE UNDERSIDE OF THE DOOR CLOSER) ALL THE WAY IN (CLOCKWISE)

ORCA
HARDWARE™



orcahardware.com