



Multi-Family Architectural Guide



TABLE OF CONTENTS

1-8 HINGES	100-109 DOOR CLOSERS
1-3 COMMERCIAL HINGES	100-101 GC4400 SERIES
4-6 RESIDENTIAL HINGES	102-103 GC5900 SERIES
7-8 CONTINUOUS GEARED HINGES	104-105 GC6800 SERIES
9-28 COMMERCIAL LOCKS	106-107 GC8700 SERIES
9-12 MS SERIES GRADE 1 MORTISE LOCKS	108-109 GC800 SERIES
13-14 FYA SERIES GRADE 1 CYLINDRICAL LOCKS	110-129 DOOR HARDWARE
15 FYA SERIES ELECTRIFIED LOCKS	110 THRESHOLDS / WEATHERSTRIPS
16 FDP GRADE 1 DEADBOLTS	111 SURFACE OVERHEAD DOOR STOPS
17-18 FYC SERIES GRADE 2 CYLINDRICAL LOCKS	112-113 COMMERCIAL FLUSH BOLTS
19-20 FLB SERIES GRADE 2 TUBULAR LOCKS	114 HINGE PIN / WALL / DOME STOPS
21 FD7 GRADE 2 DEADBOLTS	115 DOOR HOLDERS / FLOOR STOPS / DOOR GUARDS
22-23 FD8 REMOVABLE CYLINDER DEADBOLTS	116 ROLLER CATCHES / LATCH GUARDS / PUSH & PULL PLATES
24-27 FI INTERCONNECTED LOCKS	117 KICK PLATES / MOP PLATES / ARMOR PLATES
28 SFIC, RIM CYLINDERS & MORTISE CYLINDERS	118 BARN DOOR HARDWARE
29-47 RESIDENTIAL LOCKS	119-120 DOOR VIEWERS & KNOCKERS
29-30 ELECTRONIC LOCKS - KAPTURE	121 NUMBERS & LETTERS / CRASH CHAINS
31-34 ELECTRONIC KEYPAD LOCKS	122 DOOR / SPRING STOPS
35-36 CONTEMPORARY SERIES	123 HINGE PIN STOPS
37-40 HANDLESETS	124 BALL / ROLLER CATCHES & MAG KATCH
41-43 LEVERSETS	125 FLUSH / SURFACE BOLTS
44-45 KNOBSETS	126 HANDRAIL BRACKETS
46-47 DEADBOLTS	127 BI-FOLD KNOBS / CLOSET HARDWARE
48-89 EXIT DEVICES	128 CLOSET HARDWARE
48-59 E9000 SERIES	129 SLIDING DOOR LOCKS
60-68 E9100 SERIES	130-140 BATH ACCESSORIES
69-72 E9300 SERIES	130 SOLANO / VINA COLLECTIONS
73-78 E7000 SERIES	131 CHARLESTON / VENTURA COLLECTIONS
79-84 E5000 SERIES	132 CARMEL / SEAL BEACH COLLECTIONS
85-88 E8000 SERIES	133 ESTES / CAMPBELL COLLECTIONS
89 MULLIONS	134 CORONA / EDISON COLLECTIONS
90-99 ACCESS CONTROL	135 GRAB BARS
90-91 ENKORE SMART	136-137 CURVED SHOWER RODS
92-93 KONETIK	138 SHOWER RODS
94-95 KAPTURE	139-140 HOSPITALITY ACCESSORIES
96 ELECTRIC STRIKES	
97 MAGNETIC DOOR HOLDERS	
98 POWER TRANSFER DEVICES	
99 POWER SUPPLY	



ABOUT PAMEX

Established in 1985, Pamex is a leading manufacturer and distributor of builders' hardware. Quality products and outstanding customer service are the hallmarks of Pamex. Our major product lines include commercial and residential door locksets, door closers, exit devices, hinges, bath accessories, miscellaneous door hardware, and access control system.

We offer high quality and durable products at significant value to all our customers. Our two distribution centers in Chino, California and Concord, North Carolina inventory products in substantial volume to ensure that we can complete any multi-family, single-family, or commercial projects.

Our services include specification writing, submittal reviews, fire and accessibility code expertise, and keying schedule. We also provide in-house keying services, order entry, and shipping management. Our dedicated customer service team ensures that we provide the best service all along the way.

MISSION

To provide extraordinary service and supply quality products to meet customer needs and exceed their expectations
To continuously improve upon our services and products by embracing innovation and new challenges

WHY PAMEX?

Here are seven main reasons to choose Pamex as your hardware solution:

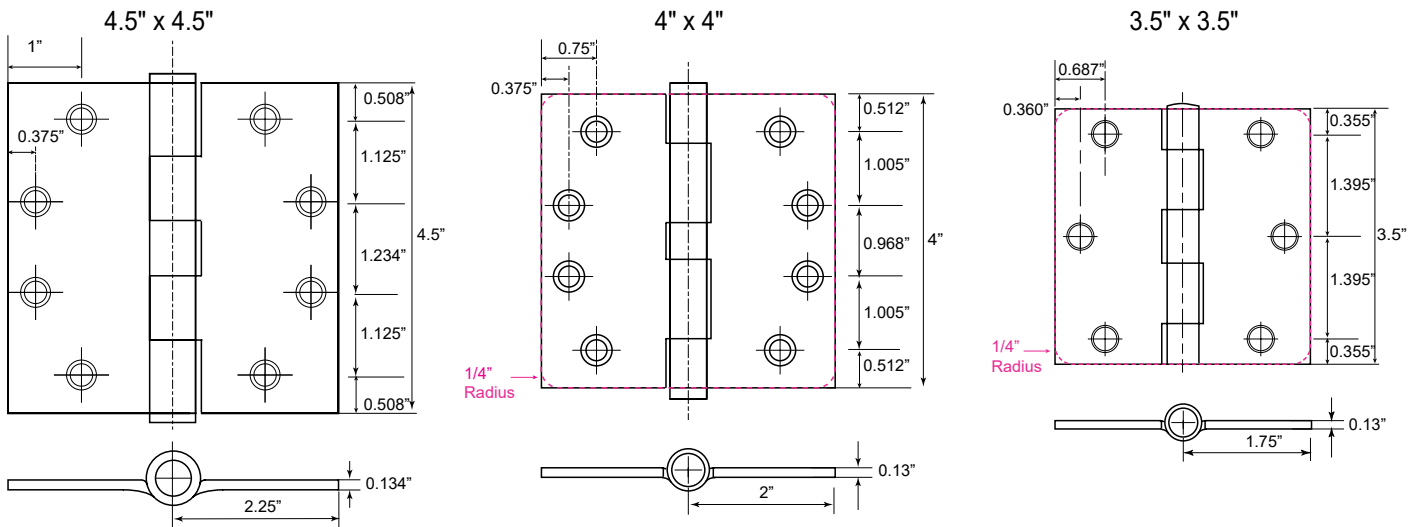
1 SERVICE	Our unparalleled level of customer service ensures you our full support every step of the way.
2 CONVENIENCE	We are a one-stop shop for hardware products and services, including in-house rekeying and creation of keying schedules, specifications writing, codes and compliance consultation, and substitution request.
3 RESPONSIVENESS	We process and ship your orders smoothly and quickly.
4 KNOWLEDGE	We have a wealth of expertise on codes, products, and the industry.
5 QUALITY	Our high quality and durable products offer the best of security with warranty to back up our promise.
6 COST	We keep your project in budget with durable, cost-effective hardware solutions and easy upgrades.
7 INTEGRITY	We hold ourselves to the highest standard in every way.

PLAIN BEARING

- Full mortise
- 5 Knuckles, plain bearing
- Steel material with steel pin
- Timely template
- Phillips flat-head screws included (machine and wood)
- ANSI A156.1



Model #	Size	Radius	Gauge	Type
H45-00N	4.5" x 4.5"	Square	0.134"	NRP
H45-00R	4.5" x 4.5"	Square	0.134"	Removable
H44-00N	4" x 4"	Square	0.130"	NRP
H44-00R	4" x 4"	Square	0.130"	Removable
H44-10N	4" x 4"	1/4"	0.130"	NRP
H44-10R	4" x 4"	1/4"	0.130"	Removable
H35-00R	3.5" x 3.5"	Square	0.130"	Removable
H35-10R	3.5" x 3.5"	1/4"	0.130"	Removable



FINISH AVAILABILITY (See detailed list of available items in Pamex Price Book)

Pamex Code	P	SB	BL	SN	SC	OB	CP	SS
US Code	P	4	L1	15	26D	10B	26	32D
BHMA code	600	606	631	646	652	640	625	630
Description	Prime Coat	Satin Brass	Matte Black	Satin Nickel	Satin Chrome	Oil Rubbed Bronze	Chrome	Satin Stainless Steel

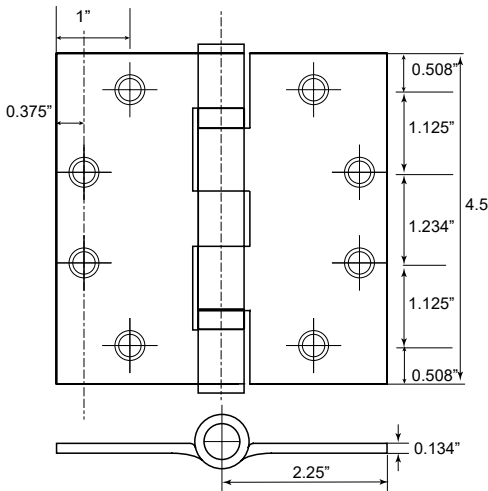
2 or 4 BALL BEARING

- Full mortise
- 5 knuckles, 2 or 4 ball bearing
- Steel material with steel pin
- Timely template
- Phillips flat-head screws included (machine and wood)
- ANSI A156.1

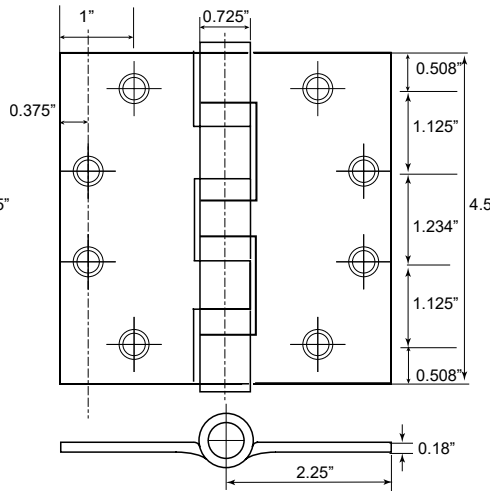


Model #	Size	Radius	Gauge	Type
H45-02N	4.5" x 4.5"	Square	0.134"	NRP
H45-04N	4.5" x 4.5"	Square	0.134"	NRP
H45-02R	4.5" x 4.5"	Square	0.134"	Removable
H44-02N	4" x 4"	Square	0.130"	NRP
H44-02R	4" x 4"	Square	0.130"	Removable
H44-12N	4" x 4"	1/4"	0.130"	NRP
H44-12R	4" x 4"	1/4"	0.130"	Removable

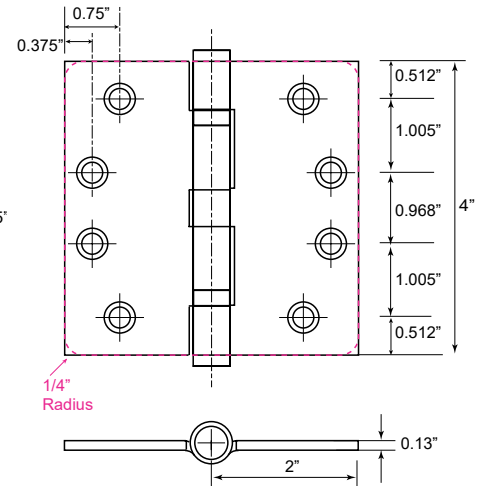
4.5" x 4.5" H45-02N/R



4.5" x 4.5" H45-04N



4" x 4"



FINISH AVAILABILITY (See detailed list of available items in Pamex Price Book)

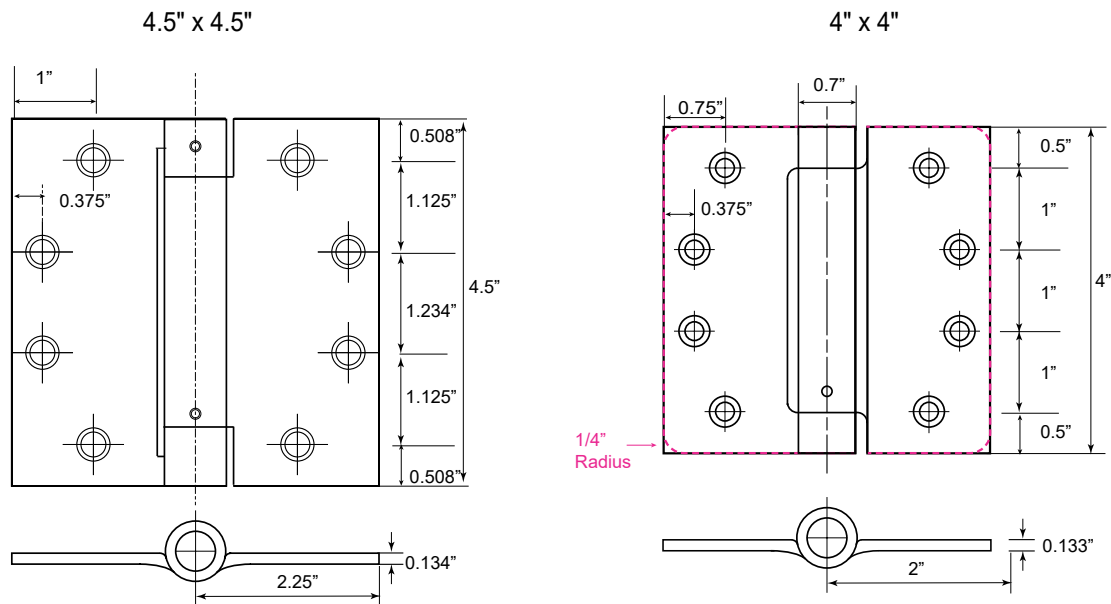
Pamex Code	P	SB	BL	SN	SC	OB	CP	SS
US Code	P	4	L1	15	26D	10B	26	32D
BHMA code	600	606	631	646	652	640	625	630
Description	Prime Coat	Satin Brass	Matte Black	Satin Nickel	Satin Chrome	Oil Rubbed Bronze	Chrome	Satin Stainless Steel

SPRING HINGE

- UL listed
- ANSI A156.17, Grade 1
- UL10C for positive pressure fire test
- Steel material with steel pin
- Timely template
- Phillips flat-head screws included (machine and wood)



Model #	Size	Radius	Gauge
H45S-00	4.5" x 4.5"	Square	0.134"
H44S-00	4" x 4"	Square	0.133"
H44S-10	4" x 4"	1/4"	0.133"



FINISH AVAILABILITY (See detailed list of available items in Pamex Price Book)

Pamex Code	P	BL	SN	SC	OB	CP	SS
US Code	P	L1	15	26D	10B	26	32D
BHMA code	600	631	646	652	640	625	630
Description	Prime Coat	Matte Black	Satin Nickel	Satin Chrome	Oil Rubbed Bronze	Chrome	Satin Stainless Steel

PLAIN BEARING

- Full mortise
- 5 Knuckles, plain bearing
- Steel material with steel pin
- Non-template
- Phillips flat-head wood screws included

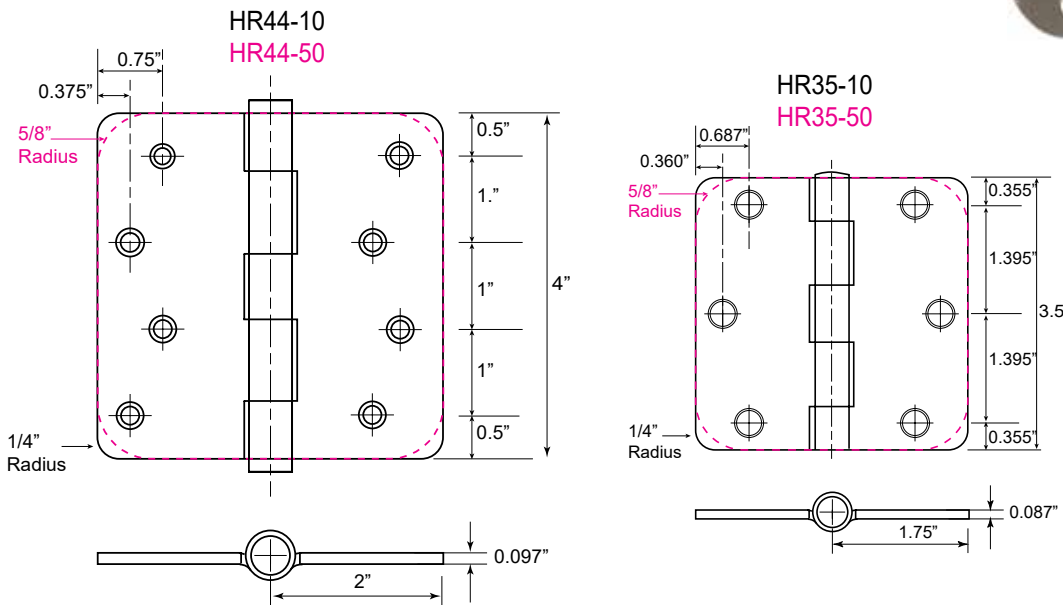
Model #	Size	Radius	Gauge	Type
HR44-10N	4" x 4"	1/4"	0.097"	NRP
HR44-10R	4" x 4"	1/4"	0.097"	Removable
HR44-50N	4" x 4"	5/8"	0.097"	NRP
HR44-50R	4" x 4"	5/8"	0.097"	Removable
HR35-10R	3.5" x 3.5"	1/4"	0.087"	Removable
HR35-50R	3.5" x 3.5"	5/8"	0.087"	Removable



HR44



HR35



FINISH AVAILABILITY (See detailed list of available items in Pamex Price Book)

Pamex Code	P	SB	BL	SN	SC	OB	CP
US Code	P	4	L1	15	26D	10B	26
BHMA code	600	606	631	646	652	640	625
Description	Prime Coat	Satin Brass	Matte Black	Satin Nickel	Satin Chrome	Oil Rubbed Bronze	Chrome

2 BALL BEARING

- Full mortise
- 5 Knuckles, 2 ball bearing
- Steel material with steel pin
- Non-template
- Phillips flat-head wood screws included

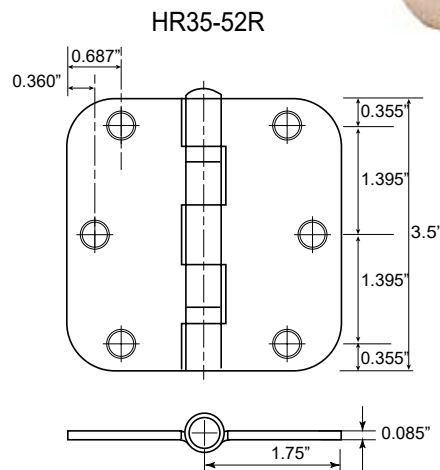
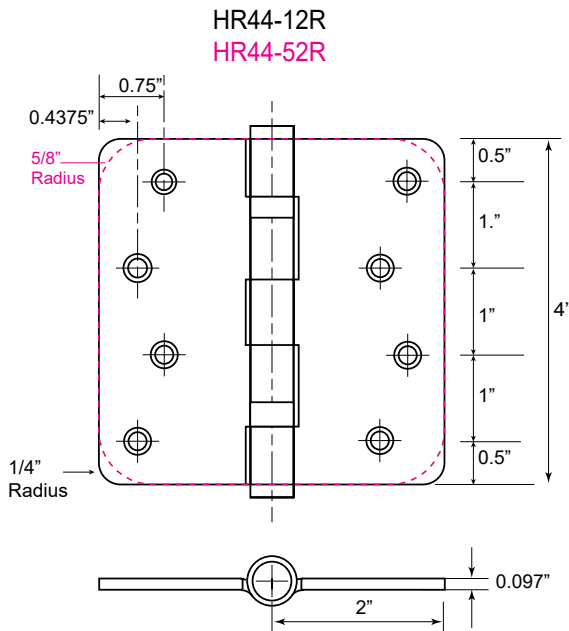


HR44-52R



HR35-52R

Model #	Size	Radius	Gauge	Type
HR44-12R	4" x 4"	1/4"	0.097"	Removable
HR44-52R	4" x 4"	5/8"	0.097"	Removable
HR35-52R	3.5" x 3.5"	5/8"	0.097"	Removable



FINISH AVAILABILITY (See detailed list of available items in Pamex Price Book)

Pamex Code	P	SB	BL	SN	SC	OB	CP
US Code	P	4	L1	15	26D	10B	26
BHMA code	600	606	631	646	652	640	625
Description	Prime Coat	Satin Brass	Matte Black	Satin Nickel	Satin Chrome	Oil Rubbed Bronze	Chrome

SPRING HINGE



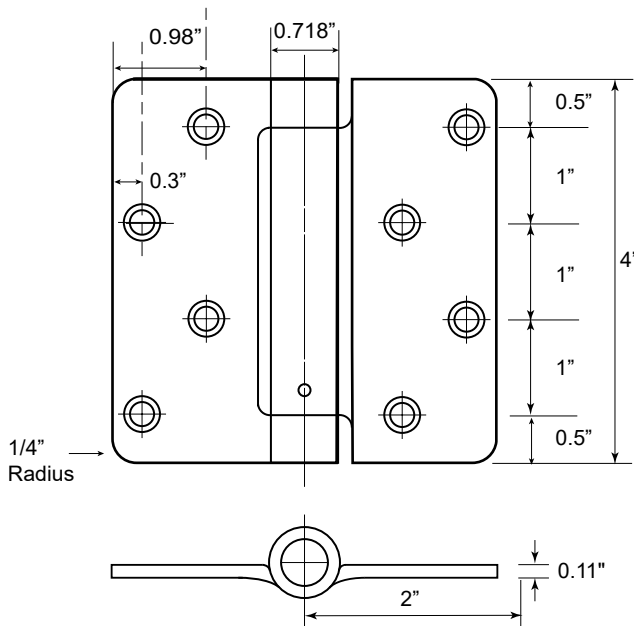
- UL listed
- ANSI A156.17, Grade 1
- UL10C for positive pressure fire test
- Steel material with steel pin
- Non-template
- Phillips flat-head machine and wood screws included



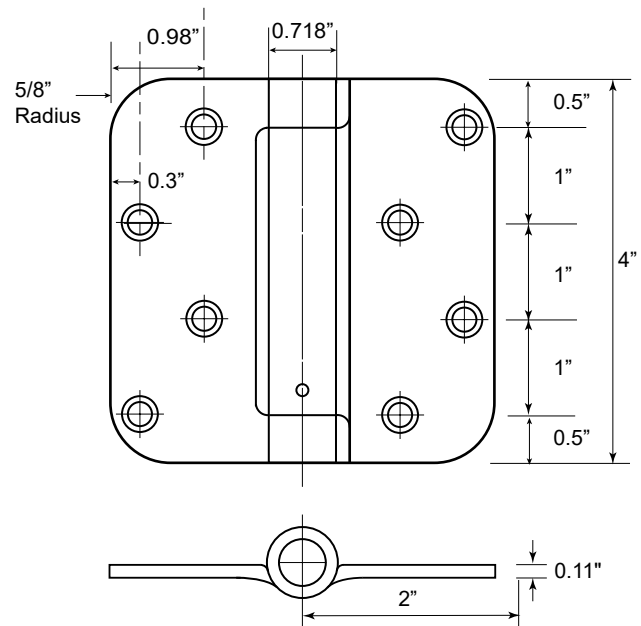
HR44S-50

Model #	Size	Radius	Gauge
HR44S-10	4" x 4"	1/4"	0.110"
HR44S-50	4" x 4"	5/8"	0.110"

HR44S-10



HR44S-50

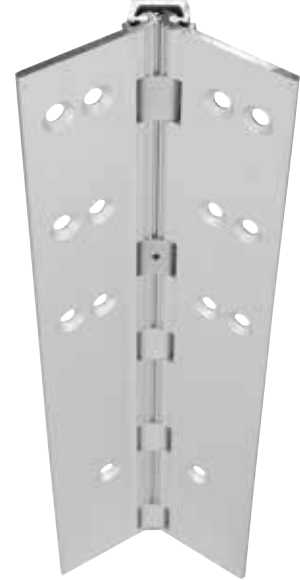


FINISH AVAILABILITY (See detailed list of available items in Pamex Price Book)

Pamex Code	P	SB	BL	SN	SC	OB	CP
US Code	P	4	L1	15	26D	10B	26
BHMA code	600	606	631	646	652	640	625
Description	Prime Coat	Satin Brass	Matte Black	Satin Nickel	Satin Chrome	Oil Rubbed Bronze	Chrome

FULL MORTISE

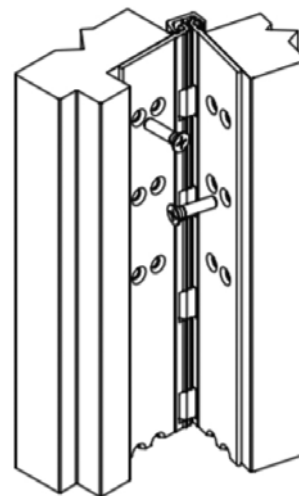
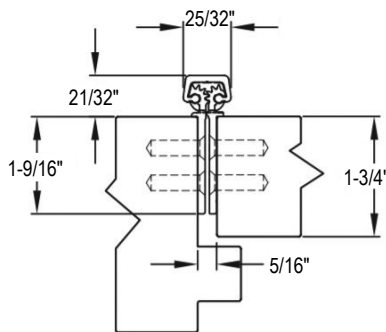
- Full mortised, heavy-duty
- No door inset, flush mount
- 450 lbs. door weight maximum
- 48" door width maximum
- Material: Aluminum
- Fasteners: 12-24x7/8" undercut self-drilling, thread-forming tek machine screws
- Fire Rating: Approved for use on metal swinging type fire doors rated up to and including 90 minutes and on wood swinging type fire doors rated up to and including 60 minutes



Model #	Type	Insert	Length
HCFM110-83	Full Mortise	No Insert	83"
HCFM110-95	Full Mortise	No Insert	95"

FINISH AVAILABILITY

- Clear
- Dark Bronze



CROSS REFERENCES

PAMEX	Hager	Pemko	McKinney	Stanley	Ives	ABH	Select	Cal-Royal
HCFM110	780-112	FM SLF	MCK-12	661	112	A110	SL11	CRHD781120

FULL SURFACE

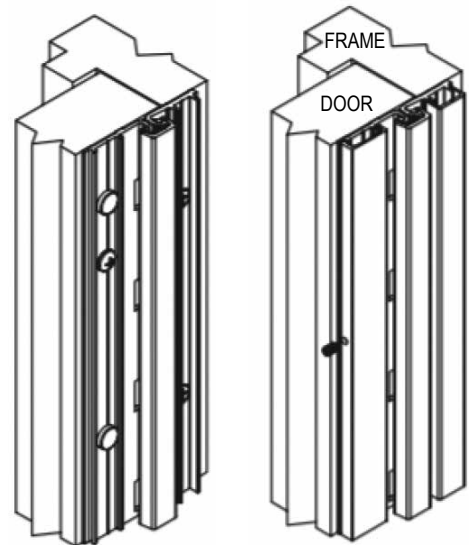
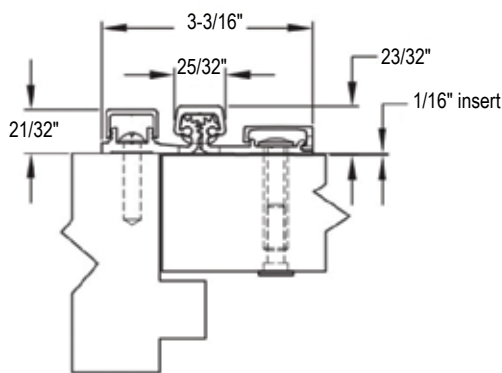
- Full surface, heavy-duty
- 1/16" door inset
- For narrow-faced frames
- 450 lbs. door weight maximum
- 48" door width maximum
- Material: Aluminum
- Fasteners: 12-24x7/8" undercut self-drilling, thread-forming tek machine screws for frame and 1/4"-20 sex bolts and shoulder bolts for door.
- Fire Rating: Approved for use on metal swinging type fire doors rated up to and including 90 minutes and on wood swinging type fire doors rated up to and including 60 minutes



Model #	Type	Insert	Length
HCFS570-83	Full Surface	1/16"	83"
HCFS570-95	Full Surface	1/16"	95"

FINISH AVAILABILITY

- Clear
- Dark Bronze



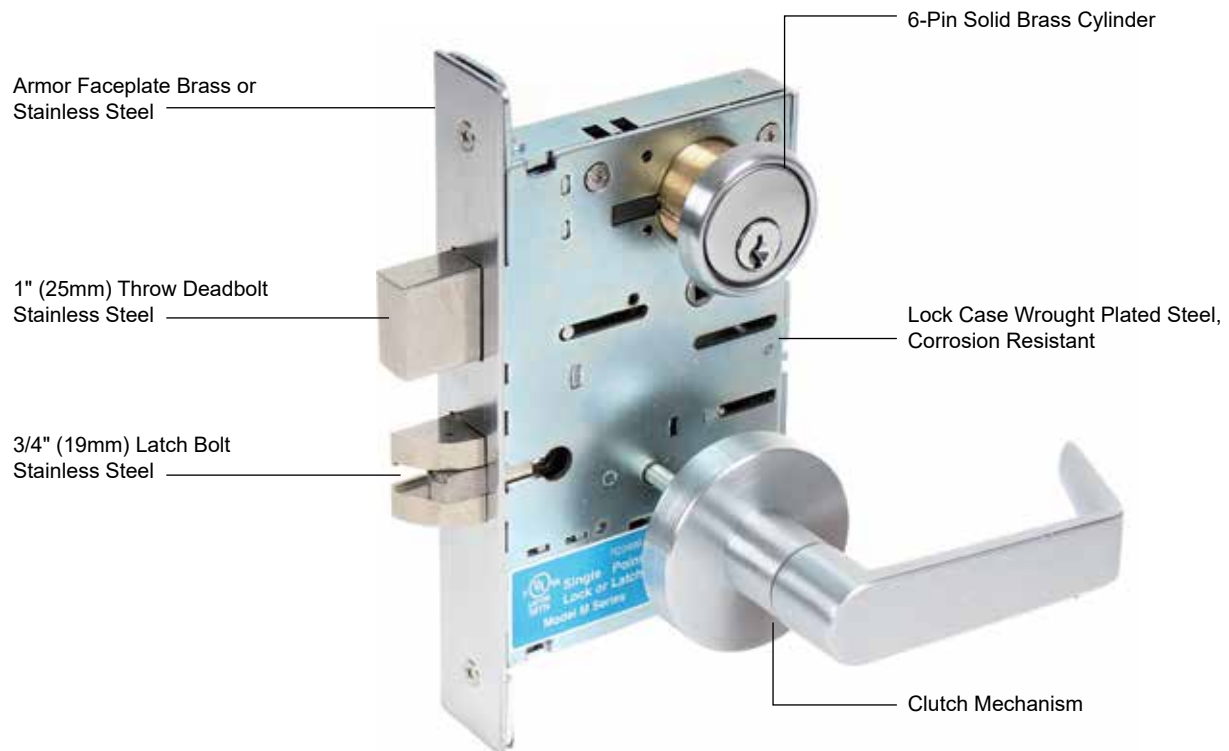
CROSS REFERENCES

PAMEX	Hager	Pemko	McKinney	Stanley	Ives	ABH	Select	Cal-Royal
HCFM570	780-157	FS CP	MCK-58	664	157	A570	SL57	CRHD781570

Grade 1 Heavy Duty Mortise Locks



- ANSI A156.13, Series 1000, Grade 1
- Meets ADA requirements
- 3-hour UL fire rated
- Meet positive pressure requirements
UL 10C and UBC 7-2 (1997)
- I/C Core lockset available
- Clutch mechanism



FEATURES & OPTIONS

For Doors

1-3/4" thick standard. For doors over 1-3/4" specify door thickness

Lock Hand

Lock bodies are easily field reversible

Backset

2-3/4" only

Lock Case

Heavy duty wrought steel, zinc dichromate plated

Center to Center

3-7/8" (98mm)

Armor Faceplate

Stainless steel; 8"x1-7/32"; ANSI standard A115.1

Deadbolt

1" throw, hardened stainless steel

Latchbolt

3/4" throw, one-piece stainless steel with anti-friction reversible tongue

Auxiliary Latch

Stainless steel, non-handed

Toggle Button

High rust-resistant chrome plated zinc alloy

Trims

As specified, see page 11

Strike

Stainless steel, ANSI standard A115.1 curve lip with dust box

Cylinder & Keyways

6-pin SC "C" keyway solid brass cylinder standard.

Also available in:

5-pin SC keyway

5-pin KW keyway

6 or 7-pin SFIC

Finishes

US26D. Other finishes available with factory lead-time.

CODE COMPLIANCE

- Meets ANSI/BHMA A156.13, Series 1000, Grade 1
- Meets ADA Requirements
- UL 3-Hour Fire Rated
- Meet positive pressure requirements UL 10C and UBC 7-2 (1997)



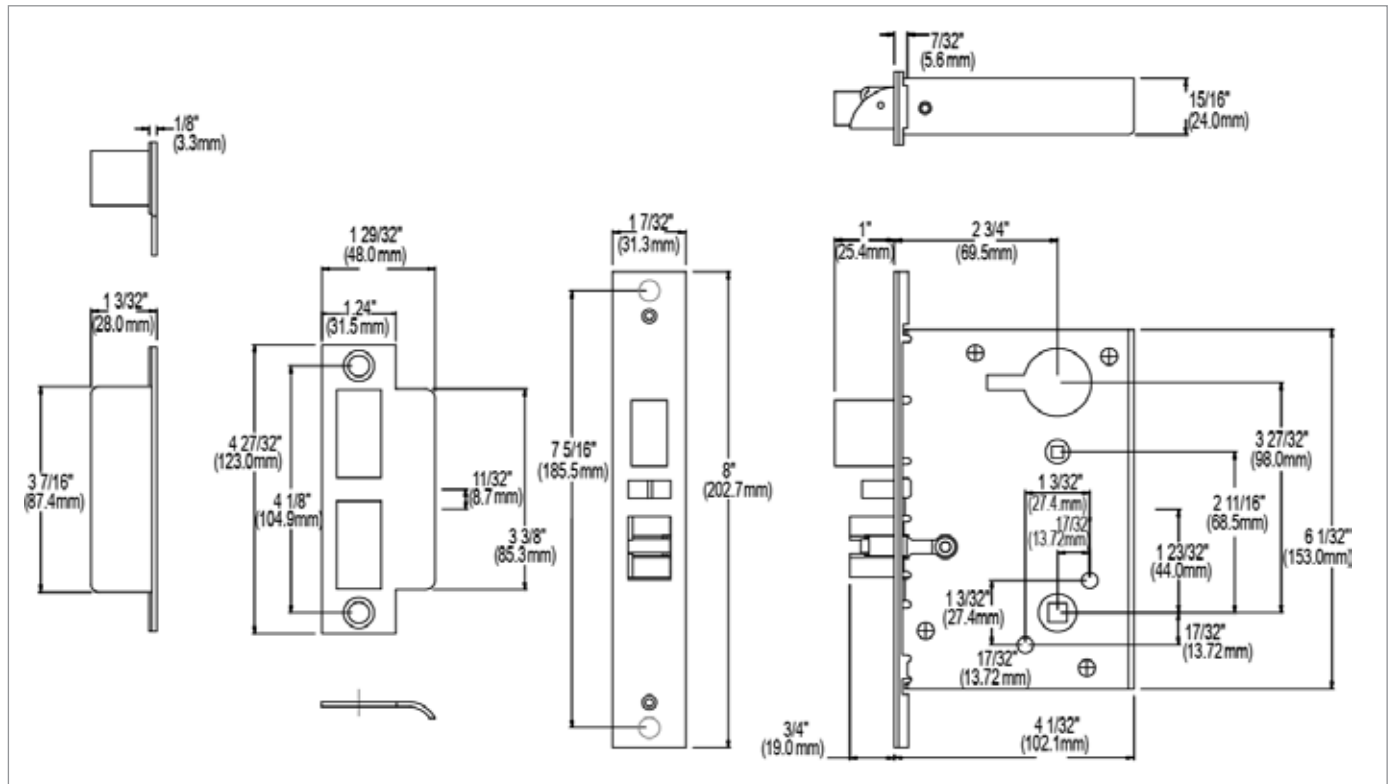
ADA



LISTED



Be Safe. Be Secure. Look for the Mark.



HOW TO ORDER

MS - YT S 07 A

Options

A - IC Core Housing

Function

- 01 - Passage
- 04 - Office/Entry
- 05 - Classroom
- 07 - Storeroom
- 09 - Apartment Entrance
- 13 - Corridor (Dormitory or Exit)
- 14 - Store/Utility Room

- 16 - Double Cylinder
- 17 - Cylinder x Thumbturn
- 18 - Cylinder
- 20 - Entrance
- 21 - Dormitory/Bedroom
- 30 - Institution

Finish

S - Satin Chrome

**Lever Style
(Sectional Trim)**

- YT
- YM
- YH
- YR

(Escutcheon Plate)

- EYT
- EYM
- EYH
- EYR

Series

MS - Mortise

SECTIONAL TRIMS



YT Lever



YM Lever



YH Lever



YR Lever

ESCUTCHEON PLATE TRIMS



EYT Lever



EYM Lever
















EYH Lever



EYR Lever

FUNCTIONS

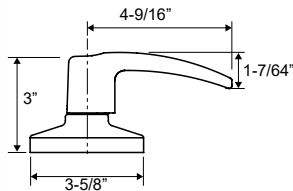
Code	Function	Description
1	 Passage (F01)	Latchbolt retracted by lever from either side at all times. Inside lever always free for immediate egress.
4	 Office/Entry (F04)	Latchbolt retracted by lever from either side unless outside lever is locked by key or thumbturn. With outside locked, latchbolt retracted by key or inside lever. Outside lever locked until unlocked by thumbturn or key. Auxiliary latch deadlocks latchbolt when door is closed. Inside lever always free for immediate egress.
5	 Classroom (F05)	Latchbolt operated by lever either side except when outside lever is locked from outside by key or push button mechanism. When outside is locked latchbolt is retracted by key or by operating key or push button, and outside lever from outside or by operating inside lever. Auxiliary deadlatch.
7	 Storeroom (F07)	Latchbolt operated by key outside or by operating inside lever. Outside lever always inoperative. Auxiliary deadlatch.
9	 Apartment Entrance Lock (F09)	Latchbolt retracted by knob/lever from either side unless outside is locked by key from inside. When locked, latchbolt retracted by outside key or inside knob/lever. Auxiliary latch deadlocks latchbolt when door is closed. Inside lever always free for immediate egress.
13	 Corridor Lock (F13) (Dormitory or Exit)	Latchbolt retracted by lever/knob from either side. Deadbolt actuation by key or thumbturn rotation. Throwing deadbolt locks outside lever/knob. Turning inside knob/lever retracts both deadbolt and latchbolt and unlocks outside lever/knob. Inside lever always free for immediate egress.
14	 Store/Utility Room Lock w/ Deadbolt (F14)	Latchbolt retracted by knob/lever from either side. Deadbolt actuated by either key.
16	 Double Cylinder (F16)	Deadbolt actuated by either key.
17	 Cylinder Thumbturn (F17)	Deadbolt actuated by key or thumbturn.
18	 Cylinder (F18)	Deadbolt actuated by key. No trim on opposite side.
20	 Entrance Lock (F20)	Latchbolt retracted by lever/knob from either side unless outside locked by 20° thumbturn rotation. Deadbolt actuation through 90° thumbturn rotation. When locked, outside key or inside lever/knob retracts both deadbolt and latchbolt. Outside lever/knob locked until thumbturn is restored to vertical position. Throwing deadbolt locks outside lever/knob. Auxiliary latch deadlocks latchbolt when door is closed. Inside lever always free.
21	 Dormitory/Bedroom (F21)	Latchbolt retracted by lever/knob from either side. Deadbolt actuation by outside key or inside thumbturn.
30	 Institution Lock (F30)	Latchbolt retracted by key from either side. Knob/lever on both sides always inoperative. Auxiliary latch deadlocks latchbolt when door is closed.

Grade 1 Heavy-Duty Cylindrical Leversets

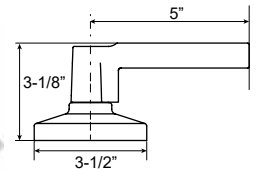


- ANSI A156.2, Series 4000, Grade 1
- Heavy-duty cylindrical leversets
- Push button
- Meets ADA requirements
- 3-hour fire rated
- I/C Core lockset available
- Clutch mechanism

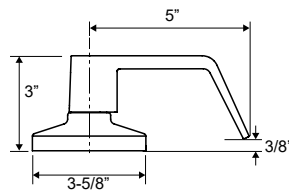
Alameda - FYH



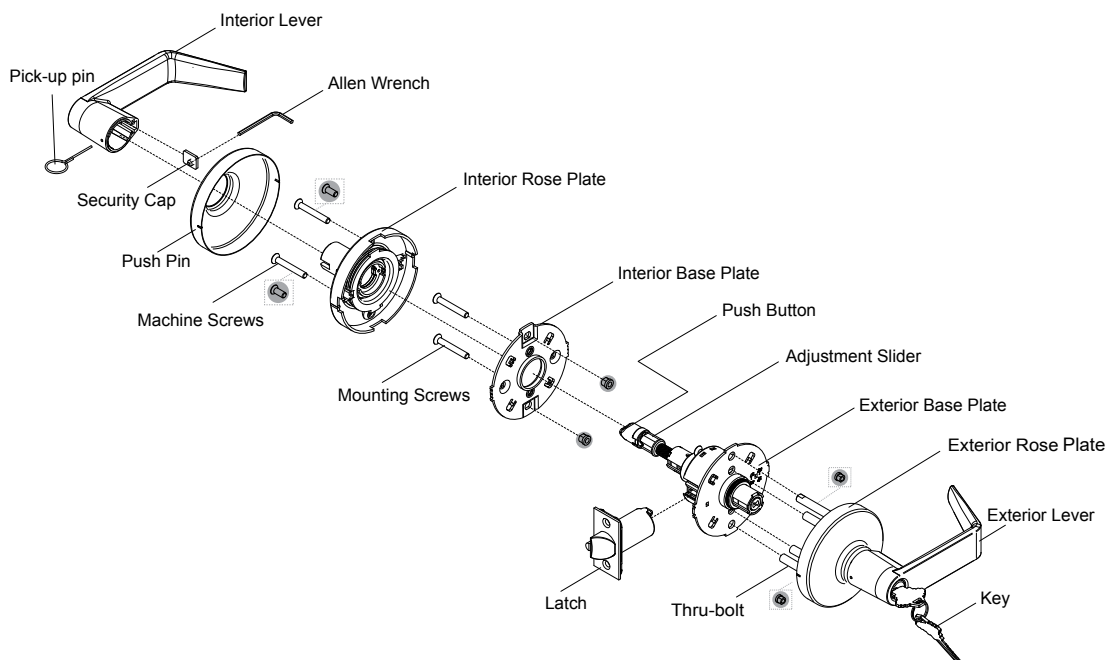
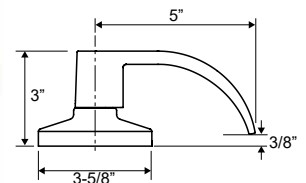
Mesa - FYS



Annapolis - FYT



Pendleton - FYM



FEATURES & OPTIONS

Latch Backset

Exterior: 2-3/4" UL deadlatch standard
 Interior: 2-3/4" UL plainlatch standard
 (other options available)

Faceplate

1-1/8" x 2-1/4" square corner standard
 (other options available)

Bolt

1/2" throw, 3/4" throw available as option

Door Thickness

Fit 1-3/8" to 2-1/4"

Cylinder

6-pin SC "C" keyway solid brass cylinder standard.
 Also available in:
 5-pin SC keyway
 5-pin KW keyway
 6 or 7-pin SFIC

Strike Plate

4-7/8" x 1-1/4" ASA strike standard
 (other options available)

Handing

Reversible for left or right hand doors

Clutch Mechanism

Free turning handle in the locked position,
 without retracting latch to prevent breaking of handle

HOW TO ORDER

FYT 0 0 C

Keyway

C - SC or KW
 D - I/C Core

Function

0 - Entry (F109)
 1 - Privacy (F76)
 3 - Passage (F75)
 4 - Dummy
 5 - Storeroom (F86)
 8 - Classroom (F84)
 C - Communicating (F80)

Finish

0 - Oil Rubbed Bronze
 P - Satin Nickel
 9 - Matte Black
 S - Satin Chrome

Series

FYT - Annapolis
 FYH - Alameda
 FYS - Mesa
 FYM - Pendleton

CODE COMPLIANCE

- Meets ANSI/BHMA A156.2, Series 4000, Grade 1
- Meets ADA Requirements
- UL 3-Hour Fire Rated



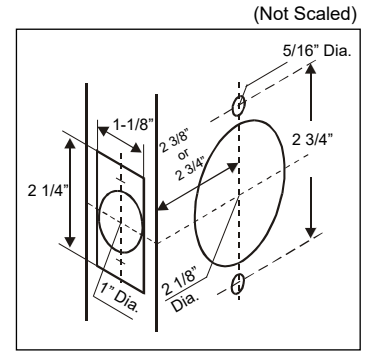
ADA



LISTED



BHMA CERTIFIED



Door Preparation

FUNCTIONS

Code	Function	Description
0	Entry (F109)	Turn/Push button locking; PUSHING button locks outside level until unlock with key or inside lever is turned. PUSHING and TURNING inside button locks outside lever requiring use of key to open until button is manually unlocked. Inside lever always free.
1	Privacy (F76)	Outside lever locked by pushing inside pushbutton and unlocked by a coin or screwdriver outside. Closing door releases pushbutton. Inside always free.
3	Passage (F75)	Both levers always free.
4	Half Dummy	Single dummy trim for pull only.
5	Storeroom (F86)	Outside lever is free turning when in locked position and unlocked by key only. Inside always free.
8	Classroom (F84)	Outside lever is free turning when in locked position and locked or unlocked by key. Inside always free.
C	Communicating (F80)	Deadlocking latch bolt operated by lever either side. Turning key in trim locks, or unlocks, its own lever independently.

FINISH AVAILABILITY

(Other finishes available upon request with lead-time)

Pamex Code	0	P	9	S
US Code	10B	15	19	26D
BHMA code	613	619	622	626
Alameda - FYH	•	•		•
Annapolis - FYT	•	•	•	•
Mesa - FYS		•	•	•
Pendleton - FYM	•	•		•

FEATURES & OPTIONS

Electrical Specification

Voltage: Dual 12/24VDC Input
Current: 600/300mA @ 12/24VDC

Function

- Fail-Safe
- Fail-Secure

Latch Backset

Exterior: 2-3/4" UL deadlatch standard
(other options available)

Faceplate

1-1/8" x 2-1/4" square corner standard
(other options available)

Bolt

1/2" throw, 3/4" throw available as option

Door Thickness

Fit 1-3/8" to 2-1/4"

Cylinder

6-pin SC "C" keyway solid brass cylinder standard
Also available in:
5-pin KW keyway
6 & 7-pin small format I/C core, Best A2 keyway

Strike Plate

4-7/8" x 1-1/4" ASA strike standard
(other options available)

Handing

Reversible for left or right hand doors

Clutch Mechanism

Free turning handle in the locked position, without retracting latch to prevent breaking of handle

HOW TO ORDER

FYT 0 5 C E - SA

Function

SA - Fail-Safe
SE - Fail-Secure

Keyway

C - SC or KW
D - I/C Core

Finish

0 - Oil Rubbed Bronze
P - Satin Nickel
9 - Matte Black
S - Satin Chrome

Series

FYH - Alameda
FYT - Annapolis
FYS - Mesa
FYM - Pendleton

CODE COMPLIANCE

- Meets ANSI/BHMA A156.2, Series 4000, Grade 1
- Meets ADA Requirements
- UL 3-Hour Fire Rated



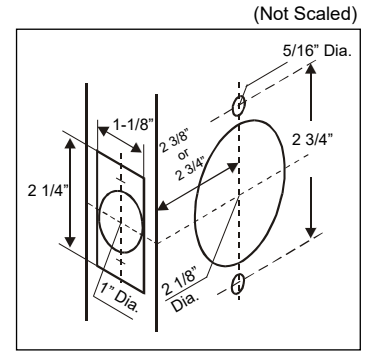
ADA



UL LISTED



BHMA CERTIFIED



Door Preparation

FINISH AVAILABILITY

(Other finishes available upon request with lead-time)

Pamex Code	0	P	9	S
US Code	10B	15	19	26D
BHMA code	613	619	622	626
Alameda - FYH	•	•		•
Annapolis - FYT	•	•	•	•
Mesa - FYS		•	•	•
Pendleton - FYM	•	•		•

Alameda - FYH



Mesa - FYS



Annapolis - FYT



Pendleton - FYM



Grade 1 Heavy Duty Deadbolts

FEATURES & OPTIONS

Door Preparation

Cross Bore: 2-1/8", Edge: 1-1/8"

Latch Backset

Adjustable UL deadlatch standard (other options available)

Faceplate

1-1/8" x 2-1/4" square corner standard (other options available)

Bolt

1" throw

Door Thickness

Fit 1-3/8" to 1-3/4" standard (extension kit available for 1-3/4" to 2-1/4" door)

Cylinder

6-pin SC "C" keyway solid brass cylinder standard.

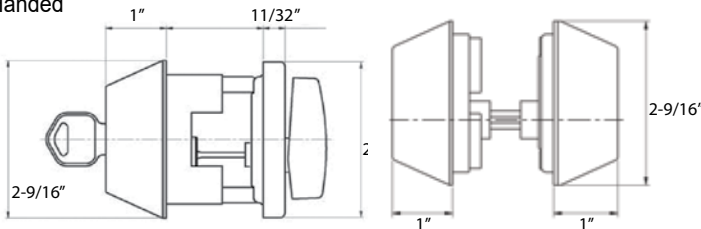
Also available in:
5-pin SC keyway
5-pin KW keyway
6 or 7-pin SFIC

Strike Plate

2-3/4" x 1-1/8" square corner strike standard with reinforced plate and 3" wooden screws (other options available)

Handing

Non-Handed



CODE COMPLIANCE

- Meets ANSI/BHMA A156.2, Series 4000, Grade 1
- Meets ADA Requirements
- UL 3-Hour Fire Rated



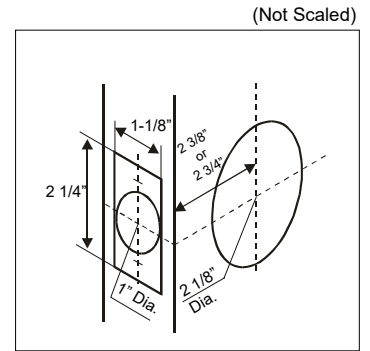
ADA



LISTED



BHMA CERTIFIED



Door Preparation



Single Cylinder Deadbolt



Single Cylinder Deadbolt with I/C Core

FINISH AVAILABILITY

(Other finishes available upon request with lead-time)

Pamex Code	0	P	9	S
US Code	10B	15	19	26D
BHMA code	613	619	622	626
Grade 1 Deadbolt	•	•	•	•

HOW TO ORDER

FDP 0 1

Function/Keyway

- 1 - Single Cylinder / SC or KW
- 2 - Double Cylinder / SC or KW
- 8 - Classroom / SC or KW
- A - Single Cylinder / SFIC
- B - Double Cylinder / SFIC

Finish

- 0 - Oil Rubbed Bronze
- P - Satin Nickel
- 9 - Matte Black
- S - Satin Chrome

Series

FDP - Grade 1 Deadbolt

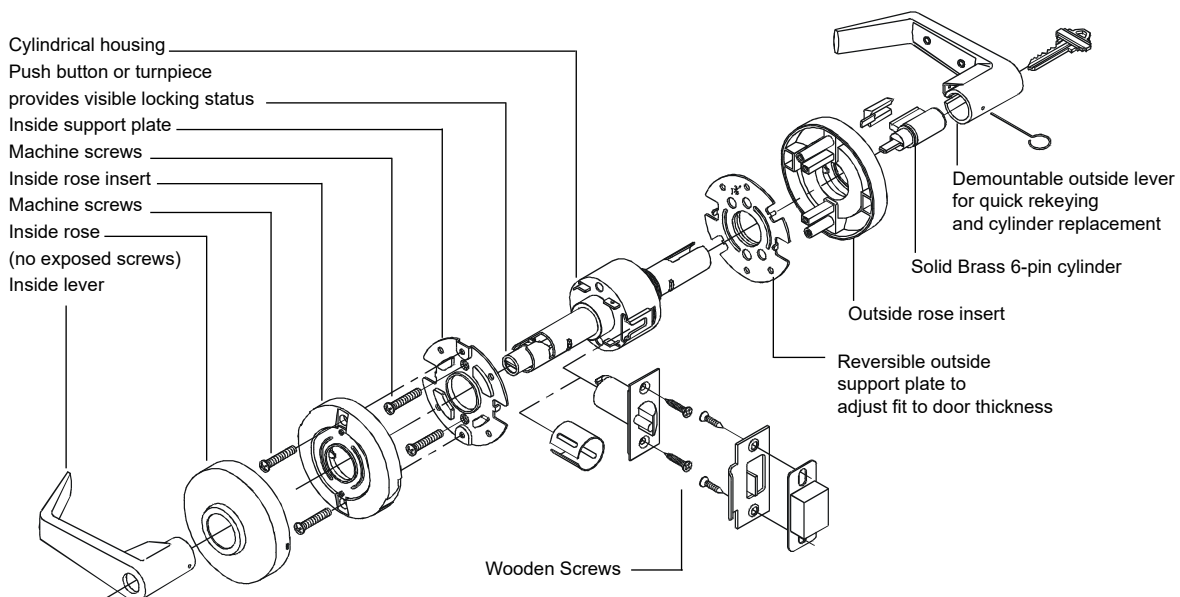
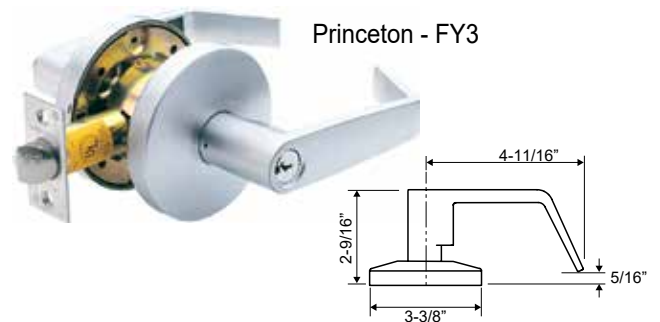
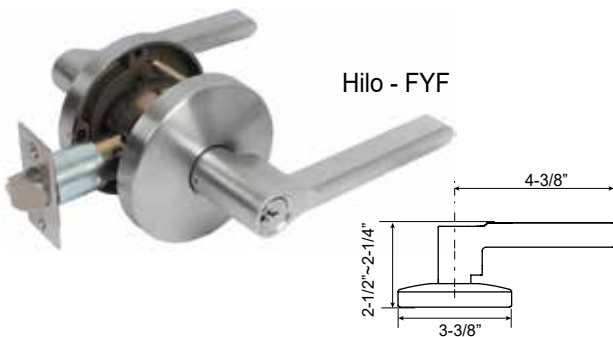
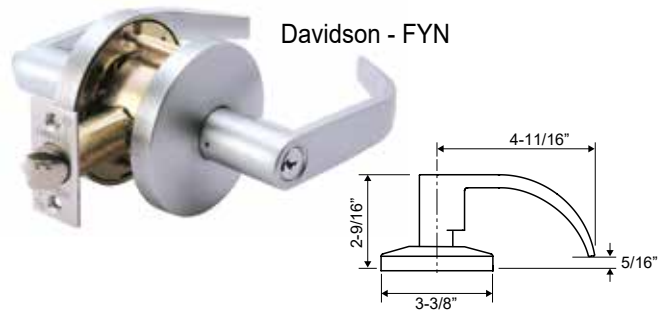
FUNCTIONS

Code	Function	Description
1	Single Cylinder (E0151)	Bolt is operated by key from outside and turn piece inside.
2	Double Cylinder (E0141)	Bolt is operated by key on both sides.
8	Classroom (E0171)	Bolt is operated by key from outside. Inside turn piece will retract bolt only.
A	Single Cylinder (E0151)	Bolt is operated by key from outside and turn piece inside. SFIC
B	Double Cylinder (E0141)	Bolt is operated by key on both sides. SFIC

Grade 2 Heavy Duty Cylindrical Leversets



- ANSI A156.2, Series 4000, Grade 2
- Heavy duty cylindrical leversets
- Push button
- Meets ADA requirements
- 3-hour fire rated
- I/C Core lockset available
- Clutch mechanism available



FEATURES & OPTIONS

Latch Backset

Exterior: 2-3/4" UL deadlatch standard
 Interior: 2-3/4" UL plainlatch standard
 (other options available)

Faceplate

1-1/8" x 2-1/4" square corner standard
 (other options available)

Bolt

1/2" throw

Door Thickness

Fit 1-3/8" to 1-13/16"

Cylinder

6-pin SC "C" keyway solid brass cylinder standard.
 Also available in:
 5-pin SC keyway
 5-pin KW keyway
 6 or 7-pin SFIC

Strike Plate

4-7/8" x 1-1/4" ASA strike standard
 (other options available)

Handing

Reversible for left or right hand doors

Clutch Mechanism

Free turning handle in the locked position,
 without retracting latch to prevent breaking of handle

HOW TO ORDER

FYN 0 0 C

Keyway

C - SC or KW
 D - I/C Core

Function

0 - Entry (F109)
 1 - Privacy (F76)
 3 - Passage (F75)
 4 - Dummy
 4CD - Double Dummy
 5 - Storeroom (F86)
 8 - Classroom (F84)
 D - Entry w/ Clutch
 S - Storeroom w/ Clutch

Finish

7 - Polished Brass
 0 - Oil Rubbed Bronze
 P - Satin Nickel
 9 - Matte Black
 S - Satin Chrome

Series

FYG - Avalon
 FYN - Davidson
 FYF - Hilo
 FY3 - Princeton

CODE COMPLIANCE

- Meets ANSI/BHMA A156.2, Series 4000, Grade 2
- Meets ADA Requirements
- UL 3-Hour Fire Rated



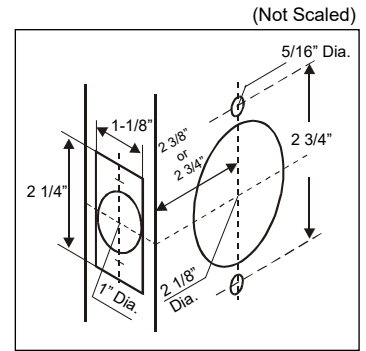
ADA



LISTED



BHMA CERTIFIED



Door Preparation

FUNCTIONS

Code	Function	Description
0	Entry (F109)	Turn/Push button locking: PUSHING button locks outside level until unlock with key or inside lever is turned. PUSHING and TURNING inside button locks outside lever requiring use of key to open until button is manually unlocked. Inside lever always free.
1	Privacy (F76)	Outside levers locked by pushing inside pushbutton and unlocked by a coin or screwdriver outside. Closing door does release pushbutton. Inside always free.
3	Passage (F75)	Both levers always free.
4	Half Dummy	Single dummy trim for pull only.
4CD	Double Dummy	Double dummy trim for pull only.
5	Storeroom (F86)	Outside lever always fixed and unlocked by key only. Inside always free.
8	Classroom (F84)	Outside lever locked or unlocked by key. Inside always free.
D	Entry w/Clutch (F109)	Outside lever is free turning when in locked position. Inside always free.
S	Storeroom w/ Clutch(F86)	Outside lever is free turning when in locked position. Inside always free.

FINISH AVAILABILITY

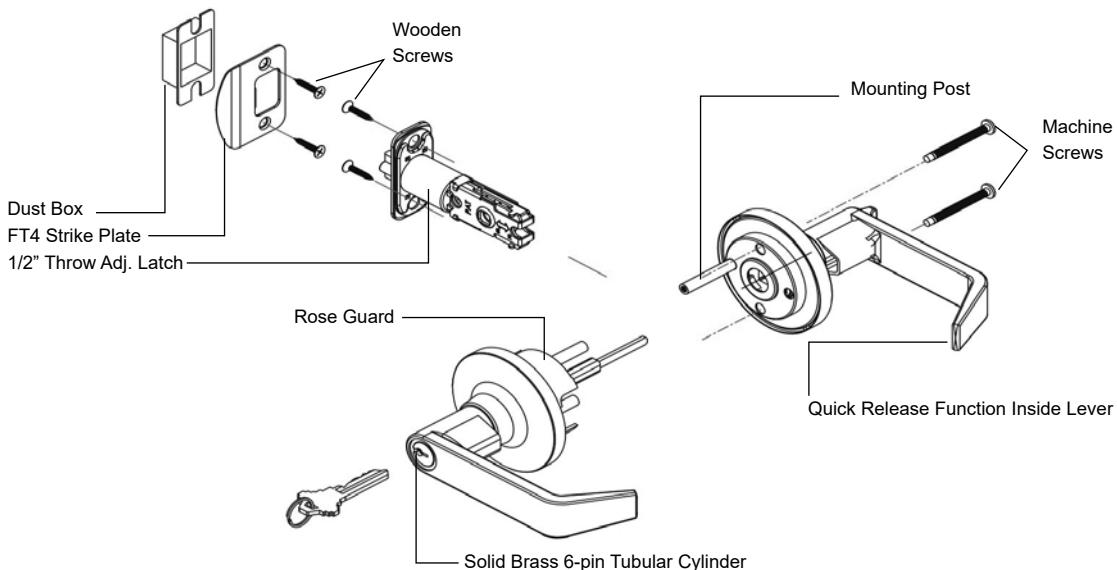
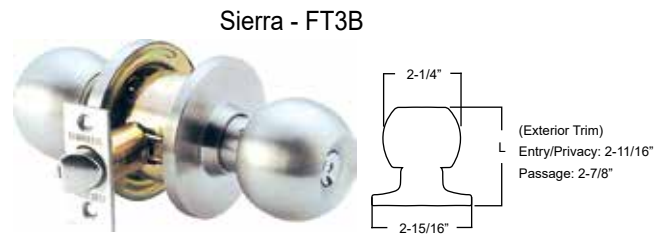
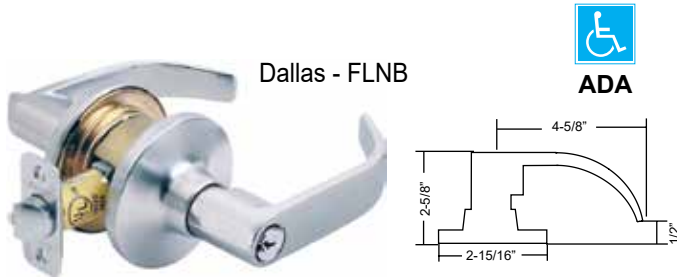
(Other finishes available upon request with lead-time)

Pamex Code	7	0	P	9	S
US Code	3	10B	15	19	26D
BHMA code	605	613	619	622	626
Avalon - FYG			•	•	•
Davidson - FYN		•	•		•
Hilo - FYF			•	•	•
Princeton - FY3	•	•	•	•	•

Grade 2 Commercial Tubular Locksets



- ANSI A156.2, Series 4000, Grade 2
- Heavy-duty tubular locksets
- Meets ADA requirements (leversets only)
- 3-hour fire rated
- Turn-piece or push-button locking
- I/C Core lockset available



FEATURES & OPTIONS

Latch Backset

Exterior: Adjustable UL deadlatch standard
 Interior: Adjustable UL plainlatch standard
 (other options available)

Faceplate

1" x 2-1/4" round corner standard
 (other options available)

Bolt

1/2" throw

Door Thickness

Fit 1-3/8" to 1-13/16"

Cylinder

6-pin SC "C" keyway solid brass cylinder standard.
 Also available in:
 5-pin SC keyway
 5-pin KW keyway
 6 or 7-pin SFIC

Strike Plate

1-3/4" x 1-1/4" full lip round corner standard
 (other options available)

Handing

Reversible for left or right hand doors

HOW TO ORDER

FL3 6 0 B H

Specialty Function
 BH - Exit
 BD - Double Dummy

Keyway / Locking
 B - Turn Piece
 D - I/C Core
 C - Push Button

Function
 0 - Entry (F109)
 1 - Privacy (F76)
 3 - Passage (F75)
 4 - Dummy
 5 - Storeroom (F86)
 8 - Classroom (F84)

Finish
 7 - Polished Brass
 8 - Antique Brass
 0 - Oil Rubbed Bronze
 P - Satin Nickel
 9 - Matte Black
 S - Satin Chrome
 6 - Satin Stainless Steel

Series
 FL3B - Cambridge
 FLNB - Dallas
 FLFB - Koda
 FT3B - Sierra

CODE COMPLIANCE

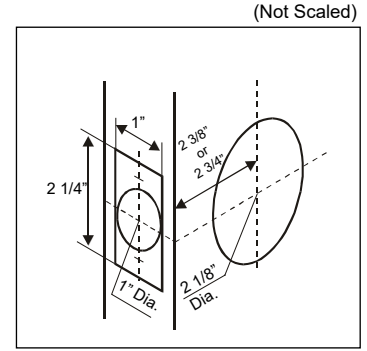
- Meets ANSI/BHMA A156.2, Series 4000, Grade 2
- Meets ADA Requirements
- UL 3-Hour Fire Rated



ADA



LISTED



Door Preparation

FUNCTIONS

Code	Function	Description
0	Entry (F109)	Outside lever/knob locked or unlocked by key outside or turn piece inside. Inside always free.
1	Privacy (F76)	Outside lever/knob locked or unlocked by turn piece inside or by a coin or screwdriver outside. Inside always free.
3	Passage (F75)	Both levers always free.
3BH	Exit	Blank plate outside. Inside lever always free.
4	Half Dummy	Single dummy trim for pull only.
4BD	Double Dummy	Double dummy trim for pull only.
5	Storeroom (F86)	Outside lever/knob always fixed and unlocked by key only. Inside always free.
8	Classroom (F84)	Outside lever/knob locked or unlocked by key outside. Inside always free.
0C	Entry (F109)	Outside lever/knob locked or unlocked by key outside or push button inside. Inside always free.
1C	Privacy (F76)	Outside lever/knob locked or unlocked by push button inside or by a coin and screwdriver outside. Inside always free.

FINISH AVAILABILITY

(Other finishes available upon request with lead-time)

Pamex Code	7	8	0	P	9	S	6
US Code	3	5	10B	15	19	26D	32D
BHMA code	605	609	613	619	622	626	630
Cambridge - FL3B	•	•	•	•	•	•	
Dallas - FLNB			•	•		•	
Koda - FLFB				•	•	•	
Sierra - FT3B	•	•					•

Grade 2 Heavy Duty Deadbolts

FEATURES & OPTIONS

Door Preparation

Cross Bore: 2-1/8", Edge: 1"

Latch Backset

Adjustable UL deadlatch standard (other options available)

Faceplate

1" x 2-1/4" square corner standard (other options available)

Bolt

1" throw

Door Thickness

Fit 1-3/8" to 1-3/4" standard (extension kit available for 1-3/4" to 2-1/4" door)

Cylinder

6-pin SC "C" keyway solid brass cylinder standard. Also available in:
5-pin SC keyway
5-pin KW keyway
6 or 7-pin SFIC

Strike Plate

2-3/4" x 1-1/8" square corner strike standard with reinforced plate and 3" wooden screws (other options available)

Handing

Non-Handed

HOW TO ORDER

FD7 0 1

Function/Keyway

- 1 - Single Cylinder / SC or KW
- 2 - Double Cylinder / SC or KW
- 7 - Indicator
- 8 - Classroom / SC or KW
- 8A - Classroom / SFIC
- A - Single Cylinder / SFIC
- B - Double Cylinder / SFIC

Finish

- 7 - Polished Brass
- 8 - Antique Brass
- 0 - Oil Rubbed Bronze
- P - Satin Nickel
- 9 - Matte Black
- S - Satin Chrome
- 6 - Satin Stainless Steel

Series

FD7 - Grade 2 Deadbolt

CODE COMPLIANCE

- Meets ANSI/BHMA A156.2, Series 4000, Grade 2
- Meets ADA Requirements
- UL 3-Hour Fire Rated



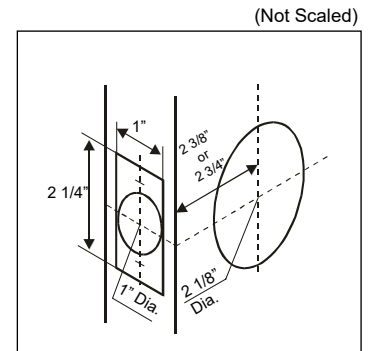
ADA



LISTED



BHMA CERTIFIED



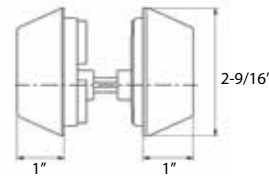
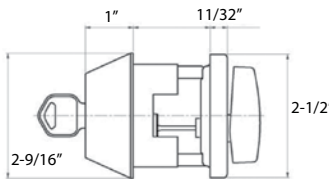
Door Preparation



Single Cylinder Deadbolt



Single Cylinder Deadbolt with I/C Core



Indicator

FUNCTIONS

Code	Function	Description
1	Single Cylinder (E0152)	Bolt is operated by key from outside and turn piece inside.
2	Double Cylinder (E0142)	Bolt is operated by key on both sides.
7	Indicator	Bolt is operated by turn piece inside or by coin or screw driver outside.
8	Classroom (E0172)	Bolt is operated by key from outside. Inside turn piece will retract bolt only.
8A	Classroom (E0172)	Bolt is operated by key from outside. Inside turn piece will retract bolt only. SFIC
A	Single Cylinder (E0152)	Bolt is operated by key from outside and turn piece inside. SFIC
B	Double Cylinder (E0142)	Bolt is operated by key on both sides. SFIC

FINISH AVAILABILITY

(Other finishes available upon request with lead-time)

Pamex Code	7	8	0	P	9	S	6
US Code	3	5	10B	15	19	26D	32D
BHMA code	605	609	613	619	622	626	630
Grade 2 Deadbolt	•	•	•	•	•	•	•

Removable Cylinder Deadbolts

- ANSI A156.2, Series 4000, Grade 2
- Meets ADA requirements
- UL listed latch available

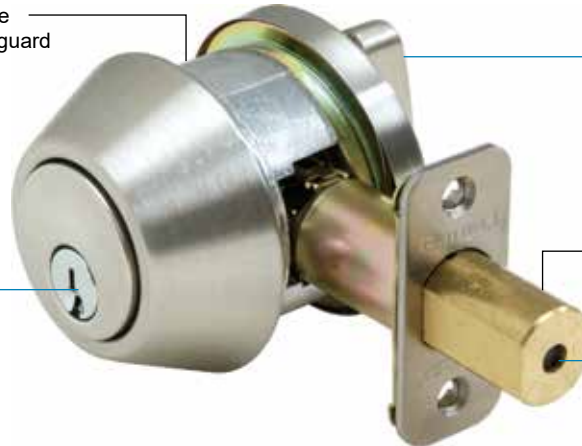


ADA



LISTED

2-1/2" dia. all metal one piece heavy duty tapered cylinder guard and metal insert



ADA ergonomic turn piece

Removable cylinder

Full 1" throw deadbolt for solid security

Concealed 1/4" hardened steel roller

How to exchange cylinders:

Mounted deadbolt



Insert control key



Turn key clockwise



Pull out cylinder



Exchange cylinders



Insert cylinder



Turn key counter-clockwise



Done



FEATURES & OPTIONS

Door Preparation

Cross Bore: 2-1/8", Edge: 1"

Latch Backset

Adjustable round corner deadbolt standard
(3-hour UL listed latch available)

Faceplate

1" x 2-1/4" round corner standard
(other options available)

Bolt

1" throw

Door Thickness

Fit 1-3/8" to 1-3/4" standard
(extension kit available for 1-3/4" to 2-1/4" door)

Cylinder

KW 5-pin solid brass removable cylinder with zinc die-cast housing standard
SC 5 or 6-pin solid brass removable cylinder available

Strike Plate

2-3/4" x 1-1/8" square corner strike standard
with reinforced plate and 3" wooden screws
(other options available)

Handing

Non-Handed

HOW TO ORDER

FD8 0 1

Function/Keyway

1 - Single Cylinder / SC or KW

Finish

0 - Oil Rubbed Bronze
6 - Satin Stainless Steel
P - Satin Nickel
S - Satin Chrome
9 - Matte Black

Series

FD8 - Removable Cylinder

FINISH AVAILABILITY

(Other finishes available upon request with lead-time)

Pamex Code	0	P	9	S	6
US Code	10B	15	19	26D	32D
BHMA code	613	619	622	626	630
FD8 Series	•	•	•	•	•

CODE COMPLIANCE

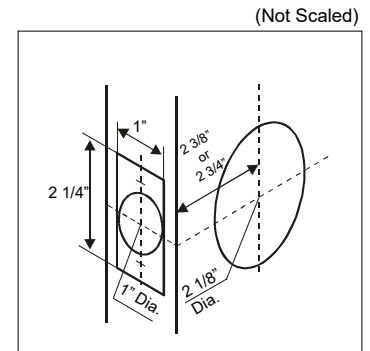
- Meets ANSI/BHMA A156.2, Series 4000, Grade 2
- Meets ADA Requirements
- UL 3-Hour Fire Rated (when packed with UL latch)



ADA



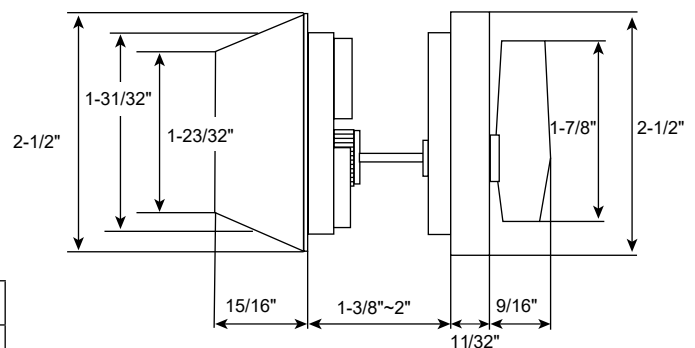
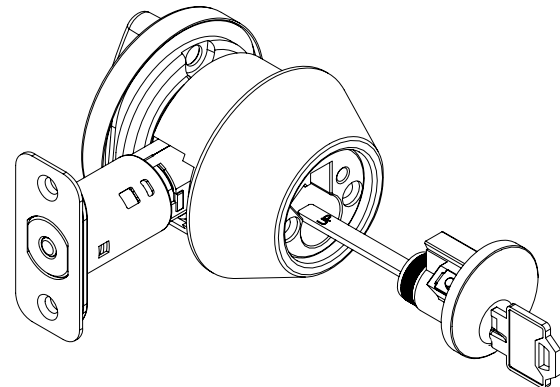
LISTED



Door Preparation

FUNCTIONS

Code	Function	Description
1	Single Cylinder	Bolt is operated by key from outside and (E0152) turn piece inside.



Grade 2 Tubular Interconnected Locks



- ANSI A156.12, Series 4000, Grade 2
- Tubular structure
- Meets ADA requirements
- 3-hour fire rated
- Available in:
 - Single or Double locking
 - 4" or 5-1/2" center-to-center
 - Small format I/C Core
 - Removable cylinder

4" center-to-center



Concord - FI3



Daytona - FIN



Hampton - FIYE



Nova - FIF

5-1/2" center-to-center



Fremont - FIN



Napa - FIF



Newport - FIYE



Westfield - FI3

FEATURES & OPTIONS

Door Preparation

Cross Bore: 2-1/8", Edge: 1-1/8"
Center-To-Center: 4" or 5-1/2"

Latch Backset

Entry: Adjustable UL deadlatch standard
Passage: Adjustable UL plainlatch standard
Deadbolt: Adjustable UL deadbolt standard
(other options available)

Faceplate

1-1/8" x 2-1/4" square corner standard
(other options available)

Bolt

Lever: 1/2" throw
Deadbolt: 1" throw

Door Thickness

Fit 1-3/8" to 1-3/4" standard

Cylinder

6-pin SC "C" keyway solid brass cylinder standard.
Also available in:
5-pin SC keyway
5-pin KW keyway
6 or 7-pin SFIC
FD8 removable cylinder

Strike Plate

Lever: 2-3/4" x 1-1/8" square corner T-strike
Deadbolt: 2-3/4" x 1-1/8" square corner strike
(other options available)

Handing

Specify for left or right hand doors

HOW TO ORDER

FIYE P 3 4 L - D8

Cylinder

A - Small Format I/C
D8 - Removable Cylinder

Handing

L - Left Handed
R - Right Handed

Center-To-Center

4 - 4" C-T-C
5 - 5-1/2" C-T-C

Function

0 - Double Locking (F97-4)
3 - Single Locking (F95-4)

Finish

7 - Polished Brass
0 - Oil Rubbed Bronze

Series

FI3 - Concord (4")
FIN - Daytona (4")
FIYE - Hampton (4")
FIF4 - Nova (4")

CODE COMPLIANCE

- Meets ANSI/BHMA A156.12, Series 4000, Grade 2
- Meets ADA Requirements
- UL 3-Hour Fire Rated



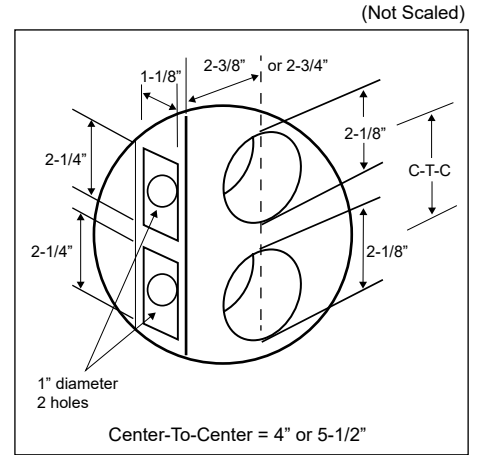
ADA



UL LISTED



BHMA CERTIFIED



Door Preparation

FUNCTIONS

Code	Function	Description
0	Double Locking (F97-4) w/ Entry Lever	Deadbolt is operated by key outside and turn piece inside. Lever locked or unlocked by key outside and turn piece inside. Inside lever retracts deadbolt and deadlatch simultaneously for panic exit.
3	Single Locking (F95-4) w / Passage Lever	Deadbolt is operated by key outside and turn piece inside. Latchbolt retracted by lever from either side. Inside lever retracts deadbolt and deadlatch simultaneously for panic exit.

FINISH AVAILABILITY

(Other finishes available upon request with lead-time)

Pamex Code	7	0	P	9	S
US Code	3	10B	15	19	26D
BHMA code	605	613	619	622	626
Concord - FI34	•	•	•	•	•
Daytona - FIN4		•	•		•
Hampton - FIYE4		•	•		
Nova - FIF4			•	•	•
Fremont - FIN5		•	•		•
Napa - FIF5		•	•	•	•
Newport - FIYE5		•	•		
Westfield - FI35		•	•	•	•

P - Satin Nickel
9 - Matte Black

S - Satin Chrome

FIN - Fremont (5-1/2")
FIF5 - Napa (5-1/2")
FIYE - Newport (5-1/2")
FI3 - Westfield (5-1/2")

Contemporary Grade 2 Tubular Interconnected Locks

- ANSI A156.12, Series 4000, Grade 2
- Tubular structure
- Meets ADA requirements
- 3-hour fire rated
- Available in
 - Single locking only
 - 4" or 5-1/2" center-to-center



ADA



LISTED



BHMA
CERTIFIED

4" center-to-center



Kenton- FIK



Sterling - FIS



Toledo- FIT

5-1/2" center-to-center



Mirage - FIT



Ontario - FIS



Tacoma - FIK



Optional Vigo (FLR) lever with return to meet CA fire code

FEATURES & OPTIONS

Door Preparation

Cross Bore: 2-1/8", Edge: 1-1/8"
Center-To-Center: 4" or 5-1/2"

Latch Backset

Passage: Adjustable UL plainlatch standard
Deadbolt: Adjustable UL deadbolt standard
(other options available)

Faceplate

1-1/8" x 2-1/4" square corner standard
(other options available)

Bolt

Lever: 1/2" throw
Deadbolt: 1" throw

Door Thickness

Fit 1-3/4" standard

Cylinder

6-pin SC "C" keyway solid brass cylinder standard.
Also available in:
5-pin SC "C" keyway
5-pin KW keyway

Strike Plate

Lever: 2-3/4" x 1-1/8" square corner T-strike
Deadbolt: 2-3/4" x 1-1/8" square corner strike
(other options available)

Handing

Reversible

HOW TO ORDER

FIT P 3 4

Center-To-Center

4 - 4" C-T-C
5 - 5-1/2" C-T-C

Function

3 - Single Locking (F95-4)

Finish

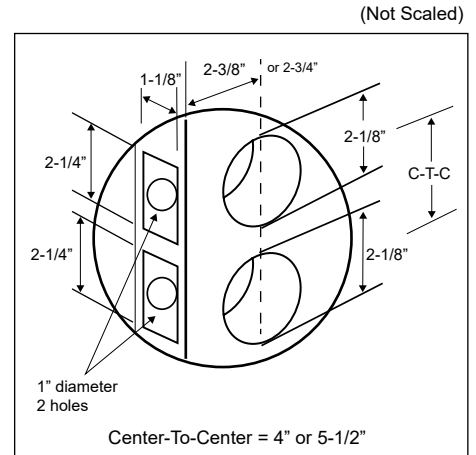
2 - Polished Chrome
P - Satin Nickel
9 - Matte Black

Series

FIK - Kenton (4")
FIS - Sterling (4")
FIT - Toledo (4")
FIT - Mirage (5-1/2")
FIS - Ontario (5-1/2")
FIK - Tacoma (5-1/2")

CODE COMPLIANCE

- Meets ANSI/BHMA A156.12, Series 4000, Grade 2
- Meets ADA Requirements
- UL 3-Hour Fire Rated



Door Preparation



ADA LISTED



FUNCTIONS

Code	Function	Description
3	Single Locking (F95-4) w / Passage Lever	Deadbolt is operated by key outside and turn piece inside. Latchbolt retracted by lever from either side. Inside lever retracts deadbolt and deadlatch simultaneously for panic exit.

FINISH AVAILABILITY

(Other finishes available upon request with lead-time)

Pamex Code	2	P	9
US Code	26	15	19
BHMA code	625	619	622
Kenton - FIK4	•	•	•
Sterling - FIS4	•	•	•
Toledo - FIT4	•	•	•
Mirage - FIT5	•	•	•
Ontario - FIS5	•	•	•
Tacoma - FIK5	•	•	•

Small Format Interchangeable Core (SFIC)



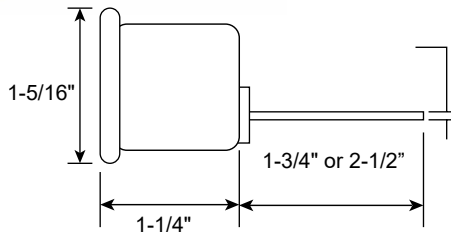
FEATURES

- Small Format Interchangeable Core
- Fits Best, Falcon and Arrow I/C Core
- Best "A" keyway
- Available in 6-pin and 7-pin
- 6-pin Temporary Construction Core Available

FINISH AVAILABILITY

- US26D - 626 - Satin Chrome
- US4 - 633 - Brass (For US10B products)

ERC Rim Cylinder



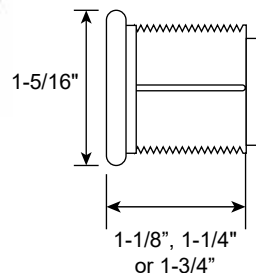
FEATURES

- Available in Conventional Schlage 'C' & Kwikset Keyway or SFIC
- Length: Cylinder: 1-1/4" Tail Piece: 1-3/4" or 2-1/2"
- Material: Solid Brass

FINISH AVAILABILITY

- US10B - 613 - Oil Rubbed Bronze
- US19 - 622 - Matte Black
- US26D - 626 - Satin Chrome

EMC Mortise Cylinder



FEATURES

- Available in Conventional Schlage 'C' & Kwikset Keyway or SFIC
- Yale Standard CAM attached
- Cylinder Length: Conventional: 1-1/8" or 1-1/4" SFIC: 1-3/4"
- Material: Solid Brass

FINISH AVAILABILITY

- US10B - 613 - Oil Rubbed Bronze
- US19 - 622 - Matte Black
- US26D - 626 - Satin Chrome



KAPTURE

SMART HOME SECURITY DOOR LOCK



Secure and Convenient

A smart lock designed with the homeowner in mind.

- Locks with a single tap
- Easy to install
- Assign unique access codes
- Control access times and code expiration
- Track access history
- Excellent for rentals
- Hidden mechanical key access



KP1-D791
Kapture Smart Deadbolt



KP1-D7P1
Kapture Smart Deadbolt



KP1-LINK
Kapture Link Wi-Fi Bridge

FEATURES & OPTIONS

Door Prep.

Cross Bore: 2-1/8", Edge Bore: 1"

Latch Backset

Adjustable UL deadbolt standard

Faceplate

1"x 2-1/4" round corner standard

Bolt

1" throw

Door Thickness

Fits 1-3/8" to 1-3/4" standard

Cylinder

5-pin KW keyway solid brass cylinder standard
5 or 6-pin SC "C" keyway available

Strike Plate

2-3/4" x 1-1/8" square corner standard
with reinforced plate and 3" wooden screws

Batteries (included)

4 AA

Kapture Link

Pair with Kapture Wi-Fi Bridge to enable control and receive real-time notifications from anywhere with an internet connection

FEATURES

- Three methods of access: smartphone, keypad, and mechanical key
- Compatible with smart home systems, Amazon, Alexa and Google Home
- Easy installation using standard door prep with no additional drilling required
- Configurable volume control

HOW TO ORDER

KP1-D7 9 1

Function

1 - Single Cylinder

Finish

P - Satin Nickel
9 - Matte Black

Series

KP1-D7 - Kapture Smart Deadbolt

CODE COMPLIANCE

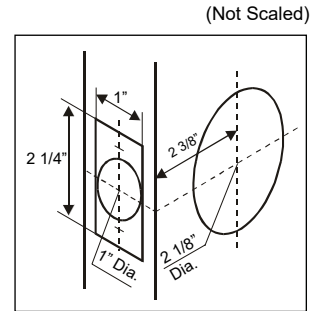
- Meets ANSI/BHMA A156.5 Series 400 Grade 2
- Meets ADA Requirements



ADA



LISTED

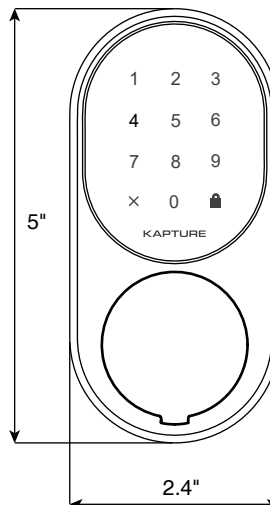


Door Preparation

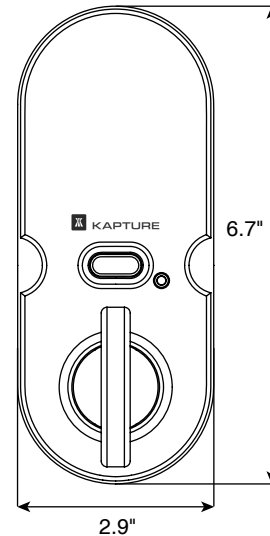
FINISH AVAILABILITY

Pamex Code	P	9
US Code	15	19
BHMA code	619	622
Kapture - KP	•	•

Outside Door




Inside Door




FKL Series



- Fits standard 2-1/8" door prep
- Easy installation, no wiring needed
- Reversible structure
- Easy programming
- Up to 100 user codes
- Customizable auto-relock time
- Illuminated keypad
- Powered by 4x AA batteries ( not included)
- Back-up key cylinder override

FKD Series



- Fits standard 2-1/8" door prep
- Easy installation, no wiring needed
- Automatic bolt direction determination
- Easy programming
- Up to 10 user codes
- Optional auto-locking function
- Illuminated keypad
- Powered by 4x AA batteries ( not included)
- Back-up key cylinder override

FEATURES & OPTIONS

Door Prep.

Cross Bore: 2-1/8", Edge Bore: 1"

Latch Backset

FKL: Adjustable deadlatch standard

FKD: Adjustable UL deadbolt standard

Faceplate

1"x 2-1/4" round corner standard

Bolt

FKL: 1/2" throw

FKD: 1" throw

Door Thickness

Fits 1-3/8" to 1-3/4" standard

Cylinder

5-pin KW keyway solid brass cylinder standard

5 or 6-pin SC "C" keyway available

Strike Plate

FKL: 2-1/4" x 1-3/4" full lip round corner standard

FKD: 2-1/4" x 1-1/8" square corner standard

with reinforced plate and 3" wooden screws

Handing

FKL: Reversible for right or left handed doors

FKD: Non-handed

Batteries (not included)

4 AA

HOW TO ORDER

FKD P 1

Function

1 - Single Cylinder (for FKD Series)

5 - Storeroom (for FKL Series)

Finish

P - Satin Nickel

D - Dark Bronze

Series

FKD - Keypaded Deadbolt

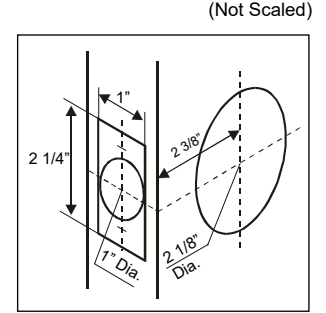
FKLYE - Keypad Lever w/Naples

CODE COMPLIANCE

FOR FKD Series only

- Meets ANSI/BHMA A156.5, Grade 2
- Meets ADA Requirements
- UL 1-1/2 Hour Fire Rated

(FKL Series is not UL listed)



Door Preparation



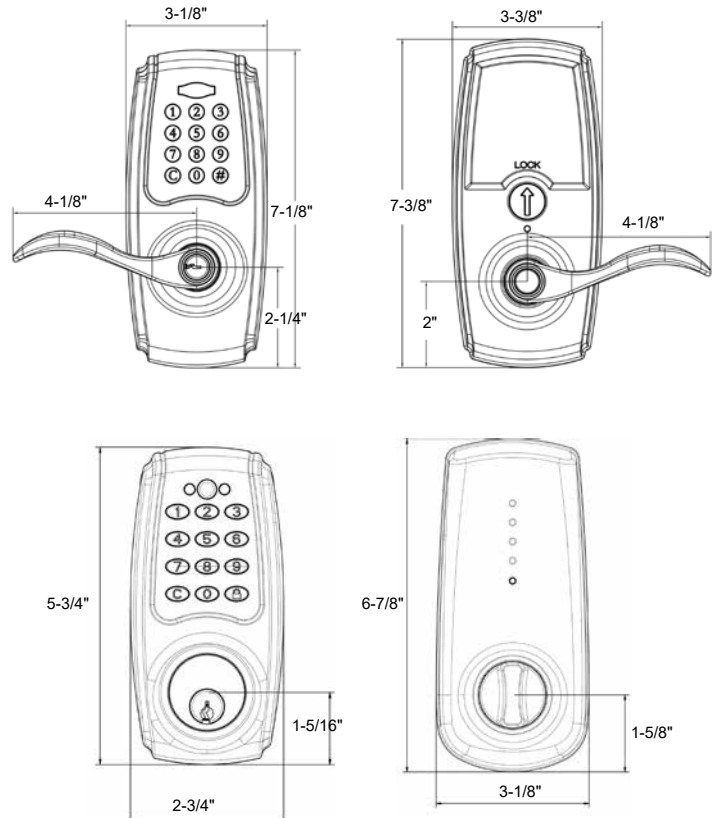
ADA



LISTED

FINISH AVAILABILITY

Pamex Code	D	P
US Code	12P	15
BHMA code	716	619
FKL Series	•	•
FKD Series	•	•




FKDS Series



ADA

Features:


- Easy Installation, no hard wiring needed
- Fits standard door prep
- Easy programming. 4-6 digit user code.
- Optional auto-locking function
- Back-up key cylinder override
- Powered by 4x AA batteries ( not included)
- Non-handed design
- Meets ANSI Grade 3
- Allows up to 10 user codes
- Lifetime mechanical warranty
- 1 year electronics warranty
- 5 year finish warranty

FKLS Series



ADA

Features:

- Easy Installation, no hard wiring needed
- Fits standard door prep
- Easy programming. 4-6 digit user code.
- Automatically relocks after 5 seconds
- Back-up key cylinder override
- Powered by 4x AAA batteries ( not included)
- Allows up to 20 user codes
- Reversible lever fits both LH and RH door
- ADA Compliant (Alto LF Lever Standard)
- Lifetime mechanical warranty
- 1 year electronics warranty
- 5 year finish warranty

FEATURES & OPTIONS

Door Prep.

Cross Bore: 2-1/8", Edge Bore: 1"

Latch Backset

FKLS: Adjustable deadlatch standard

FKDS: Adjustable deadbolt standard

Faceplate

1"x 2-1/4" round corner standard

Bolt

FKLS: 1/2" throw

FKDS: 1" throw

Door Thickness

Fits 1-3/8" to 1-3/4" standard

Cylinder

5-pin KW keyway solid brass cylinder standard

5-pin SC "C" keyway available

Strike Plate

FKLS: 2-1/4" x 1-3/4" full lip round corner standard

FKDS: 2-1/4" x 1-1/8" square corner standard

with reinforced plate and 3" wooden screws

Handing

FKLS: Reversible for right or left handed doors

FKDS: Non-handed

Batteries (not included)

FKDS-- 4 AA

FKLS-- 4 AAA

HOW TO ORDER

FKD P 3S

Function

3S - Single Cylinder (for FKDS Series)

3S - Storeroom (for FKLS Series)

Finish

P - Satin Nickel

9 - Matte Black

Series

FKD - Keypaded Deadbolt

FKLF - Keypad Lever w/Alto

CODE COMPLIANCE

- Meets ANSI/BHMA A156.5, Grade 3
- Meets ADA Requirements

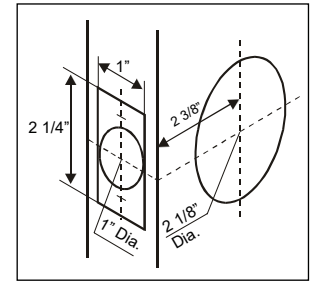


ADA

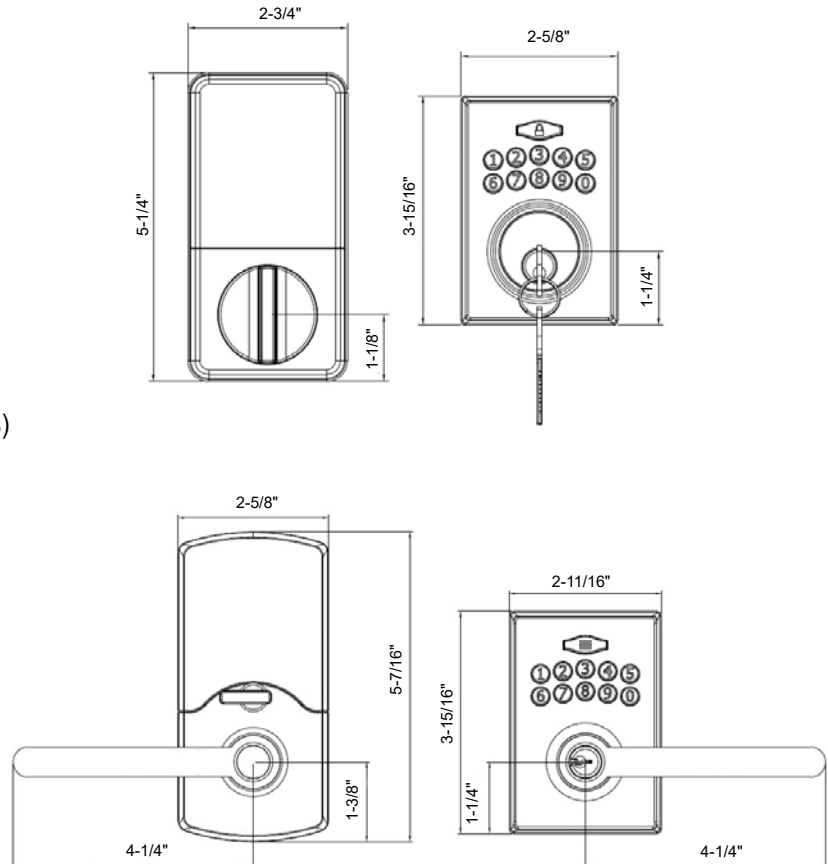
FINISH AVAILABILITY

Pamex Code	P	9
US Code	15	19
BHMA code	619	622
FKDS Series	•	•
FKLS Series	•	•

(Not Scaled)

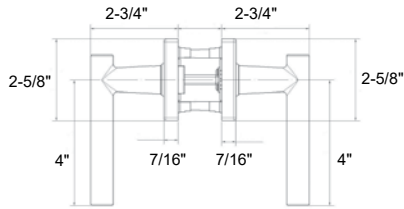


Door Preparation

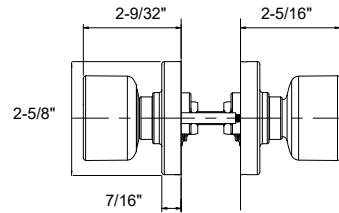




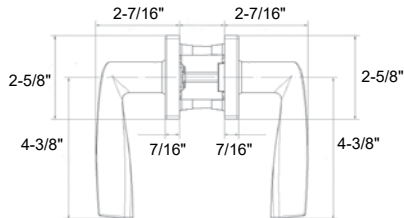
Mira - FLT



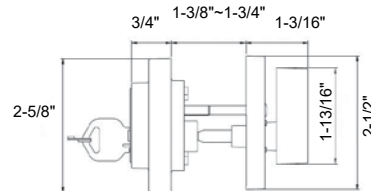
Kona - FTK



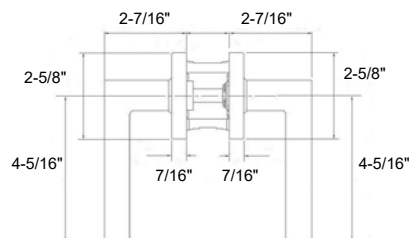
Tahoe - FLK



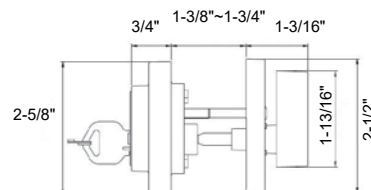
FDK Series



Onyx - FLS



FDS Series



FEATURES & OPTIONS

Door Prep.

Cross Bore: 2-1/8", Edge Bore: 1"

Latch Backset

Leverset: adjustable plainlatch standard
Deadbolt: adjustable deadbolt standard
(other options available)

Faceplate

1" x 2-1/4" round corner standard
(other options available)

Bolt

Leverset: 1/2" throw
Deadbolt: 1" throw

Door Thickness

Fits 1-3/8" to 1-3/4" standard
(extension kit available for 1-3/4" to 2-1/4" door)

Cylinder

5-pin KW keyway solid brass cylinder standard
5-pin SC "C" keyway available

Strike Plate

2-1/4" x 1-3/4" full lip round corner standard
(other options available)

Rosette

Mira, Tahoe and Kona series come with round rosette as standard. Square rosette available
Onyx series come with square rosette as standard
Round rosette available.

Handing

Non-handed Reversible
(specify handing for Tahoe dummy)

ANSI/BHMA

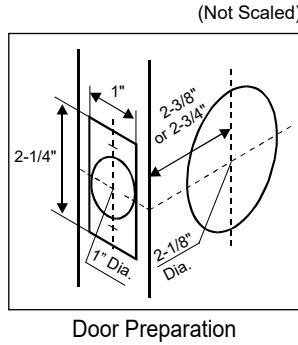
A 156.2 Grade 3

CODE COMPLIANCE

- Meets ADA Requirements (except Kona Series)



ADA



FINISH AVAILABILITY

Pamex Code	P	9	2
US Code	15	19	26
BHMA code	619	622	625
Mira - FLT	•	•	•
Tahoe - FLK	•	•	•
Onyx - FLS	•	•	•
Kona- FTK	•	•	•
FDK Series	•	•	•
FDS Series	•	•	•

FUNCTIONS

Code	Function	Description
Leversets		
08C	Privacy (F76) ADA	Outside lever unlocked by pin. Inside lever locked by push-button and always free with quick release function. No unlocking required for panic exit.
03C	Passage (F75)	Both levers always free.
04	Half Dummy	For doors where only pull is required.
Deadbolts		
1	Single Cylinder (E0153)	Bolt is operated by key from outside and turn-piece inside.
2	Double Cylinder (E0143)	Bolt is operated by key on both sides.
4	One-Sided (E0193)	Bolt is operated by turn-piece from inside only.
6	One-Sided w/ Cover (E0113)	Bolt is operated by turn-piece from inside only. Outside with cover plate only.
Knobsets		
00	Entry (F109)	Both knobs locked or unlocked by key outside or turn-piece inside.
10	Privacy	Both knobs locked or unlocked by turn-piece inside. Outside lever locked or unlocked by a coin or screwdriver.
30	Passage (F75)	Both knobs always free.
40	Half Dummy	For doors where only pull is required.

HOW TO ORDER

Leversets

FLT 2 08C

- Function**
08C - ADA Privacy (push button)
03C - Passage
04 - Half Dummy
- Finish**
P - Satin Nickel
9 - Matte Black
2 - Polished Chrome
- Series**
FLT - Mira
FLS - Onyx
FLK - Tahoe

Knobsets

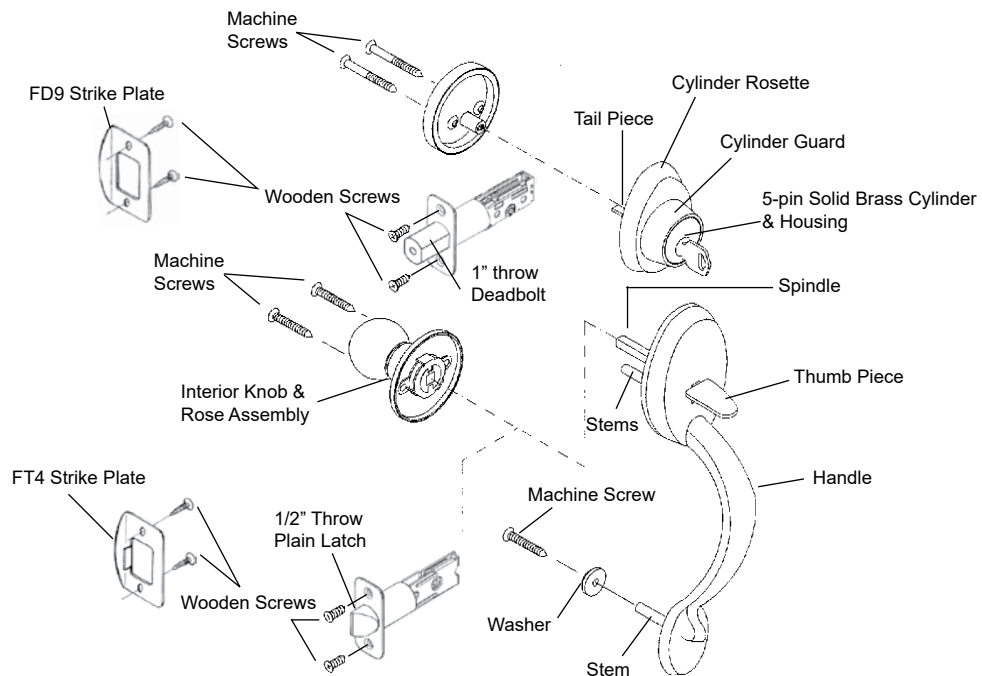
FTK 2 00

- Function**
00 - Entry
10 - Privacy
30 - Passage
40 - Half Dummy
- Finish**
P - Satin Nickel
9 - Matte Black
2 - Polished Chrome
- Series**
FTK - Kona

Deadbolts

FDK 2 1

- Function**
1 - Single Cylinder / SC or KW
2 - Double Cylinder
4 - One Sided
6 - One Sided w/ Cover
- Finish**
P - Satin Nickel
9 - Matte Black
2 - Polished Chrome
- Series**
FDK Series
FDS Series



FEATURES & OPTIONS

Door Prep.

Cross Bore: 2-1/8", Edge: 1"
Center to Center: 5-1/2"

Interior Trim

FTF-Baron knob trim for Tuscany, Alhambra & Granada

FT3-Saturn knob trim for Catalina
(other options available)

Latch Backset

Deadbolt: adjustable deadbolt standard
Handle: adjustable plainlatch standard
(other options available)

Faceplate

1"x 2-1/4" round corner standard
(other options available)

Bolt

Deadbolt: 1" throw
Handle: 1/2" throw

Door Thickness

Fits 1-3/8" to 1-3/4" standard
(extension kit available for 1-3/4" to 2-1/4" door)

Cylinder

5-pin KW keyway solid brass cylinder standard
5-pin SC "C" keyway available

Strike Plate

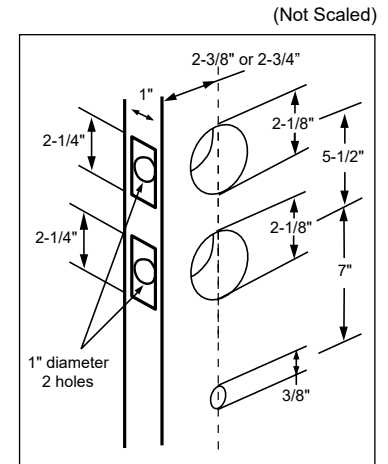
Deadbolt: 2-3/4" x 1-1/8" square corner standard
Handle: 2-1/4" x 1-3/4" full lip round corner standard
(other options available)

Handing

Specify handing when ordering lever interior trim

ANSI/BHMA

A 156.2 Grade 2



Door Preparation

FUNCTIONS

Code	Function	Description
1	Single Cylinder	Latchbolt operated by thumb-piece outside and grip inside. Deadbolt operated by key outside and turnpiece inside.
2	Double Cylinder	Latchbolt operated by thumb-piece outside and grip inside. Deadbolt operated by key on both sides.
4	Dummy	Handle and grip act as pull only. No operation.

FINISH AVAILABILITY

Pamex Code	0	P
US Code	10B	15
BHMA code	613	619
Alhambra - FSL		•
Catalina - FSG	•	•
Granada - FSK		•
Tuscany - FST	•	•

HOW TO ORDER

FST 0 F 1

Function

- 1 - Single Cylinder
- 2 - Double Cylinder
- 4 - Dummy

Interior Trim

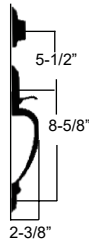
- 3 - Saturn (FT3)
- F - Baron (FTF)
- YEI - Int'd Trim w/ Naples
(other options available)

Finish

- 0 - Oil Rubbed Bronze
- P - Satin Nickel

Series

- FSL - Alhambra
- FSG - Catalina
- FSK - Granada
- FST - Tuscany



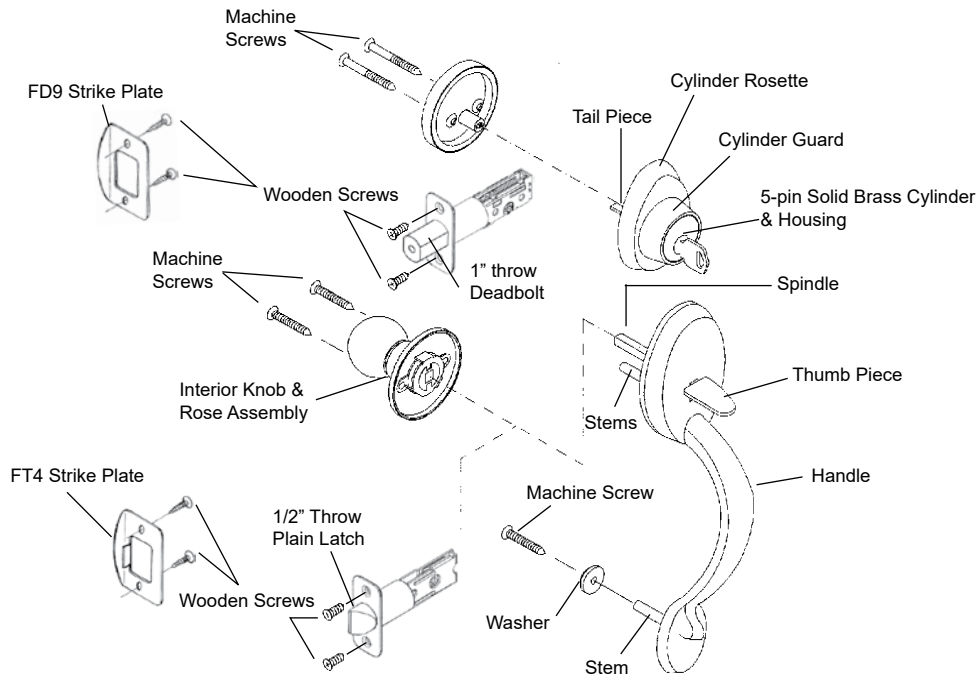
Lexington - FS7



Springfield - FSC



Troy - FHS



FEATURES & OPTIONS

Door Prep.

Cross Bore: 2-1/8", Edge Bore: 1"
Center to Center: 5-1/2"

Interior Trim

FT3-Saturn knob trim
Troy in **11P** and **19** finishes are packed with FTF-Baron knob trim (other options available)

Latch Backset

Deadbolt: Adjustable deadbolt standard
Handle: Adjustable plainlatch standard (other options available)

Faceplate

1"x 2-1/4" round corner standard (other options available)

Bolt

Deadbolt: 1" throw
Handle: 1/2" throw

Door Thickness

Fits 1-3/8" to 1-3/4" standard (extension kit available for 1-3/4" to 2-1/4" door)

Cylinder

5-pin KW keyway solid brass cylinder standard
5-pin SC "C" keyway available

Strike Plate

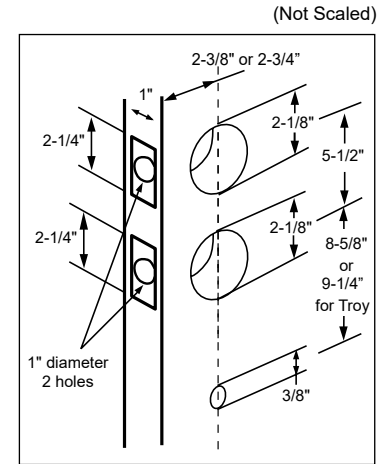
Deadbolt: 2-1/4" x 1-3/4" full lip round corner standard
Handle: 2-1/4" x 1-3/4" full lip round corner standard (other options available)

Handing

Specify handing when ordering lever interior trim

ANSI/BHMA

A 156.2 Grade 3



Door Preparation

FUNCTIONS

Code	Function	Description
1	Single Cylinder	Latchbolt operated by thumb-piece outside and grip inside. Deadbolt operated by key outside and turnpiece inside.
2	Double Cylinder	Latchbolt operated by thumb-piece outside and grip inside. Deadbolt operated by key on both sides.
4	Dummy	Handle and grip act as pull only. No operation.

FINISH AVAILABILITY

Pamex Code	7	0	P	9	2
US Code	3	10B	15	19	26
BHMA code	605	613	619	622	625
Lexington - FS7	•	•	•	•	•
Springfield - FSC			•		
Troy - FHS		•	•	•	•

HOW TO ORDER

FS7 0 3 1

Function

- 1 - Single Cylinder
- 2 - Double Cylinder
- 4 - Dummy

Interior Trim

- 3 - Saturn (FT3)
- F - Baron (FTF)
- YEI - Int'd Trim w /Naples (other options available)

Finish

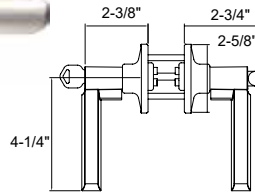
- 7 - Polished Brass
- 0 - Oil Rubbed Bronze
- P - Satin Nickel
- 9 - Matte Black
- 2 - Polished Chrome

Series

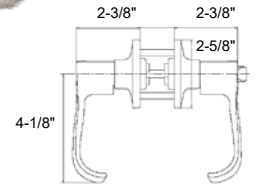
- FS7 - Lexington
- FSC - Springfield
- FHS - Troy



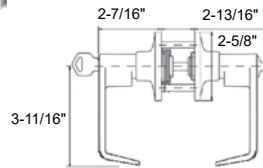
Alto - FLF



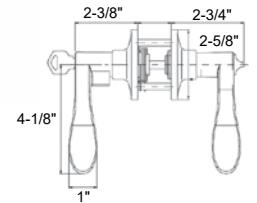
Milano - FLP



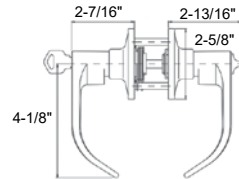
Calypso - FLU



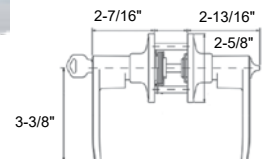
Naples - FLYE



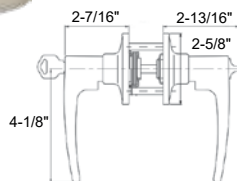
Denver - FLN



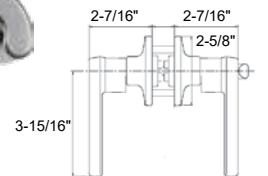
Olympic - FLG

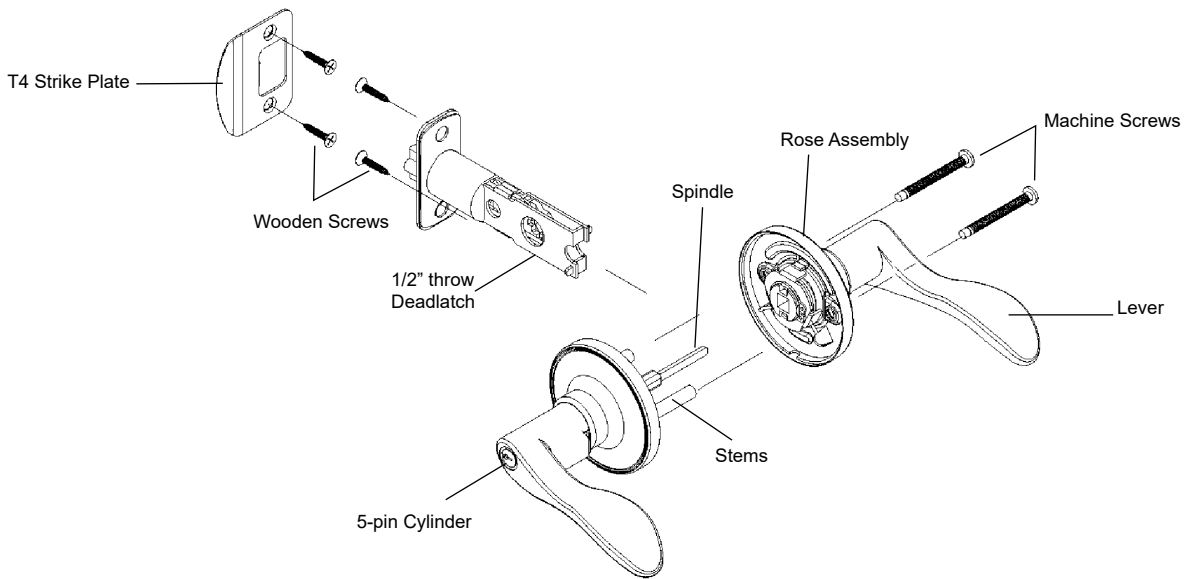


Florence - FLH



Viano - FLV





FEATURES & OPTIONS

Door Prep.

Cross Bore: 2-1/8", Edge:1"

Latch Backset

Exterior: Adjustable deadbolt standard
 Interior: Adjustable plainlatch standard
 (other options available)

Faceplate

1"x 2-1/4" round corner standard
 (other options available)

Bolt

1/2" throw

Door Thickness

Fits 1-3/8" to 1-3/4" standard
 (extension kit available for 1-3/4" to 2-1/4" door)

Cylinder

5-pin KW keyway solid brass cylinder standard
 5-pin SC "C" keyway available

Strike Plate

2-1/4" x 1-3/4" full lip round corner standard
 (other options available)

Rosette

All lever series come with round rosette as standard
 Square rosette available on Alto series

Handing

Specify right or left door handed. Reversible levers available.

ANSI/BHMA

A 156.2 Grade 3

FUNCTIONS

Code	Function	Description
00	Entry (F109)	Both levers locked or unlocked by key outside or turn piece inside.
01	Privacy (F76)	Both levers locked or unlocked by turn-piece inside. Outside lever locked or unlocked by a coin or screwdriver.
03	Passage (F75)	Both levers always free.
04	Half Dummy	For doors where only pull is required.
05	Storeroom (F86)	Outside lever always fixed and unlocked by key only. Inside always free.
07	Entry (F109) Quick-Release	Outside lever locked or unlocked by key. Inside lever locked by turn-piece and always free with quick release function. No unlocking required for panic exit.
08	Privacy (F76) Quick-Release	Outside lever locked or unlocked by coin or screwdriver. Inside lever locked by turn-piece and always free with quick release function. No unlocking required for panic exit.
07C	Entry (F109) ADA	Outside lever locked or unlocked by key. Inside lever locked by push-button and always free with quick release function. No unlocking required for panic exit.
08C	Privacy (F76) ADA	Outside lever locked or unlocked by coin or screwdriver. Inside lever locked by push-button and always free with quick release function. No unlocking required for panic exit.

HOW TO ORDER

FLYE 0 07C G L

Handing

- L - Left Handed
- R - Right Handed

Grade 2 Residential

Function

- 00 - Entry
- 01 - Privacy
- 03 - Passage
- 04 - Half Dummy
- 05 - Storeroom
- 07 - Quick-Release Entry
- 08 - Quick-Release Privacy
- 07C - ADA Entry (push button)
- 08C - ADA Privacy (push button)

Finish

- 7 - Polished Brass
- 8 - Antique Brass
- 0 - Oil Rubbed Bronze
- P/6 - Satin Nickel
- 9 - Matte Black
- 2 - Polished Chrome
- S - Satin Chrome

Series

- FLF - Alto
- FLU - Calypso
- FLN - Denver
- FLH - Florence
- FLP - Milano
- FLYE - Naples
- FLG - Olympic
- FLV - Viano

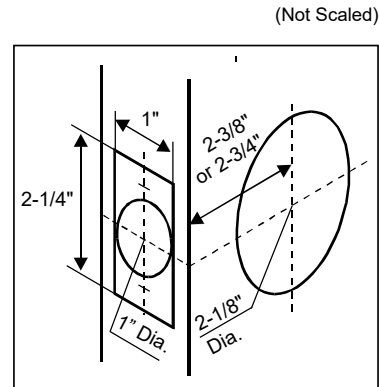
CODE COMPLIANCE

Meets ADA Requirements

- Entry w/ Push Button (07C)
- Privacy w/Push Button (08C)



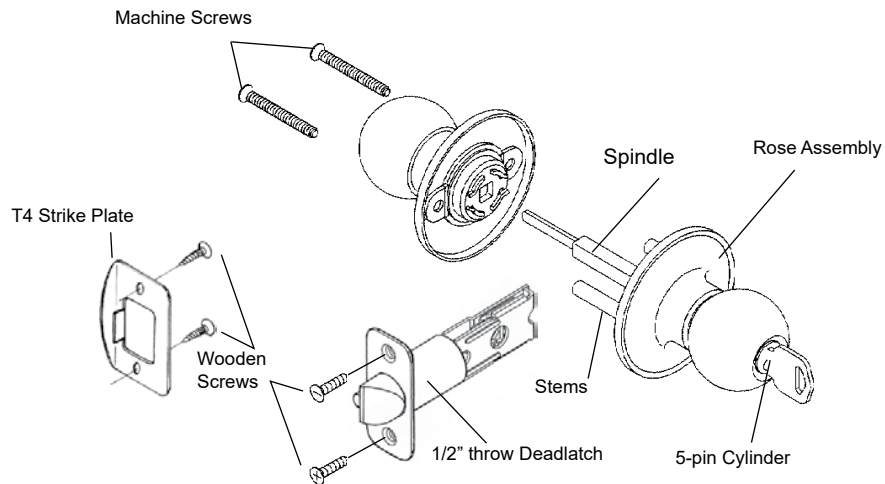
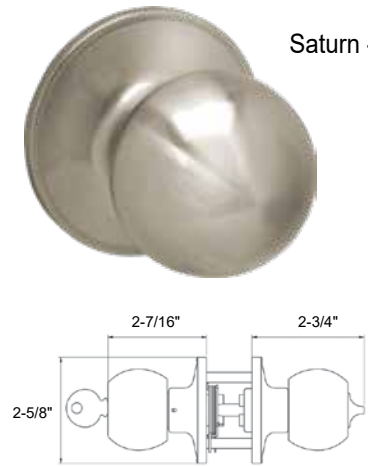
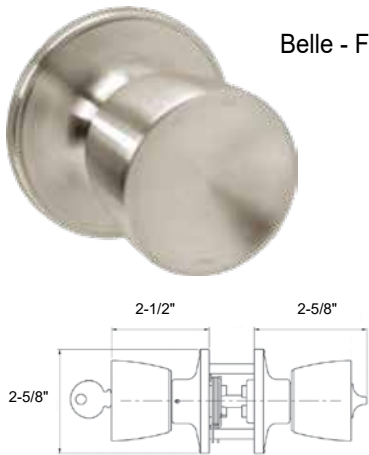
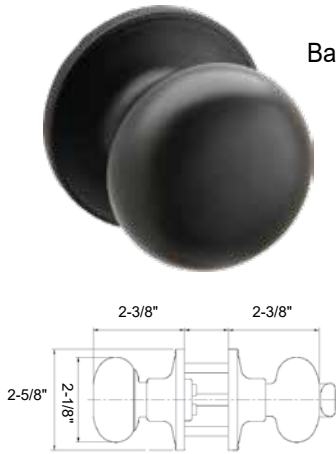
ADA



Door Preparation

FINISH AVAILABILITY

Pamex Code	7	8	0	P/6	9	2	S
US Code	3	5	10B	15	19	26	26D
BHMA code	605	609	613	619	622	625	626
Alto - FLY				•	•	•	
Calypso - FLU	•	•		•	•	•	•
Denver - FLN			•	•			
Florence - FLH				•	•		
Milano - FLP				•	•	•	
Naples - FLYE			•	•	•	•	
Olympic - FLG	•	•		•	•	•	•
Viano - FLV			•	•			



FEATURES & OPTIONS

Door Prep.

Cross Bore: 2-1/8", Edge: 1"

Latch Backset

Exterior: Adjustable deadbolt standard
Interior: Adjustable plainlatch standard
(other options available)

Faceplate

1"x 2-1/4" round corner standard
(other options available)

Bolt

1/2" throw

Door Thickness

Fits 1-3/8" to 1-3/4" standard
(extension kit available for 1-3/4" to 2-1/4" door)

Cylinder

5-pin KW keyway solid brass housing standard
5-pin SC "C" keyway available

Strike Plate

2-1/4" x 1-3/4" full lip round corner standard
(other options available)

Handing

Non-Handed

ANSI/BHMA

A 156.2 Grade 3

FUNCTIONS

Code	Function	Description
00	Entry (F109)	Both knobs locked or unlocked by key outside or turn-piece inside.
10	Privacy	Both knobs locked or unlocked by turn-piece inside. Outside lever locked or unlocked by a coin or screwdriver.
30	Passage (F75)	Both knobs always free.
40	Half Dummy	For doors where only pull is required.

HOW TO ORDER

FTYL 0 00

Function

- 00 - Entry
- 10 - Privacy
- 30 - Passage
- 40 - Half Dummy

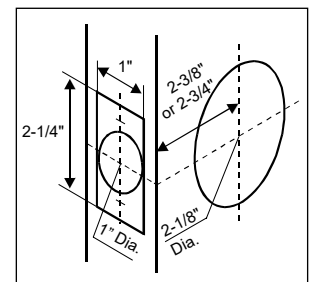
Finish

- 7 - Polished Brass
- 8 - Antique Brass
- 0 - Oil Rubbed Bronze
- P - Satin Nickel
- 9 - Matte Black
- 2 - Polished Chrome
- 6 - Satin Stainless Steel

Series

- FTF - Baron
- FT6 - Belle
- FTYL - Chester
- FT3 - Saturn

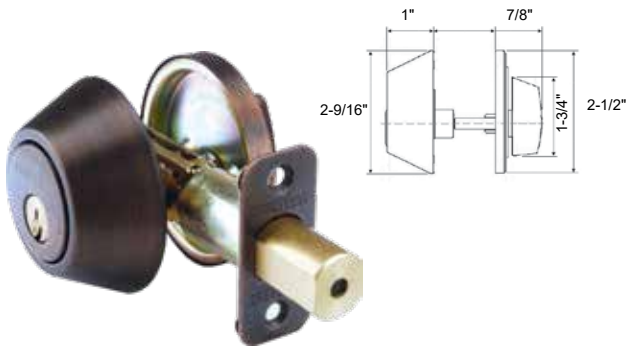
(Not Scaled)



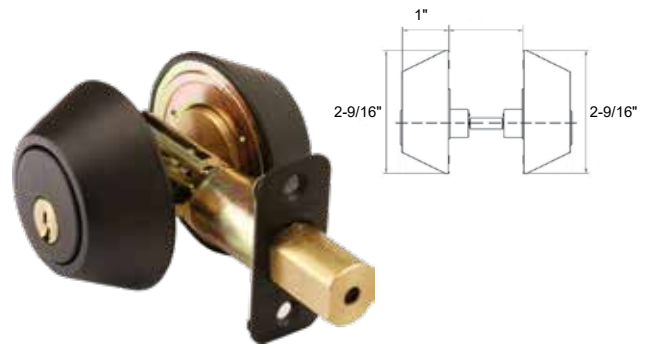
Door Preparation

FINISH AVAILABILITY

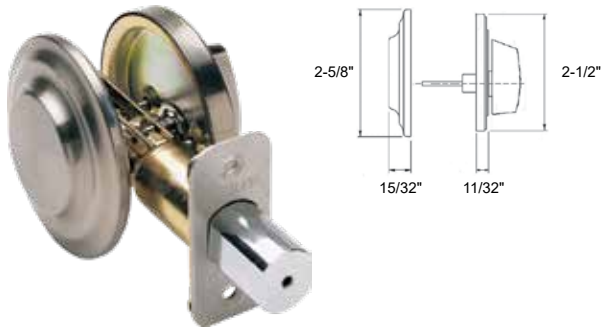
Pamex Code	7	8	0	P	9	2	6
US Code	3	5	10B	15	19	26	32D
BHMA code	605	609	613	619	622	625	630
Baron - FTF	•	•	•	•	•		•
Belle - FT6							•
Chester - FTYL			•	•			
Saturn - FT3	•	•	•	•		•	•



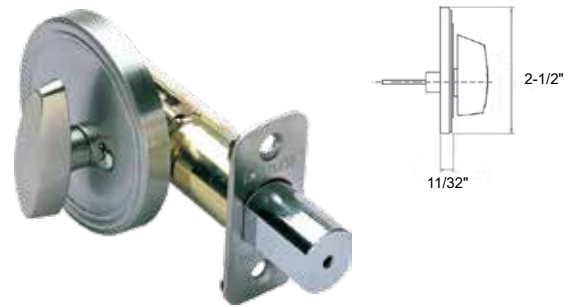
Single Cylinder Deadbolt



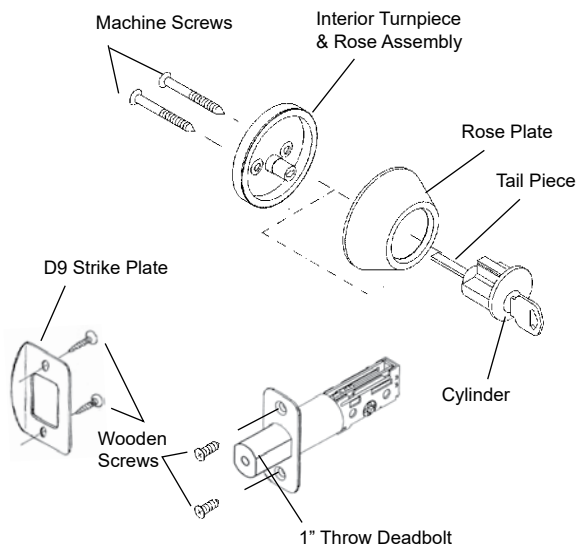
Double Cylinder Deadbolt



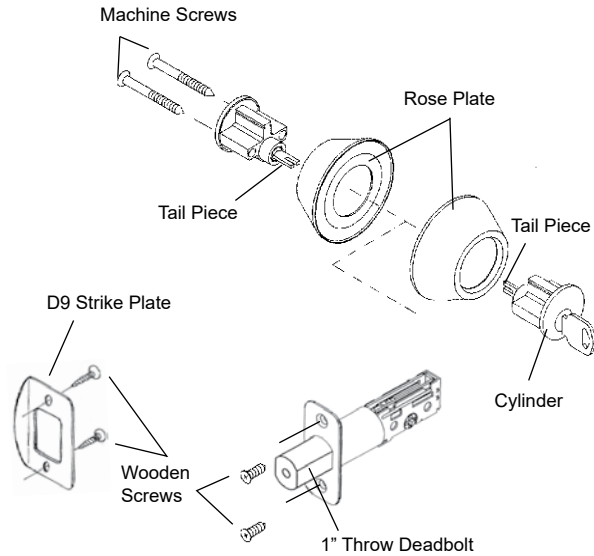
One-sided Deadbolt w/ Cover



One-Sided Deadbolt



Single Cylinder Deadbolt



Double Cylinder Deadbolt

FEATURES & OPTIONS

Door Prep.

Cross Bore: 2-1/8", Edge: 1"

Latch Backset

Adjustable deadbolt standard
(other options available)

Faceplate

1"x 2-1/4" round corner standard
(other options available)

Bolt

1" throw

Door Thickness

Fits 1-3/8" to 1-3/4" standard
(extension kit available for 1-3/4" to 2-1/4" door)

Cylinder

FD2 Series

5-pin KW keyway zinc die-cast housing standard
5-pin SC "C" keyway available

FD3 Series

5-pin KW keyway solid brass housing standard
5-pin SC "C" keyway available

Strike Plate

2-1/4" x 1-3/4" full lip round corner standard
(other options available)

Handing

Non-Handed

ANSI/BHMA

A 156.2 Grade 3

FUNCTIONS

Code	Function	Description
1	Single Cylinder (E0153)	Bolt is operated by key from outside and turn piece inside.
2	Double Cylinder (E0143)	Bolt is operated by key on both sides.
4	One-Sided (E0193)	Bolt is operated by turn-piece from inside only.
6	One-Sided w/ Cover (E0113)	Bolt is operated by turn-piece from inside only. Outside with cover plate only.

HOW TO ORDER

FD3 0 1

Function

- 1 - Single Cylinder / SC or KW
- 2 - Double Cylinder / SC or KW
- 4 - One-sided (for FD2 only)
- 6 - One-sided w/ Cover (for FD2 only)

Finish

- 7 - Polished Brass
- 8 - Antique Brass
- 0 - Oil Rubbed Bronze
- P - Satin Nickel
- 9 - Matte Black
- 2 - Polished Chrome
- 6 - Satin Stainless Steel

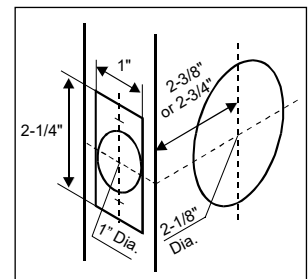
Series

- FD2 Series
- FD3 Series

FINISH AVAILABILITY

Pamex Code	7	8	0	P	9	2	6
US Code	3	5	10B	15	19	26	32D
BHMA code	605	609	613	619	622	625	630
FD2 Series	•	•	•	•	•	•	•
FD3 Series	•	•	•	•	•	•	•

(Not Scaled)



Door Preparation

Rim Type, Surface Vertical Rod, Less-Bottom-Rod & Concealed Rod Exit Devices

- ANSI A156.3, Grade 1
- UL listed for panic and UL 10C, UBC 7-2-1997 codes
- Heavy-duty exit devices
- Surface and concealed mounting
- Rim type, surface vertical rod, concealed vertical rod less-bottom-rod and concealed LBR w/auxiliary fire bolt
- Available with electric latch retraction (ELR), request to exit (REX), delayed egress (DE)
- 3-hour fire rated devices available
- Life-time mechanical warranty
5-year finish warranty



ADA



LISTED



CROSS REFERENCES

PAMEX	Von Duprin	Falcon	Dorma	PDQ	Yale	Sargent	Hager
E9000	98/99	24/25	9000	6200	7000	80	4500
	PHG	Corbin Russwin	Arrow	Design HD	Copper Creek	Stanley	Cal-Royal
	8800/8900	ED5000	3700/3800	1000	9500	QED100	7700

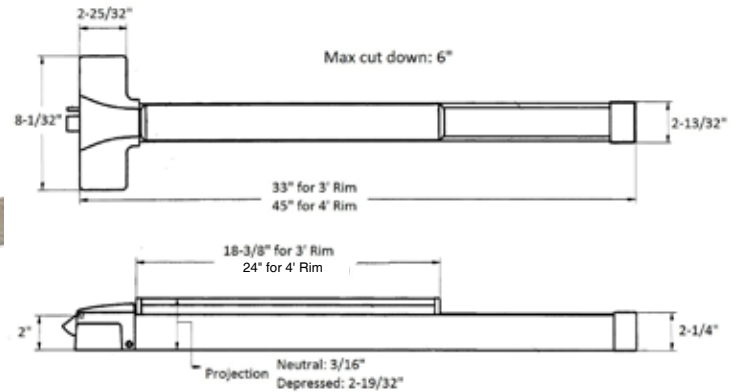
E9000 & EF9000 Rim Type Exit Devices



ADA



LISTED



FEATURES & OPTIONS

Door Width

For all doors up to 36" or 48" wide

Stile

5-3/8" minimum for single doors and standard 5/8" stop
4-7/8" minimum for double doors

Material

The chassis is made of aluminum or stainless steel. The cover is made of zinc or stainless steel.

Dogging

1/4" turn, hex key dogging (E9000 only, non-fire rated)
Cylinder dogging kit available

Strike

Stainless steel with plated roller

Latch Bolts

3/4" throw, Pullman type with automatic dead-latching, stainless steel

Fasteners

Furnished standard with wood, machine screws and thru-bolts

Backset

2-3/4" standard

Handing

Non-handed

Projection

3" maximum projection, 2-5/8" when depressed

Operation

Exit by slight pressure on any point on the push bar at all times

Trims

Compatible with E9000 series trims only

CODE COMPLIANCE

- ANSI A156.3, Grade 1
- UL listed for Panic and UL10C, UBC 7-2-1997 Codes
- UL 3 Hour Fire Rated (EF9000 only)

FINISH AVAILABILITY

- Stainless Steel (US32D/630)
- Satin Chrome (US26D/626)
- Dark Bronze (US10B/695)
- BL - Matte Black (US19/622)

HOW TO ORDER

EF 9000 / EO3 - SS

Finish

SS - Stainless Steel
AL - Satin Chrome
DB - Dark Bronze
BL - Matte Black

Function

EO3 - 3' Rim Type
EO4 - 4' Rim Type

Series

9000 Series

Fire Rating

E - Non-Fire Rated
EF - 3-HR Fire Rated

E9000V & EF9000V Surface Vertical Rod Exit Devices

FEATURES & OPTIONS

Door Height

For all doors up to 7'0", 8'0" or 10'0" high

Door Width

For all doors up to 36" or 48" wide

Stile

5-3/8" minimum for single doors and standard 5/8" stop
4-7/8" minimum for double doors

Material

The chassis is made of aluminum or stainless steel. The cover is made of zinc or stainless steel.

Dogging

1/4" turn, hex key dogging (E9000V only, non-fire rated)
Cylinder dogging kit available

Strike (Top & Bottom)

Stainless steel with plated roller

Top Latch

9/16" throw, Pullman with automatic dead-latching, stainless steel

Bottom Bolt

9/16" throw, Pullman type held retracted during door swing, stainless steel

Fasteners

Furnished standard with wood, machine screws and thru-bolts

Backset

2-3/4" standard

Handing

Non-handed

Projection

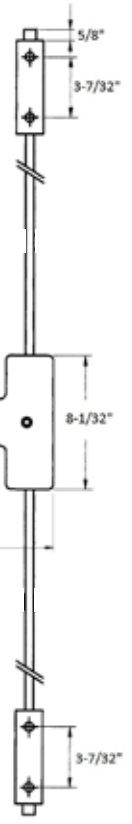
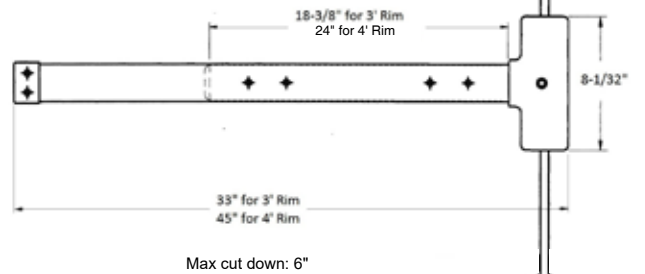
3" maximum projection, 2-5/8" when depressed

Operation

Exit by slight pressure on any point on the push bar at all times

Trims

Compatible with E9000 series trims only



CODE COMPLIANCE

- ANSI A156.3, Grade 1
- UL listed for Panic and UL10C, UBC 7-2-1997 Codes
- UL 3 Hour Fire Rated (EF9000V only)

FINISH AVAILABILITY

- Stainless Steel (US32D/630)
- Satin Chrome (US26D/626)
- Dark Bronze (US10B/695)
- BL - Matte Black (US19/622)

HOW TO ORDER

EF 9000V / EO3X7 - SS

Finish

- SS - Stainless Steel
- AL - Satin Chrome
- DB - Dark Bronze
- BL - Matte Black

Function

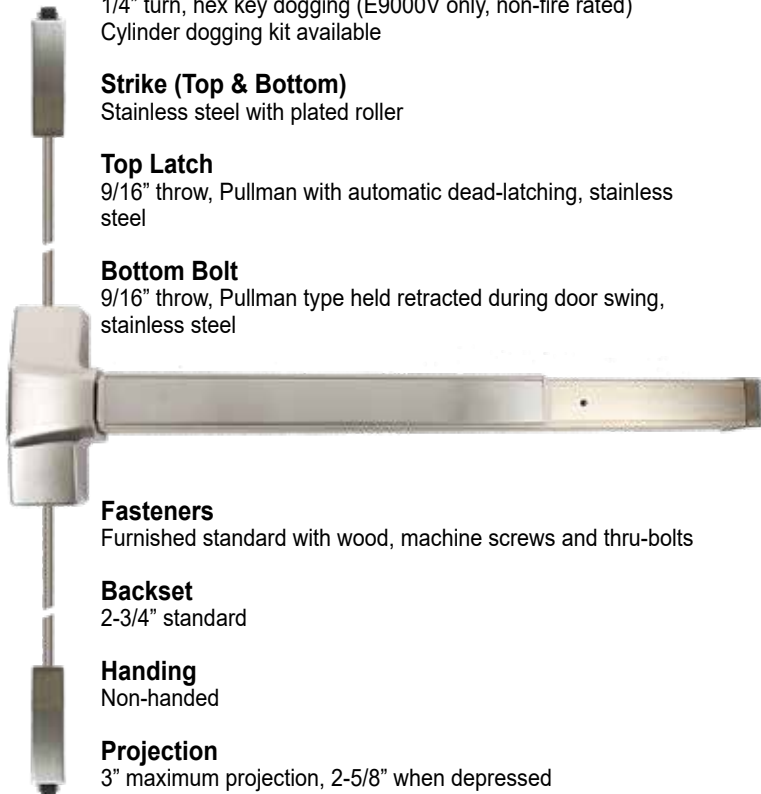
- EO3X7 - 3' x 7' Vertical Type
- EO3X8 - 3' x 8' Vertical Type
- EO4X7 - 4' x 7' Vertical Type
- EO4X8 - 4' x 8' Vertical Type
- EO4X10 - 4' x 10' Vertical Type

Series

9000V Series

Fire Rating

- E - Non-Fire Rated
- EF - 3-HR Fire Rated



E9020V & EF9020V Concealed Vertical Rod

FEATURES & OPTIONS

Door Height

For all doors up to 7'0" or 8'0" high

Door Width

For all doors up to 36" or 48" wide

Stile

5-3/8" minimum for single doors and standard 5/8" stop
4-7/8" minimum for double doors

Material

The chassis is made of aluminum or stainless steel. The cover is made of zinc or stainless steel.

Dogging

1/4" turn, hex key dogging (E9020V only, non-fire rated)
Cylinder dogging kit available

Strike (Top & Bottom)

Stainless steel with plated roller
Top strike mortised into frame

Top Latch

9/16" throw, Pullman with automatic dead-latching, stainless steel

Bottom Bolt

9/16" throw, Pullman type held retracted during door swing, stainless steel

Fasteners

Furnished standard with wood, machine screws and thru-bolts

Backset

2-3/4" standard

Handing

Non-handed

Projection

3" maximum projection, 2-5/8" when depressed

Operation

Exit by slight pressure on any point on the push bar at all times

Trims

Compatible with E9000 series trims only



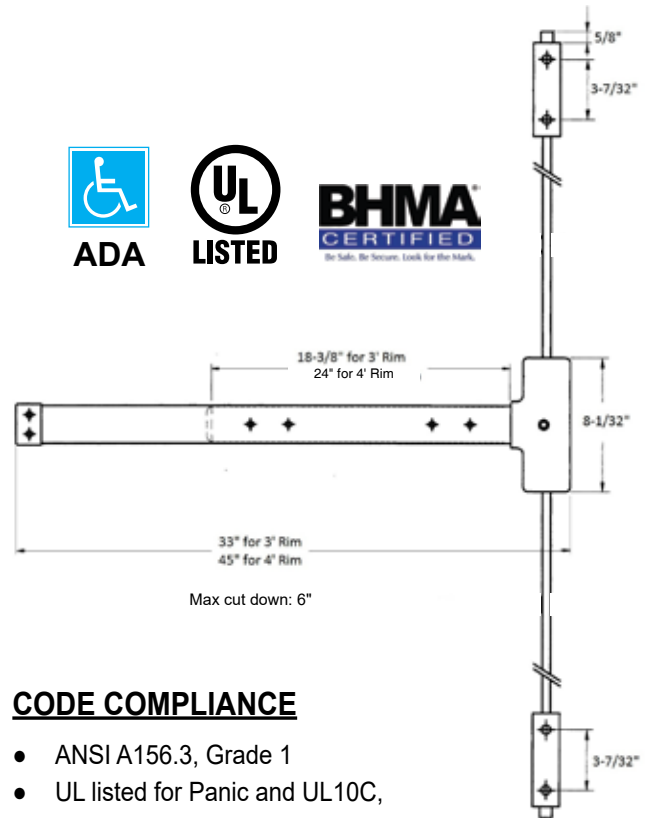
ADA



UL LISTED



BHMA CERTIFIED



CODE COMPLIANCE

- ANSI A156.3, Grade 1
- UL listed for Panic and UL10C, UBC 7-2-1997 Codes
- UL 3 Hour Fire Rated (EF9020V only)

FINISH AVAILABILITY

- Stainless Steel (US32D/630)
- Satin Chrome (US26D/626)
- Dark Bronze (US10B/695)

HOW TO ORDER

EF 9020V / EO3X7 - SS

Finish

SS - Stainless Steel
AL - Satin Chrome
DB - Dark Bronze

Function

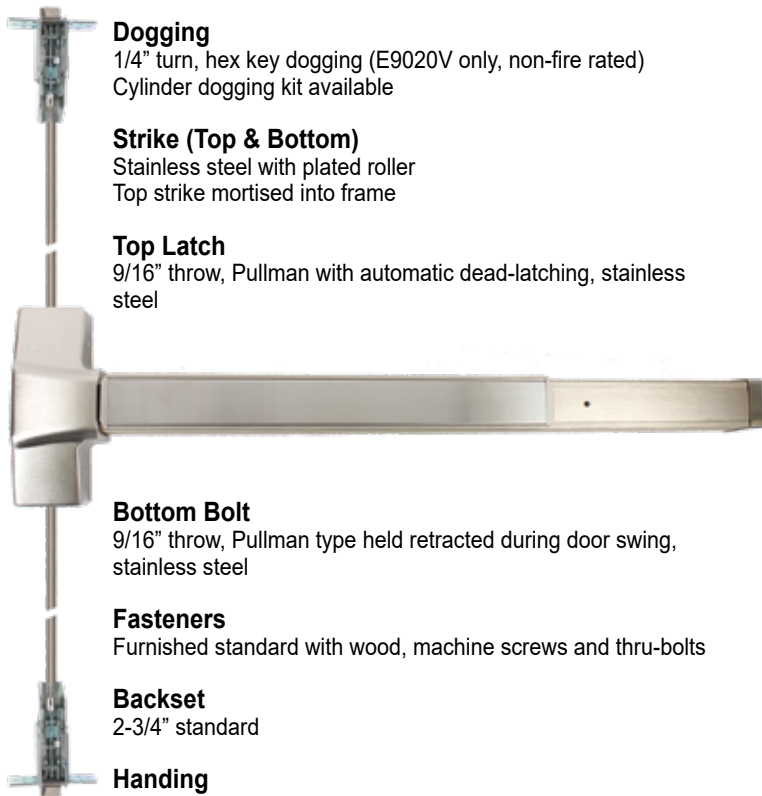
EO3X7 - 3' x 7' Vertical Type
EO3X8 - 3' x 8' Vertical Type
EO4X7 - 4' x 7' Vertical Type
EO4X8 - 4' x 8' Vertical Type

Series

9020V Series

Fire Rating

E - Non-Fire Rated
EF - 3-HR Fire Rated



EF9000V/LBR Less Bottom Rod Exit Devices

FEATURES & OPTIONS

Door Height

For all doors up to 7'0", 8'0" or 10'0" high

Door Width

For all doors up to 36" or 48" wide

Stile

5-3/8" minimum for single doors and standard 5/8" stop
4-7/8" minimum for double doors

Material

The chassis is made of aluminum or stainless steel. The cover is made of zinc or stainless steel

Dogging

No dogging on fire rated devices

Strike (Top)

Stainless steel with plated roller

Top Latch

9/16" throw, Pullman with automatic dead-latching, stainless steel

Auxiliary Fire Bolt

Auxiliary spring loaded latchbolt releases when exposed to fire to keep the door closed and regulated

Fasteners

Furnished standard with wood, machine screws and thru-bolts

Backset

2-3/4" standard

Handing

Non-handed

Projection

3" maximum projection, 2-5/8" when depressed

Operation

Exit by slight pressure on any point on the push bar at all times

Trims

Compatible with E9000 series trims only



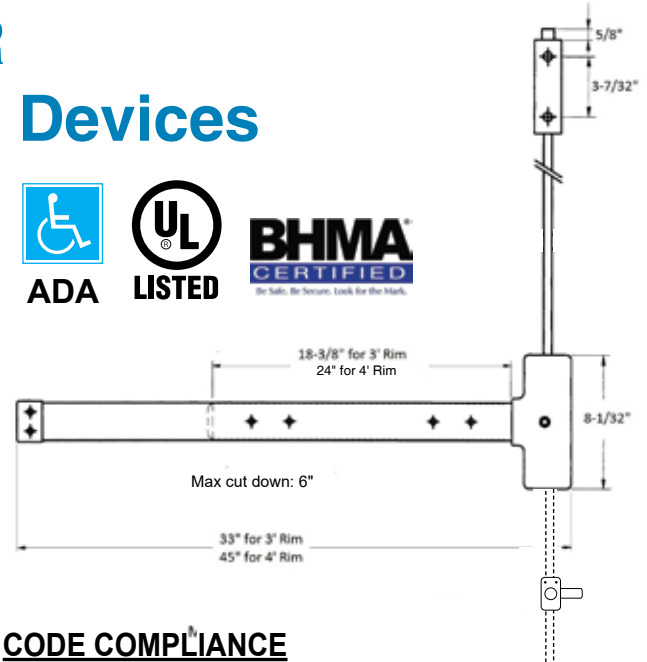
ADA



UL LISTED



BHMA CERTIFIED



CODE COMPLIANCE

- ANSI A156.3, Grade 1
- UL listed for Panic and UL10C, UBC 7-2-1997 Codes
- UL 3 Hour Fire Rated (EF9000V only)

FINISH AVAILABILITY

- Stainless Steel (US32D/630)
- Satin Chrome (US26D/626)
- Dark Bronze (US10B/695)
- BL - Matte Black (US19/622)

HOW TO ORDER

EF 9000V / LBR37 - SS

Finish

- SS - Stainless Steel
- AL - Satin Chrome
- DB - Dark Bronze
- BL - Matte Black

Function

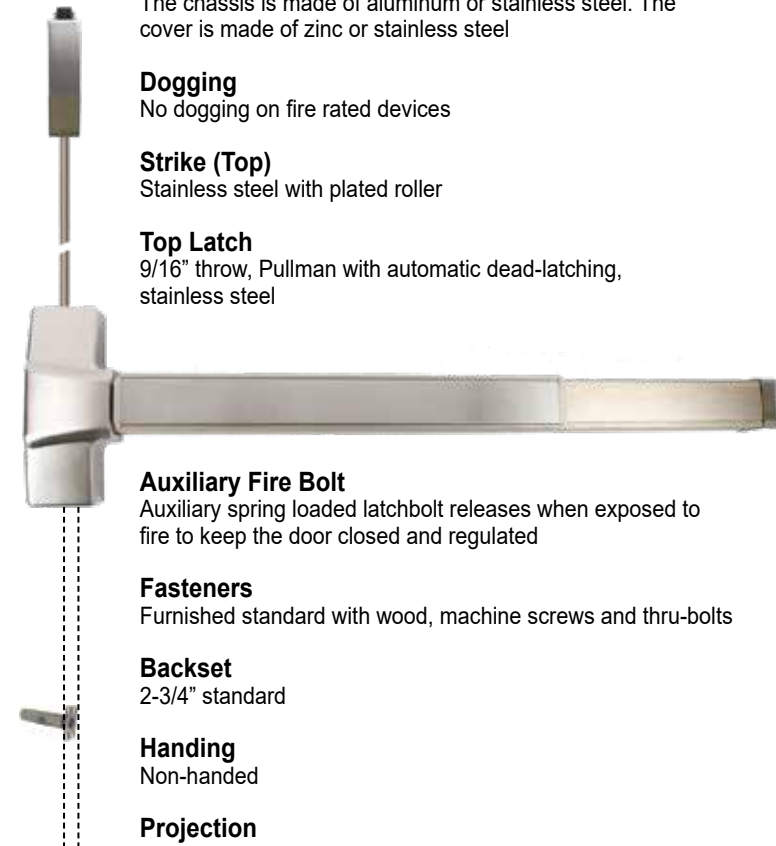
- LBR37 - 3' x 7' Less Btm Rod
- LBR38 - 3' x 8' Less Btm Rod
- LBR47 - 4' x 7' Less Btm Rod
- LBR48 - 4' x 8' Less Btm Rod
- LBR410 - 4' x 10' Less Btm Rod

Series

9000V Series

Fire Rating

EF - 3-HR Fire Rated



EF9020V/LBR Concealed Less Bottom Rod

FEATURES & OPTIONS

Door Height

For all doors up to 7'0" or 8'0" high

Door Width

For all doors up to 36" or 48" wide

Stile

5-3/8" minimum for single doors and standard 5/8" stop
4-7/8" minimum for double doors

Material

The chassis is made of aluminum or stainless steel. The cover is made of zinc or stainless steel.

Dogging

No dogging on fire rated devices

Strike (Top)

Stainless steel with plated roller
Top strike mortised into frame

Top Latch

9/16" throw, Pullman with automatic dead-latching,
stainless steel

Auxiliary Fire Bolt

Auxiliary spring loaded latchbolt releases when exposed to fire
to keep the door closed and regulated

Fasteners

Furnished standard with wood, machine screws and thru-bolts

Backset

2-3/4" standard

Handing

Non-handed

Projection

3" maximum projection, 2-5/8" when depressed

Operation

Exit by slight pressure on any point on the push bar at all times

Trims

Compatible with E9000 series trims only



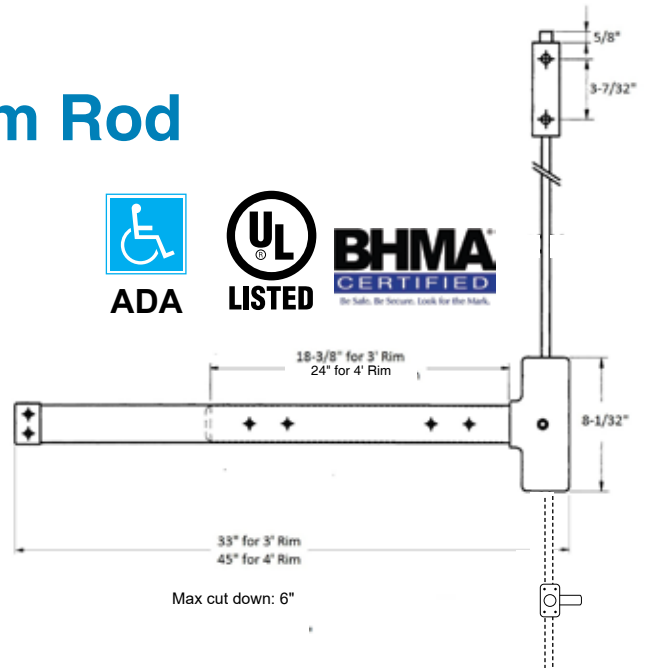
ADA



UL LISTED



BHMA CERTIFIED



CODE COMPLIANCE

- ANSI A156.3, Grade 1
- UL listed for Panic and UL10C, UBC 7-2-1997 Codes
- UL 3 Hour Fire Rated (EF9020V only)

FINISH AVAILABILITY

- Stainless Steel (US32D/630)
- Satin Chrome (US26D/626)
- Dark Bronze (US10B/695)

HOW TO ORDER

EF 9020V / LBR37 - SS

Finish

SS - Stainless Steel
AL - Satin Chrome
DB - Dark Bronze

Function

LBR37 - 3' x 7' Less Btm Rod
LBR38 - 3' x 8' Less Btm Rod
LBR47 - 4' x 7' Less Btm Rod
LBR48 - 4' x 8' Less Btm Rod

Series

9020V Series

Fire Rating

EF - 3-HR Fire Rated

Electric Latch Retraction



The Pamex E9000 Electric Latch Retraction (ELR) enables electric access control of mechanical exit devices. When energized, the motor retracts the exit device latch and pulls the pushpad into the dogged (depressed) position, enabling momentary push and pull operation of the door.

The latch retraction mechanism may be activated by an access control, remote control device or building automation system. The exit device always provides uninhibited egress.

FEATURES

- 24VDC @ 700 mA activation, 200 mA continuous
- For access control application
- Pushpad is depressed electrically for quieter push/pull operation
- Automatic re-trigger if device does not pull on first try

OPTIONAL ADD-ON

- Request to Exit (REX)
A signal that informs the controller that someone has requested to exit from a secure area.
- Latch Bolt Monitoring (LBM)
A signal that monitors the position of the latch bolt.
- Request to Exit & Latch Bolt Monitoring (REXLBM)
Combination of both signals.

HOW TO ORDER

Electric Latch Retraction (ELR) Only:
EF 9000V / (same as non-electric exit device)

Series

- 900E - Rim Type with ELR
- 900EV - Vertical Rod with ELR
- 902EV - Concealed Vertical Rod with ELR

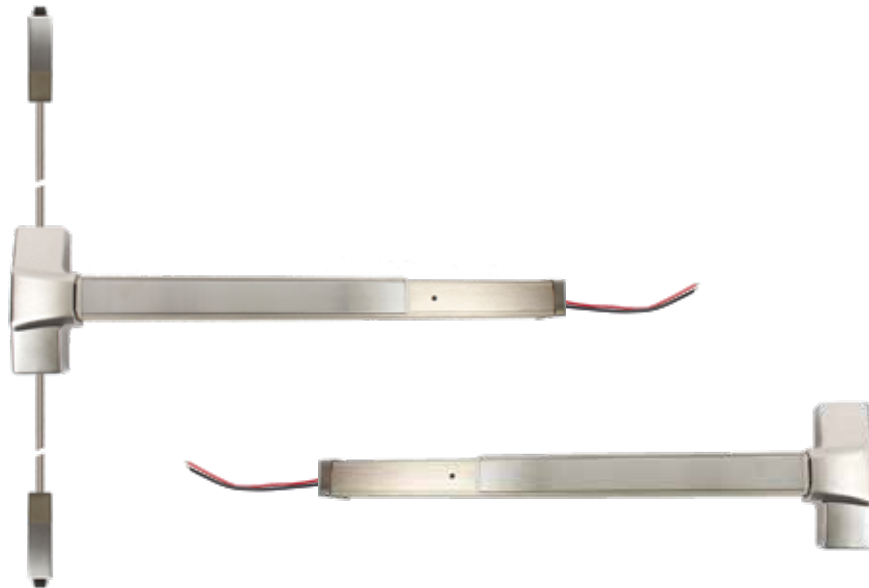
Fire Rating

- E - Non-Fire Rated
- EF - 3-HR Fire Rated

To order optional add on, specify:

- E9000/REX----- Request to Exit
- E9000/LBM----- Latch Bolt Monitoring

- E9000/REXLBM----- Request to Exit
& Latch Bolt Monitoring



Electrified Escutcheon Lever Trim



FEATURES & OPTIONS

Mechanical

Same as E9000 Escutcheon Lever Trim

Electrical

Voltage (Field selectable)

- .33 AMP @24 Volts AC | DC */ -10% (continuous duty)
- .61 AMP @12 Volts AC | DC */ -10% (continuous duty)

Function

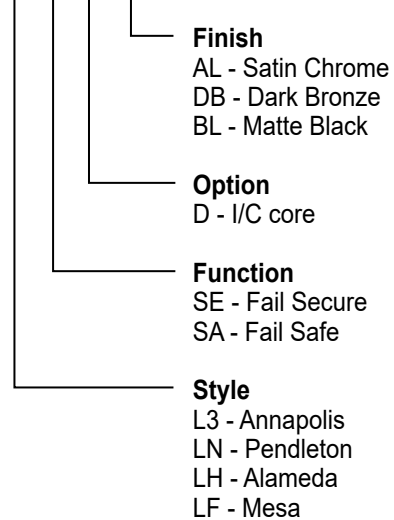
- Fail-Safe
- Fail-Secure

FINISH AVAILABILITY

- Satin Chrome (US26D/626)
- Dark Bronze (US10B/613)
- Matte Black (US19/622)

HOW TO ORDER

E9000 / L3 SE D- AL



L3



LN



LH



LF

Trims & Accessories

THUMB PIECE HANDLE TRIM

Door Preparation
Please see template

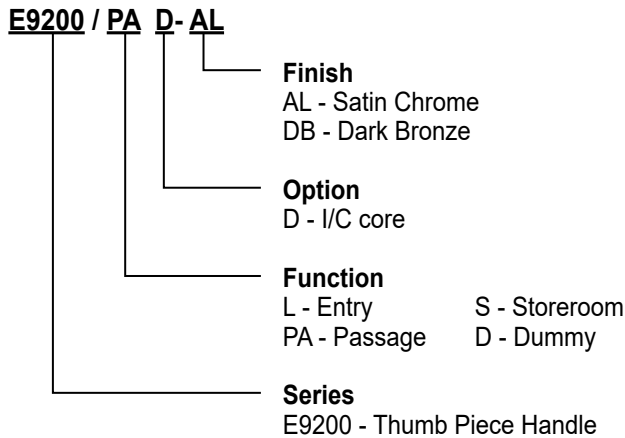
Door Thickness
Fits 1-3/4" to 2" standard, 2-1/4" available as option

Cylinder
6-pin SC "C" keyway solid brass cylinder standard
Also available in:
5-pin KW keyway
6 & 7 pin small format I/C core, Best A2 keyway
Entry - Mortise cylinder
Storeroom - Rim cylinder

Handing
Non-handed

Material
Steel Plate / Zinc Handle

HOW TO ORDER



FINISH AVAILABILITY

- Satin Chrome (US26D/626)
- Dark Bronze (US10B/613)

ESCUTCHEON LEVER TRIM

Door Preparation
Please see template

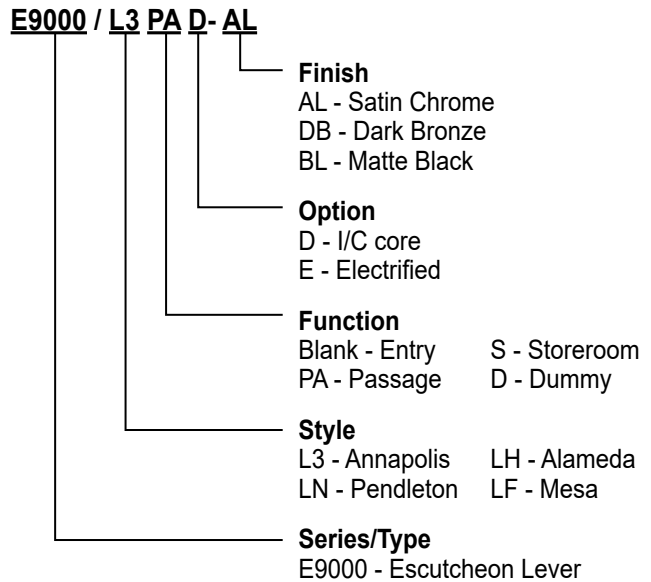
Door Thickness
Fits 1-3/4" to 2" standard

Cylinder
6-pin SC "C" keyway solid brass mortise cylinder standard
Also available in:
5-pin KW keyway
6 & 7 pin small format I/C core, Best A2 keyway
Entry - Mortise cylinder
Storeroom - Rim cylinder

Handing
Non-handed

Material
Zinc Die-Cast

HOW TO ORDER



Entry



Storeroom



L3 Entry



LN Entry



LH Entry



LF Entry

E9000 Escutcheon Plate Lever Trims

	Model #	Function	Door Thickness	Crossbore	Keyway	Finish
L3	E9000/L3	Entry	1-3/4" to 2" std	Special Prep. See Template	6-pin SC 5-pin KW SFIC	Satin Chrome Dark Bronze Matte Black
	E9000/L3S	Storeroom				
	E9000/L3PA	Passage				
	E9000/D3	Dummy				
	E9000/L3D	I/C Entry				
	E9000/L3SD	I/C Storeroom				
	E9000/L3SE	Elec. Storeroom				
	E9000/L3SED	Elec. I/C Storeroom				



Entry



Storeroom



Passage



Dummy

	Model #	Function	Door Thickness	Crossbore	Keyway	Finish
LN	E9000/LN	Entry	1-3/4" to 2" std	Special Prep. See Template	6-pin SC 5-pin KW SFIC	Satin Chrome Dark Bronze
	E9000/LNS	Storeroom				
	E9000/LNPA	Passage				
	E9000/DN	Dummy				
	E9000/LND	I/C Entry				
	E9000/LNSD	I/C Storeroom				
	E9000/LNSE	Elec. Storeroom				
	E9000/LNSED	Elec. I/C Storeroom				



Entry



Storeroom



Passage



Dummy

* Compatible with E9000 Series Exit Devices Only. For 2-1/4" door thickness, please specify when ordering.

E9000 Escutcheon Plate Lever Trims

	Model #	Function	Door Thickness	Crossbore	Keyway	Finish
LH	E9000/LH	Entry	1-3/4" to 2" std	Special Prep. See Template	6-pin SC 5-pin KW SFIC	Satin Chrome Dark Bronze Matte Black
	E9000/LHS	Storeroom				
	E9000/LHPA	Passage				
	E9000/DH	Dummy				
	E9000/LHD	I/C Entry				
	E9000/LHSD	I/C Storeroom				
	E9000/LHSE	Elec. Storeroom				
	E9000/LHSED	Elec. I/C Storeroom				



Entry



Storeroom



Passage



Dummy

	Model #	Function	Door Thickness	Crossbore	Keyway	Finish
LF	E9000/LF	Entry	1-3/4" to 2" std	Special Prep. See Template	6-pin SC 5-pin KW SFIC	Satin Chrome Matte Black
	E9000/LFS	Storeroom				
	E9000/LFPA	Passage				
	E9000/DF	Dummy				
	E9000/LFD	I/C Entry				
	E9000/LFSD	I/C Storeroom				
	E9000/LFSE	Elec. Storeroom				
	E9000/LFSED	Elec. I/C Storeroom				



Entry



Storeroom



Passage



Dummy

* Compatible with E9000 Series Exit Devices Only. For 2-1/4" door thickness, please specify when ordering.

E9200 Thumb Piece Handle Trims

	Model #	Function	Door Thickness	Crossbore	Keyway	Finish
E9200	E9200/L	Entry	1-3/4" to 2" std	Special Prep. See Template	6-pin SC 5-pin SC 5-pin KW SFIC	Satin Chrome Dark Bronze
	E9200/LS	Storeroom				
	E9200/PA	Passage				
	E9200/D	Dummy				
	E9200/LD	I/C Entry				
	E9200/LSD	I/C Storeroom				

* Compatible with E9000 Series Exit Devices Only. For 2-1/4" door thickness, please specify when ordering.



Entry



Storeroom



Passage



Dummy

Alarm Kit 	Cylinder Dogging 	Extension Kit 	Door Coordinator 	Mounting Bracket <p>(Sold per pair)</p>
Carry Bar 	Gravity Coordinator 	Overlapping Strike 	Strike Shim 	Auxiliary Fire Bolt
Glass Bead For Rim Type 	Glass Bead For Vertical Rod 	Windstorm Kit 		

Rim Type, Surface Vertical Rod, Less-Bottom-Rod & Concealed Rod Exit Devices

- ANSI A156.3, Grade 1
- UL listed for panic and UL 10C, UBC 7-2-1997 codes
- Heavy-duty exit devices
- Surface and concealed mounting
- Rim type, surface vertical rod, concealed vertical rod less-bottom-rod and concealed LBR with auxiliary fire bolt
- Available with electric latch retraction (ELR), request to exit (REX), delayed egress (DE)
- 3-hour fire rated devices available
- Life-time mechanical warranty
- 5-year finish warranty



CROSS REFERENCES

PAMEX	Von Duprin	Falcon	Dorma	PDQ	Yale	Sargent	Hager
E9100	33/35	1690/1790	9700	6200	7200	8500	4601
	PHG	Corbin Russwin	Arrow	Design HD	Copper Creek	Stanley	Cal-Royal
	---	ED4200	4800	---	---	QED200	GLS7700

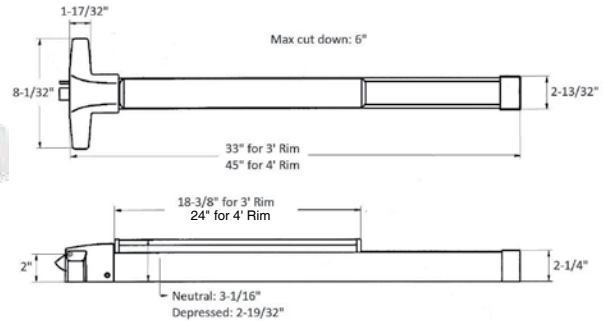
E9100 & EF9100 Rim Type Exit Devices



ADA



UL LISTED



FEATURES & OPTIONS

Door Width

For all doors up to 36" or 48" wide

Stile

2-5/8" minimum for single doors and standard 5/8" stop

Material

The chassis is made of aluminum or stainless steel. The cover is made of zinc or stainless steel.

Dogging

1/4" turn, hex key dogging (E9100 only, non-fire rated)
Cylinder dogging kit available

Strike

Stainless steel with plated roller

Latch Bolts

3/4" throw, Pullman type with automatic dead-latching, stainless steel

Fasteners

Furnished standard with wood, machine screws and thru-bolts

Handing

Non-handed

Projection

3" maximum projection, 2-5/8" when depressed

Operation

Exit by slight pressure on any point on the push bar at all times

Trims

Compatible with E9100 series trims only

CODE COMPLIANCE

- ANSI A156.3, Grade 1
- UL listed for Panic and UL10C, UBC 7-2-1997 Codes
- UL 3 Hour Fire Rated (EF9100 only)

FINISH AVAILABILITY

- Stainless Steel (US32D/630)
- Satin Chrome (US26D/626)
- Dark Bronze (US10B/695)
- BL - Matte Black (US19/622)

HOW TO ORDER

EF 9100 / EO3 - SS

Finish

SS - Stainless Steel
AL - Satin Chrome
DB - Dark Bronze
BL - Matte Black

Function

EO3 - 3' Rim Type
EO4 - 4' Rim Type

Series

9100 Series

Fire Rating

E - Non-Fire Rated
EF - 3-HR Fire Rated

E9100V & EF9100V Surface Vertical Rod Exit Devices

FEATURES & OPTIONS

Door Height

For all doors up to 7'0", 8'0" high

Door Width

For all doors up to 36" or 48" wide

Stile

2-5/8" minimum for single doors and standard 5/8" stop

Material

The chassis is made of aluminum or stainless steel. The cover is made of zinc or stainless steel.

Dogging

1/4" turn, hex key dogging (E9100V only, non-fire rated)
Cylinder dogging kit available

Strike (Top & Bottom)

Stainless steel with plated roller

Top Latch

9/16" throw, Pullman with automatic dead-latching, stainless steel

Bottom Bolt

9/16" throw, Pullman type held retracted during door swing, stainless steel

Fasteners

Furnished standard with wood, machine screws and thru-bolts

Handing

Non-handed

Projection

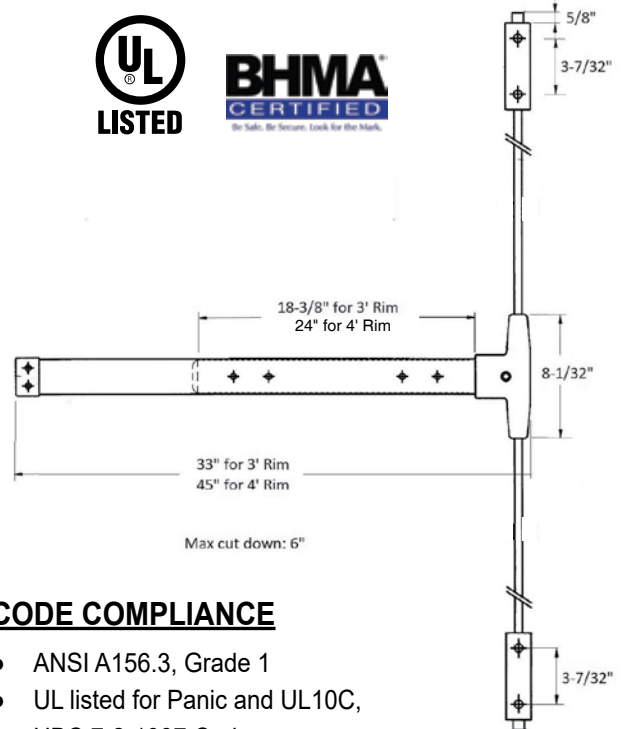
3" maximum projection, 2-5/8" when depressed

Operation

Exit by slight pressure on any point on the push bar at all times

Trims

Compatible with E9100 series trims only



CODE COMPLIANCE

- ANSI A156.3, Grade 1
- UL listed for Panic and UL10C, UBC 7-2-1997 Codes
- UL 3 Hour Fire Rated (EF9100V only)

FINISH AVAILABILITY

- Stainless Steel (US32D/630)
- Satin Chrome (US26D/626)
- Dark Bronze (US10B/695)
- BL - Matte Black (US19/622)

HOW TO ORDER

EF 9100V / EO3X7 - SS

Finish

- SS - Stainless Steel
- AL - Satin Chrome
- DB - Dark Bronze
- BL - Matte Black

Function

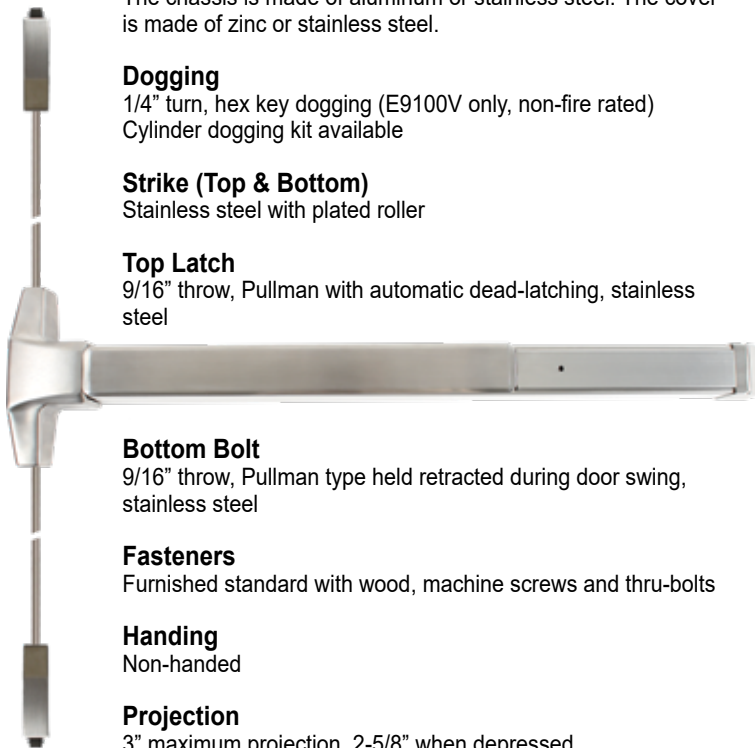
- EO3X7 - 3' x 7' Vertical Type
- EO3X8 - 3' x 8' Vertical Type
- EO4X7 - 4' x 7' Vertical Type
- EO4X8 - 4' x 8' Vertical Type

Series

9100V Series

Fire Rating

- E - Non-Fire Rated
- EF - 3-HR Fire Rated



E9120V & EF9120V Concealed Vertical Rod

FEATURES & OPTIONS

Door Height

For all doors up to 7'0" or 8'0" high

Door Width

For all doors up to 36" or 48" wide

Stile

2-5/8" minimum for single doors and standard 5/8" stop

Material

The chassis is made of aluminum or stainless steel. The cover is made of zinc or stainless steel.

Dogging

1/4" turn, hex key dogging (E9120V only, non-fire rated)
Cylinder dogging kit available

Strike (Top & Bottom)

Stainless steel with plated roller
Top strike mortised into frame

Top Latch

9/16" throw, Pullman with automatic dead-latching, stainless steel

Bottom Bolt

9/16" throw, Pullman type held retracted during door swing, stainless steel

Fasteners

Furnished standard with wood, machine screws and thru-bolts

Handing

Non-handed

Projection

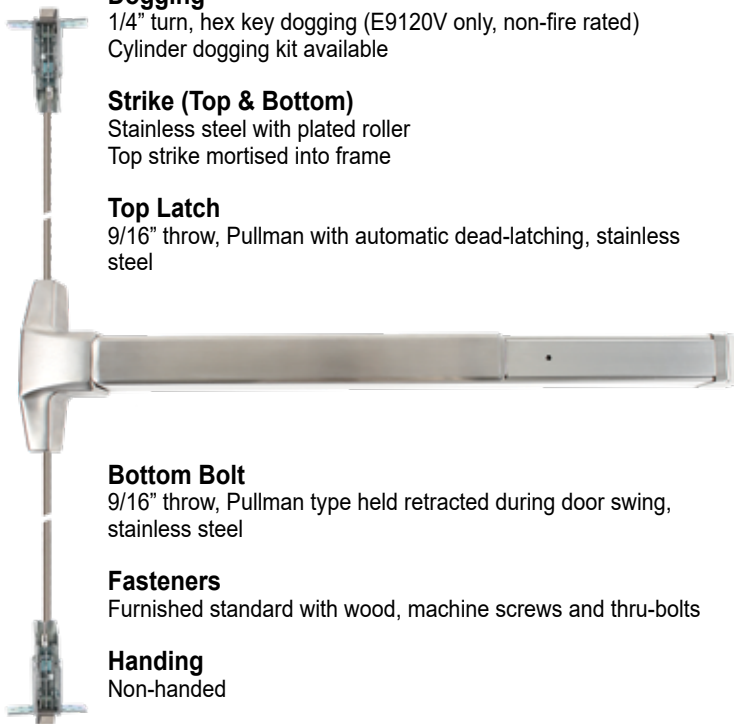
3" maximum projection, 2-5/8" when depressed

Operation

Exit by slight pressure on any point on the push bar at all times

Trims

Compatible with E9100 series trims only



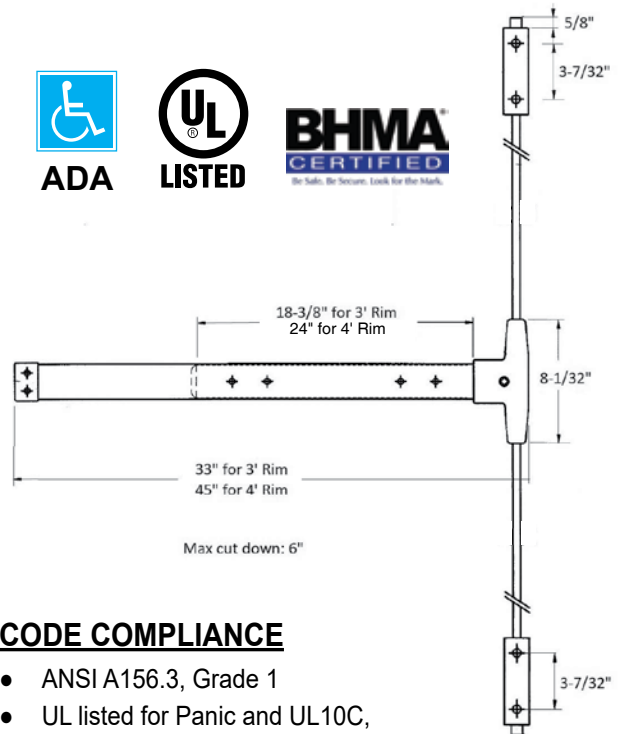
ADA



UL LISTED



BHMA CERTIFIED



CODE COMPLIANCE

- ANSI A156.3, Grade 1
- UL listed for Panic and UL10C, UBC 7-2-1997 Codes
- UL 3 Hour Fire Rated (EF9120V only)

FINISH AVAILABILITY

- Stainless Steel (US32D/630)
- Satin Chrome (US26D/626)
- Dark Bronze (US10B/695)

HOW TO ORDER

EF 9120V / EO3X7 - SS

Finish

SS - Stainless Steel
AL - Satin Chrome
DB - Dark Bronze

Function

EO3X7 - 3' x 7' Vertical Type
EO3X8 - 3' x 8' Vertical Type
EO4X7 - 4' x 7' Vertical Type
EO4X8 - 4' x 8' Vertical Type

Series

9120V Series

Fire Rating

E - Non-Fire Rated
EF - 3-HR Fire Rated

EF9100V/LBR Less Bottom Rod Exit Devices

FEATURES & OPTIONS

Door Height

For all doors up to 7'0", 8'0" high

Door Width

For all doors up to 36" or 48" wide

Stile

2-5/8" minimum for single doors and standard 5/8" stop

Material

The chassis is made of aluminum or stainless steel. The cover is made of zinc or stainless steel.

Dogging

No dogging on fire rated devices

Strike (Top)

Stainless steel with plated roller

Top Latch

9/16" throw, Pullman with automatic dead-latching, stainless steel

Auxiliary Fire Bolt

Auxiliary spring loaded latchbolt releases when exposed to fire to keep the door closed and regulated

Fasteners

Furnished standard with wood, machine screws and thru-bolts

Handing

Non-handed

Projection

3" maximum projection, 2-5/8" when depressed

Operation

Exit by slight pressure on any point on the push bar at all times

Trims

Compatible with E9100 series trims only



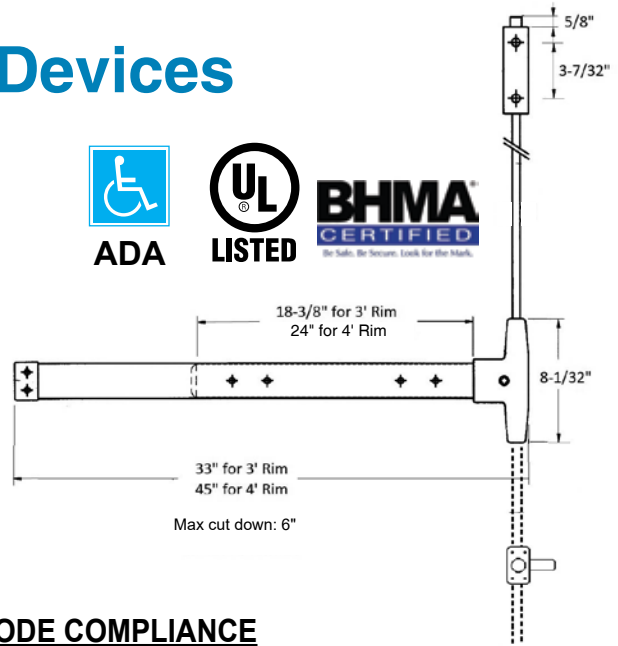
ADA



UL LISTED



BHMA CERTIFIED



CODE COMPLIANCE

- ANSI A156.3, Grade 1
- UL listed for Panic and UL10C, UBC 7-2-1997 Codes
- UL 3 Hour Fire Rated (EF9100V only)

FINISH AVAILABILITY

- Stainless Steel (US32D/630)
- Satin Chrome (US26D/626)
- Dark Bronze (US10B/695)
- BL - Matte Black (US19/622)

HOW TO ORDER

EF 9100V / LBR37 - SS

Finish

- SS - Stainless Steel
- AL - Satin Chrome
- DB - Dark Bronze
- BL - Matte Black

Function

- LBR37 - 3' x 7' Less Btm Rod
- LBR38 - 3' x 8' Less Btm Rod
- LBR47 - 4' x 7' Less Btm Rod
- LBR48 - 4' x 8' Less Btm Rod

Series

9100V Series

Fire Rating

EF - 3-HR Fire Rated



EF9120V/LBR Concealed Less Bottom Rod

FEATURES & OPTIONS

Door Height

For all doors up to 7'0" or 8'0" high

Door Width

For all doors up to 36" or 48" wide

Stile

2-5/8" minimum for single doors and standard 5/8" stop

Material

The chassis is made of aluminum or stainless steel. The cover is made of zinc or stainless steel.

Dogging

No dogging on fire rated devices

Strike (Top)

Stainless steel with plated roller
Top strike mortised into frame

Top Latch

9/16" throw, Pullman with automatic dead-latching,
stainless steel

Auxiliary Fire Bolt

Auxiliary spring loaded latchbolt releases when exposed to fire
to keep the door closed and regulated

Fasteners

Furnished standard with wood, machine screws and thru-bolts

Handing

Non-handed

Projection

3" maximum projection, 2-5/8" when depressed

Operation

Exit by slight pressure on any point on the push bar at all times

Trims

Compatible with E9100 series trims only



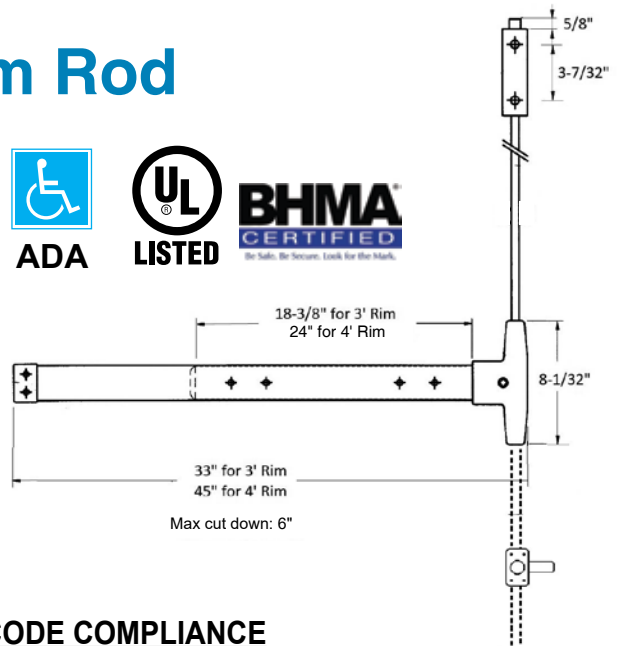
ADA



LISTED



BHMA CERTIFIED



CODE COMPLIANCE

- ANSI A156.3, Grade 1
- UL listed for Panic and UL10C, UBC 7-2-1997 Codes
- UL 3 Hour Fire Rated (EF9120V only)

FINISH AVAILABILITY

- Stainless Steel (US32D/630)
- Satin Chrome (US26D/626)
- Dark Bronze (US10B/695)

HOW TO ORDER

EF 9120V / LBR37 - SS

Finish

SS - Stainless Steel
AL - Satin Chrome
DB - Dark Bronze

Function

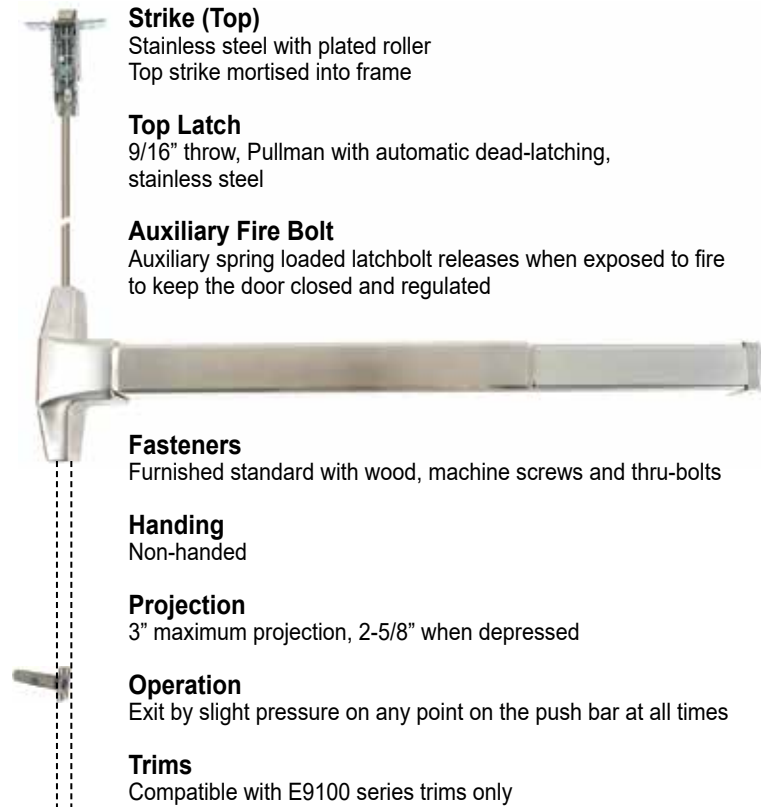
LBR37 - 3' x 7' Less Btm Rod
LBR38 - 3' x 8' Less Btm Rod
LBR47 - 4' x 7' Less Btm Rod
LBR48 - 4' x 8' Less Btm Rod

Series

9120V Series

Fire Rating

EF - 3-HR Fire Rated





Electric Latch Retraction

The Pamex E9100 Electric Latch Retraction (ELR) enables electric access control of mechanical exit devices. When energized, the motor retracts the exit device latch and pulls the pushpad into the dogged (depressed) position enabling momentary push and pull operation of the door.

The latch retraction mechanism may be activated by an access control, remote control device or building automation system. The exit device always provides uninhibited egress.

FEATURES

- 24VDC @ 700 mA activation, 200 mA continuous
- For access control application
- Pushpad is depressed electrically for quieter push/pull operation
- Automatic re-trigger if device does not pull on first try

OPTIONAL ADD-ON

- Request to Exit (REX)
A signal that informs the controller that someone has requested to exit from a secure area.
- Latch Bolt Monitoring (LBM)
A signal that monitors the position of the latch bolt.
- Request to Exit & Latch Bolt Monitoring (REXLBM)
Combination of both signals.

HOW TO ORDER

Electric Latch Retraction (ELR) Only:
EF 9100V / (same as non electric exit device)

Series

- 910E - Rim Type with ELR
- 910EV - Vertical Rod with ELR
- 912EV - Concealed Vertical Rod with ELR

Fire Rating

- E - Non-Fire Rated
- EF - 3-HR Fire Rated

To order optional add on, specify:

- E9100/REX----- Request to Exit
- E9100/LBM----- Latch Bolt Monitoring

- E9100/REXLBM----- Request to Exit
& Latch Bolt Monitoring



Trims & Accessories

ESCUTCHEON LEVER TRIM

Door Preparation

Please see template

Door Thickness

Fit 1-3/4" to 2" standard

Cylinder

6-pin SC "C" keyway solid brass mortise cylinder standard

Also available in:

5-pin KW keyway

6 & 7 pin small format I/C core, Best A2 keyway

Entry - Mortise cylinder

Storeroom - Rim cylinder

Handing

Non-handed

Material

Zinc Die-Cast

FINISH AVAILABILITY

- Satin Chrome (US26D/626)
- Dark Bronze (US10B/613)
- Matte Black (US19/622)

HOW TO ORDER

E9100 / L3 PA D- AL

Finish

AL - Satin Chrome

DB - Dark Bronze

BL - Matte Black

Option

D - I/C core

Function

Blank - Entry

PA - Passage

S - Storeroom

D - Dummy

Style

LH - Alameda

L3 - Annapolis

LN - Pendleton

Series/Type

E9100 - Escutcheon Lever



L3 Entry



LN Entry



LH Entry

Alarm Kit	Cylinder Dogging	Extension Kit	Door Coordinator	Mounting Bracket
				 (Sold per pair)
Carry Bar	Gravity Coordinator	Overlapping Strike	Strike Shim	Auxiliary Fire Bolt

E9100 Escutcheon Plate Lever Trims

	Model #	Function	Door Thickness	Crossbore	Keyway	Finish
L3	E9100/L3	Entry	1-3/4" to 2" std	Special Prep. See Template	6-pin SC 5-pin KW SFIC	Satin Chrome Dark Bronze Matte Black
	E9100/L3S	Storeroom				
	E9100/L3PA	Passage				
	E9100/D3	Dummy				
	E9100/L3D	I/C Entry				
	E9100/L3SD	I/C Storeroom				
	E9100/L3SE	Elec. Storeroom				
E9100/L3SED	Elec. I/C Storeroom					



Entry



Storeroom



Passage



Dummy

	Model #	Function	Door Thickness	Crossbore	Keyway	Finish
LN	E9100/LN	Entry	1-3/4" to 2" std	Special Prep. See Template	6-pin SC 5-pin KW SFIC	Satin Chrome Dark Bronze
	E9100/LNS	Storeroom				
	E9100/LNPA	Passage				
	E9100/DN	Dummy				
	E9100/LND	I/C Entry				
	E9100/LNSD	I/C Storeroom				
	E9100/LNSE	Elec. Storeroom				
E9100/LNSED	Elec. I/C Storeroom					



Entry



Storeroom



Passage



Dummy

	Model #	Function	Door Thickness	Crossbore	Keyway	Finish
LH	E9100/LH	Entry	1-3/4" to 2" std	Special Prep. See Template	6-pin SC 5-pin KW SFIC	Satin Chrome Dark Bronze
	E9100/LHS	Storeroom				
	E9100/LHPA	Passage				
	E9100/DH	Dummy				
	E9100/LHD	I/C Entry				
	E9100/LHSD	I/C Storeroom				
	E9100/LHSE	Elec. Storeroom				
E9100/LHSED	Elec. I/C Storeroom					



Entry



Storeroom



Passage



Dummy

* Compatible with E9100 Series Exit Devices Only. For 2-1/4" door thickness, please specify when ordering.

Rim Type Exit Devices

- ANSI A156.3, Grade 1
- UL listed for panic and UL 10C, UBC 7-2-1997 codes
- Heavy-duty exit devices
- Surface mounting
- 3-hour fire rated devices available
- Life-time mechanical warranty
5-year finish warranty



CROSS REFERENCES

PAMEX	Von Duprin	Falcon	Dorma	PDQ	Yale	Sargent	Hager
E9300	98/9975	25-M	9500	6200	7130	8900	4500
	PHG	Corbin Russwin	Arrow	Design HD	Copper Creek	Stanley	Cal-Royal
	--	5600	3900	--	--	--	MR9800

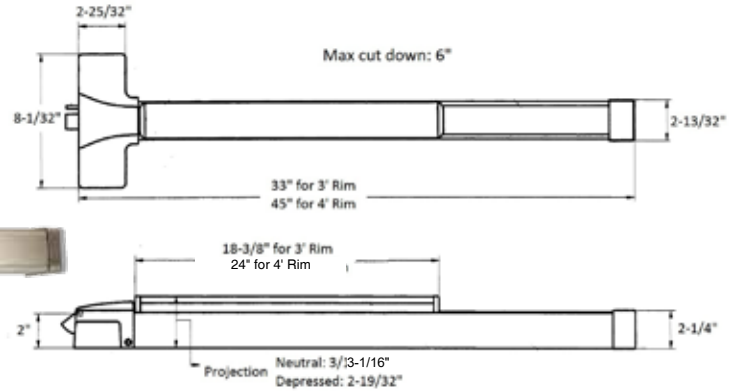
E9300 & EF9300 Rim Type Exit Devices



ADA



LISTED



FEATURES & OPTIONS

Door Width

For all doors up to 36" or 48" wide

Stile

5-3/8" minimum for single doors and standard 5/8" stop
4-7/8" minimum for double doors

Material

The chassis is made of aluminum or stainless steel. The cover is made of zinc or stainless steel.

Dogging

1/4" turn, hex key dogging (E9300 only, non-fire rated)
Cylinder dogging kit available

Strike

Stainless steel with plated roller

Latch Bolts

3/4" throw, Pullman type with automatic dead-latching, stainless steel

Fasteners

Furnished standard with wood, machine screws and thru-bolts

Backset

2-3/4" standard

Handing

Non-handed

Projection

3" maximum projection, 2-5/8" when depressed

Operation

Exit by slight pressure on any point on the push bar at all times

Trims

Compatible with E9300 series trims only

CODE COMPLIANCE

- ANSI A156.3, Grade 1
- UL listed for Panic and UL10C, UBC 7-2-1997 Codes
- UL 3 Hour Fire Rated (EF9300 only)

FINISH AVAILABILITY

- Satin Chrome (US26D/626)

HOW TO ORDER

EF 9300 / EO3 - AL

Finish

AL - Satin Chrome

Function

EO3 - 3' Rim Type
EO4 - 4' Rim Type

Series

93000 Series

Fire Rating

E - Non-Fire Rated
EF - 3-HR Fire Rated

Trims

ESCUTCHEON LEVER TRIM

Door Preparation
Please see template

Door Thickness
Fit 1-3/4" to 2" standard

Cylinder
6-pin SC "C" keyway solid brass mortise cylinder standard
Also available in:
5-pin KW keyway
6 & 7 pin small format I/C core, Best A2 keyway
Entry - Mortise cylinder
Storeroom - Rim cylinder

Handing
Non-handed

Material
Zinc Die-Cast

HOW TO ORDER

E9300 / L3 PA D- AL

- Finish**
AL - Satin Chrome
- Option**
D - I/C core
E - Electrified
- Function**
Blank - Entry
PA - Passage
S - Storeroom
D - Dummy
- Style**
LH - Alameda
L3 - Annapolis
LN - Pendleton
- Series/Type**
E9300 - Escutcheon Lever

FINISH AVAILABILITY

- Satin Chrome (US26D/626)



L3 Entry



LN Entry



LH Entry

E9000 Escutcheon Plate Lever Trims

	Model #	Function	Door Thickness	Crossbore	Keyway	Finish
L3	E9300/L3	Entry	1-3/4" to 2" std	Special Prep. See Template	6-pin SC 5-pin KW SFIC	Satin Chrome
	E9350/L3S	Storeroom				
	E9300/L3PA	Passage				
	E9300/D3	Dummy				
	E9300/L3D	I/C Entry				
	E9350/L3SD	I/C Storeroom				
	E9300/L3SE	Elec. Storeroom				
E9300/L3SED	Elec. I/C Storeroom					



Entry



Storeroom



Passage



Dummy

	Model #	Function	Door Thickness	Crossbore	Keyway	Finish
LN	E9300/LN	Entry	1-3/4" to 2" std	Special Prep. See Template	6-pin SC 5-pin KW SFIC	Satin Chrome
	E9350/LNS	Storeroom				
	E9300/LNPA	Passage				
	E9300/DN	Dummy				
	E9300/LND	I/C Entry				
	E9350/LNSD	I/C Storeroom				
	E9300/LNSE	Elec. Storeroom				
E9300/LNSED	Elec. I/C Storeroom					



Entry



Storeroom



Passage



Dummy

	Model #	Function	Door Thickness	Crossbore	Keyway	Finish
LH	E9300/LH	Entry	1-3/4" to 2" std	Special Prep. See Template	6-pin SC 5-pin KW SFIC	Satin Chrome
	E9350/LHS	Storeroom				
	E9300/LHPA	Passage				
	E9300/DH	Dummy				
	E9300/LHD	I/C Entry				
	E9350/LHSD	I/C Storeroom				
	E9300/LHSE	Elec. Storeroom				
E9300/LHSED	Elec. I/C Storeroom					



Entry



Storeroom



Passage



Dummy

* Compatible with E9300 Series Exit Devices Only. For 2-1/4" door thickness, please specify when ordering.

Rim Type, Vertical Rod and Less-Bottom-Rod Exit Devices

- ANSI A156.3, Grade 1
- UL listed for panic and UL 10C, UBC 7-2-1997 codes
- Heavy-duty exit devices
- Surface mount
- Rim type, Vertical Rod and Less-Bottom-Rod with auxiliary fire bolt
- 3-hour fire rated devices available
- 10-year mechanical warranty
5-year finish warranty
- Alarm kit available, ANSI A156.29



CROSS REFERENCES

PAMEX	Von Duprin	Falcon	Dorma	PDQ	Yale	Sargent	Hager
E7000	98/99	24/25	9000	4200	2100	80	4500
	PHG	Corbin Russwin	Arrow	Design HD	Copper Creek	Stanley	Cal-Royal
	8800/8900	ED5000	3700/3800	1000	9500	2000	7700

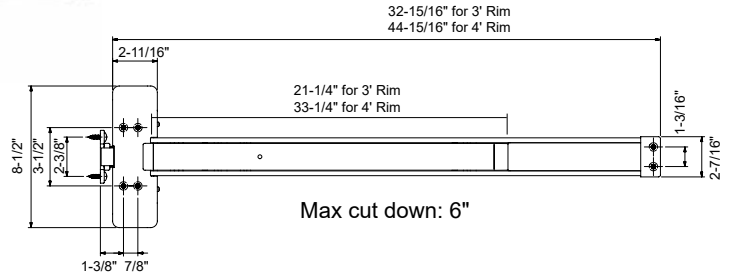
E7000 & EF7000 Rim Type Exit Devices



ADA



LISTED



FEATURES & OPTIONS

Door Width

For all doors up to 36" or 48" wide

Stile

4-1/4" minimum

Material

The chassis is made of aluminum or stainless steel.
The cover is made of zinc or stainless steel.

Dogging

1/4" turn, hex key dogging (E7000 only, non-fire rated)

Strike

For 5/8" stop, plus shim for 1/2 stop

Latch Bolts

3/4" throw, stainless steel

Dead Latch Bolts

5/8" stainless steel

Mounting

Furnished standard with sheet metal and machine screws

Door Thickness

1-3/4" standard

Backset

2-3/4" standard

Handing

Non-handed

Projection

2-1/2" maximum projection, 1-7/8" when depressed

Operation

Exit by slight pressure on any point on the push bar at all time

Trims

Compatible with E7000, E5000 & E8000 series trims

CODE COMPLIANCE

- ANSI A156.3, Grade 1
- UL listed for Panic and UL10C, UBC 7-2-1997 Codes
- UL 3-Hour Fire Rated (EF7000 only)

FINISH AVAILABILITY

- Stainless Steel (SS, 630)
- Aluminum (Painted, AL, 689)
- Dark Bronze (Painted, DB, 695)

HOW TO ORDER

EF 7000 / EO3 - SS

Finish

SS - Stainless Steel
AL - Aluminum
DB - Dark Bronze

Function

EO3 - 3' Rim Type
EO4 - 4' Rim Type

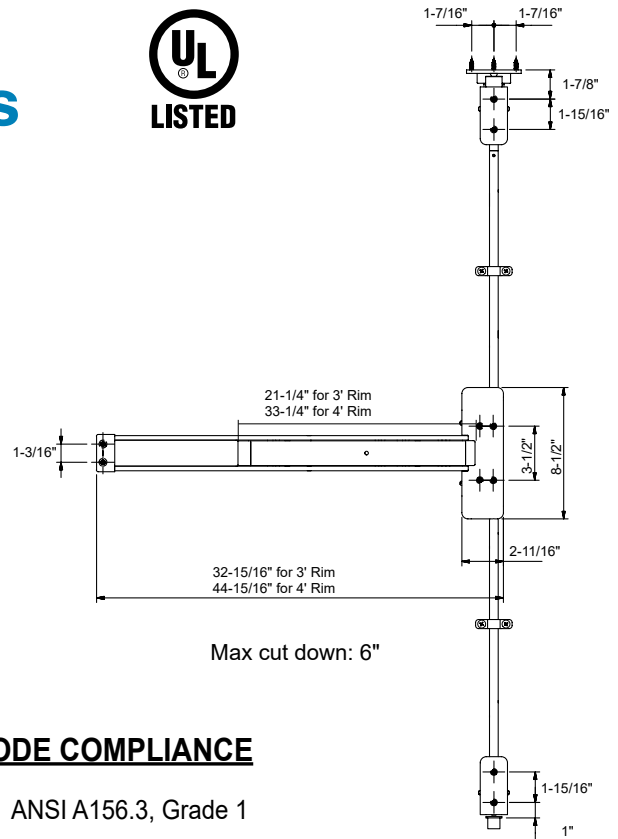
Series

7000 Series

Fire Rating

E - Non-Fire Rated
EF - 3-HR Fire Rated

E7000V & EF7000V Vertical Rod Exit Devices



FEATURES & OPTIONS

Door Height

For all doors up to 7'0" or 8'0" high

Door Width

For all doors up to 36" or 48" wide

Stile

4-1/4" minimum

Material

The chassis is made of aluminum or stainless steel.
The cover is made of zinc or stainless steel.

Dogging

1/4" turn, hex key dogging (E7000 only, non-fire rated)

Strike

Top Strike: for 1/2" stop, plus shim

Top Latch

Latchbolt: 5/8" throw, stainless steel
Deadbolt: 1/2" throw, steel bolt

Bottom Latch

Latchbolt: 1/4" bolt, stainless steel

Mounting

Furnished standard with sheet metal and machine screws

Door Thickness

1-3/4" standard

Backset

2-3/4" standard

Handing

Non-handed

Projection

2-1/2" maximum projection, 1-7/8" when depressed

Operation

Exit by slight pressure on any point on the push bar at all time

Trims

Compatible with E7000, E5000 & E8000 series trims

FINISH AVAILABILITY

- Stainless Steel (SS, 630)
- Aluminum (Painted, AL, 689)
- Dark Bronze (Painted, DB, 695)

CODE COMPLIANCE

- ANSI A156.3, Grade 1
- UL listed for Panic and UL10C, UBC 7-2-1997 Codes
- UL 3-Hour Fire Rated (EF7000V only)

HOW TO ORDER

EF 7000V / EO3X7 - SS

Finish

SS - Stainless Steel
AL - Aluminum
DB - Dark Bronze

Function

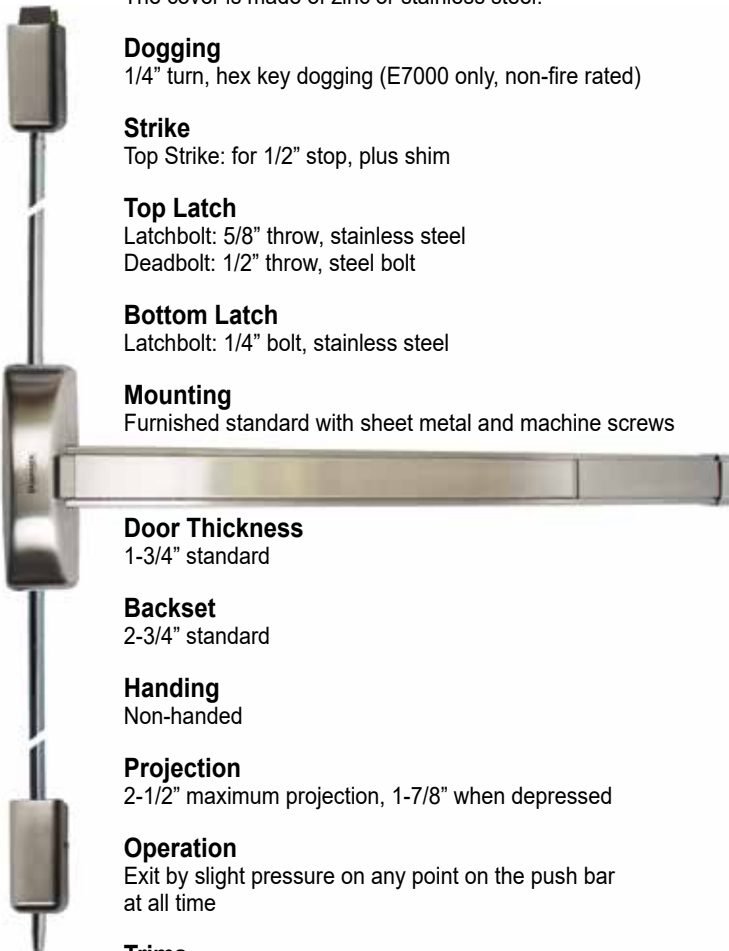
EO3X7 - 3' x 7' Vertical Rod
EO3X8 - 3' x 8' Vertical Rod
EO4X8 - 4' x 8' Vertical Rod

Series

7000V Series

Fire Rating

E - Non-Fire Rated
EF - 3-HR Fire Rated



EF7000V/LBR Less-Bottom-Rod Exit Devices

FEATURES & OPTIONS

Door Height

For all doors up to 7'0" or 8'0" high

Door Width

For all doors up to 36" or 48" wide

Stile

4-1/4" minimum

Material

The chassis is made of aluminum or stainless steel. The cover is made of zinc or stainless steel.

Dogging

1/4" turn, hex key dogging (E7000 only, non-fire rated)

Strike (Top Only)

Top Strike: for 1/2" stop, plus shim

Top Latch

Latchbolt: 5/8" throw, stainless steel
Deadbolt: 1/2" throw, steel bolt

Auxiliary Fire Latch

Auxiliary spring loaded latchbolt releases when exposed to fire to keep the door closed and regulated.

Mounting

Furnished standard with sheet metal and machine screws

Door Thickness

1-3/4" standard

Backset

2-3/4" standard

Handing

Non-handed

Projection

2-1/2" maximum projection, 1-7/8" when depressed

Operation

Exit by slight pressure on any point on the push bar at all time

Trims

Compatible with E7000, E5000 & E8000 series trims

FINISH AVAILABILITY

- Stainless Steel (SS, 630)
- Aluminum (Painted, AL, 689)
- Dark Bronze (Painted, DB, 695)

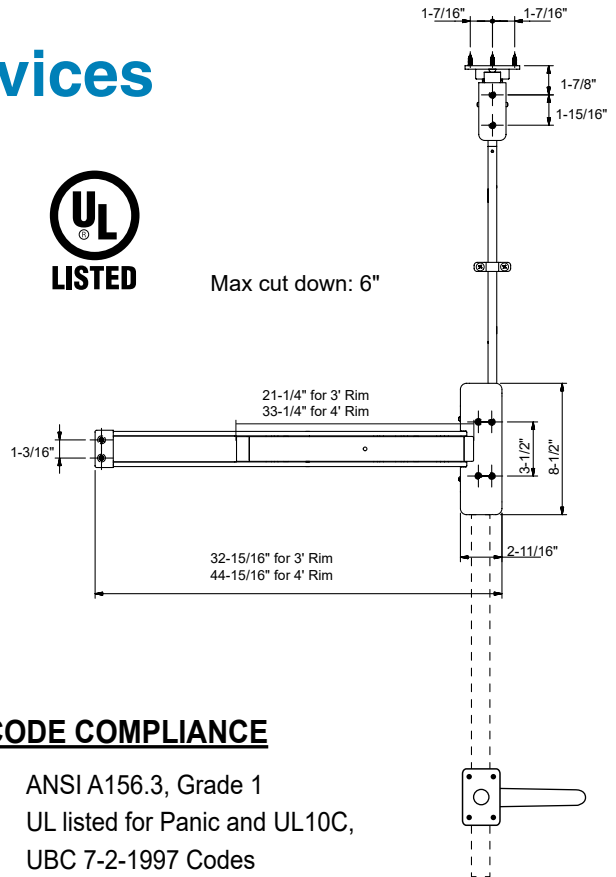


ADA



LISTED

Max cut down: 6"



CODE COMPLIANCE

- ANSI A156.3, Grade 1
- UL listed for Panic and UL10C, UBC 7-2-1997 Codes
- UL 3-Hour Fire Rated (EF7000V only)

HOW TO ORDER

EF 7000V / LBR37 - SS

Finish

- SS - Stainless Steel
- AL - Aluminum
- DB - Dark Bronze

Function

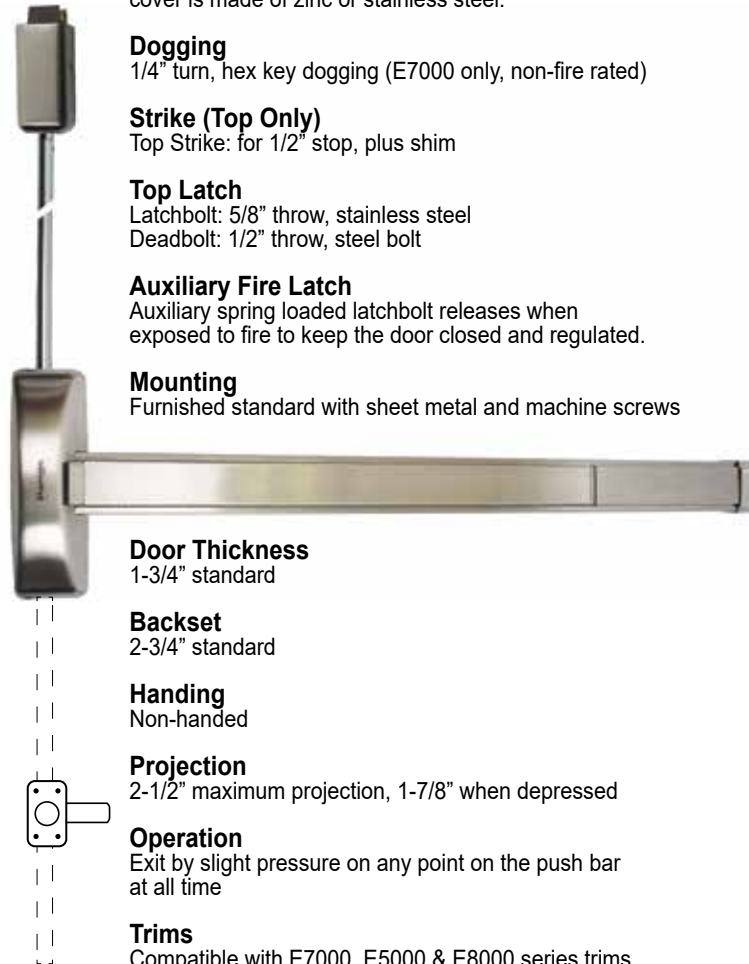
- LBR37 - 3' x 7' Less Btm Rod
- LBR38 - 3' x 8' Less Btm Rod
- LBR48 - 4' x 8' Less Btm Rod

Series

7000V Series

Fire Rating

- E - Non-Fire Rated
- EF - 3-HR Fire Rated



E8000 Trims

	Model #	Function	Door Thickness	Crossbore	Keyway	Finish
Knob	E8000/K	Entry	1-3/8" to 1-3/4" std	2-1/8"	6-pin SC 5-pin SC 5-pin KW SFIC	Aluminum Dark Bronze Matte Black Polished Brass
	E8000/KD	I/C Entry				
Lever	E8000/L	Entry				
	E8000/LS	Storeroom				
	E8000/LPA	Passage				
	E8000/LD	I/C Entry				
	E8000/LSD	I/C Storeroom				
	E8000/LF	Entry				
	E8000/LFS	Storeroom				
	E8000/LFPA	Passage				
	E8000/LFD	I/C Entry				
	E8000/LFSD	I/C Storeroom				
Pull & Rim	E8000/NLS	Single pull		---	1-5/16"	---
Cylinder	E8000/NL	Double pull	---	1-9/16"	---	
Plate	E8000/DT	Pull Plate	---	---	---	
	E8000/EOP	Cover Plate	---	---	---	

* Compatible with E7000, E5000 & E8000 Series Exit Devices



Knob Entry



Lever Entry



Lever Entry



Rim Cylinder
Single Pull



Rim Cylinder
Double Pull



Pull Plate



Cover Plate

E5000 Trims

	Model #	Function	Door Thickness	Crossbore	Keyway	Finish
Heavy-Duty Lever	E5000/L	Entry	1-3/4" to 2" std	Special Prep. See Template	6-pin SC 5-pin SC 5-pin KW SFIC	Aluminum Dark Bronze Matte Black
	E5000/LS	Storeroom				
	E5000/LPA	Passage				
	E5000/D	Dummy				
	E5000/LD	I/C Entry				
	E5000/LSD	I/C Storeroom				
	E5000/LF	Entry				Aluminum Matte Black
	E5000/LFS	Storeroom				
	E5000/LFPA	Passage				
	E5000/DF	Dummy				
	E5000/LFD	I/C Entry				
	E5000/LFSD	I/C Storeroom				

* Compatible with E7000 & E5000 Series Exit Devices



Entry/
Storeroom



Passage/
Dummy



Entry/
Storeroom



Passage/
Dummy

E7000 Trims

	Model #	Function	Door Thickness	Crossbore	Keyway	Finish
Thumb Piece	E7000/L	Entry	1-3/4" to 2-1/4" std	Special Prep. See Template	6-pin SC 5-pin SC 5-pin KW SFIC	Aluminum Dark Bronze
	E7000/LS	Storeroom				
	E7000/PA	Passage				
	E7000/D	Dummy				
	E7000/LD	I/C Entry				
	E7000/LSD	I/C Storeroom				

* Compatible with E7000 & E5000 Series Exit Devices



Entry



Storeroom



Passage



Dummy

Accessories

				 <p>(Sold per pair)</p>
				

Rim Type, Vertical Rod and Less-Bottom-Rod Exit Devices

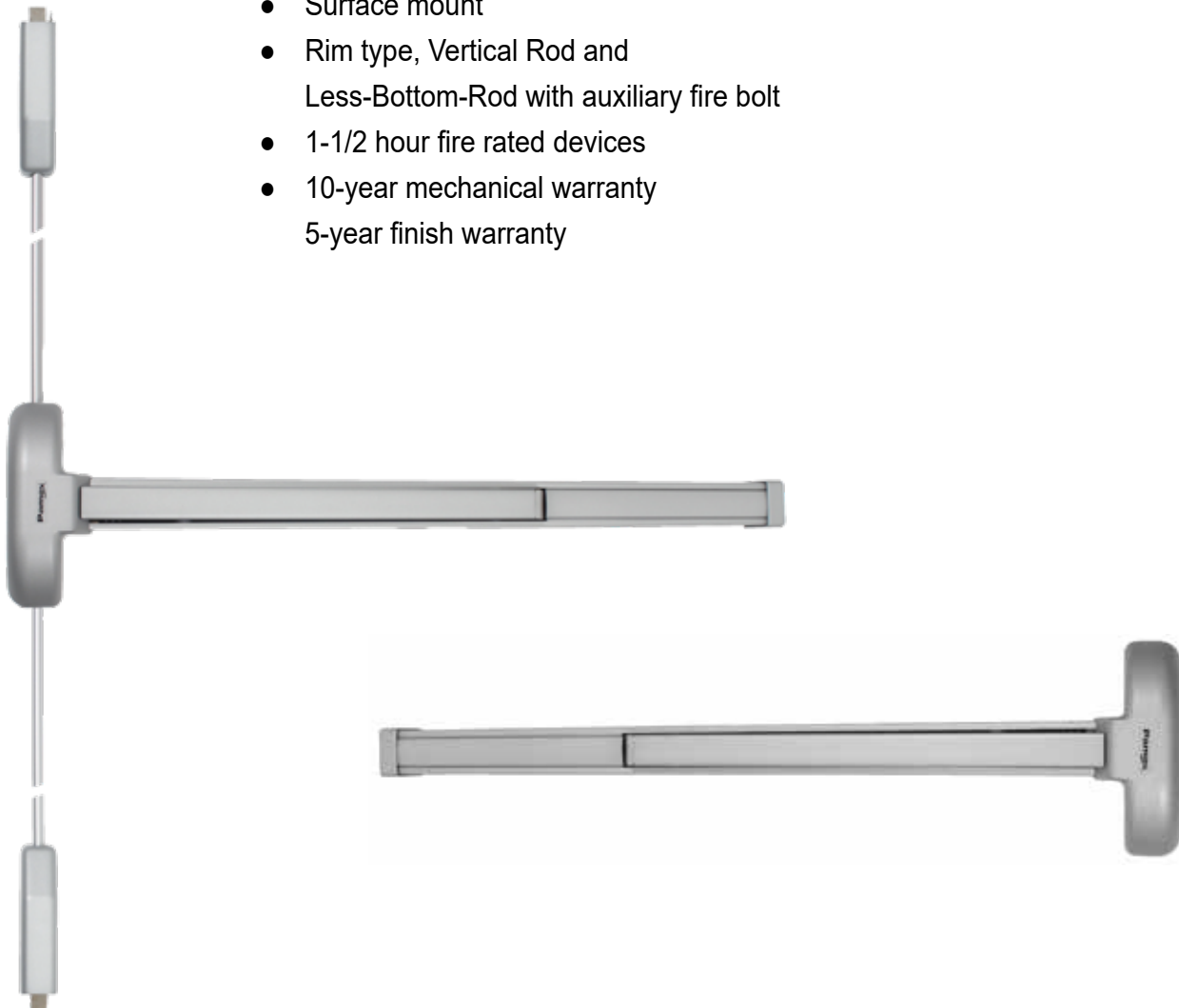
- ANSI A156.3, Grade 2
- UL listed for panic and UL 10C, UBC 7-2-1997 codes
- Heavy-duty exit devices
- Surface mount
- Rim type, Vertical Rod and Less-Bottom-Rod with auxiliary fire bolt
- 1-1/2 hour fire rated devices
- 10-year mechanical warranty
5-year finish warranty



ADA



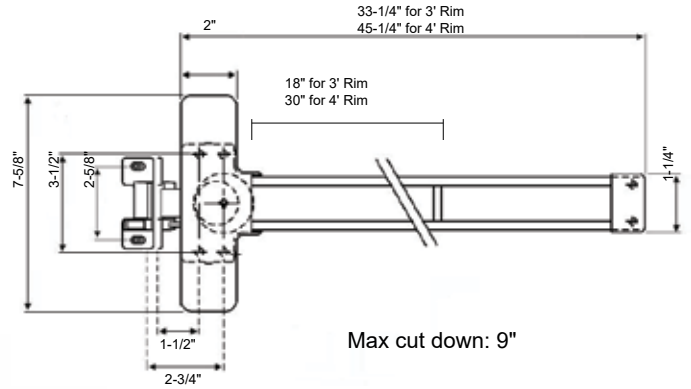
LISTED



CROSS REFERENCES

PAMEX	Von Duprin	Falcon	Dorma	PDQ	Yale	Sargent	Hager
E5000	22	19	8000	6200	2100	30	4700
	S. Parker	Corbin Russwin	Arrow	Design HD	Copper Creek	Stanley	Cal-Royal
	525	ED8000	S1150/1250	2000	---	5000	2200

E5000 & EF5000 Rim Type Exit Devices



ADA



LISTED

FEATURES & OPTIONS

Door Width

For all doors up to 36"

Stile

4-1/4" minimum

Material

The chassis is made of aluminum or stainless steel.
The cover is made of zinc or stainless steel.

Dogging

1/4" turn, hex key dogging (E5000 only, non-fire rated)

Strike

For 5/8" stop, plus shim for 1/2" stop

Latch Bolts

3/4" throw, stainless steel

Dead Latch Bolts

5/8" stainless steel

Mounting

Furnished standard with sheet metal and machine screws

Door Thickness

1-3/4" standard

Backset

2-3/4" standard

Handing

Non-handed

Projection

2-1/2" maximum projection, 1-7/8" when depressed

Operation

Exit by slight pressure on any point on the push bar at all time

Trims

Compatible with E7000, E5000 & E8000 series trims

CODE COMPLIANCE

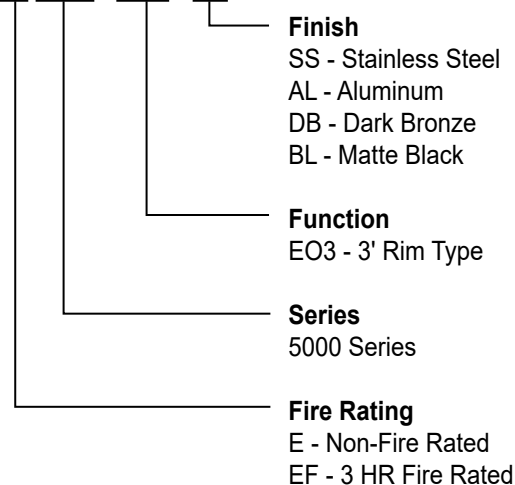
- ANSI A156.3, Grade 2
- UL listed for Panic and UL10C, UBC 7-2-1997 Codes
- UL 1-1/2 Hour Fire Rated (EF5000 only)

FINISH AVAILABILITY

- Stainless Steel (SS, 630)
- Aluminum (Painted, AL, 689)
- Dark Bronze (Painted, DB, 695)
- Matte Black (Painted, BL, 622)

HOW TO ORDER

EF 5000 / EO3 - SS



Finish

- SS - Stainless Steel
- AL - Aluminum
- DB - Dark Bronze
- BL - Matte Black

Function

- EO3 - 3' Rim Type

Series

- 5000 Series

Fire Rating

- E - Non-Fire Rated
- EF - 3 HR Fire Rated

E5000V & EF5000V Vertical Rod Exit Devices

FEATURES & OPTIONS

Door Height

For all doors up to 7'0" high

Door Width

For all doors up to 36" wide

Stile

4-1/4" minimum

Material

The chassis is made of aluminum or stainless steel.
The cover is made of zinc or stainless steel.

Dogging

1/4" turn, hex key dogging (E5000V only, non-fire rated)

Strike (Top & Bottom)

Top Strike: for 1/2" stop, plus shim

Top Latch

Latchbolt: 3/4" throw, stainless steel
Deadbolt: 1/2" throw, steel bolt

Bottom Latch

Latchbolt: 3/4" throw, stainless steel

Mounting

Furnished standard with sheet metal and machine screws

Door Thickness

1-3/4" standard

Backset

2-3/4" standard

Handing

Non-handed

Projection

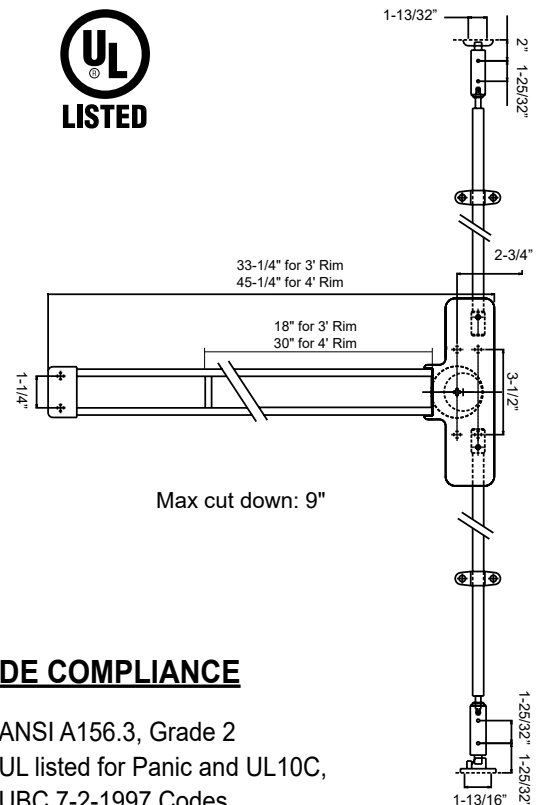
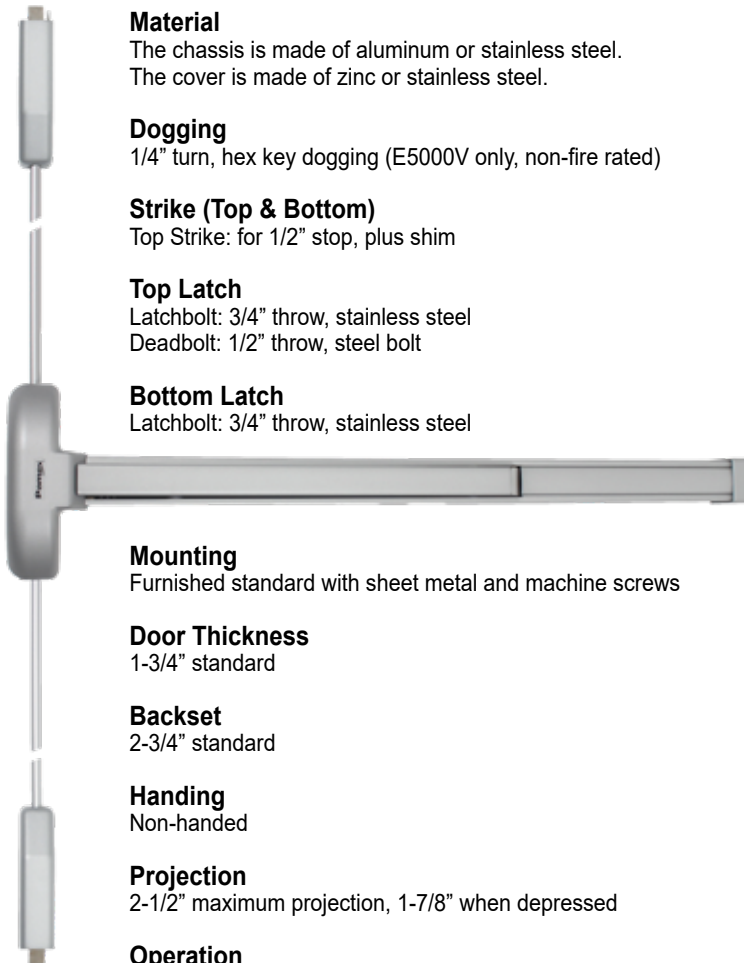
2-1/2" maximum projection, 1-7/8" when depressed

Operation

Exit by slight pressure on any point on the push bar at all time

Trims

Compatible with E7000, E5000 & E8000 series trims



CODE COMPLIANCE

- ANSI A156.3, Grade 2
- UL listed for Panic and UL10C, UBC 7-2-1997 Codes
- UL 1-1/2 Hour Fire Rated (EF5000V only)

FINISH AVAILABILITY

- Stainless Steel (SS, 630)
- Aluminum (Painted, AL, 689)
- Dark Bronze (Painted, DB, 695)
- Matte Black (Painted, BL, 622)

HOW TO ORDER

EF 5000V / EO3X7 - SS

Finish

SS - Stainless Steel
AL - Aluminum
DB - Dark Bronze
BL - Matte Black

Function

EO3X7 - 3' x 7' Vertical Rod

Series

7000V Series

Fire Rating

E - Non-Fire Rated
EF - 3 HR Fire Rated

EF5000V/LBR Less-Bottom-Rod Exit Devices



ADA



LISTED

FEATURES & OPTIONS

Door Height

For all doors up to 7'0" high

Door Width

For all doors up to 36" wide

Stile

4-1/4" minimum

Material

The chassis is made of aluminum or stainless steel. The cover is made of zinc or stainless steel.

Dogging

1/4" turn, hex key dogging (E5000 only, non-fire rated)

Strike (Top Only)

Top Strike: for 1/2" stop, plus shim

Top Latch

Latchbolt: 3/4" throw, stainless steel
Deadbolt: 1/2" throw, steel bolt

Auxiliary Fire Latch

Auxiliary spring loaded latchbolt releases when exposed to fire to keep the door closed and regulated

Mounting

Furnished standard with sheet metal and machine screws

Door Thickness

1-3/4" standard

Backset

2-3/4" standard

Handing

Non-handed

Projection

2-1/2" maximum projection, 1-7/8" when depressed

Operation

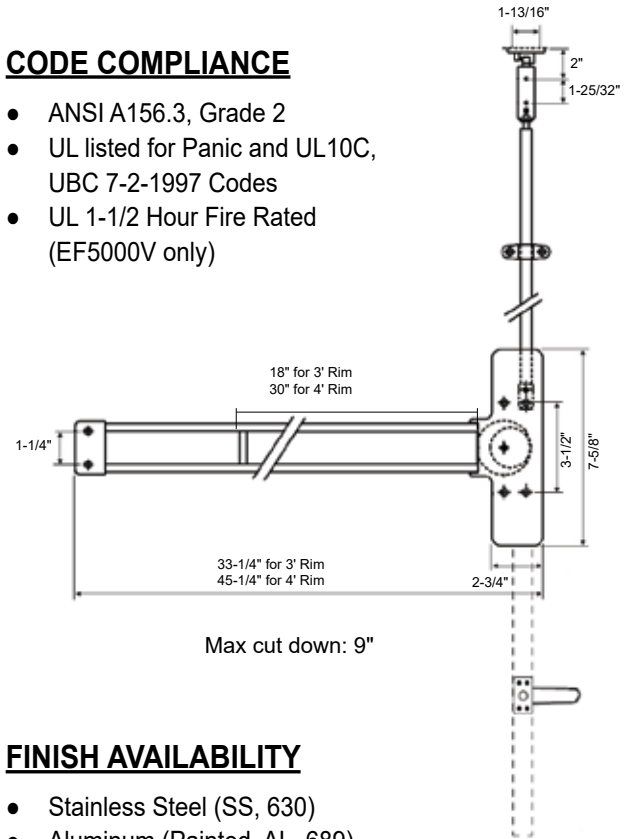
Exit by slight pressure on any point on the push bar at all time

Trims

Compatible with E7000, E5000 & E8000 series trims

CODE COMPLIANCE

- ANSI A156.3, Grade 2
- UL listed for Panic and UL10C, UBC 7-2-1997 Codes
- UL 1-1/2 Hour Fire Rated (EF5000V only)



FINISH AVAILABILITY

- Stainless Steel (SS, 630)
- Aluminum (Painted, AL, 689)
- Dark Bronze (Painted, DB, 695)
- Matte Black (Painted, BL, 622)

HOW TO ORDER

EF 5000V / LBR37 - SS

Finish

- SS - Stainless Steel
- AL - Aluminum
- DB - Dark Bronze
- BL - Matte Black

Function

LBR37 - 3' x 7' Less Btm Rod

Series

5000V Series

Fire Rating

- E - Non-Fire Rated
- EF - 3 HR Fire Rated

E8000 Trims

	Model #	Function	Door Thickness	Crossbore	Keyway	Finish
Knob	E8000/K	Entry	1-3/8" to 1-3/4" std	2-1/8"	6-pin SC 5-pin SC 5-pin KW SFIC	Aluminum Dark Bronze Matte Black Polished Brass
	E8000/KD	I/C Entry				
Lever	E8000/L	Entry				
	E8000/LS	Storeroom				
	E8000/LPA	Passage				
	E8000/LD	I/C Entry				
	E8000/LSD	I/C Storeroom				
	E8000/LF	Entry				
	E8000/LFS	Storeroom				
	E8000/LFPA	Passage				
	E8000/LFD	I/C Entry				
	E8000/LFSD	I/C Storeroom				
Pull & Rim	E8000/NLS	Single pull				
Cylinder	E8000/NL	Double pull				
Plate	E8000/DT	Pull Plate	---	---	---	Aluminum Dark Bronze Gold Brass
	E8000/EOP	Cover Plate	---	---	---	

* Compatible with E7000, E5000 & E8000 Series Exit Devices



Knob Entry



Lever Entry



Lever Entry



Rim Cylinder
Single Pull



Rim Cylinder
Double Pull



Pull Plate



Cover Plate

E5000 Trims

	Model #	Function	Door Thickness	Crossbore	Keyway	Finish
Heavy-Duty Lever	E5000/L	Entry	1-3/4" to 2" std	Special Prep. See Template	6-pin SC 5-pin SC 5-pin KW SFIC	Aluminum Dark Bronze Matte Black
	E5000/LS	Storeroom				
	E5000/LPA	Passage				
	E5000/D	Dummy				
	E5000/LD	I/C Entry				
	E5000/LSD	I/C Storeroom				
	E5000/LF	Entry				
	E5000/LFS	Storeroom				
	E5000/LFPA	Passage				
	E5000/DF	Dummy				
	E5000/LFD	I/C Entry				
	E5000/LFSD	I/C Storeroom				

* Compatible with E7000 & E5000 Series Exit Devices



Entry/
Storeroom



Passage/
Dummy



Entry/
Storeroom



Passage/
Dummy

E7000 Trims

	Model #	Function	Door Thickness	Crossbore	Keyway	Finish
Thumb Piece	E7000/L	Entry	1-3/4" to 2-1/4" std	Special Prep. See Template	6-pin SC 5-pin SC 5-pin KW SFIC	Aluminum Dark Bronze
	E7000/LS	Storeroom				
	E7000/PA	Passage				
	E7000/D	Dummy				
	E7000/LD	I/C Entry				
	E7000/LSD	I/C Storeroom				

* Compatible with E7000 & E5000 Series Exit Devices



Entry



Storeroom



Passage



Dummy

Accessories

				 (Sold per pair)
				
				

Rim Type, Vertical Rod and Vertical Rod Exit Devices

- ANSI A156.3, Grade 2
- UL listed for panic and UL 10C, UBC 7-2-1997 codes
- Standard duty exit devices
- Surface mount
- Rim type and vertical rod
- 1-1/2 hour fire rated devices
- 10-year mechanical warranty
5-year finish warranty



ADA



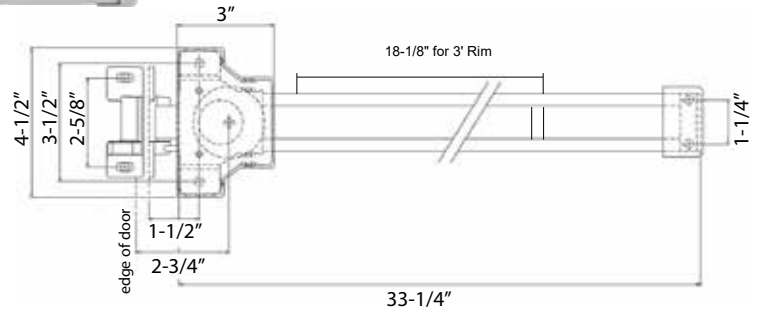
LISTED



CROSS REFERENCES

PAMEX	Von Duprin	Falcon	Dorma	PDQ	Yale	Sargent	Hager
E8000	---	---	---	---	---	20	---
	S. Parker	Corbin Russwin	Arrow	Design HD	Copper Creek	Stanley	Cal-Royal
	520	---	S1150/1250	---	---	5000	---

E8000 & EF8000 Rim Type Exit Devices



FEATURES & OPTIONS

Door Width

For all doors up to 36"

Stile

4-1/4" minimum

Material

The chassis is made of aluminum and the cover is made of zinc

Dogging

1/4" turn, hex key dogging (E8000 only, non-fire rated)

Strike

For 5/8" stop, plus shim for 1/2" stop

Latch Bolts

3/4" throw, stainless steel

Dead Latch Bolts

5/8" stainless steel

Mounting

Furnished standard with sheet metal and machine screws

Door Thickness

1-3/4" standard

Backset

2-3/4" standard

Handing

Non-handed

Projection

2-1/2" maximum projection, 1-7/8" when depressed

Operation

Exit by slight pressure on any point on the push bar at all time

Trims

Compatible with E8000 series trims

CODE COMPLIANCE

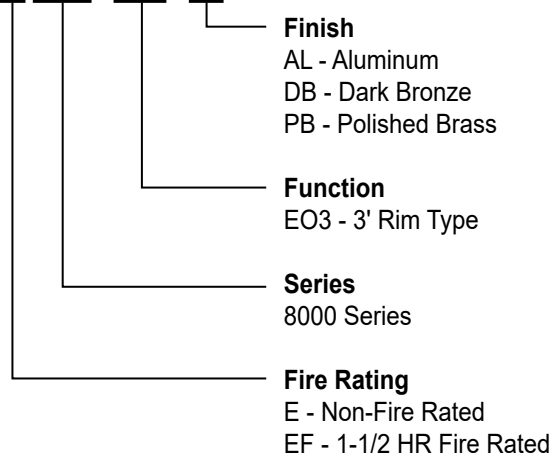
- ANSI A156.3, Grade 2
- UL listed for Panic and UL10C, UBC 7-2-1997 Codes
- UL 1-1/2 Hour Fire Rated (EF8000 only)

FINISH AVAILABILITY

- Aluminum (AL, 689)
- Dark Bronze (DB, 695)
- Polished Brass (PB, 605)

HOW TO ORDER

EF 8000 / EO3 - AL



E8000V & EF8000V Vertical Rod Exit Devices



FEATURES & OPTIONS

Door Height

For all doors up to 7'0" high

Door Width

For all doors up to 36" wide

Stile

4-1/4" minimum

Material

The chassis is made of aluminum and the cover is made of zinc

Dogging

1/4" turn, hex key dogging (E8000V only, non-fire rated)

Strike (Top & Bottom)

Top Strike: for 1/2" stop, plus shim

Top Latch

Latchbolt: 3/4" throw, stainless steel

Deadbolt: 1/2" throw, steel bolt

Bottom Latch

Latchbolt: 3/4" throw, stainless steel

Mounting

Furnished standard with sheet metal and machine screws

Door Thickness

1-3/4" standard

Backset

2-3/4" standard

Handing

Non-handed

Projection

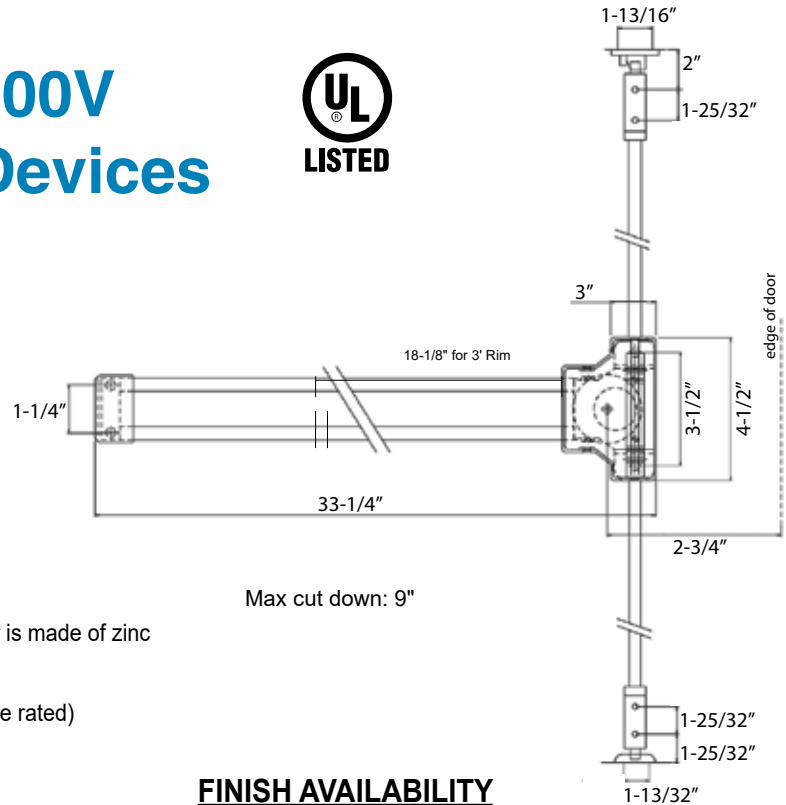
2-1/2" maximum projection, 1-7/8" when depressed

Operation

Exit by slight pressure on any point on the push bar at all time

Trims

Compatible with E8000 series trims



FINISH AVAILABILITY

- Aluminum (AL, 689)
- Dark Bronze (DB, 695)
- Polished Brass (PB, 605)

CODE COMPLIANCE

- ANSI A156.3, Grade 2
- UL listed for Panic and UL10C, UBC 7-2-1997 Codes
- UL 1-1/2 Hour Fire Rated (EF8000V only)

HOW TO ORDER

EF 8000V / EO3X7 - AL

Finish

AL - Aluminum
DB - Dark Bronze
PB - Polished Brass

Function

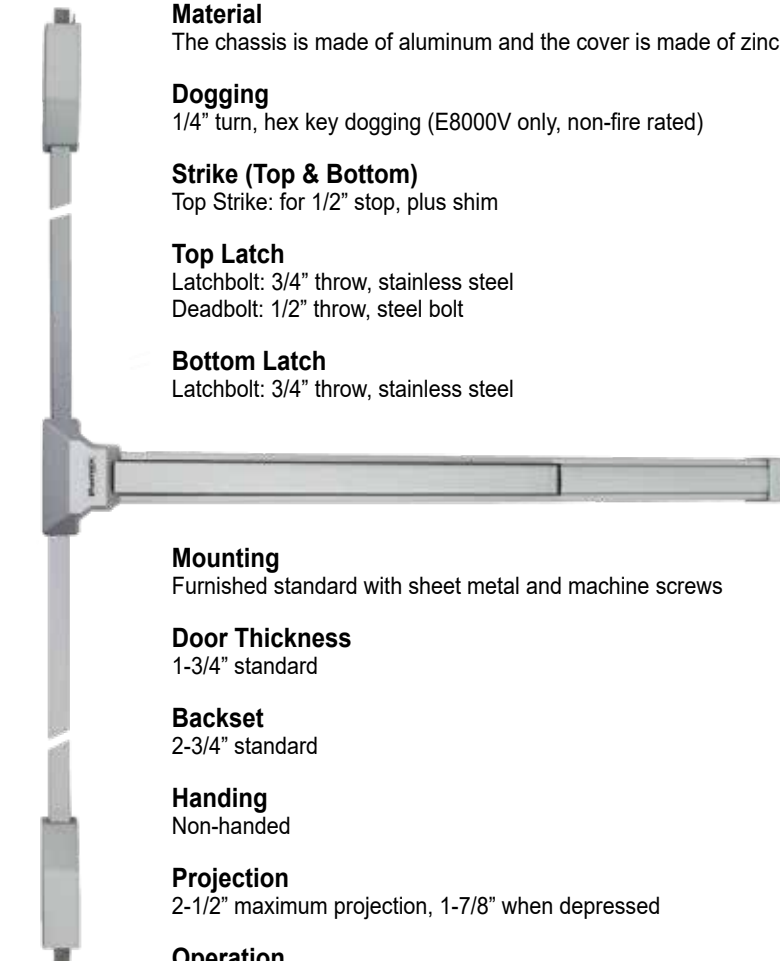
EO3X7 - 3' x 7' Vertical Rod

Series

8000V Series

Fire Rating

E - Non-Fire Rated
EF - 1-1/2 HR Fire Rated



E8000 Trims

	Model #	Function	Door Thickness	Crossbore	Keyway	Finish
Knob	E8000/K	Entry	1-3/8" to 1-3/4" std	2-1/8"	6-pin SC 5-pin SC 5-pin KW SFIC	Aluminum Dark Bronze Matte Black Polished Brass
	E8000/KD	I/C Entry				
Lever	E8000/L	Entry				
	E8000/LS	Storeroom				
	E8000/LPA	Passage				
	E8000/LD	I/C Entry				
	E8000/LSD	I/C Storeroom				
	E8000/LF	Entry				
	E8000/LFS	Storeroom				
	E8000/LFPA	Passage				
	E8000/LFD	I/C Entry				
	E8000/LFSD	I/C Storeroom				
Pull & Rim	E8000/NLS	Single pull	1-5/16"		Aluminum Dark Bronze Gold Brass	
Cylinder	E8000/NL	Double pull	1-9/16"			
Plate	E8000/DT	Pull Plate	---	---	---	Aluminum Dark Bronze Gold Brass
	E8000/EOP	Cover Plate	---	---	---	

* Compatible with E7000, E5000 & E8000 Series Exit Devices



Knob Entry



Lever Entry



Lever Entry



Rim Cylinder
Single Pull



Rim Cylinder
Double Pull



Pull Plate



Cover Plate

Accessories

Shim Kit	Sex Nuts	Extension Kit	Door Coordinator	Mounting Bracket
				 (Sold per pair)
Carry Bar	Gravity Coordinator	Overlapping Strike	Auxiliary Fire Bolt	
				

FEATURES & OPTIONS

Mullion Tube

2" wide x 3" deep, with wall thickness of 1/8", 11 gauge steel tube

Mullion Size

7' or 8', may be field cut to fit proper size

Top Bracket

Base Size: 3-1/2" wide x 3-1/8" deep, steel

Bottom Bracket

Base Size: 3-1/2" wide x 3" deep, steel

Rim Cylinder

6-pin SC "C" keyway solid brass cylinder standard

Also available in:

5-pin KW keyway

6 & 7-pin small format I/C core, Best A2 keyway

Shims

1/2" and 5/8" shims included

Strikes

Non-Fire Rated: Standard Rim Strikes, not included

Fire Rated: Mullion Strikes & Strike Hooks, sold separately

Fasteners

2 Flat Head Machine Screws, #5/16"-18 x 1-1/2", plated steel

4 Flat Head Machine Screws, #5/16"-18 x 5/8", plated steel

4 Flat Head Machine Screws, #5/16"-18 x 1-1/4", plated steel

4 Expansion Anchors, 5/8" dia. X 7/8" long, nonferrous alloy

CODE COMPLIANCE

- UL 10C Positive Pressure Rated
- UL 10B Negative Pressure Rated
- UL Listed for up to 3 hours with Fire Rated Removable Mullion

FINISH AVAILABILITY

- Gray baked powder coating only



HOW TO ORDER

EF 9000 / KR M7

Size

M7 - 7'

M8 - 8'

Type

KR - Keyed Removable

R - Non-keyed Removable

Fire Rating

E - Non-Fire Rated

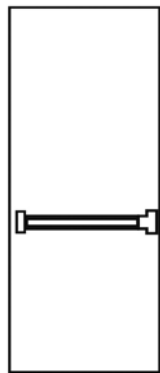
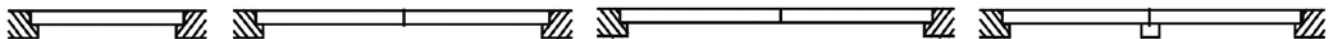
EF - 3-HR Fire Rated



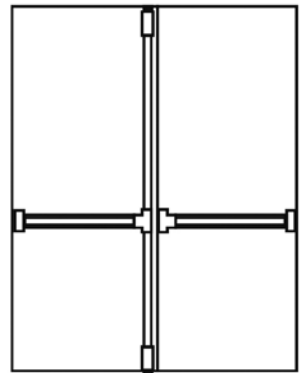
Keyed Removable Bracket



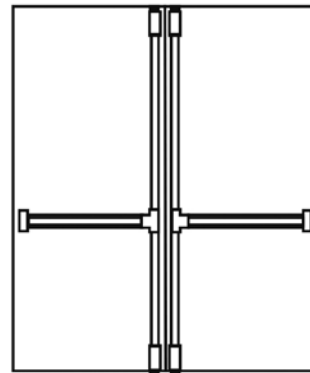
Non-Keyed Removable Bracket



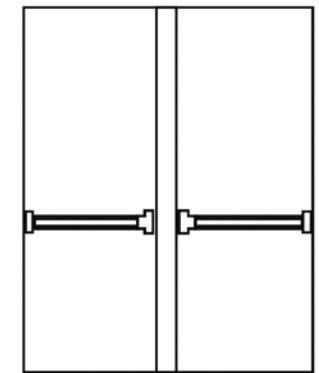
Single door with Rim Device



Pair of doors with Rim Device & Vertical Device (No Mullion)



Pair of doors with Two Vertical Device (No Mullion)



Pair of doors with Rim Device & Mullion

ENKORE Smart

Multi-Family Access Control System



Access Control Made Simple

Designed for multi-family residential projects, Enkore is a Wi-Fi-connected access control system that's easy to implement, intuitive to use, and offers convenient smart phone app access.



EKS-D71A
Automatic Deadbolt



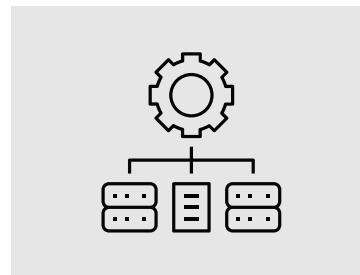
EKS-LNP5C
Leverset



EKS-WR1N
Wall Reader



Key Fob
EK-KFC/DFKC Construction
EK-KFM/DKFM Master
EK-KFS/DKFS Staff
EK-KFU/DKFU Unit



EK-PACKAGE
System Package
EK-SETUP
Software Setup & Site Design
EK-TRAIN
On-Site Training

MECHANICAL

Door Prep.

Cross Bore: 2-1/8", Edge Bore: 1-1/8"

Latch Backset

Adjustable UL standard
(other options available)

Faceplate

1-1/8" x 2-1/4" square corner

Bolt

Deadbolt: 1" throw
Lever: 1/2" throw

Door Thickness

Fits 1-3/8" to 1-3/4" standard

Cylinder

6-pin SC keyway standard
Also available in 5-pin KW and SC keyway

Strike Plate

Deadbolt: 2-3/4" x 1-1/8" square corner strike
Lever: 2-3/4" x 1-1/8" square corner T-strike
(other options available)

Handing

Non-Handed

ELECTRICAL

Technologies

2.4 GHz Wi-Fi (IEEE 802.11b/g/n)
Bluetooth 5.1

Frequency

13.56MHz RFID

Read Range

1.5 cm (ISO Card); MIFARE DESFire

Batteries (not included)

4 AA Batteries (average 1 year)

Operating Temperature

-30 to 120F

Event Log

3,000 events

CODE COMPLIANCE

- ANSI/BHMA Grade 2 certified
- ANSI 117.1 for ADA
- UL10C and S104
 - 90 minutes for EKS-D
 - 20 minutes for EKS-L



ADA



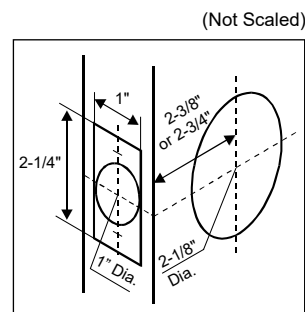
LISTED

WARRANTY

- Lifetime mechanical warranty
- One year electrical warranty
- Five years finish warranty

FINISH AVAILABILITY

Pamex Code	P	9
US Code	15	19
BHMA code	619	622
EKS-D	•	•
EKS-L	•	
EKS-WR		•



Door Preparation for
Deadbolt and Leverset

Konetik

Multi-family Access Control System



Enhanced Security

Set parameters and access rights for each lockset and keyfob. Gain better visibility throughout the property with the detailed event log.

Easy Maintenance

Cut time & resources spent on rekeying locks. Easily manage access with the Konetik software and tablet.

White Glove Support

From key schedules to site design, to installation and even training of property managers, Pamex will be there to support you every step of the way.



KT-IN_35
KONETIK
Interconnected Lock



KT-LN_5C
KONETIK Leverset



KT-D7_1
KONETIK Deadbolt



KT-WR_
KONETIK Wall Reader



Key Fob / Dual Key Fob

- KT-KFC/DFKC** Construction
- KT-KFM/DKFM** Master
- KT-KFS/DKFS** Staff
- KT-KFU/DKFU** Unit
- KT-KFV/DKFV** Vendor



KT-PACKAGE
System Package

KT-TRAIN
On-Site Training

MECHANICAL

Door Prep.

Cross Bore: 2-1/8", Edge Bore: 1-1/8"
Center-To-Center: 5-1/2"

Latch Backset

Adjustable UL standard
(other options available)

Faceplate

1-1/8" x 2-1/4" square corner

Bolt

Deadbolt: 1" throw
Lever: 1/2" throw

Door Thickness

Fits 1-3/8" to 1-3/4" standard

Cylinder

6-pin SC keyway standard
Also available in 5-pin KW and SC keyway

Strike Plate

Deadbolt: 2-3/4" x 1-1/8" square corner strike
Lever: 2-3/4" x 1-1/8" square corner T-strike
(other options available)

Handing

Non-Handed

ELECTRICAL

Technologies

Bluetooth

Frequency

13.56MHz RFID

Read Range

1 cm (ISO Card); MIFARE: S70 EV1

Batteries (not included)

4 AA Batteries (average 1 year)

Operating Temperature

-30 to 120F

Event Log

6,000 events

CODE COMPLIANCE

- ANSI/BHMA Grade 2 certified
- ANSI 117.1 for ADA
- UL10C and S104
 - 90 minutes for KT-I and KT-D
 - 20 minutes for KT-L



ADA



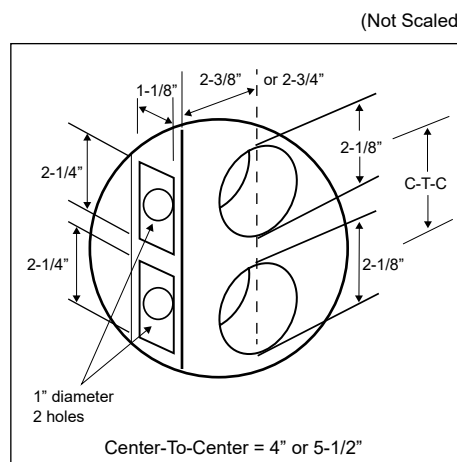
LISTED

WARRANTY

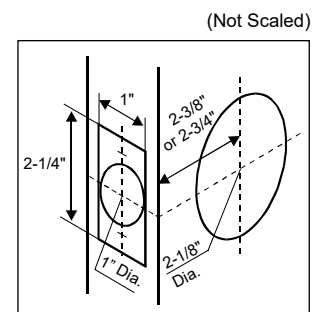
- Lifetime mechanical warranty
- One year electrical warranty
- Five years finish warranty

FINISH AVAILABILITY

Pamex Code	P	9
US Code	15	19
BHMA code	619	622
KT-I	•	•
KT-D	•	•
KT-L	•	
KT-WR	•	



Door Preparation
for Interconnected Lock



Door Preparation for
Deadbolt and Lever set



KAPTURE

SMART HOME SECURITY DOOR LOCK



Secure and Convenient

A smart lock designed with the homeowner in mind.

- Locks with a single tap
- Easy to install
- Assign unique access codes
- Control access times and code expiration
- Track access history
- Excellent for rentals
- Hidden mechanical key access



KP1-D791
Kapture Smart Deadbolt



KP1-D7P1
Kapture Smart Deadbolt



KP1-LINK
Kapture Link Wi-Fi Bridge

FEATURES & OPTIONS

Door Prep.

Cross Bore: 2-1/8", Edge Bore: 1"

Latch Backset

Adjustable UL deadbolt standard

Faceplate

1"x 2-1/4" round corner standard

Bolt

1" throw

Door Thickness

Fits 1-3/8" to 1-3/4" standard

Cylinder

5-pin KW keyway solid brass cylinder standard
5 or 6-pin SC "C" keyway available

Strike Plate

2-3/4" x 1-1/8" square corner standard
with reinforced plate and 3" wooden screws

Batteries (included)

4 AA

Kapture Link

Pair with Kapture Wi-Fi Bridge to enable control and receive real-time notifications from anywhere with an internet connection

FEATURES

- Three methods of access: smartphone, keypad, and mechanical key
- Compatible with smart home systems, Amazon, Alexa and Google Home
- Easy installation using standard door prep with no additional drilling required
- Configurable volume control

HOW TO ORDER

KP1-D7 9 1

Function

1 - Single Cylinder

Finish

P - Satin Nickel
9 - Matte Black

Series

KP1-D7 - Kapture Smart Deadbolt

CODE COMPLIANCE

- Meets ANSI/BHMA A156.5 Series 400 Grade 2
- Meets ADA Requirements

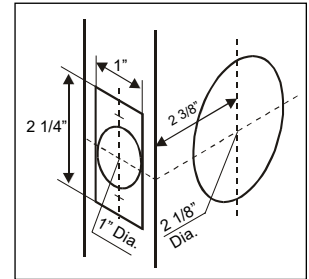


ADA



LISTED

(Not Scaled)

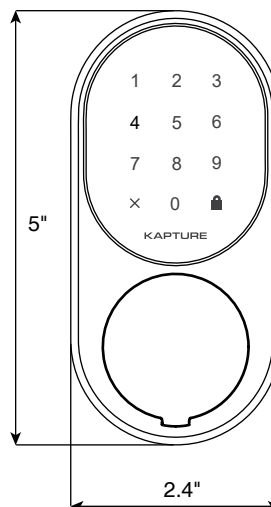


Door Preparation

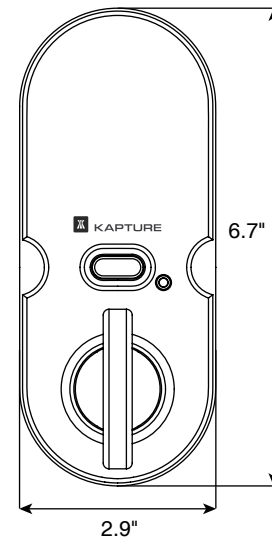
FINISH AVAILABILITY

Pamex Code	P	9
US Code	15	19
BHMA code	619	622
Kapture - KP	•	•

Outside Door



Inside Door



100 Series (for Tubular & Cylindrical Lock)

FEATURES & OPTIONS

Voltage	Dual Voltage 300/150 mA @ 12/24 VDC
Static Strength	1500 lbs
Dynamic Strength	70 ft-lbs
Latch Status	SPDT, 3 Amp @ 30 VDC
Function	Fail-Secure, reversible for Fail-Safe operation
Material	All stainless steel parts
Latch Bolt	For latch throw up to 5/8" with 1/8" door gap
Faceplate	1-1/4" x 4-7/8" square corner
Dimension	1-1/8"W x 4-7/8"H x 1-1/2"D
Code Compliance	ANSI A156.31, Grade 2

200 Series (for Tubular & Cylindrical Lock)

FEATURES & OPTIONS

Voltage	Dual Voltage 280/140 mA @ 12/24 VDC
Static Strength	1500 lbs
Dynamic Strength	70 ft-lbs
Latch Status	SPDT, 3 Amp @ 30 VDC
Function	Fail-Secure, reversible for Fail-Safe operation
Material	All stainless steel parts
Latch Bolt	For latch throw up to 3/4" with 1/8" door gap
Faceplate	1-1/4" x 4-7/8" square corner
Dimension	1-1/8"W x 4-7/8"H x 1-1/2"D
Code Compliance	ANSI A156.31, Grade 2, UL Listed UL 10C, 3 hour fire-rated (fail-secure only)

400 Series (for Rim Type Exit Device)

FEATURES & OPTIONS

Voltage	0.51 Amp @ 12 VDC or 0.25 Amp @ 24 VDC
Static Strength	1500 lbs
Dynamic Strength	70 ft-lbs
Function	Fail-Secure, also available in Fail-Safe
Material	All stainless steel heavy duty construction
Latch Bolt	For latch throw up to 3/4" with 1/8" door gap
Dimension	1-3/4"W x 9"H x 1-3/4"D
Code Compliance	ANSI A156.31, Grade 1 UL 10C, 3 hour fire-rated (fail-secure only) UL 1034, Burglary-resistant rated

WARRANTY

- 1-year electronic warranty
- 5-year finish warranty

FINISH AVAILABILITY

Pamex Code	SS	OB
US Code	26D	10B
BHMA code	626	613
100 Series	•	
200 Series	•	•
400 Series	•	

HOW TO ORDER

ES - S 4 24 SS

Finish
SS - Stainless Steel
OB - Oil Rubbed Bronze

Voltage
00 - Dual 12/24V
12 - 12 Volt
24 - 24 Volt

Series
1 - 100 Series
2 - 200 Series
4 - 400 Series

Function
empty - Fail-Secure
S - Fail-Secure
F - Fail-Safe

Product
ES - Electric Strike



ES-100



ES-200



ES-400



FEATURES & OPTIONS

Voltage

Dual voltage AC or DC inputs of 12/24V or 24/120V

Holding Force

12/24V - 30 lbs of holding force
 24/120V - 24V with 40 lbs of holding force
 120V with 35 lbs of holding force

*Performance value can be increased to 75 or 110 lbs on special application

Power Consumption

Low power consumption of 40mA

Mounting

- Recess Mount
- Surface Mount

Material

Zinc Alloy

Extension Rod

Extension rod available in 1/2", 1", 1-1/2", 2", 3", 4", 5", 1-1/2" adjustable and 4" adjustable

CODE COMPLIANCE

- UL Listed
- Meets ANSI/BHMA A156.15

WARRANTY

- 1-year electronic warranty
- 5-year finish warranty

FINISH AVAILABILITY

- Aluminum (AL, 689)



HOW TO ORDER

EMH - R 1224 AL

Finish

AL - Aluminum

Voltage

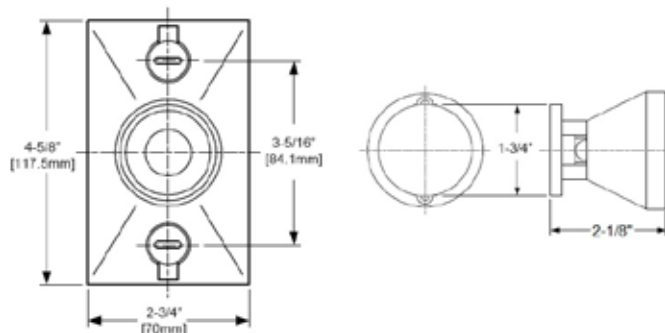
1224 - Dual 12/24V
 24120 - Dual 24/120V

Mounting

R - Recess
 S - Surface

Product

EMH - Magnetic Door Holder



Power Transfer Hinge

FEATURES & OPTIONS

- 1 Amp @ 12/24V per pair
- 4-1/2" x 4-1/2", 2-Ball bearing, Standard weight
- 4-1/2' cable standard
- Steel material with steel barrel
- UL 10B Listed for 3 hour fire rated doors
- Model: EPT-H4 for 4 conductors hinge, 28 Ga.
EPT-H10 for 10 conductors hinge, 30 Ga.



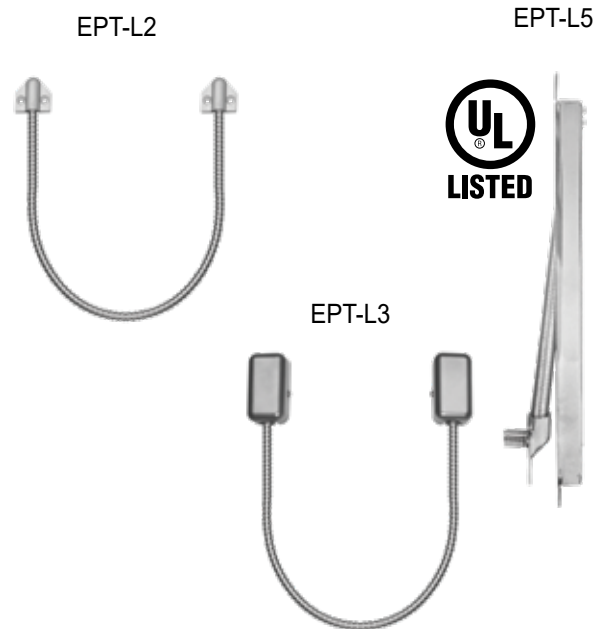
FINISH AVAILABILITY

- Oil Rubbed Bronze (US10B/640)
- Bright Chrome (US26/651)
- Satin Chrome (US26D/652)

Power Transfer Loop

FEATURES & OPTIONS (Loop)

- 18" stainless steel armored flex conduit
- Model: EPT-L2 for plastic end cap
EPT-L3 for aluminum termination box



FEATURES & OPTIONS (Concealed Mortise Loop)

- Frame mortised steel dust box with flexible steel loop
- Dimension: 11.5"H x 1"W x 0.75"D
- UL10B Listed for 3 hour fire rated doors
- Model: EPT-L5

FINISH AVAILABILITY

- Stainless Steel (US32D/630)

Power Transfer Heavy-Duty Mortise

FEATURES & OPTIONS

- Power control input for electric locks and exit devices, locked latched mantrap forced entry, open status signal wiring
- Mortise door and frame installation, completely concealed when the door is closed
- All metal design, weather and tamper resistance when door is open or closed
- Dimension: 9"H x 1-1/4"W x 1-5/8"D
- UL10C Listed for 3 hour fire rated doors
- Model: EPT-M2 for two 18 Ga. wires, 5 Amp @12/24V AC/DC
EPT-M10 for ten 24 Ga. wires, 1 Amp @12/24V AC/DC



FINISH AVAILABILITY

- Aluminum (AL, 689)
- Dark Bronze (DB, 695)

EPS-1 1 Amp Power Supply Unit

SPECIFICATIONS

- Input: 115VAC 60Hz, 0.6 Amp
- Output: Filtered and electronically regulated
1 Amp @ 12/24VDC (field selectable)
- Battery Charger: 150mA @ 12VDC
- Power Supply Board: 4"W x 3"H x 1.625"D
- Enclosure: 7.25"W x 8.375"H x 3.625"D
- UL Listed

FEATURES

- 12VDC or 24VDC field selectable output
- 1 Amp maximum, filtered and regulated output
- Two control inputs: 1 trigger input, normally open (NO) and 1 supervised emergency release input
- When latching emergency release is selected and the switched output is deactivated by emergency release or power loss, power is restored by manual means only.
- Short circuit and thermal overload protection
- Battery charger output
- Automatically switched to battery back-up when AC fails
- Board equipped with AC input, DC output and battery status LED indicator
- Enclosure equipped with AC input, DC output and battery status LED indicator



EPS-2 2 Amp Power Supply Unit

SPECIFICATIONS

- Input: 115VAC @ 800mA, 50/60 Hz, Fused
- Output: Filtered and electronically regulated
2 Amp @ 12/24VDC (field selectable)
- Battery Charger: 250mA @ 13.5 or 27VDC
- Enclosure: 12"W x 12"H x 4"D
- UL Listed

FEATURES

- 12VDC or 24VDC field selectable output
- The output filtering stabilizes the DC output voltage and eliminates AC line noise. The solid state regulator maintains the selected output voltage at 12VDC or 24VDC regardless of the output load changes, including battery charging.
- A separate PTC protected, battery charger output provides 13.5VDC or 27VDC
- A signal input from the fire life safety system turns off the secondary output, releasing all fail-safe locks. When not used for emergency release, this input may be used as main on-off control.
- Batteries are disconnected from the output circuit prior to deep discharge, preventing battery destruction.
- While the charging output is 13.5VDC or 27VDC, the secondary output is unaffected and precisely maintained at the selected 12 or 24VDC. This ensures system components are powered by their specified voltage.
- The secondary output current is maintained at the full 2 Amp capacity and is not de-rated when charging batteries.



EPS-UC1 Universal Controllers

SPECIFICATIONS

- Input: Automatic voltage sensing. 12VDC @ 120mA, 24VDC @ 175mA
- Trigger: Two Form A SPST, N.O. Inputs
 - a) Two N.O. dry inputs for individual relay
 - b) Tandem: Either N.O. dry input triggers both relays
- Output: Two Form C SPDT outputs (N.C. fail-safe, N.O. fail-secure)
 - 10 Amp (resistive), 7 Amp (inductive) @ 30VDC
 - Wet (voltage) and/or Dry output
 - Wet output voltage is same as module input voltage



Heavy-Duty Full Feature Door Closers



ADA



LISTED



- Full feature, heavy-duty cast-iron door closer
- Adjustable spring sizes 1 through 6
- ANSI A156.4, Grade 1, UL listed
- Tri-packed for regular, parallel, or top jamb installation
- Dual valve adjustable closing and latch speed
- Back-check function standard
- Barrier-free meets ADA compliance
- Full plastic cover included
- Optional delayed action
- 25-year mechanical warranty
- Application: flexible heavy-duty door closer designed for institutional and other high traffic applications



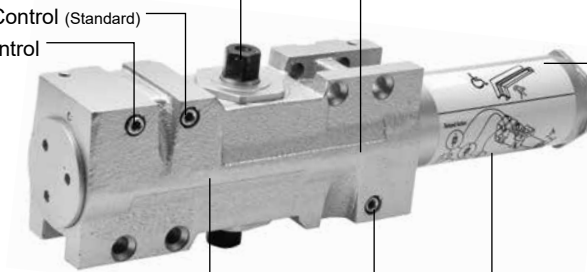
Needle Bearings
For higher efficiency smooth opening

Closing Speed Control (Standard)

Latch Speed Control (Standard)

Heavy-Duty, Cast Iron Body with Rust Inhibitor

Spring Power Adjustment (size 1 thru 6)



Precision Rack and Pinion Construction

Back Check Control (Standard)

Spring High-tensile, oil-tempered steel

Regular Arm



Parallel Arm

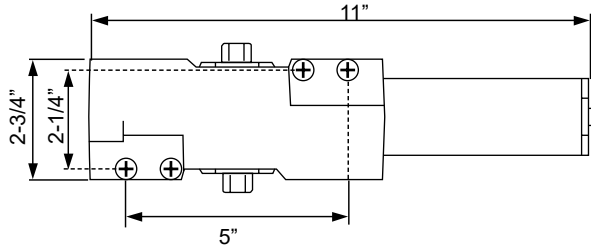


Top Jamb



FEATURES & OPTIONS

- UL listed (UL 10C)
- Universal application and non-handed installation (regular and parallel bracket included)
- Multi-size strength, power adjustable for size 1 through 6 (factory preset size 3)
- Heavy-duty cast iron body with rust inhibitor
- Hardened steel rack and pinion mechanism
- Needle bearings for higher efficiency smooth opening
- Tri-packed for regular, parallel, or top jamb installation
- Adjustable closing and latching speed
- Optional delayed action
- Barrier-free meets ADA compliance
- Door weight range from 44 - 265 lbs



CODE COMPLIANCE

- ANSI A156.4, Grade 1
- UL10C and UBC 7.2 for positive pressure
- Meets ADA barrier-free accessibility

WARRANTY

- 25-year mechanical warranty
- 5-year finish warranty

PACKAGE INCLUDES

- Parallel bracket
- Wood screws and machine screws
- Full plastic cover
- Sex nuts and thru bolts

FINISH AVAILABILITY

- AL - Aluminum (689)
- DB - Dark Bronze (695)
- BL - Matte Black (622)

ACCESSORIES



GSCNSA440
Spring Cush-N-Stop Arm



GCNSA440
Cush-N-Stop Arm



GHCHA440
Handle Control
Hold Open Arm



GMRA440
Regular Arm



GFDB440
Flat Drop Bracket



GFDB442
Flat Drop Bracket
For Parallel Arm



GFC440
Full Plastic Cover



Track Arm



GPB440
Parallel Bracket



GSB590
Sex Nuts



GTB590
Thru Bolts

CROSS REFERENCES

PAMEX	LCN	Norton	Falcon	Dorma	Yale	Sargent	Hager	PHG
GC4400	4040	9500	SC70	8900	4400	281	5100	9000
	Corbin Russwin	Arrow	S. Parker	Design HD	Global	Copper Creek	Taymor	Cal-Royal
	DC6200	DC500	441	416	TC4300	CL8844	4000	CR441

Multi-Size Full Feature Door Closers



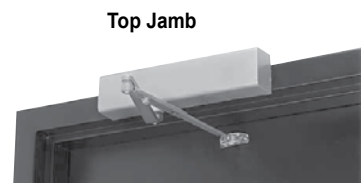
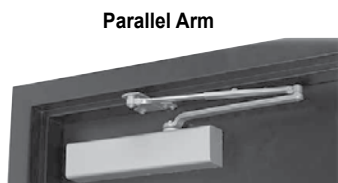
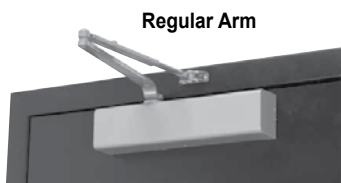
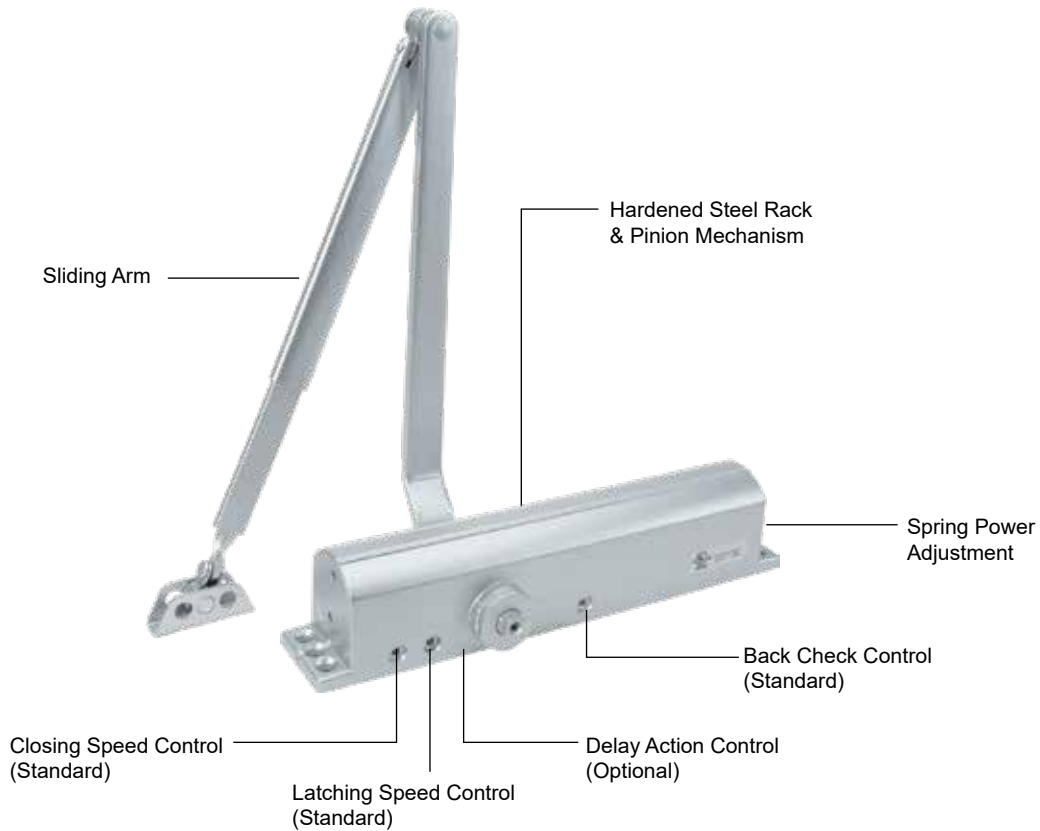
ADA



LISTED



- Full feature door closer
- Adjustable spring sizes 1 through 6
- ANSI A156.4, Grade 1, UL listed
- Tri-packed for regular, parallel, or top jamb installation
- Dual valve adjustable closing and latch speed
- Back-check function standard
- Barrier-free meets ADA compliance
- Full plastic cover included
- Optional delayed action
- 25-year mechanical warranty
- Application: maximum versatility door closer designed for various commercial and institutional applications



FEATURES & OPTIONS

- UL listed (UL 10C)
- Universal application and non-handed installation (regular and parallel bracket included)
- Multi-size strength, power adjustable for size 1 through 6 (factory preset size 3)
- Hardened steel rack and pinion mechanism
- Needle bearings for higher efficiency smooth opening
- Tri-packed for regular, parallel, or top jamb installation
- Adjustable closing and latching speed
- Optional delayed action
- Barrier-free meets ADA compliance
- Door weight range from 44 - 265 lbs

CODE COMPLIANCE

- ANSI A156.4, Grade 1
- UL10C and UBC 7.2 for positive pressure
- Meets ADA barrier-free accessibility

WARRANTY

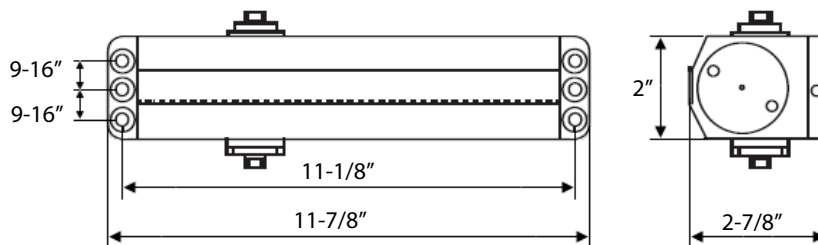
- 25-year mechanical warranty
- 5-year finish warranty

PACKAGE INCLUDES

- Parallel bracket
- Wood screws and machine screws
- Full plastic cover
- Sex nuts and thru bolts

FINISH AVAILABILITY

- AL - Aluminum (689)
- DB - Dark Bronze (695)
- GB - Gold Brass (696)
- BL - Matte Black (622)



ACCESSORIES



GCNSA590
Cush-N-Stop Arm



GHFA590
Hold Open Arm



GMRA590
Regular Arm



Track Arm



GFDB590
Flat Drop Bracket



GFC590
Full Plastic Cover



GPB590
Parallel Bracket



GPBF590
Parallel Bracket for
Hold Open Arm



GSB590
Sex Nuts



GTB590
Thru Bolts

CROSS REFERENCES

PAMEX	LCN	Norton	Falcon	Dorma	Yale	Sargent	Hager	PHG
GC5900	1460	8000	SC80	8600	3501	1431	5200	8000
	Corbin Russwin	Arrow	S. Parker	Design HD	Global	Copper Creek	Taymor	Cal-Royal
	DC3000	500N	900	316	TC400/500	CL8600	1900	CR900

Slim-Line Power-Adjustable Heavy-Duty Closers



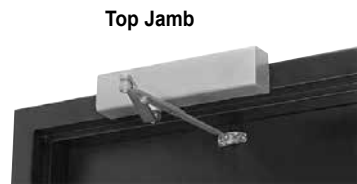
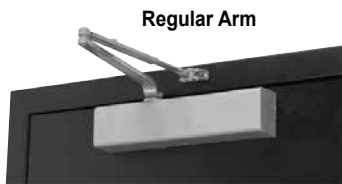
ADA



LISTED

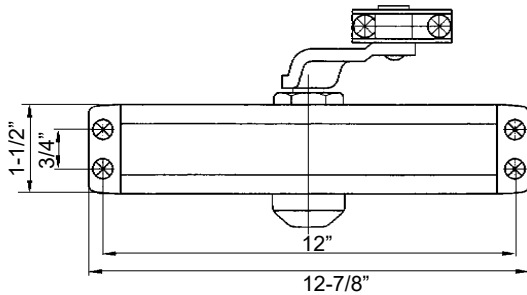


- Slim-line design door closer
- Adjustable spring sizes 1 through 6
- ANSI A156.4, Grade 1, UL listed
- Tri-packed for regular, parallel, or top jamb installation
- Dual valve adjustable closing and latch speed
- Back-check function standard
- Barrier-free meets ADA compliance
- Full plastic cover standard
- Optional delayed action
- 25-year mechanical warranty
- Application: reliable heavy-duty door closer designed for retail storefronts, schools, hospitals, and other high-use applications



FEATURES & OPTIONS

- UL listed (UL 10C)
- Universal application and non-handed installation (regular and parallel bracket included)
- Multi-size strength, power adjustable for size 1 through 6 (factory preset size 3)
- Double heat-treated steel, tempered springs
- Heat-treated steel piston and pinion
- Adjustable back-check standard
- Tri-packed for regular, parallel, or top jamb installation
- Adjustable closing and latching speed
- Optional delayed action
- Barrier-free meets ADA compliance
- Door weight range from 44 - 265 lbs



CODE COMPLIANCE

- ANSI A156.4, Grade 1
- UL10C and UBC 7.2 for positive pressure
- Meets ADA barrier-free accessibility

WARRANTY

- 25-year mechanical warranty
- 5-year finish warranty

PACKAGE INCLUDES

- Parallel bracket
- Wood screws and machine screws
- Full plastic cover
- Sex nuts and thru bolts

FINISH AVAILABILITY

- AL - Aluminum (689)
- DB - Dark Bronze (695)

ACCESSORIES



CROSS REFERENCES

PAMEX	LCN	Norton	Falcon	Dorma	Yale	Sargent	Hager	PHG
GC6800	1460	8300	SC80	8600	3000	---	5200	6000
	Corbin Russwin	Arrow	S. Parker	Design HD	Global	Copper Creek	Taymor	Cal-Royal
	DC3000	5016N	---	316	TC4361	---	---	CR801S

Barrier-Free Power Adjustable Door Closers



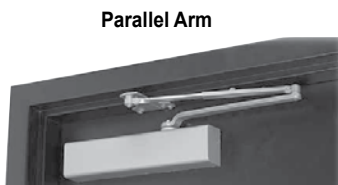
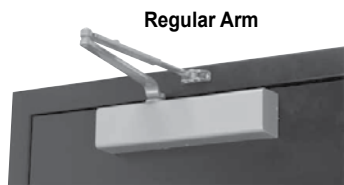
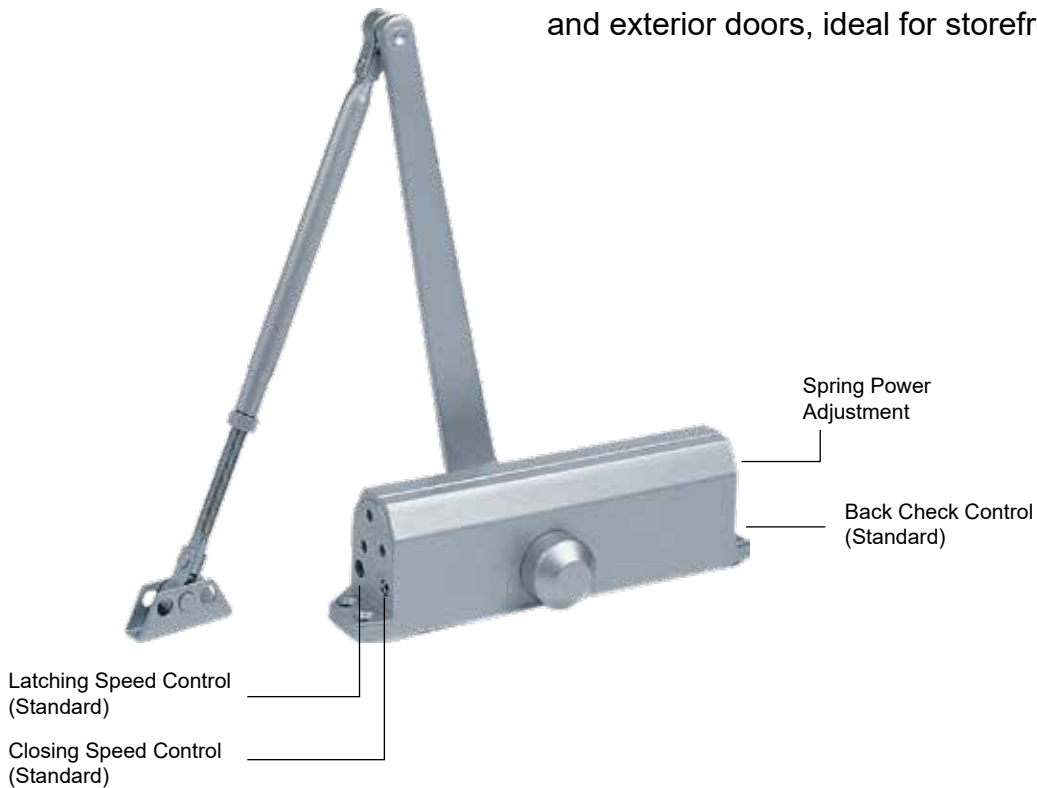
ADA



LISTED

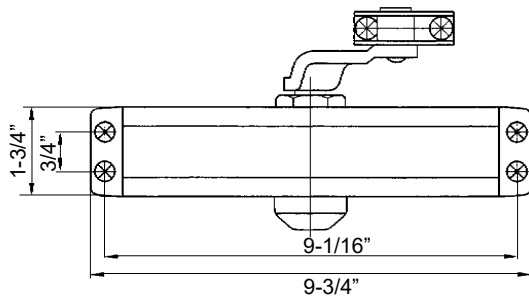


- Multi-size and power-adjustable door closer, sizes 1 through 6, 1 through 4 and 3 through 6
- ANSI A156.4, Grade 1, UL listed
- Tri-packed for regular, parallel or top jamb installation
- Dual valve adjustable closing and latch speed
- Back-check function standard
- Barrier free meets ADA compliance
- Full plastic cover standard
- 25-year mechanical warranty
- Application: surface door closer for interior and exterior doors, ideal for storefronts



FEATURES & OPTIONS

- UL listed (UL 10C)
- Universal application and non-handed installation (regular and parallel bracket included)
- Multi-size strength, power-adjustable
 - GC8700, size 3-6 (factory preset size 3)
 - GC8700BF, size 1-4 (factory preset size 3)
 - GC8716BF, size 1-6 (factory preset size 3)
- Hardened steel rack and pinion mechanism
- Adjustable back check standard
- Tri-packed for regular, parallel, or top jamb installation
- Adjustable closing and latching speed
- Barrier-free meets ADA compliance
- Door weight ranges
 - 88 - 265 lbs for GC8700
 - 44 - 187 lbs for GC8700BF
 - 44 - 265 lbs for GC8716BF



CODE COMPLIANCE

- ANSI A156.4, Grade 1
- UL10C and UBC 7.2 for positive pressure
- Meets ADA barrier-free accessibility

WARRANTY

- 25-year mechanical warranty
- 5-year finish warranty

PACKAGE INCLUDES

- Parallel bracket
- Wood screws and machine screws
- Full plastic cover
- Sex nuts and thru bolts

FINISH AVAILABILITY

- AL - Aluminum (689)
- DB - Dark Bronze (695)
- GB - Gold Brass (696)
- BL - Matte Black (622)

ACCESSORIES



GMRA870
Regular Arm



GFDB870
Flat Drop Bracket



GPB870
Parallel Bracket



GSB590
Sex Nuts



GHFA870
Hold Open Arm



GFC870
Full Plastic Cover



GPBF870
Parallel Bracket for
Hold Open Arm



GTB590
Thru Bolts

CROSS REFERENCES

PAMEX	LCN	Norton	Falcon	Dorma	Yale	Sargent	Hager	PHG
GC8700	1260	1600	SC60	7400	51	---	5300	6000
	Corbin Russwin	Arrow	S. Parker	Design HD	Global	Copper Creek	Taymor	Cal-Royal
	DC4600	900N	950	116	TC200	CL8400	---	CR300

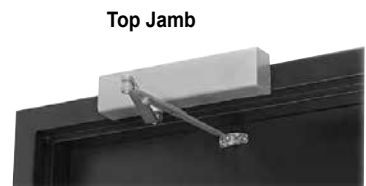
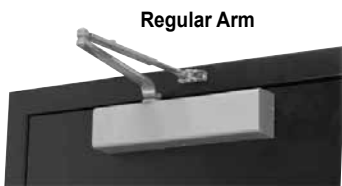
Standard-Sized Door Closers

- Standard-sized door closer, size 2, 3 and 4.
- ANSI A156.4, Grade 2, UL listed
- Tri-packed for regular, parallel, or top jamb installation
- Dual valve adjustable closing and latch speed
- 10-year mechanical warranty
- Application: most economical door closer designed for light-duty, interior application



Latching Speed Control
(Standard)

Closing Speed Control
(Standard)



FEATURES & OPTIONS

- UL listed (UL 10C)
- Universal application and non-handed installation
- Constructed with precise aluminum die-cast body with steel arm
- A heat-treated steel rack and pinion immersed in high-grade oil, operates a nest of coils to give a smooth, precise action and minimum wear
- Stable hydraulic fluid for any climate and long-lasting lubrication
- Tri-packed for regular, parallel, or top jamb installation
- Adjustable closing and latching speed

CODE COMPLIANCE

- ANSI A156.4, Grade 2
- UL10C and UBC 7.2 for positive pressure

WARRANTY

- 10-year mechanical warranty
- 5-year finish warranty

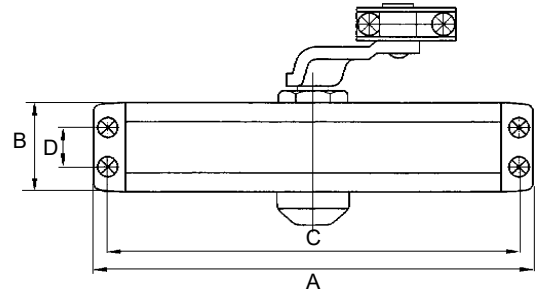
PACKAGE INCLUDED

- Parallel bracket
- Wood screws and machine screws

FINISH AVAILABILITY

- AL - Aluminum (689)
- DB - Dark Bronze (695)
- GB - Gold Brass (696)

Description		GC802	GC803	GC804
Fits to door size		2	3	4
Door Weight Range (lbs)		45-100	88-143	132-187
A	Length of door closer body	7-3/8"	8-13/16"	9-7/8"
B	Height of door closer body	1-3/4"	1-3/4"	1-7/8"
C	Horizontal mounting holes	6-5/8"	8-1/8"	9-1/16"
D	Vertical mounting holes	3/4"	3/4"	3/4"
E	Projection from door	2-5/8"	2-7/8"	3"



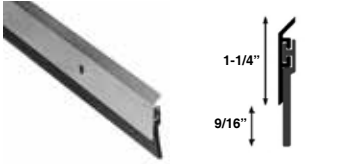


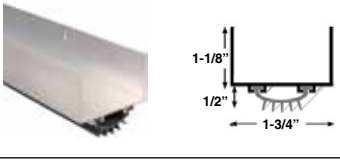
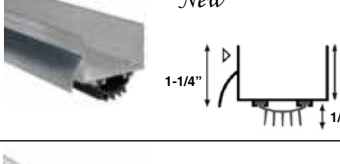
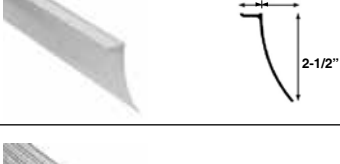
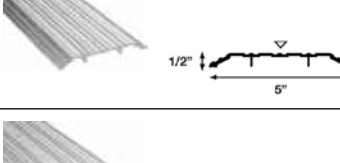
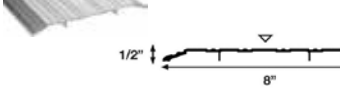


ACCESSORIES



CROSS REFERENCES

PAMEX	LCN	Norton	Falcon	Dorma	Yale	Sargent	Hager	PHG
GC800	1050	1700	SC90	600	50	---	5400	2000~4000
	Corbin Russwin	Arrow	S. Parker	Design HD	Global	Copper Creek	Taymor	Cal-Royal
	---	---	500	73	TC2200	CL8200	500	CR400

Picture	Item	Size / Description	Item #	Finish	
	Smoke Seal	Bulb Shape Smoke Seal width: 1/2" Available sizes: 17', 19', 21', 25'	DD13-SS38__	WH	White
				BR	Brown
	Weatherstrip	Bulb Seal Weatherstrip width: 11/16" Available sizes: 36" x 84", 36" x 94", 48" x 96", 72" x 84"	DD13-WS31__	AL	Aluminum
				BZ	Bronze
	Commercial Door Sweep	Commercial Door Sweep w/ 1/2" Reach Available sizes: 36" x 1-1/4" 48" x 1-1/4"	DD13-DS36__	AL	Aluminum
				BZ	Bronze
	Door Sweep	Door Sweep 36" Brush w/ Drip 36" x 1-5/8"	DD13-DS8236	AL	Aluminum
				BZ	Bronze
	Door Sweep	Door Sweep 36" Brush w/ 1" Reach 36" x 1-7/8"	DD13-DS6236	AL	Aluminum
				BZ	Bronze
	Door Bottom	Door Bottom U Wrap 36" x 1-3/4"	DD13-DB6936	AL	Aluminum
				BZ	Bronze
	Door Bottom	Door Bottom U Wrap w/ Drip 36" x 1-3/4"	DD13-DB5836	AL	Aluminum
				BZ	Bronze
	Door Drip Cap	Door Drip Cap w/ 2-1/2" Overhead Available Sizes: 40" and 76"	DD13-DC25_AL	AL	Aluminum
	5" ADA Threshold	ADA Saddle Threshold 5" x 1/2" Available Sizes: 36", 48", 72"	DD13-TH125_AL	AL	Aluminum
	8" ADA Threshold	ADA Saddle Threshold 8" x 1/2" Available Sizes: 36" and 72"	DD13-TH128_AL	AL	Aluminum

Picture	Item	Description	Size	Item #	Finish	
	Medium-Duty Surface Overhead Door Stop	S = Stop Only H = Hold Open F = Friction	30 = 30" to 36" 36 = 36" to 48"	DD08-13	SS	US32D
					BL	US19
	Heavy-Duty Surface Overhead Door Stop	S = Stop Only H = Hold Open F = Friction	30 = 30" to 36" 36 = 36" to 48"	DD08-14	SS	US32D
	Medium-Duty Concealed Overhead Door Stop	S = Stop Only H = Hold Open F = Friction	30 = 30" to 36" 36 = 36" to 48"	DD08-15	SS	US32D
	Heavy-Duty Concealed Overhead Door Stop	S = Stop Only H = Hold Open F = Friction	30 = 30" to 36" 36 = 36" to 48"	DD08-16	SS	US32D










Picture	Item	Size / Description	Item #	Finish	
	UL Rated Flush Bolt for Metal Door	UL Rated Material: Cast Brass 1-1/2" Adjustable Bolt Head Bolt: 3/4" Backset:3/4" Overall Size: 1" x 6-3/4"	DD05-63	CP	US26
				SN	US15
				SC	US26D
				OB	US10B
				BL	US19
	UL Rated Flush Bolt for Wooden Door	UL Rated Material: Cast Brass Bolt: 3/4" Backset:3/4" Overall Size: 1" x 6-3/4"	DD05-64	CP	US26
				SN	US15
				SC	US26D
				OB	US10B
				BL	US19
	UL Rated Auto Flush Bolt for Metal Door (pair)	UL Rated Conforms and Meets ADA Regulations Material: Cast Brass 1" Vertical Adjustment for Bolts Overall Size: 1" x 6-3/4" (sold per pair only)	DD05-65	CP	US26
				SC	US26D
				OB	US10B
	UL Rated Auto Flush Bolt w/Fire Bolt for Metal Door (set)	UL Rated Conforms and Meets ADA Regulations Material: Cast Brass 1" Vertical Adjustment for Bolts Overall Size: 1" x 6-3/4" (sold per set only)	DD05-65F	CP	US26
				SC	US26D
				OB	US10B
	UL Rated Auto Flush Bolt for Wooden Door (pair)	UL Rated Conforms and Meets ADA Regulations Material: Cast Brass 1" Vertical Adjustment for Bolts Overall Size: 1" x 6-3/4" (sold per pair only)	DD05-66	CP	US26
				SC	US26D
				OB	US10B
	UL Rated Auto Flush Bolt w/Fire Bolt for Wooden Door (set)	UL Rated Conforms and Meets ADA Regulations Material: Cast Brass 1" Vertical Adjustment for Bolts Overall Size: 1" x 6-3/4" (sold per set only)	DD05-66F	CP	US26
				SC	US26D
				OB	US10B

Picture	Item	Size / Description	Item #	Finish	
	UL Rated Constant Flush Bolt for Metal Door (pair)	UL Rated Material: Stainless Steel & Brass 1-1/2" Adjustable Bolt Head Bolt: 3/4" Backset: 3/4" Overall Size: 1" x 6-3/4" (sold per pair only)	DD05-67	CP	US26
				SC	US26D
				OB	US10B
	UL Rated Constant Flush Bolt w/Fire Bolt for Metal Door (set)	UL Rated Material: Stainless Steel & Brass 1-1/2" Adjustable Bolt Head Bolt: 3/4" Backset: 3/4" Overall Size: 1" x 6-3/4" (sold per set only)	DD05-67F	CP	US26
				SC	US26D
				OB	US10B
	UL Rated Constant Flush Bolt for Wood Door (pair)	UL Rated Material: Stainless Steel & Brass Bolt: 3/4" Backset: 3/4" Overall Size: 1" x 6-3/4" (sold per pair only)	DD05-68	CP	US26
				SC	US26D
				OB	US10B
	UL Rated Constant Flush Bolt w/Fire Bolt for Wood Door (set)	UL Rated Material: Stainless Steel & Brass Bolt: 3/4" Backset: 3/4" Overall Size: 1" x 6-3/4" (sold per set only)	DD05-68F	CP	US26
				SC	US26D
				OB	US10B
	Dust Proof Strike for Flush Bolt	Material: Cast Brass Face Plate: 1-3/8" x 2-7/8" Bolt Diameter: 15/16" Bolt Depth: 2-1/8"	DD05-603	CP	US26
				SN	US15
				SC	US26D
				OB	US10B
	Dust Proof Strike (w/o Face Plate) for Flush Bolt	Material: Cast Brass Bolt Diameter: 15/16" Bolt Depth: 2-1/8"	DD05-604	CP	US26
				SN	US15
				SC	US26D
				OB	US10B
				BL	US19





Picture	Item	Size / Description	Item #	Finish	
	Door Saver II Commercial Hinge Pin Stop	Hinge Mount Suitable for Commercial Application Overall Size: 4-3/4" x 1"	DD02-48	CP	US26
				SN	US15
				OB	US10B
				BL	US19
	Roller Bumper	Surface Mount Application Base Diameter: 2" Projection: 4-1/4"	DD02-25	CP	US26
				SN	US15
				OB	US10B
	Concave Wall Stop	Base Diameter: 2-1/2" Projection: 1"	DD02-53	SS	US32D
				CP	US26
				PB	US3
				SN	US15
				OB	US10B
	Convex Wall Stop	Base Diameter: 2-1/2" Projection: 1"	DD02-57	SS	US32D
				CP	US26
				PB	US3
				SN	US15
				OB	US10B
	Dome Stop Low Profile	Base Size: 1-3/4" Dia. 1/8" Thick Projection: 15/16"	DD02-61	CP	US26
				PB	US3
				SN	US15
				OB	US10B
	Dome Stop High Profile	Base Size: 1-3/4" Dia. 3/8" Thick Projection: 1-1/4"	DD02-63	CP	US26
				PB	US3
				SN	US15
				OB	US10B
<i>New</i> 	Universal Dome Stop	Base Size: 1-3/4" Dia. 1/8" Thick Projection: 1-5/8"	DD02-613	CP	US26
				SN	US15
				OB	US10B
				BL	US19

Picture	Item	Size / Description	Item #	Finish	
	4" Kick Down Door Holder	Surface Mount Application Non-Marring Tip Provides Positive Stopping Action Overall Size: 4" x 1-5/8"	DD02-28	CP	US26
				SN	US15
				OB	US10B
	5" Kick Down Door Holder	Surface Mount Application Non-Marring Tip Provides Positive Stopping Action Overall Size: 5" x 1-5/8"	DD02-29	CP	US26
				PB	US3
				SN	US15
				OB	US10B
	Commercial Floor Stop	Surface Mount Application Base Diameter: 2-1/2" Projection: 3"	DD02-71	CP	US26
				SN	US15
				OB	US10B
				BL	US19
	Goose Neck Floor Stop	Surface Mount Application Base: 2-1/4" x 1-7/8" Projection: 2-1/8"	DD02-73	CP	US26
				SN	US15
				OB	US10B
				BL	US19
	Cylindrical Floor Stop	Surface Mount Application	DD02-75	CP	US26
				SN	US15
				OB	US10B
				BL	US19
	Swing Bar Door Guard	Surface Mount Application Base Bearing Stop Guide Overall Size: 4-1/4" x 2-1/4"	DD04-31	CP	US26
				PB	US3
				SN	US15
				OB	US10B
	Bumper Door Guard	Surface Mount Application Rubber Bumper Swing Bar Overall Size: 4-1/2" x 2-1/2"	DD04-33	CP	US26
				PB	US3
				SN	US15
				OB	US10B
	Privacy Door Latch	Surface Mount Application	DD04-36	CP	US26
				SN	US15
				OB	US10B
				BL	US19

Picture	Item	Size / Description	Item #	Finish	
	Heavy Duty Roller Catch with Full-Lip Strike	Adjustable Nylon Roller Square Heavy Duty Cast Strike: 1-11/16" x 2-3/16" x 5/32" Thick Overall Size: 1" x 3-3/8" x 1-9/16" Depth	DD05-51	CP	US26
				PB	US3
				SN	US15
				OB	US10B
				BL	US19
	Heavy Duty Roller Catch with T-Strike	Adjustable Nylon Roller Square Heavy Duty T-Strike: 1-1/8" x 2-3/4" x 1/8" Thick Overall Size: 1" x 3-3/8" x 1-9/16" Depth	DD05-52	CP	US26
				PB	US3
				SN	US15
				OB	US10B
				BL	US19
	Latch Guard Protector for Lever w/ 3-3/4" Rose	Material: Steel for AL & DB, Stainless Steel for US32D Gauge: 12 ga. Overall Size: 2-5/8" x 6"	DD10-10	SS	US32D
				AL	Alum.
				DB	Dark Bronze
	Universal Latch Guard Protector	Material: Steel for AL & DB, Stainless Steel for US32D Gauge: 12 ga. Overall Size: 3" x 11"	DD10-11	SS	US32D
				AL	Alum.
				DB	Dark Bronze
	3-1/2" x 15" Push Plate	Overall Size: 0.05" x 3-1/2" x 15"	DD09-1035	PB	US3
				SN	US15
				OB	US10B
				BL	US19
	3-1/2" x 15" Pull Plate	Projection: 1-3/4" Overall Size: 0.05" x 3-1/2" x 15"	DD09-20135	PB	US3
				SN	US15
				OB	US10B
				BL	US19

Picture	Item	Size / Description	Item #	Finish	
	6" x 30" Anodized Aluminum Kickplate	Material: Aluminum Overall Size: 0.05" x 6" x 30"	DD09-30630	BT	US4
				SN	US15
				OB	US10B
	6" x 34" Anodized Aluminum Kickplate	Material: Aluminum Overall Size: 0.05" x 6" x 34"	DD09-30634	BT	US4
				SN	US15
				OB	US10B
	8" x 34" Anodized Aluminum Kickplate Stainless Steel Kickplate	Material: Aluminum & Stainless Steel for US32D Overall Size: 0.05" x 8" x 34"	DD09-30834	BT	US4
				SN	US15
				OB	US10B
				SS	US32D
				BL	US19
	10" x 34" Anodized Aluminum Kickplate Stainless Steel Kickplate	Material: Aluminum & Stainless Steel for US32D Overall Size: 0.05" x 10" x 34"	DD09-301034	BT	US4
				SN	US15
				OB	US10B
				SS	US32D
				BL	US19
	8" x 34" Anodized Aluminum Kickplate Tape-On Type	Material: Aluminum Type-On Type Recommended for Steel Door Overall Size: 0.05" x 8" x 34"	DD09-31834	BT	US4
				SN	US15
				OB	US10B
	4" x 34" Anodized Aluminum Mop Plate Stainless Steel Mop Plate	Material: Aluminum & Stainless Steel for US32D Overall Size: 0.05" x 4" x 34"	DD09-30434	OB	US10B
				SS	US32D
	36" x 34" Anodized Aluminum Armor Plate Stainless Steel Armor Plate	Material: Aluminum & Stainless Steel for US32D Overall Size: 0.05" x 36" x 34"	*DD09-323634	OB	US10B
				SS	US32D
	Fire Rated 36" x 34" Stainless Steel Armor Plate	Warnock Hersey Fire Rated Material: Stainless Steel Overall Size: 0.05" x 36" x 34" 	*DD09-323634F	SS	US32D

*Verify fastening requirements with door manufacturer.

Picture	Item	Size / Description	Item #	Finish	
	Bent Strap Wheel (Steel Flat Track)	Surface mount for wood doors 6'6"	DD11-1178	BL	US19
		Surface mount for wood doors 8'	DD11-1196	SN	US15
	Single Wheel (Steel Flat Track)	Top mount for wood doors 6'6"	DD11-1378	BL	US19
		Top mount for wood doors 8'	DD11-1396	SN	US15
	Strap Wheel (SS Tube Track)	Surface mount for wood doors 6'6"	DD11-2178	SS	US32D
		Surface mount for wood doors 8'	DD11-2196		
		Surface mount for wood doors 6'6" with soft closing	DD11-21S78		
		Surface mount for wood doors 8' with soft closing	DD11-21S96		
	Single Wheel (SS Tube Track)	Top mount for wood doors 6'6"	DD11-2378	SS	US32D
		Top mount for wood doors 8'	DD11-2396		
		Top mount for wood doors 6'6" with soft closing	DD11-23S78		
		Top mount for wood doors 8' with soft closing	DD11-23S96		







Picture	Item	Size / Description	Item #	Finish	
	160° Viewer	Fits 1/2" hole, Adjustable from 1-3/8" to 2-1/4", Diameter: 5/8"	DD01-160	CP	US26
				PB	US3
				AB	US5
				SN	US15
				OB	US10B
				BL	US19
	180° Viewer	Fits 9/16" hole, Adjustable from 1-3/8" to 2-1/4", Diameter: 1-1/16"	DD01-180	CP	US26
				PB	US3
				AB	US5
		Fits 0.98" to 1.65" Diameter: 1-1/16"	DD01-181	SN	US15
				OB	US10B
				BL	US19
	20 Min. UL Rated 160° Viewer	Fits 1/2" hole, Adjustable from 1-3/8" to 2-1/4", Diameter: 5/8"	DD01-160UL	CP	US26
				PB	US3
				SN	US15
				OB	US10B
				BL	US19
	20 Min. UL Rated 180° Viewer	Fits 9/16" hole, Adjustable from 1-3/8" to 2-1/4", Diameter: 1-1/16"	DD01-180UL	CP	US26
				PB	US3
				SN	US15
		Fits 0.98" to 1.65" Diameter: 1-1/16"	DD01-181UL	OB	US10B
				BL	US19
<i>New</i> 	90 Min. UL Rated 180° Viewer	Fits 9/16" hole, Adjustable from 1-3/8" to 2-1/8", Diameter: 1-1/16"	DD01-1809UL	CP	US26
				SN	US15
				OB	US10B
				BL	US19
	4" High Knocker w/ 160° Viewer	Fits 1/2" hole, Adjustable from 1-3/8" to 1-7/8", Projection: 5/8" Overall size: 1-3/4" x 4"	DD01-K160	CP	US26
				PB	US3
				AB	US5
				SN	US15
				OB	US10B
				BL	US19

Picture	Item	Size / Description	Item #	Finish	
	4" High Knocker w/ 20 Min. UL Rated 160° Viewer	Fits 1/2" hole, Adjustable from 1-3/8" to 1-7/8", Projection: 5/8" Overall size: 1-3/4" x 4"	DD01-K160UL	CP	US26
				PB	US3
				SN	US15
				OB	US10B
				BL	US19
	5-1/2" High Knocker 180° Viewer	Fits 9/16" hole, Adjustable from 1-3/8" to 1-7/8", Projection: 1-1/8" Overall size: 2-1/2" x 5-1/2"	DD01-K180	CP	US26
				PB	US3
				AB	US5
				SN	US15
				OB	US10B
				BL	US19
	5-1/2" High Knocker w/ 20 Min. UL Rated 180° Viewer	Fits 9/16" hole, Adjustable from 1-3/8" to 1-7/8", Projection: 1-1/8" Overall size: 2-1/2" x 5-1/2"	DD01-K180UL	CP	US26
				PB	US3
				SN	US15
				OB	US10B
				BL	US19
<i>New</i> 	5-1/2" High Knocker w/ 90 Min. UL Rated 180° Viewer	Fits 9/16" hole, Adjustable from Projection: 1-1/8" Overall size: 2-1/2" x 5-1/2"	DD01-K1809UL	CP	US26
				SN	US15
				OB	US10B
				BL	US19
<i>New</i> 	5" High Temporary Door Knocker	Projection: 1-1/8" Overall size: 2-5/8" x 5-1/2"	DD01-K5C	CP	US26
				SN	US15
				BL	US19

Picture	Item	Size / Description	Item #	Finish	
	4" Zinc Nail-On House Number 0 ~ 9 House Letter A ~ F	Material: Zinc Die-Cast Surface Nail-On Application Overall Size: 4" x 2-1/4" (Size varies)	DD07-40_	BL	Black
				PB	US3
	4" Heavy Duty House Number 0 ~ 9 House Letter A ~ F	Surface Mount Application Overall Size: 4" x 2-1/4" (Size varies) (US10B for Numbers only)	DD07-4S_	PB	US3
				SN	US15
				OB	US10B
				BL	US19
	6" Heavy Duty House Number 0 ~ 9	Surface Mount Application Overall Size: 6" x 2-1/4" (Size varies)	DD07-6S_	PB	US3
				SN	US15
				OB	US10B
	Spring Crash Chain	Solid Twisted Chain Compression Springs at One End Complete w/ Wooden Screws	DD08-10		US26D
	Spring Crash Chain w/ Vinyl Cover	Solid Twisted Chain Compression Springs at One End Gray Vinyl Cover Complete w/ Wooden Screws	DD08-11		US26D

Picture	Item	Size / Description	Item #	Finish	
	3-1/8" Cast Door Stop	Material: Zinc Die-Cast Fixed Screw Length: 9/16" Projection: 3-1/8" Base Diameter: 15/16"	DD02-20	CP	US26
				PB	US3
				AB	US5
				SN	US15
				OB	US10B
				BL	US19
	3" Rigid Door Stop	Fixed Screw Length: 7/8" Projection: 3" Base Diameter: 15/16"	DD02-23	CP	US26
				PB	US3
				SN	US15
				OB	US10B
				BL	US19
	3" Spring Stop	Fixed Screw Length: 1/2" Projection: 3" Base Diameter: 11/16"	DD02-30	CP	US26
				PB	US3
				AB	US5
				SN	US15
				OB	US10B
	3-1/8" Heavy Duty Spring Stop	Complete w/ 13/16" Screw & Metal Base Projection: 3-1/8" Base Diameter: 15/16"	DD02-31	CP	US26
				PB	US3
				AB	US5
				SN	US15
				AN	US15A
				OB	US10B
	3-3/4" Jumbo Spring Stop	Complete w/ 13/16" Screw & Metal Base Projection: 3-3/4" Base Diameter: 15/16"	DD02-32	CP	US26
				PB	US3
				AB	US5
				SN	US15
				OB	US10B
				BL	US19

Picture	Item	Size / Description	Item #	Finish	
	Hinge Pin Stop	Material: Zinc Die-Cast Complete w/ Rubber Stop & Plastic Spacer Projection: 2" 1-5/8" Adj. Rubber Head Screw Overall Size: 2" x 1-7/16"	DD02-40	CP	US26
				PB	US3
				AB	US5
				SN	US15
				OB	US10B
				BL	US19
	Heavy-Duty Hinge Pin Stop	Material: Zinc Die-Cast Complete w/ Rubber Stop & Plastic Spacer Projection: 2-7/16" 2" Adj. Rubber Head Screw Overall Size: 2-7/16" x 1-3/4"	DD02-41	CP	US26
				PB	US3
				AB	US5
				SN	US15
				AN	US15A
				OB	US10B
	Deluxe Hinge Pin Stop	Material: Zinc Die-Cast Complete w/ Rubber Stop & Plastic Spacer Projection: 2-1/2" 1-13/16" Adj. Rubber Head Screw Overall Size: 2-1/2" x 1-3/4"	DD02-42	CP	US26
				PB	US3
				AB	US5
				SN	US15
				OB	US10B
				BL	US19
	Door Security Hinge Pin Stop	Material: Zinc Die-Cast Complete w/ Rubber Stop & Plastic Spacer Projection: 2" 1-7/8" Adj. Rubber Head Screw Overall Size: 2" x 1-9/16"	DD02-44	CP	US26
				PB	US3
				AB	US5
				SN	US15
				AN	US15A
				OB	US10B
	Adjustable Hinge Pin Stop	Material: Wrought Steel Removable bushings accommodate 1/4" to 5/16" dia hinge pins Door opening adjustments from 70° to 100° Overall Size: 2-3/8" x 3-3/8"	DD02-45	CP	US26
				SN	US15
				OB	US10B
	Door Saver II Residential Hinge Pin Stop	Material: Carbon Steel Hinge Mounted for Residential Application Overall Size: 4-3/4" x 3/4"	DD02-46	CP	US26
				SN	US15
				OB	US10B
				BL	US19
	Door Saver III Residential Hinge Pin Stop	Material: Carbon Steel Hinge Mounted for Residential Application	DD02-47	CP	US26
				SN	US15
				OB	US10B
				BL	US19

Picture	Item	Size / Description	Item #	Finish	
	Adj. Ball Catch w/ Radius Corner Face Plate & Strike	Bullet Size: 13/16" Diameter Hole Size: 7/8" Dia., 1-1/8" Depth Complete w/ 1-3/8" x 2-1/4" Round Corner Full Lip Strike	DD05-10	CP	US26
				PB	US3
				AB	US5
				SN	US15
				OB	US10B
				BL	US19
	Adj. Ball Catch Drive-In Style	Bullet Size: 1" Diameter Hole Size: 7/8" Dia., 1-1/8" Depth Complete w/ 1-3/8" x 2-1/4" Round Corner Full Lip Strike	DD05-30	CP	US26
				PB	US3
				AB	US5
				SN	US15
				OB	US10B
				BL	US19
	Adj. Ball Catch Only Drive-In Style	Bullet Size: 1" Diameter Hole Size: 7/8" Dia., 1-1/8" Depth	DD05-300	CP	US26
	Quick Field Installed Roller Catch	Surface Mount Application Single Plastic Wheel for Silent Closing Adjustable Screw Slot Self-Locating Strike Overall Size: 2" x 7/8"	DD05-50	CP	US26
				PB	US3
				AB	US5
				SN	US15
				OB	US10B
	Mag Katch Top Set	Magnetic latch system for double doors Overall Size: 2-3/4" x 1"	DD05-22	WH	White
				BL	US19
	Mag Katch Top and Bottom Set	Magnetic latch system for double doors Overall Size: Top Bracket: 2-3/4" x 1" Bottom Bracket 2-3/4" x 2"	DD05-23	WH	White
				BL	US19

Picture	Item	Size / Description	Item #	Finish	
	Flip Flush Bolt	Door Prep: 3/4" W x 5/8" D x 6-1/2" H Door Thickness: 1-3/8" ~ 1-3/4" Overall Size: 7" x 3/4"	DD05-697	CP	US26
				SN	US15
				BL	US19
	Flip Flush Bolt w/ 16" Extension	Door Prep: 3/4" W x 5/8" D x 6-1/2" H Door Thickness: 1-3/8" ~ 1-3/4" Overall Size: 7-3/8" x 3/4"	DD05-6916	CP	US26
				SN	US15
				BL	US19
	6" Flush Bolt Round Corner	Door Prep: 3/4" W x 11/16" D x 5-5/16" H Door Thickness: 1-1/4" ~ 1-3/4" Overall Size: 6" x 3/4"	DD05-60	CP	US26
				PB	US3
				AB	US5
				SN	US15
				OB	US10B
	7" Single Route Flush Bolt Round Corner	Door Prep: 3/4" W x 11/16" D x 6-3/4" H Door Thickness: 1-1/4" ~ 1-3/4" Overall Size: 7-1/16" x 3/4"	DD05-62	CP	US26
				PB	US3
				SN	US15
				OB	US10B
	4" Surface Bolt	Surface Screws Application Complete w/ 2 Receptacle Plates & Wooden Screws Overall Size: 4" x 5/8"	DD05-704	CP	US26
				PB	US3
				AB	US5
				SN	US15
				OB	US10B
	6" Surface Bolt	Surface Screws Application Complete w/ 2 Receptacle Plates & Wooden Screws Overall Size: 6" x 5/8"	DD05-706	CP	US26
				PB	US3
				AB	US5
				SN	US15
				AN	US15A

Picture	Item	Size / Description	Item #	Finish	
	Handrail Bracket	Material: Zinc Die-Cast Surface Mount Application Projection: 3" Overall Size: 1-1/4" x 3-1/8"	DD03-10	CP	US26
				PB	US3
				AB	US5
				SN	US15
				OB	US10B
				BL	US19
	Heavy-Duty Handrail Bracket	Material: Zinc Die-Cast Surface Mount Application Projection: 3" Overall Size: 1-1/4" x 3-1/8"	DD03-11	CP	US26
				PB	US3
				AB	US5
				SN	US15
				OB	US10B
				BL	US19
	Jumbo Heavy-Duty Handrail Bracket	Material: Zinc Die-Cast Surface Mount Application Projection: 3" Base Diameter: 2-1/4" Overall Size: 2-1/4" x 3-1/4"	DD03-12	CP	US26
				PB	US3
				SN	US15
				OB	US10B
				BL	US19
					ADA Heavy-Duty Handrail Bracket
SN	US15				
OB	US10B				

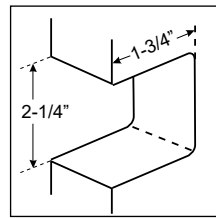
Picture	Item	Size / Description	Item #	Finish	
	1-1/4" Bi-Fold Knob w/ Back Plate	Projection: 1-3/8" Knob Diameter: 1-1/4" Base Diameter: 1-11/16"	DD06-10	CP	US26
				PB	US3
				AB	US5
				SN	US15
				OB	US10B
				BL	US19
	1-1/4" Bi-Fold Knob Only	Projection: 1-3/8" Knob Diameter: 1-1/4"	DD06-11	CP	US26
				PB	US3
				AB	US5
				SN	US15
				OB	US10B
				BL	US19
	2-1/8" Finger Pull Snap-In Installation (No Nail)	Snap-In Installation Opening: 2-1/8" Dia. x 3/8" D. Overall Size: 2-7/16" x 3/8"	DD06-20	CP	US26
				PB	US3
				AB	US5
				SN	US15
				OB	US10B
				BL	US19
	Single Leaf Shelf & Rod Support Bracket	Projection: 12-1/2" Overall Size: 15/16" x 10-1/4"	DD06-31	WC	White
	Heavy-Duty Adj. Shelf & Rod Support Bracket	Projection: 12-1/2" Overall Size: 15/16" x 10-1/4"	DD06-32	WC	White
	Heavy-Duty Fixed Shelf & Rod Support Bracket	Projection: 12-1/4" Overall Size: 15/16" x 10-1/2"	DD06-33	WC	White

Picture	Item	Size / Description	Item #	Finish	
	Heavy Duty Fixed Shelf Support Bracket	Projection: 10-7/8" Overall Size: 15-1/16" x 10-1/2"	DD06-34	WC	White
	White Plastic Pole Socket Set (1-3/8")	White Impact Polyethylene Finish Suitable for Rod w/ 1-3/8" Dia. Overall Size: 2-1/16" x 3/4"	DD06-40	WC	White
	Metal Pole Socket Set (1-1/2")	Suitable for Rod w/ 1-1/2" Dia. Overall Size: 2-1/8" x 7/8"	DD06-42	PB	US3
				WH	White
				SN	US15
				OB	US10B
				BL	US19
	The Blue Thing	Material: Plastic Temporary Door Latch	DD04-30	Blue	
	Silencer 1	Material: Rubber Base Dia: 1/2" Projection: 1/8" For Metal Frames	DD02-81	Gray	
	Silencer 2	Material: Rubber Base Dia: 3/8" x 3/4" Projection: 9/64" For Wood Frames	DD02-82	Gray	

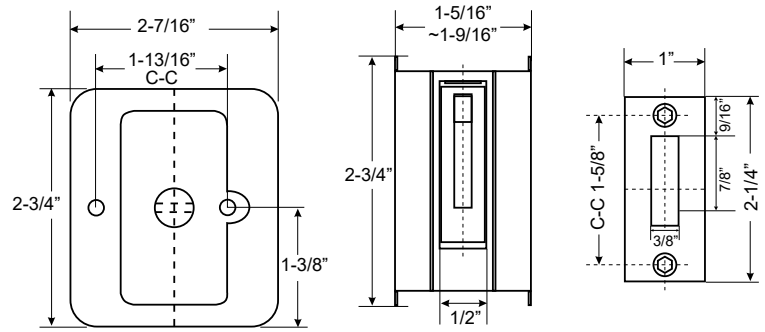
PF1 Series



Notching Dimensions



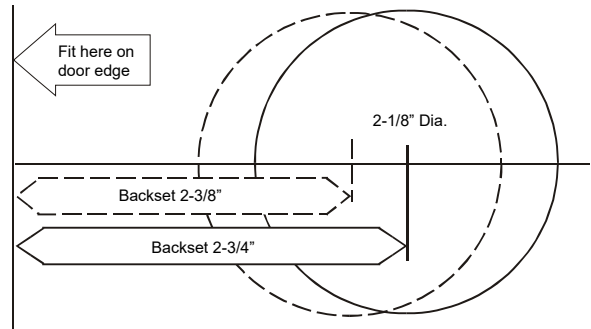
(Kwikset Style)



PF2 Series



PF2S Series



FEATURES & OPTIONS

Door Prep.

PF1 Series

Door Notching: 1-3/4" D. x 2-1/4" H
From Bore: 1" Hole and 1/2" Deep

PF2 Series

Bore: 2-1/8" Dia.

Door Thickness

PF1 Series

Fits 1-5/16" to 1-9/16" standard
(extension kit available for 1-3/4" to 2-1/4" door)

PF2 Series

Fits 1-5/16" to 1-3/4" standard

Bolt

PF1 Series 5-16" hook on Privacy only

Handing

Non-Handed

ANSI/BHMA

A 156.2 Grade 3

Latch Backset

2-3/8" standard
(2-3/4" available)

FUNCTIONS

Code	Function	Description
10	Privacy (F76)	Both sides locked or unlocked by turn-piece inside. Outside unlocked by a coin or screwdriver.
30	Passage (F75)	Both sides always free.

FINISH AVAILABILITY

Pamex Code	7	8	D	P	9	2	S
US Code	3	5	12P	15	19	26	26D
BHMA code	605	609	716	619	622	625	626
PF1 Series	•	•	•	•	•	•	
PF2 Series			•	•	•	•	•
PF2S Series				•	•	•	•

HOW TO ORDER

PF1 0 10

Function

10 - Privacy
30 - Passage

Finish

7 - Polished Brass
8 - Antique Brass
D- Dark Bronze
P - Satin Nickel
9 - Matte Black
2 - Polished Chrome
S - Satin Chrome

Series

PF1 Series
PF2 Series
PF2S Series

SOLANO COLLECTION

US Code	26	15	19
BHMA code	625	619	622
	•	•	•



Single Robe Hook



European-style Paper Holder



Paper Holder



Straight Post Paper Holder



Pivot Paper Holder



Towel Ring



Circle Towel Ring



Towel Bar Set



Double Towel Bar Set

VINA COLLECTION

US Code	26	15	19
BHMA code	625	619	622
	•	•	•



Single Robe Hook



European-style Paper Holder



Paper Holder



Straight Post Paper Holder



Pivot Paper Holder



Towel Ring



Circle Towel Ring



Towel Bar Set



Double Towel Bar Set

CHARLESTON COLLECTION

US Code	26	15	19
BHMA code	625	619	622
	•	•	•



Double Robe Hook



European-style Paper Holder



Paper Holder



Towel Ring



Towel Bar Set

VENTURA COLLECTION

US Code	26	15	12P	19
BHMA code	625	619	716	622
	•	•	•	•



Double Robe Hook



European-style Paper Holder



Paper Holder



Towel Ring



Toothbrush / Tumbler Holder



Soap Dish



Towel Bar Set

CARMEL COLLECTION

US Code	26	15	12P	19
BHMA code	625	619	716	622
	•	•	•	•



Double Robe Hook



European-style Paper Holder



Paper Holder



Towel Ring



Tumbler Holder



Soap Dish



Towel Bar Set

SEAL BEACH COLLECTION

US Code	26	15	12P	19
BHMA code	625	619	716	622
	•	•	•	•



Single Robe Hook



European-style Paper Holder



Paper Holder



Towel Ring



Toothbrush / Tumbler Holder



Soap Dish



Towel Bar Set

ESTES COLLECTION

US Code	26	15	12P	19
BHMA code	625	619	716	622
	•	•	•	•



Double Robe Hook



European-style Paper Holder



Paper Holder



Towel Ring



Towel Bar Set

CAMPBELL COLLECTION

US Code	26	3
BHMA code	625	605
	•	•



Double Robe Hook



Towel Ring



Paper Holder
(White Roller)



Paper Holder
(Chrome Roller)



Toothbrush /
Tumbler Holder



Soap Dish



Towel Bar Set

CORONA COLLECTION

US Code	26	3	15	12P	19
BHMA code	625	605	619	716	622
	•	•	•	•	•



Double Robe Hook



Towel Ring



Paper Holder
(White Roller)



Paper Holder
(Chrome Roller)



Toothbrush /
Tumbler Holder



Soap Dish



Towel Bar Set

EDISON COLLECTION

US Code	26
BHMA code	625
	•



Double Robe Hook



Paper Holder



Towel Bar Set



Towel Ring



Toothbrush /
Tumbler Holder



Soap Dish

Picture	Item	Size / Description	Item #	Finish
	Stainless Steel Grab Bar Exposed Screw	Available Sizes: 12", 18", 24", 30", 36", 42", 48" 18", 24", 36", 42" only for Peened Grab Bar Type 304 Satin Stainless Steel Bar w/ .050" Wall Thickness (18 Gauge)	BGBSS-12_E	US32D
	Stainless Steel Grab Bar Concealed Screw	Mounting Flanges w/ .073" Wall Thickness (14 Gauge) 1-1/2" Diameter Tube Bar 3" Diameter Flanges w/ 3 Hole Mounts 1-1/2" Wall Clearance on All Bars to Meet ADA Requirements Tested to Withstand 250 lbs. Pull/Push When Properly Installed	BGBSS-12_C	US32D
	Stainless Steel Peened Grab Bar Concealed Screw	"Snap and Twist" Concealed Flange Covers	BGBBL-12_C	US19
	Stainless Steel Peened Grab Bar Concealed Screw	"Snap and Twist" Concealed Flange Covers	BGBSS-12_P	US32D
	Swing Up Grab Bar	Type 304 Satin Stainless Steel Bar w/ .050" Wall Thickness (18 Gauge) 1-1/4" Diameter Tube Bar Down Dimension: 3-1/16" W x 10-3/16" H Base Plate: 3-1/16" W x 10-3/16" H Back Plate: 3/16" Thickness Operates w/ Less Than 5 Pounds of Force 300 lbs Weight Limit	BGBSS-1430SWP	US32D
			BGBWH-1430SWP	White
	Contemporary Stainless Steel Grab Bar	Available Sizes: 18", 24", 36" and 42" Type 304 Satin Stainless Steel Bar w/ .050" Wall Thickness (18 Gauge) Mounting Flanges w/ .073" Wall Thickness (14 Gauge) 1-1/4" Diameter Tube Bar 3" Diameter Flanges w/ 3 Hole Mounts 1-1/2" Wall Clearance on All Bars to Meet ADA Requirements Tested to Withstand 250 lbs. Pull/Push When Properly Installed "Snap and Twist" Concealed Flange Covers	BGBSS-14_A	US32D
			BGBCP-14_A	US26
			BGBBL-14_A	US19



Item	Size / Description	Item #	Finish
Adjustable Curved Shower Rod	<p>25% More Showering Space. Eliminates Elbow-Cling Fits Standard / Oval Bath Tub and Standard Shower Curtain Prevents Water Leakage at the Corners Easily Adjustable to Custom Size from 54" to 72"</p> <p>Rod 1" Dia. Stainless Steel Rod</p> <p>Flange Set Stainless Steel Mounting Brackets and Escutcheon Overall Size: 3-1/2" W x 1-1/2" H</p>	BSFCP-585	US26
		BSFSN-585	US15
		BSFBL-585	US19






New






Curved Shower Rod	<p>Available in 5 or 6 ft. 25% More Showering Space. Eliminates Elbow-Cling Fits Standard / Oval Bath Tub and Standard Shower Curtain Prevents Water Leakage at the Corners Easily Cut Down to Custom Size</p> <p>Rod 1" Dia. Stainless Steel Rod</p> <p>Flange Set Durable Zinc Die-Cast Swivel Brackets Chrome Plated Flanges Overall Size: 2-1/2" W x 2" H</p>	BSRCP-552 (5 ft. Rod)	US26
		BSRCP-652 (6 ft. Rod)	
		BSRSN-552 (5 ft. Rod)	US15
		BSRSN-652 (6 ft. Rod)	
		BSRBL-552 (5 ft. Rod)	US19
		BSRBL-652 (6 ft. Rod)	



Item	Size / Description	Item #	Finish
Exposed Screw Spacious Shower Rod	<p>Available in 5 or 6 ft. 25% More Showering Space. Eliminates Elbow-Cling Fits Standard / Oval Bath Tub and Standard Shower Curtain Prevents Water Leakage at the Corners</p> <p>Rod 1" Dia. Stainless Steel Rod</p> <p>Flange Set Exposed Screws Durable Stainless Steel Brackets Overall Size: 3" W x 1-1/2" H</p>	BSRCP-573 (5 ft. Rod)	US26
		BSRCP-673 (6 ft. Rod)	
		BSRSN-573 (5 ft. Rod)	US15
		BSRSN-673 (6 ft. Rod)	
		BSRDB-573 (5 ft. Rod)	US12P
		BSRDB-673 (6 ft. Rod)	
		BSRBL-573 (5 ft. Rod)	US19
		BSRBL-673 (6 ft. Rod)	
			
Concealed Screw Spacious Shower Rod	<p>Available in 5 or 6 ft. 25% More Showering Space. Eliminates Elbow-Cling Fits Standard / Oval Bath Tub and Standard Shower Curtain Prevents Water Leakage at the Corners</p> <p>Rod 1" Dia. Stainless Steel Rod</p> <p>Flange Set Concealed Screws Durable Stainless Steel Brackets Overall Size: 3" W x 1-1/2" H</p>	BSRCP-593 (5 ft. Rod)	US26
		BSRCP-693 (6 ft. Rod)	
		BSRSN-593 (5 ft. Rod)	US15
		BSRSN-693 (6 ft. Rod)	
		BSRDB-593 (5 ft. Rod)	US12P
		BSRDB-693 (6 ft. Rod)	
		BSRBL-593 (5 ft. Rod)	US19
		BSRBL-693 (6 ft. Rod)	
			

Picture	Item	Size / Description	Item #	Finish
	1" Dia. Rod & ABS Adj. Flange Set	Available in 5 or 6 ft. Rod Material: Aluminum Wall Thickness: .025" (22 Gauge) Flange Set Material: Chrome Plated ABS Plastic Base / Wall Thickness: .078" / .062"	BSRCP-511 (5 ft. Rod)	US26
			BSRCP-611 (6 ft. Rod)	
	1" Dia. Rod & Zinc Adj. Flange Set	Available in 5 or 6 ft. Rod Material: Aluminum Wall Thickness: .025" (22 Gauge) Flange Set Material: Chrome Plated Zinc Die-Cast Base / Wall Thickness: .078" / .062"	BSRCP-521 (5 ft. Rod)	US26
			BSRCP-621 (6 ft. Rod)	
			BSRSN-521 (5 ft. Rod)	US15
			BSRSN-621 (6 ft. Rod)	
			BSRDB-521 (5 ft. Rod)	US12P
			BSRDB-621 (6 ft. Rod)	
			BSRBL-521 (5 ft. Rod)	US19
BSRBL-621 (6 ft. Rod)				
	1" Dia. Rod & Zinc. Exposed Flange Set	Available in 5 or 6 ft. Rod Material: Aluminum Wall Thickness: .025" (22 Gauge) Flange Set Material: Zinc Die-Cast Base Thickness: .062"	BSRCP-531 (5 ft. Rod)	US26
			BSRCP-631 (6 ft. Rod)	
			BSRSN-531 (5 ft. Rod)	US15
			BSRSN-631 (6 ft. Rod)	
			BSRDB-531 (6 ft. Rod)	US12P
			BSRDB-631 (6 ft. Rod)	
			BSRBL-531 (5 ft. Rod)	US19
			BSRBL-631 (6 ft. Rod)	
	1" Dia. Rod & Stainless Steel Flange Set	Available in 5 or 6 ft. Rod Material: Aluminum Wall Thickness: .025" (22 Gauge) Flange Set Material: Stainless Steel Concealed Screw Surface Mount	BSRCP-541 (5 ft. Rod)	US26
			BSRCP-641 (6 ft. Rod)	
			BSRSN-541 (5 ft. Rod)	US15
			BSRSN-641 (6 ft. Rod)	
			BSRBL-541 (5 ft. Rod)	US19
BSRBL-641 (6 ft. Rod)				
	1" Dia. Rod & Stainless Steel Flange Set	Available in 5 or 6 ft. Rod Material: Stainless Steel Wall Thickness: .025" (22 Gauge) Flange Set Material: Stainless Steel Concealed Screw Surface Mount	BSRSS-541 (5 ft. Rod)	US32D
			BSRSS-641 (6 ft. Rod)	

Picture	Item	Size / Description	Item #	Finish
	Towel Shelf with Bar	18" Bar Semi-Concealed Surface Mount 20-12" W x 8-1/2" H x 9-1/2" D	BTSCP-1318	US26
		24" Bar Semi-Concealed Surface Mount 26-12" W x 8-1/2" H x 9-1/2" D	BTSCP-1324	
	Recessed Extra Paper Holder	Recessed Mount Application 6" Spring Loaded Plastic Roller Projection: 2-3/4" Wall Opening: 5-1/4" x 5-1/4" Recessed Depth: 4" Overall Size: 6-3/8" x 6-3/8"	BC3CP-44	US26
	Twin Recessed Paper Holder	Recessed Mount Application 6" Spring Loaded Plastic Roller Projection: 1-1/8" Wall Opening: 11" x 5" Recessed Depth: 1-3/4" Overall Size: 12-1/4" x 6-1/8"	BC3CP-44D	US26
	Surface Mount Twin Paper Holder	Surface Mount Application 6" Spring Loaded Plastic Roller Projection: 3" Overall Size: 13" x 2-1/4"	BC3CP-41D	US26
	Recessed Tissue Dispenser	Recessed Mount Application Steel Face Plate, 22 Gauge Projection: 1/4" Wall Opening: 10-11/16" x 4-7/8" Recessed Depth: 2-3/8" Overall Size: 11-13/16" x 6"	BTDCP-47	US26
	Retractable Clothes Line	Surface Mount Application 7' Nylon Cord 3-5/8" Diameter x 1-1/8"	BCLCP-72	US26

Picture	Item	Size / Description	Item #	Finish
	Deep Recessed Paper Holder	6" Spring Loaded Plastic Roller Projection: 1-11/16" Recessed Depth: 1-5/8" Wall Opening: 5-1/8" x 5-1/8" Overall Size: 6-1/8" x 6-1/8"	BC2CP-44	US26
			BC2SS-44	US32D
	Shallow Recessed Soap Holder & Grab	Projection: 1-3/8" Recessed Depth: 1" Wall Opening: 5-1/8" x 5-1/8" Overall Size: 6" x 6"	BC2CP-63	US26
	Deep Recessed Soap Holder & Grab	Projection: 1-3/8" Recessed Depth: 1-5/8" Wall Opening: 5-1/4" x 5-1/4" Overall Size: 6-1/8" x 6-1/8"	BC2CP-64	US26

COMPREHENSIVE ARCHITECTURAL HARDWARE CONSULTING SERVICES

PAMEX has experienced architectural hardware experts on staff to provide the architectural and design community with comprehensive consulting services surrounding architectural hardware, doors and frames specifications.

We understand the importance of meeting time-sensitive deadlines and strict budget requirements. When you use Pamex's complimentary specification writing service, you will achieve both.

Pamex saves you time by operating your door hardware specifications on your behalf at no cost. We review the plans and help you spot and fix conflicts between the door schedule and floor plans.

Our goal is to help you by taking the stress and worry out of creating the hardware schedule during the design phase of your project by providing you with the following complimentary services:

- Developing detailed, architectural hardware specifications and schedules
- Meeting with your design professional and/or owner / architect to discuss project requirements and coordinate security and access control.
- Consulting on the applicable building codes to ensure fire, life-safety, and accessibility requirements are met
- Assisting with the development of keying schedules
- Provide product catalog cuts, electrical elevations, and riser diagrams
- Review of substitution requests, product applications, and product questions
- Review and comment on hardware submittals
- Conduct jobsite reviews, pre-installation meetings and post-installation inspections
- Conduct fire door inspections (FDAI-certified)

We believe that by offering you these complimentary, value-added services, along with our premium quality and cost-effective products, you'll see for yourself how Pamex really does give you more.

Specifications:

- Section 08 71 10 Door Hardware
- Section 08 74 00 Access Control Hardware
- Section 08 71 53 Security Door Hardware
- Section 10 28 00 Toilet, Bath, and Laundry
- Section 28 00 00 Electronic Safety and Security



TOTAL OPENINGS APPLICATION DEVELOPERS

COMSENSE



* WARNING: Cancer and Reproductive Harm - www.P65warnings.ca.gov - See page 141 to learn more about California Proposition 65



CALIFORNIA PROPOSITION 65 OVERVIEW

What is Proposition 65?

Proposition 65 requires businesses to provide warnings to Californians about significant exposures to chemicals that cause cancer, birth defects or other reproductive harm. This enables Californians to make informed decisions about their exposures to these chemicals.

Proposition 65 requires California to publish a list of chemicals known to cause cancer, birth defects or other reproductive harm. This list, which must be updated at least once a year, has grown to include approximately 900 chemicals since it was first published in 1987.

What does the warning look like?

⚠️ WARNING: Cancer and Reproductive Harm - www.P65warnings.ca.gov

What does a warning mean?

The product package associated with the warning could expose individuals to one or more of the chemicals on the list.

How do I learn more about Proposition 65?

Visit this website to learn more about Proposition 65.

<https://www.p65warnings.ca.gov/>

Where do I find answers related to businesses?

https://www.p65warnings.ca.gov/sites/default/files/art_6_business_qa.pdf

Headquarters
4680 Vinita Ct.
Chino, CA 91710

Distribution Center
8400 Westmoreland Dr. NW
Concord, NC 28027

Phone
(909) 606-4168
(800) 621-6869

Fax
(909) 606-4358
(800) 838-8307

Email + Website
sales@pamexinc.com
pamexinc.com



Minority Business Enterprise Certified Company
Certificate #4269