

CRYSTORAMA

LIGHTING THE WAY FOR SIXTY YEARS



Crystorama.com

ASSEMBLY INSTRUCTION MODEL #1482-HB-CL-MWP



All electrical components must be installed by a licensed electrician in accordance with the National Electric Code and the appropriate local electrical codes.



You will need 2 -Candelabra Base Bulb
40 Watts recommended 60Watts Max.
USE LED BULBS FOR EXTENDED USE

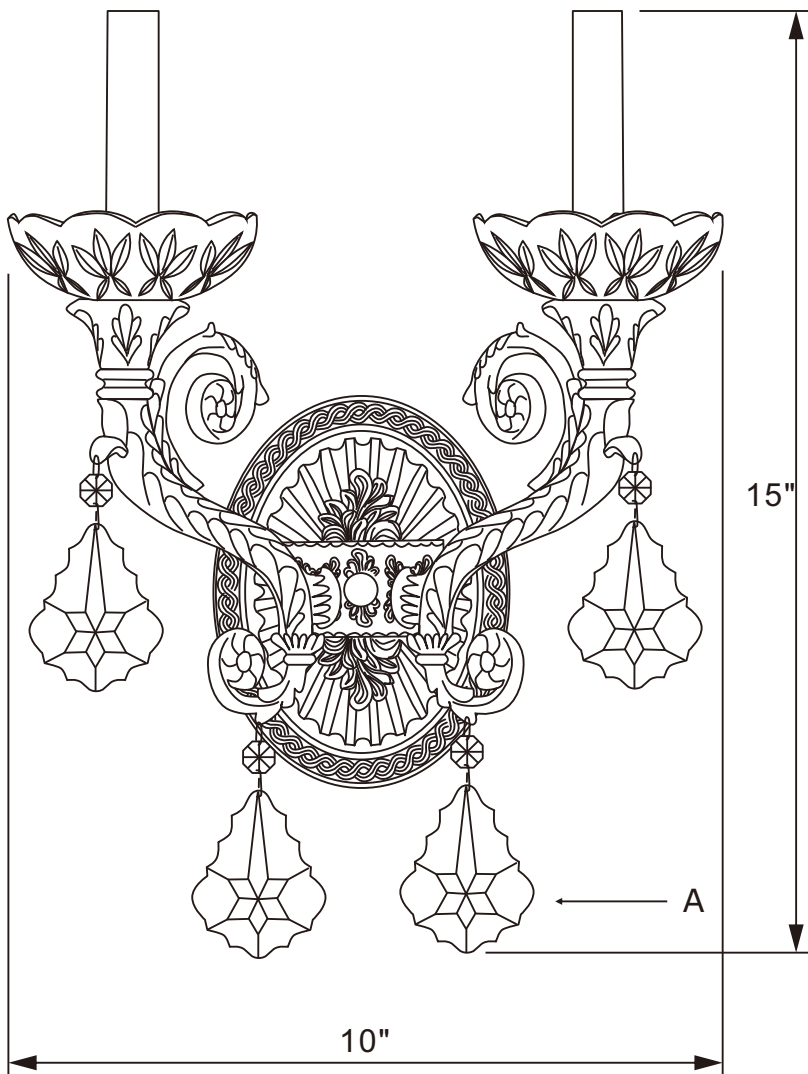
The fixture is dry rated.

How to Install

1. Do a complete inventory of all parts and components before you start installing.
2. After safely attaching fixture into outlet box, install bobeches, bulbs and proceed to connecting the power.
3. When you begin to dress the fixture, start with pocket labeled(A)
4. IMPORTANT: Apply crystal sets in alphabetical order.

Crystal Sets

A. 4 Sets. (1)14mm + AS20-3"



Depth: 6.5"

WARNING: This product can expose you to Lead, which is known to the State of California to cause cancer and/or birth defects or reproductive harm. For more information go to www.P65warnings.ca.gov

CRYSTORAMA

LIGHTING THE WAY FOR SIXTY YEARS

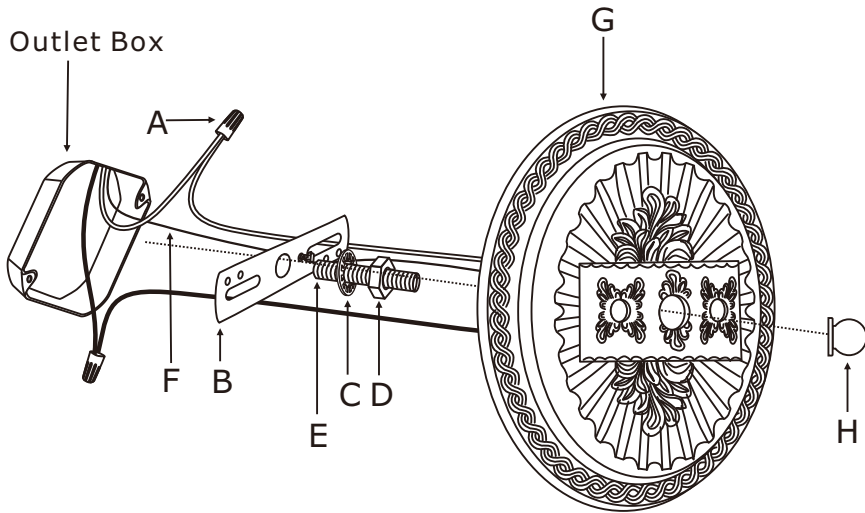


Crystorama.com

PART NUMBER MODEL #1482-HB-CL-MWP

Part Number

Part Numbers



- A. (2)-Wire Connector
- B. (1)-Crossbar
- C. (1)-Lock Washer
- D. (1)-Hex Nut
- E. (1)-Nipple
- F.(1)-Ground Wire
- G. (1)-Backplate (W5"xH6 1/4")
-XSN1482HBBKP5IN
- H.(1)-Finial-XSN1482HBFIN
- I. (8)-Candle Sleeve;H4"
- J.(9)-Bobèche;Ø4",No pin,28mm hole
-XSN1482HBBOB4IN
- K.(8)-Scroll
- L. (8)-Arms

