

CRYSTORAMA

LIGHTING THE WAY FOR SIXTY YEARS



Crystorama.com

ASSEMBLY INSTRUCTION MODEL #1486-HB-CL-MWP

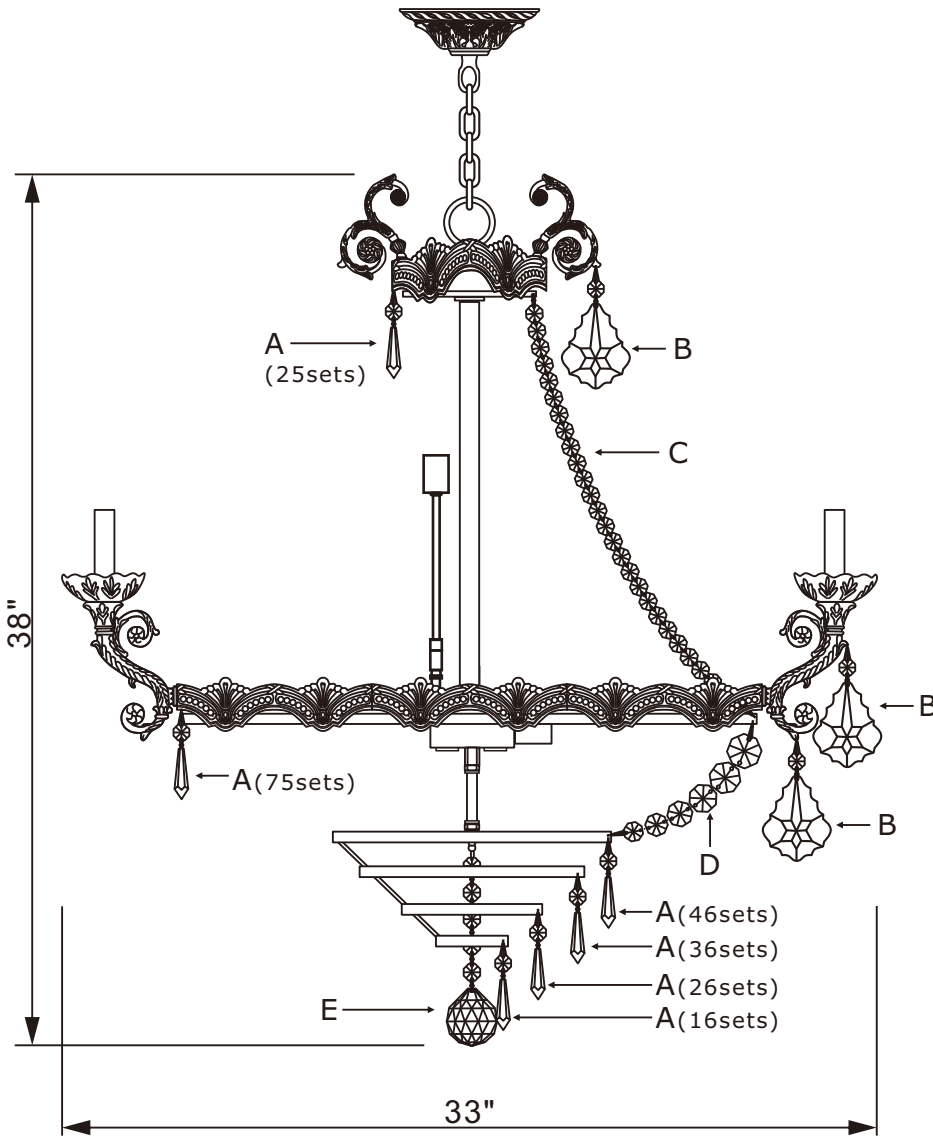


All electrical components must be installed by a licensed electrician in accordance with the National Electric Code and the appropriate local electrical codes.



You will need 13 -Candelabra Base Bulb
40 Watts recommended 60Watts Max.
USE LED BULBS FOR EXTENDED USE

The fixture is dry rated.



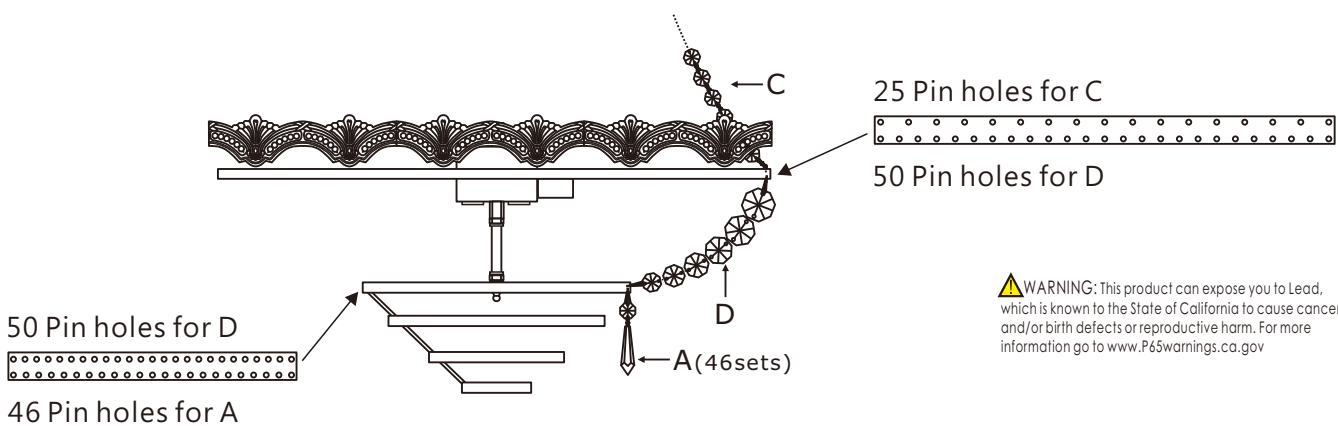
How to Install

1. Do a complete inventory of all parts and components before you start installing.
2. After safely attaching fixture into outlet box, install bobeches, bulbs and proceed to connecting the power.
3. When you begin to dress the fixture, start with pocket labeled(A)
4. IMPORTANT: Apply crystal sets in alphabetical order.

Crystal Sets

- A. 224 Sets. (1)14mm + AS2-1.5"
- B. 15 Sets. (1)14mm + AS20-3"
- C. 25 Sets. (27)14mm
- D. 50 Sets. (1)28mm + (1)26mm + (1)24mm + (1)20mm + (1)18mm + (1)16mm
- E. 1 Piece. (5)14mm + AS8-40mm Ball

DETAILED ILLUSTRATION



WARNING: This product can expose you to Lead, which is known to the State of California to cause cancer and/or birth defects or reproductive harm. For more information go to www.P65warnings.ca.gov

CRYSTORAMA

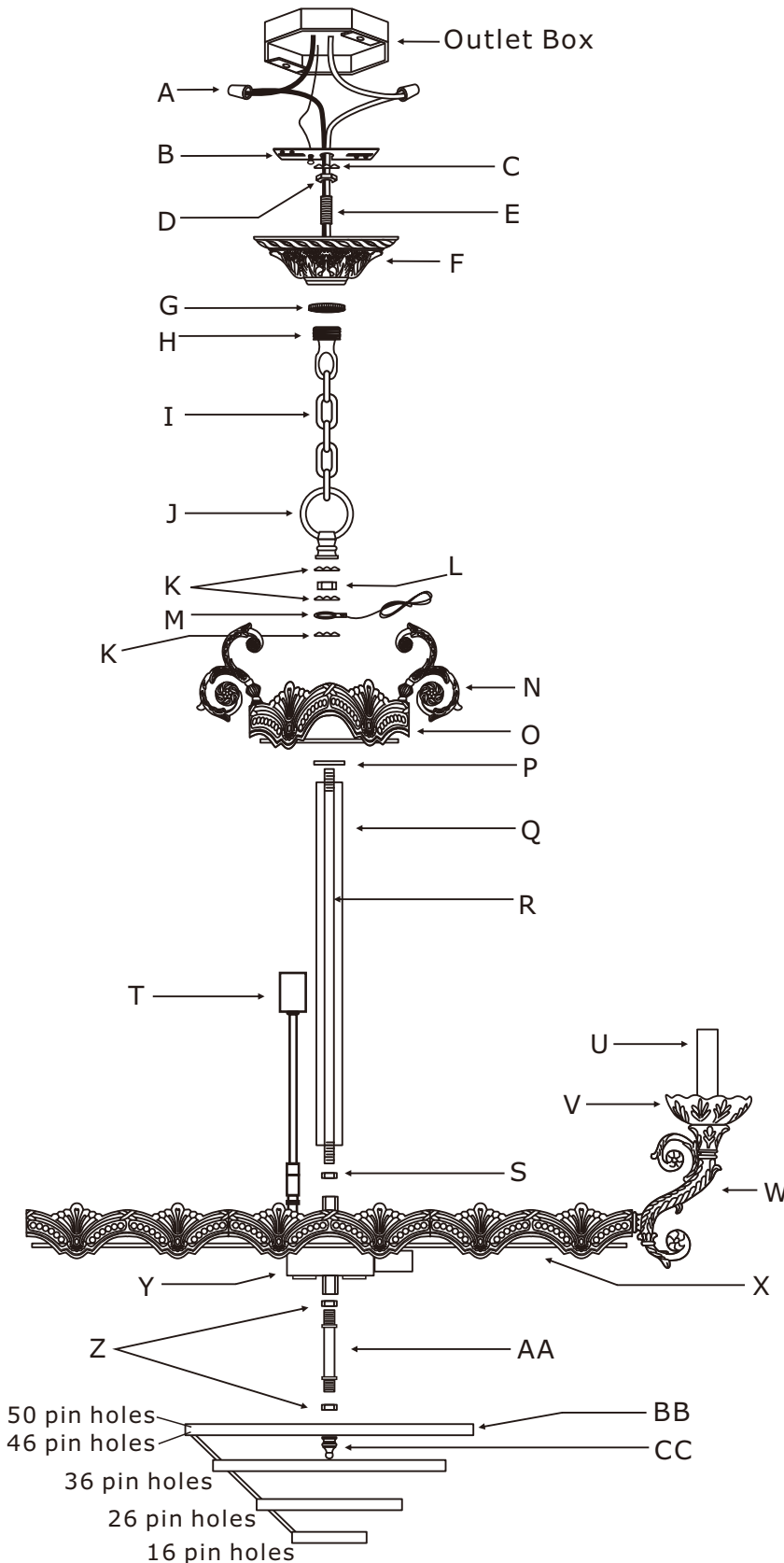
LIGHTING THE WAY FOR SIXTY YEARS



PART NUMBER MODEL #1486-HB-CL-MWP

Part Number

Part Numbers



- A. (2)-Wire Connector
- B. (1)-Mounting Bar
- C. (1)-Lock Washer
- D. (1)-Hex Nut
- E. (1)-Thread
- F. (1)-Canopy (W5"xH1.75")
-XSN1483CAN5IN
- G. (1)-Collar Ring
- J. (1)-Loop
- H. (1)-Collar Loop
- I. (1)-Chain (4mmx72")
-XSN1486HBCHA4MM
- L. (1)-Nut
- K. (3)-Washer
- M. (1)-Ground Wire
- N. (5)-Scroll
- O. (1)-Top Banding Kit
Decorative banding; 25 pin holes
Inside metal ring; 25 pin holes
- P. (1)-Check Ring
- Q. (1)-ROD; H19 3/4"
-XSN1486HBROD19.75IN
- R. (1)-Thread; H20 1/4"
- S. (1)-Nut
- T. (1)-Movable Socket kit;
H1 3/4" Thread with socket,
H3.5" Thread with socket,
H7.5" Thread with socket.
- U. (5)-Candle Sleeve; H4"
- V. (5)-Bobeche; Ø5", No pin, 28mm hole
-XSN1486HBBOB5IN
- W. (5)-Arms
- X. (1)-Main Banding Kit
Decorative banding, 75 pin holes
Inside metal ring, 25+50 pin holes
- Y. (1)-Center Junction Kit
4" Junction box, 3 side sockets;
2 inside sockets.
- Z. (2)-Nut
- AA. (1)-Thread; H3"
- BB. (1)-4-Tier basket; Ø10.5", H4.5"
(50+46)+36+26+16 pin holes
- CC. (1)-Finial-XSN1483HBFIN