

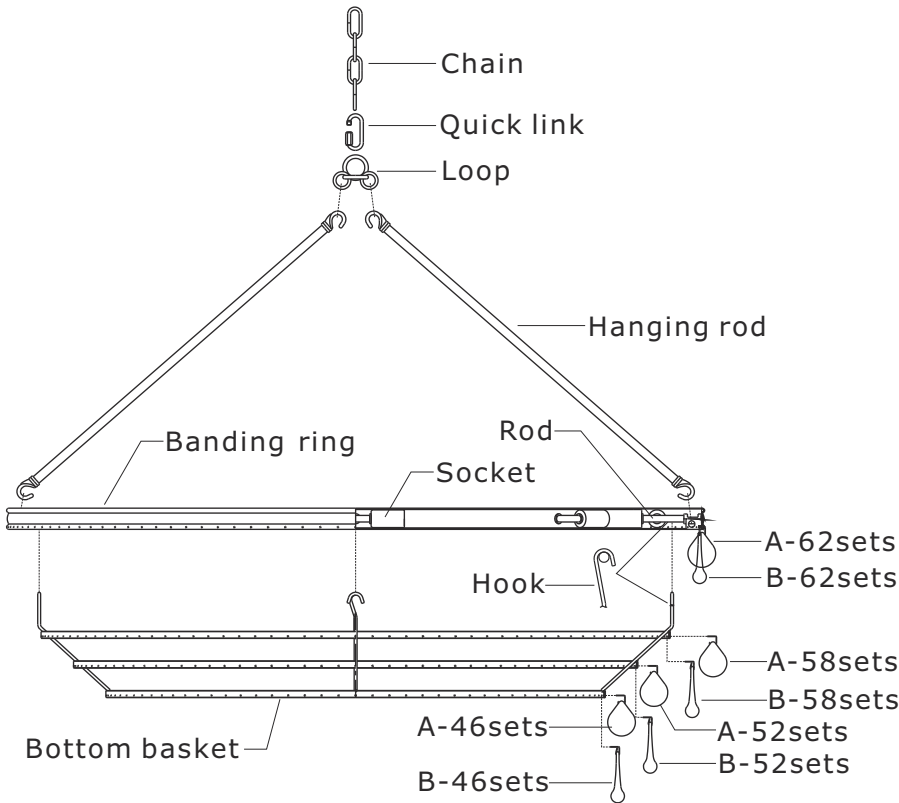
# CRYSTORAMA

LIGHTING THE WAY FOR SIXTY YEARS

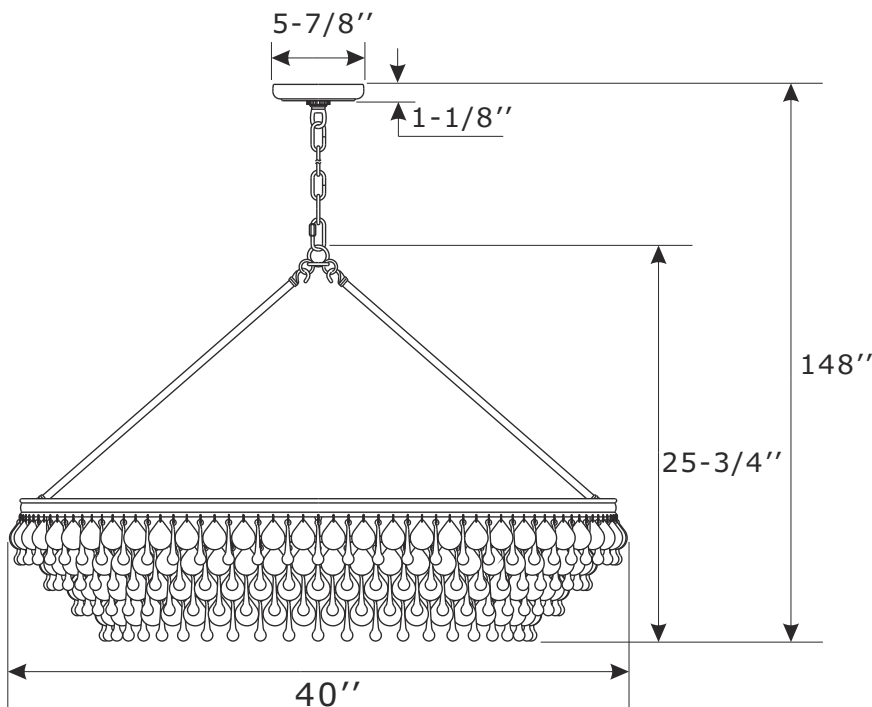


Crystorama.com

## ASSEMBLY INSTRUCTION MODEL#278-CH



**Hang crystals on the rings alternating between crystals A and B**



A =  40mmx218sets

B =  76mmx218sets



All electrical components must be installed by a licensed electrician in accordance with the National Electric Code and the appropriate local electrical codes.



You will need 8- Candelabra Base Bulb  
40 Watts Recommended 60 Watts Max.  
USE LED BULBS FOR EXTENDED USE  
This fixture is Damp rated

### For ceiling:

1. Connect one end of hanging rod to the hole inside the banding ring, the second end of it to the loop.
2. Raise the bottom basket and connect the hooks of the bottom basket to the rods of the banding ring.
3. Install the fixture onto the outlet box. The fixture weighs over 50lb and a safety cable is supplied with the fixture. Please follow the detailed installation steps on next page.
4. Hang crystals to the banding ring and bottom basket, alternating between glass drop A and B.
5. Install the bulb(not included) into the socket.

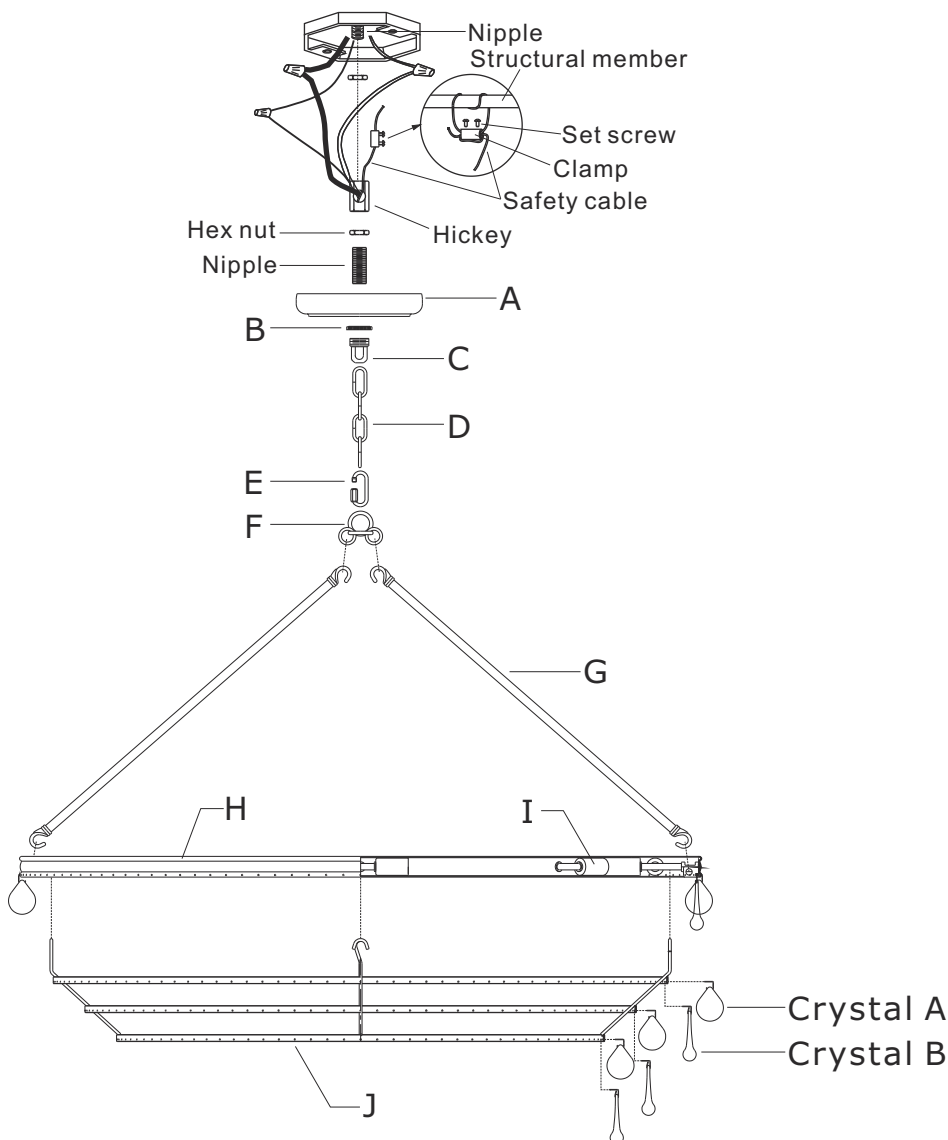
 **WARNING:** This product can expose you to Lead which is known to the state of California to cause cancer and/or birth defects or reproductive harm. For more information go to [www.P65Warnings.ca.gov](http://www.P65Warnings.ca.gov)



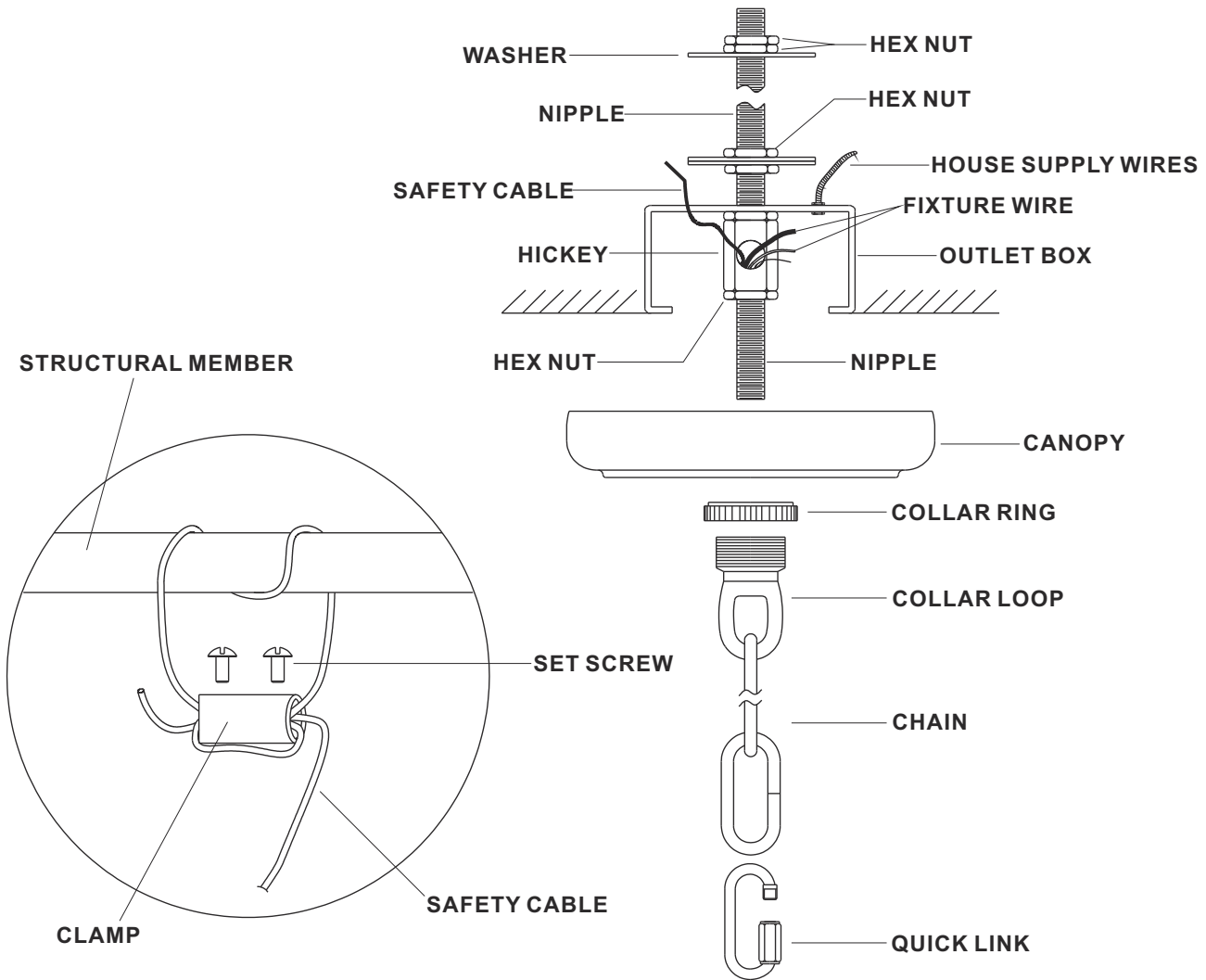
## Part Number

### Part Numbers

- A. (1)-Canopy W5-7/8"xH1-1/8" #XRF275CHCAN5.875IN
- B. (1)-Collar ring
- C. (1)-Collar loop
- D. (1)-Chain -L120", 5mm thick #XRF275CHCHA5MM
- E. (1)-Quick link
- F. (1)-Loop #XRF275CHLOOP
- G. (3)-Hanging rod #D1/2"xL23-3/4" #XRF278CHHROD23.75IN
- H. (1)-Banding ring #XRF278CHRING
- I. (8)-Socket
- J. (1)-Bottom basket XRF278CHBT



## SAFETY CABLE INSTALLATION INSTRUCTIONS



### IMPORTANT:

**FOR A SAFE AND SECURE INSTALLATION, THESE FIXTURES MUST BE INSTALLED BY MEANS OF SUPPORTS THAT ARE INDEPENDENT OF THE OUTLET BOX.**

### SUGGESTED INSTALLATION:

1. Provide a 1/4 IPS pipe with one end securely mounted to a beam or a structural member. The other end should protrude through the center of the outlet, as shown.
2. Assemble the screw collar loop, nipple, hex nuts and hickey to center 1/4 IPS support pipe and adjust overall length to allow the collar ring to hold the canopy flush to the ceiling. When the adjustments have been completed secure the hex nut, as shown.
3. Attach the chain to the fixture loop. Slide the screw collar ring over the upper end of the chain, through the (Finished side down). Open the end link of chain and lift the fixture to attach to the screw collar loop and secure the link.
4. Lace the fixture wires, ground wires and safety cable through the chain and screw collar loop, existing through the side of HICKEY. Proceed to attach the FIXTURE GROUND WIRE to HOUSE GROUND WIRE using wire connector. Using wire connectors, connect the HOUSE WHITE WIRE to the FIXTURE SUPPLY WIRE (WHITE OR RIBBED SIDE); connect the HOUSE BLACK (or RED) WIRE to the FIXTURE SUPPLY WIRE (BLACK or SMOOTH SIDE). Wrap all connectors with approved electrical tape. Wrap safety cable around outlet box brace and pull cable taut. Secure cable with the clamp and (2) set screws provided, as shown.
5. Push the CANOPY upward over the OUTLET BOX. Be sure that all wires are carefully tucked into the OUTLET BOX cavity. Secure canopy against ceiling by threading CANOPY LOCK RING onto the CANOPY LOOP. Tighten until snug.