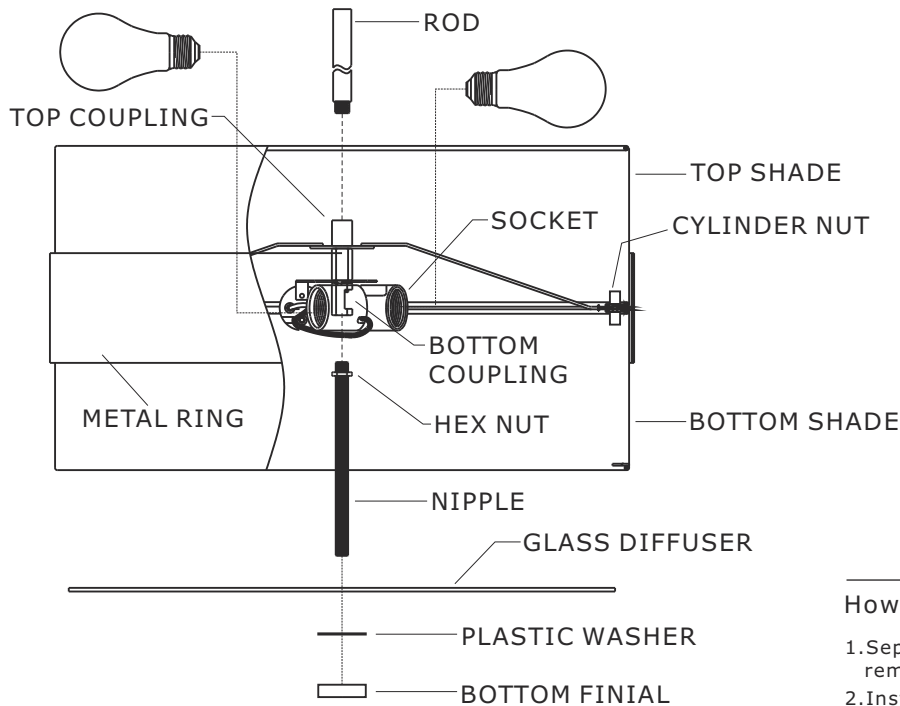


CRYSTORAMA

LIGHTING THE WAY FOR SIXTY YEARS



ASSEMBLY INSTRUCTION MODEL#295-DB



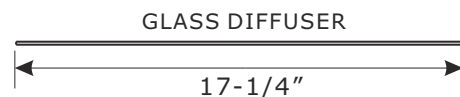
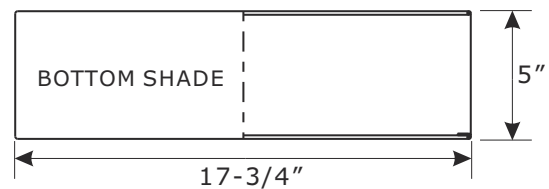
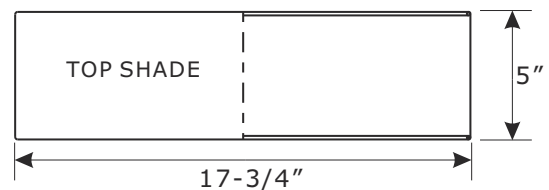
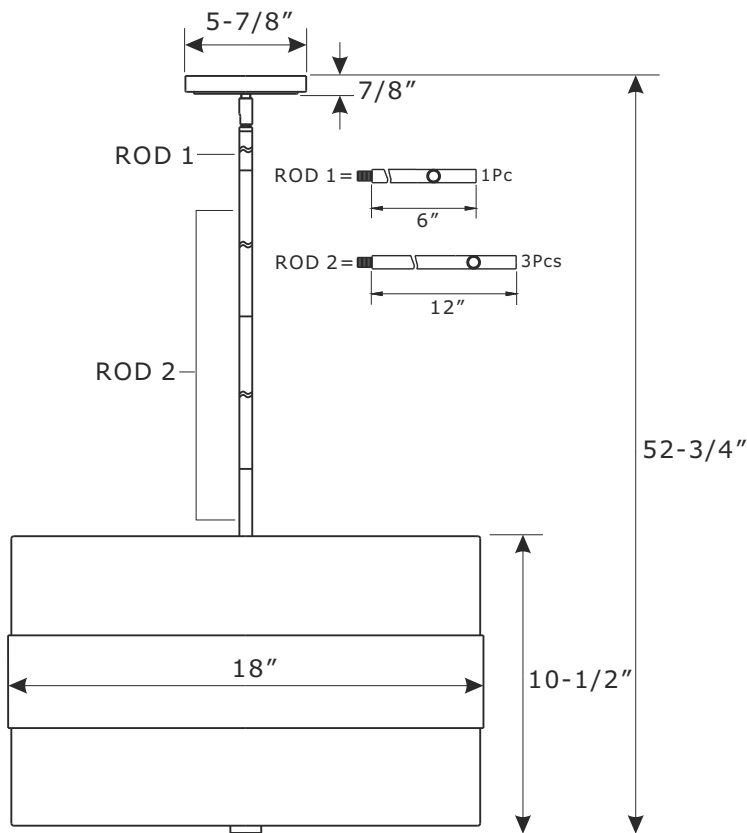
All electrical components must be installed by a licensed electrician in accordance with the National Electric Code and the appropriate local electrical codes.



You will need 3-Medium Base Bulb
60 Watts Recommended 100 Watts Max.
USE LED BULBS FOR EXTENDED USE
This fixture is Dry rated

How to install

1. Separate the mounting plate from the canopy kit by removing the screws.
2. Install the mounting plate to the outlet box using two outlet box screws.
3. Determine the preferred hanging height and adjust the required rods.
4. Feed the wires through the rods and connect them together.
5. Slip canopy kit along wire and thread it into the top of the rod assembly.
6. Install canopy onto the mounting plate, and secure with the mounting screws.
7. Install the bulb(not included) into the socket.
8. Thread the nipple onto the coupling and adjust the length of nipple to fit with the glass. Tighten it with hex nut.
9. Slide the glass diffuser and the plastic washer over the nipple, then secure with the bottom finial.



HOW TO REPLACE BULB:

FROM THE TOP OPENING OF SHADE, REPLACE PREVIOUS BULB W/ NEW BULB.

(IF REPLACED FROM THE BOTTOM, YOU NEED TO REMOVE THE BOTTOM FINIAL AND DIFFUSER TO REPLACE THE BULB.)

WARNING: This product can expose you to Lead which is known to the state of California to cause cancer and/or birth defects or reproductive harm. For more information go to www.P65Warnings.ca.gov



ASSEMBLY INSTRUCTION MODEL#295-DB

Part Number

Part Numbers

- A. (1)-Mounting hardware
- B. (1)-Mounting plate
- C. (2)-mounting screw
- D. (1)-Canopy kit W5-7/8"xH7/8" #XRF290DBCAN5.875IN
- E. (1)-Rod D5/8"xL6" #XRF290DBROD6IN
- F. (3)-Rod D5/8"xL12" #XRF290DBROD12IN
- G. (1)-Top shade W17-3/4"xH5" #XRF295DBSHA17.75IN
- H. (6)-Cylinder nut
- I. (1)-Bottom shade W17-3/4"xH5" #XRF295DBBOTSHA17.75IN
- J. (1)-Metal ring
- K. (1)-Hex nut
- L. (1)-Nipple
- M. (1)-Glass diffuser #XRF295DIF17.25IN
- N. (1)-Plastic washer
- O. (1)-Bottom finial #XRF293DBFIN

