

CEILING FAN

MODEL VCA605LED-HEBK / VCA605LED-HEWH / VCA725LED-HEBK / VCA725LED-HEWH
 VCA608LED-HEBK / VCA608LED-HEWH / VCA728LED-HEBK / VCA728LED-HEWH

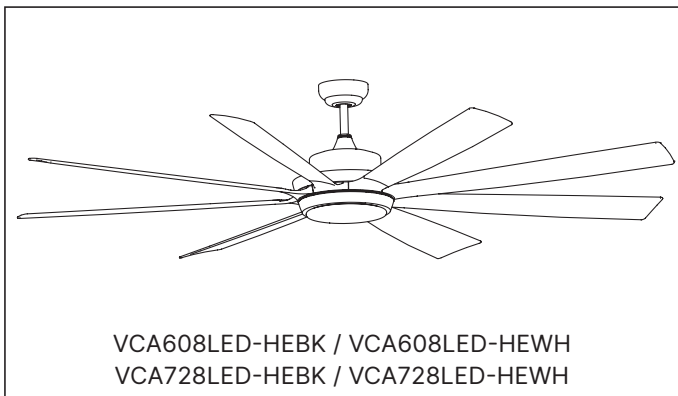
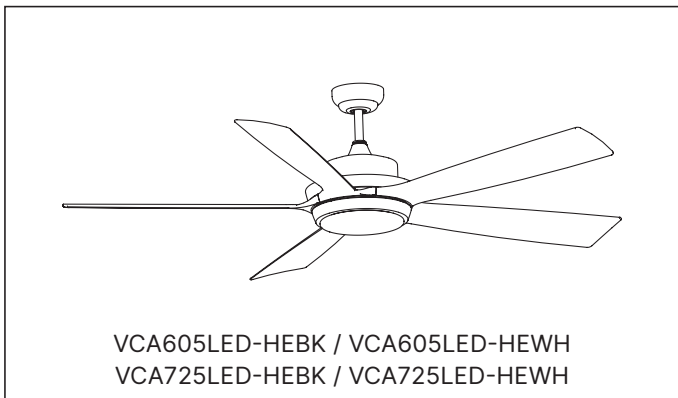


TABLE OF CONTENTS

SUPPLIED CONTENTS	2
GENERAL SAFETY INFORMATION	3
MOUNTING OPTIONS	4
HANGING YOUR FAN	5
ELECTRICAL CONNECTIONS	6
COMPLETING THE INSTALLATION	6
OPERATING YOUR REMOTE CONTROL AND FAN	8
CARE AND MAINTENANCE	9
TROUBLESHOOTING	10
DIMENSIONS	11
PRODUCT SPECIFICATIONS	11
WARRANTY	12

READ AND SAVE THESE INSTRUCTIONS

Address: 46101 Fremont Boulevard, Fremont, CA 94538

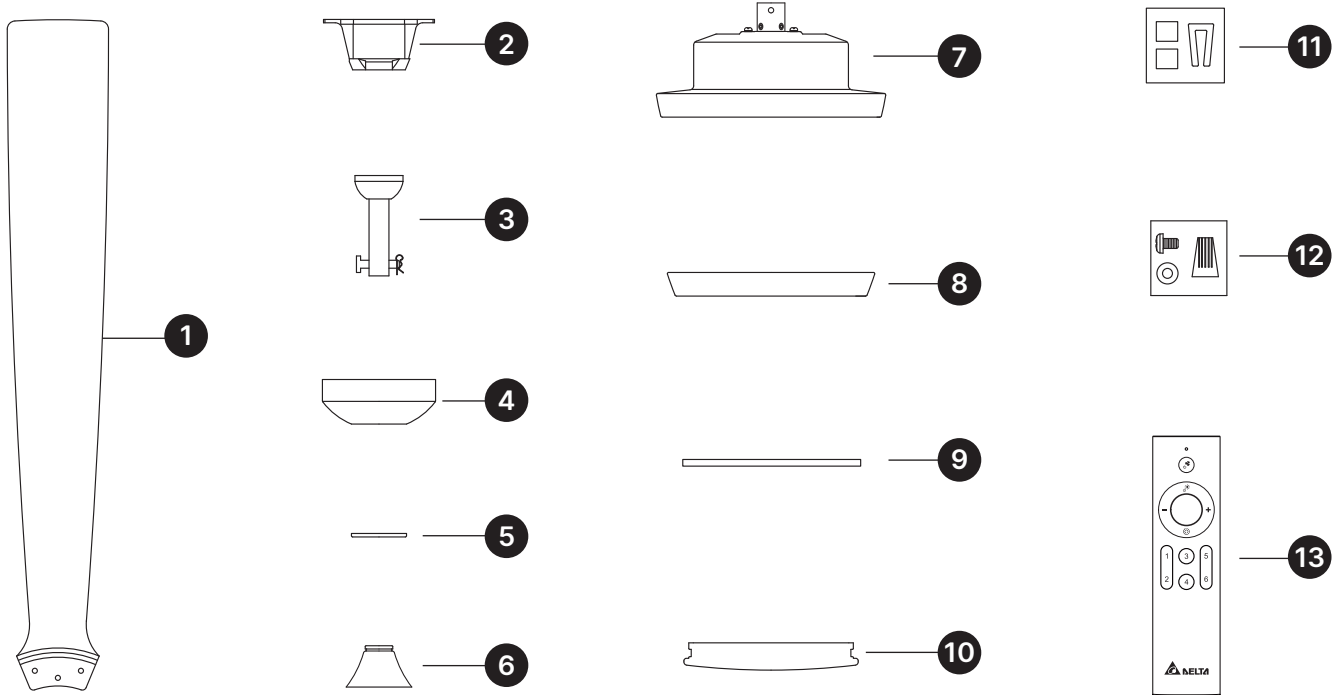
US Toll Free Number:

1-888-979-9889 – Technical Support

1-877-685-4384 – Customer Sales Support

www.deltabreez.com

SUPPLIED CONTENTS



MODEL		
VCA605LED-HEBK / VCA605LED-HEWH		
VCA725LED-HEBK / VCA725LED-HEWH		

PART	DESCRIPTION	QTY
1	Blades	5
2	Hanger Bracket	1
3	Hanger Ball/Down-rod assembly	1
4	Ceiling Canopy	1
5	Canopy Cover	1
6	Coupling Cover	1
7	Fan Motor Assembly	1
8	Light Kit Plate	1
9	LED Module	1
10	Glass Shade	1
11	Balance Kit	1
12	Attachment Hardware *16 Screws, *3 Plastic Wire Nuts	1
13	Remote Control	1

MODEL		
VCA608LED-HEBK / VCA608LED-HEWH		
VCA728LED-HEBK / VCA728LED-HEWH		

PART	DESCRIPTION	QTY
1	Blades	8
2	Hanger Bracket	1
3	Hanger Ball/Down-rod assembly	1
4	Ceiling Canopy	1
5	Canopy Cover	1
6	Coupling Cover	1
7	Fan Motor Assembly	1
8	Light Kit Plate	1
9	LED Module	1
10	Glass Shade	1
11	Balance Kit	1
12	Attachment Hardware *25 Screws, *3 Plastic Wire Nuts	1
13	Remote Control	1

GENERAL SAFETY INFORMATION

READ AND SAVE THESE INSTRUCTIONS GENERAL SAFETY INFORMATION

1. Make sure that the electric service supply voltage is AC 120V, 60Hz.
2. To avoid possible electric shock, turn off the electricity at the main fuse box or circuit panel before you begin the fan installation or before servicing the fan or installing accessories.
3. Use this unit only in the manner intended by the manufacturer. If you have questions, contact the manufacturer.
4. Make sure all electrical connections comply with local codes or ordinances as well as the National Electrical Code. If you are unfamiliar with electric wiring, please use a qualified and licensed electrician.
5. Make sure you have a location selected for your fan which allows clear space for the blades to rotate, and at least seven (7) feet of clearance between the floor and the fan blade tips.
6. Protect the power cord from sharp edges, oil, grease, hot surfaces, chemicals or other objects.
7. Do not kink the power cord.
8. Before servicing or cleaning unit, switch power off at service panel and lock the service disconnecting means to prevent power from being switched on accidentally. When the service disconnecting means cannot be locked, securely fasten a prominent warning device, such as a tag, to the service panel.
9. Do not use water or detergents when cleaning the fan or fan blades. A dry dust cloth or lightly dampened cloth will be suitable for most cleaning.

WARNING

TO REDUCE THE RISK OF FIRE, ELECTRIC SHOCK, OR INJURY TO PERSONS, OBSERVE THE FOLLOWING:

1. The outlet box and ceiling support joist used must be securely mounted, and capable of supporting at least 35 pounds. To reduce the risk of fire, electric shock, or personal injury, Use only UL-listed outlet boxes marked "Acceptable for Fan Support of 35 lbs.
2. To reduce the risk of personal injury use only approved hanging brackets and screws supplied with the outlet box for mounting to the outlet box.
3. After installation is complete, check that all connections are absolutely secure.
4. To reduce the risk of personal injury, do not bend the blade brackets when installing the brackets, balancing the blades, or cleaning the fan. Do not insert foreign objects in between rotating fan blades.
5. When cutting or drilling into the wall or ceiling, do not damage electrical wiring and other hidden utilities.
6. Do not attempt to control the operation of the fan (or an optional light kit) from any control that is not approved by Delta for use with its fans. The use of any unapproved control voids the fan's warranty.
7. Use only with light kits marked Suitable for use in wet locations.

MOUNTING OPTIONS

1. Disconnect the power by removing fuses or turning off circuit breakers.

CAUTION

TO AVOID POSSIBLE ELECTRICAL SHOCK, BEFORE INSTALLING YOUR FAN, DISCONNECT THE POWER BY TURNING OFF THE CIRCUIT BREAKERS TO THE OUTLET BOX.

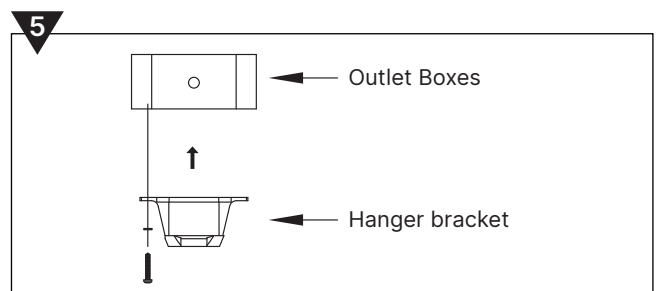
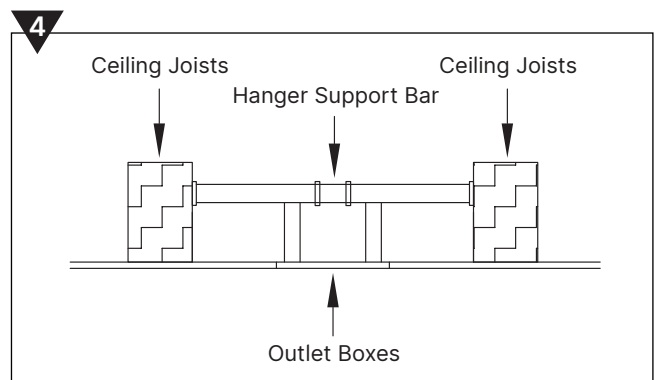
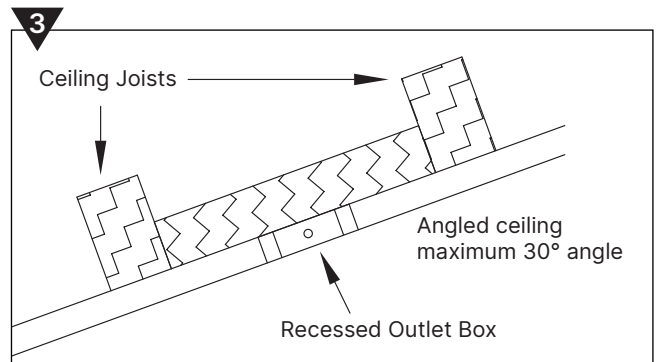
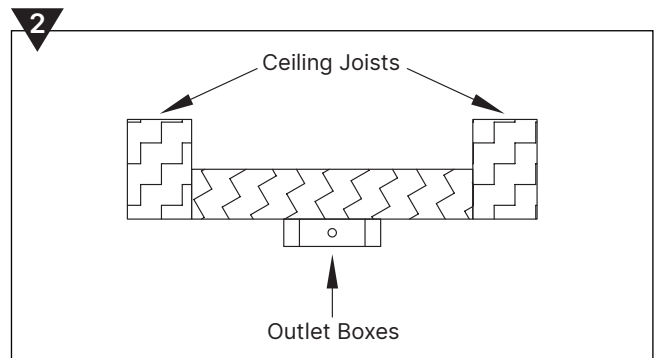
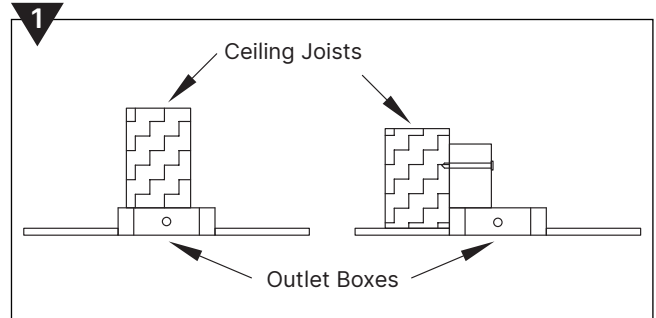
2. If there is an existing outlet box, ensure it is clearly marked "Suitable for Fan Support". If it is not so marked, it must be replaced with an approved one.
3. Secure the outlet box (or make sure the existing box is secured) directly to the building structure. Use appropriate fasteners and building materials.
4. Fig. 1, 2 and 3 are examples of different ways to mount the outlet box in different situations. A longer down-rod may be required in sloped ceiling situations to maintain proper blade clearance.
5. To hang the fan in locations where no ceiling joist is available, a hanger support bar may be required (Fig. 4). Use approved hanger support bars and outlet boxes. (Packaging doesn't include hanger support bars)
6. Before attaching hanger bracket to outlet box, ensure the outlet box is securely fastened by at least two points to a structural ceiling member (a loose box will cause the fan to wobble). Remove the two outlet box screws provided with the box, aligning the holes of the mounting bracket with the holes of the outlet box. Reinstall the 2 outlet box screws securely. (Fig. 5)

WARNING

To reduce the risk of fire, electric shock, or Personal Injury, mount to an outlet box marked 'Acceptable for Fan Support of 15.9 kg (35 lbs.) or more'. For outlet box mounting, use mounting screws provided with the outlet box.

CAUTION

TO REDUCE THE RISK OF PERSONAL INJURY, INSTALL THE PRIMARY MOUNTING MEANS AND USE ONLY THE HARDWARE PROVIDED WITH THE FAN.

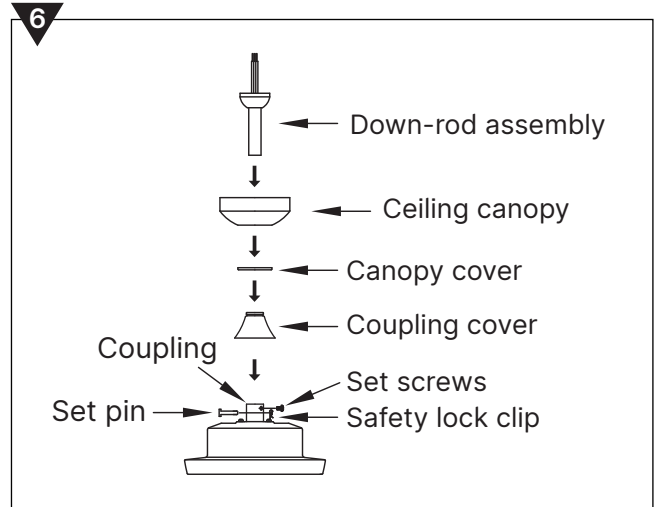


HANGING YOUR FAN

WARNING

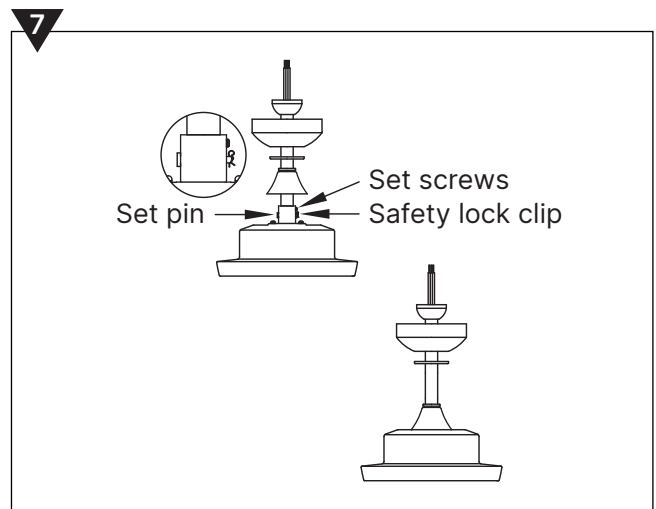
Do not attach the blades to the fan until it is assembled and hanging from the ceiling. Doing so beforehand will likely bend the blades and could cause the fan to wobble.

1. (Fig. 6) Remove the set pin and safety lock clip from down-rod. Slide the down-rod through the canopy, canopy cover, and coupling cover. Partially loosen the down-rod set screws from coupling at top of motor assembly. Thread lead wires from motor assembly through down-rod.

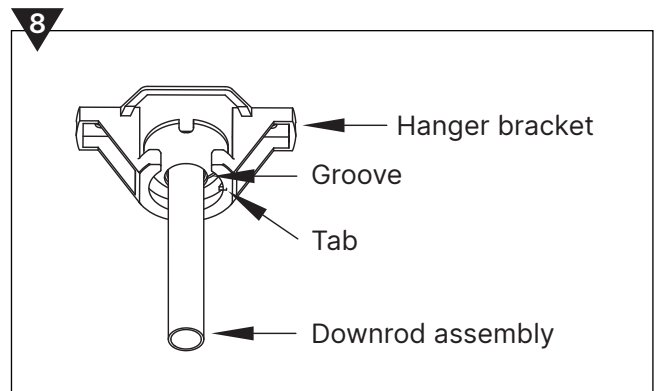


2. (Fig. 7) Install down-rod into motor housing coupling, aligning the holes and install set pin and safety lock clip. Insert set pin through coupling and down-rod until point appears on the other side, and insert safety lock clip on set pin. Pull the down-rod up tight against the set pin, and then evenly tighten the down-rod set screws on motor coupling. Place coupling cover on motor assembly.

Warning: set pin and safety lock clip must be installed securely, failure to install them will result in serious injury.



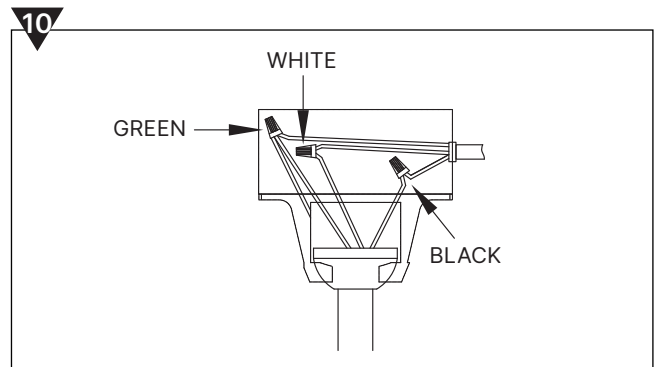
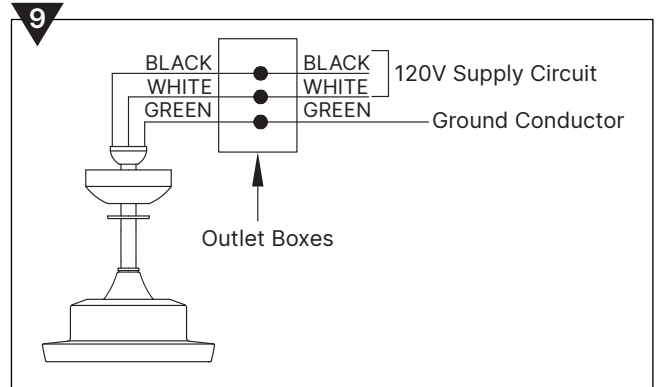
3. Lift the fan motor without the blades and place into the hanger bracket, rotating the ball until the groove engages the tab on the hanger bracket. This locks the ball mount and fan motor, preventing fan rotation during operation. (Fig. 8)



ELECTRICAL CONNECTIONS

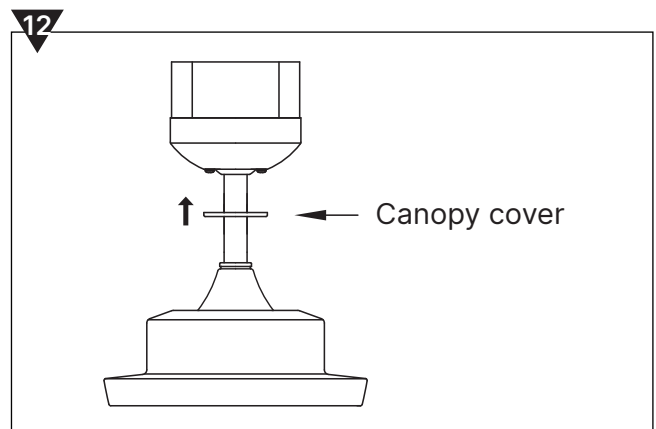
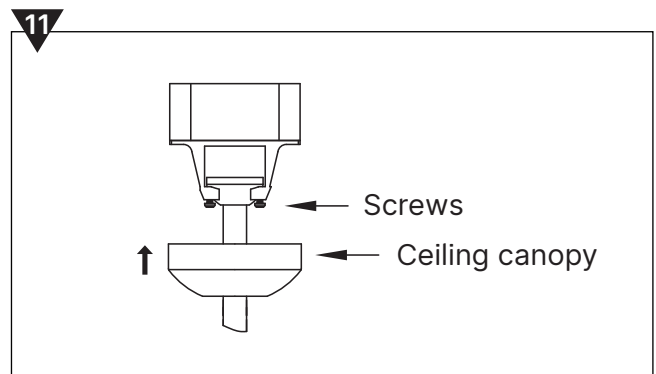
REMEMBER – Power should remain off!

1. Connect the fan supply (black) wire to the black household wire. (Fig. 9)
2. Connect the fan neutral (white) wire to the white household wire. (Fig. 9)
3. Connect the fan ground wire (green) to the household ground wire. (Fig. 9)
4. After connecting the wires, spread them apart so that the green and white wires are on one side of the outlet box and the black wires are on the other side. Turn the connecting nuts upward and push the wiring into the outlet box. (Fig. 10)



COMPLETING THE INSTALLATION

1. Make sure the wiring is safely inside the outlet box as instructed in Electrical Connections.
2. To install the ceiling canopy, loosen the 2 screws from the hanger bracket without fully removing them. Slide the ceiling canopy up to the hanger bracket through the large hole side and rotate the ceiling canopy so the 2 screws move into the small opening of the key-slot. Secure by tightening the two set screws. (Fig.11)
3. Securely attach and tighten the canopy cover over the screws in the hanger bracket, utilizing the key-slot twist-lock feature. (Fig.12)



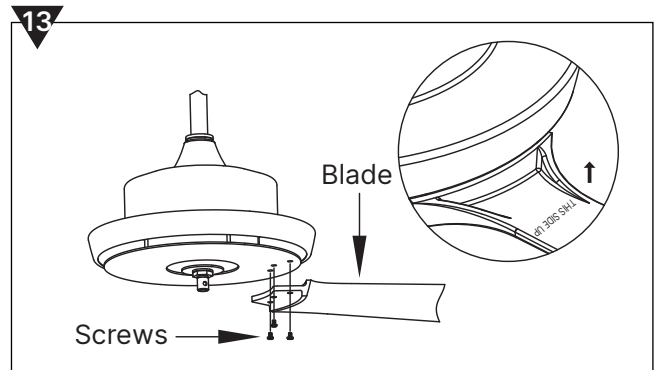
Note: Do not attempt to test the connections or the fan by turning the power on without installing the blades and light kit and pairing the remote.

COMPLETING THE INSTALLATION

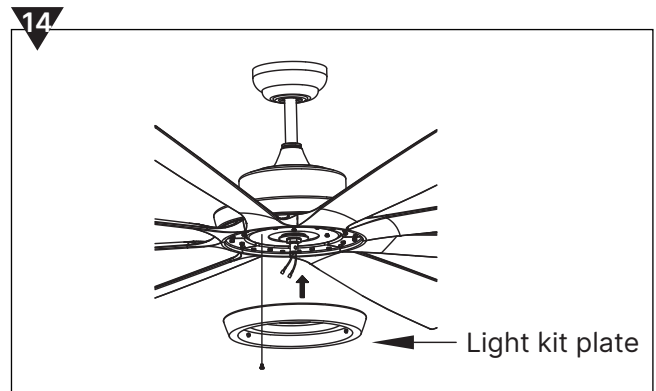
Note: Remove the eight rubber packing mounts from the fan motor assembly and discard prior to attaching the blade arms.

- Blade installation (Fig. 13), attach the fan blades to the blade holders by using three blade screws. Tighten screws securely. Repeat this step for the remaining blades.

Note: Make sure the side with a mark "This side up" is installed upward.

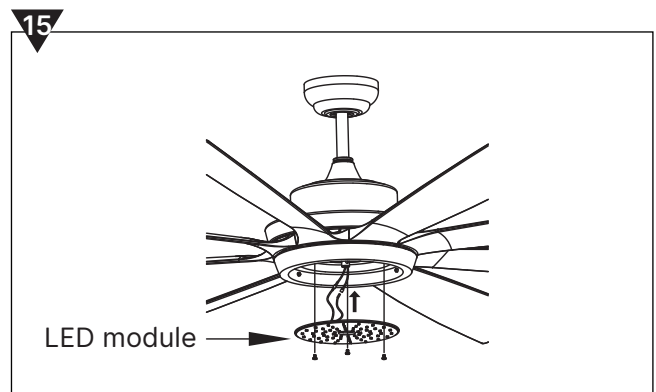


- Loosen 2 of the preassembled screws and remove 1 from the plate on the motor. Save this screw for later use. Align the keyhole slots on the light kit plate with the preassembled screws on the motor plate. Twist clockwise until it locks. Reinstall the screw that was removed. Tighten all screws securely. (Fig.14)



- Remove the three LED module screws on the light kit plate. Save screw for later use. Connect brown wire from fan to brown wire from LED module and then connect blue wire from fan to blue wire from LED module. Align the hole slots on the light kit plate with the hole slots on the LED module. Reinstall the screw that was removed. Tighten all screws securely. (Fig.15)

WARNING: Shut off the power supply before removing or replacing light kit.



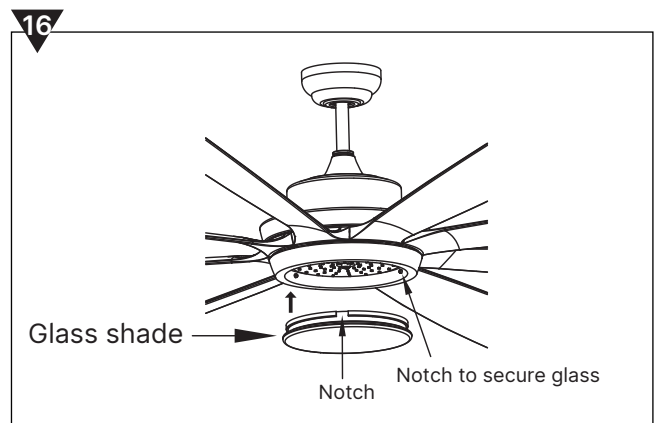
- Raise the glass shade up against light kit and make sure to align the notches on the glass with the notches on the light kit plate. Secure it to the fan by turning clockwise until snug. (Fig.16)

WARNING: Do not overtighten.

NOTE:

Total wattage consumed by the light kit is 20W and this fan is equipped with a wattage limiting device.

A certain amount of wobble may be considered normal, especially if the fan is on a down-rod long than 12".



OPERATING YOUR REMOTE CONTROL AND FAN

INSTALLING THE BATTERIES (Fig.17)

1. Remove the battery cover by pushing on the arrow direction and sliding the cover off.
2. Install two 1.5V AAA batteries (included).
3. Replace the battery cover on the remote control.

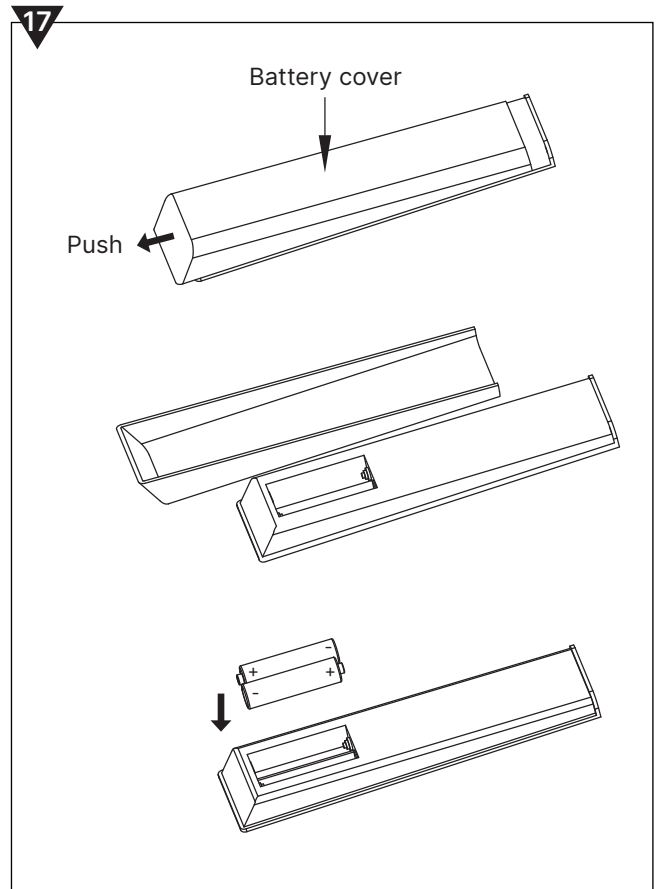
NOTE: The battery will weaken with age and should be replaced before corrosion takes place as this will damage the remote control. Dispose of the used battery properly and keep the battery out of the reach of children.

LEARNING PROCESS

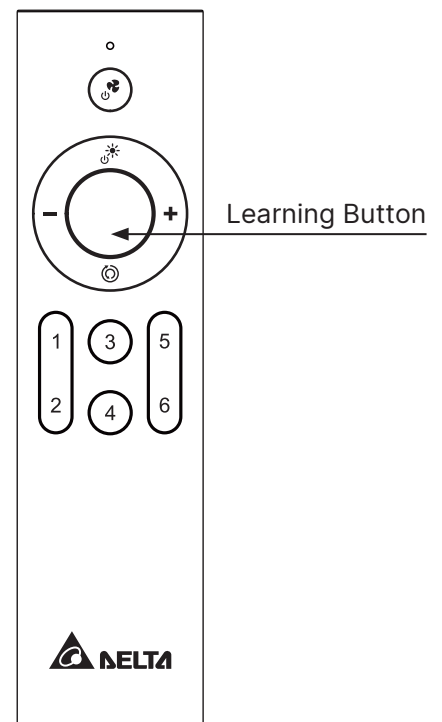
To use the remote control unit with your new fan, you must follow the steps below:

1. Turn the main power source off to begin the learning process.
2. Return the power to the unit.
3. Within 10 seconds of turning the fan's AC power ON, Press and hold the learning button for 5 seconds to enter the learning function.
4. Once the receiver has detected the set frequency, the light kit of your fan, will blink.

NOTE: The remote control can learn multiple receivers. Make sure no other receivers are operating during the learning process.



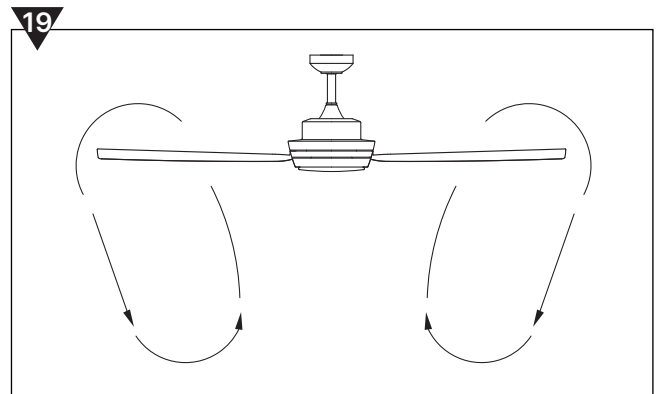
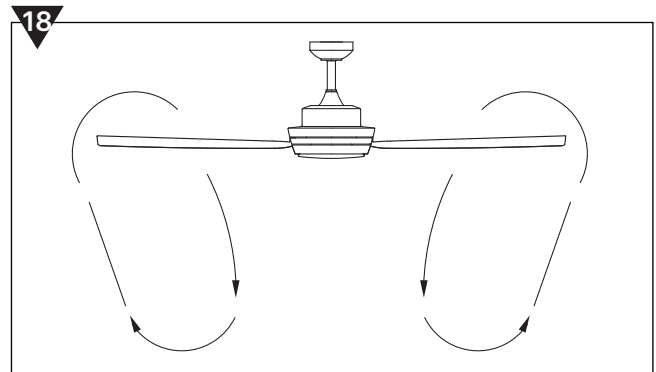
Button	Operating Instructions
	Fan button Press button to turn on the fan power Again press button to turn off the fan power
	Speed control button Press number button to fan speed
	Lighting button Press button to turn on the lighting power Again press button to turn off the lighting power
	Lighting control button Press - or + button to adjust light level
	Reverse button Press button to reverse or forward



OPERATING YOUR REMOTE CONTROL AND FAN

OPERATING THE FAN - Use your fan during summer and winter months.

1. In summer, using the reverse switch, adjust the fan's direction in a counter-clockwise direction, so cool air is blowing down, producing a cooling breeze. (Fig.18)
2. In winter, reverse the fan to move in a clockwise direction so that an upward airflow will push warm air off the ceiling and circulate it downwards into the living area. (Fig.19)



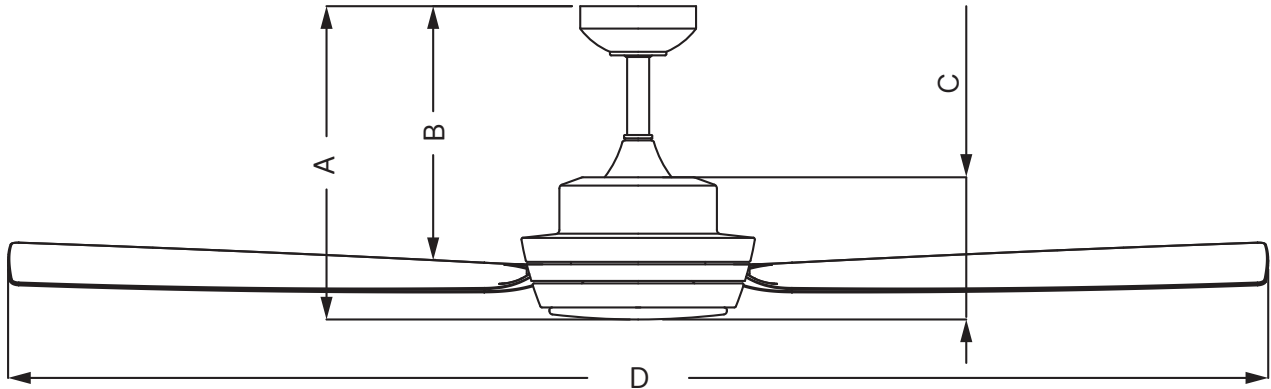
CARE AND MAINTENANCE

1. Periodically check the tightness of all screws securing the blades to the blade arm attachment points. A clicking or a rattling noise is a sure indication of loosening screws. Since screws will invariably work loose over time, at least once a year, tighten all the screws attaching blades to blade arms. Do not bend the blades and blade arms when cleaning or servicing the fan.
2. If a light kit is attached to the fan, likewise check that all screws attaching glass to metal fitters are finger tight. Do not use a screwdriver or pliers to tighten glass screws.
3. Never use solvents, thinner or harsh chemicals when cleaning the fan. Use a lint-free cloth with clean water to clean blades.
4. You will never need to oil or lubricate your fan. Its permanently sealed bearings will provide trouble free, silent operation for many years.
5. If repairs or servicing are ever required, to avoid possible electric shock, turn off the electricity at the main fuse or circuit panel before you begin.
6. Do not allow water to enter the motor.
7. Do not immerse metal parts in water.

TROUBLESHOOTING

PROBLEM	CORRECTIVE ACTION
The fan will not start	<ol style="list-style-type: none"> 1. Check that the electricity has been turned on at the circuit breaker which had probably been turned off during installation. 2. Turn off the electricity. Check all connections in the wiring of the fan at the ceiling and make sure it follows the wiring instructions outlined in this manual.
The fan is noisy	<ol style="list-style-type: none"> 1. Tighten all screws attaching blades to blade arms. Remember to tighten these screws at least once a year because they may loosen slowly over time and cause a clicking noise. 2. Turn off the power. Loosen the canopy and check that the wiring and/or wire nut connectors are not resting against the canopy, possibly vibrating while the fan is on. 3. Use of a standard light rheostat or an unapproved fan wall control to control the fan speed will always cause an annoying "hum". Many fan motors do not work quietly with solid state variable speed controls. 4. Check that the rubber gasket on the mounting bracket has been installed if called for in the installation instructions. 5. Check that the canopy is not touching the ceiling. 6. Check that all screws on the motor housing and the bottom housing are tight. <p>Note: Always allow a day or two "run-in" time for any new fan at medium or high speed. When attempting to diagnose noise, listen carefully from several sides to try and isolate the location of the noise (blade, upper end, motor, light kit, etc.)</p>
The fan turns, but does not move much air	<ol style="list-style-type: none"> 1. The fan may be running in reverse. 2. The distance from the ceiling to the blades may be too small. For down-rod fans, optimal placement would be 8-9 feet from the floor. 3. The room may contain items which obstruct the air flow. 4. The fan may be too small for the size of the room.
The fan wobbles	<ol style="list-style-type: none"> 1. Make certain all blades are tightly attached to each blades' respective blade arm. 2. Make certain that the hanger ball is locked into the hanger bracket tab by turning the housing to see if there is any movement. <p>Note: A small amount of wobble is considered acceptable and should not be considered a defect.</p>

DIMENSIONS



Model No.	A	B	C	D
VCA605LED-HEBK / VCA605LED-HEWH VCA608LED-HEBK / VCA608LED-HEWH	15"	12.7"	6.7"	60"
VCA725LED-HEBK / VCA725LED-HEWH VCA728LED-HEBK / VCA728LED-HEWH	15"	12.7"	6.7"	72"

PRODUCT SPECIFICATIONS

Model No.	Motor Type	Size (in)	Number of Blades	Speed (RPM)	Airflow (CFM)	Power Consumption (Watts)	Light
VCA605LED-HEBK VCA605LED-HEWH	DC	60	5	120	6400	21	20W
VCA608LED-HEBK VCA608LED-HEWH	DC	60	8	100	6100	18	20W
VCA725LED-HEBK VCA725LED-HEWH	DC	72	5	90	7900	22	20W
VCA728LED-HEBK VCA728LED-HEWH	DC	72	8	75	7200	19	20W

Note: Design and specifications subject to change without notice.

WARRANTY

DELTA ELECTRONICS LIMITED WARRANTY

Delta Electronics Inc. ("Delta Electronics") warrants to the original consumer purchaser in the USA that the Breez fan products will be free from defects in material or workmanship. This warranty gives you specific legal rights.

Limitations and Exclusions

1. During the warranty period, a replacement for any defective product will be supplied free of charge for installation by the consumer. The warranty provided herein does not cover charges for labor or other costs incurred in the troubleshooting, repair, removal, and installation service.
2. All returns of defective parts or products must include the product model number, and must be made through an authorized Delta Electronics distributor. Authorized returns must be shipped prepaid. Repaired or replacement products will be shipped by Delta Electronics F.O.B. shipping point.
3. Delta Electronics shall not be liable for any indirect, incidental, consequential, punitive, or special damages arising out of or in connection with products use or performance, regardless of the form of action whether in contract, tort (including negligence), strict product liability or otherwise.
4. The warranty does not cover if user does not comply with manufacturer's installation manual.
5. To qualify for warranty service, you must notify Delta Electronics at the address or telephone number below.
6. Damage resulting from the application of any exterior coating, or by the addition of any unapproved accessories.
7. Minor occurrences of wobble are accepted as normal and should not necessarily be considered a defect.
8. Damage resulting from accident, misuse, abuse, or neglect.

LENGTH OF THE WARRANTY

1. For the fan motor - for the lifetime of the original purchaser.
2. For other fan parts - three years from the date of purchase.

Address: 46101 Fremont Boulevard, Fremont, CA 94538

US Toll Free Number:

1-888-979-9889 – Technical Support

1-877-685-4384 – Customer Sales Support

www.deltabreez.com