


**Full Speed 6" duct:**

 80 CFM/0.5 Sones @ 0.1" SP, 7 Watts  
 59 CFM/0.9 Sones @ 0.25" SP, 9 Watts

**Full Speed 4" duct:**

 80 CFM/0.8 Sones @ 0.1" SP, 8 Watts  
 63 CFM/1.3 Sones @ 0.25" SP, 9.5 Watts

**Full Speed 6" duct:**

 110 CFM/0.7 Sones @ 0.1" SP, 10.3 Watts  
 90 CFM/1.0 Sones @ 0.25" SP, 13 Watts

**Full Speed 4" duct:**

 110 CFM/1.2 Sones @ 0.1" SP, 12.5 Watts  
 92 CFM/2.0 Sones @ 0.25" SP, 14 Watts


### Description

Low noise ceiling mount ventilating fan rated for continuous running. Fan has been awarded ENERGY STAR® Most Efficient. It is HVI, UL, and cUL certified to comply with ASHRAE 62.2 local and whole building continuous and intermittent operation. Meets CA Title 24 requirements.

### DC Motor/Blower

- Power rating of 120 volts/60Hz
- Motor equipped with thermal cutoff fuse
- Removable with permanently lubricated plug-in motor
- Full speed adjustable, 80 or 110 CFM
- Allows fan to operate in full speed mode or continuous low speed mode by manual switch
- For continuous low speed mode, the fan runs continuously at a user-preset lower level (0, 50, 80 CFM)
- Delay time preset positions (0.5, 5, 15, 30, 45, or 60 min)
- Full speed adjustable, 80 or 110 CFM
- Built-in soft start function increases bearing life
- Automatically powers OFF if impeller is locked abnormally

### Housing

- Galvanized steel body
- Detachable 6" diameter metal duct adapter
- Includes 6" to 4" duct reducer
- Built-in backdraft damper
- Easy installation with expandable extension bracket and foldable mounting bracket

### Grille

- Attractive design using ABS material
- Attaches directly to housing with torsion springs

### LED Indicator

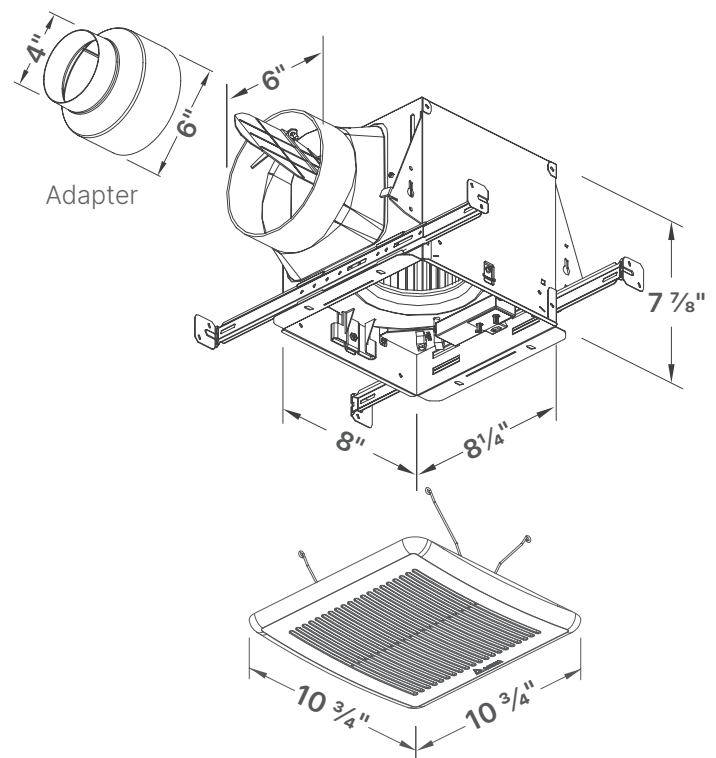
- Green and amber LED indicator lights show continuous low speed and full speed modes on

### Warranty

- 3-Year limited warranty

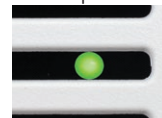
### TYPICAL SPECIFICATION

The ventilation fan ELT80-110D features a Brushless DC Motor engineered to run continuously for a minimum of 70,000 hours. With a standard 6" duct, it boasts an airflow rating of 110 CFM and a sound rating of 0.7 Sones at 0.1" static pressure, certified by the Home Ventilating Institute (HVI). The fan operates with a power consumption of 10.3 Watts and achieves an efficiency rating of 10.6 CFM/Watt at 0.1" static pressure. Additionally, it includes motor lock protection and self-compensating motor speed to maintain intended airflow when encountering static pressure. The ELT80-110D is UL and cUL listed for use in tub/shower enclosures when connected to GFCI-protected branch circuit wiring.



### LED Indicator

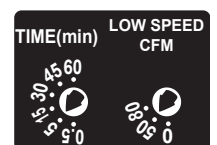
Low Speed



Full Speed



### Built-in Control

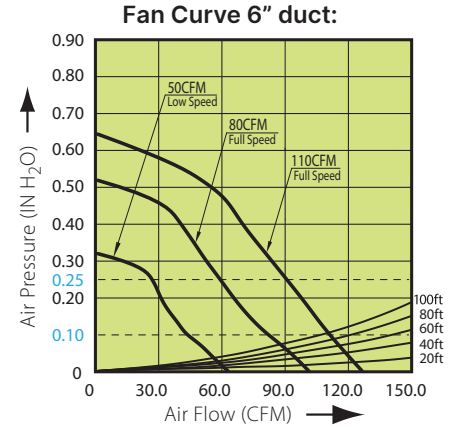




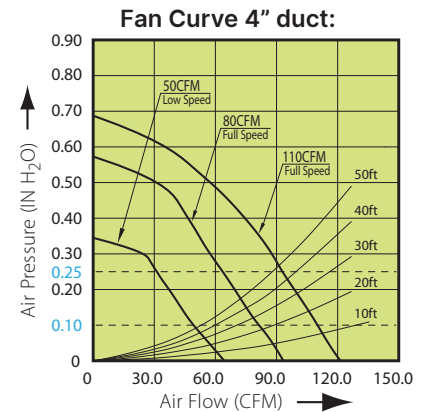
**MODEL ELT80-110D**

(Fan with Dual Speed – 80/110 CFM)

<b>BreezElite ELT80-110D</b>		6" Duct Standard							
Fan Speed	Continuous Low Speed				Full Speed				
Static Pressure (Inches w.g.)	0.1	0.25	0.1	0.25	0.1	0.25	0.1	0.25	
Air Flow (CFM)	50	32	80	59	80	59	110	90	
Sones	<0.3	0.8	0.5	0.9	0.5	0.9	0.7	1.0	
Power (Watts)	5	6	7	9	7	9	10.3	13	
Energy Efficiency (CFM/Watts)	10	5.3	11.4	6.5	11.4	6.5	10.6	6.9	
Current (Amps)	0.27 Max.								
Power Rating (V/Hz)	120 / 60								



<b>BreezElite ELT80-110D</b>		4" Duct Standard							
Fan Speed	Continuous Low Speed				Full Speed				
Static Pressure (Inches w.g.)	0.1	0.25	0.1	0.25	0.1	0.25	0.1	0.25	
Air Flow (CFM)	50	32	80	63	80	63	110	92	
Sones	0.5	1.0	0.8	1.3	0.8	1.3	1.2	2.0	
Power (Watts)	5	6	8	9.5	8	9.5	12.5	14	
Energy Efficiency (CFM/Watts)	10	5.3	10	6.6	10	6.6	8.8	6.5	
Current (Amps)	0.27 Max.								
Power Rating (V/Hz)	120 / 60								



Models	Quantity	Comments	Project:
			Location:
			Architect:
			Engineer:
			Contractor:
			Submitted by:
			Date: