



MODEL ELT80-110HLED

(Fan/Dimmable LED Light with Humidity Sensor 80/110 CFM)



Full Speed 6" duct:

80 CFM/0.5 Sones @ 0.1" SP, 7 Watts
59 CFM/0.9 Sones @ 0.25" SP, 9 Watts

Full Speed 4" duct:

70 CFM/0.7 Sones @ 0.1" SP, 7.5 Watts
52 CFM/1.2 Sones @ 0.25" SP, 9 Watts

Full Speed 6" duct:

110 CFM/0.7 Sones @ 0.1" SP, 10.3 Watts
89 CFM/1.0 Sones @ 0.25" SP, 13 Watts

Full Speed 4" duct:

100 CFM/1.0 Sones @ 0.1" SP, 11.5 Watts
82 CFM/1.5 Sones @ 0.25" SP, 13 Watts



Description

Low noise ceiling mount ventilating fan rated for continuous running. Fan has been awarded ENERGY STAR® Most Efficient. It is HVI, UL, and cUL certified to comply with ASHRAE 62.2 local and whole building continuous and intermittent operation. Meets CA Title 24 requirements.

DC Motor/Blower

- Power rating of 120 volts/60Hz
- Motor equipped with thermal cutoff fuse
- Removable with permanently lubricated plug-in motor
- Full speed adjustable, 80 or 110 CFM
- For humidity control mode, when humidity is above the user adjustable set-point, fan runs at full speed. When humidity is below the set-point, the fan runs continuously at a pre-set lower level (0, 50 or 80 CFM)
- Adjustable humidity set points between ~50% to ~80% RH
- Built-in soft start function increases bearing life
- Automatically powers OFF if impeller is locked abnormally

Housing

- Galvanized steel body
- Detachable 6" diameter metal duct adapter
- Includes 6" to 4" duct reducer
- Built-in backdraft damper
- Easy installation with expandable extension bracket and foldable mounting bracket

Grille

- Attractive design using ABS material
- Attaches directly to housing with torsion springs

Light

- 13-Watt LED Light output 850 Lumens, 3000K, 90CRI
- Dimmable Lighting (dimmbale switch not included)

LED Indicator

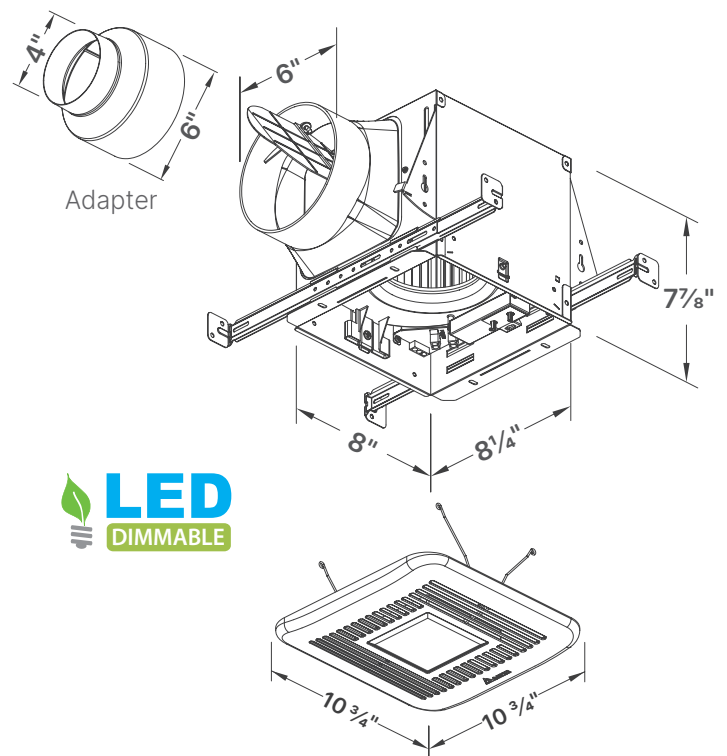
- The blue and amber LED indicator lights indicate the humidity sensor and full-speed modes are active

Warranty

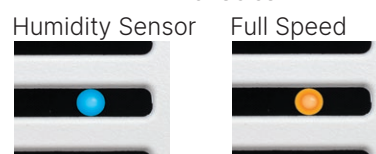
- 3-Year limited warranty

TYPICAL SPECIFICATION

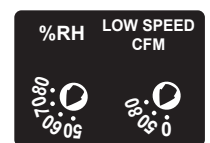
The ventilation fan ELT80-110HLED features a Brushless DC Motor engineered to run continuously for a minimum of 70,000 hours. With a standard 6" duct, it boasts an airflow rating of 110 CFM and a sound rating of 0.7 Sones at 0.1" static pressure, certified by the Home Ventilating Institute (HVI). The fan operates with a power consumption of 10.3 Watts and achieves an efficiency rating of 10.6 CFM/Watt at 0.1" static pressure. Additionally, it includes motor lock protection and self-compensating motor speed to maintain intended airflow when encountering static pressure. The ELT80-110HLED is UL and cUL listed for use in tub/shower enclosures when connected to GFCI-protected branch circuit wiring.



LED Indicator



Built-in Control

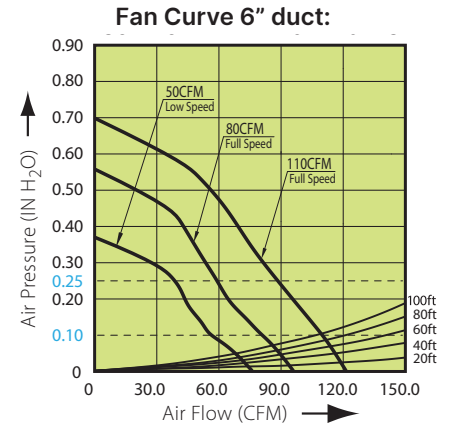




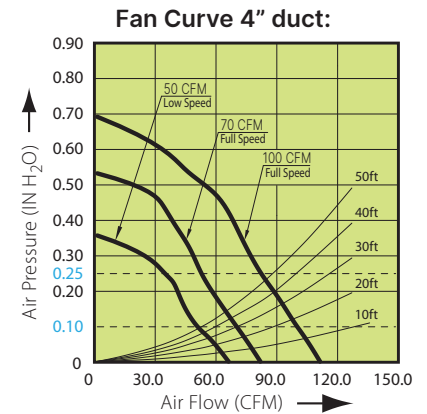
MODEL ELT80-110HLED

(Fan/Dimmable LED Light with Humidity Sensor 80/110 CFM)

| BreezElite ELT80-110HLED | | 6" Duct Standard | | | | | | | |
|---------------------------------|----------------------|------------------|------|------|------------|------|------|------|--|
| Fan Speed | Continuous Low Speed | | | | Full Speed | | | | |
| Static Pressure (Inches w.g.) | 0.1 | 0.25 | 0.1 | 0.25 | 0.1 | 0.25 | 0.1 | 0.25 | |
| Air Flow (CFM) | 50 | 35 | 80 | 59 | 80 | 59 | 110 | 89 | |
| Sones | 0.3 | 0.8 | 0.5 | 0.9 | 0.5 | 0.9 | 0.7 | 1.0 | |
| Power (Watts) | 5 | 6 | 7 | 9 | 7 | 9 | 10.3 | 13 | |
| Energy Efficiency (CFM/Watts) | 10 | 5.8 | 11.4 | 6.5 | 11.4 | 6.5 | 10.6 | 6.8 | |
| Current (Amps) | 0.28 Max. | | | | | | | | |
| Power Rating (V/Hz) | 120 / 60 | | | | | | | | |
| Light (Watts/Lumens) | 13 / 850 | | | | | | | | |



| BreezElite ELT80-110HLED | | 4" Duct Standard | | | | | | | |
|---------------------------------|----------------------|------------------|-----|------|------------|------|------|------|--|
| Fan Speed | Continuous Low Speed | | | | Full Speed | | | | |
| Static Pressure (Inches w.g.) | 0.1 | 0.25 | 0.1 | 0.25 | 0.1 | 0.25 | 0.1 | 0.25 | |
| Air Flow (CFM) | 50 | 34 | 70 | 52 | 70 | 52 | 100 | 82 | |
| Sones | 0.5 | 1.0 | 0.7 | 1.2 | 0.7 | 1.2 | 1.0 | 1.5 | |
| Power (Watts) | 5 | 6 | 7.5 | 9 | 7.5 | 9 | 11.5 | 13 | |
| Energy Efficiency (CFM/Watts) | 10 | 5.6 | 9.3 | 5.7 | 9.3 | 5.7 | 8.7 | 6.3 | |
| Current (Amps) | 0.28 Max. | | | | | | | | |
| Power Rating (V/Hz) | 120 / 60 | | | | | | | | |
| Light (Watts/Lumens) | 13 / 850 | | | | | | | | |



| Models | Quantity | Comments | Project: |
|--------|----------|----------|---------------|
| | | | Location: |
| | | | Architect: |
| | | | Engineer: |
| | | | Contractor: |
| | | | Submitted by: |
| | | | Date: |