

- |   |   |
|---|---|
| A - Gypsum (Thickness may vary)                       | F - Finish Flooring                                       |
| B - Resilient Channel (Refer to Floor/Ceiling Design) | G - Damper Supports                                       |
| C - Wood Joist/Wood Truss (Minimum 18")               | H - Support Braces  |
| D - Sub-Flooring (Thickness may vary)                 | I - Picture Frame and Grille Location                     |
| E - Vapor Barrier                                     | J - Delta Breez GBR-CRD Damper and GreenBuilder/Elite Fan |

For fan models: **VFB050C4L1, VFB050C4A1, VFB080C4L1, VFB080C4A1, GBR50L, GBR50, GBR80L, GBR80LED, GBR80, GBR80H, GBR80HL, GBR80MHL, GBR80MHLED, GBR80HLED, GBR100L, GBR100H, GBR100HL, GBR100MHL, GBR100, GBR100LED, GBR100HLED, ELT80-110, ELT80-110LED, ELT80-110D, ELT80-110DLED, ELT80-110H, ELT80-110HLED, ELT80-110MH, ELT80-110MHLED.**

1. Install the damper to the ventilation fan. The damper sleeve should align with four holes on the fan housing. Secure the sleeve using the supplied #12 screws.
2. For a damper used with a fan equipped with a grille light, route the wire from the grille through the notch on the damper frame. Use the supplied bracket to secure the wire to the damper frame. Attach the bracket to the frame as seen in Figure 3 using one of the supplied #8-18 screws.
3. If fan is not equipped with a lighted grille this bracket is to be installed as seen in Figure 2. Ensure that the bracket covers the notch in the frame. Prior to the gypsum ceiling being placed, install the fan supports (G) 11-3/4" on center at the location of the damper and fan assembly. The supports consist of two pieces of 2x4's; one piece is to be cut to the truss/joist height, the second is to be cut per the following equation.

$$\text{Support Length} = 5 \frac{9}{16} - \text{Resilient Channel Height}$$

4. The second supports are optional. An alternate installation using only first supports cut to the truss/joist height.
5. The supports are to be flush mounted to the bottom of the joist/truss and secured using at minimum 2" wood screws. Sizes for the fan supports are based on the presence of a resilient channel, please refer to the appropriate UL floor/ceiling design. For reference:
6. Install the fan support braces (H) on the fan/damper assembly.
7. Position the fan/damper assembly in the ceiling construction so that the fan support braces (H) mount flush with the fan support 2x4's installed in step 3. Drive in the 6D nails at the ends of the fan support braces (H) into the 2x4's to secure the assembly in the ceiling.
8. Secure the supplied plaster ground angles to the damper sleeve using the pre drilled holes in the sleeve. No. 8 screws are supplied.
9. After the gypsum ceiling has been installed the picture frame (I), supplied with dampers, can be secured to the assembly utilizing at minimum 2" long, No. 6 sheet metal screws, drill pilot holes if necessary. Use one screw per side centered along the mounting strip.
10. Install the fan's grille according to the standard fan installation documents.

Installation is valid for the following UL rated wood truss ceilings: L521, L546, L558, L562, L574, L576, L581, L583, L585, P522, P533, P538, and P545

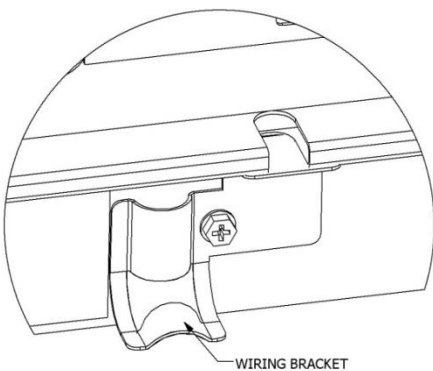


FIG. 2 - FAN WITHOUT LIGHT

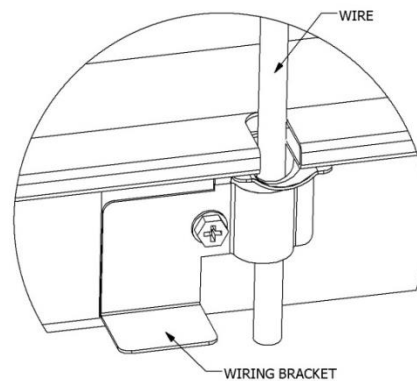


FIG. 3 - FAN WITH LIGHT

