



Delta BreezGreenBuilder

Perfectly quiet. Perfectly green.

Delta BreezGreenBuilder Series

GBR80*	80 CFM Fan Single Speed	
GBR80H	80 CFM Fan with Humidity Sensor	
GBR80HLED	80 CFM Fan/Dimmable LED light with Humidity Sensor	
GBR80LED	80 CFM Fan/Dimmable LED Light	
GBR100*	100 CFM Fan Single Speed	
GBR100H	100 CFM Fan with Humidity Sensor	
GBR100LED	100 CFM Fan/Dimmable LED Light	
GBR100LED-DECOR	100 CFM Fan/Dimmable LED Light	

The Builders' choice for green construction

Delta BreezGreenBuilder fans mark a new achievement in bathroom ventilation for green construction. Built upon market-leading energy efficiency, exceptionally low power consumption and virtually silent operation, the adds feature options of LED main light, adjustable humidity sensing and speed control, and a 100 CFM model. Additionally, the models have enhanced performance at 0.25" static pressure. Breez GreenBuilder stays true to what has made the GreenBuilder series a winning value proposition for builders and contractors: a reliable Delta brushless DC motor, compact lightweight design for quick installation, and performance ratings that far surpass building requirements... all at an affordable price.

Project Pack Components*

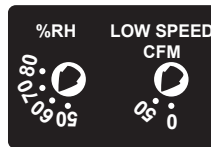
GBR-A	GreenBuilder Housing for Fan Only
GBR80-B	80 CFM Motor/Grille
GBR100-B	100 CFM Motor/Grille



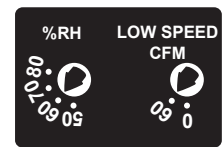
* Project Pack components are sold in quantities of three

	Delta Breez	Market AC Motor
Energy Use (Watts)	10.5	26.9
Noise Level (Sones)	0.8	1.5
Annual Energy Cost per Fan (24/7) ¹	\$11.04	\$28.27

1. Calculations based upon U.S. average retail electricity. Actual results may vary
 2. Based upon BreezGreenBuilder GBR80 vs. market AC motor fan
 3. Based upon ENERGY STAR criteria for residential ventilating fans



Built-in Controls
GBR80H and GBR80HLED



Built-in Controls
GBR100H

Innovative brushless DC motor design for long life, low noise, and low power consumption

- Energy savings up to 61%²
- 0.8 sones - lowest tested noise level available for bath fans
- Exceeds ENERGY STAR® requirement by 172% in energy efficiency³
- Available in contractor packs

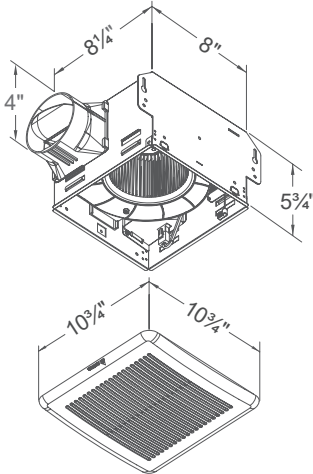


Specifications

Delta BreezGreenBuilder
Perfectly quiet. Perfectly green.

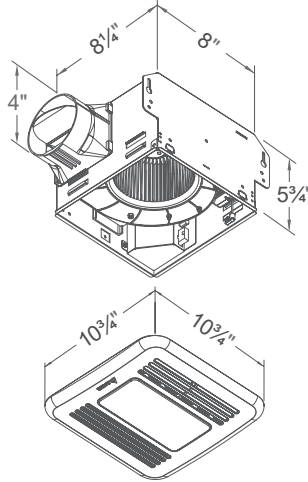
The Builders' choice for green construction. Designed for easy retrofit and new construction.

Fan Housing for
GBR80, GBR80H,
GBR100 and GBR100H



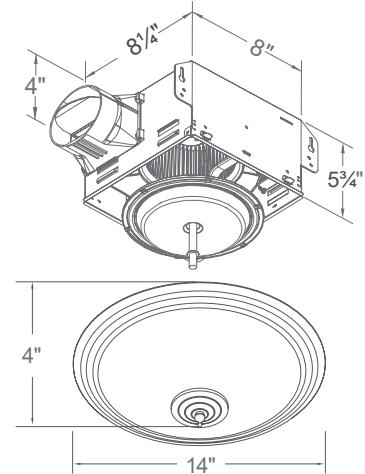
Grille for Fan Only

Fan/LED Light Housing for
GBR80LED, GBR80HLED,
and GBR100LED



Grille for Fan/LED Light

Fan/LED Light Housing for
GBR100LED-DECOR



Grille for GBR100LED-DECOR

Delta BreezGreenBuilder	GBR80		GBR80H		GBR80LED		GBR80HLED		GBR100		GBR100H		GBR100LED		GBR100LED-DECOR							
Fan Speed	Full Speed		Continuous Low Speed		Full Speed		Full Speed		Full Speed		Continuous Low Speed		Full Speed		Full Speed							
Static Pressure (Inches w.g.)	0.1	0.25	0.1	0.25	0.1	0.25	0.1	0.25	0.1	0.25	0.1	0.25	0.1	0.25	0.1	0.25	0.1	0.25				
Air Flow (CFM)	80	64	50	35	80	64	80	63	50	33	80	63	100	77	60	42	100	77	100	72	100	72
Sones	0.8	1.5	<0.3	1.0	0.8	1.5	0.8	1.5	0.5	1.0	0.8	1.5	1.4	1.5	0.5	0.7	1.4	1.5	1.5	1.5	1.5	2.0
Power Consumption (Watts)	10.5	12.5	4.0	6.0	9.7	11.8	11	13	4.4	6.0	11	13	12.6	13.5	4.9	6.3	12.6	13.5	13.6	11.6	13	12.5
Energy Efficiency (CFM/Watt)	7.6	5.1	12.5	6.1	8.2	5.4	7.2	4.8	11.3	5.5	7.2	4.8	7.9	5.7	12.2	6.6	7.9	5.7	7.3	6.2	7.6	5.7
Current (Amps)	0.21 Max		0.22 Max		0.33 Max		0.33 Max		0.22 Max		0.24 Max		0.35 Max		0.32 Max							
Power Rating (V/Hz)	120/60																					
Mounting Opening	8 1/4" x 8"																					
Mounting Depth	5 3/4"																					
Duct Diameter	4"																					
Grille Size	10 3/4" x 10 3/4"		10 3/4" x 10 3/4"		10 3/4" x 10 3/4"		10 3/4" x 10 3/4"		10 3/4" x 10 3/4"		10 3/4" x 10 3/4"		10 3/4" x 10 3/4"		10 3/4" x 10 3/4"		14"					
Lamp (Watts)	N/A		N/A		13		13		N/A		N/A		13		13							
Lamp Style	N/A		N/A		LED Module		LED Module		N/A		N/A		LED Module		LED Module							
Automatic Operation	N/A		Yes (humidity)		N/A		Yes (humidity)		N/A		Yes (humidity)		N/A									
Dual Speed Operation	N/A		Yes (humidity)		N/A		Yes (humidity)		N/A		Yes (humidity)		N/A									
Color Temperature	N/A		N/A		3000 K		3000 K		N/A		N/A		3000 K		3000 K							
Lumens	N/A		N/A		850		850		N/A		N/A		850		950							
Shipping Gross Weight (Lbs)	7.0		7.2		7.5		8.6		7.0		7.6		8.8		13							
cUL Tub/Shower Enclosure	YES																					
California Title 24 Compliant	YES																					
Mfg in ISO 9001 Certified Factory	YES																					
ENERGY STAR® Qualified	YES																					
Warranty (Years)	3																					

Design and specifications subject to change without notice.



46101 Fremont Blvd., Fremont, CA 94538
tel 1.888.979.9889 | www.deltabreez.com



Delta BreezGreenBuilder Series - 05/22