



**4" Duct (Standard):**  
100 CFM/1.5 Sones @ 0.1" SP, 17.0 Watts  
84 CFM/2.0 Sones @ 0.25" SP, 20.0 Watts



### Description

Low noise ceiling mount ventilating Fan/LED Light rated for continuous running. Fan has been awarded ENERGY STAR® qualified. It is HVI, UL and cUL certified, and can be used to comply with ASHRAE 62.2 (local and whole building continuous and intermittent operation).

### DC Motor/Blower

- Power rating of 120 volts/60Hz
- Brushless DC motor engineered to run continuously
- Motor equipped with thermal cutoff fuse
- Removable with permanently lubricated plug-in motor
- Built-in soft start function to increase bearings' life
- Automatically powers OFF when impeller is locked abnormally
- Self-compensating motor speed for intended airflow when static pressure is encountered

### Housing

- Galvanized steel body
- Detachable 4" diameter plastic duct adapter
- Built-in backdraft damper
- Easy installation

### Grille

- Attractive design integrating with LED lighting
- Attaches directly to housing with torsion springs

### Light

- 13-Watt LED
- Light output 1000 Lumens, 3000K
- Dimmable Lighting (dimmer switch not included)
- 13-Watt integrated dimmable edge-lit LED light lasts up to 30,000 hours

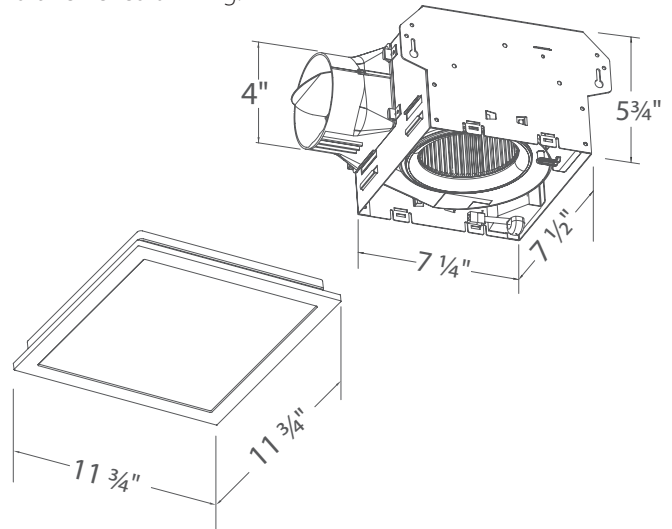
### Warranty

- 3-Year limited warranty

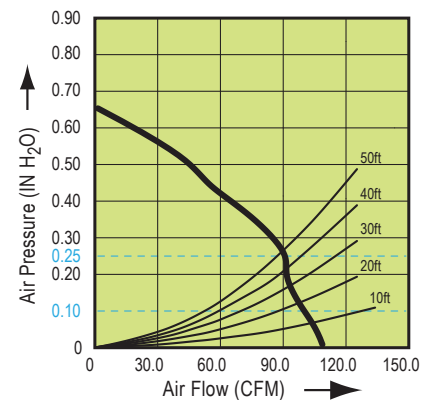
<b>BreezIntegrity ITG100ELED</b>		<b>4" Duct (Standard)</b>	
Static Pressure (Inches w.g.)	0.1	0.25	
Air Flow (CFM)	100	84	
Sones	1.5	2.0	
Power Consumption (Watts)	17.0	20.0	
Energy Efficiency (CFM/Watts)	7.5	5.9	
Current (Amps)	0.47 Max		
Power Rating (V/Hz)	120/60		
LED Light (Watt)	13.0		

### TYPICAL SPECIFICATION

Ventilation fan shall be Breez model ITG100ELED ENERGY STAR qualified with DC brushless motor engineered to run continuously for a minimum 70,000 hours; airflow rating of 100 CFM and loudness rating of 1.5 Sones at 0.1 static pressure as certified by the Home Ventilating Institute (HVI); power consumption of 17.0 Watts with efficiency rating of 7.5 CFM/Watts at 0.1" static pressure; motor lock protection and self-compensating motor speed for intended airflow when static pressure is encountered. UL and cUL listed for tub/shower enclosure when used with GFCI-protected branch circuit wiring.



**ITG100ELED Fan Curve**



Model	Quantity	Comments	Project:
			Location:
			Architect:
			Engineer:
			Contractor:
			Submitted by:
			Date: