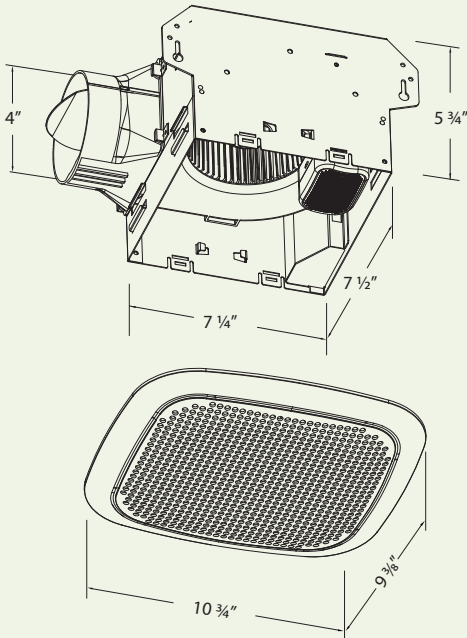




Delta BreezIntegrity Ventilation Fan with Bluetooth Speaker Specifications

ITG70BT
(70 CFM)

Dimensions



The Bluetooth® word mark and logos are registered trademarks owned by Bluetooth SIG, Inc. and any use of such marks by Delta Electronics, Inc. is under license. Other trademarks and trade names are those of their respective owners.

Description

Breez Integrity 70 CFM Fan with Bluetooth® Speaker enables you to enjoy your favorite music, or hear real-time news, weather, traffic, or sports while the energy-efficient fan quietly ventilates your bathroom. Easily pairs with most Bluetooth wireless devices. Quiet operation ventilating fan with low profile, rated for continuous running. Fan has been awarded ENERGY STAR® Most Efficient 2023. It is HVI, UL, and cUL certified, and can be used to comply with ASHRAE 62.2 (local and whole building continuous and intermittent operation).

Motor/Blower

- Power Rating of 120 Volts/60Hz
- DC Brushless motor engineered to run continuously
- Motor equipped with thermal cutoff fuse
- Removable with permanently lubricated plug-in motor

Housing

- Galvanized steel body
- Detachable 4" diameter plastic duct adapter
- Built-in backdraft damper
- Easy installation

Grille

- Attractive design using ABS material
- Attaches directly to housing with torsion springs

Bluetooth Speaker assembly

- Include a Bluetooth 3.0 speaker, 3W and 4 Ohm
- Play audio through most Bluetooth wireless devices

Warranty

- 3-year limited warranty

Features

- For ceiling mount only, airflow of 70CFM (±10%) and 1.0 Sone at 0.1 static pressure
- Power consumption approximately 8.4 Watts with an efficiency rating approximately 10.6 CFM/Watt at 0.1 static pressure
- Duct diameter no less than 4"
- UL and cUL listed for tub/shower enclosure when used with GFCI-protected branch circuit wiring

DC Motor Technology

- Built in soft start function to increase bearings life
- Automatically power OFF when impeller is locked abnormally

Specifications

ITG70BT	4" Duct (Standard)	
Static Pressure (Inches w.g.)	0.1	0.25
Air Flow (CFM)	70	59
Sones	1.0	1.5
Power Consumption (Watts)	8.4	10
Energy Efficiency (CFM/Watt)	10.6	7.2
Current (Amps)	0.20 Max	
Power Rating (V/Hz)	120 / 60	

Fan Curve

