



	<b>Full Speed:</b>	<b>Low Speed:</b>		
	80 CFM/1.5 Sones @ 0.1 SP, 10.0 Watts 60 CFM/1.5 Sones @ 0.25 SP, 12.0 Watts	50 CFM /0.7 Sones@ 0.1 SP, 5.0 Watts 36 CFM /1.0 Sones @ 0.25 SP, 7.0 Watts		

### Description

Low noise ceiling/wall mount ventilating fan with humidity sensor rated for continuous running. Fan has been awarded ENERGY STAR® qualified. It is HVI, UL, and cUL certified, and can be used to comply with ASHRAE 62.2 (local and whole building intermittent operation), CA Title 24, and CALGreen requirements.

### DC Motor/Blower

- Power rating of 120 volts/60Hz
- DC brushless motor engineered to run continuously
- Motor equipped with thermal cutoff fuse
- Removable with permanently lubricated plug-in motor
- Built-in soft start function to increase bearings' life
- Automatically powers off when impeller is locked abnormally

### Housing

- Galvanized steel body
- Detachable 4" diameter plastic duct adapter
- Built-in backdraft damper
- Easy installation

### Grille

- Attractive design using ABS material
- Attaches directly to housing with torsion springs

### LED Indicator

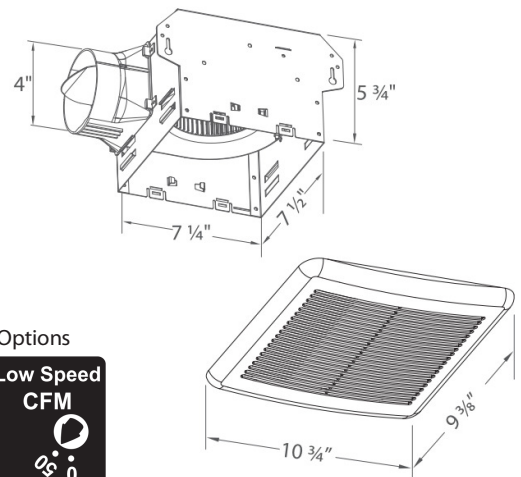
- Blue and amber LED indicator lights to show humidity sensor and full speed modes

### Warranty

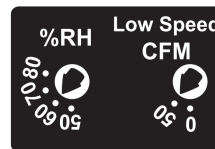
- 3-year limited warranty

### TYPICAL SPECIFICATION

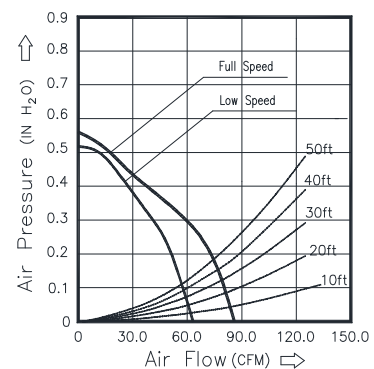
Ventilation fan shall be Delta Breez model ITG80H; ENERGY STAR qualified with DC brushless motor engineered to run continuously for a minimum 70,000 hours; airflow rating of 80 CFM and loudness rating of 1.5 Sones at 0.1 static pressure as certified by the Home Ventilating Institute (HVI); power consumption of not more than 10.0 Watts with efficiency rating of 9.0 CFM/Watt. UL and cUL listed for tub/shower enclosure when used with GFCI-protected branch circuit wiring.



Control Options



Fan Curve



Breez Integrity ITG80H	Continuous low speed		Full speed	
	Static Pressure (inches w.g.)	0.1	0.25	0.1
Air Flow(CFM)	50	36	80	60
Sones	0.7	1.0	1.5	1.5
Power Consumption(Watts)	5.0	7.0	10.0	12.0
Energy Efficiency(CFM/Watt)	12.0	6.9	9.0	6.2
Current(Amps)	0.20 Max			
Power Rating (V/Hz)	120 / 60			

Model	Quantity	Comments	Project:
			Location:
			Architect:
			Engineer:
			Contractor:
			Submitted by:
			Date: