



4" Duct (Standard):
 110 CFM/0.7 Sones @ 0.1 SP, 12.0 Watts
 85 CFM/1.0 Sones @ 0.25 SP, 13.0 Watts



Description

Low noise ceiling mount ventilating fan, light, and heat. Contemporary grille with LED included. UL & cUL listed and Home Ventilating Institute (HVI) certified.

DC Motor/Blower

- Power rating of 120 volts/60Hz
- DC brushless motor engineered to run continuously
- Motor equipped with thermal cutoff fuse
- Removable with permanently lubricated plug-in motor
- Built-in soft start function to increase bearings' life
- Automatically powers OFF when impeller is locked abnormally

Housing

- Galvanized steel body
- Detachable 4" diameter duct adapter
- Built-in backdraft damper

Grille

- Attractive design using PBT material
- Directionally adjustable heater

Light

- 13-Watt LED included
- Light output 850 Lumens, 3000K

Heater

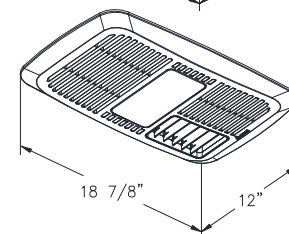
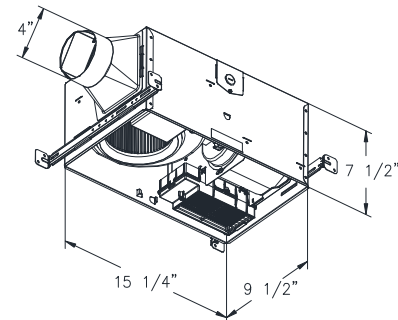
- 1600W PTC Ceramic Heating Element evaluated by UL & cUL for safety standards
- Heater module equipped with thermal cutoff fuse and thermostat
- Easy-Clean filter inside

Warranty

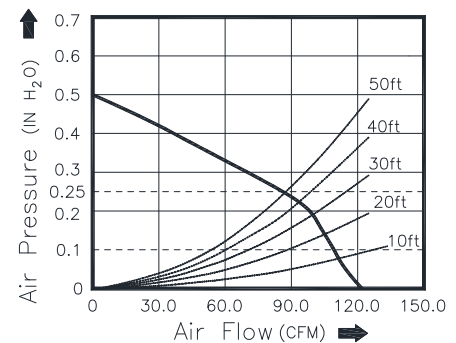
- 3-year limited

TYPICAL SPECIFICATION

Ventilation fan shall be model RAD110LED; brushless DC motor engineered to run continuously for a minimum 70,000 hours; airflow rating of 110 CFM ($\pm 10\%$) and 0.7 Sones at 0.1 static pressure. Power consumption approximately 12.0 Watts with an efficiency rating approximately 11.0 CFM/Watt. Duct diameter no less than 4". Built-in thermostat to regulate temperature. Metal guard to help prevent user contact with PTC. PTC with 1600W and conforms to UL & cUL safety standards. PTC equipped with thermal cutoff fuse and thermostat. Filter can be easily cleaned by users.



Fan Curve



| RAD110LED | 4" Duct (Standard) | |
|-------------------------------|--------------------|------|
| Static Pressure (inches w.g.) | 0.1 | 0.25 |
| Air Flow (CFM) | 110 | 85 |
| Sones | 0.7 | 1.0 |
| Power Consumption (Watts) | 12.0 | 13.0 |
| Energy Efficiency (CFM/Watt) | 11.0 | 7.8 |
| Current (Amps) | 14 | |
| Power Rating (V/Hz) | 120 / 60 | |
| Heating element (Watts) | 1600 | |
| Lamp (Watts) | 13 | |
| Total power (Watts) | 1650 | |

| Model | Quantity | Comments | Project: |
|-------|----------|----------|---------------|
| | | | Location: |
| | | | Architect: |
| | | | Engineer: |
| | | | Contractor: |
| | | | Submitted by: |
| | | | Date: |