

	<p>4" Duct (Standard): 80 CFM/1.5 sones @ 0.1" SP, 11.7 Watts</p>		
--	--	--	--

Description

Low noise ceiling mount ventilating fan with heater. It is cUL listed and Home Ventilating institute (HVI) certified.

DC Motor/Blower

- Power rating of 120 volts/60Hz
- DC brushless motor engineered to run continuously
- Motor equipped with thermal cutoff fuse
- Removable with permanently lubricated plug-in motor
- Built-in soft start function increases bearing life
- Automatically powers OFF if impeller is locked abnormally

Housing

- Galvanized steel body
- Detachable 4" diameter duct adapter
- Built-in backdraft damper
- Easy installation

Grille

- Attractive design using PBT material. White color.
- Attaches directly to housing with torsion springs

Heater

- 1300W heating element evaluated by cUL for safety standards
- Heater module equipped with thermal cutoff fuse and thermostat

Warranty

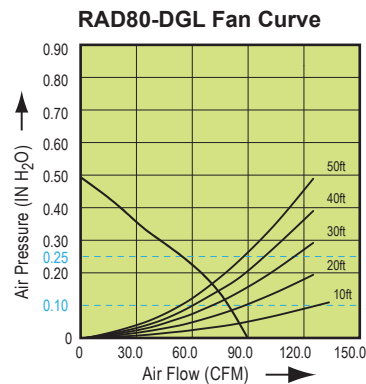
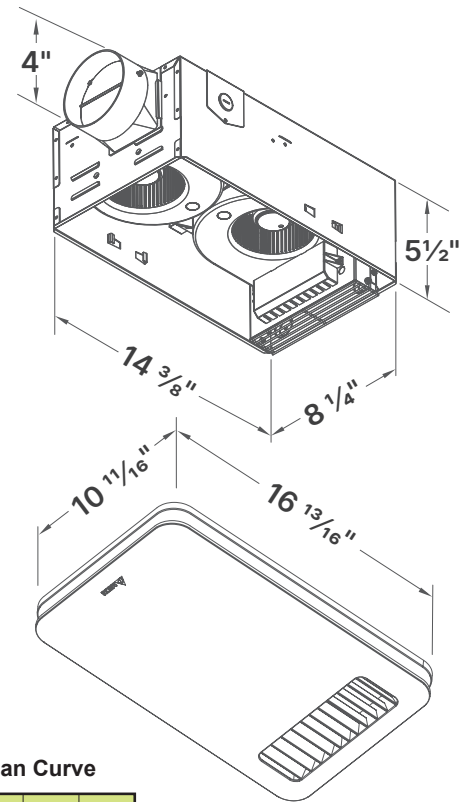
- 3-Year limited warranty

TYPICAL SPECIFICATION

Ventilation fan shall be model RAD80-DGL; brushless DC motor engineered to run continuously for a minimum 70,000 hours; airflow rating of 80 CFM (±10%) and 1.5 Sones at

BreezRadiance RAD80-DGL	4" Duct Standard
Static Pressure (Inches w.g.)	0.1
Air Flow (CFM)	80
Sones	1.5
Power Consumption (Watts)	11.7
Energy Efficiency (CFM/Watts)	7.0
Current (Amps)	11
Power Rating (V/Hz)	120 / 60
Heating element (Watts)	1300
Total power (Watts)	1314

0.1 static pressure. Power consumption approximately 11.7 Watts with an efficiency rating approximately 7.0 CFM/Watt. Duct diameter no less than 4" Built-in thermostat to regulate temperature. Metal guard to help prevent user contact with heating wire. Heater element with 1300W and conforms to cUL safety standards. Heater module equipped with thermal cutoff fuse and thermostat.



Models	Quantity	Comments	Project:
			Location:
			Architect:
			Engineer:
			Contractor:
			Submitted by:
			Date: