

	<p>4" Duct (Standard): 80 CFM/1.5 sones @ 0.1" SP, 11.7 Watts</p>		
--	--	--	--

Description

Low noise ceiling mount ventilating fan, light, and heat. Contemporary grille with LED included. cUL listed and Home Ventilating institute (HVI) certified.

DC Motor/Blower

- Power rating of 120 volts/60Hz
- DC brushless motor engineered to run continuously
- Motor equipped with thermal cutoff fuse
- Removable with permanently lubricated plug-in motor
- Built-in soft start function increases bearing life
- Automatically powers OFF if impeller is locked abnormally

Housing

- Galvanized steel body
- Detachable 4" diameter duct adapter
- Built-in backdraft damper
- Easy installation

Grille

- Attractive design using PBT material. White color
- Attaches directly to housing with torsion springs

Light

- (1)13-Watt LED included.
- Light output 850Lumens, 90CRI, 3000K
- Dimmable Lighting(dimmer switch not included)

Heater

- 1300W heating element evaluated by cUL for safety standards
- Heater module equipped with thermal cutoff fuse and thermostat

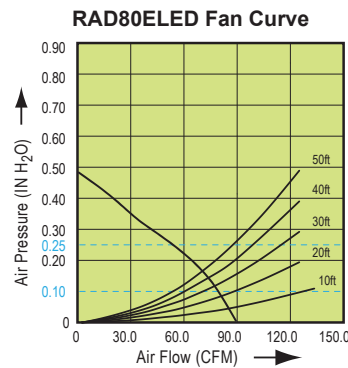
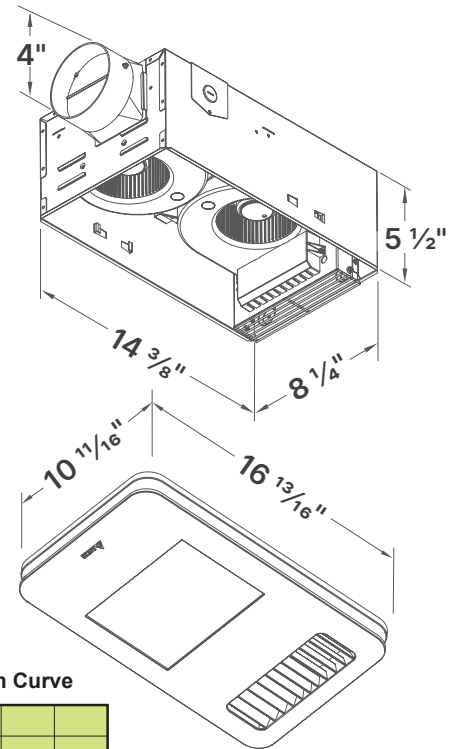
Warranty

- 3-Year limited warranty

BreezRadiance RAD80ELED	4" Duct Standard
Static Pressure (Inches w.g.)	0.1
Air Flow (CFM)	80
Sones	1.5
Power Consumption (Watts)	11.7
Energy Efficiency (CFM/Watts)	7.0
Current (Amps)	11
Power Rating (V/Hz)	120 / 60
Heating element (Watts)	1300
LED (Watts)	13
Total power (Watts)	1327

TYPICAL SPECIFICATION

Ventilation fan shall be model RAD80ELED; brushless DC motor engineered to run continuously for a minimum 70,000 hours; airflow rating of 80 CFM (±10%) and 1.5 sones at 0.1 static pressure. Power consumption approximately 11.7 Watts with an efficiency rating approximately 7.0 CFM/Watt. Duct diameter no less than 4" Built-in thermostat to regulate temperature. Metal guard to help prevent user contact with heating wire. Heater element with 1300W and conforms to cUL safety standards. Heater module equipped with thermal cutoff fuse and thermostat.



Models	Quantity	Comments	Project:
			Location:
			Architect:
			Engineer:
			Contractor:
			Submitted by:
			Date: