



(Fan/Dimmable LED Light/Night-Light with Dual Speed – 80/110 CFM)

	Full Speed:	Full Speed:		
	80 CFM/<0.3 Sones @ 0.1" SP, 6.8 Watts 80 CFM/0.5 Sones @ 0.25" SP, 9.9 Watts	110 CFM/<0.3 Sones @ 0.1" SP, 9.7 Watts 110 CFM/0.8 Sones @ 0.25" SP, 15.5 Watts		

Description

Low noise ceiling mount ventilating fan/dimmable LED light/night-light dual speed rated for continuous running. Fan has been awarded ENERGY STAR® Most Efficient. It is HVI, UL, and cUL certified to comply with ASHRAE 62.2 local and whole building continuous and intermittent operation. Meets CA Title 24 requirements

DC Motor/Blower

- Power rating of 120 volts/60Hz
- Brushless DC motor engineered to run continuously
- Motor equipped with thermal cutoff fuse
- Removable with permanently lubricated plug-in motor
- Full speed adjustable, 80 or 110 CFM
- Allows fan to operate in full speed mode or continuous low speed mode by manual switch
- For continuous low speed mode, the fan runs continuously at a user-preset lower level (0, 30, 50, 60, or 80 CFM)
- Delay time preset positions (0.5, 5, 15, 30, 45, or 60 min)
- Built-in soft start function increases bearing life
- Automatically powers OFF if impeller is locked abnormally
- Self-compensating motor speed for intended airflow when static pressure is encountered

Housing

- Galvanized steel body
- Detachable 6" diameter metal duct adapter
- Includes 6" to 4" duct reducer
- Built-in backdraft damper
- Easy installation with expandable extension bracket

Grille

- Attractive design using ABS material
- Attaches directly to housing with torsion springs
- White

Light

- (1) 13-Watt LED main light included (equivalent to a 60-Watt incandescent bulb)
- (1) 2-Watt LED night-light included
- Main light output: 950 Lumens, 3000K, and 90 CRI LED Indicator

LED Indicator

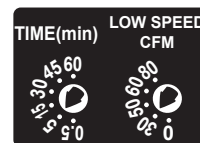
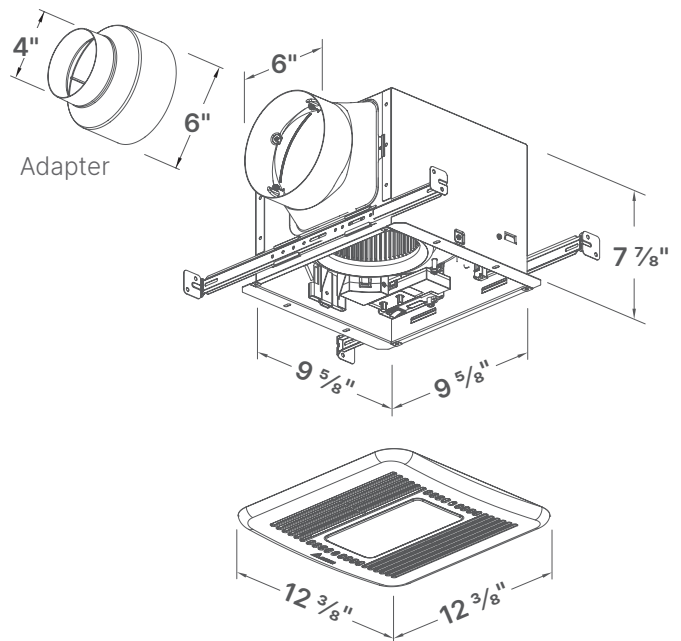
- Green and amber LED indicator lights show continuous low speed and full speed modes

Warranty

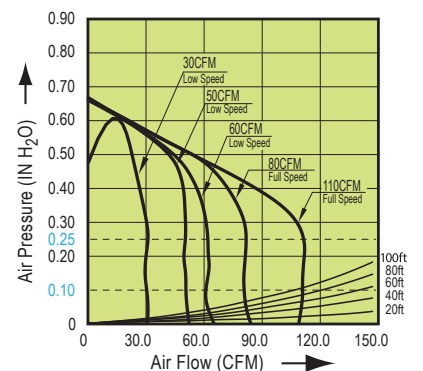
- 3-Year limited warranty

TYPICAL SPECIFICATION

Ventilation fan shall be Delta Breez model SIG80-110DLED; ENERGY STAR qualified with Brushless DC Motor engineered to run continuously for a minimum 70,000 hours; airflow rating of 110 CFM and loudness rating of <0.3 Sones at 0.1" static pressure as certified by the Home Ventilating Institute (HVI); power consumption of 9.7 Watts with efficiency rating of 12.7 CFM/Watt at 0.1" static pressure; fan will feature motor lock protection and self-compensating motor speed for intended airflow when static pressure is encountered. UL and cUL listed for tub/shower enclosure when used with GFCI-protected branch circuit wiring.



SIG80-110DLED Fan Curve





(Fan/Dimmable LED Light/Night-Light with Dual Speed – 80/110 CFM)

	Full Speed: 80 CFM/<0.3 Sones @ 0.1" SP, 6.8 Watts 80 CFM/0.5 Sones @ 0.25" SP, 9.9 Watts	Full Speed: 110 CFM/<0.3 Sones @ 0.1" SP, 9.7 Watts 110 CFM/0.8 Sones @ 0.25" SP, 15.5 Watts		
--	--	---	--	--

BreezSignature SIG80-110DLED										
6" Duct Standard										
Fan Speed	Continuous Low Speed						Full Speed			
Static Pressure (Inches w.g.)	0.1	0.25	0.1	0.25	0.1	0.25	0.1	0.25	0.1	0.25
Air Flow (CFM)	30	30	50	50	60	60	80	80	110	110
Sones	<0.3	<0.3	<0.3	<0.3	<0.3	0.3	<0.3	0.5	<0.3	0.8
Power Consumption (Watts)	4.4	6.7	5.2	8.2	5.6	8.7	6.8	9.9	9.7	15.5
Energy Efficiency (CFM/Watts)	9.5	5.8	12.3	7.1	13.2	8.0	13.8	8.4	12.7	8.0
Current (Amps)	0.48 Max									
Power Rating (V/Hz)	120/60									
LED Main Light (Watts)	13									
LED Night Light (Watts)	2									

BreezSignature SIG80-110DLED										
6" Duct Standard										
Fan Speed	Continuous Low Speed						Full Speed			
Static Pressure (Inches w.g.)	0.1	0.25	0.1	0.25	0.1	0.25	0.1	0.25	0.1	0.25
Air Flow (CFM)	30	30	50	50	60	58	80	80	110	106
Sones	<0.3	<0.3	<0.3	0.5	<0.3	0.8	<0.3	1.2	1.0	2.0
Power Consumption (Watts)	4.5	7.1	5.4	8.2	6.3	9.5	7.8	12.5	13.5	18.0
Energy Efficiency (CFM/Watts)	9.1	6.0	11.7	7.1	12.2	7.3	12.2	7.5	9.3	6.5
Current (Amps)	0.48 Max									
Power Rating (V/Hz)	120/60									
LED Main Light (Watts)	13									
LED Night Light (Watts)	2									

Models	Quantity	Comments	Project:
			Location:
			Architect:
			Engineer:
			Contractor:
			Submitted by:
			Date: