



(Fan/Dimmable LED Light/Night-Light with Humidity Sensor – 80/110 CFM)

| | | | | |
|--|--|---|--|--|
| | Full Speed: | Full Speed: | | |
| | 80 CFM/<0.3 Sones @ 0.1" SP, 6.8 Watts 80 CFM/0.5 Sones @ 0.25" SP, 9.9 Watts | 110 CFM/<0.3 Sones @ 0.1" SP, 9.7 Watts 110 CFM/0.8 Sones @ 0.25" SP, 15.5 Watts | | |

Description

Low noise ceiling mount ventilating fan/dimmable LED light/night-light with humidity sensor rated for continuous running. Fan has been awarded ENERGY STAR® Most Efficient. It is HVI, UL, and cUL certified to comply with ASHRAE 62.2 local and whole building continuous and intermittent operation. Meets CA Title 24 requirements

DC Motor/Blower

- Power rating of 120 volts/60Hz
- Brushless DC motor engineered to run continuously
- Motor equipped with thermal cutoff fuse
- Removable with permanently lubricated plug-in motor
- Full speed adjustable, 80 or 110 CFM
- For humidity control mode, when humidity is above the user-adjustable set-point, fan runs at full speed. When humidity is below the set-point, the fan runs continuously at a pre-set lower level (0, 30, 50, 60, or 80 CFM)
- Adjustable humidity set points between ~50% to ~90% RH
- Built-in soft start function increases bearing life
- Automatically powers OFF if impeller is locked abnormally
- Self-compensating motor speed for intended airflow when static pressure is encountered

Housing

- Galvanized steel body
- Detachable 6" diameter metal duct adapter
- Includes 6" to 4" duct reducer
- Built-in backdraft damper
- Easy installation with expandable extension bracket

Grille

- Attractive design using ABS material
- Attaches directly to housing with torsion springs
- White

Light

- (1) 13-Watt LED main light included (equivalent to a 60-Watt incandescent bulb)
- (1) 2-Watt LED night-light included
- Main light output: 950 Lumens, 3000K, and 90 CRI LED Indicator

LED Indicator

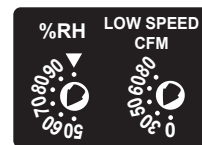
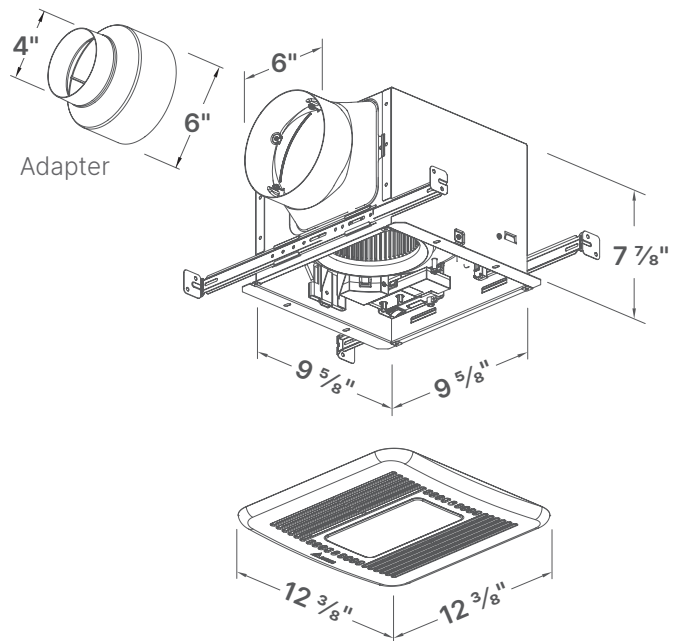
- Blue and amber LED indicator lights to show humidity sensor, continuous low speed and full speed modes

Warranty

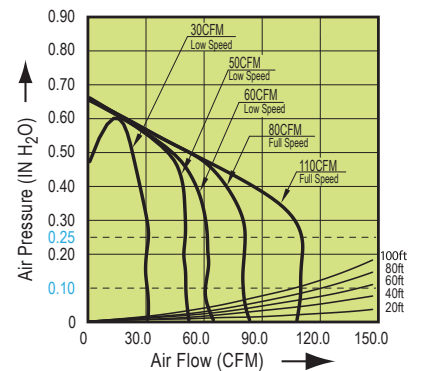
- 3-Year limited warranty

TYPICAL SPECIFICATION

Ventilation fan shall be Delta Breez model SIG80-110HLED; ENERGY STAR qualified with Brushless DC Motor engineered to run continuously for a minimum 70,000 hours; airflow rating of 110 CFM and loudness rating of <0.3 Sones at 0.1" static pressure as certified by the Home Ventilating Institute (HVI); power consumption of 9.7 Watts with efficiency rating of 12.7 CFM/Watt at 0.1" static pressure; fan will feature motor lock protection and self-compensating motor speed for intended airflow when static pressure is encountered. UL and cUL listed for tub/shower enclosure when used with GFCI-protected branch circuit wiring.



SIG80-110HLED Fan Curve





(Fan/Dimmable LED Light/Night-Light with Humidity Sensor – 80/110 CFM)

| | | | | |
|--|--|---|--|--|
| | Full Speed: 80 CFM/<0.3 Sones @ 0.1" SP, 6.8 Watts 80 CFM/0.5 Sones @ 0.25" SP, 9.9 Watts | Full Speed: 110 CFM/<0.3 Sones @ 0.1" SP, 9.7 Watts 110 CFM/0.8 Sones @ 0.25" SP, 15.5 Watts | | |
|--|--|---|--|--|

| BreezSignature SIG80-110HLED | | | | | | | | | | |
|-------------------------------------|----------------------|------|------|------|------|------|------------|------|------|------|
| 6" Duct Standard | | | | | | | | | | |
| Fan Speed | Continuous Low Speed | | | | | | Full Speed | | | |
| Static Pressure (Inches w.g.) | 0.1 | 0.25 | 0.1 | 0.25 | 0.1 | 0.25 | 0.1 | 0.25 | 0.1 | 0.25 |
| Air Flow (CFM) | 30 | 30 | 50 | 50 | 60 | 60 | 80 | 80 | 110 | 110 |
| Sones | <0.3 | <0.3 | <0.3 | <0.3 | <0.3 | 0.3 | <0.3 | 0.5 | <0.3 | 0.8 |
| Power Consumption (Watts) | 4.4 | 6.7 | 5.2 | 8.2 | 5.6 | 8.7 | 6.8 | 9.9 | 9.7 | 15.5 |
| Energy Efficiency (CFM/Watts) | 9.5 | 5.8 | 12.3 | 7.1 | 13.2 | 8.0 | 13.8 | 8.4 | 12.7 | 8.0 |
| Current (Amps) | 0.48 Max | | | | | | | | | |
| Power Rating (V/Hz) | 120/60 | | | | | | | | | |
| LED Main Light (Watts) | 13 | | | | | | | | | |
| LED Night Light (Watts) | 2 | | | | | | | | | |

| BreezSignature SIG80-110HLED | | | | | | | | | | |
|-------------------------------------|----------------------|------|------|------|------|------|------------|------|------|------|
| 4" Duct Standard | | | | | | | | | | |
| Fan Speed | Continuous Low Speed | | | | | | Full Speed | | | |
| Static Pressure (Inches w.g.) | 0.1 | 0.25 | 0.1 | 0.25 | 0.1 | 0.25 | 0.1 | 0.25 | 0.1 | 0.25 |
| Air Flow (CFM) | 30 | 30 | 50 | 50 | 60 | 58 | 80 | 80 | 110 | 106 |
| Sones | <0.3 | <0.3 | <0.3 | 0.5 | <0.3 | 0.8 | <0.3 | 1.2 | 1.0 | 2.0 |
| Power Consumption (Watts) | 4.5 | 7.1 | 5.4 | 8.2 | 6.3 | 9.5 | 7.8 | 12.5 | 13.5 | 18.0 |
| Energy Efficiency (CFM/Watts) | 9.1 | 6.0 | 11.7 | 7.1 | 12.2 | 7.3 | 12.2 | 7.5 | 9.3 | 6.5 |
| Current (Amps) | 0.48 Max | | | | | | | | | |
| Power Rating (V/Hz) | 120/60 | | | | | | | | | |
| LED Main Light (Watts) | 13 | | | | | | | | | |
| LED Night Light (Watts) | 2 | | | | | | | | | |

| Models | Quantity | Comments | Project: |
|--------|----------|----------|---------------|
| | | | Location: |
| | | | Architect: |
| | | | Engineer: |
| | | | Contractor: |
| | | | Submitted by: |
| | | | Date: |